



DANGER

Danger of electrical shock, burns or death. Always remove all power sources before attempting any repair, service or diagnostic work. Power can be present from shore power, generator, inverter or battery. All power sources must be disabled and secured before performing any service.



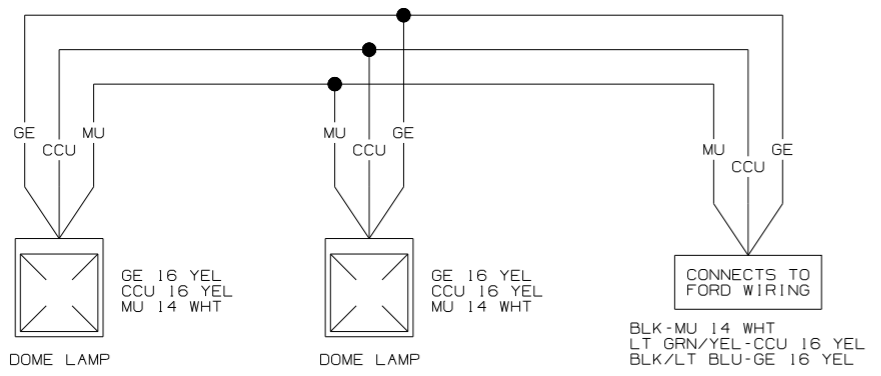
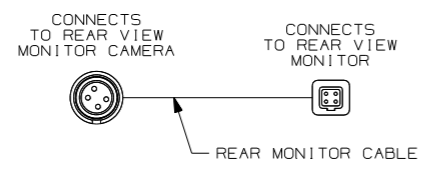
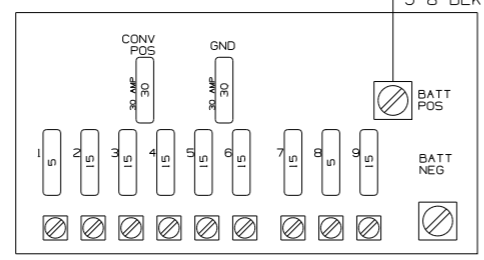
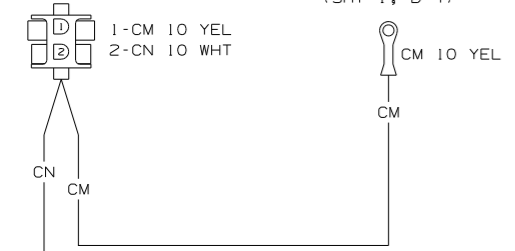
CAUTION

If you lack the skills, tools or equipment to perform diagnostic or repair work leave such work to an authorized Winnebago Industries dealer or other qualified shop.

CONNECTS TO WIRE ASM-COACH (SHT 2, C-1) (LOCATED IN GALLEY CABT BEHIND LOAD CENTER)

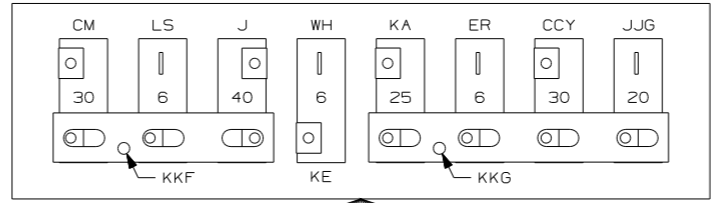
CONNECTS TO CIRCUIT BREAKER INVERTER (SHT 1, D-4)

CONNECTS TO CIRCUIT BREAKER COACH POWER (SHT 1, D-4)

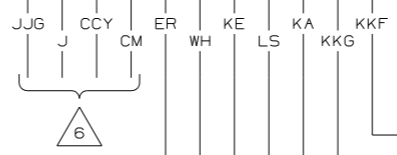


WIRING DIAGRAM-CHASSIS (WIRE ASM 151140 REV-C)

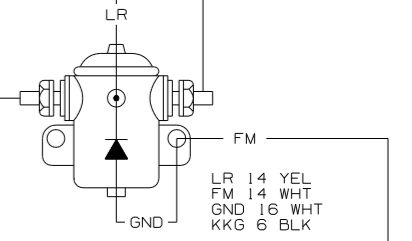
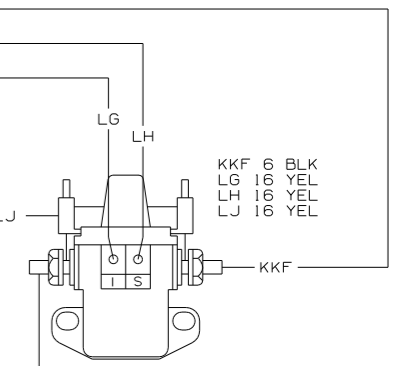
CHASSIS ELECTRICAL BOX



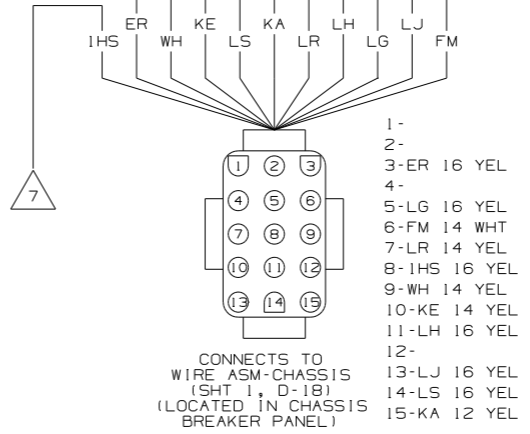
- CM 10 YEL
- LS 16 YEL
- J 8 BLK
- WH 14 YEL
- KA 12 YEL
- ER 16 YEL
- CCY 10 YEL
- JJG 12 YEL
- KKF 6 BLK
- KE 14 YEL
- KKG 6 BLK



REV/DATE	A	DWG NO	151145
REV ZONE		REVISION RECORD	DATE DFR-0R16



WIRING DIAGRAM-ELECTRICAL BOX (WIRE ASM 124125-04 REV-L)



- 1-
- 2-
- 3-ER 16 YEL
- 4-
- 5-LG 16 YEL
- 6-FM 14 WHT
- 7-LR 14 YEL
- 8-IHS 16 YEL
- 9-WH 14 YEL
- 10-KE 14 YEL
- 11-LH 16 YEL
- 12-
- 13-LJ 16 YEL
- 14-LS 16 YEL
- 15-KA 12 YEL

CONNECTS TO WIRE ASM-CHASSIS (SHT 1, D-18) (LOCATED IN CHASSIS BREAKER PANEL)

WINNEBAGO		COPYRIGHT 2004 WINNEBAGO INDUSTRIES, INC.	
DFTR	ORIG. DATE	ALL DIMENSIONS ARE IN MILLIMETERS	
CHR		M.E.	
P.E.		FIRST USED	
M.E.		05 327L	
DSNR		UNSPECIFIED TOLERANCES ARE:	
		MATERIAL:	
		WHOLE DIM (XX) :	
		ONE-PLACE (X.X) :	
		TWO-PLACE (X.XX) :	
		ANGLE :	
		THIRD ANGLE PROJECTION	
DO NOT SCALE DRAWING			
TITLE: WIRING DIAGRAM-BODY, 12V			
SHEET 1 of 6	PART NO	151145	

CONNECTS TO FORD RUN ONLY CIRCUIT (WHT/PUR WIRE)

CONNECTS TO BATTERY DISCONNECT SWITCH

CONNECTS TO SLIDEOUT RELAY

CONNECTS TO SLIDEOUT SWITCH

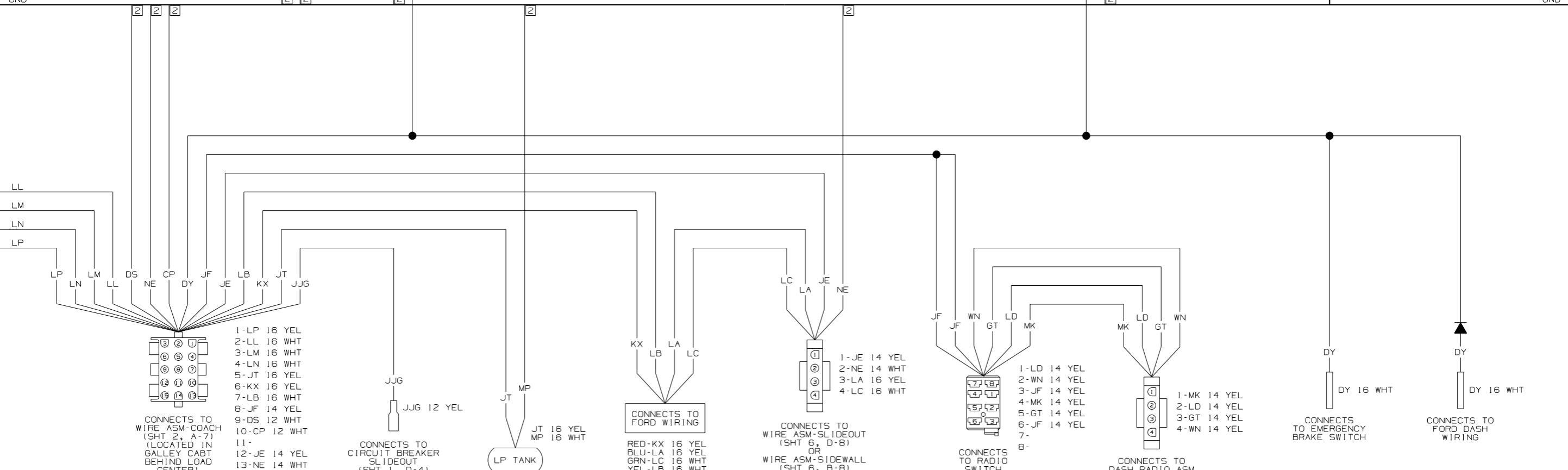
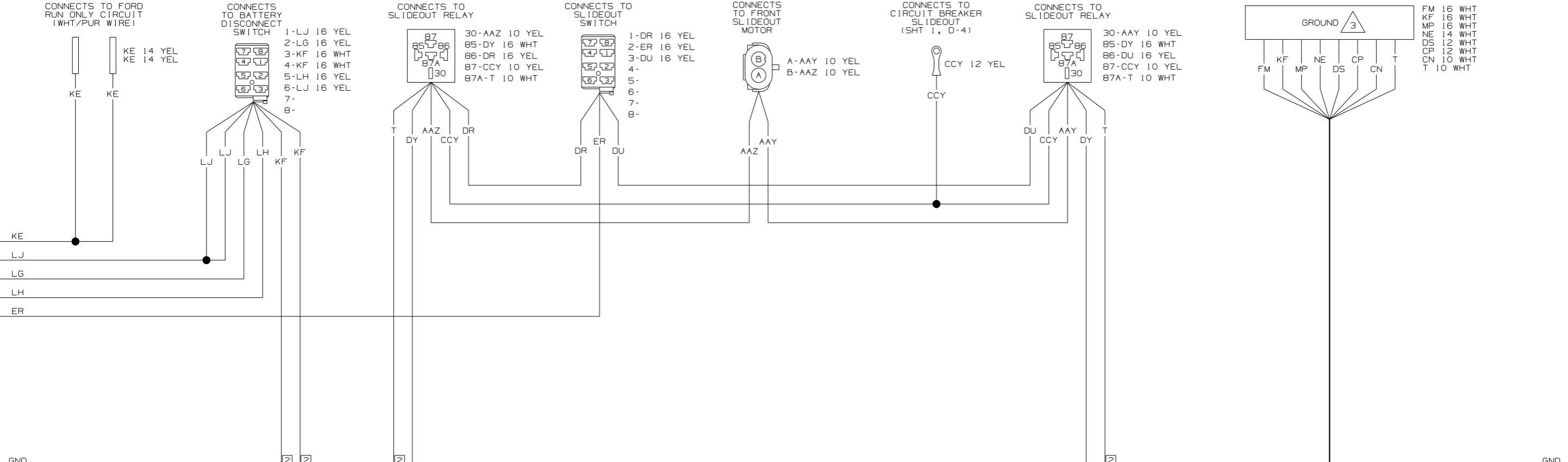
CONNECTS TO FRONT SLIDEOUT MOTOR

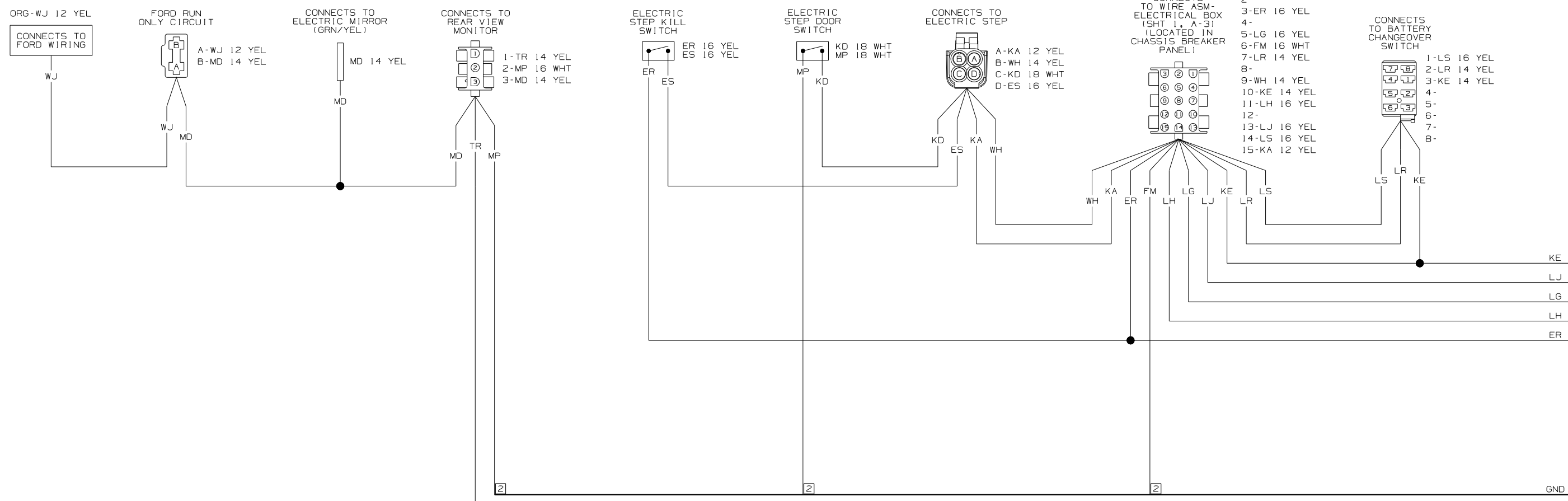
CONNECTS TO CIRCUIT BREAKER SLIDEOUT (SHT 1, D-4)

CONNECTS TO SLIDEOUT RELAY

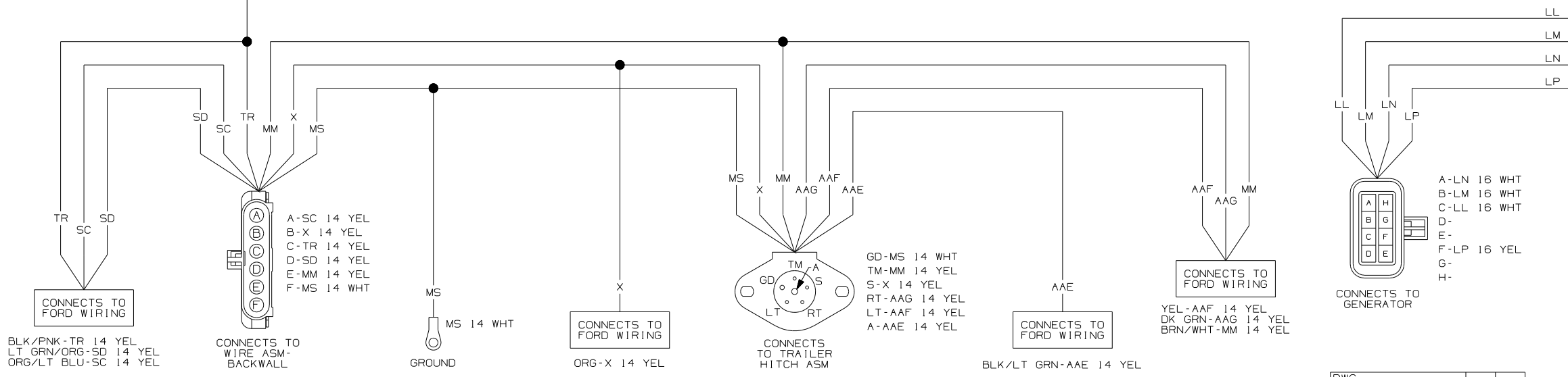
GROUND 3

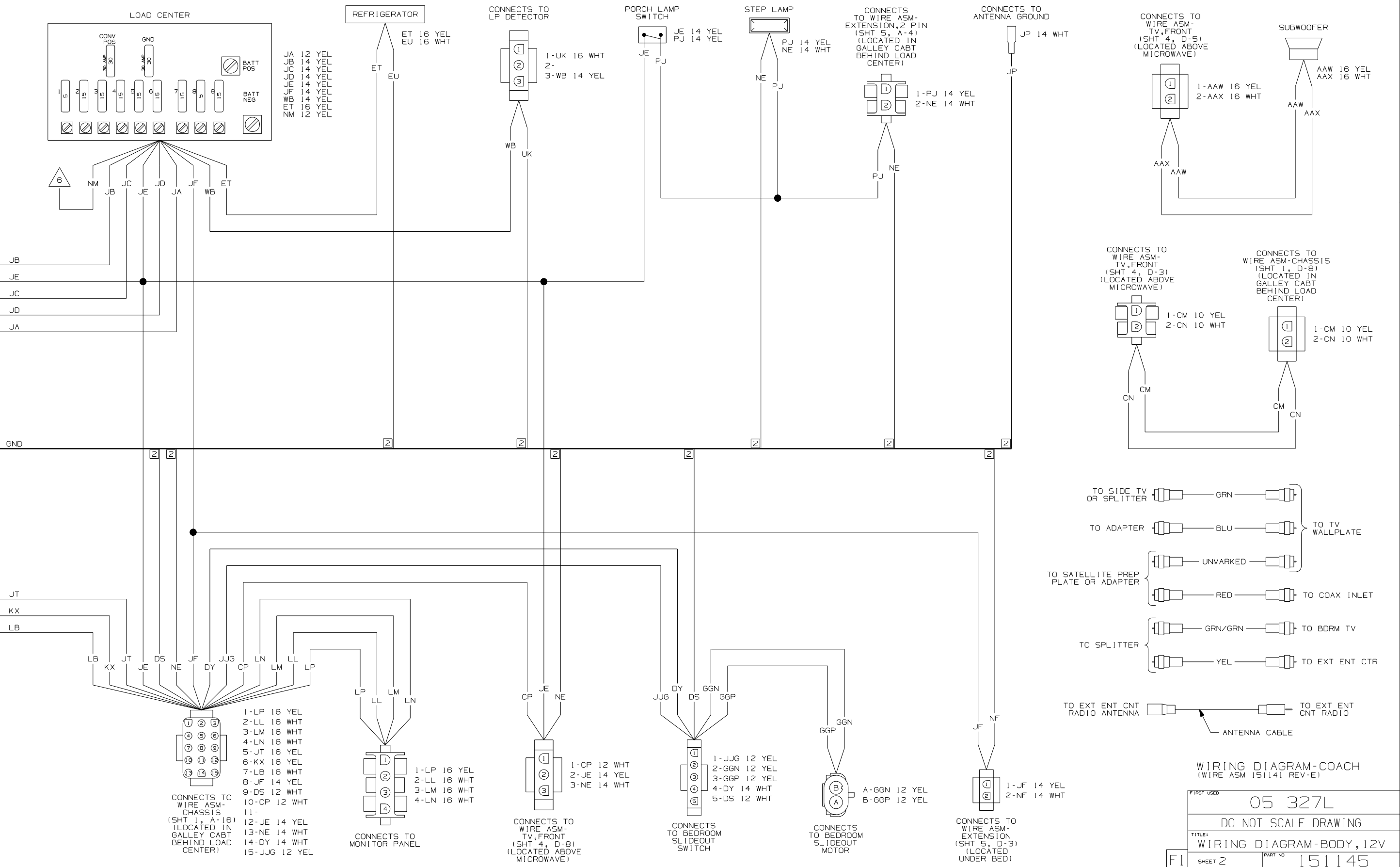
FM 16 WHT
 KF 16 WHT
 MP 16 WHT
 NE 14 WHT
 DS 12 WHT
 CP 12 WHT
 CN 10 WHT
 T 10 WHT





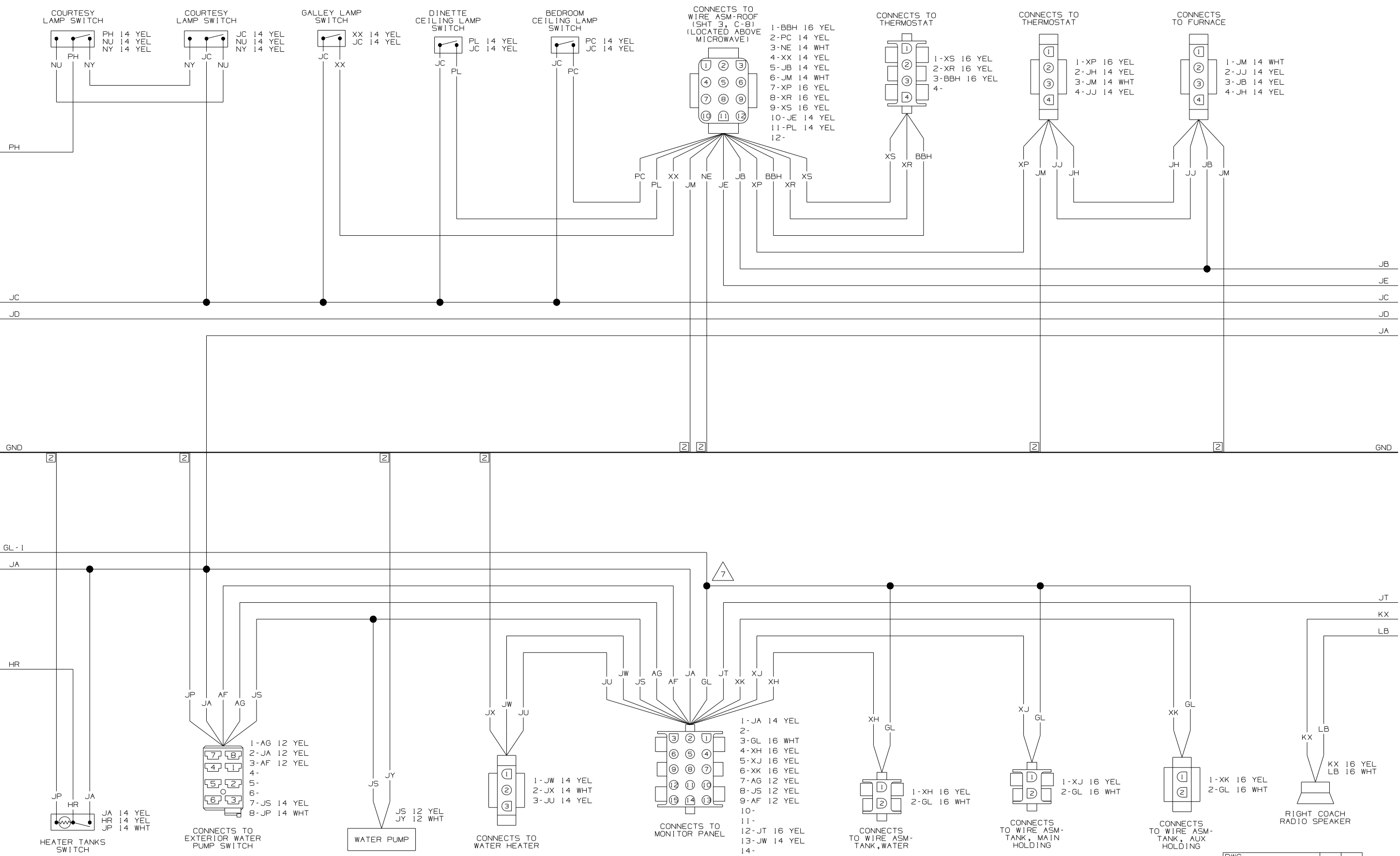
- 5 SEE WIRING DIAGRAM-AUTO FOR ADDITIONAL INFORMATION.
- 4 SEE MANUFACTURERS DIAGRAM FOR ADDITIONAL INFORMATION.
- 3 GROUNDS ARE SHOWN AS A SINGLE LINE FOR EASE IN TRACING. EACH GROUND CIRCUIT IS SEPERATE IN THE HARNESS.
- 2 NOT A SPLICE POINT. INDICATES ENTRY INTO WIRING HARNESS.
1. SPLICES ARE THEORETICAL AND MAY DIFFER IN THE HARNESS.

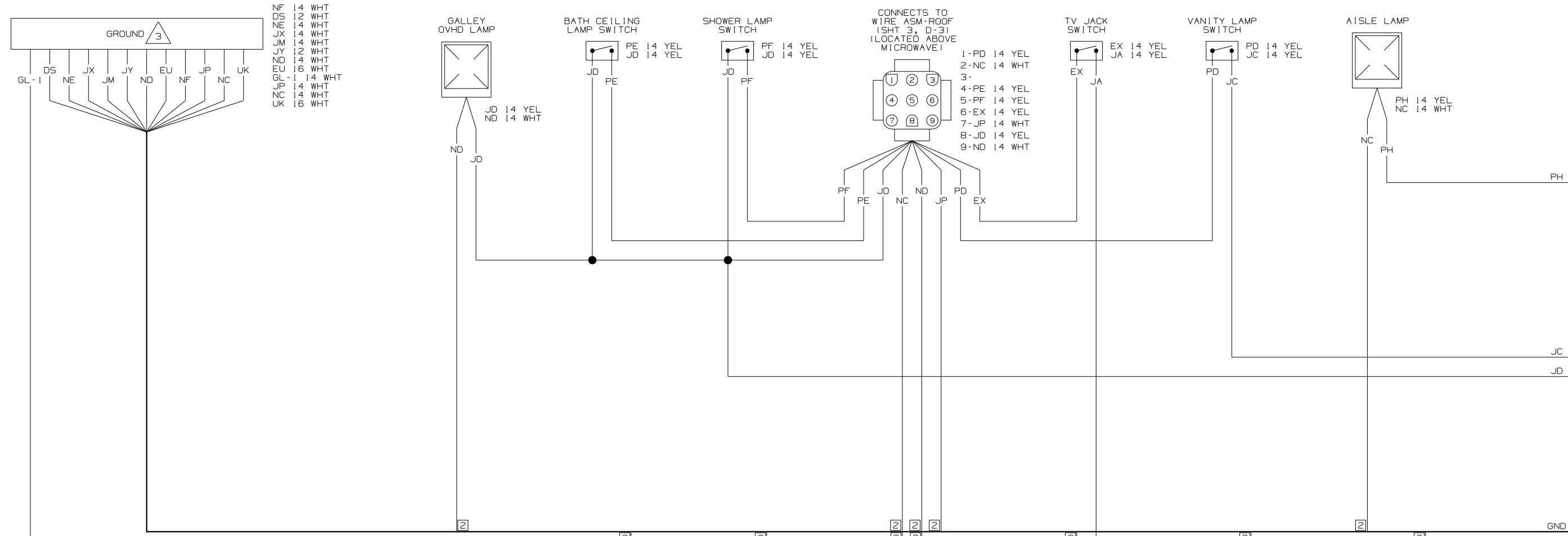




WIRING DIAGRAM-COACH (WIRE ASM 151141 REV-E)

FIRST USED	05 327L	
DO NOT SCALE DRAWING		
TITLE	WIRING DIAGRAM-BODY, 12V	
SHEET 2	PART NO	151145





- NF 14 WHT
- DS 12 WHT
- NE 14 WHT
- JX 14 WHT
- JM 14 WHT
- JY 12 WHT
- ND 14 WHT
- EU 16 WHT
- GL-1 14 WHT
- JP 14 WHT
- NC 14 WHT
- UK 16 WHT

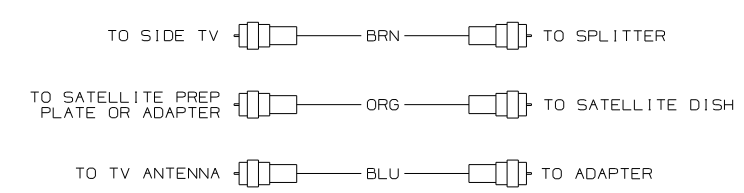
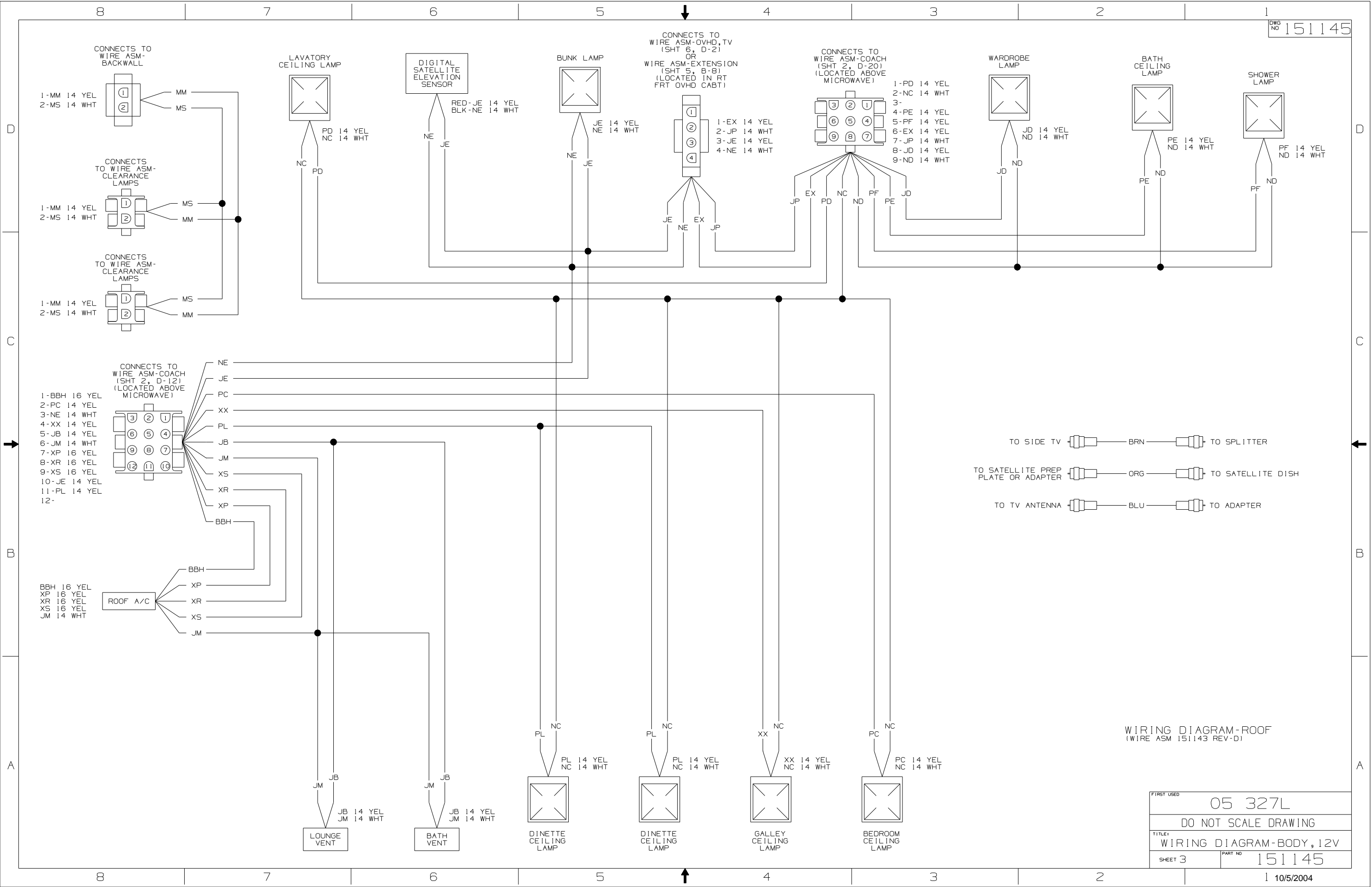
- CONNECTS TO WIRE ASM-ROOF (SHT 3, D-3) (LOCATED ABOVE MICROWAVE)
- 1-PD 14 YEL
 - 2-NC 14 WHT
 - 3-
 - 4-PE 14 YEL
 - 5-PF 14 YEL
 - 6-EX 14 YEL
 - 7-JP 14 WHT
 - 8-JD 14 YEL
 - 9-ND 14 WHT

- 1-JA 14 YEL
- 2-JP 14 WHT
- 3-JP 14 WHT

- 1-JA 14 YEL
- 2-JP 14 WHT

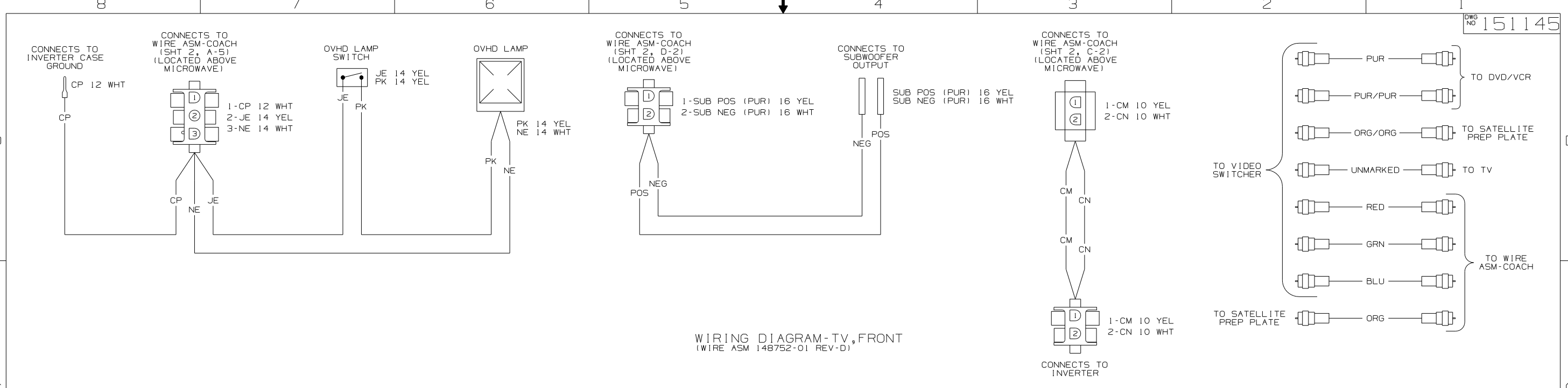
- 1-HR 14 YEL
- 2-JP 14 WHT

- 7 GL AND GL-1 ARE TO BE SPLICED TOGETHER 100MM AWAY FROM MONITOR PANEL HOUSING FOR ISOLATION PURPOSES.
- 6 CIRCUIT IS FROM WIRE ASM-HEATER, RELAY.
- 5 SEE WIRING DIAGRAM-AUTO FOR ADDITIONAL INFORMATION.
- 4 SEE MANUFACTURERS DIAGRAM FOR ADDITIONAL INFORMATION.
- 3 GROUNDS ARE SHOWN AS A SINGLE LINE FOR EASE IN TRACING. EACH GROUND CIRCUIT IS SEPERATE IN THE HARNESS.
- 2 NOT A SPLICE POINT. INDICATES ENTRY INTO WIRING HARNESS.
1. SPLICES ARE THEORETICAL AND MAY DIFFER IN THE HARNESS.

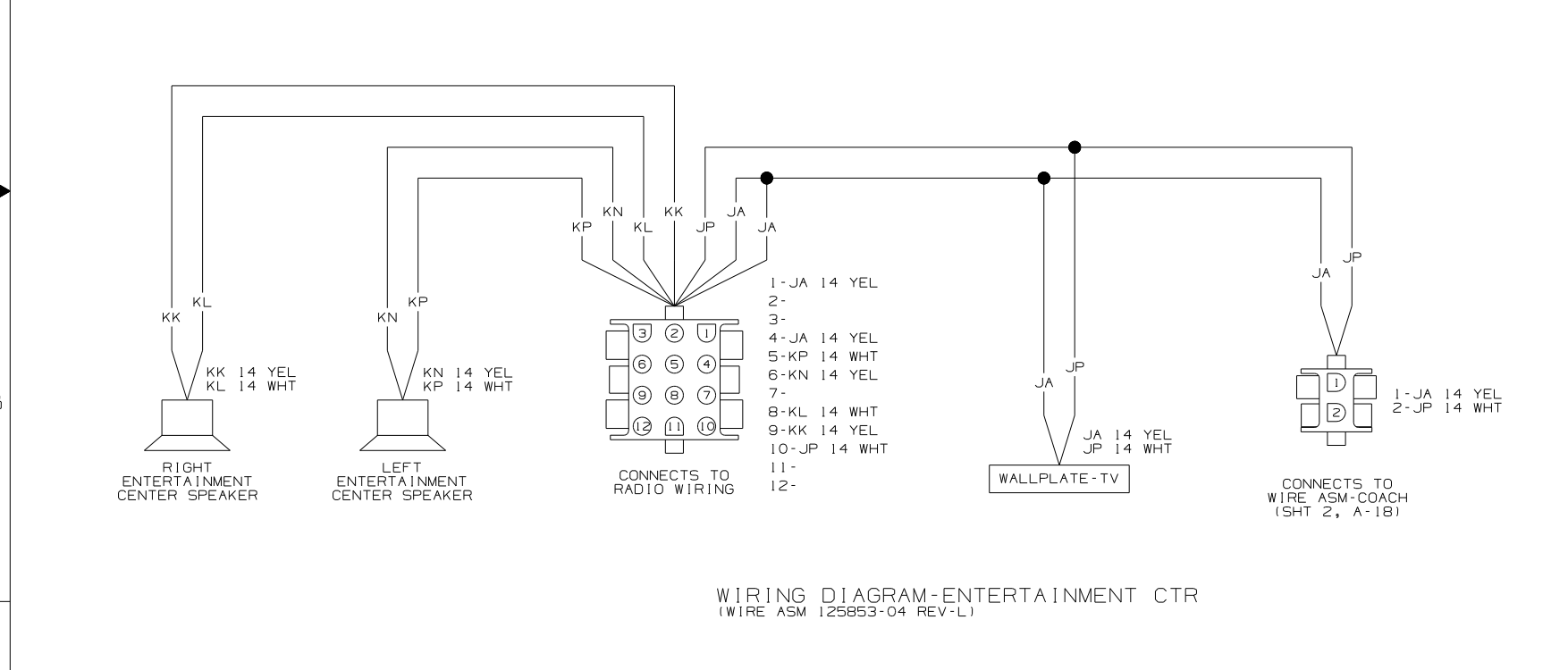


WIRING DIAGRAM-ROOF
(WIRE ASM 151143 REV-D)

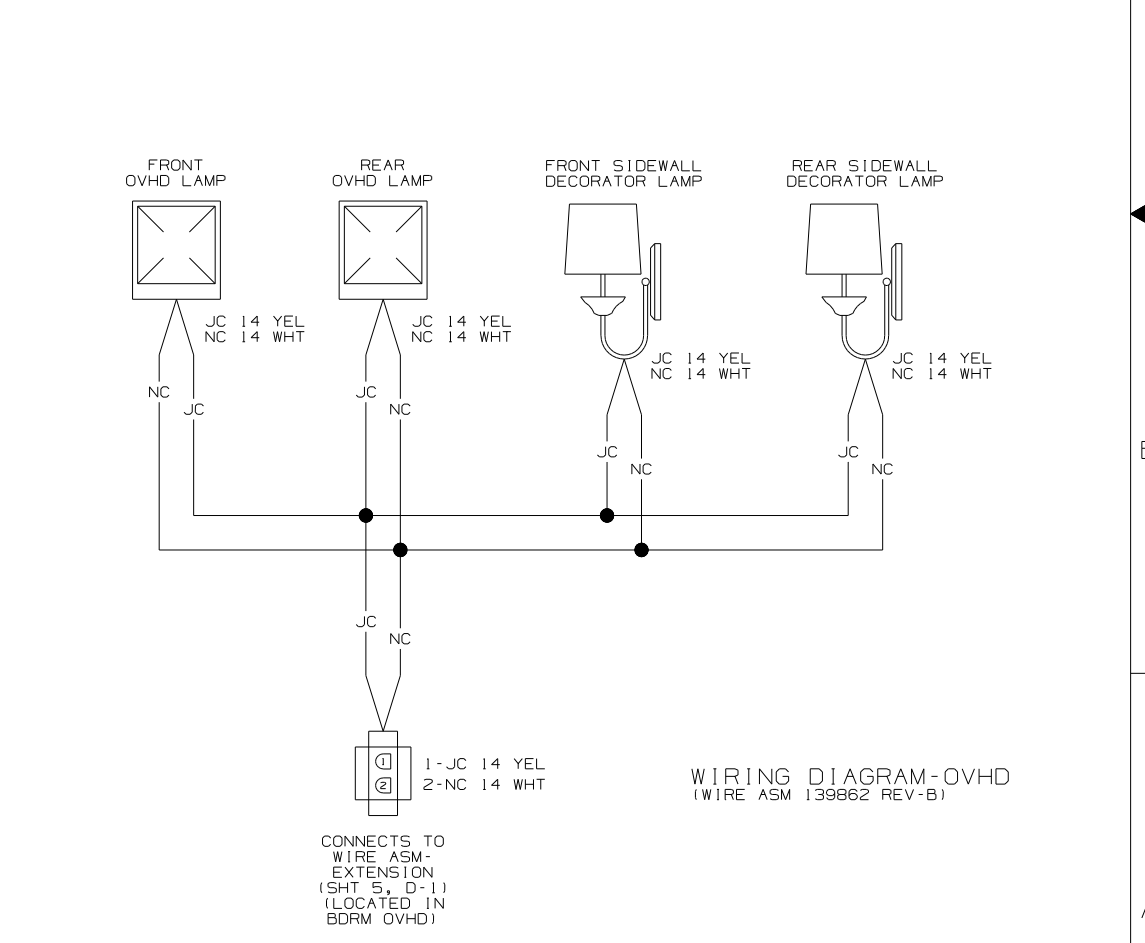
FIRST USED	05 327L
DO NOT SCALE DRAWING	
TITLE: WIRING DIAGRAM-BODY, 12V	
SHEET 3	PART NO 151145



WIRING DIAGRAM-TV, FRONT
(WIRE ASM 148752-01 REV-D)



WIRING DIAGRAM-ENTERTAINMENT CTR
(WIRE ASM 125853-04 REV-L)



WIRING DIAGRAM-OVHD
(WIRE ASM 139862 REV-B)

FIRST USED	05 327L
DO NOT SCALE DRAWING	
TITLE:	WIRING DIAGRAM-BODY, 12V
SHEET 4	PART NO 151145

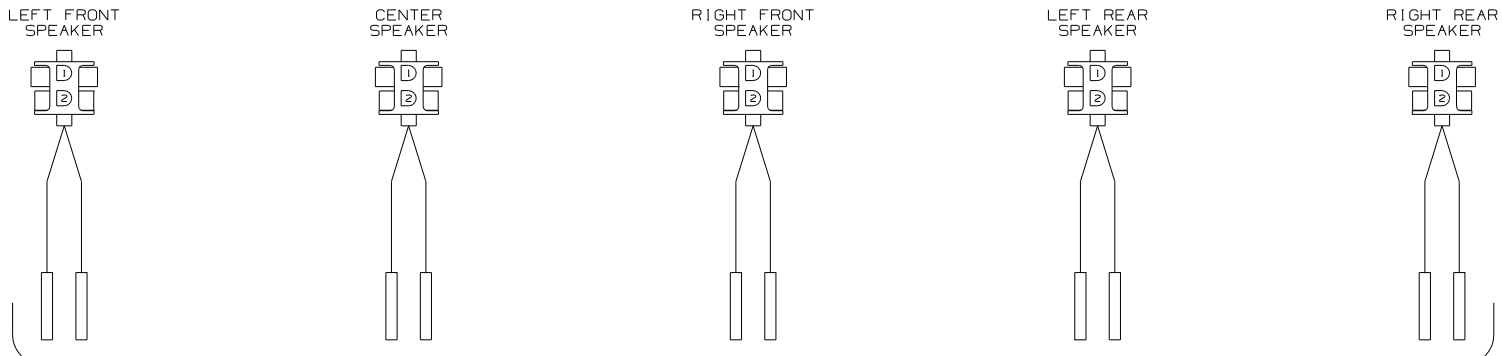
1-LT FRT POS (WHT) 16 YEL
2-LT FRT NEG (WHT) 16 WHT

1-CENTER POS (GRN) 16 YEL
2-CENTER NEG (GRN) 16 WHT

1-RT FRT POS (RED) 16 YEL
2-RT FRT NEG (RED) 16 WHT

1-LT RR POS (BLU) 16 YEL
2-LT RR NEG (BLU) 16 WHT

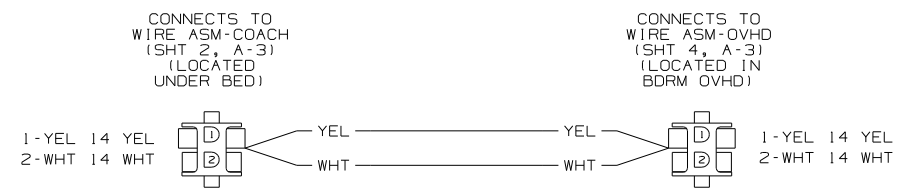
1-RT RR POS (GRY) 16 YEL
2-RT RR NEG (GRY) 16 WHT



TO HOME THEATER AMPLIFIER

RT FRT POS (RED) 16 YEL
RT FRT NEG (RED) 16 WHT
CENTER POS (GRN) 16 YEL
CENTER NEG (GRN) 16 WHT
LT FRT POS (WHT) 16 YEL
LT FRT NEG (WHT) 16 WHT
LT RR POS (BLU) 16 YEL
LT RR NEG (BLU) 16 WHT
RT RR POS (GRY) 16 YEL
RT RR NEG (GRY) 16 WHT

WIRING DIAGRAM-HOME THEATER EXTENSION
(WIRE ASM 148883-01 REV-H)



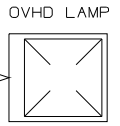
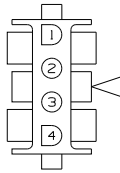
CONNECTS TO WIRE ASM-COACH (SHT 2, A-3) (LOCATED UNDER BED)

CONNECTS TO WIRE ASM-OVHD (SHT 4, A-3) (LOCATED IN BDRM OVHD)

WIRING DIAGRAM-EXTENSION
(WIRE ASM 136700-02 REV-B)

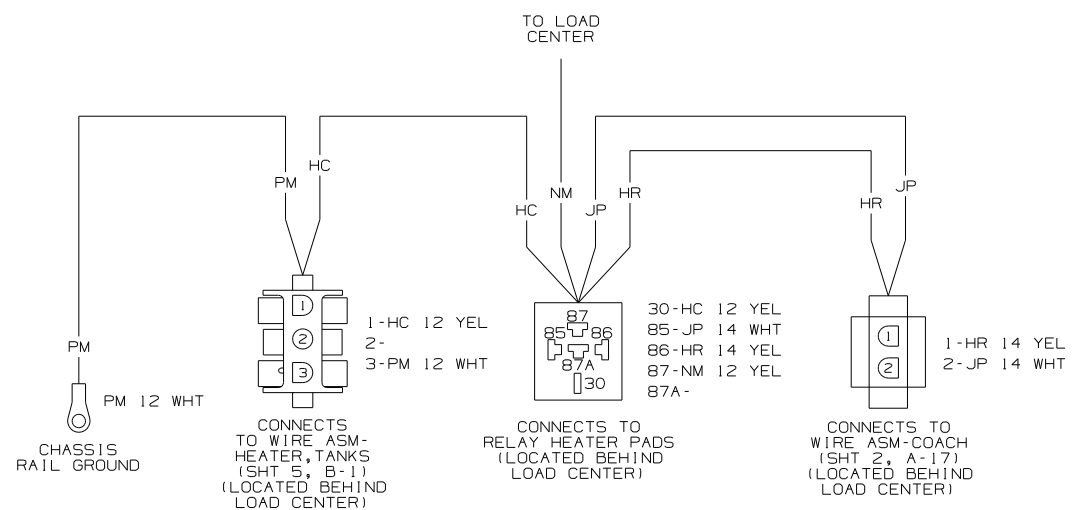
CONNECTS TO WIRE ASM-ROOF (SHT 3, D-4) (LOCATED IN RT FRT OVHD)

1-YEL 14 YEL
2-WHT 14 WHT
3-
4-

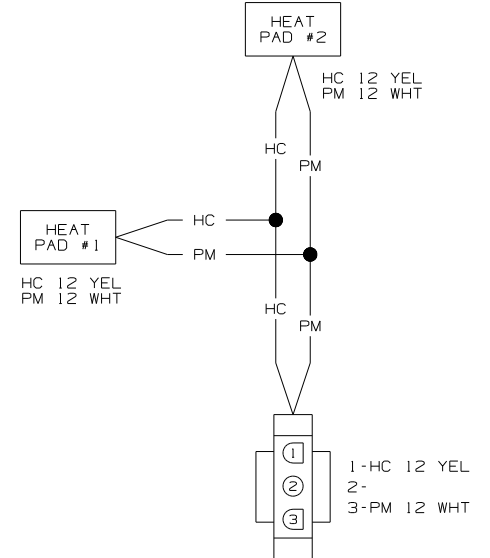


OVHD LAMP
YEL 14 YEL
WHT 14 WHT

WIRING DIAGRAM-EXTENSION
(WIRE ASM 133870 REV-A)



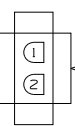
WIRING DIAGRAM-HEATER, RELAY
(WIRE ASM 134550 REV-A)



WIRING DIAGRAM-HEATER, TANKS
(WIRE ASM 134551-08 REV-E)

CONNECTS TO WIRE ASM-COACH (SHT 2, D-3) (LOCATED IN GALLEY CABT BEHIND LOAD CENTER)

1-YEL 14 YEL
2-WHT 14 WHT



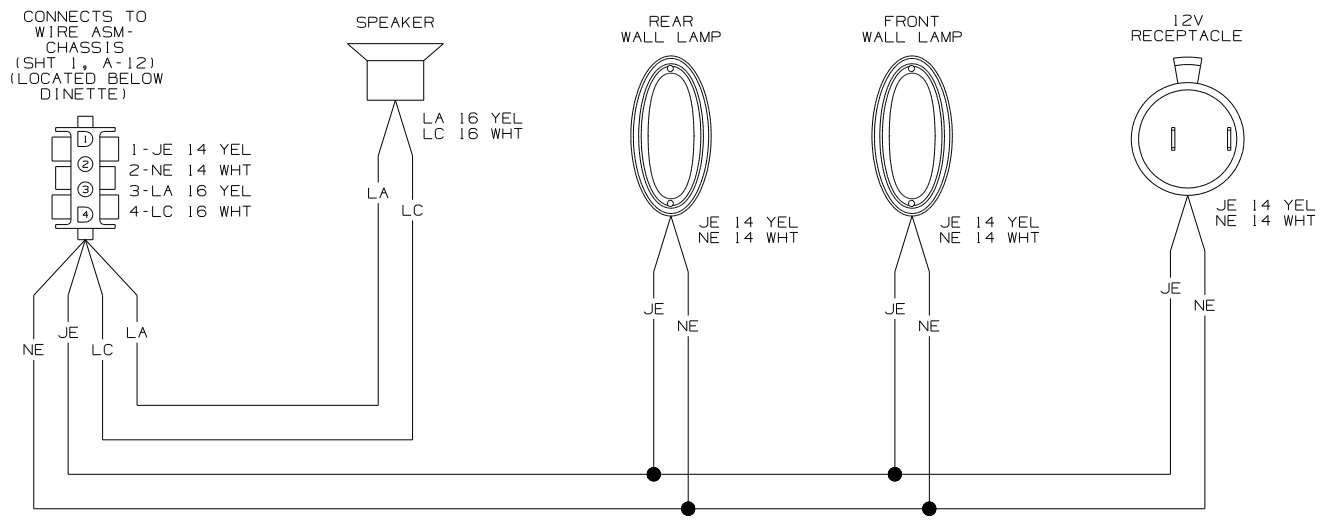
PORCH LAMP



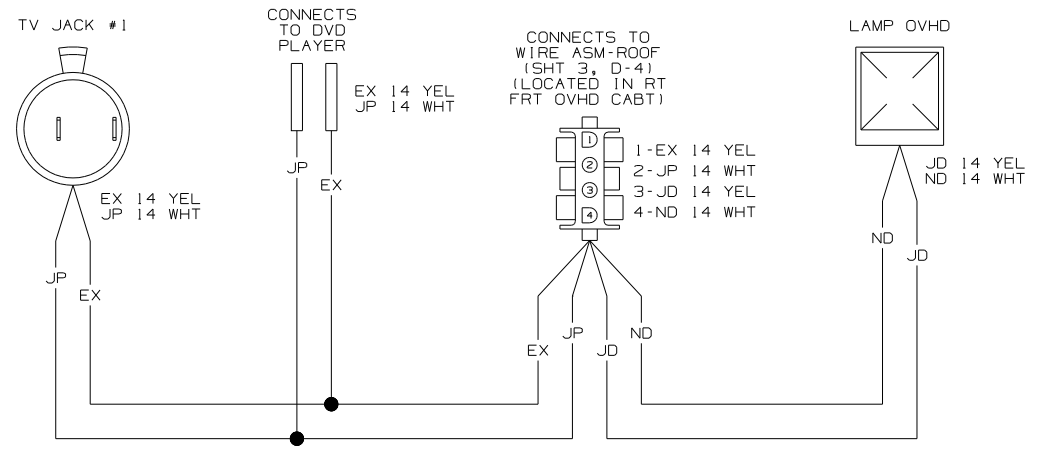
YEL 14 YEL
WHT 14 WHT

WIRING DIAGRAM-EXTENSION, 2 PIN
(WIRE ASM 133572-01 REV-F)

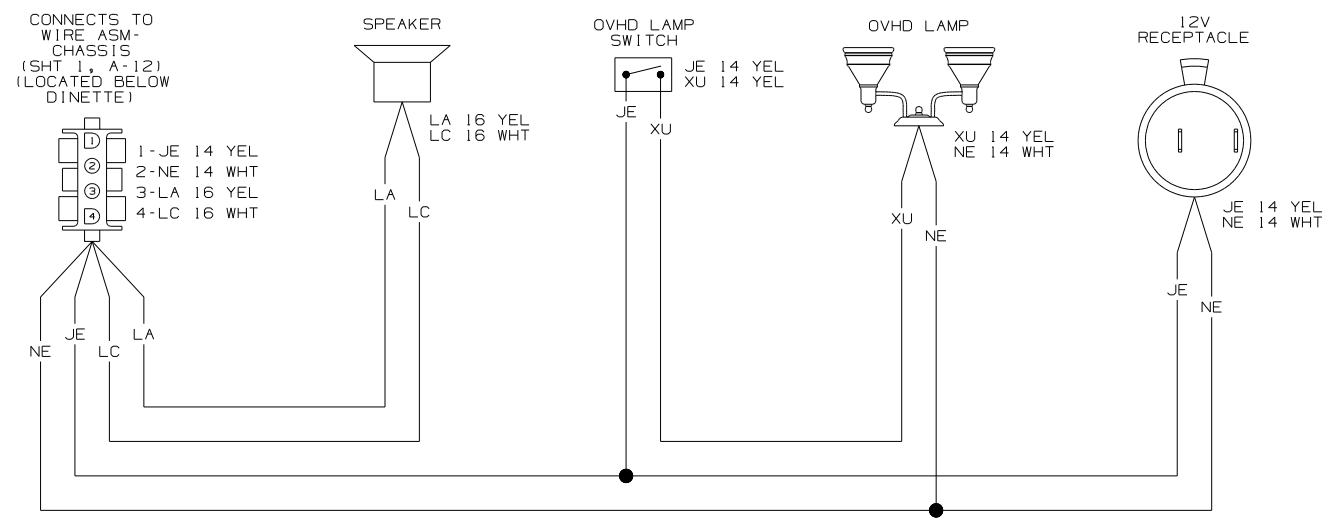
FIRST USED	05 327L
TITLE	DO NOT SCALE DRAWING
TITLE	WIRING DIAGRAM-BODY, 12V
SHEET 5	PART NO 151145



WIRING DIAGRAM-SLIDEOUT
(WIRE ASM 151819 REV-A)



WIRING DIAGRAM-OVHD,TV
(WIRE ASM 128775 REV-B)



WIRING DIAGRAM-SIDEWALL
(WIRE ASM 151818 REV-A)

FIRST USED	05 327L
TITLE	DO NOT SCALE DRAWING
	WIRING DIAGRAM-BODY, 12V
SHEET 6	PART NO 151145