

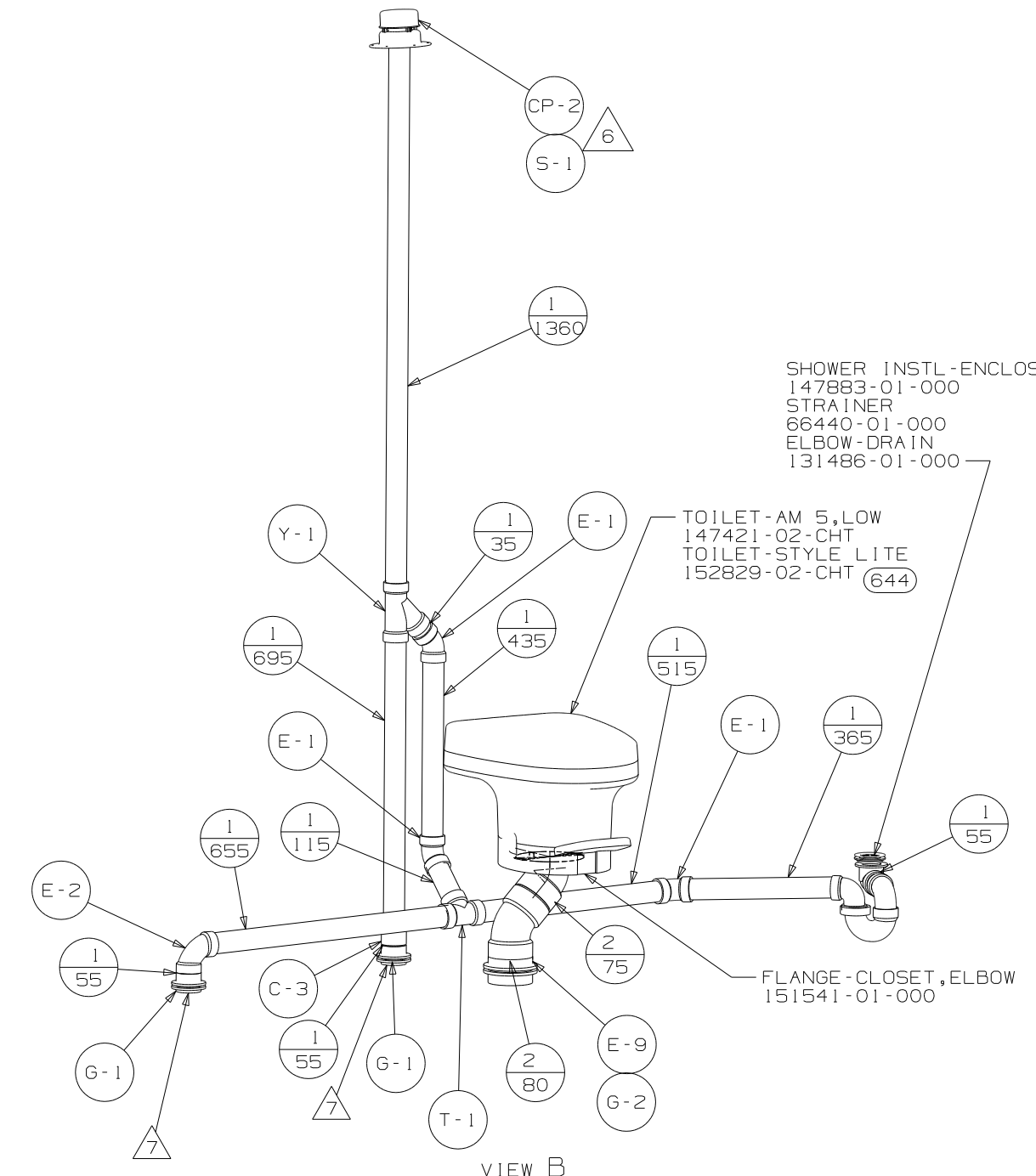
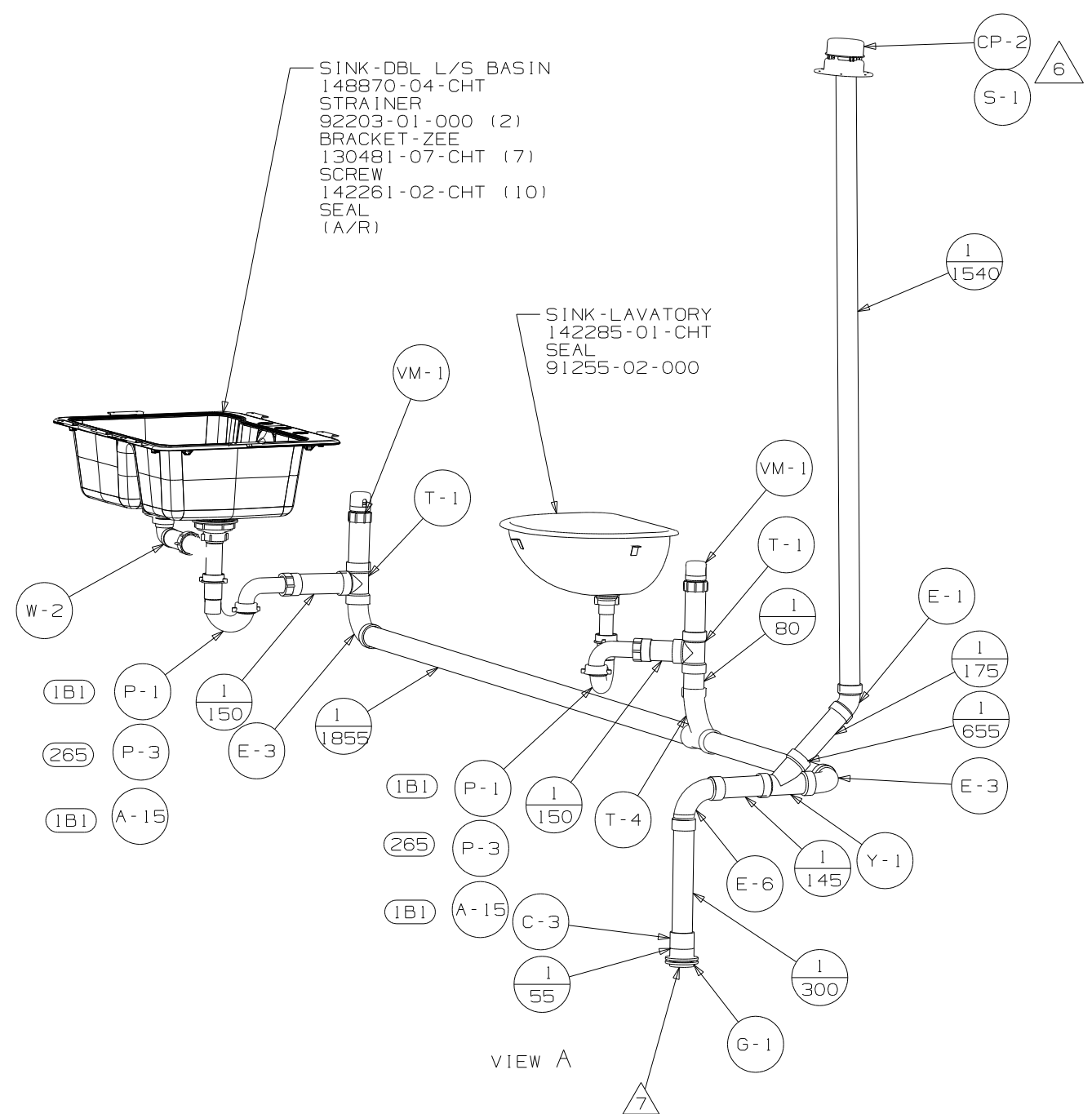
- 9 SEE WIRING INSTL-BODY, 12V FOR ELECTRICAL CONNECTION.
- 8 SECURE PIPES TO CABINET USING WIRE TIE 108046-02-000 AND SCREW G67-10-12B.
- 7 SECURE VENT TO FLOOR WITH BRACKET 136878-01-CHT CLAMP 62401-02-000, SCREW G67-10-12B.
- 6 VENT PIPE MUST PROJECT 51 MIN AND 64 MAX ABOVE ROOF FOR PROPER FIT AND FUNCTION.
- 5. SEAL AROUND SHOWER WITH SILICONE.
- 4. ALL EXTERIOR OPENINGS AROUND PIPE TO BE SEALED WITH 131264-03-000.
- 3. ALL PIPE AND FITTINGS TO BE ASSEMBLED WITH SOLVENT 4020-01-000.
- 2. SLOPE OF TRAP ARM MUST BE 6 PER 305 mm.
- 1. SLOPE OF HORIZONTAL PIPING TO BE MIN 3 PER 305 mm.

NOTES:

(23T) DRAINAGE SYSTEM-HEATED

		COPYRIGHT 2005 WINNEBAGO INDUSTRIES, INC.
DFT	ORIG. DATE	
CHKR	ALL DIMENSIONS ARE IN MILLIMETERS	
P.E.		
M.E.	FIRST USED	
DSNR	05 327L	
UNSPECIFIED TOLERANCES ARE:		MATERIAL:
WHOLE DIM (X)	:	3
ONE-PLACE (X.X)	:	
TWO-PLACE (X.XX)	:	
ANGLE	:	
THIRD ANGLE PROJECTION		
DO NOT SCALE DRAWING		
TITLE: DRAINAGE SYSTEM INSTL		
SHEET 1 OF 3	PART NO	150869
REF:		1 2/22/2005

FOR DRAINAGE CALLOUTS SEE DWG NO 116229-01-000



FIRST USED	05 327L
TITLE	DO NOT SCALE DRAWING
SHEET 2	PART NO 150869
1 2/22/2005	

FRONT AXLE
COACH

1222

1498

DATUM

CRADLE ASM
139596-02-CHT
BOLT
C18-05-40A (4)
NUT
D13-05-00B (4)

CRADLE ASM
139597-01-CHT
BOLT
C18-05-40A (4)
NUT
D13-05-00B (4)

12.5

3635

4423

(23T) PAD-HEATER
133972-04-000

(23T) PAD-HEATER
133972-04-000

TANK -HOLDING
150881-02-CHT

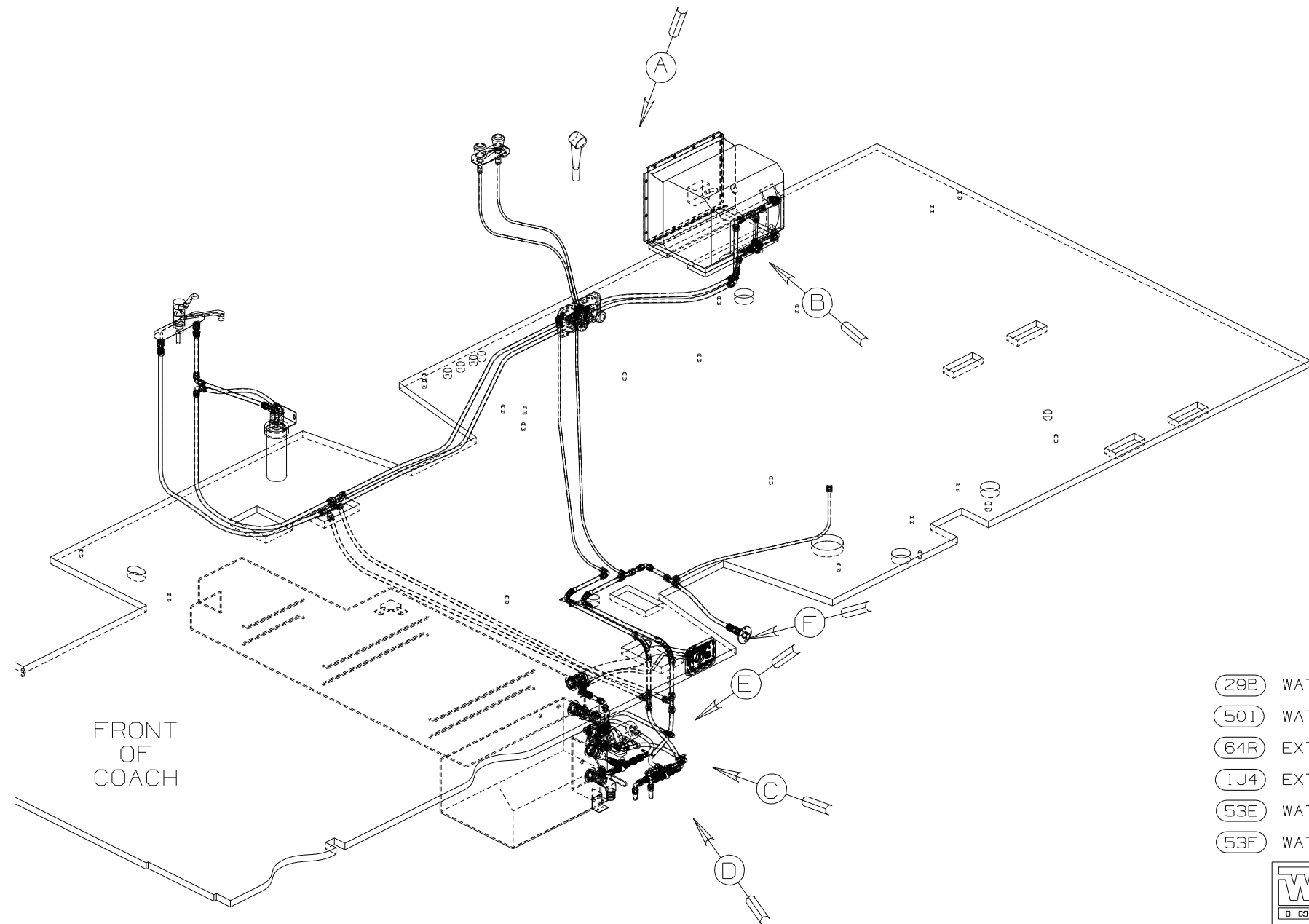
TANK -HOLDING
139646-05-CHT

C-2
N-3
2/160

V-11
H-1

C-2
N-3
2/160

FIRST USED	05 327L
TITLE	DO NOT SCALE DRAWING DRAINAGE SYSTEM INSTL
SHEET 3	PART NO 150869
1 2/22/2005	



- 10 LABEL THE HOT AND COLD SUPPLY TUBES.
- 9 TAPE FITTING TO TUBE BEFORE CABINET SET TO PREVENT FITTING FROM MOVING.
- 8 ATTACH WASHER-PLASTIC 87080-13-CHT WITH TAPE-DOUBLE 123816-03-000 ON BOTTOM SIDE OF LOWER FLOOR.
- 7 ATTACH WASHER-PLASTIC 87080-11-CHT WITH TAPE-DOUBLE 123816-03-000 ON BOTTOM SIDE OF COMPARTMENT.
- 6 ADD TEFLON TAPE 10405-01-000 TO FITTING.
- 5 ADD TEFLON TAPE 10405-03-000 TO FITTING.
- 4 ADD TEFLON TAPE 10405-02-000 TO FITTING.

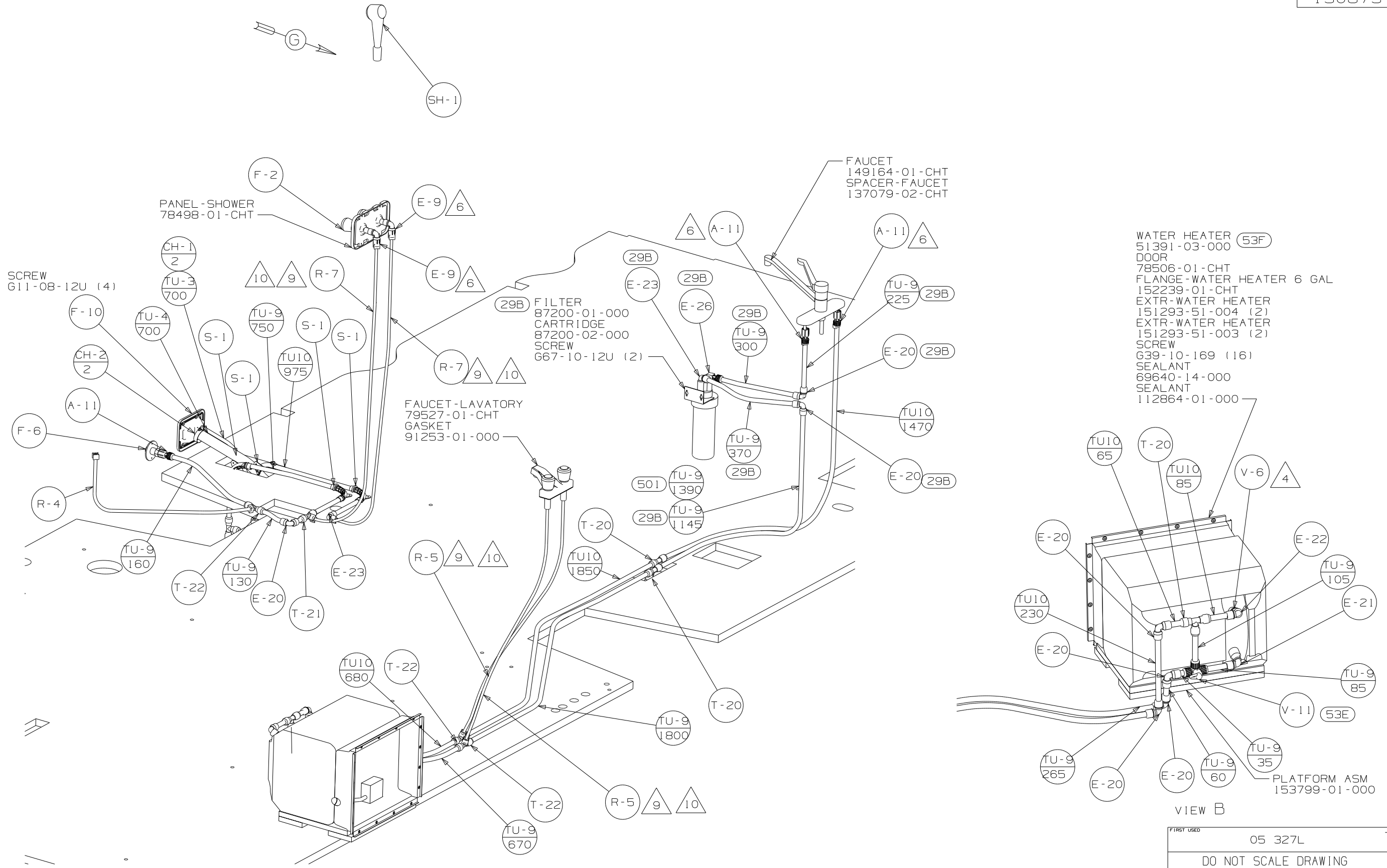
- 3. ALL TUBING TO BE SECURED AT 1200 INTERVALS MAXIMUM WITH CLAMP 10495-01-000 OR CLIP 9151-01-000 AND SCREW G67-10-12B.
- 2. TUBING TO BE INSTALLED WITH SUFFICIENT SLOPE TO PROVIDE DRAINAGE TO NEAREST VALVE.
- 1. PLASTIC FITTINGS TO BE SEALED WITH SEALANT 84456-01-000.

NOTES:

- (29B) WATER PURIFIER
- (501) WATER PURIFIER WITHOUT
- (64R) EXTERIOR WASH STATION
- (1J4) EXT WASH STATION-WITHOUT
- (53E) WATER SYS WINTERIZATION PKG
- (53F) WATER HEATER-ELEC IGNITION

WINNEBAGO		COPYRIGHT 2005 WINNEBAGO INDUSTRIES, INC.	
DFTR	ORIG. DATE	ALL DIMENSIONS ARE IN MILLIMETERS	
CHKR		FIRST USED	
P.E.		05 327L	
M.E.		UNSPECIFIED TOLERANCES ARE:	
DSNR		MATERIAL:	
		WHOLE DIM (X)	: 7
		ONE-PLACE (X.X)	:
		TWO-PLACE (X.XX)	:
		ANGLE	:
THIRD ANGLE PROJECTION		DO NOT SCALE DRAWING	
TITLE: WATER SYSTEM INSTL			
SHEET 1 OF 4		PART NO 150875	

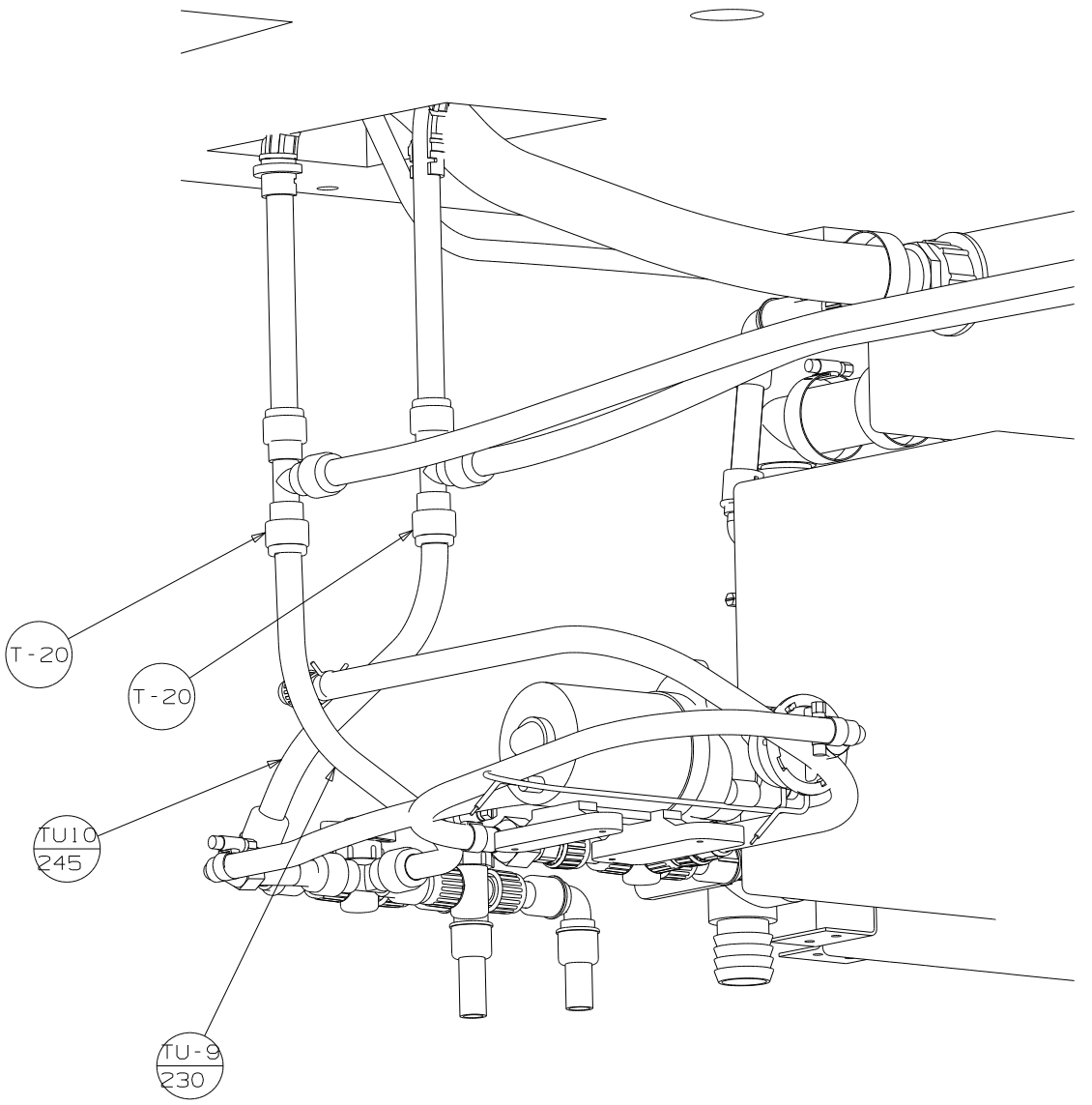
(X-X)
FOR
WATER
CALLOUTS
SEE DWG NO
116230-01-000



VIEW A

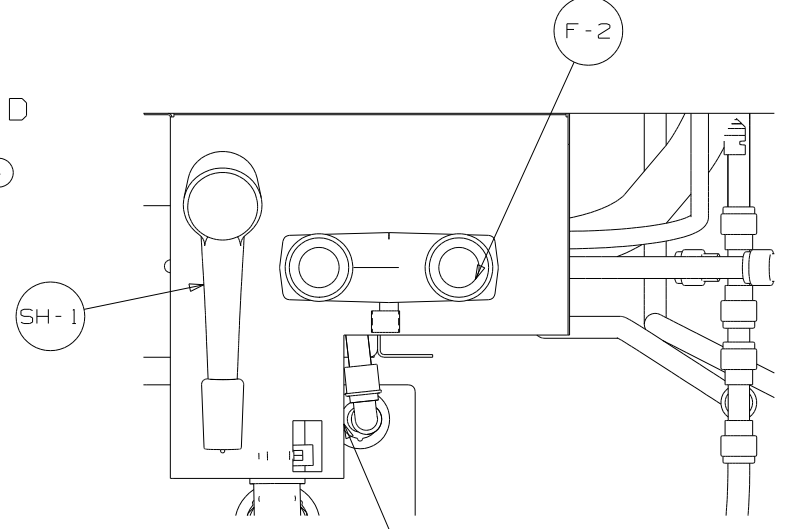
VIEW B

FIRST USED	05 327L
TITLE	DO NOT SCALE DRAWING
TITLE	WATER SYSTEM INSTL
SHEET 2	PART NO 150875

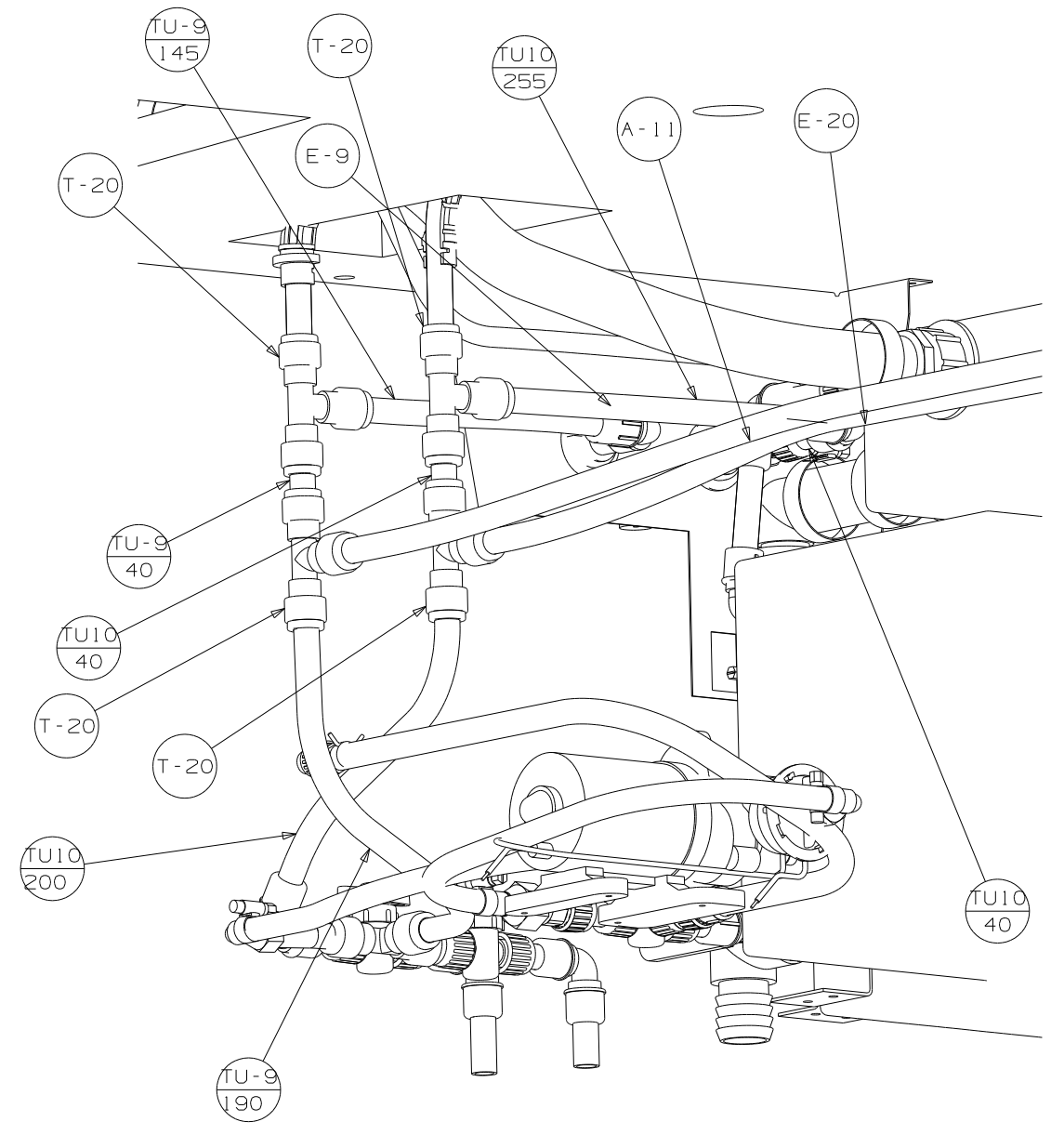


VIEW D

IJ4



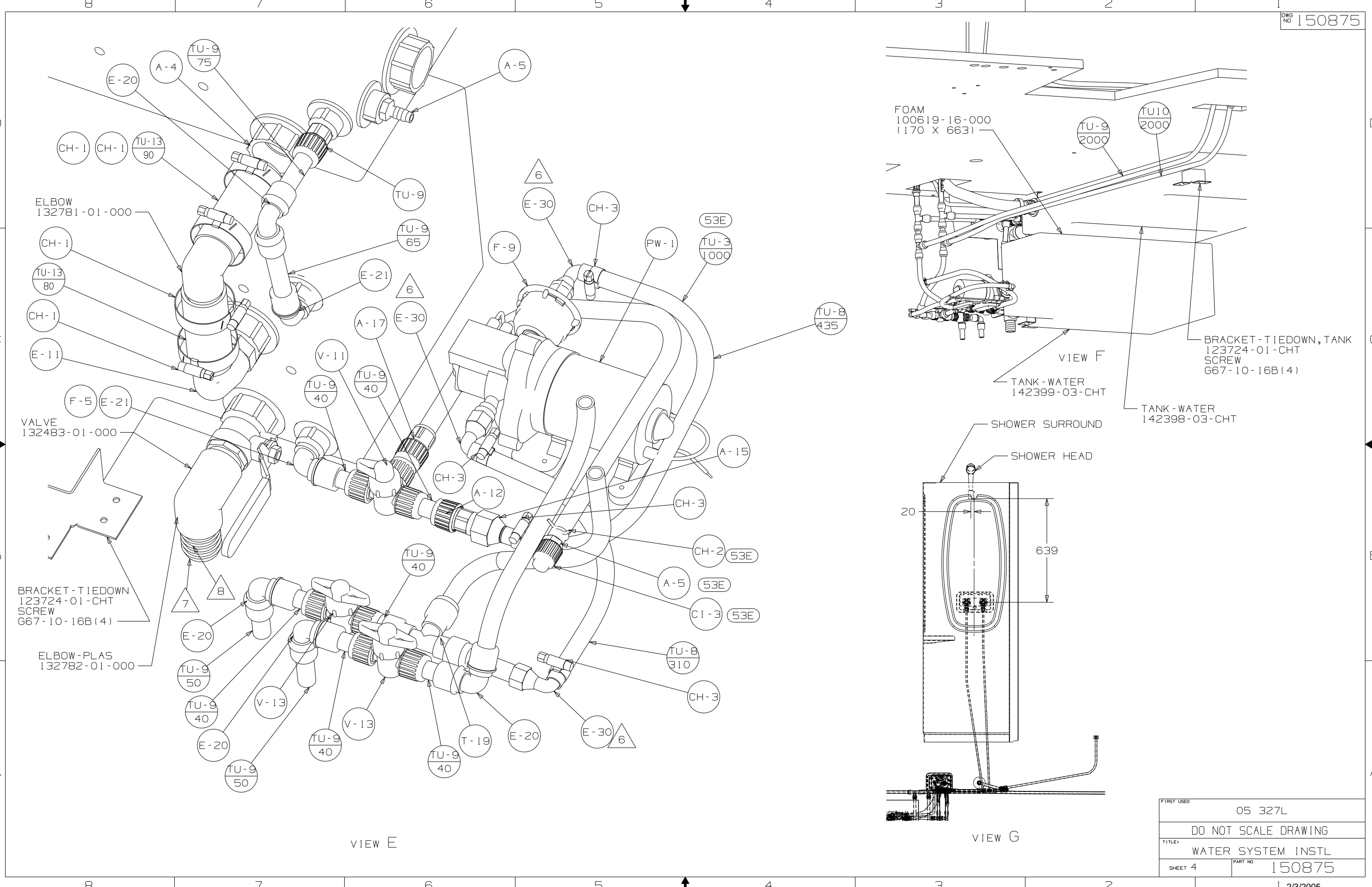
BRACKET - SUPPORT, FAUCET
114416-03-CHT



VIEW C

64R

FIRST USED	05 327L
DO NOT SCALE DRAWING	
TITLE	WATER SYSTEM INSTL
SHEET 3	PART NO 150875



ELBOW
132781-01-000

VALVE
132483-01-000

BRACKET-TIEDOWN
123724-01-CHT
SCREW
G67-10-16B(4)

ELBOW-PLAS
132782-01-000

FOAM
100619-16-000
(170 X 663)

BRACKET-TIEDOWN, TANK
123724-01-CHT
SCREW
G67-10-16B(4)

TANK-WATER
142399-03-CHT

TANK-WATER
142398-03-CHT

SHOWER SURROUND

SHOWER HEAD

20
639

VIEW E

VIEW G

FIRST USED	05 327L
TITLE	DO NOT SCALE DRAWING
SHEET 4	WATER SYSTEM INSTL
PART NO	150875