



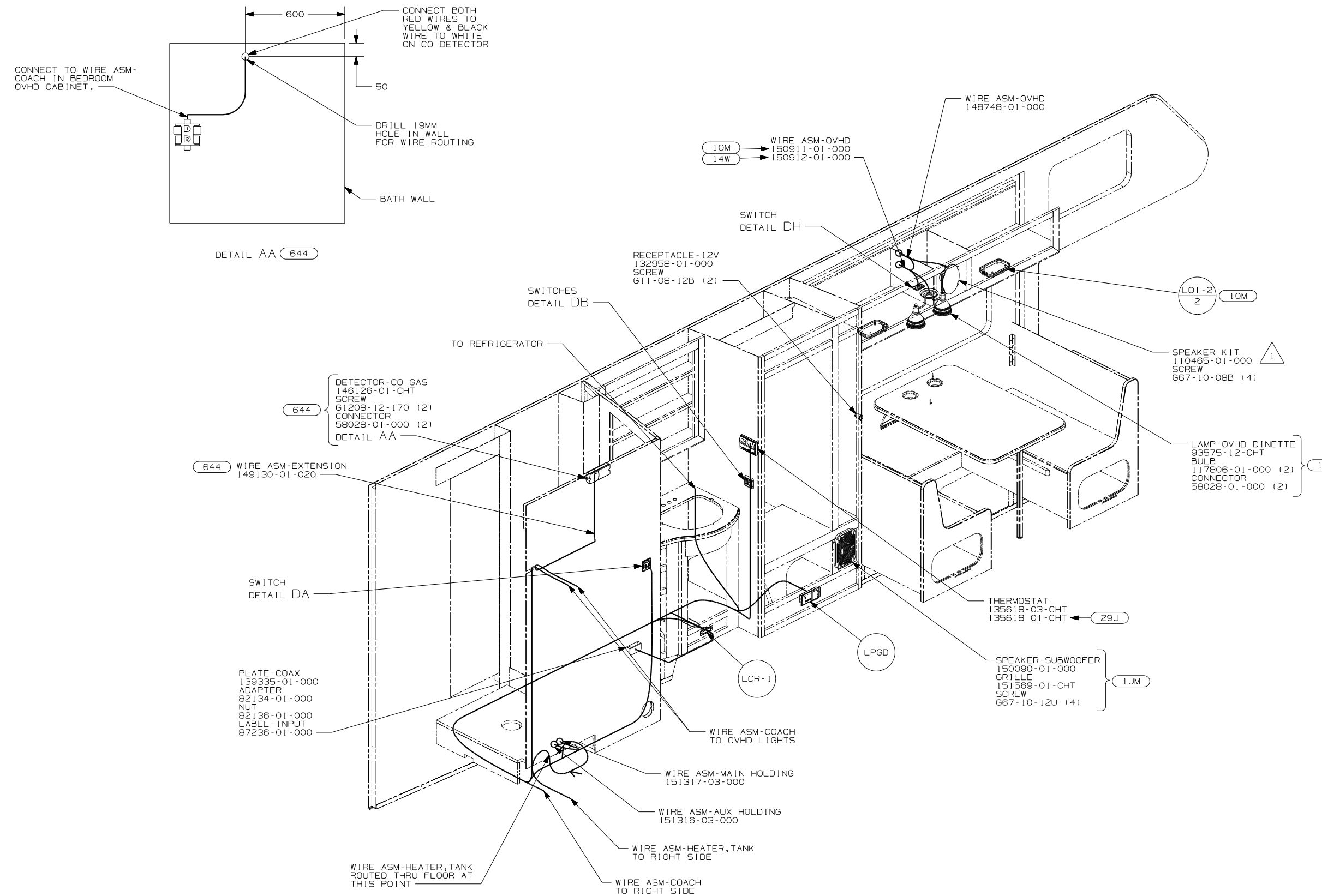
DANGER

Danger of electrical shock, burns or death. Always remove all power sources before attempting any repair, service or diagnostic work. Power can be present from shore power, generator, inverter or battery. All power sources must be disabled and secured before performing any service.



CAUTION

If you lack the skills, tools or equipment to perform diagnostic or repair work leave such work to an authorized Winnebago Industries dealer or other qualified shop.



CONNECT TO WIRE ASM-COACH IN BEDROOM OVHD CABINET.

CONNECT BOTH RED WIRES TO YELLOW & BLACK WIRE TO WHITE ON CO DETECTOR

DRILL 19MM HOLE IN WALL FOR WIRE ROUTING

BATH WALL

600

50

DETAIL AA 644

TO REFRIGERATOR

DETECTOR-CO GAS 146126-01-CHT SCREW 61208-12-170 (2) CONNECTOR 58028-01-000 (2) DETAIL AA

644 WIRE ASM-EXTENSION 149130-01-020

SWITCH DETAIL DA

PLATE-COAX 139335-01-000 ADAPTER 82134-01-000 NUT 82136-01-000 LABEL-INPUT 87236-01-000

WIRE ASM-HEATER, TANK ROUTED THRU FLOOR AT THIS POINT

WIRE ASM-HEATER, TANK TO RIGHT SIDE

WIRE ASM-COACH TO RIGHT SIDE

WIRE ASM-MAIN HOLDING 151317-03-000

WIRE ASM-AUX HOLDING 151316-03-000

WIRE ASM-COACH TO OVHD LIGHTS

WIRE ASM-OVHD 148748-01-000

10M 14W WIRE ASM-OVHD 150911-01-000 150912-01-000

SWITCH DETAIL DH

RECEPTACLE-12V 132958-01-000 SCREW 611-08-12B (2)

SWITCHES DETAIL DB

LO1-2 10M 2

SPEAKER KIT 110465-01-000 SCREW 667-10-08B (4)

LAMP-OVHD DINETTE 93575-12-CHT BULB 117806-01-000 (2) CONNECTOR 58028-01-000 (2) 14W

THERMOSTAT 135618-03-CHT 135618 01-CHT 29J

SPEAKER-SUBWOOFER 150090-01-000 GRILLE 151569-01-CHT SCREW 667-10-12U (4) 1JM

LCR-1

LPGD

- 644 GREAT ALASKAN RENTAL PACKAGE
- 29J HEAT PUMP-ROOF AIR
- 23T DRAINAGE SYSTEM-HEATED
- 14W DINETTE
- 10M COUCH RH
- 1JM HOME THEATER SOUND SYSTEM
- 265 CODES/STANDARDS-CSA/CMVSS
- 1B1 CODES/STANDARDS USA
- 1B1 265

WINNEBAGO COPYRIGHT 2004 WINNEBAGO INDUSTRIES, INC.

DFTR	ORIG. DATE
CHKR	ALL DIMENSIONS ARE IN MILLIMETERS
P.E.	
M.E.	FIRST USED
DSNR	05 326A

UNSPECIFIED TOLERANCES ARE: MATERIAL:

WHOLE DIM (X) :
 ONE-PLACE (X.X) :
 TWO-PLACE (X.XX) :
 ANGLE :

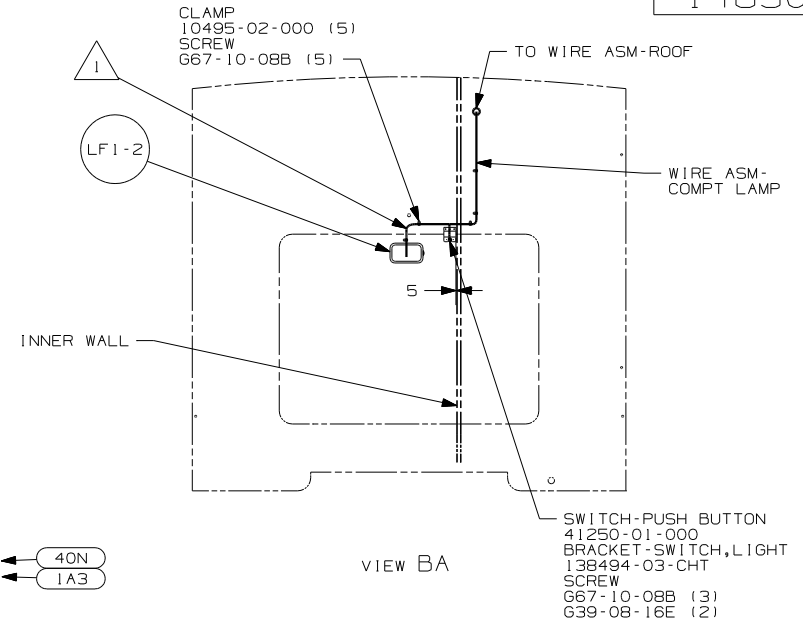
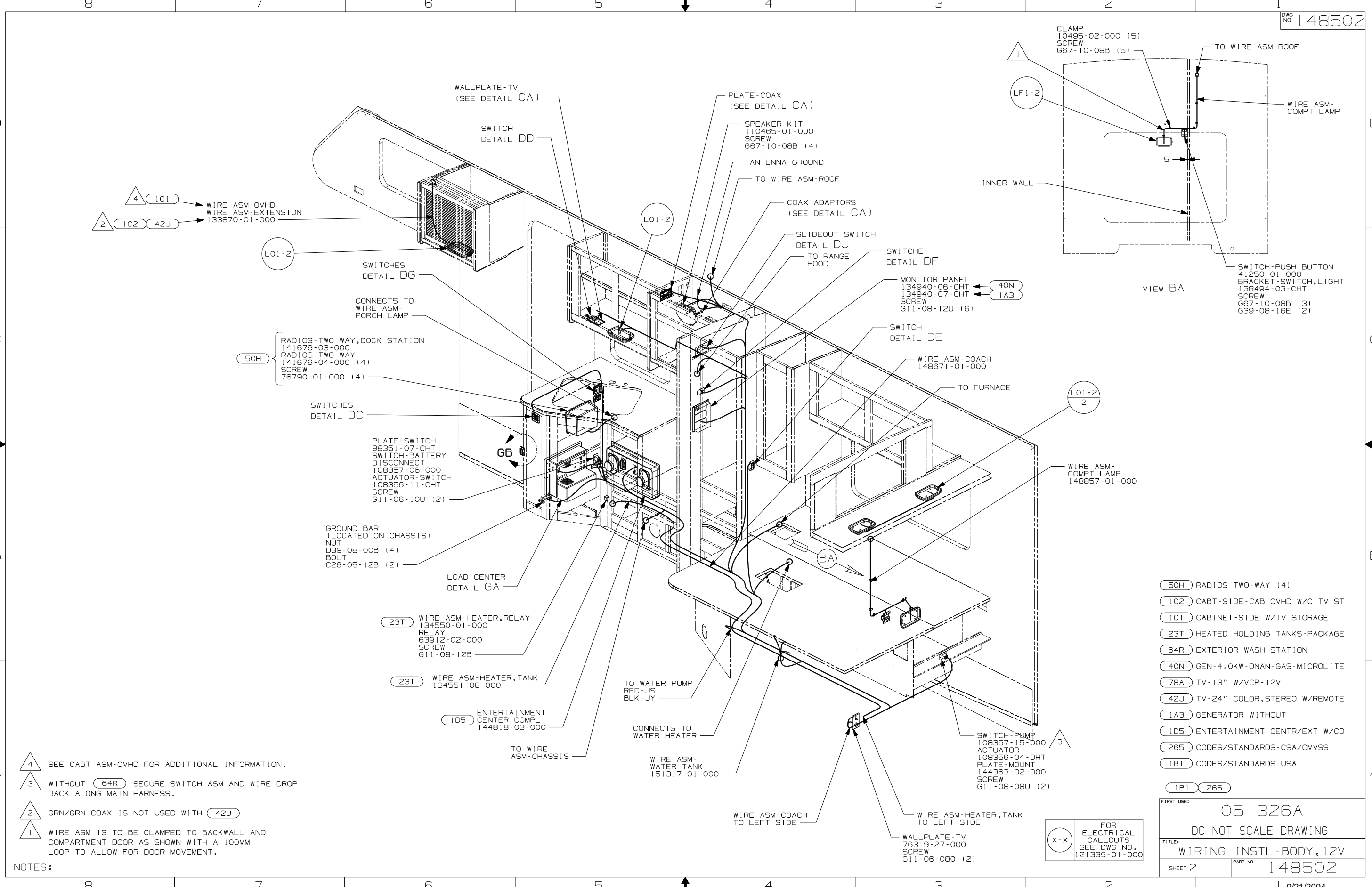
THIRD ANGLE PROJECTION

DO NOT SCALE DRAWING

TITLE: WIRING INSTL-BODY, 12V

SHEET 1 OF 7 PART NO 148502

REF: 1 9/21/2004



50H) RADIOS-TWO WAY, DOCK STATION
 141679-03-000
 RADIOS-TWO WAY
 141679-04-000 (4)
 SCREW
 76790-01-000 (4)

23T) WIRE ASM-HEATER, RELAY
 134550-01-000
 RELAY
 63912-02-000
 SCREW
 611-08-12B

23T) WIRE ASM-HEATER, TANK
 134551-08-000

ID5) ENTERTAINMENT CENTER COMPL
 144818-03-000

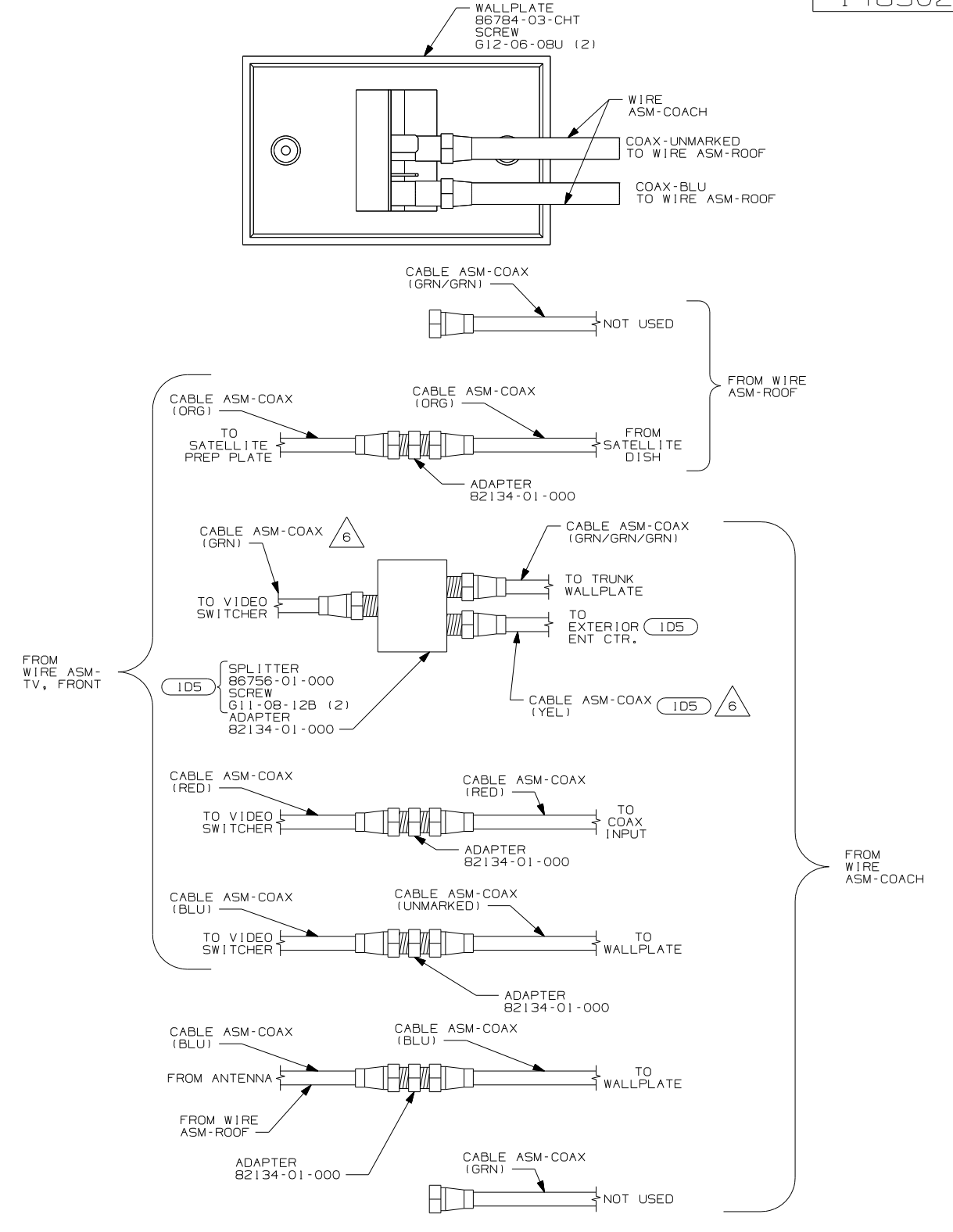
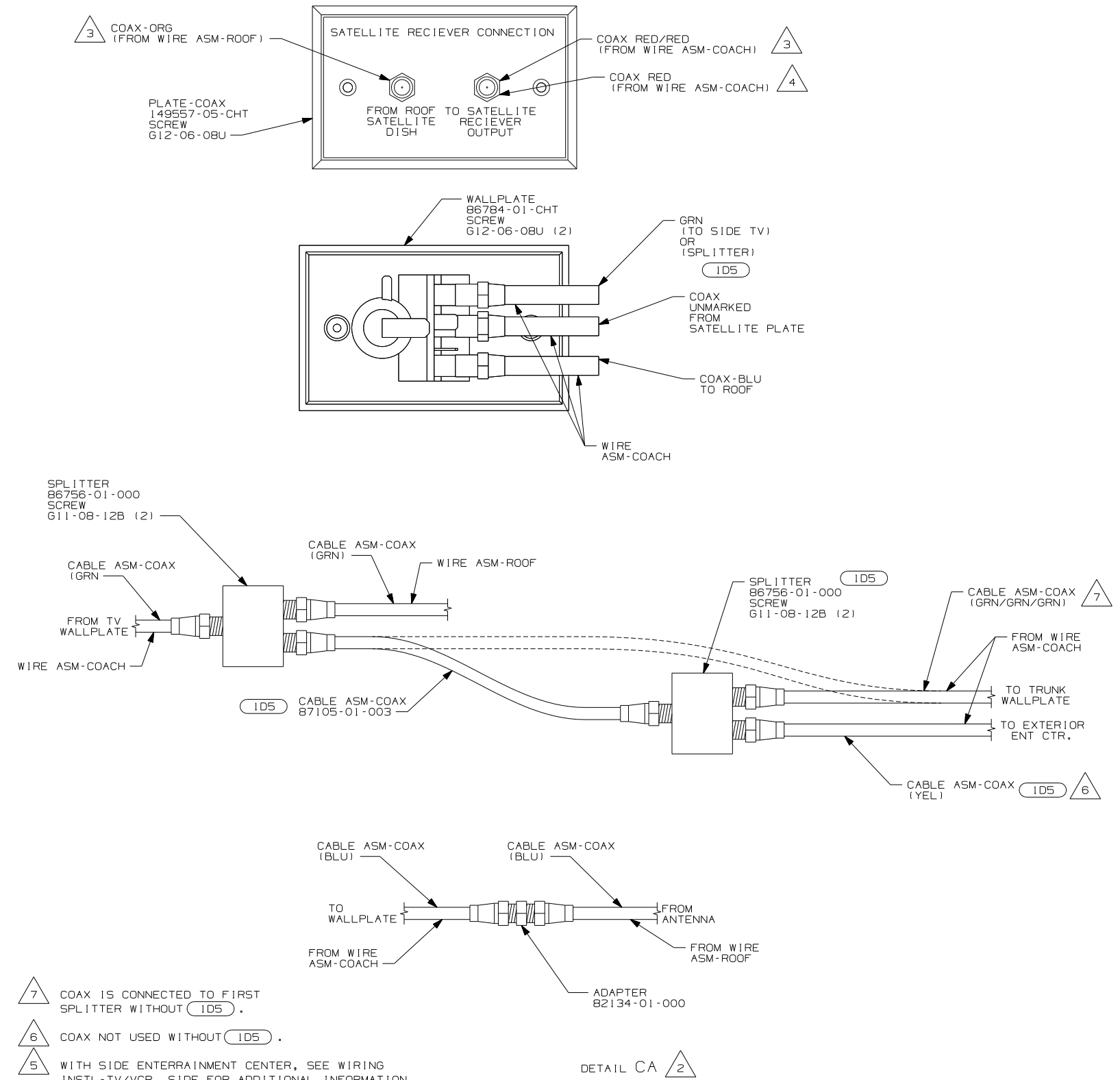
SWITCH-PUMP
 108357-15-000
 ACTUATOR
 108356-04-DHT
 PLATE-MOUNT
 144363-02-000
 SCREW
 611-08-08U (2)

- NOTES:
- 4) SEE CABT ASM-OVHD FOR ADDITIONAL INFORMATION.
 - 3) WITHOUT 64R) SECURE SWITCH ASM AND WIRE DROP BACK ALONG MAIN HARNESS.
 - 2) GRN/GRN COAX IS NOT USED WITH 42J)
 - 1) WIRE ASM IS TO BE CLAMPED TO BACKWALL AND COMPARTMENT DOOR AS SHOWN WITH A 100MM LOOP TO ALLOW FOR DOOR MOVEMENT.

- 50H) RADIOS TWO-WAY (4)
- IC2) CABT-SIDE-CAB OVHD W/O TV ST
- IC1) CABINET-SIDE W/TV STORAGE
- 23T) HEATED HOLDING TANKS-PACKAGE
- 64R) EXTERIOR WASH STATION
- 40N) GEN-4.0KW-ONAN-GAS-MICROLITE
- 78A) TV-13" W/VCP-12V
- 42J) TV-24" COLOR, STEREO W/REMOTE
- IA3) GENERATOR WITHOUT
- ID5) ENTERTAINMENT CENTR/EXT W/CD
- 265) CODES/STANDARDS-CSA/CMVSS
- IB1) CODES/STANDARDS USA

(X-X) FOR ELECTRICAL CALLOUTS SEE DWG NO. 121339-01-000

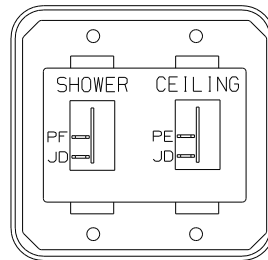
FIRST USED	05 326A
TITLE	DO NOT SCALE DRAWING
WIRING INSTL-BODY, 12V	
SHEET 2	PART NO 148502



- NOTES:**
- 7 COAX IS CONNECTED TO FIRST SPLITTER WITHOUT ID5.
 - 6 COAX NOT USED WITHOUT ID5.
 - 5 WITH SIDE ENTERRAINMENT CENTER, SEE WIRING INSTL-TV/VCR, SIDE FOR ADDITIONAL INFORMATION.
 - 4 CONNECT COAX TO FRONT SIDE OF WALLPLATE.
 - 3 CONNECT COAX TO BACKSIDE OF WALLPLATE.
 - 2 WITHOUT 42J.
 - 1 WITH FRONT ENTERRAINMENT CENTER, SEE WIRING INSTL-TV/VCR, FRONT FOR ADDITIONAL INFORMATION.

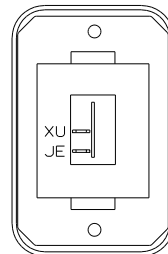
- 42J TV-24" COLOR, STEREO W/REMOTE
- ID5 ENTERTAINMENT CENTER/EXT W/CD
- 265 CODES/STANDARDS-CSA/CMVSS
- 1B1 CODES/STANDARDS USA

FIRST USED	05 326A
DO NOT SCALE DRAWING	
TITLE:	WIRING INSTL-BODY, 12V
SHEET 3	PART NO 148502



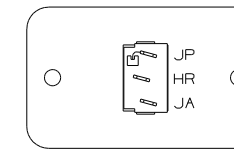
SWITCH-ROCKER 135740-01-CHT (2)
SWITCH-BASE 135741-02-CHT
SWITCH-BEZEL 135742-15-CHT
SCREW 611-08-08U (4)

DETAIL DA



SWITCH-ROCKER 135740-01-CHT
SWITCH-BASE 135741-01-CHT
SWITCH-BEZEL 135742-01-CHT
SCREW 611-08-08U (2)

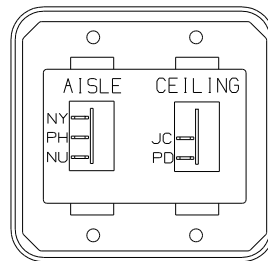
DETAIL DH (14W)



SWITCH-HEATER 89308-05-CHT
PLATE-SWITCH 98351-01-CHT
SCREW 611-06-16J (2)
LABEL-SWITCH 134563-01-CHT

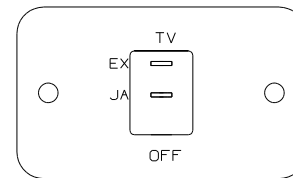
HOLDING TANK HEATER
TURN OFF When Not In Use
SEE OPERATORS MANUAL

DETAIL DF (23T)



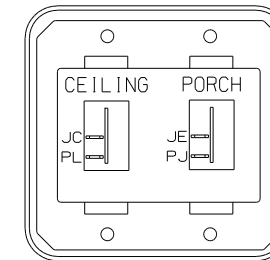
SWITCH-ROCKER 135740-01-CHT
135740-02-CHT
SWITCH-BASE 135741-02-CHT
SWITCH-BEZEL 135742-13-CHT
SCREW 611-08-08U (4)

DETAIL DB



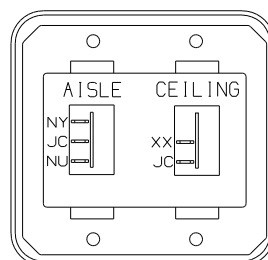
SWITCH-TV 132180-01-CHT
SWITCH-PLATE 98351-14-CHT
SCREW 611-06-16U (2)

DETAIL DD (78A)



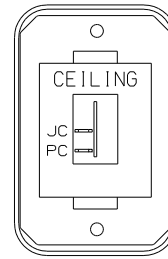
SWITCH-ROCKER 135740-01-CHT (2)
SWITCH-BASE 135741-02-CHT
SWITCH-BEZEL 135742-19-CHT
SCREW 611-08-08U (4)

DETAIL DG



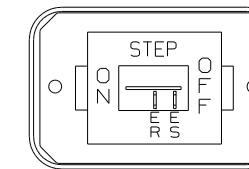
SWITCH-ROCKER 135740-01-CHT
135740-02-CHT
SWITCH-BASE 135741-02-CHT
SWITCH-BEZEL 135742-13-CHT
SCREW 611-08-08U (4)

DETAIL DC



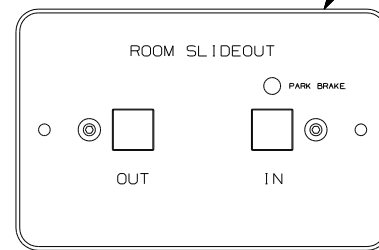
SWITCH-ROCKER 135740-01-CHT
SWITCH-BASE 135741-01-CHT
SWITCH-BEZEL 135742-07-CHT
SCREW 611-08-08U (2)

DETAIL DE



SWITCH-ROCKER 135740-01-CHT
SWITCH-BASE 135741-01-CHT
SWITCH-BEZEL 135742-11-CHT
SCREW 611-08-08U (2)

DETAIL DG (1E2)



SWITCH ASM-SLIDEOUT 140464-02-000

LABEL-WARNING 116549-01-000

WARNING

UNDERSTAND OPERATOR'S MANUAL BEFORE USING
KEEP PEOPLE AND OBSTRUCTIONS CLEAR OF
SLIDEOUT ROOM WHEN OPERATING TO AVOID
INJURY AND/OR PROPERTY DAMAGE

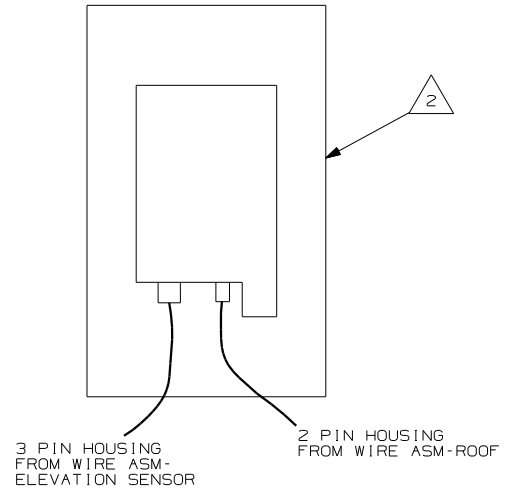
DETAIL DJ

- (14W) DINETTE
- (1E2) ENTRANCE STEP-ELEC.
- (78A) TV-13" W/VCP-12V
- (42J) TV-24" COLOR, STEREO W/REMOTE
- (23T) DRAINAGE SYSTEM-HEATED
- (1C2) CABT-SIDE-CAB OVHD W/O TV ST
- (265) CODES/STANDARDS-CSA/CMVSS
- (1B1) CODES/STANDARDS USA

(1B1) (265)

FIRST USED	05 326A
TITLE	DO NOT SCALE DRAWING
TITLE	WIRING INSTL-BODY, 12V
SHEET 4	PART NO 148502

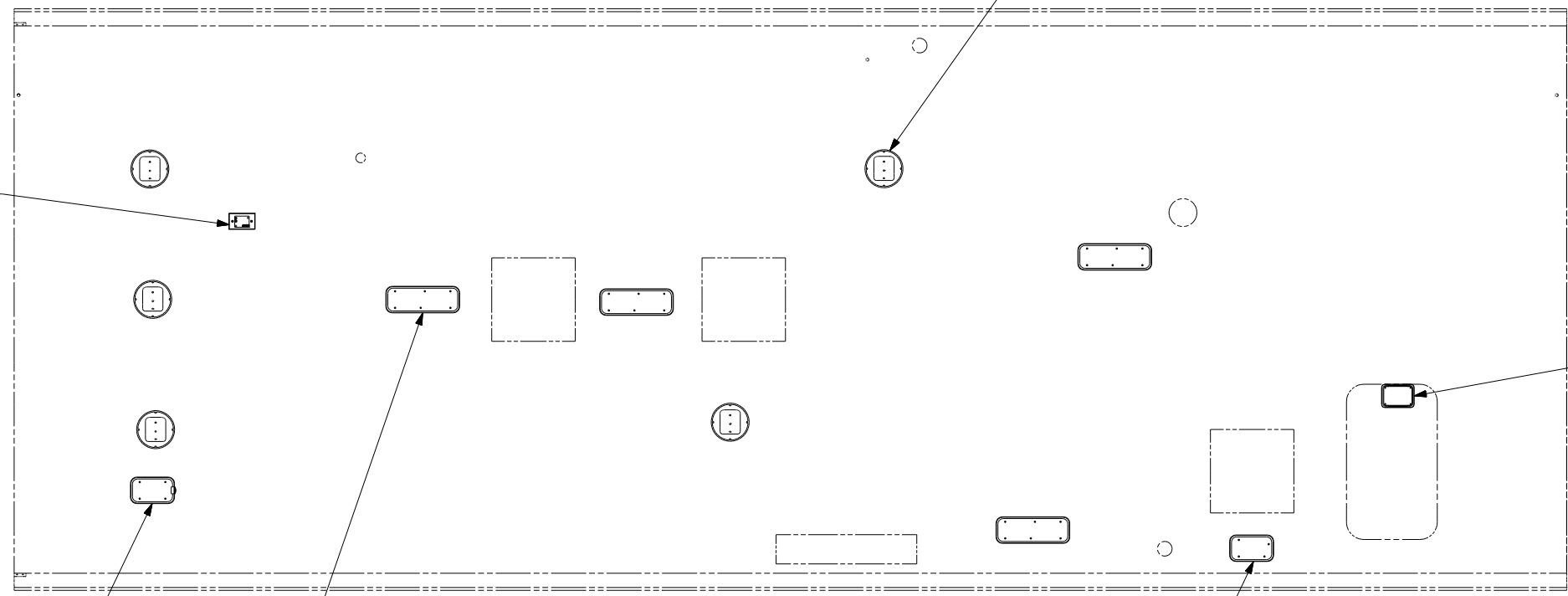
(X-X) FOR ELECTRICAL CALLOUTS SEE DWG NO. 121339-01-000



DETAIL DA 480

SPEAKER-CUBE
 151314-01-CHT (5)
 SCREW
 G68-06-12U (20) } 1JM

SATELLITE ELEVATION SENSOR
 DETAIL DA



3 L01-2

LFSN2
4

LFIN2

LSH-1

- 42J TV-24" COLOR, STEREO W/REMOTE
- 480 SATELLITE DISH & ELEV. SENSOR
- 1JM HOME THEATER SOUND SYSTEM
- 265 CODES/STANDARDS-CSA/CMVSS
- 1B1 CODES/STANDARDS USA

1B1 265

3 NOT USED WITH 43B

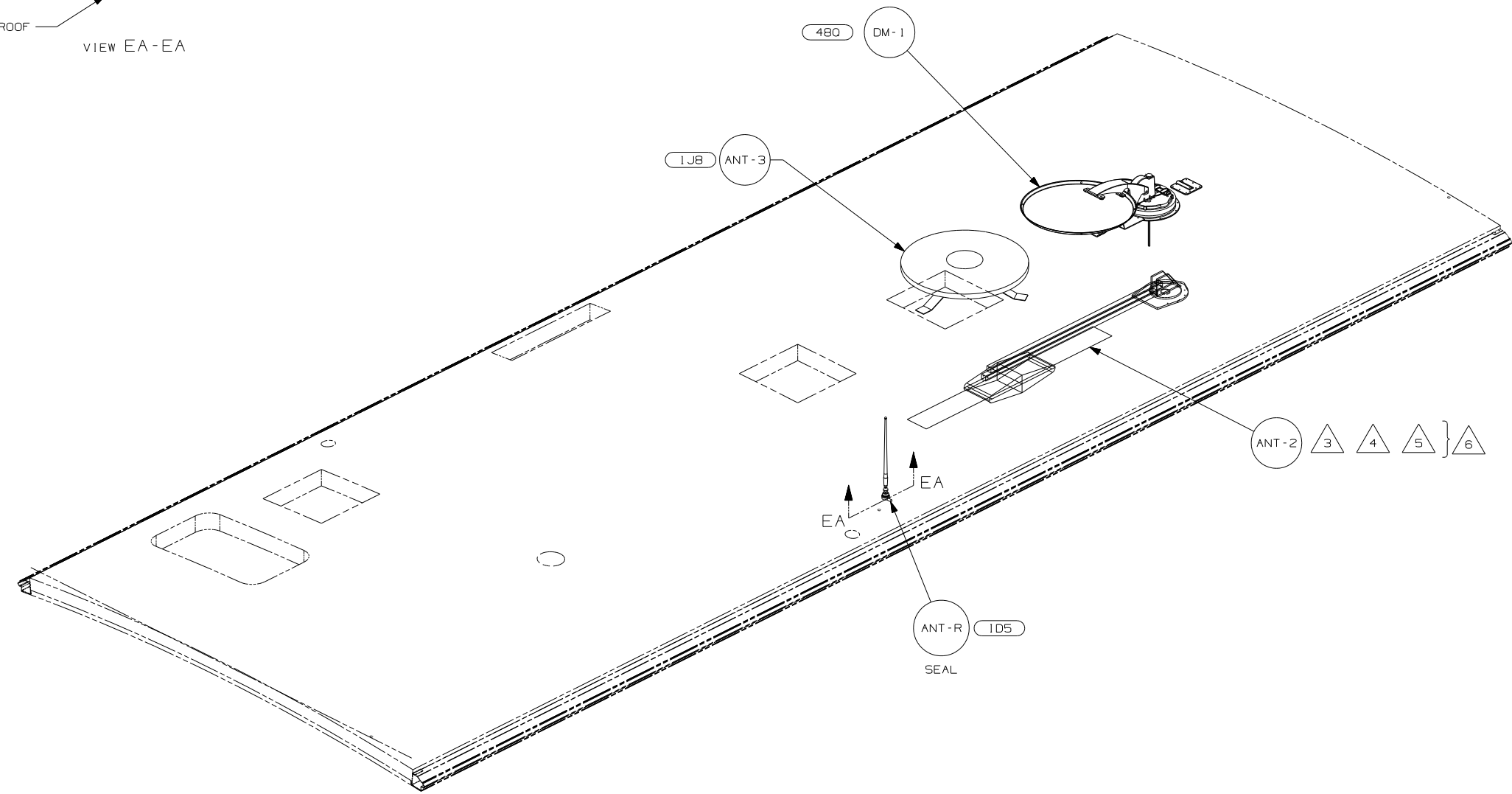
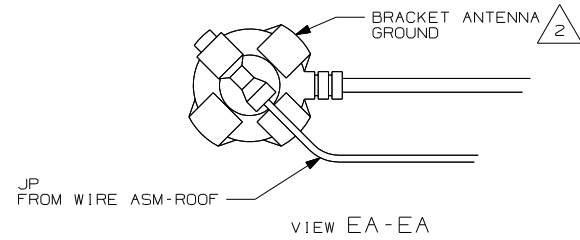
2 SENSOR SUPPLIED WITH SATELLITE ASSEMBLY.

1. SEE ROOF ASM FOR ADDITIONAL INFORMATION.

NOTES:

(X-X)
 FOR ELECTRICAL CALLOUTS
 SEE DWG NO. 121339-01-000

FIRST USED	05 326A
TITLE	DO NOT SCALE DRAWING
	WIRING INSTL-BODY, 12V
SHEET 5	PART NO 148502



- △6 NOT USED WITH 1J8
- △5 ADD RUBBER BUMPERS TO ROOF UNDER EACH END OF ANTENNA IN DOWN POSITION.
- △4 LOCATE CLIP TO RETAIN CABLE BUT NOT TO RESTRICT ANTENNA.
- △3 SEE DRAWING 76319-01-000 FOR INSTALLATION OF TV ANTENNA.
- △2 WRAP BRACKCT LEGS AROUND ANTENNA BASE.

1. CONNECTOR-PLUG, TRAILER 113589-01-000 TO BE SUPPLIED LOOSE IN COACH WITH TRAILER TOW PACKAGE.

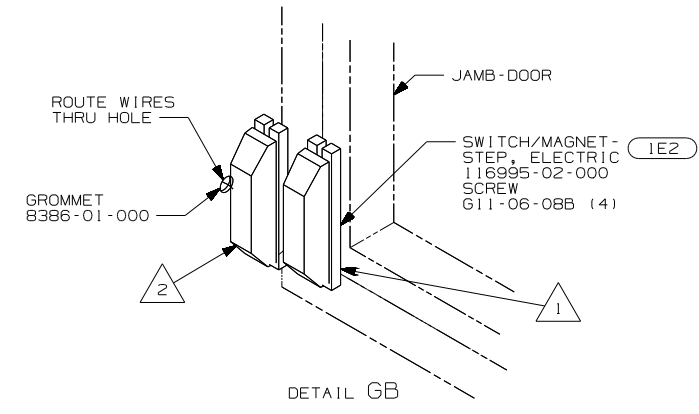
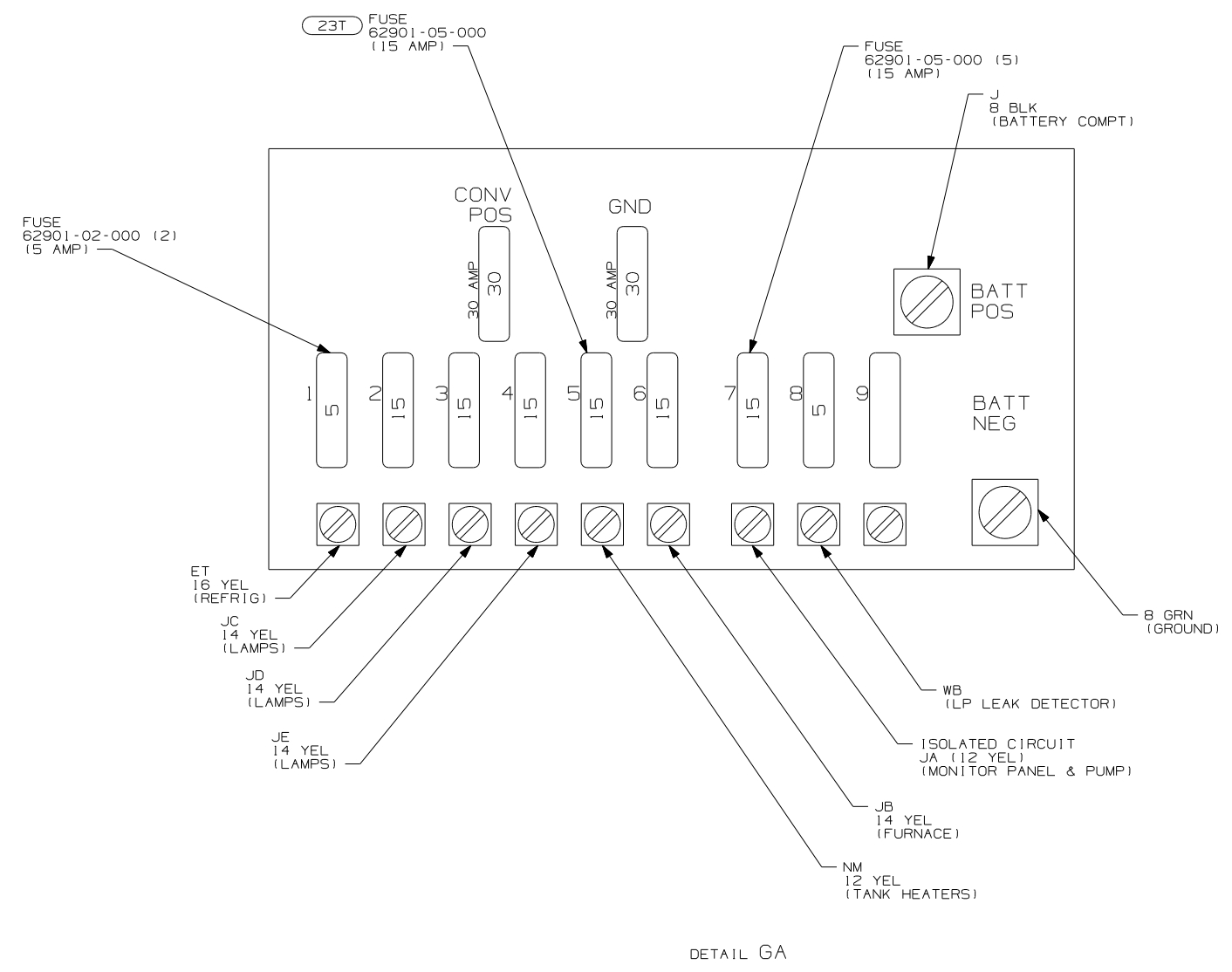
NOTES:

- 1J8 TV ANTENNA-OMNIDIRECTIONAL
- 1D5 ENTERTAINMENT CENTR/EXT W/CD
- 480 SATELLITE DISH & ELEV.SENSOR
- 265 CODES/STANDARDS-CSA/CMVSS
- 1B1 CODES/STANDARDS USA

1B1 265

X-X FOR ELECTRICAL CALLOUTS SEE DWG NO. 121339-01-000

FIRST USED	05 326A
DO NOT SCALE DRAWING	
TITLE:	WIRING INSTL-BODY, 12V
SHEET 6	PART NO 148502



NOTES:

- 2 MOUNT SWITCH AND SPACER TO BLOCK ON JAMB. ADJUST HEIGHT TO MATCH MAGNET.
- 1 MOUNT MAGNET USING PILOT HOLES IN SCREEN DOOR FRAME. MOUNT WITH MAGNET TOWARD SWITCH.

FOR ELECTRICAL TORQUE SPECIFICATIONS SEE DWG NO. 128783-01-000

FOR ELECTRICAL CALLOUTS SEE DWG NO. 121339-01-000

- 1E2 ENTRANCE STEP-ELEC.
- 23T DRAINAGE SYSTEM-HEATED
- 265 CODES/STANDARDS-CSA/CMVSS
- 1B1 CODES/STANDARDS USA

FIRST USED	05 326A
TITLE	DO NOT SCALE DRAWING
SHEET 7	WIRING INSTL-BODY, 12V
PART NO	148502