



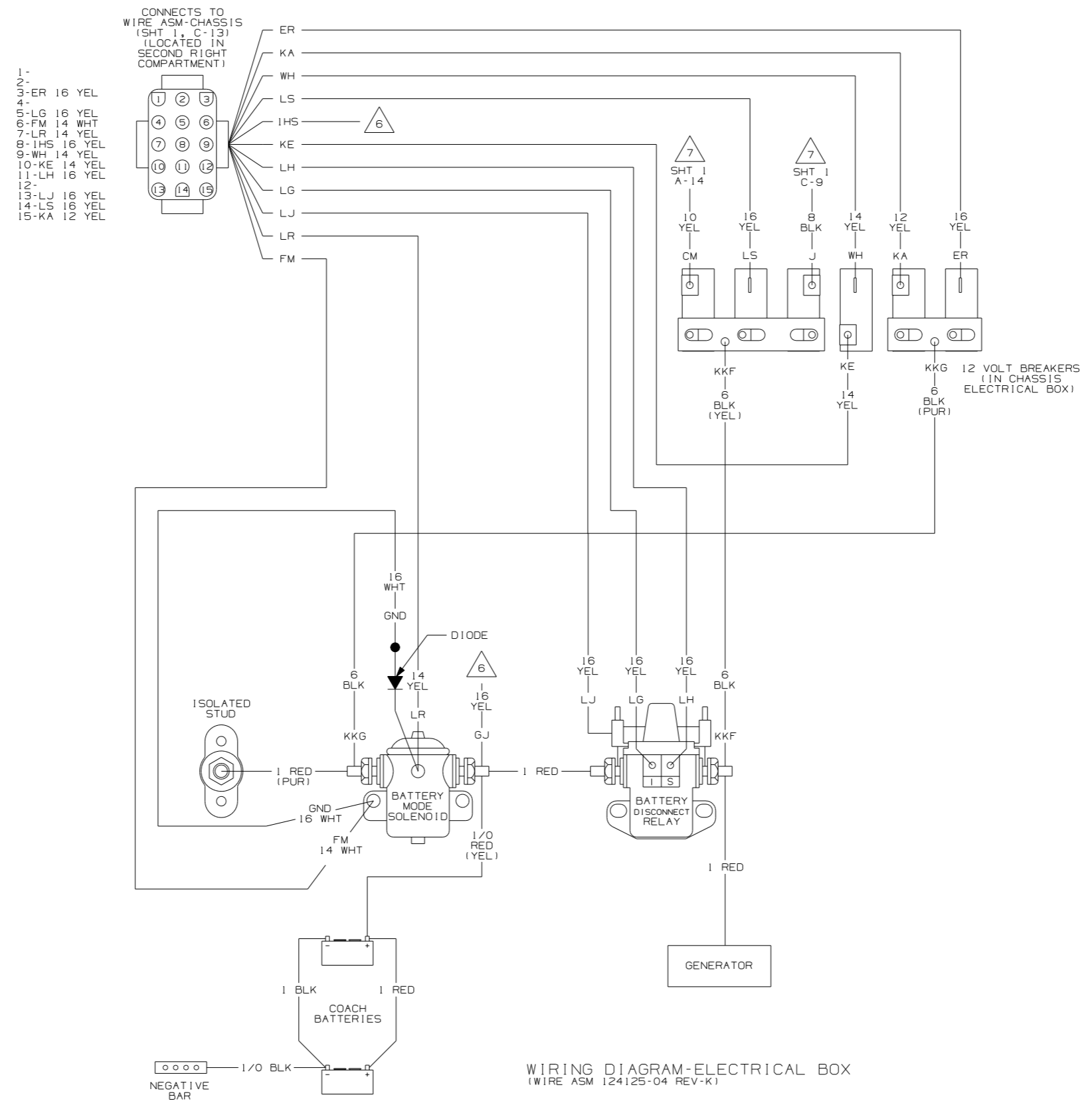
DANGER

Danger of electrical shock, burns or death. Always remove all power sources before attempting any repair, service or diagnostic work. Power can be present from shore power, generator, inverter or battery. All power sources must be disabled and secured before performing any service.



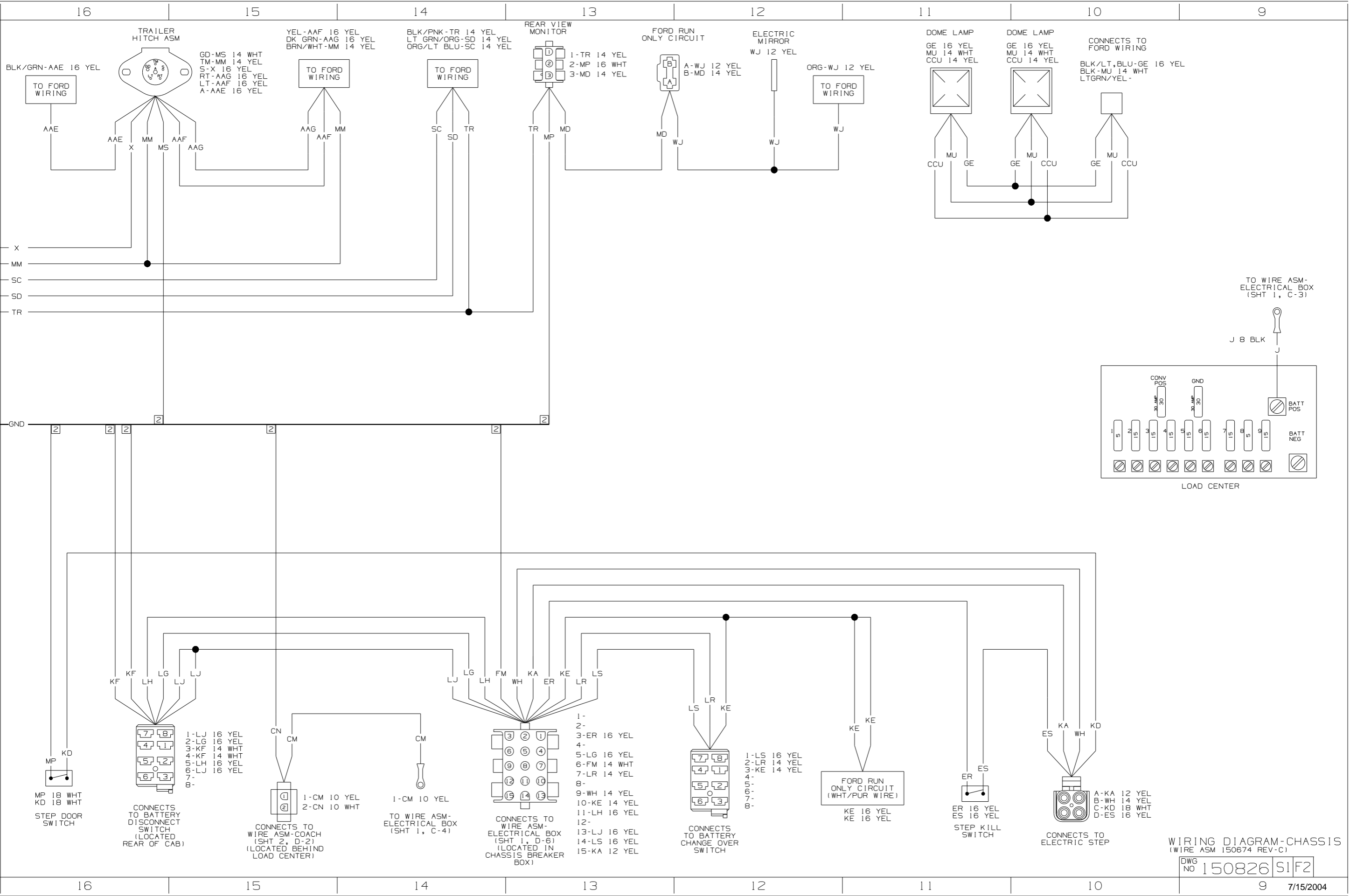
CAUTION

If you lack the skills, tools or equipment to perform diagnostic or repair work leave such work to an authorized Winnebago Industries dealer or other qualified shop.



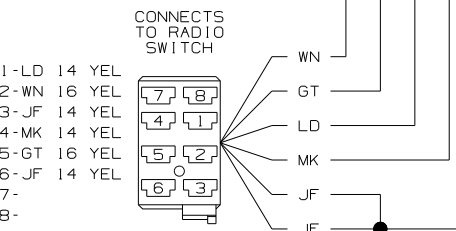
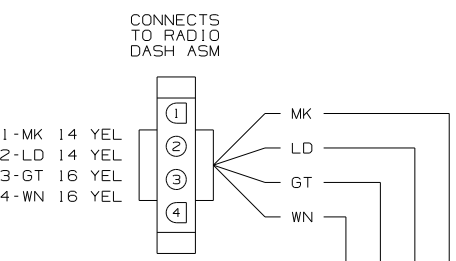
WIRING DIAGRAM-ELECTRICAL BOX
(WIRE ASM 124125-04 REV-K)

WINNEBAGO		COPYRIGHT 2004 WINNEBAGO INDUSTRIES, INC.	
DFTR	ORIG. DATE	ALL DIMENSIONS ARE IN MILLIMETERS	
CHRR		FIRST USED	
P.E.		05 324V	
M.E.		UNSPECIFIED TOLERANCES ARE:	
DSNR		MATERIAL:	
		WHOLE DIM (X)	:
		ONE-PLACE (X,X)	:
		TWO-PLACE (X,XX)	:
		ANGLE	:
		THIRD ANGLE PROJECTION	:
DO NOT SCALE DRAWING			
TITLE: WIRING DIAGRAM-BODY, 12V			
SHEET 1 of 5	PART NO	150826	
REF: 150257 1		7/15/2004	

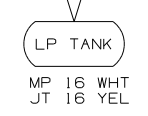
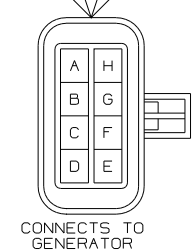
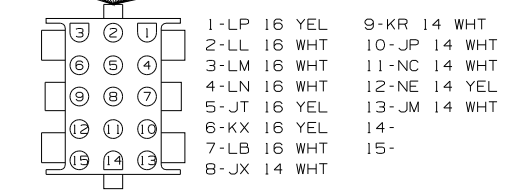
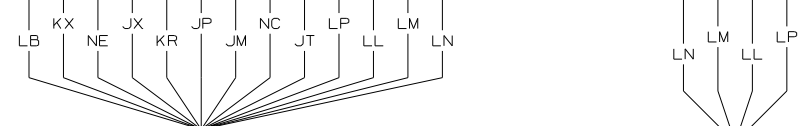
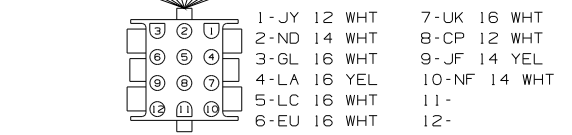
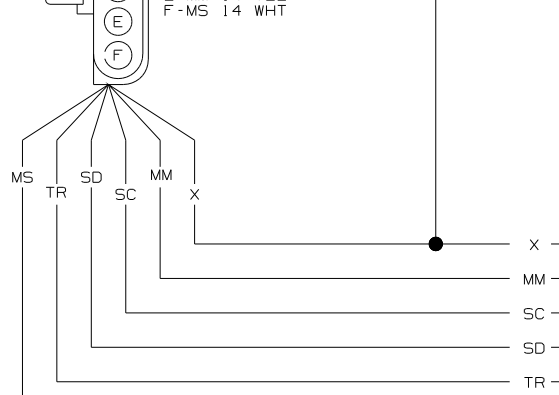
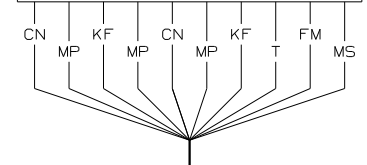
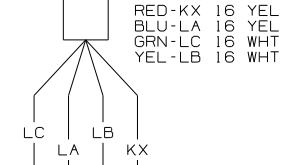
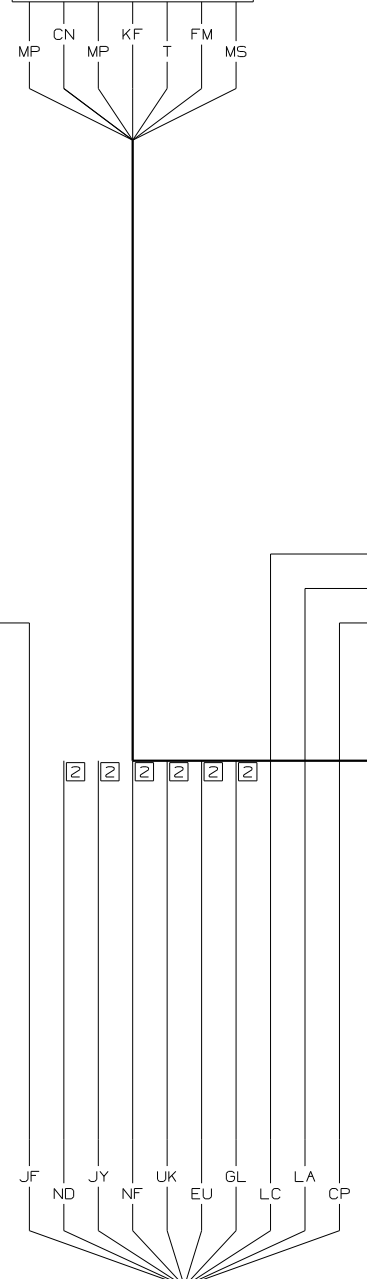
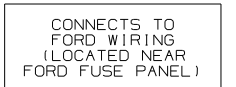
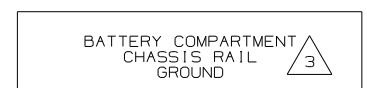
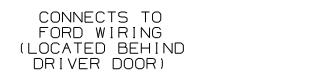


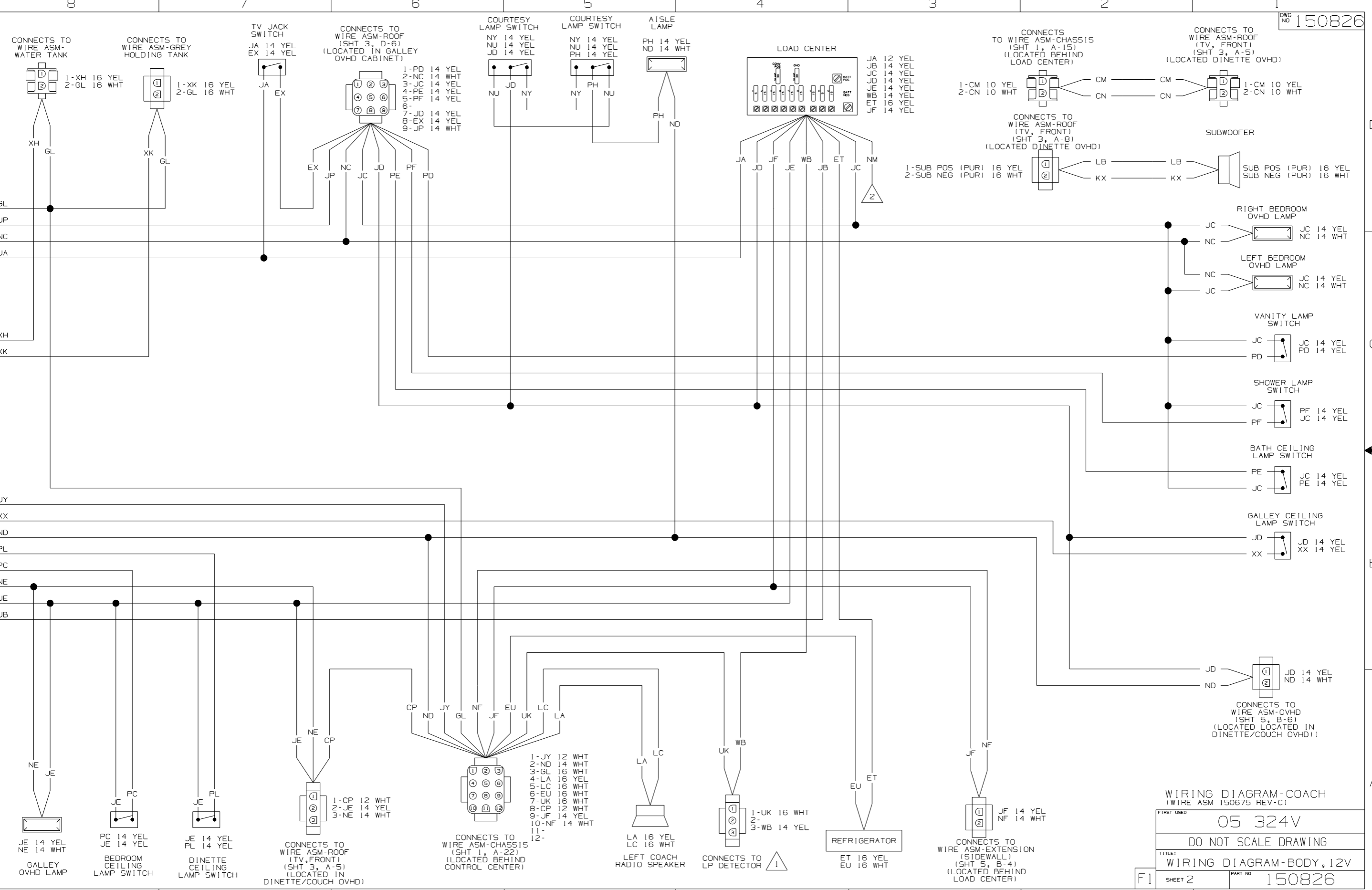
WIRING DIAGRAM-CHASSIS (WIRE ASM 150674 REV-C)

DWG No 150826 S1 F2



- 7 SEE WIRING DIAGRAM-CHASSIS FOR ADDITIONAL INFORMATION.
- 6 UNUSED WIRE, TAPE BACK INTO LOOM.
- 5 SEE WIRING DIAGRAM-AUTO LAMPS FOR ADDITIONAL INFORMATION.
- 4 SEE MANUFACTURER'S DIAGRAM FOR ADDITIONAL INFORMATION.
- 3 GROUNDS ARE SHOWN AS A SINGLE LINE FOR EASE IN TRACING. EACH GROUND CIRCUIT IS SEPERATE IN THE HARNESS.
- 2 NOT A SPLICE POINT. INDICATES ENTRY INTO WIRING HARNESS.
1. SPLICES ARE THEORETICAL AND MAY DIFFER IN THE HARNESS.





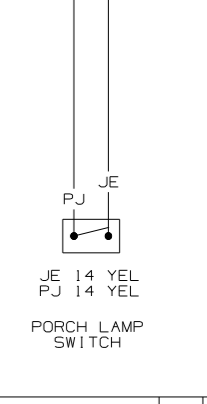
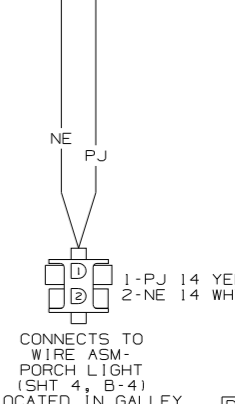
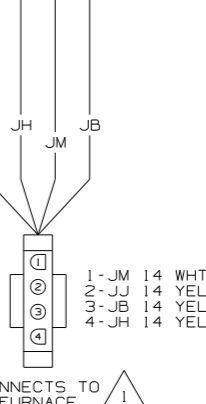
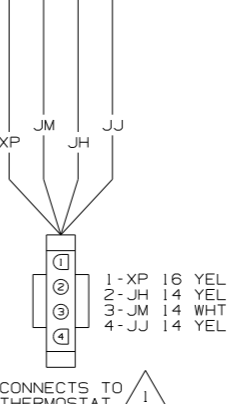
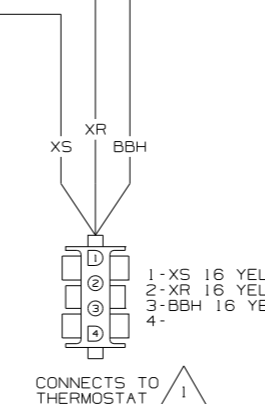
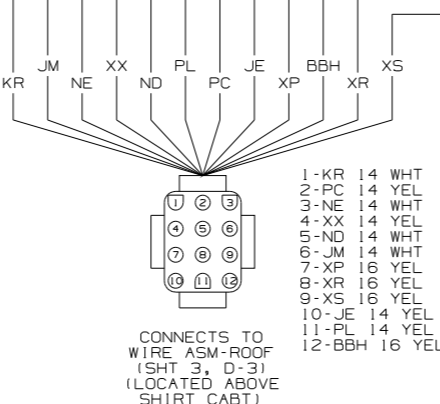
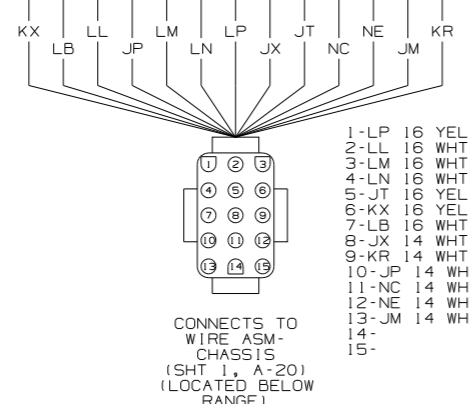
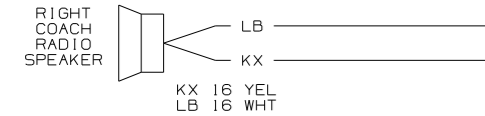
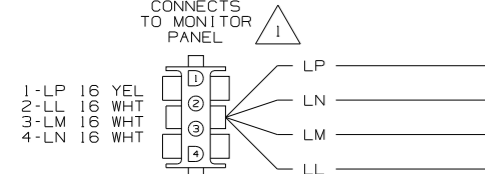
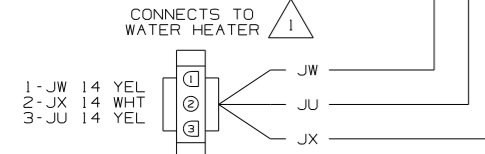
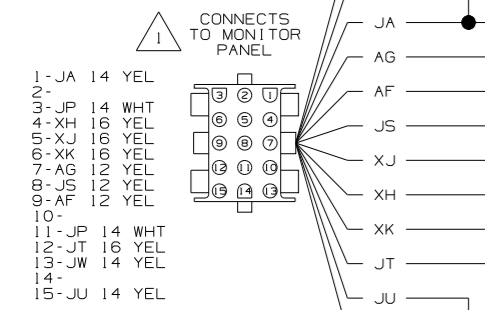
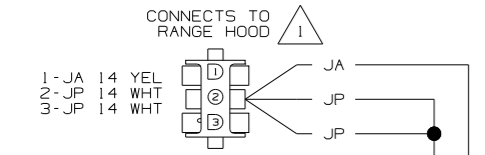
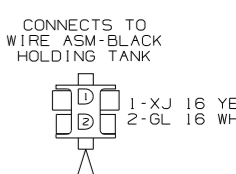
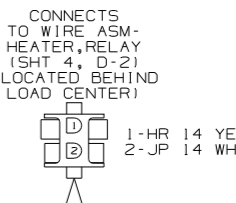
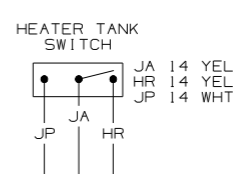
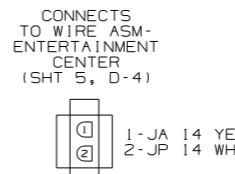
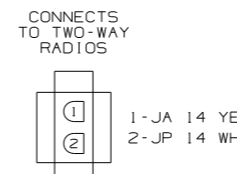
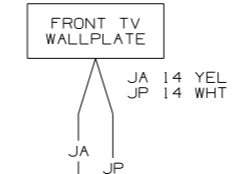
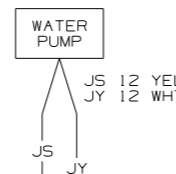
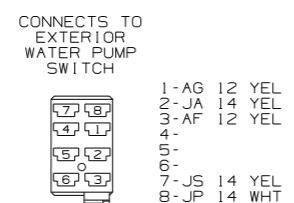
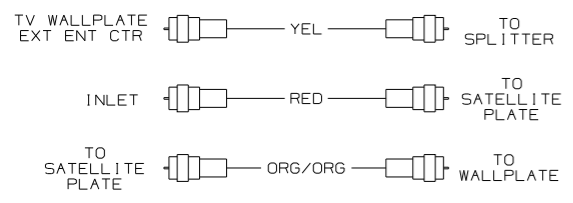
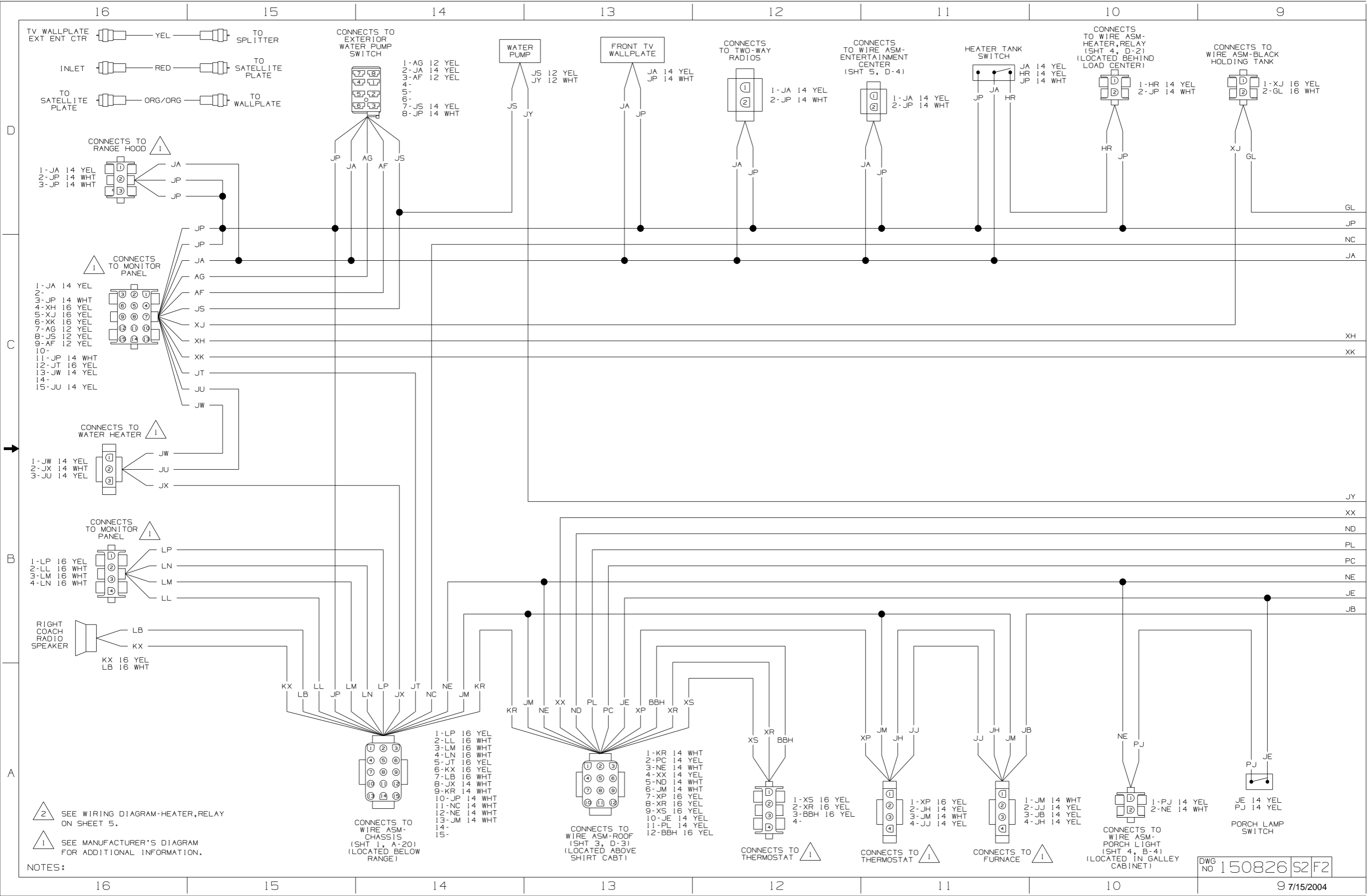
WIRING DIAGRAM-COACH (WIRE ASM 150675 REV-C)

FIRST USED 05 324V

DO NOT SCALE DRAWING

TITLE: WIRING DIAGRAM-BODY, 12V

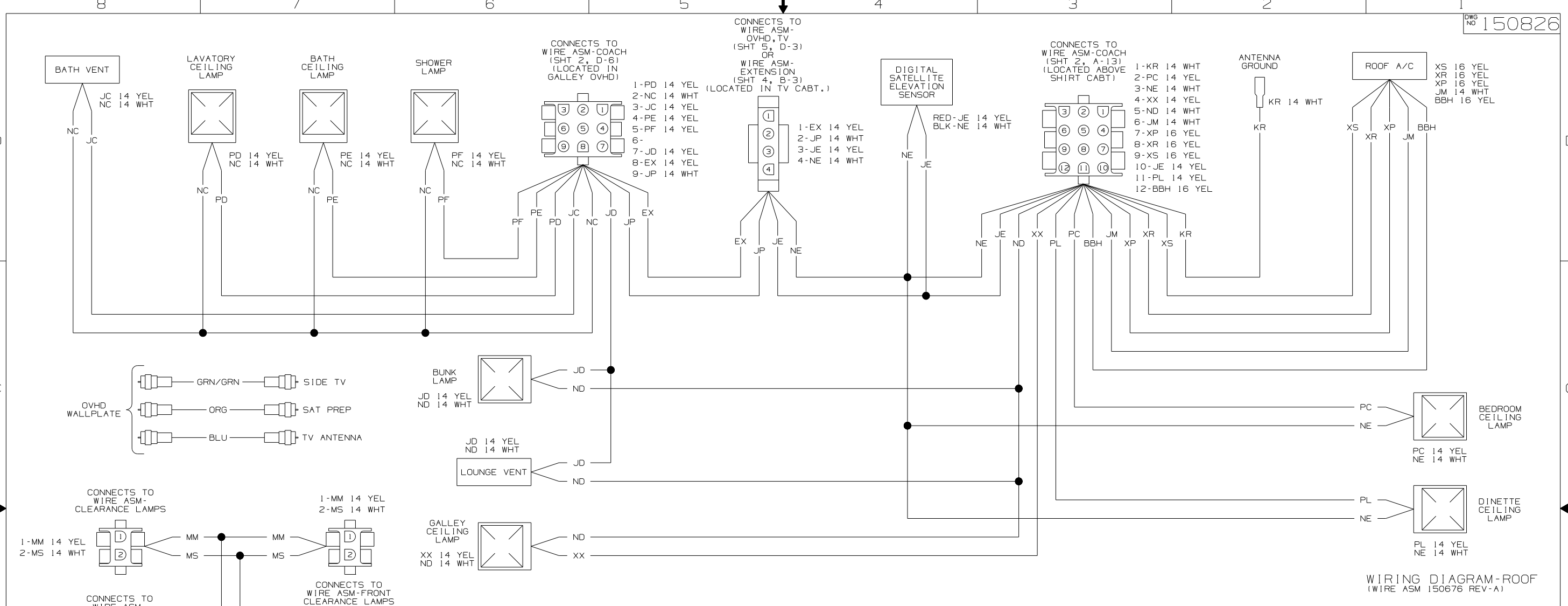
SHEET 2 PART NO 150826



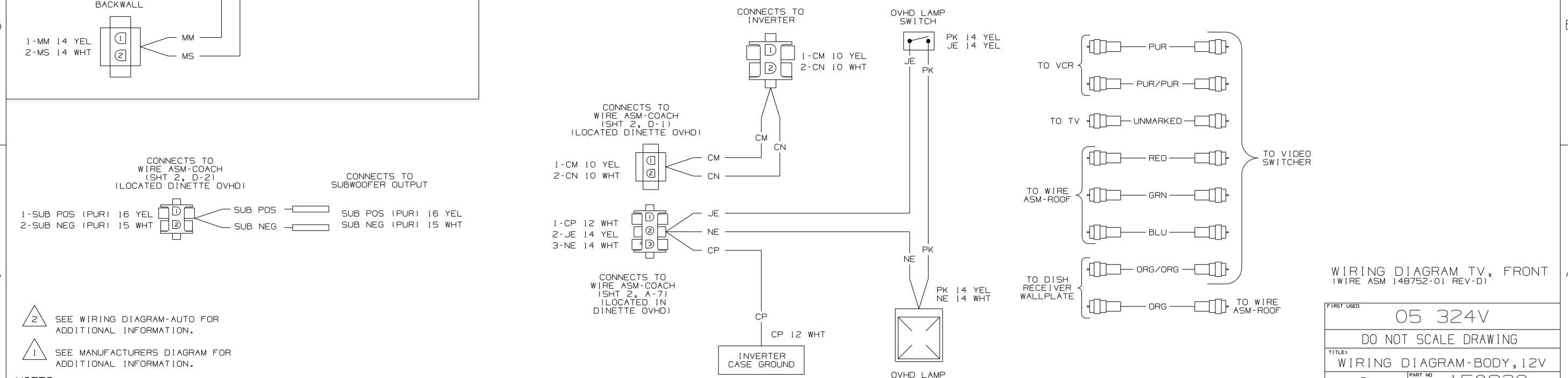
NOTES:

2 SEE WIRING DIAGRAM-HEATER, RELAY ON SHEET 5.

1 SEE MANUFACTURER'S DIAGRAM FOR ADDITIONAL INFORMATION.



WIRING DIAGRAM-ROOF (WIRE ASM 150676 REV-A)

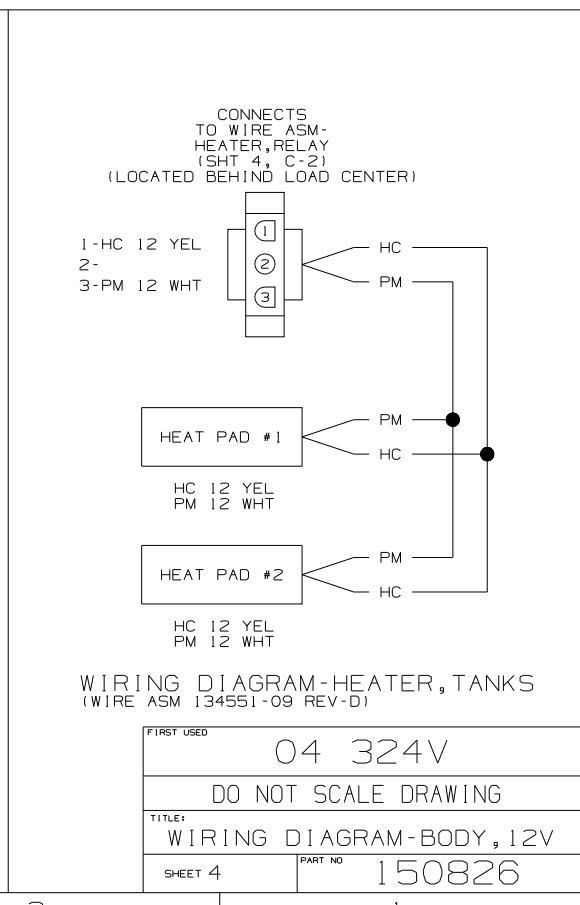
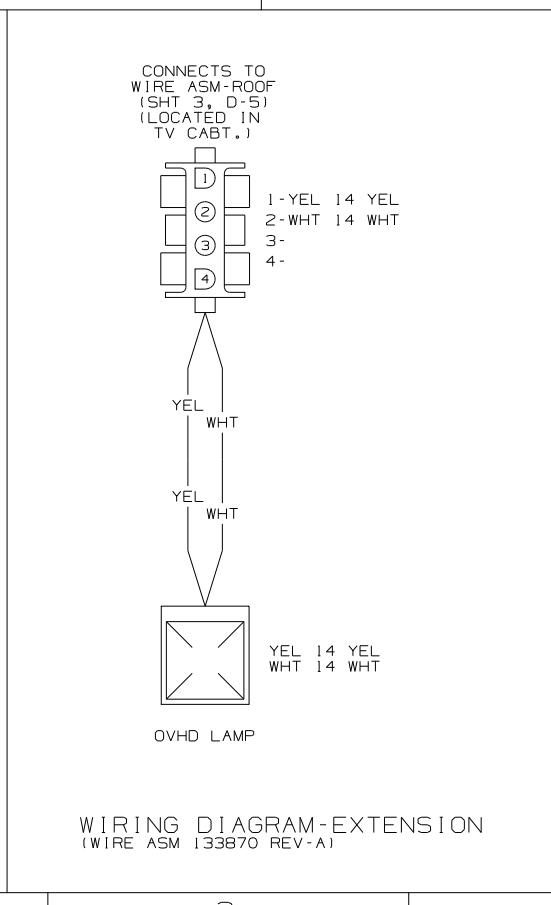
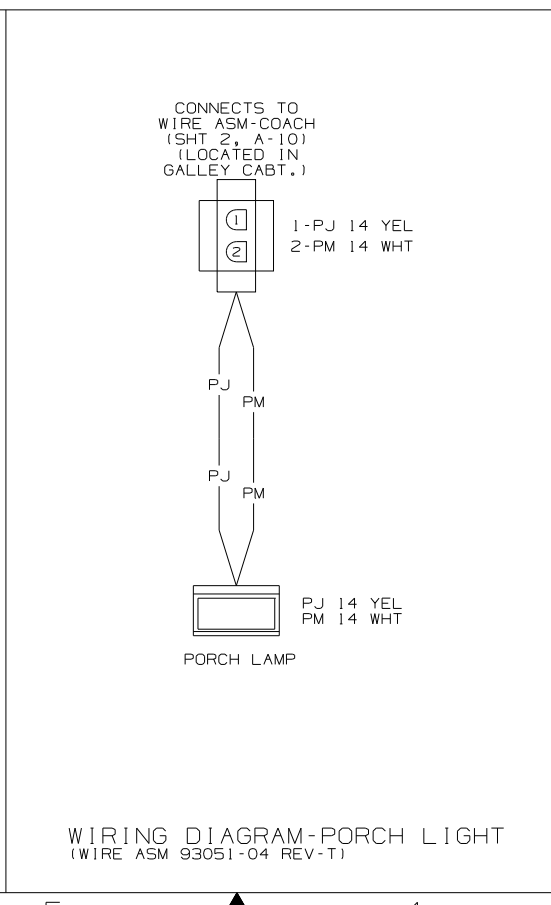
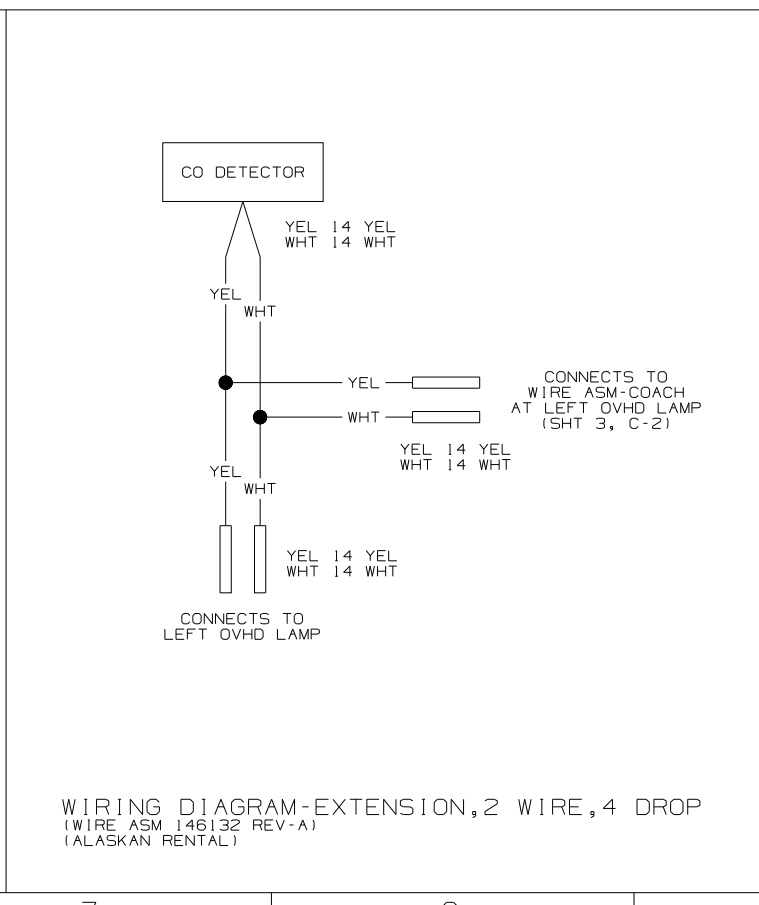
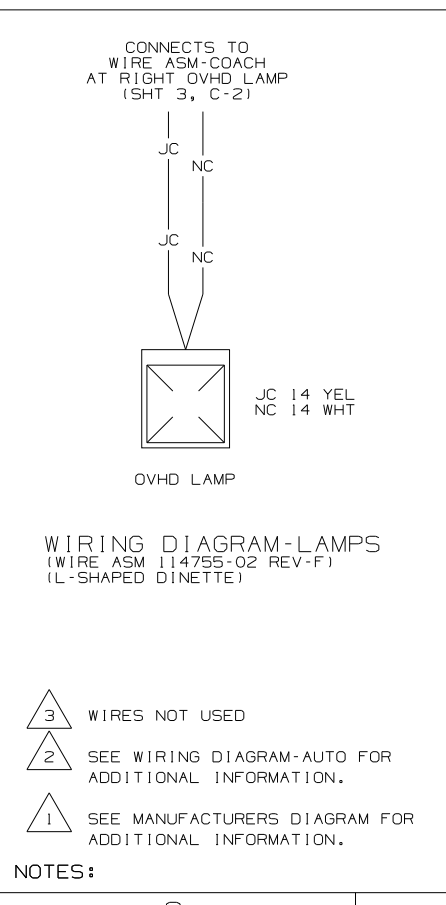
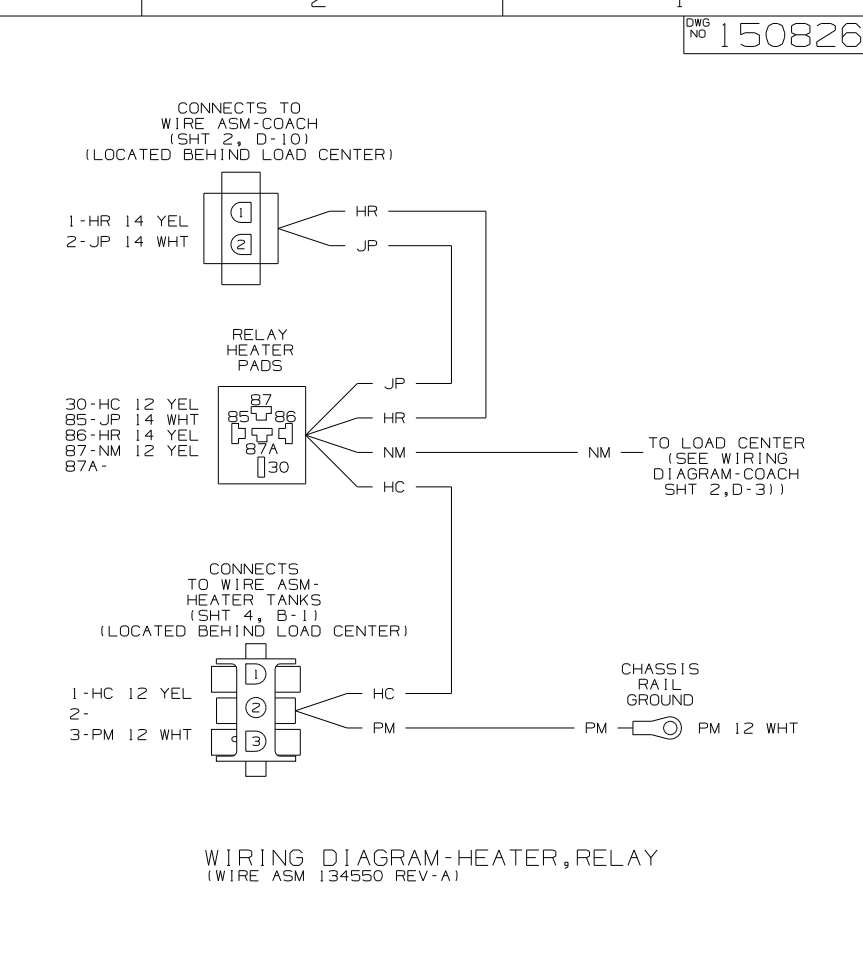
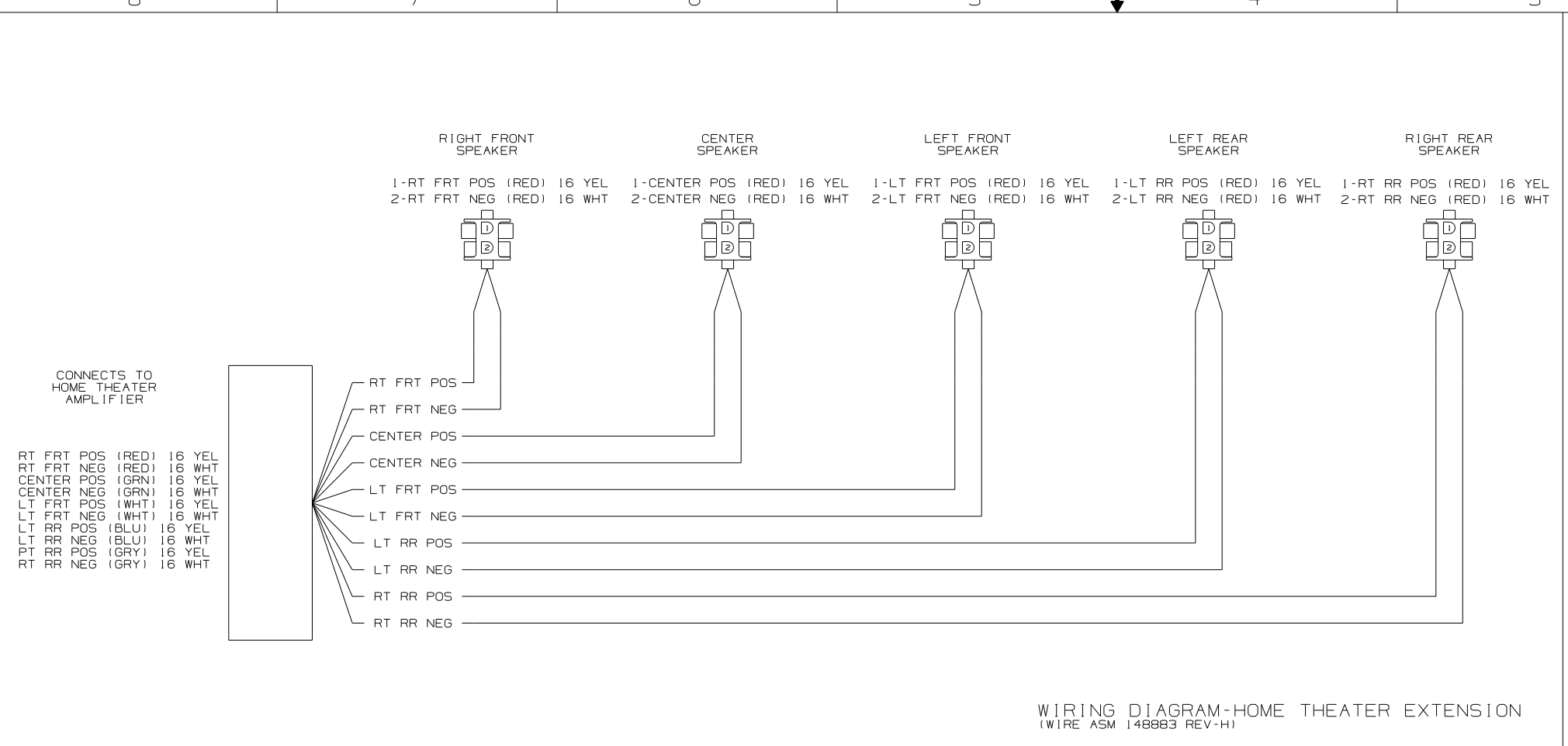


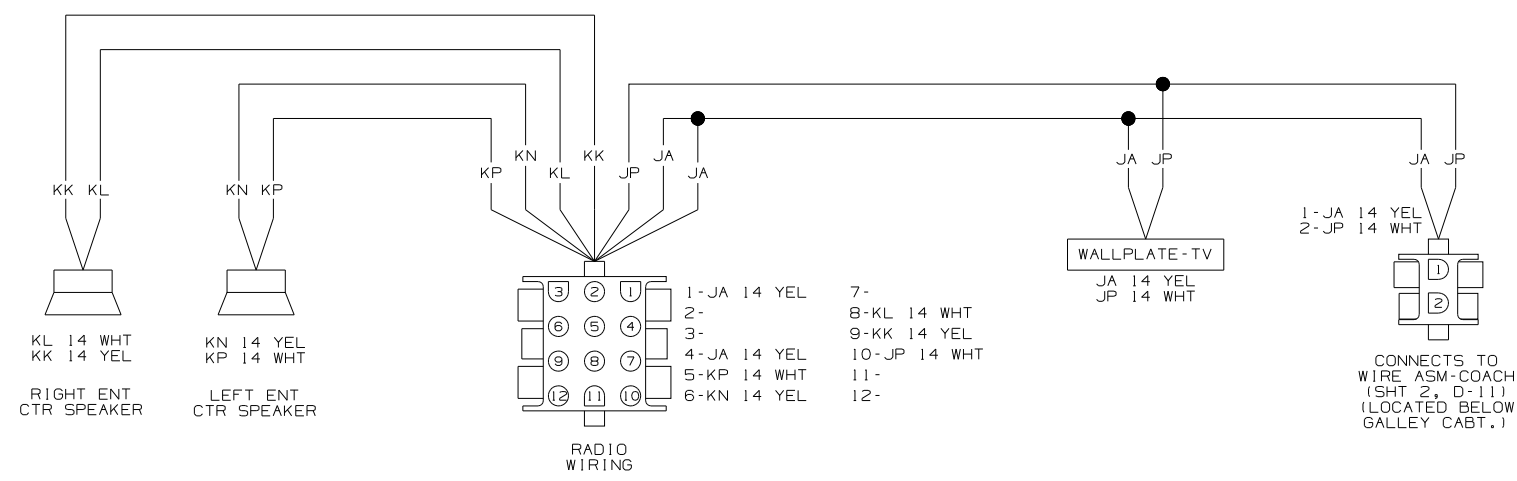
WIRING DIAGRAM TV, FRONT (WIRE ASM 148752-01 REV-D)

NOTES:

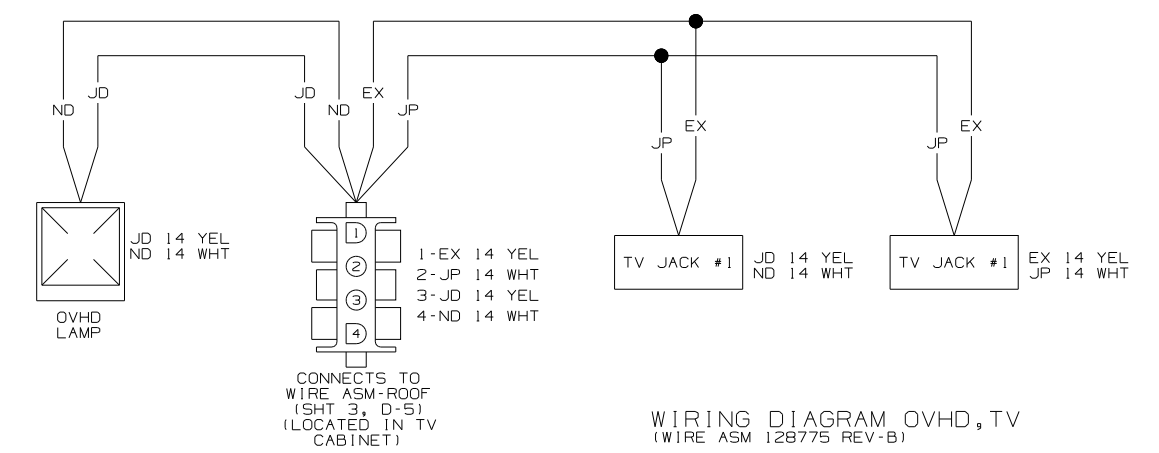
- 2 SEE WIRING DIAGRAM-AUTO FOR ADDITIONAL INFORMATION.
- 1 SEE MANUFACTURERS DIAGRAM FOR ADDITIONAL INFORMATION.

FIRST USED	05 324V
TITLE	DO NOT SCALE DRAWING
TITLE	WIRING DIAGRAM-BODY, 12V
SHEET 3	PART NO 150826

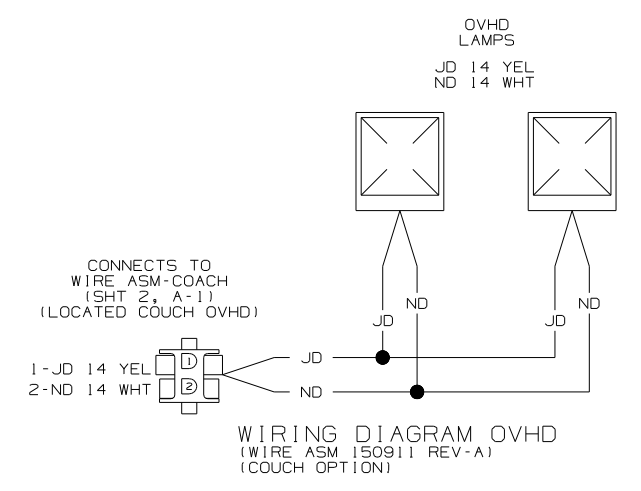




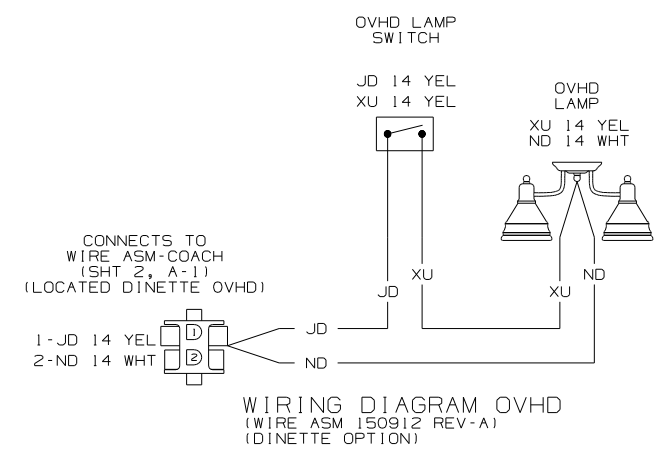
WIRING DIAGRAM-ENTERTAINMENT CENTER
(WIRE ASM 125853-04 REV-L)



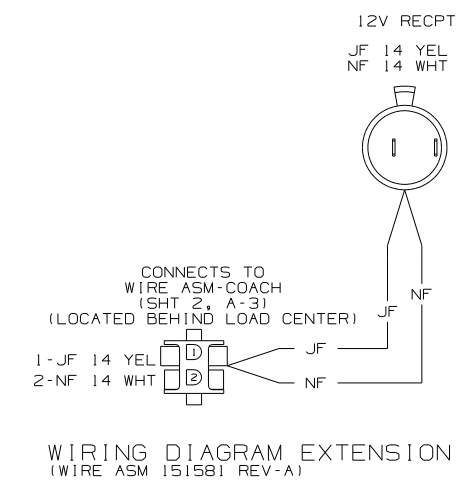
WIRING DIAGRAM OVHD,TV
(WIRE ASM 128775 REV-B)



WIRING DIAGRAM OVHD
(WIRE ASM 150911 REV-A)
(COUCH OPTION)



WIRING DIAGRAM OVHD
(WIRE ASM 150912 REV-A)
(DINETTE OPTION)



WIRING DIAGRAM EXTENSION
(WIRE ASM 151581 REV-A)

WIRING DIAGRAM-TV,FRONT
(WIRE ASM 142345-02 REV-E)

FIRST USED	04 324V
TITLE	DO NOT SCALE DRAWING
TITLE	WIRING DIAGRAM-BODY,12V
SHEET 5	PART NO 150826

- NOTES:
- 2 SEE WIRING DIAGRAM-AUTO FOR ADDITIONAL INFORMATION.
 - 1 SEE MANUFACTURERS DIAGRAM FOR ADDITIONAL INFORMATION.