



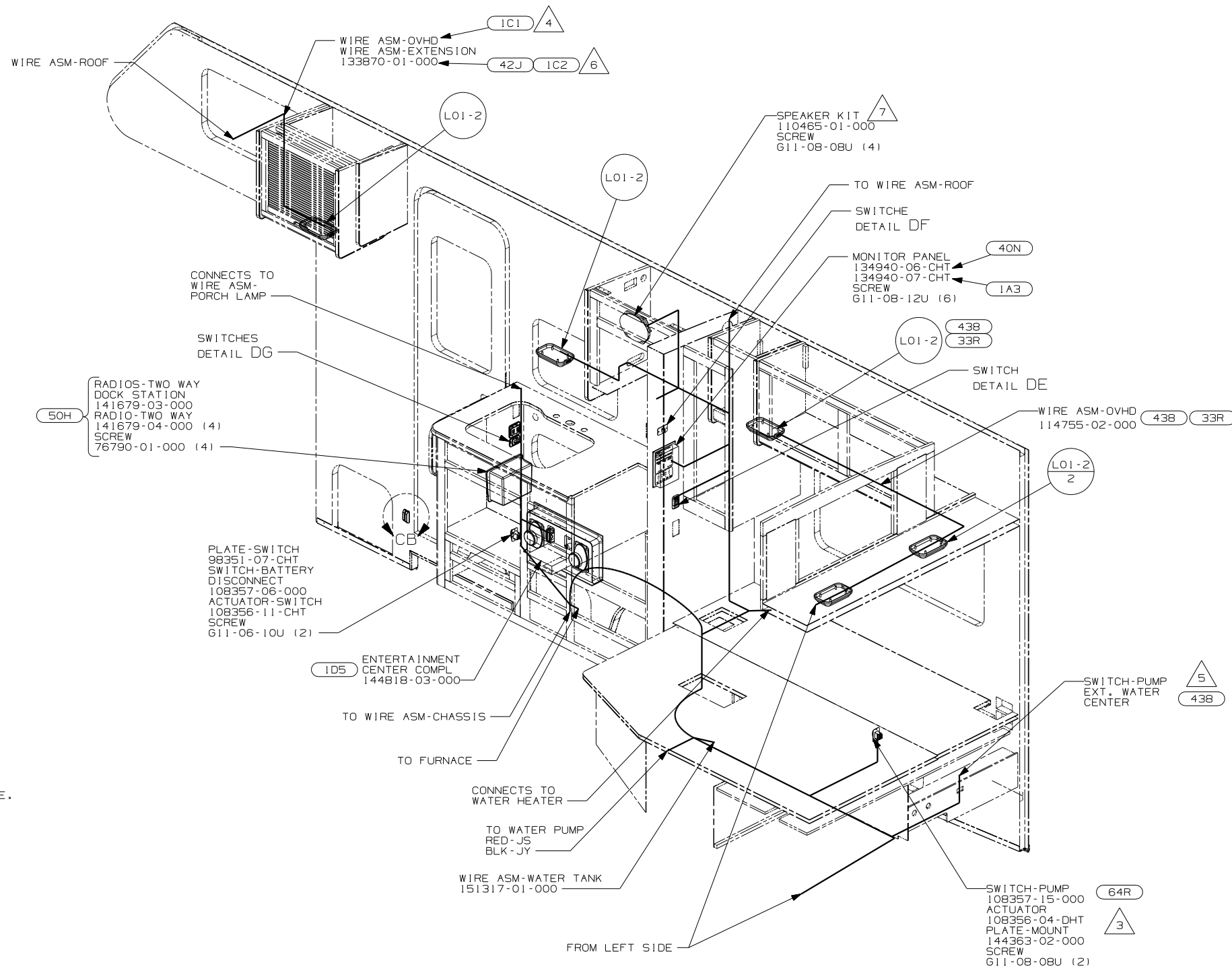
DANGER

Danger of electrical shock, burns or death. Always remove all power sources before attempting any repair, service or diagnostic work. Power can be present from shore power, generator, inverter or battery. All power sources must be disabled and secured before performing any service.



CAUTION

If you lack the skills, tools or equipment to perform diagnostic or repair work leave such work to an authorized Winnebago Industries dealer or other qualified shop.



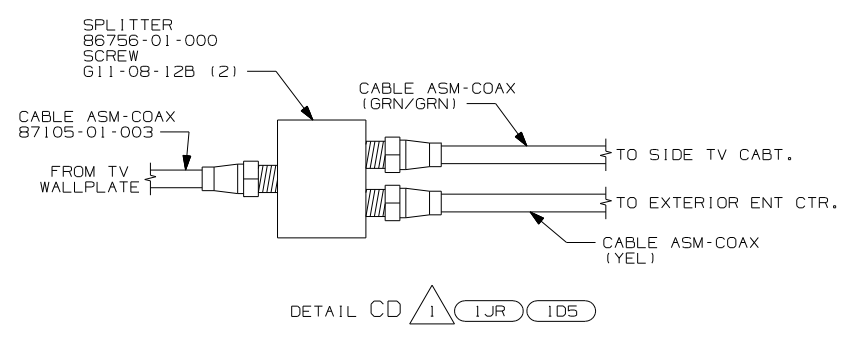
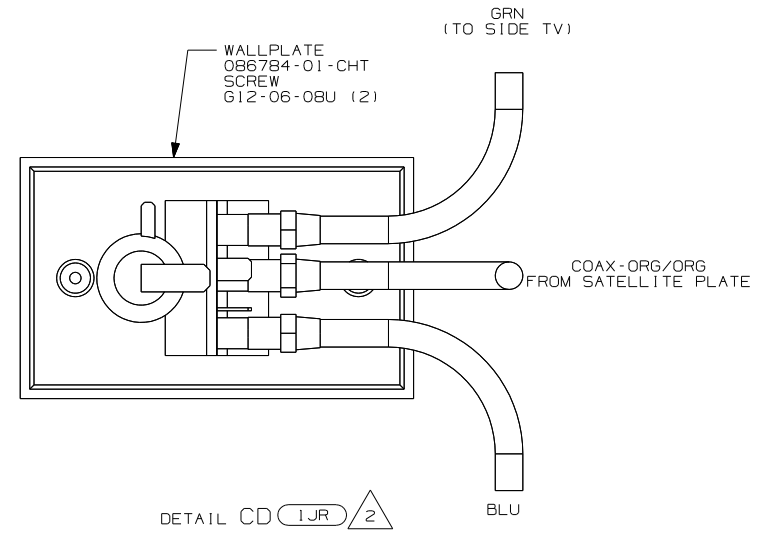
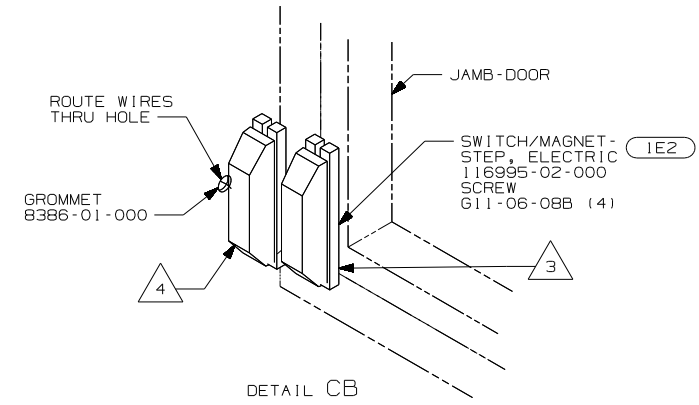
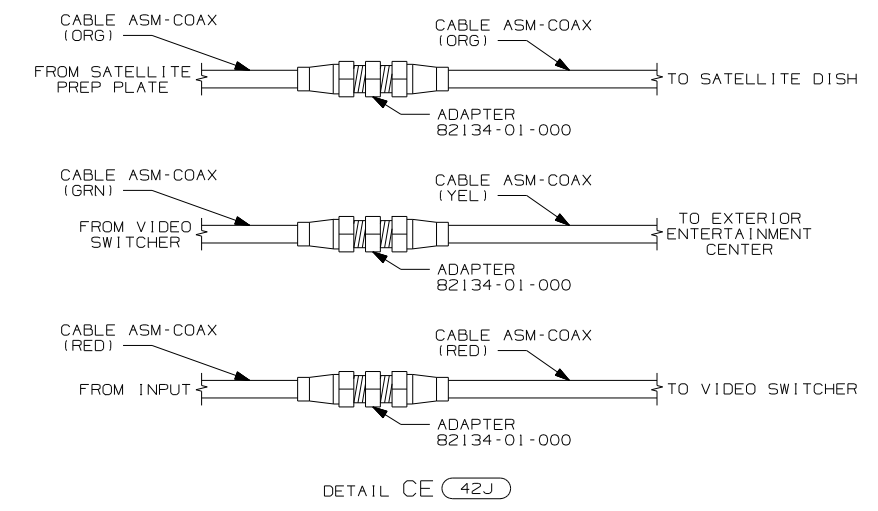
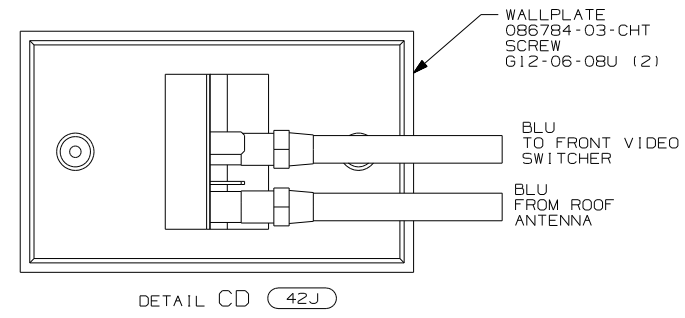
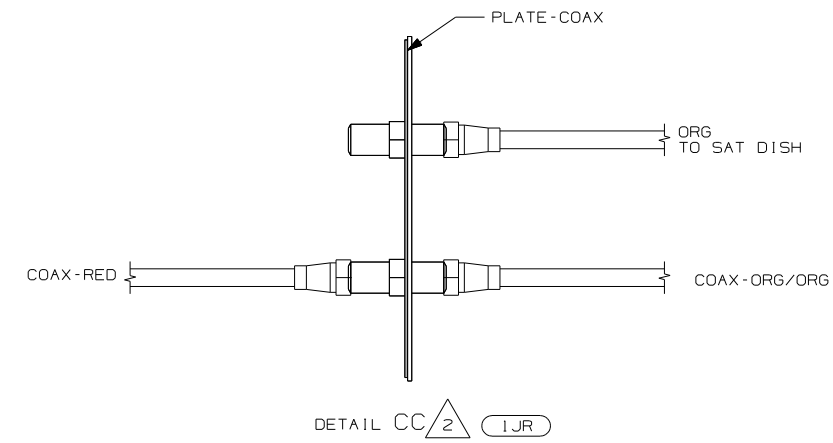
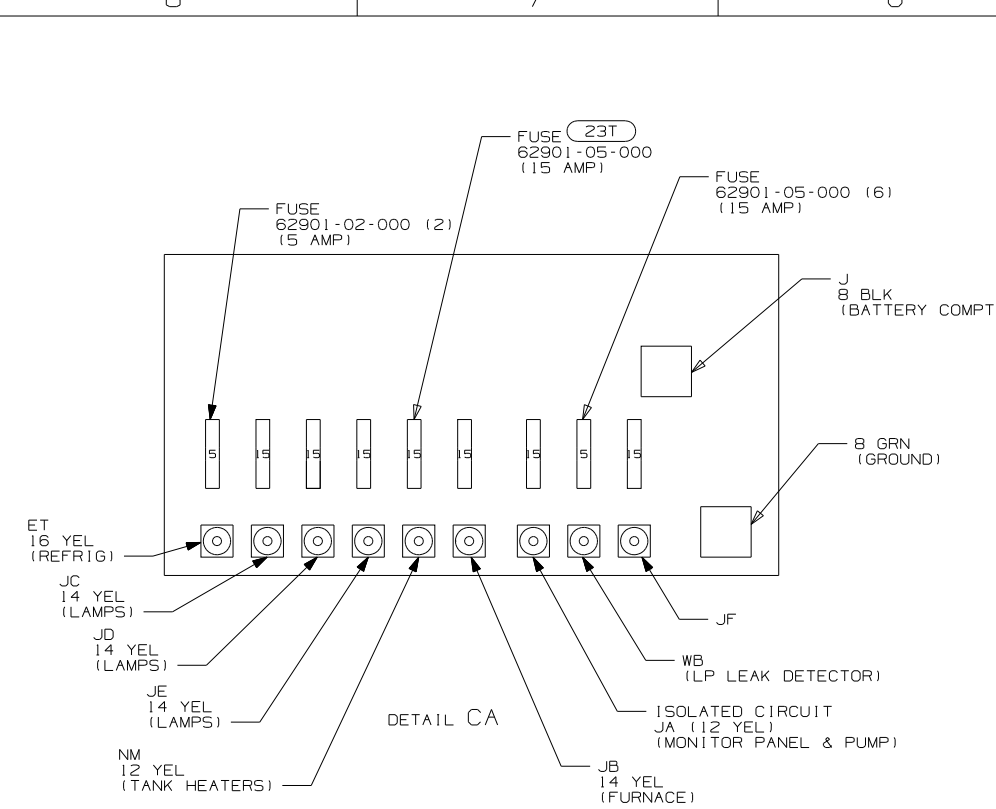
- 7 USE ONE OF THE SPEAKERS PROVIDED IN THE KIT. SEND THE SCREWS IN THE KIT TO THE SURPLUS STORE. SEND THE KIT WIRE ASM-PIGTAIL TO WIRE PREP TO BE INCORPORATED INTO A WIRE LOOM.
- 6 GRN/GRN COAX IS NOT USED WITH (42J).
- 5 SWITCH MOVES TO THIS LOCATION WITH (43B) OPTION.
- 4 SEE CABT ASM-OVHD FOR ADDITIONAL INFORMATION.
- 3 WITHOUT (64R), SECURE SWITCH ASM AND WIRE DROP BACK ALONG MAIN HARNESS.
- 2 MOUNT SWITCH AND SPACER TO BLOCK ON JAMB. ADJUST HEIGHT TO MATCH MAGNET.
- 1 MOUNT MAGNET USING PILOT HOLES IN SCREEN DOOR FRAME. MOUNT WITH MAGNET TOWARD SWITCH.

- (64R) EXTERIOR WASH STATION
- (50H) RADIOS TWO-WAY (4)
- (49X) BED-QUEEN-BACKWALL
- (43B) DINETTE L-SHAPED
- (42J) TV-24" COLOR, STEREO W/REMOTE
- (40N) GEN-4.0KW-ONAN-GAS-MICROLITE
- (33R) DINETTE L-SHAPED (CSA)
- (23T) HEATED HOLDING TANKS-PACKAGE
- (1E2) ENTRANCE STEP-ELECTRIC
- (1D5) ENTERTAINMENT CENTR/EXT W/CD
- (1C2) CABT-SIDE-CAB OVHD W/O TV ST
- (1C1) CABINET-SIDE W/TV STORAGE
- (1A3) GENERATOR WITHOUT
- (265) CODES/STANDARDS-CSA/CMVSS
- (1B1) CODES/STANDARDS USA

FOR ELECTRICAL TORQUE SPECIFICATIONS SEE DWG NO. 128783-01-000

FOR ELECTRICAL CALLOUTS SEE DWG NO. 121339-01-000

| | |
|------------|------------------------|
| FIRST USED | 05 324V |
| TITLE | DO NOT SCALE DRAWING |
| | WIRING INSTL-BODY, 12V |
| SHEET 2 | PART NO 150672 |



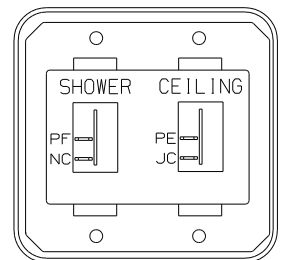
- NOTES:
- 4. MOUNT SWITCH AND SPACER TO BLOCK ON JAMB. ADJUST HEIGHT TO MATCH MAGNET.
 - 3. MOUNT MAGNET USING PILOT HOLES IN SCREEN DOOR FRAME. MOUNT WITH MAGNET TOWARD SWITCH.
 - 2. NOT USED WITH (42J).
 - 1. WITH FRONT ENTERTAINMENT CENTER, SEE WIRING INSTL-TV/VCR, FRONT FOR ADDITIONAL INFORMATION.

FOR ELECTRICAL TORQUE SPECIFICATIONS SEE DWG NO. 128783-01-000

FOR ELECTRICAL CALLOUTS SEE DWG NO. 121339-01-000

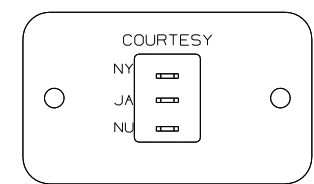
- (42J) TV-24" COLOR, STEREO W/REMOTE
- (23T) DRAINAGE SYSTEM-HEATED
- (1JR) TV-13" W/DVD-12V
- (1E2) ENTRANCE STEP-ELEC.
- (1D5) ENTERTAINMENT CENTER/EXT W/CD
- (265) CODES/STANDARDS-CSA/CMVSS
- (1B1) CODES/STANDARDS USA

| | |
|----------------------|------------------------|
| FIRST USED | 05 324V |
| DO NOT SCALE DRAWING | |
| TITLE: | WIRING INSTL-BODY, 12V |
| SHEET 3 | PART NO 150672 |



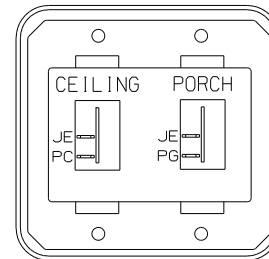
SWITCH-ROCKER
135740-01-CHT (2)
SWITCH-BASE
135741-02-CHT
SWITCH-BEZEL
135742-15-CHT
SCREW
G11-08-08U (4)

DETAIL DA



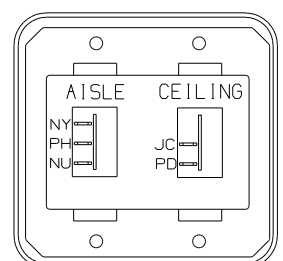
SWITCH-PLATE
098351-01-CHT
SWITCH
132180-02-CHT
SCREW
G11-06-16U (2)

DETAIL DD



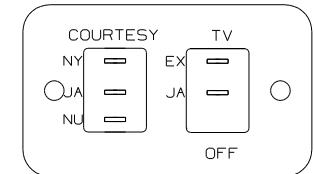
SWITCH-ROCKER
135740-01-CHT (2)
SWITCH-BASE
135741-02-CHT
SWITCH-BEZEL
135742-19-CHT
SCREW
G11-08-08U (4)

DETAIL DG



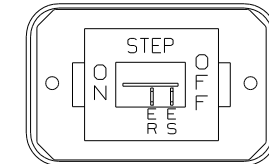
SWITCH-ROCKER
135740-01-CHT
135740-02-CHT
SWITCH-BASE
135741-02-CHT
SWITCH-BEZEL
135742-13-CHT
SCREW
G11-08-08U (4)

DETAIL DB



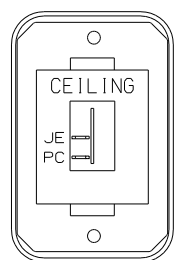
SWITCH-COURTESY
132180-02-CHT
SWITCH-TV
132180-01-CHT
SWITCH-PLATE
098351-15-CHT
SCREW
G11-06-16U (2)

DETAIL DD



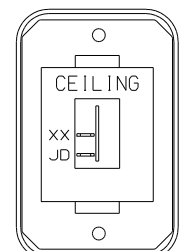
SWITCH-ROCKER
135740-01-CHT
SWITCH-BASE
135741-01-CHT
SWITCH-BEZEL
135742-11-CHT
SCREW
G11-08-08U (2)

DETAIL DG



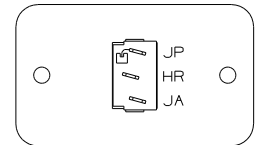
SWITCH-ROCKER
135740-01-CHT
SWITCH-BASE
135741-01-CHT
SWITCH-BEZEL
135742-07-CHT
SCREW
G11-08-08U (2)

DETAIL DE



SWITCH-ROCKER
135740-01-CHT
SWITCH-BASE
135741-01-CHT
SWITCH-BEZEL
135742-07-CHT
SCREW
G11-08-08U (2)

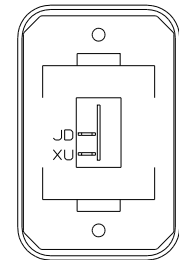
DETAIL DC



SWITCH-HEATER
89308-05-CHT
PLATE-SWITCH
098351-01-CHT
SCREW
G11-06-16J (2)
LABEL-SWITCH
134563-01-CHT

HOLDING TANK HEATER
TURN OFF When Not In Use
SEE OPERATORS MANUAL

DETAIL DF



SWITCH-ROCKER
135740-01-CHT
SWITCH-BASE
135741-01-CHT
SWITCH-BEZEL
135742-01-CHT
SCREW
G11-08-08U (2)

DETAIL DH

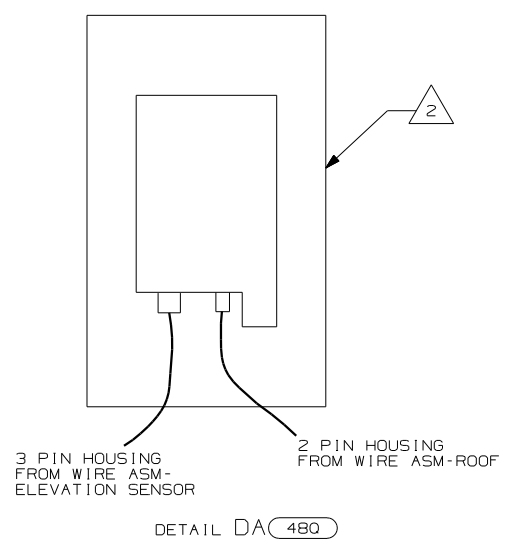
- (42J) TV-24" COLOR, STEREO W/REMOTE
- (23T) DRAINAGE SYSTEM-HEATED
- (14W) DINETTE
- (1JR) TV-13" W/DVD-12V
- (1E2) ENTRANCE STEP-ELEC.
- (1C2) CABT-SIDE-CAB OVHD W/O TV ST
- (265) CODES/STANDARDS-CSA/CMVSS
- (1B1) CODES/STANDARDS USA

(1B1) (265)

FOR ELECTRICAL
TORQUE
SPECIFICATIONS
SEE DWG NO.
128783-01-000

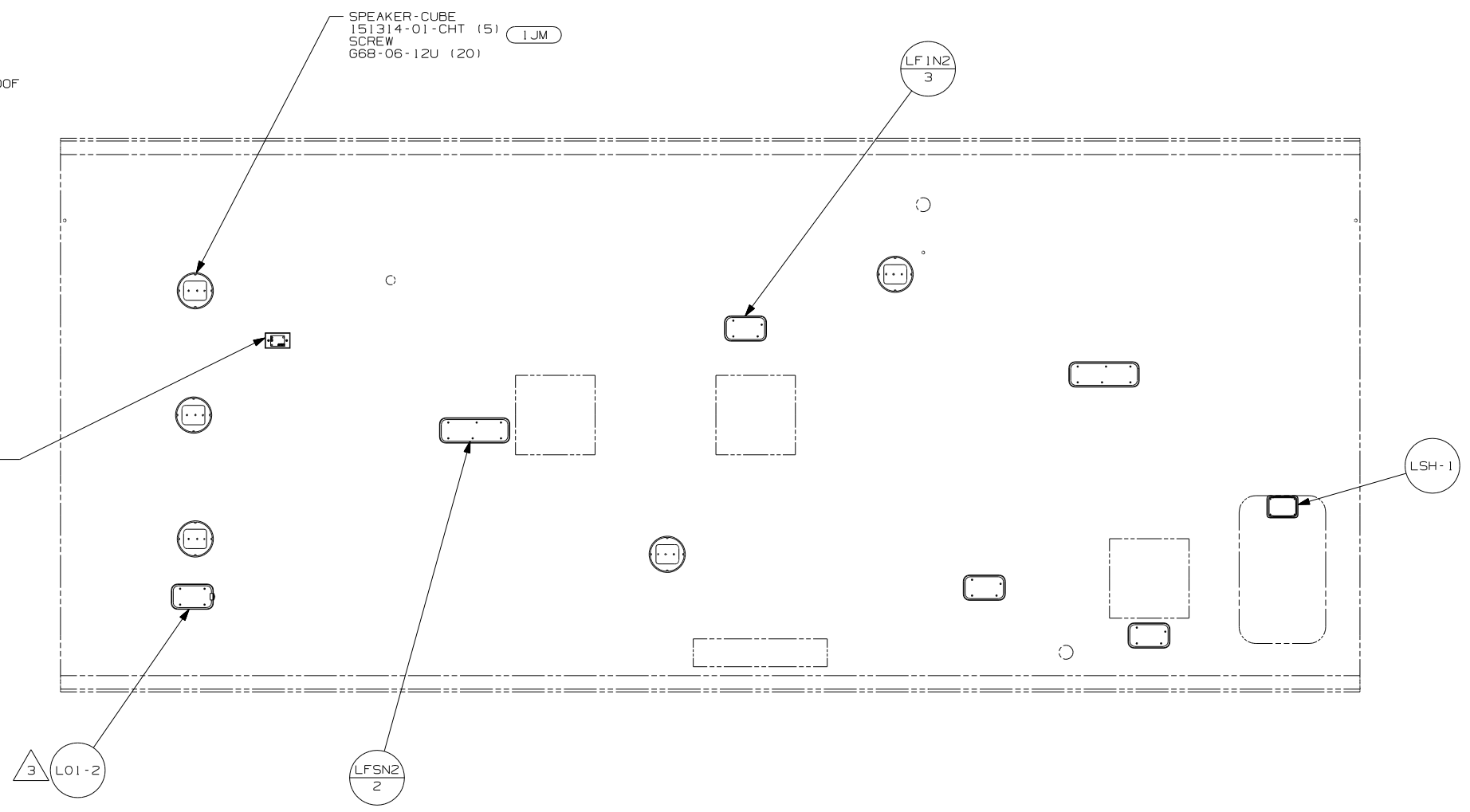
(X-X)
FOR
ELECTRICAL
CALLOUTS
SEE DWG NO.
121339-01-000

| | |
|------------|------------------------|
| FIRST USED | 05 324V |
| TITLE: | DO NOT SCALE DRAWING |
| | WIRING INSTL-BODY, 12V |
| SHEET 4 | PART NO 150672 |



SPEAKER-CUBE
151314-01-CHT (5) 1JM
SCREW
668-06-12U (20)

SATELLITE ELEVATION SENSOR
DETAIL DA



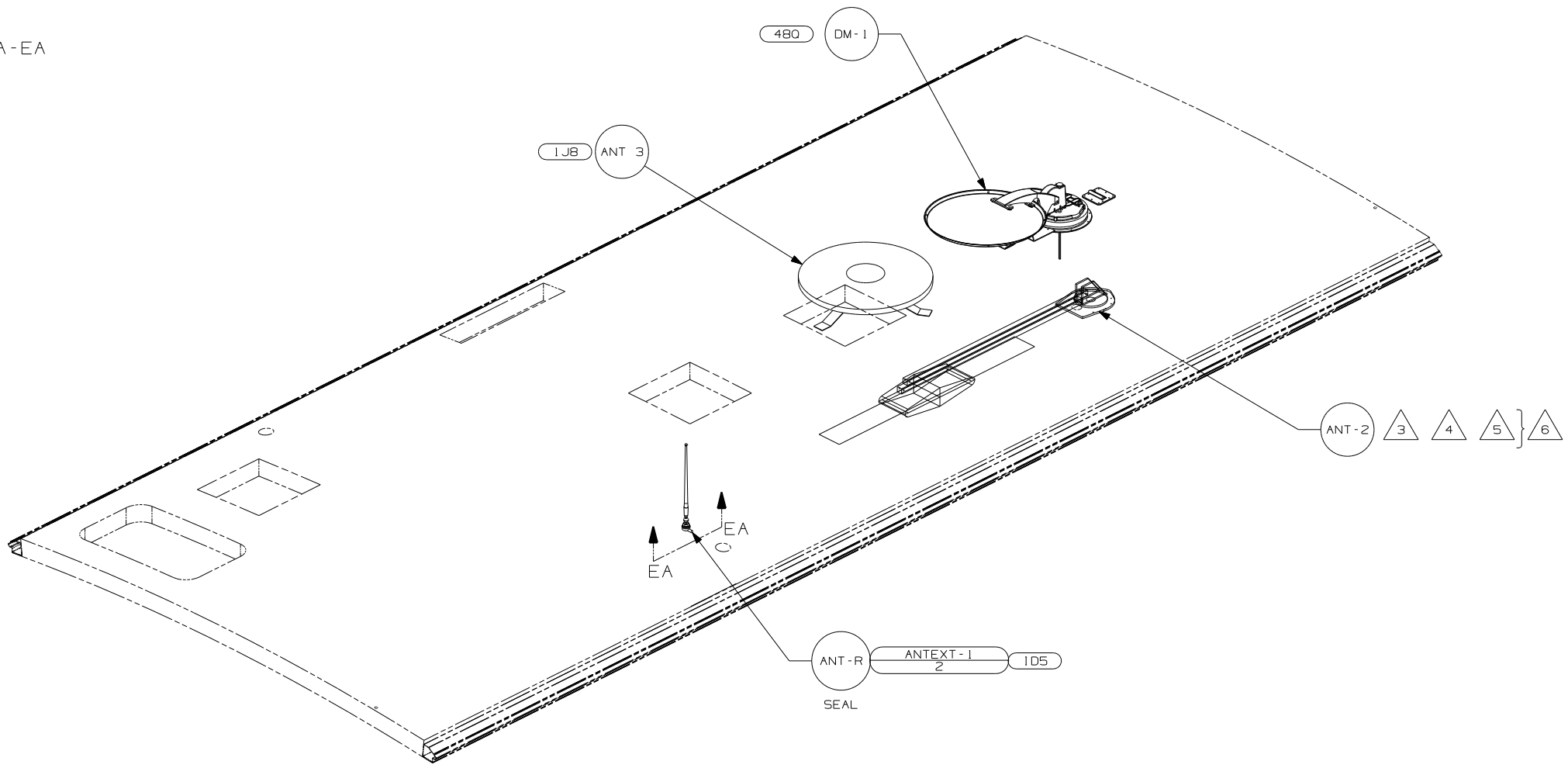
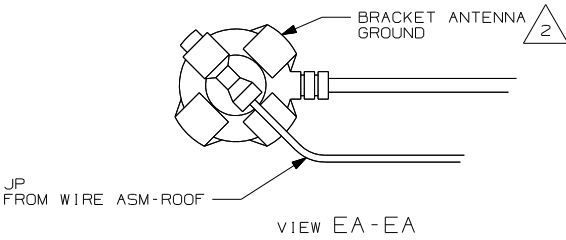
- NOTES:
- 3 NOT USED W/ 42J
 - 2 SENSOR SUPPLIED WITH SATELLITE ASSEMBLY.
 - 1. SEE ROOF ASM FOR ADDITIONAL INFORMATION.

- 480 SATELLITE DISH & ELEV.SENSOR
- 42J TV-25"STEREO/VIDEO SEL SYS
- 1JM HOME THEATER SOUND SYSTEM
- 265 CODES/STANDARDS-CSA/CMVSS
- 1B1 CODES/STANDARDS USA

FOR ELECTRICAL TORQUE SPECIFICATIONS SEE DWG NO. 128783-01-000

FOR ELECTRICAL CALLOUTS SEE DWG NO. 121339-01-000

| | |
|----------------------|------------------------|
| FIRST USED | 05 324V |
| DO NOT SCALE DRAWING | |
| TITLE: | WIRING INSTL-BODY, 12V |
| SHEET 5 | PART NO 150672 |



- △6 NOT USED WITH 1J8
- △5 ADD RUBBER BUMPERS TO ROOF UNDER EACH END OF ANTENNA IN DOWN POSITION.
- △4 LOCATE CLIP TO RETAIN CABLE BUT NOT TO RESTRICT ANTENNA.
- △3 SEE DRAWING 76319-01-000 FOR INSTALLATION OF TV ANTENNA.
- △2 WRAP BRACKET LEGS AROUND ANTENNA BASE.

1. CONNECTOR-PLUG, TRAILER 113589-01-000 TO BE SUPPLIED LOOSE IN COACH WITH TRAILER TOW PACKAGE.

NOTES:

- 1J8 TV ANTENNA-OMNIDIRECTIONAL
- 1D5 ENTERTAINMENT CENTR/EXT W/CD
- 480 SATELLITE DISH & ELEV.SENSOR
- 265 CODES/STANDARDS-CSA/CMVSS
- 1B1 CODES/STANDARDS USA

1B1 265

FOR ELECTRICAL TORQUE SPECIFICATIONS SEE DWG NO. 128783-01-000

FOR ELECTRICAL CALLOUTS SEE DWG NO. 121339-01-000

| | |
|----------------------|------------------------|
| FIRST USED | 05 324V |
| DO NOT SCALE DRAWING | |
| TITLE: | WIRING INSTL-BODY, 12V |
| SHEET 6 | PART NO 150672 |