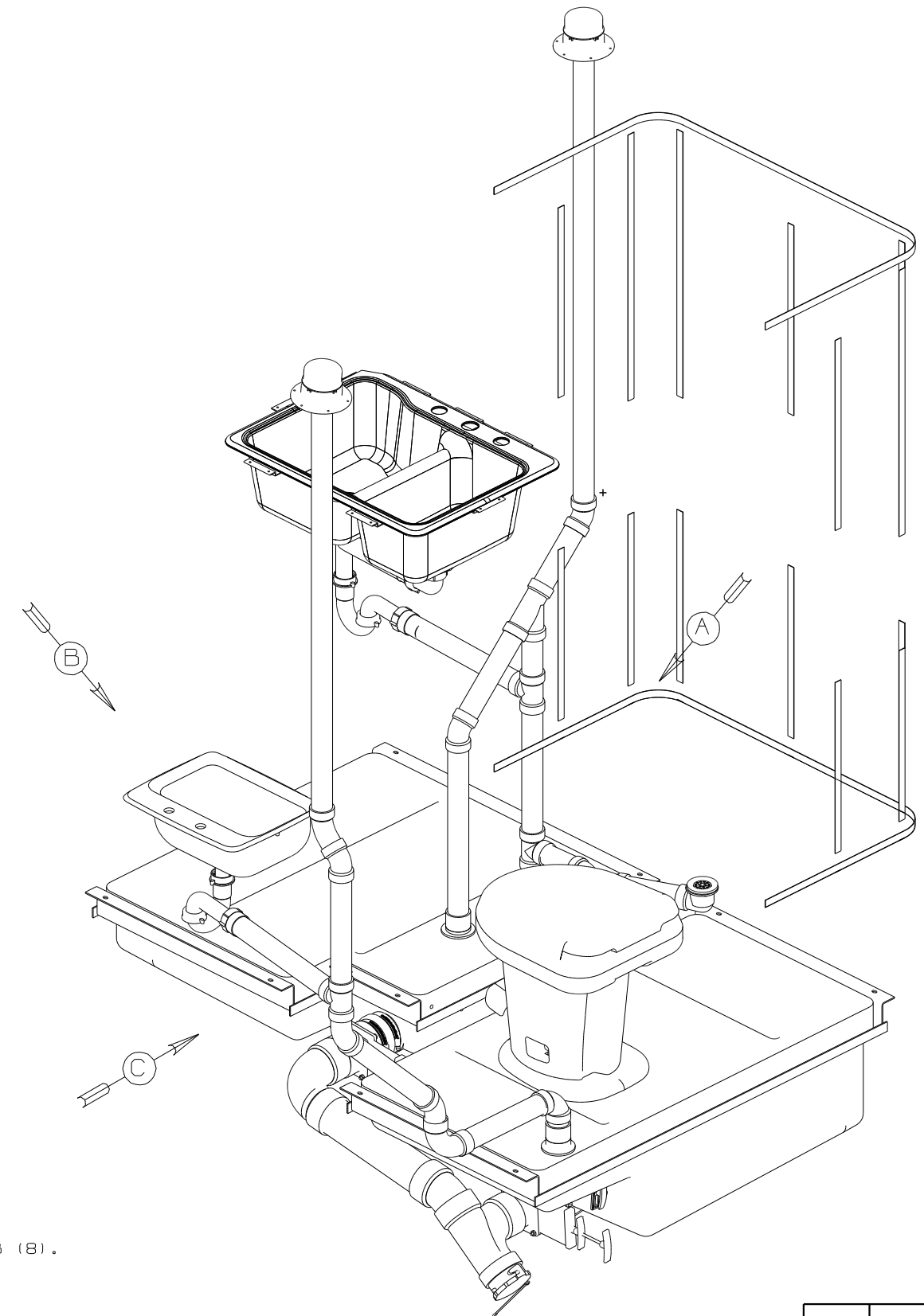


8 7 6 5 4 3 2



- 9. VENT PIPE MUST PROJECT 51 MM MIN AND 64 MM MAX ABOVE ROOF FOR PROPER FIT AND FUNCTION.
- 8. SEE DRAWING 61607-01-000 FOR INSTL OF GROMMETS.
- 7. SEAL ALL AROUND SHOWER WITH SILICONE.
- 6. SECURE VENT TUBES TO FLOOR WITH CLAMP 62401-02-000 (3); SCREW G67-10-12B (3); AND BRACKET 136878-01-CHT (3).
- 5. SECURE PIPES TO CABINET USING WIRE TIE 108046-02-000 AND SCREW G67-10-12B (8).
- 4. ALL EXTERIOR OPENINGS AROUND PIPE TO BE SEALED WITH 110744-01-000.
- 3. ALL PIPE AND FITTINGS TO BE ASSEMBLED WITH SOLVENT 4020-01-000.
- 2. SLOPE OF TRAP ARM MUST BE 6 PER 305.
- 1. SLOPE OF HORIZONTAL PIPING TO BE 6 PER 305 MIN.

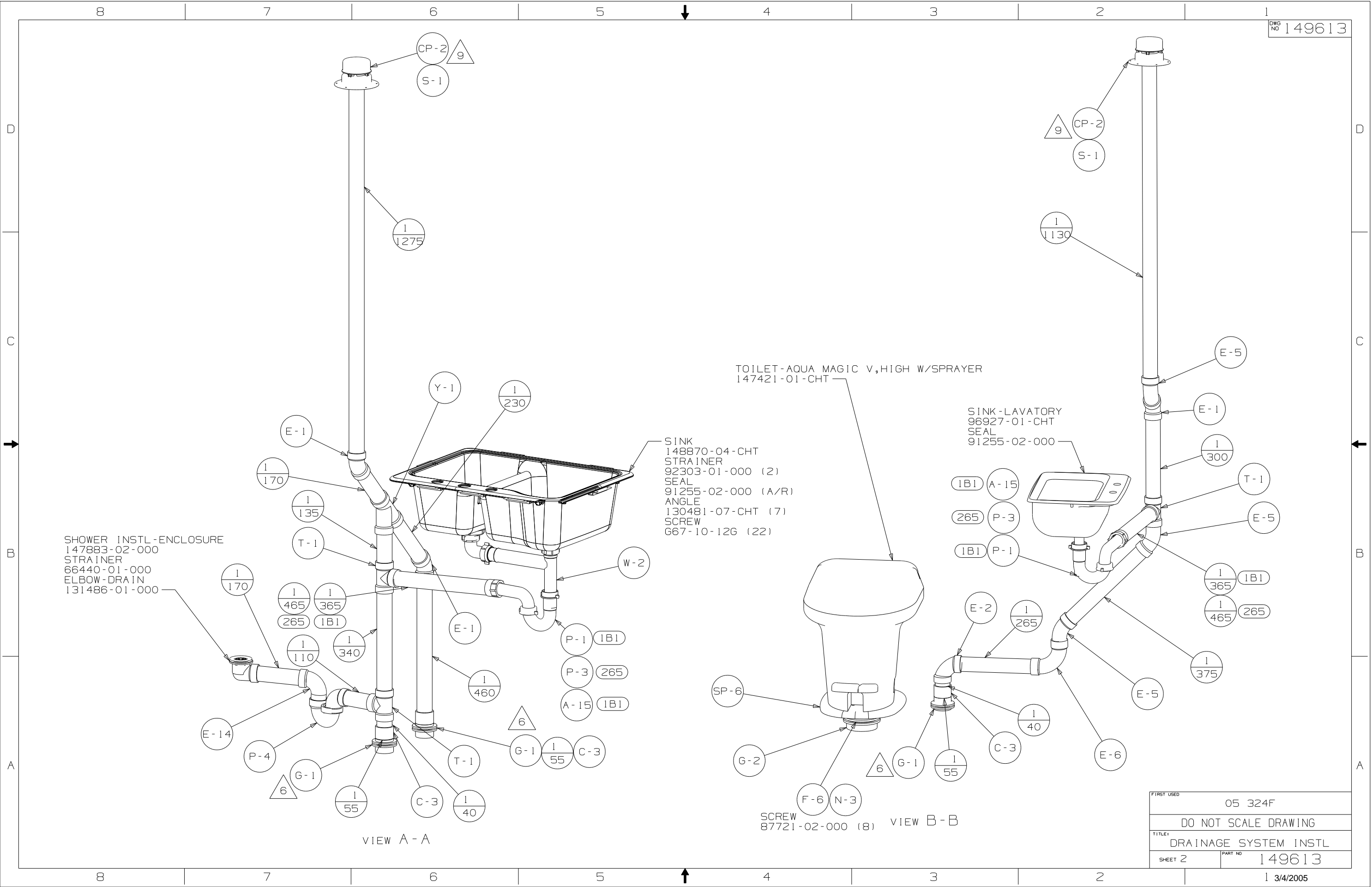
NOTES:

- (1B1) CODES/STANDARDS-USA
- (265) CODES/STDS-CSA/CMVSS
- (23T) HEATED HOLDING TANKS

WINNEBAGO		COPYRIGHT 2005 WINNEBAGO INDUSTRIES, INC.	
DFTR	ORIG. DATE	ALL DIMENSIONS ARE IN MILLIMETERS	
CHKR		FIRST USED	
P.E.		05 324F	
M.E.		UNSPECIFIED TOLERANCES ARE:	
DSNR		MATERIAL:	
		WHOLE DIM (X) :	3
		ONE-PLACE (X.X) :	
		TWO-PLACE (X.XX) :	
		ANGLE :	
		THIRD ANGLE PROJECTION	
DO NOT SCALE DRAWING			
TITLE: DRAINAGE SYSTEM INSTL			
SHEET 1 OF 3	PART NO	149613	

(X-X)
FOR
DRAINAGE
CALLOUTS
SEE DWG NO.
116229-01-000

8 7 6 5 4 3 2



SHOWER INSTL-ENCLOSURE
 147883-02-000
 STRAINER
 66440-01-000
 ELBOW-DRAIN
 131486-01-000

SINK
 148870-04-CHT
 STRAINER
 92303-01-000 (2)
 SEAL
 91255-02-000 (A/R)
 ANGLE
 130481-07-CHT (7)
 SCREW
 667-10-126 (22)

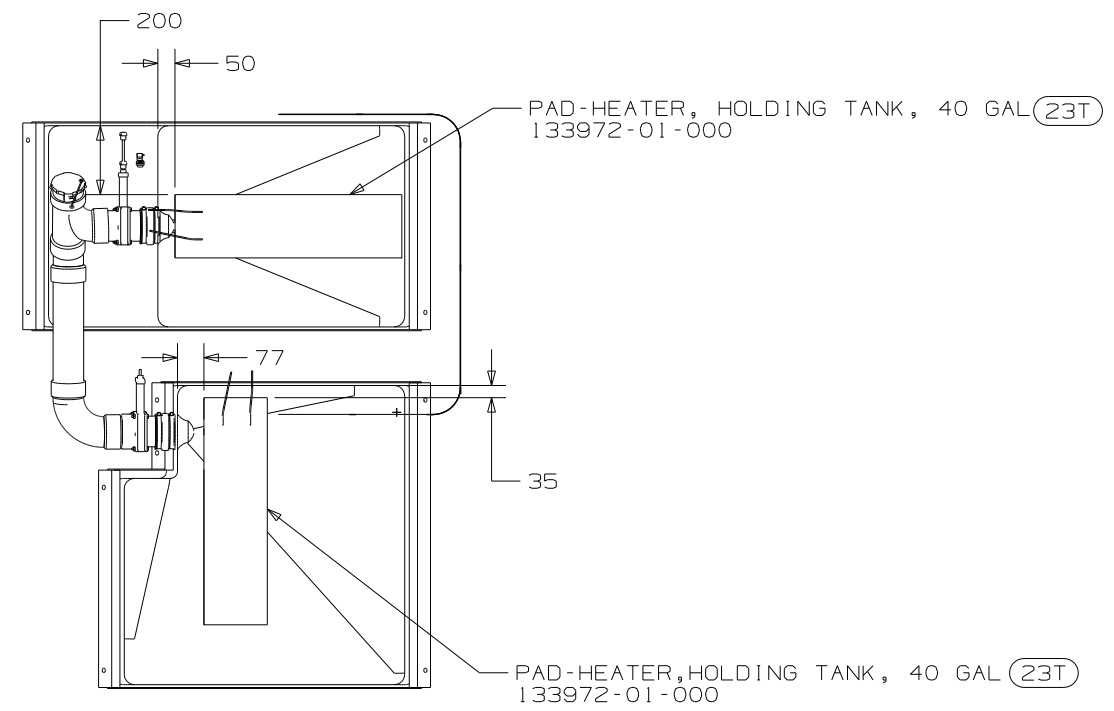
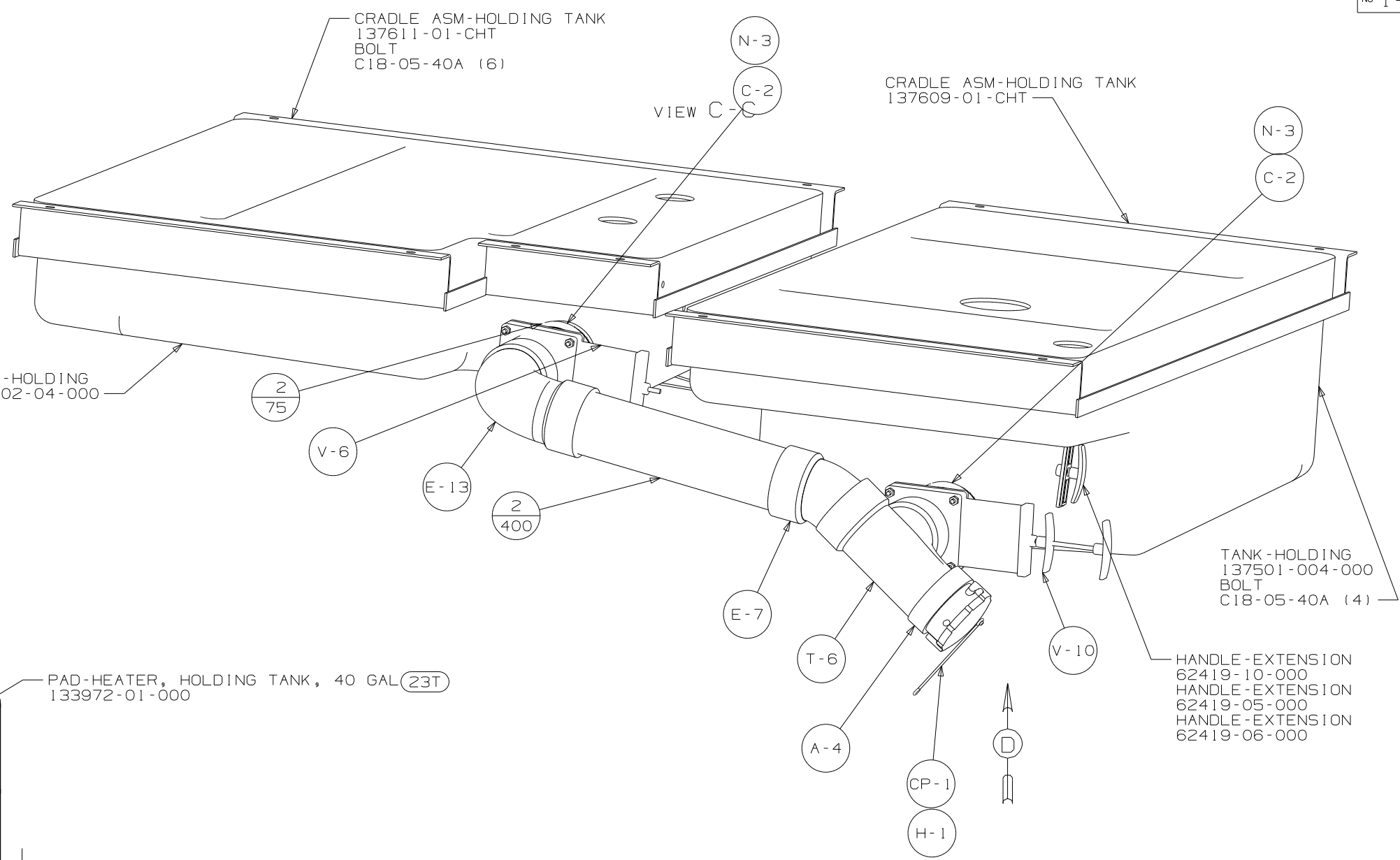
TOILET-AQUA MAGIC V,HIGH W/SPRAYER
 147421-01-CHT

SINK-LAVATORY
 96927-01-CHT
 SEAL
 91255-02-000

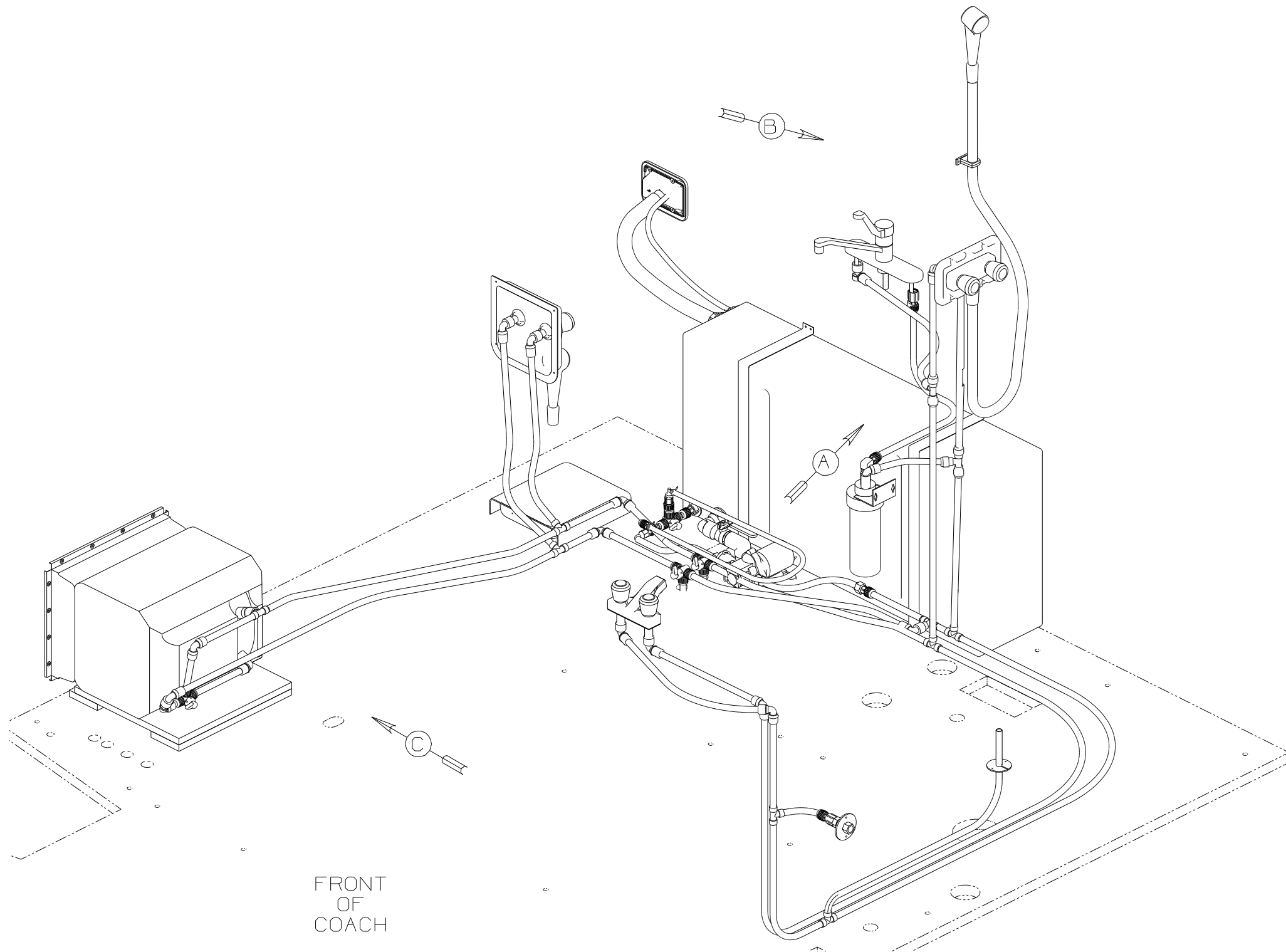
VIEW A-A

VIEW B-B

FIRST USED	05 324F
DO NOT SCALE DRAWING	
TITLE	DRAINAGE SYSTEM INSTL
SHEET 2	PART NO 149613



FIRST USED	05 324F
TITLE	DO NOT SCALE DRAWING
SHEET 3	PART NO 149613
1 3/4/2005	

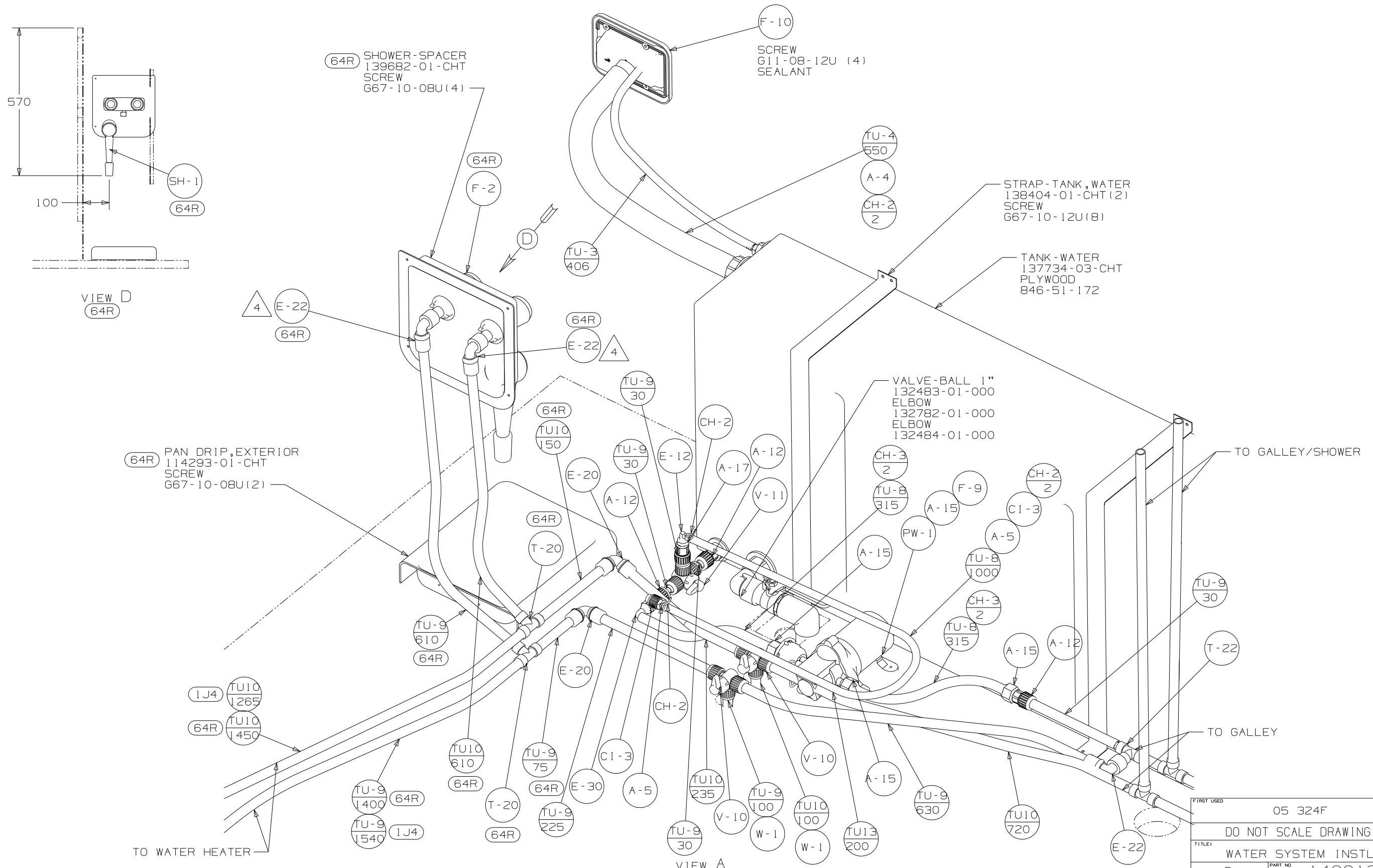


- (29B) WATER PURIFIER
- (501) WATER PURIFIER WITHOUT
- (1J4) EXT WASH STATION W/O
- (64R) EXTERIOR WASH STATION
- (53F) WATER HEATER-ELEC. IGNITION

- NOTES:
- 5 ADD TEFLON TAPE 10405-03-000 TO FITTING.
 - 4 ADD TEFLON TAPE 10405-01-000 TO FITTING.
 - 3. ALL TUBING TO BE SECURED AT 1200 INTERVALS MAXIMUM WITH CLAMP 10495-01-000 OR CLIP 9151-01-000 AND SCREW G67-10-12B.
 - 2. TUBING TO BE INSTALLED WITH SUFFICIENT SLOPE TO PROVIDE DRAINAGE TO NEAREST VALVE.
 - 1. PLASTIC FITTINGS TO BE SEALED WITH SEALANT 84456-01-000.

(X-X)
FOR
WATER
CALLOUTS
SEE DWG NO
116230-01-000

WINNEBAGO		COPYRIGHT 2005 WINNEBAGO INDUSTRIES, INC.	
DFTR	ORIG. DATE	ALL DIMENSIONS ARE IN MILLIMETERS	
CHKR		FIRST USED	
P.E.		05 324F	
M.E.		UNSPECIFIED TOLERANCES ARE:	
DSNR		MATERIAL:	
		WHOLE DIM (X) :	7
		ONE-PLACE (X.X) :	
		TWO-PLACE (X.XX) :	
		ANGLE :	
THIRD ANGLE PROJECTION		DO NOT SCALE DRAWING	
TITLE: WATER SYSTEM INSTL			
SHEET 1 OF 3	PART NO	149612	



64R SHOWER-SPACER
139682-01-CHT
SCREW
G67-10-08U(4)

F-10
SCREW
G11-08-12U (4)
SEALANT

STRAP-TANK, WATER
138404-01-CHT (2)
SCREW
G67-10-12U(8)

TANK-WATER
137734-03-CHT
PLYWOOD
846-51-172

VALVE-BALL 1"
132483-01-000
ELBOW
132782-01-000
ELBOW
132484-01-000

64R PAN DRIP, EXTERIOR
114293-01-CHT
SCREW
G67-10-08U(2)

FIRST USED	05 324F
TITLE	DO NOT SCALE DRAWING
	WATER SYSTEM INSTL
SHEET 2	PART NO 149612

WATER HEATER
51391-03-000 (53F)
DOOR
78506-01-CHT
AL EXTR
2726-01-210 (2)
2726-01-212 (2)
SCREW
639-10-169 (18)
SEALANT

FAUCET
79563-03-CHT
PANEL
78498-01-CHT
SCREW
G11-08-12U (4)
COVER
78500-01-CHT (4)

FAUCET
149164-01-CHT
SPACER-FAUCET
137079-02-01A

FAUCET
79527-03-CHT
GASKET
91253-01-000

(29B) FILTER-PURIFIER
87200-01-000
CARTRIDGE
87200-02-000
SCREW
667-10-12U (2)

PLATFORM ASM
143705-01-000
SCREW
G11-08-24B (3)

VIEW B
(501)

VIEW C

VIEW B

FIRST USED	05 324F
DO NOT SCALE DRAWING	
TITLE:	WATER SYSTEM INSTL
SHEET 3	PART NO 149612