



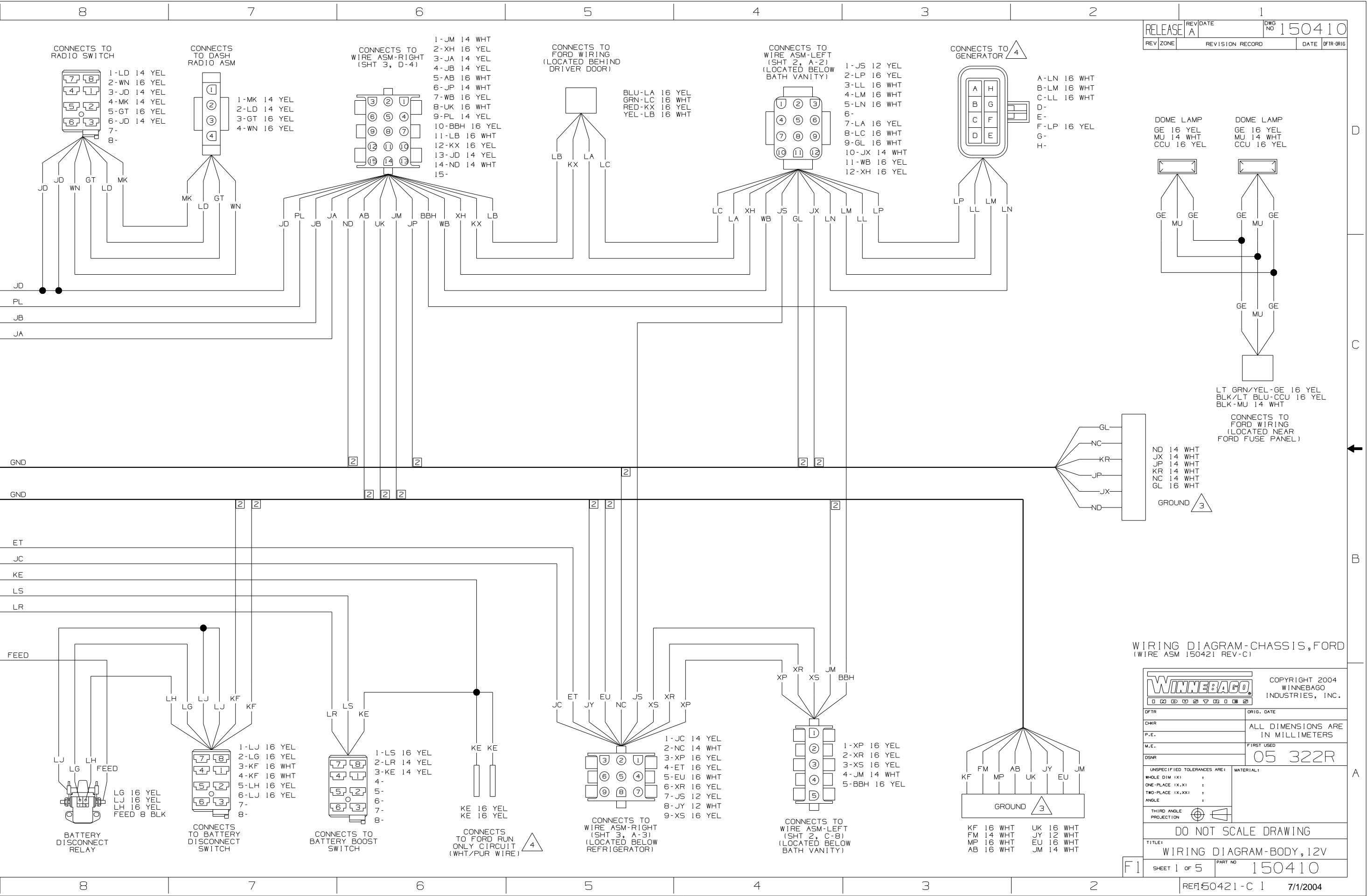
DANGER

Danger of electrical shock, burns or death. Always remove all power sources before attempting any repair, service or diagnostic work. Power can be present from shore power, generator, inverter or battery. All power sources must be disabled and secured before performing any service.



CAUTION

If you lack the skills, tools or equipment to perform diagnostic or repair work leave such work to an authorized Winnebago Industries dealer or other qualified shop.



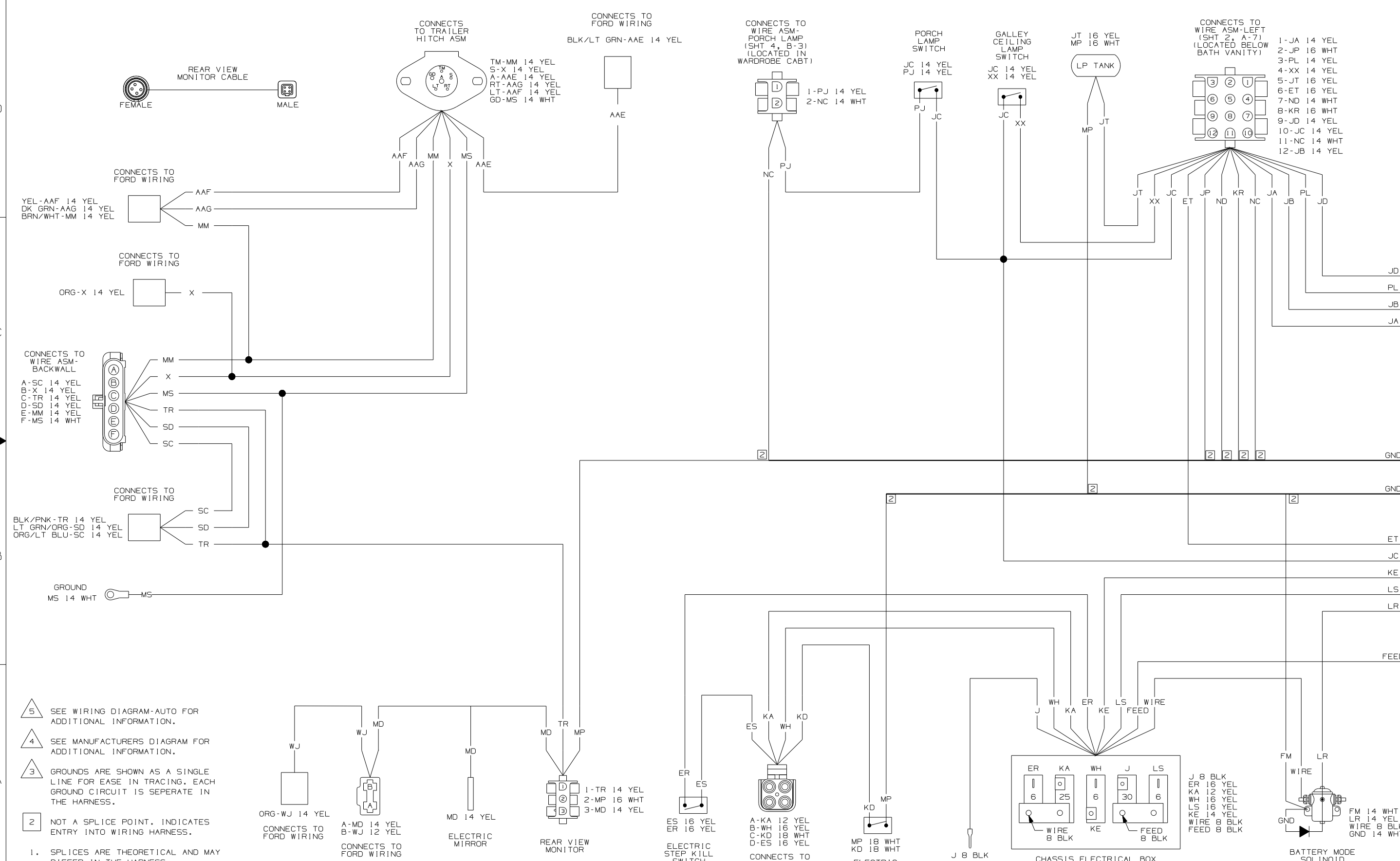
WIRING DIAGRAM-CHASSIS, FORD
 (WIRE ASM 150421 REV-C)

WINNEBAGO COPYRIGHT 2004 WINNEBAGO INDUSTRIES, INC.

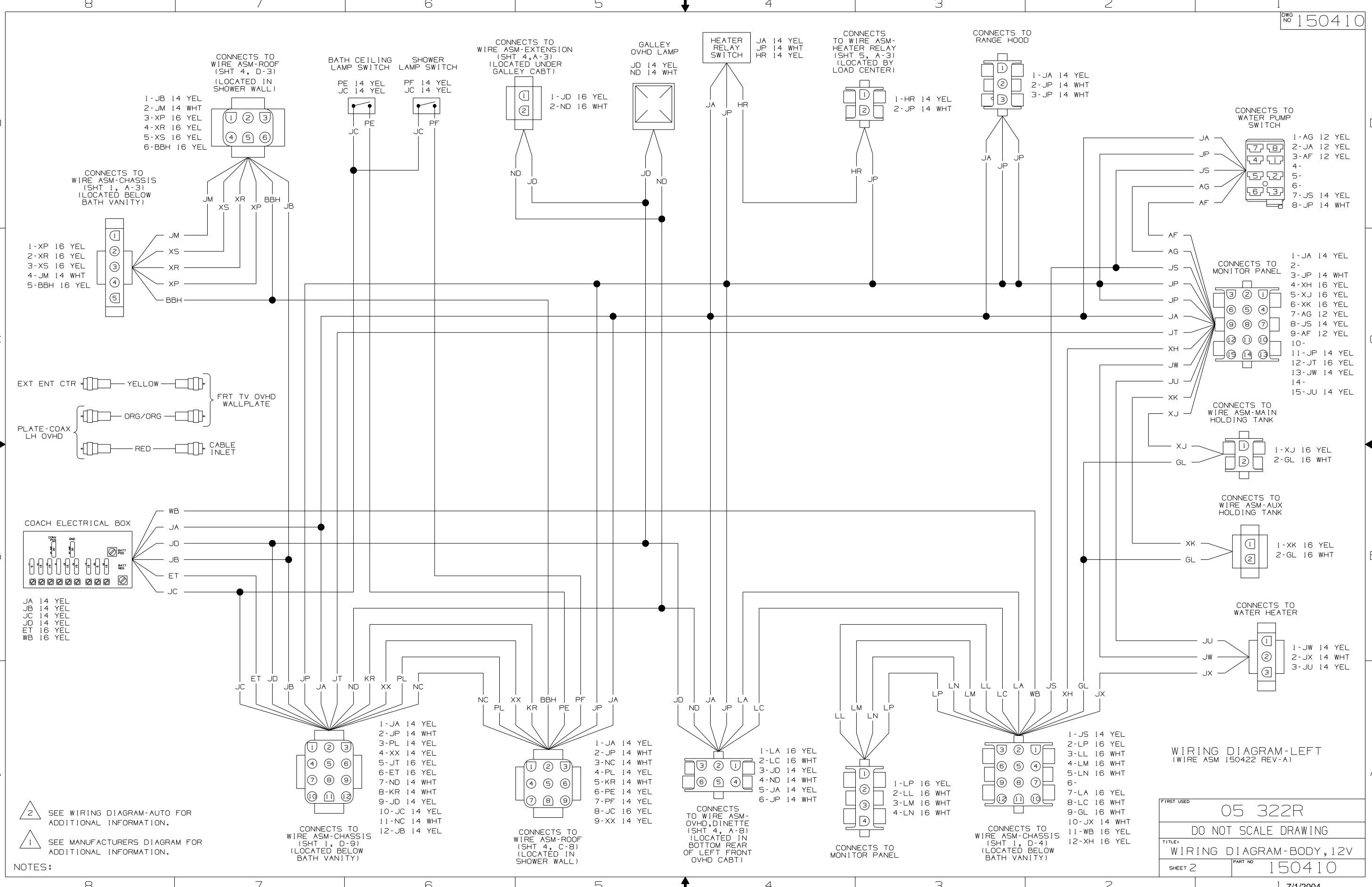
DFTR	ORIG. DATE
CHNR	ALL DIMENSIONS ARE IN MILLIMETERS
P.E.	MATERIAL:
M.E.	UNSPECIFIED TOLERANCES ARE:
DSNR	WHOLE DIM (XX) :
	ONE-PLACE (X,XX) :
	TWO-PLACE (X,XX) :
	ANGLE :
	THIRD ANGLE PROJECTION

05 322R

DO NOT SCALE DRAWING



- NOTES:
- 5 SEE WIRING DIAGRAM-AUTO FOR ADDITIONAL INFORMATION.
 - 4 SEE MANUFACTURERS DIAGRAM FOR ADDITIONAL INFORMATION.
 - 3 GROUNDS ARE SHOWN AS A SINGLE LINE FOR EASE IN TRACING. EACH GROUND CIRCUIT IS SEPERATE IN THE HARNESS.
 - 2 NOT A SPLICE POINT. INDICATES ENTRY INTO WIRING HARNESS.
 - 1. SPLICES ARE THEORETICAL AND MAY DIFFER IN THE HARNESS.



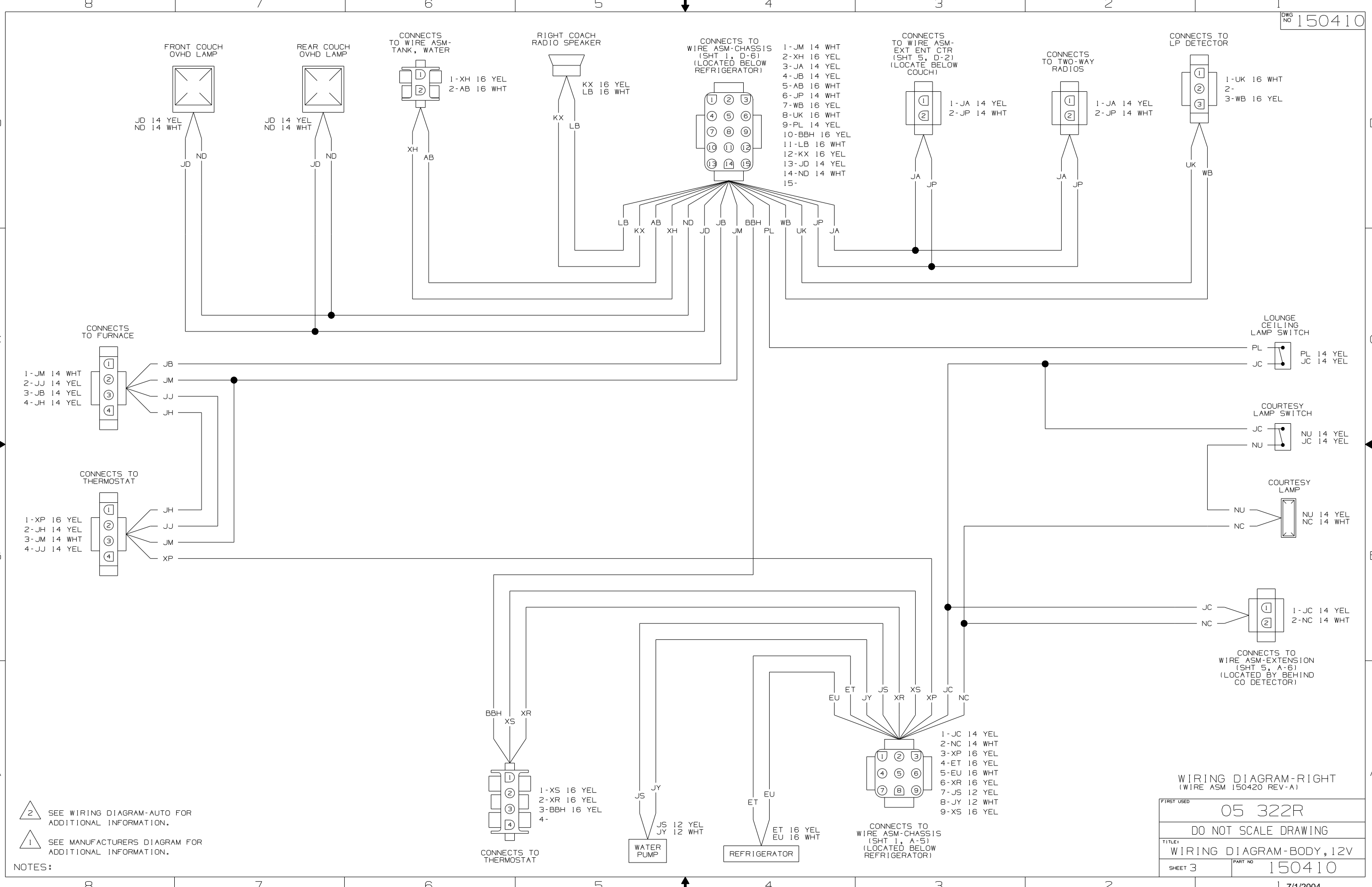
WIRING DIAGRAM-LEFT (WIRE ASM 150422 REV-A)

NOTES:

2 SEE WIRING DIAGRAM-AUTO FOR ADDITIONAL INFORMATION.

1 SEE MANUFACTURERS DIAGRAM FOR ADDITIONAL INFORMATION.

FIRST USED	05 322R
DO NOT SCALE DRAWING	
TITLE:	WIRING DIAGRAM-BODY, 12V
SHEET 2	PART NO 150410



NOTES:

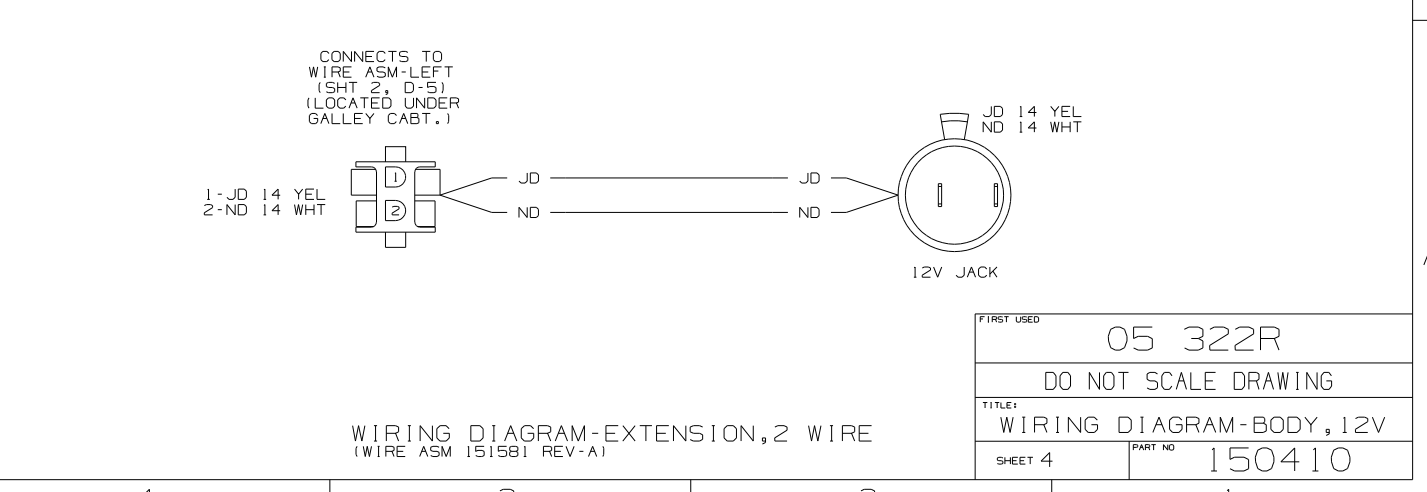
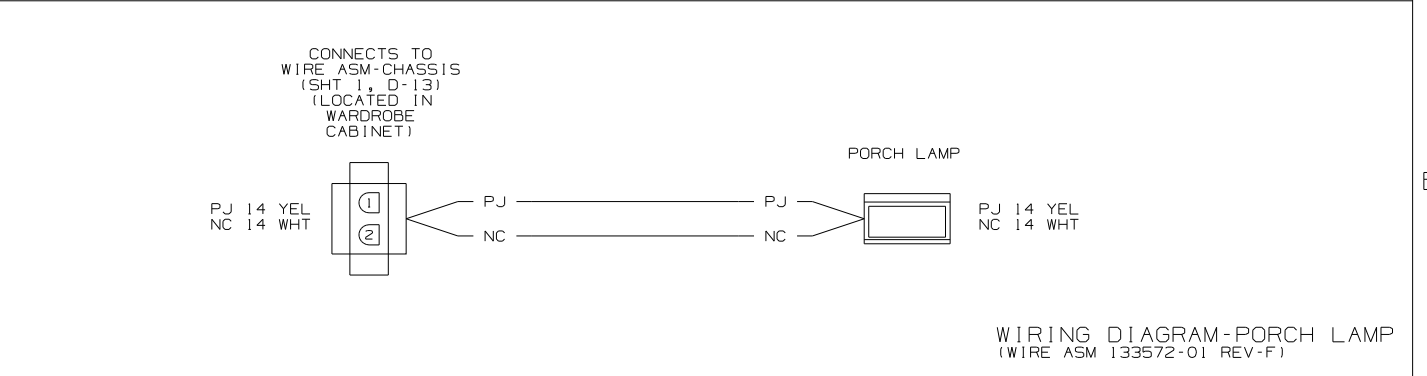
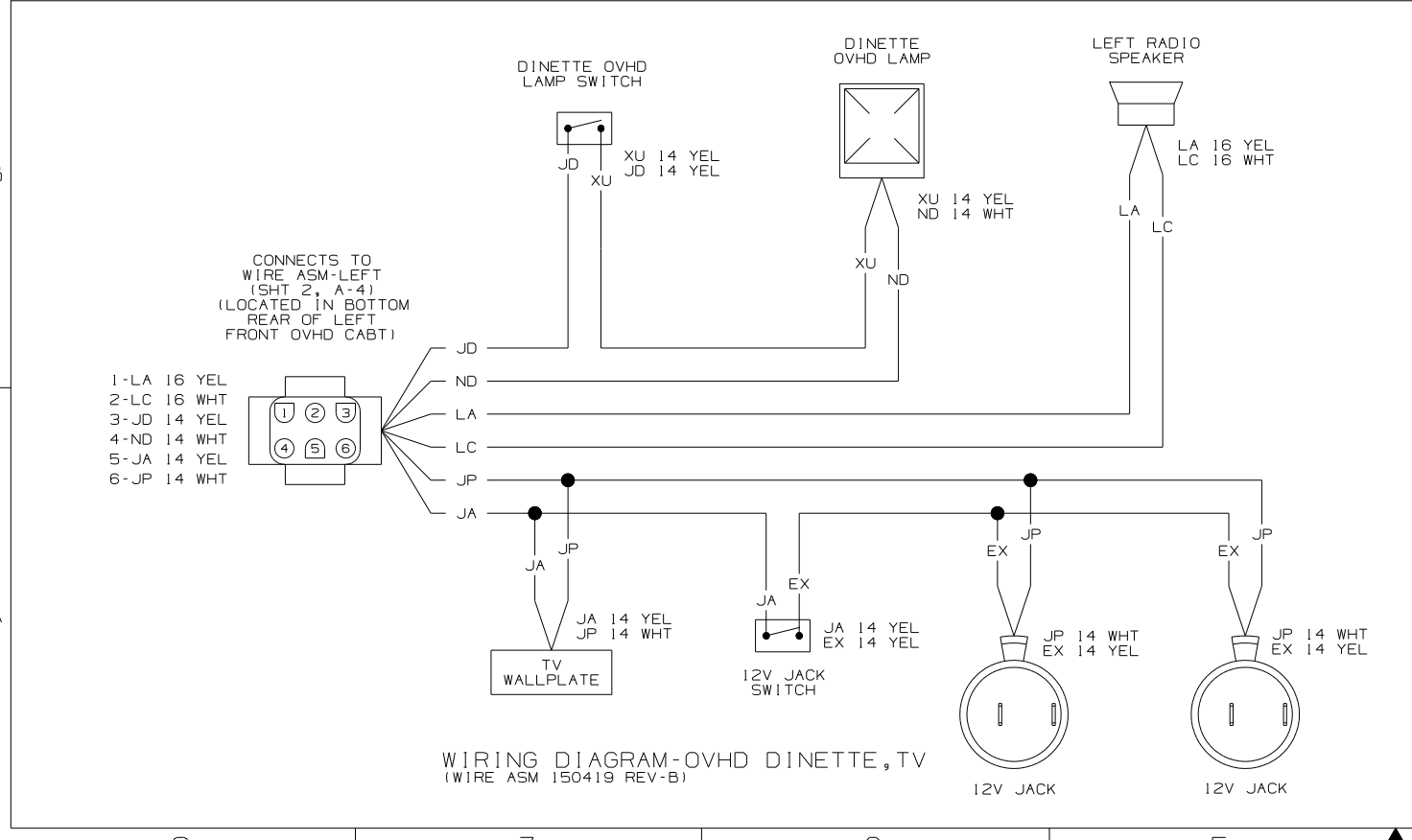
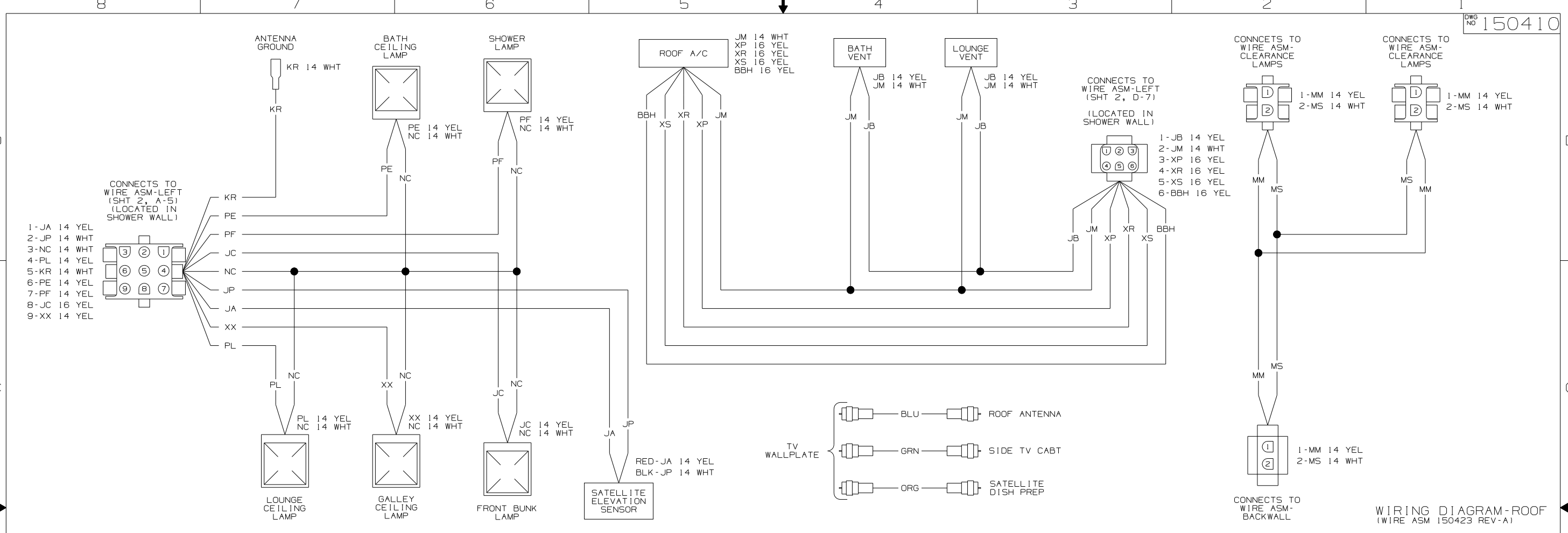
2 SEE WIRING DIAGRAM-AUTO FOR ADDITIONAL INFORMATION.

1 SEE MANUFACTURERS DIAGRAM FOR ADDITIONAL INFORMATION.

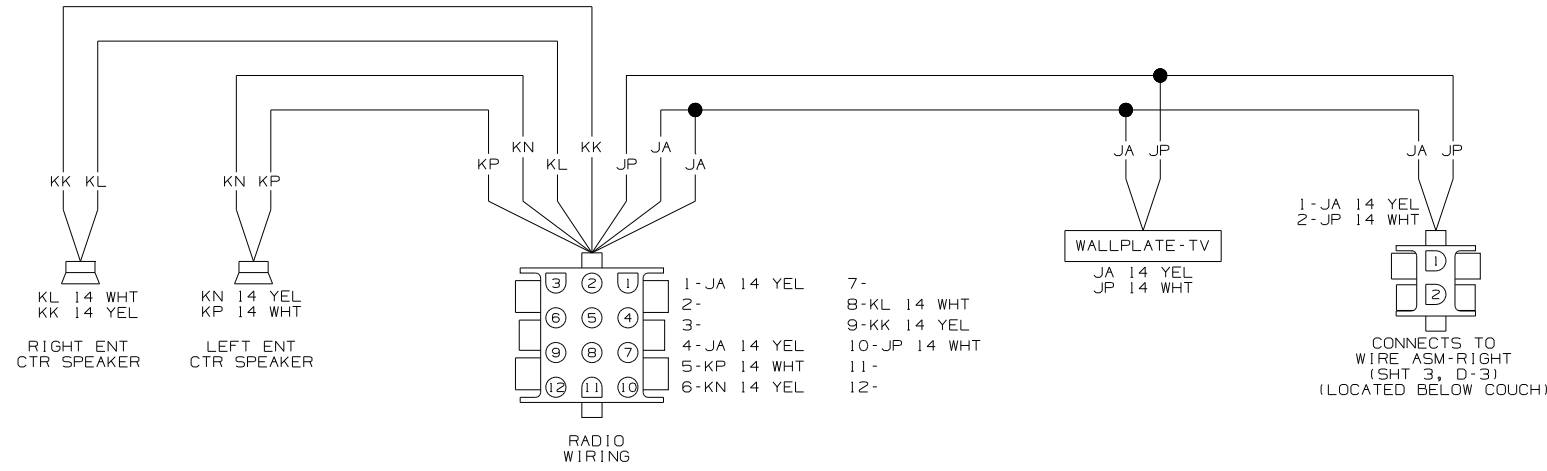
WIRING DIAGRAM-RIGHT
(WIRE ASM 150420 REV-A)

FIRST USED	05 322R
DO NOT SCALE DRAWING	
TITLE:	WIRING DIAGRAM-BODY, 12V
SHEET 3	PART NO 150410

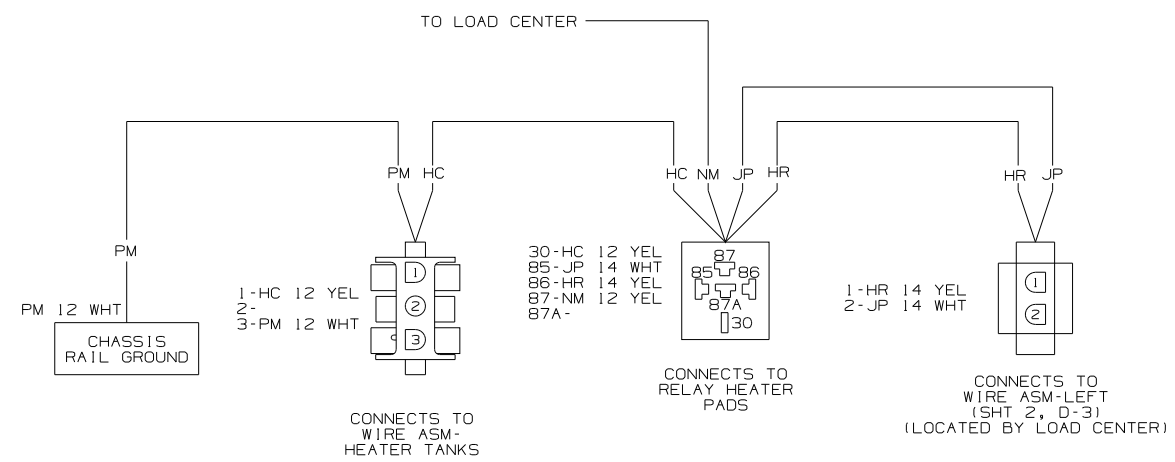
1 7/1/2004



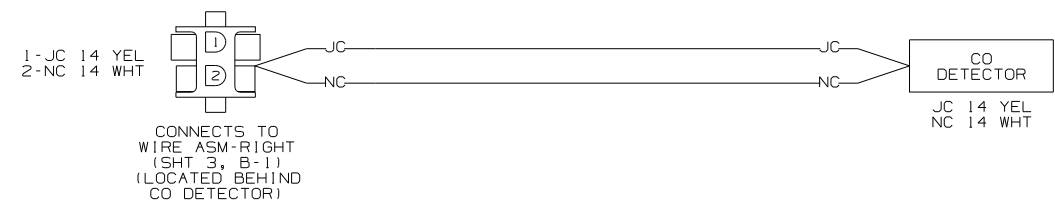
FIRST USED	05 322R
TITLE	DO NOT SCALE DRAWING
	WIRING DIAGRAM-BODY, 12V
SHEET 4	PART NO 150410



WIRING DIAGRAM-ENTERTAINMENT CENTER (WIRE ASM 125853-04 REV-L)



WIRING DIAGRAM-HEATER, RELAY (WIRE ASM 134550)



WIRING DIAGRAM-EXTENSION (WIRE ASM 149130 REV-B)

FIRST USED	05 322R
TITLE	DO NOT SCALE DRAWING
TITLE	WIRING DIAGRAM-BODY, 12V
SHEET 5	PART NO 150410