



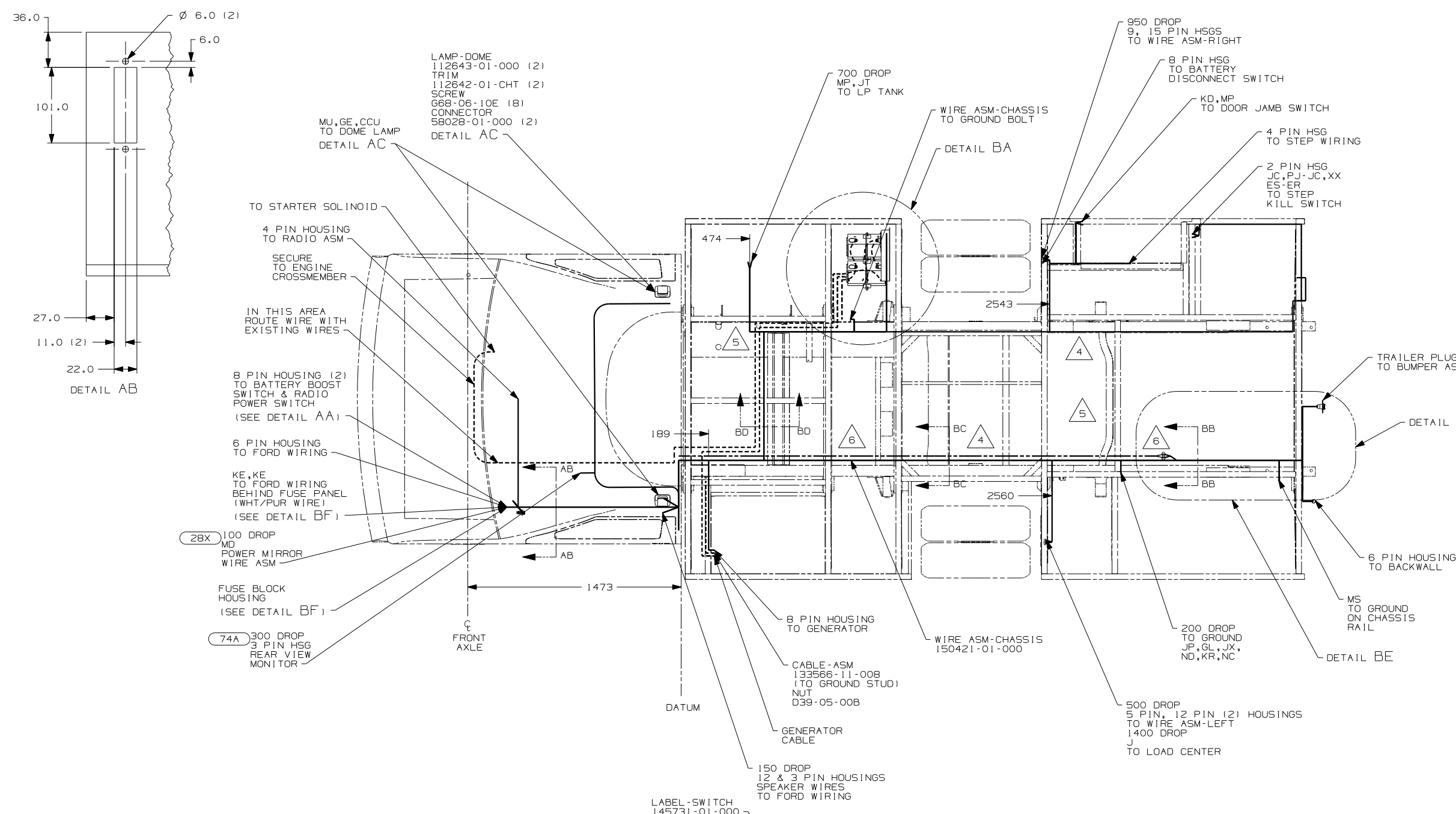
DANGER

Danger of electrical shock, burns or death. Always remove all power sources before attempting any repair, service or diagnostic work. Power can be present from shore power, generator, inverter or battery. All power sources must be disabled and secured before performing any service.

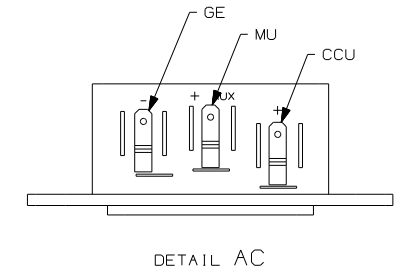
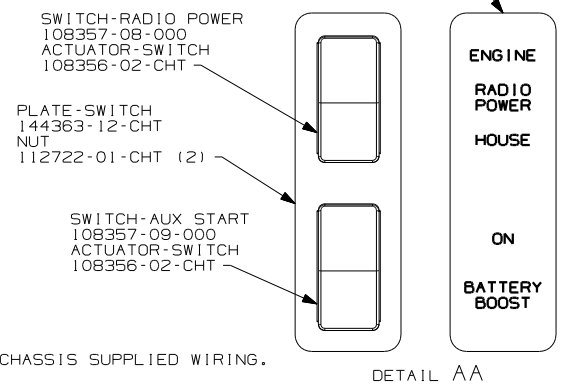


CAUTION

If you lack the skills, tools or equipment to perform diagnostic or repair work leave such work to an authorized Winnebago Industries dealer or other qualified shop.



- 6. WIRES TO BE TIED INSIDE OF RAIL USING EXISTING HOLES.
- 5. WIRES TO BE TIED TO CROSSMEMBER USING EXISTING HOLES.
- 4. WIRES TO BE TIED ON TOP OF RAIL USING EXISTING HOLES.
- 3. USE WITH TIES 8343-04-000 AND 116673-01-000 APPROX. 600mm ON CENTER UNLESS OTHERWISE SPECIFIED.
- 2. SECURE CONDUIT 41953, TAB AS REQUIRED, OVER ALL WIRES IN CONTACT WITH SHARP EDGES.
- 1. LEGEND: _____ WINNEBAGO:----- CABLE:----- CHASSIS SUPPLIED WIRING.

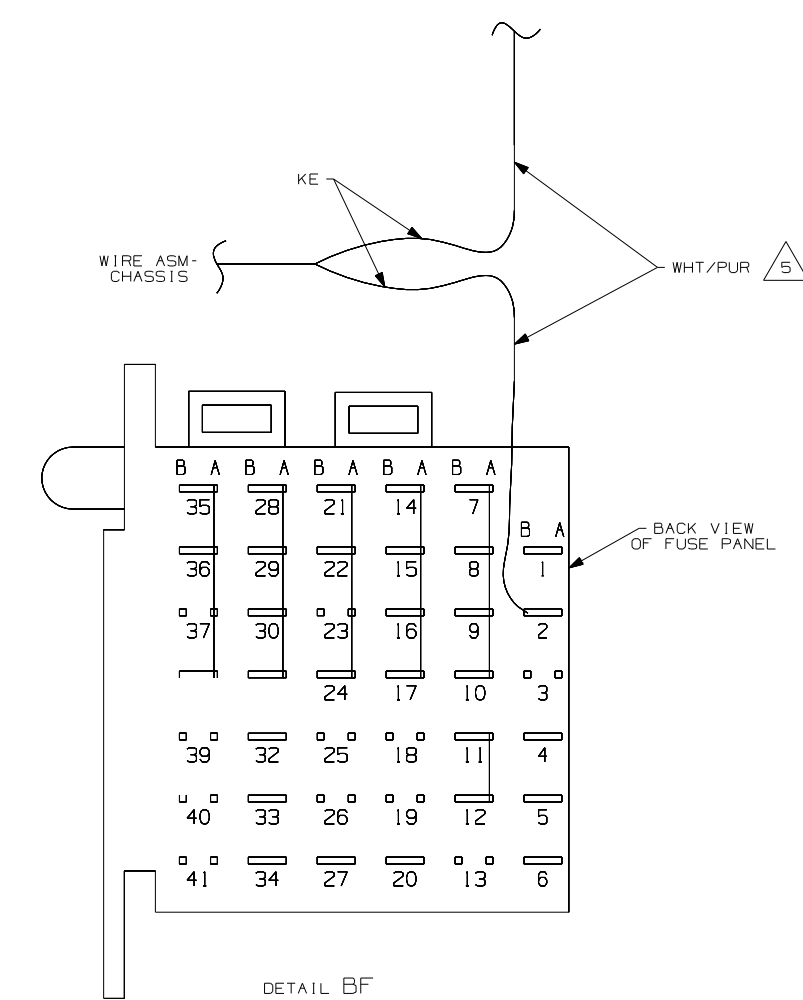
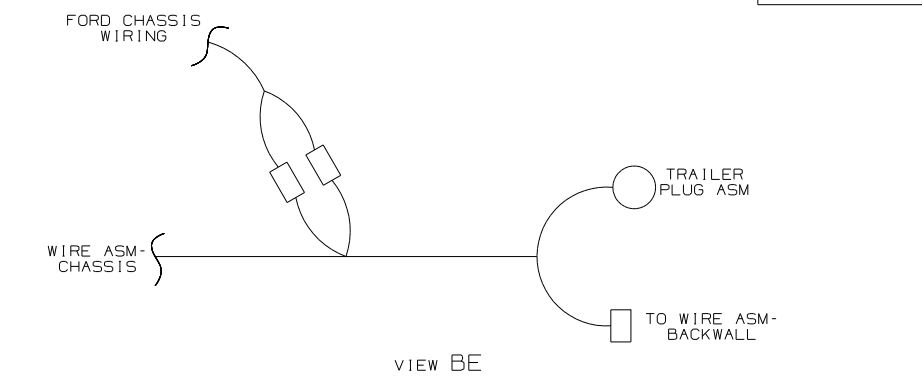
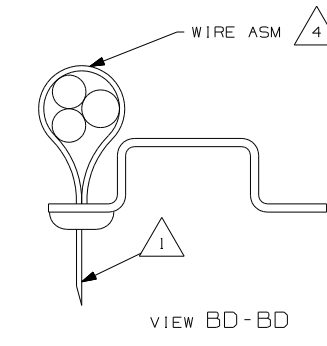
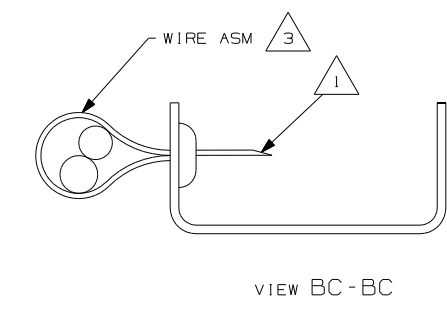
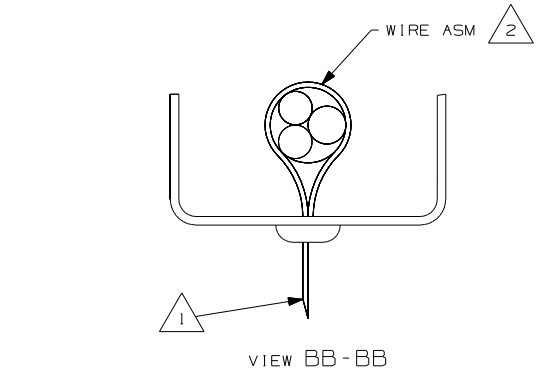
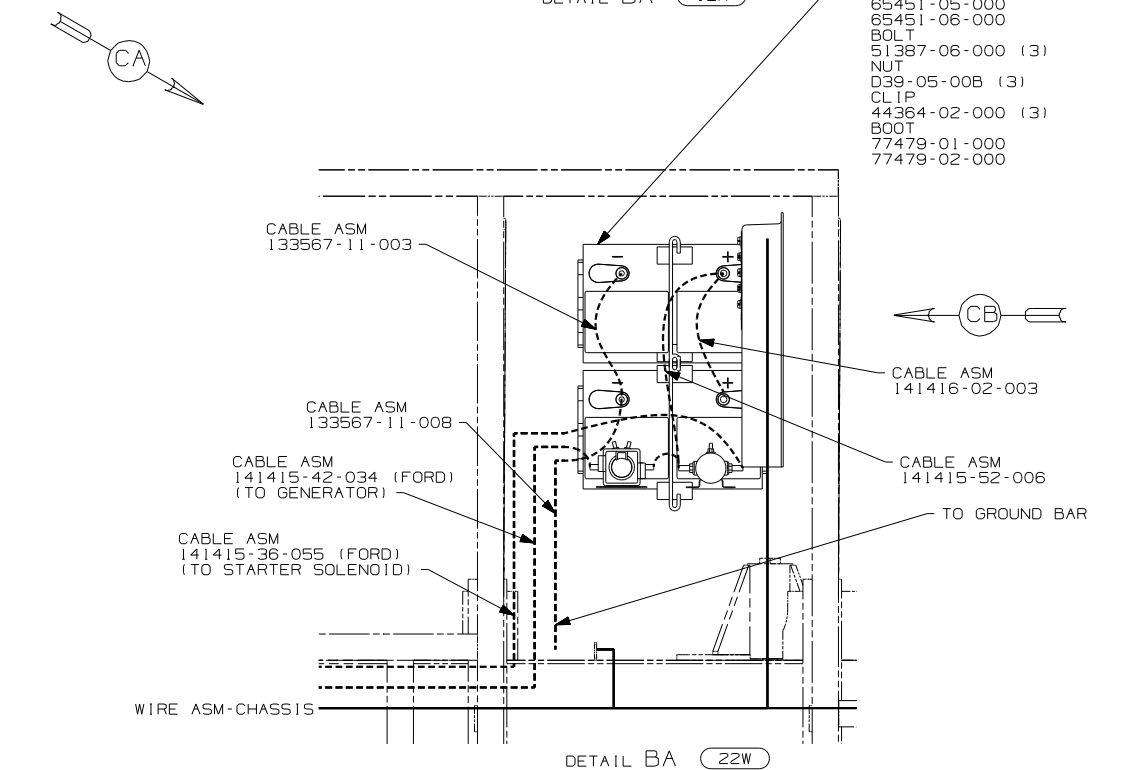
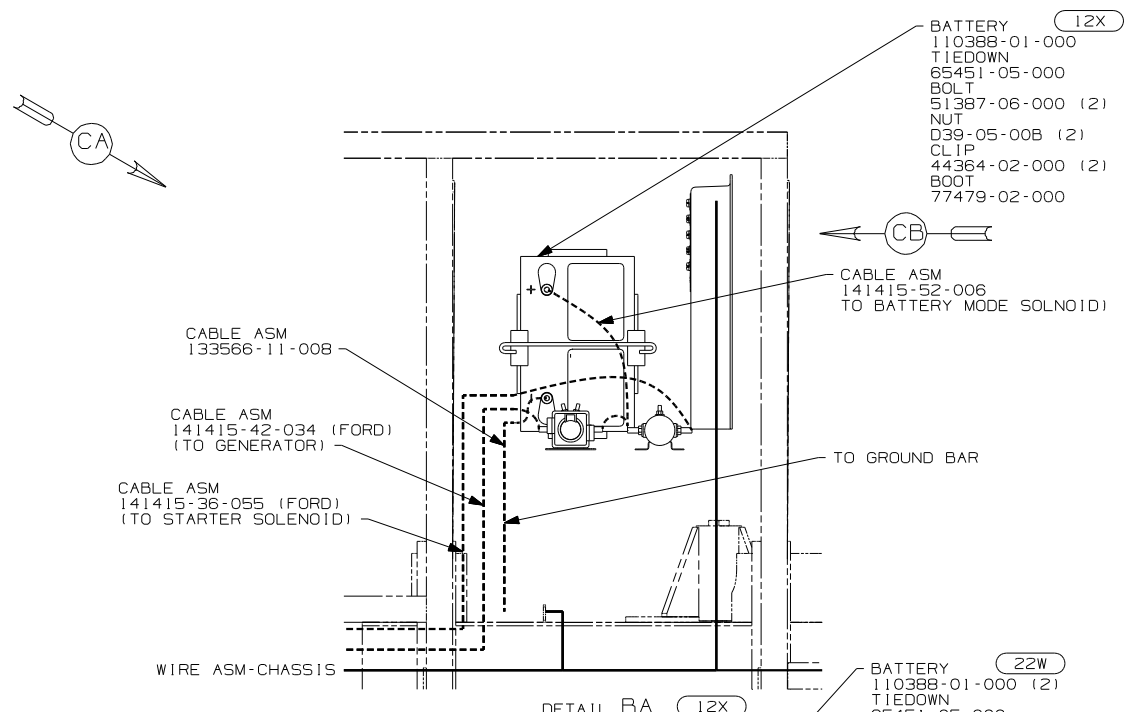


- 74A RR MONITOR SYS-SUNVISOR MNTR
- 28X MIRRORS-EXTERIOR W/DEFROST
- 265 CODES/STANDARDS - CSA/CMVSS
- 1B1 CODES/STANDARDS - USA
- 16M FORD CHASSIS - 20,500# GVWR
- 16K FORD CHASSIS - 22,000# GVWR

		COPYRIGHT 2004 WINNEBAGO INDUSTRIES, INC.
DFTR	ORIG. DATE	
CHKR	ALL DIMENSIONS ARE IN MILLIMETERS	
P.E.	FIRST USED	05 322R
M.E.	UNSPECIFIED TOLERANCES ARE:	
DSNR	MATERIAL:	
	WHOLE DIM (X)	: 1
	ONE-PLACE (X, X)	: 1.5
	TWO-PLACE (X, XX)	: 0.50
	ANGLE	: 1°
	THIRD ANGLE PROJECTION	
DO NOT SCALE DRAWING		
TITLE: WIRING INSTL-CHASSIS		
SHEET 1 of 3	PART NO	150406
REF: 146683-F 11/12/2004		

FOR ELECTRICAL
TORQUE
SPECIFICATIONS
SEE DWG NO.
128783-01-000

(X-X) FOR
ELECTRICAL
CALLOUTS
SEE DWG NO.
121339-01-000



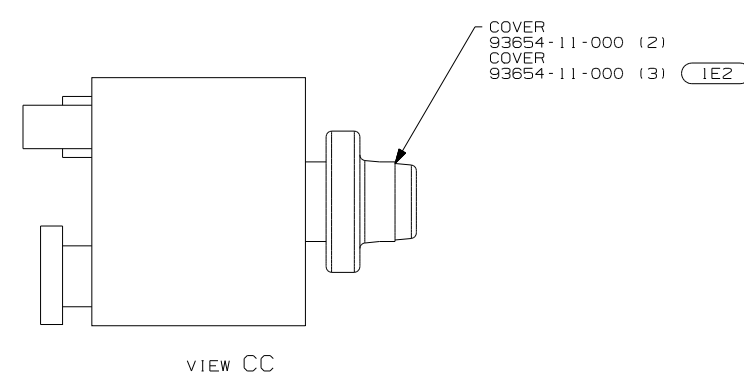
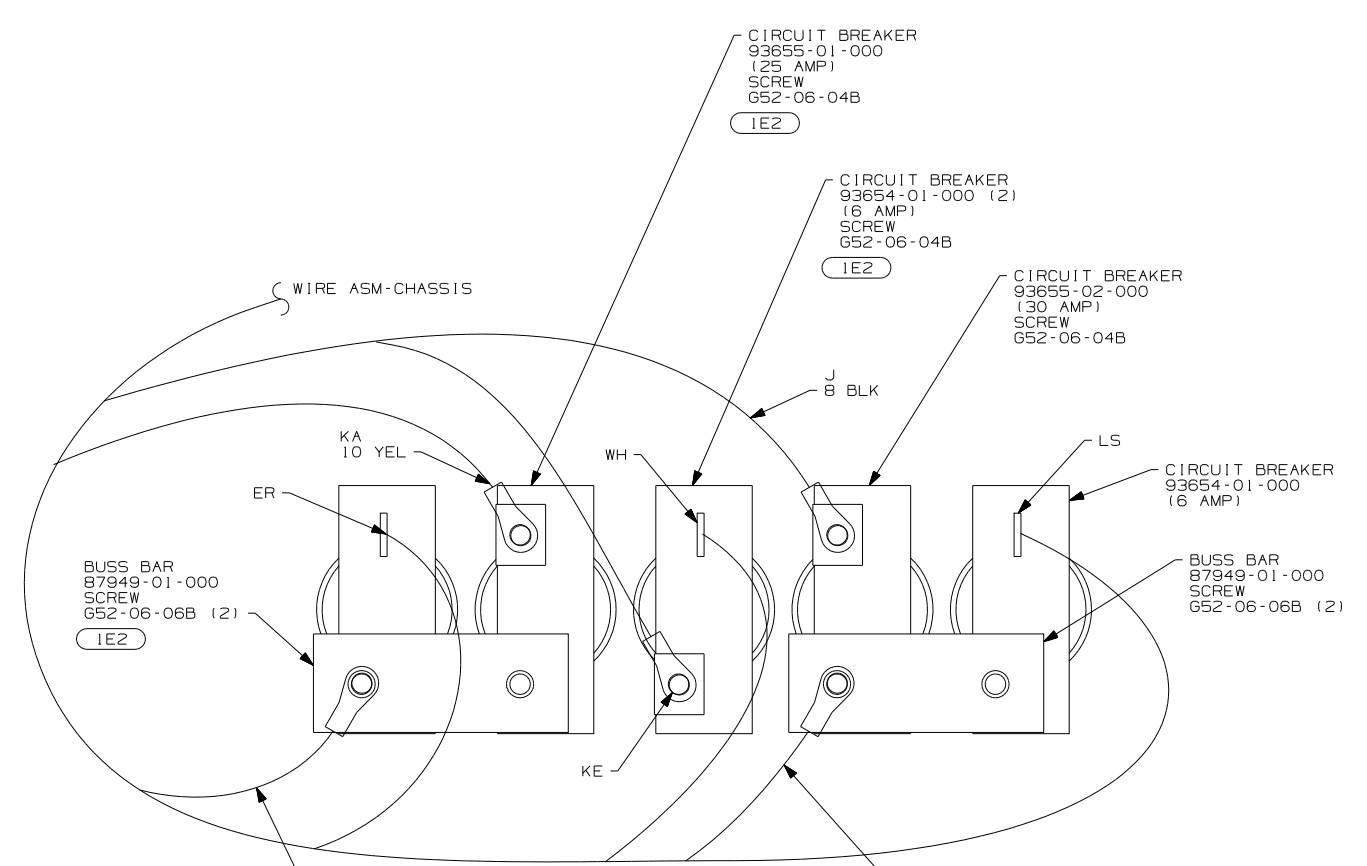
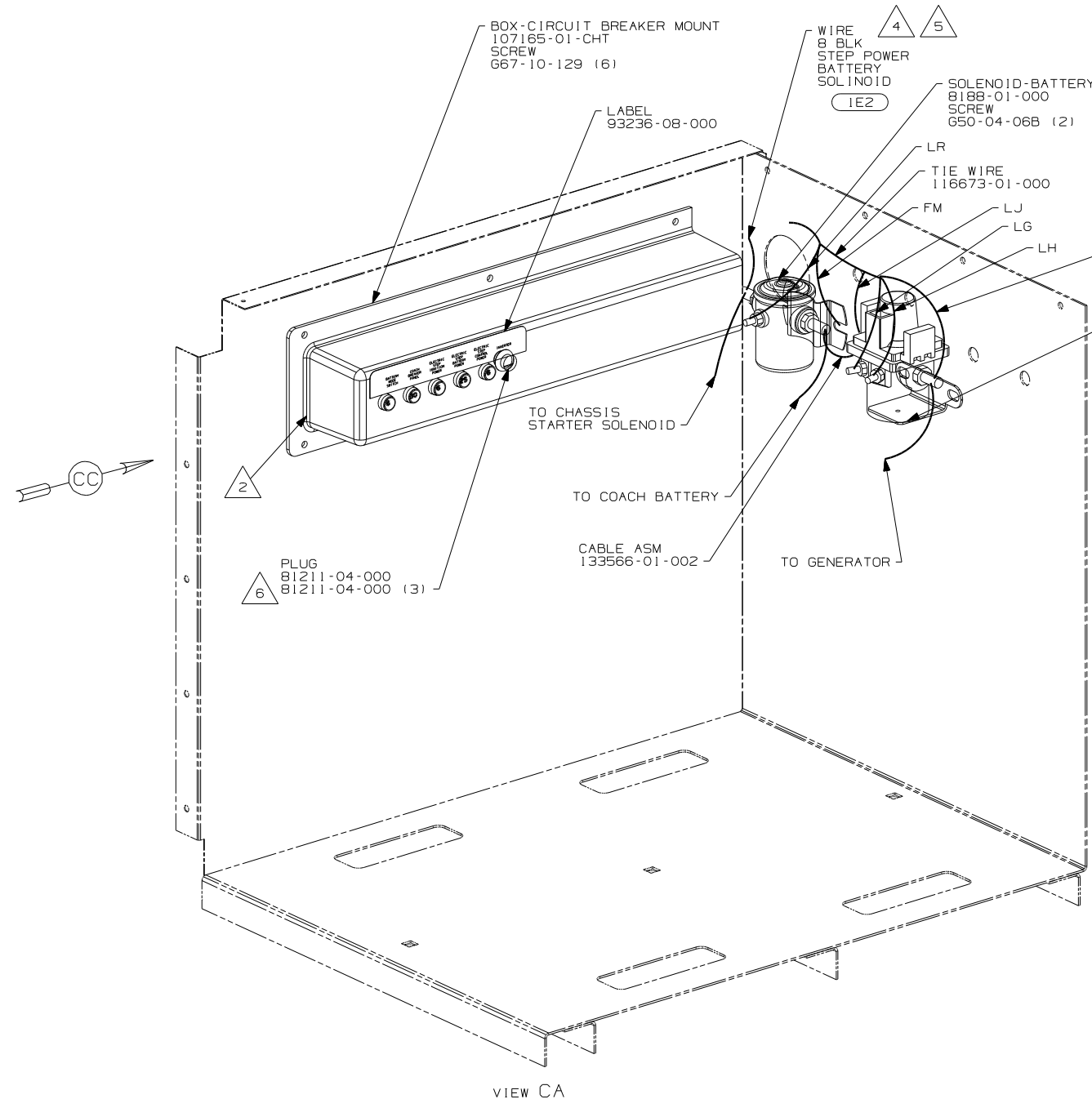
- NOTES:
- 5 CUT WIRES AND RECONNECT AS SHOWN.
 - 4 WIRES TO BE TIED TO CROSSMEMBER USING EXISTING HOLES.
 - 3 WIRES TO BE TIED ON TOP OF RAIL USING EXISTING HOLES.
 - 2 WIRES TO BE TIED INSIDE OF RAIL USING EXISTING HOLES.
 - 1 CUT OFF EXCESS END OF WIRE TIE.

FOR ELECTRICAL TORQUE SPECIFICATIONS SEE DWG NO. 128783-01-000

FOR ELECTRICAL CALLOUTS SEE DWG NO. 121339-01-000

22W BATTERY-SECOND
 12X BATTERY-ONE

FIRST USED 05 322R
 DO NOT SCALE DRAWING
 TITLE: WIRING INSTL-CHASSIS
 SHEET 2 PART NO 150406



- NOTES:
- 6 WITHOUT (IE2).
 - 5 WITHOUT (IE2) TIE BACK ALL UNUSED WIRES AND COVER WITH TAPE 8363-01-000.
 - 4 LEAD MARKED WITH YELLOW TAPE.
 - 3 LEAD MARKED WITH RED TAPE.
 - 2 LOCATE BOX HORIZONTALLY BY CENTERING ON HOLE IN REAR OF COMPARTMENT.
 - 1 SECURE WITH SOLINOID MOUNTING BOLT.

FOR ELECTRICAL TORQUE SPECIFICATIONS SEE DWG NO. 128783-01-000

(X-X) FOR ELECTRICAL CALLOUTS SEE DWG NO. 121339-01-000

FIRST USED	05 322R
DO NOT SCALE DRAWING	
TITLE:	WIRING INSTL-CHASSIS
SHEET 3	PART NO 150406