



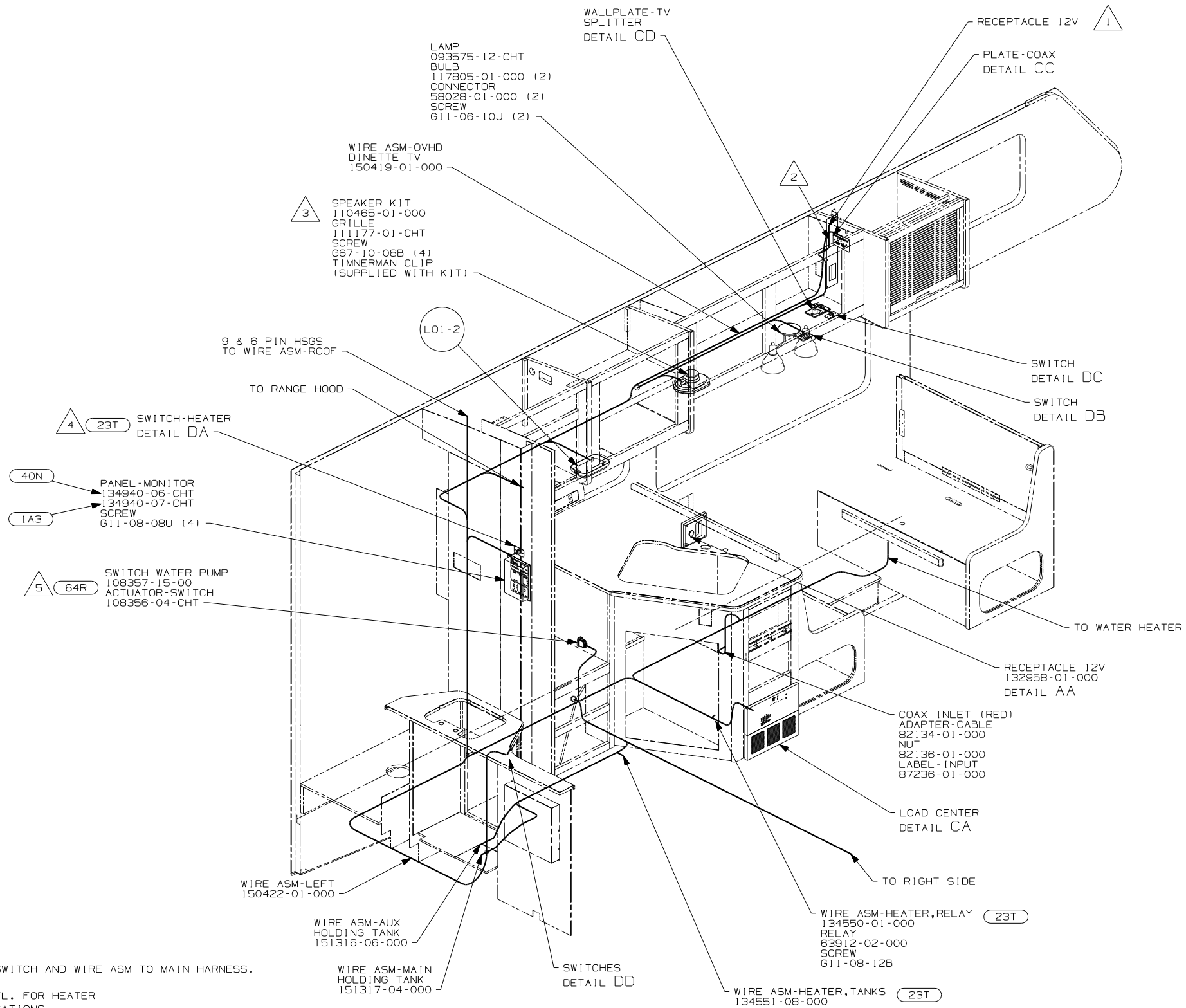
DANGER

Danger of electrical shock, burns or death. Always remove all power sources before attempting any repair, service or diagnostic work. Power can be present from shore power, generator, inverter or battery. All power sources must be disabled and secured before performing any service.



CAUTION

If you lack the skills, tools or equipment to perform diagnostic or repair work leave such work to an authorized Winnebago Industries dealer or other qualified shop.



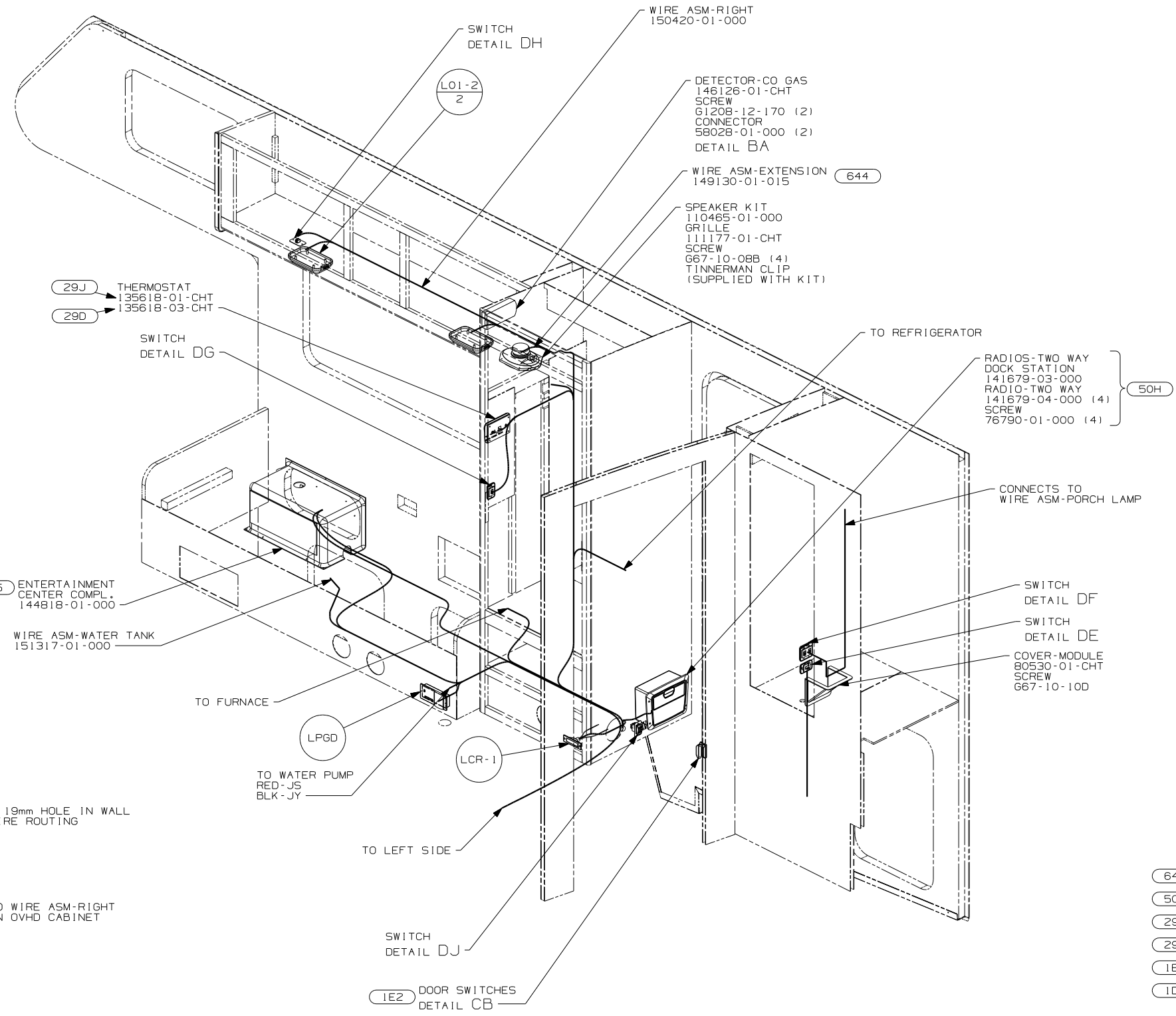
- (64R) EXTERIOR WASH STATION
- (40N) GEN-4.0KW-ONANGAS-MICROQUIET
- (23T) DRAINAGE SYSTEM-HEATED
- (1D5) ENTERTAINMENT CENTR/EXT W/CD
- (1A3) GENERATOR WITHOUT

- NOTES:
- △ 5 WITHOUT (64R) WIRE TIE SWITCH AND WIRE ASM TO MAIN HARNESS.
 - △ 4 SEE DRAINAGE SYSTEM INSTL. FOR HEATER PAD PART NUMBERS AND LOCATIONS.
 - △ 3 USE ONE OF THE SPEAKER ASM'S PROVIDED IN KIT. SEND SCREWS IN THE KIT TO THE SURPLUS STORE TO BE SOLD. SEND THE WIRE ASM W/HSG TO WIRE PREP TO BE INCORPORATED INTO THE NECESSARY WIRE LOOM.
 - △ 2 TAPE BACK JA AND JP FOR 2ND JACK WHEN IT IS NOT NEEDED.
 - △ 1 SEE WIRING INSTL-TV/VCR, FOR ADDITIONAL INFORMATION.

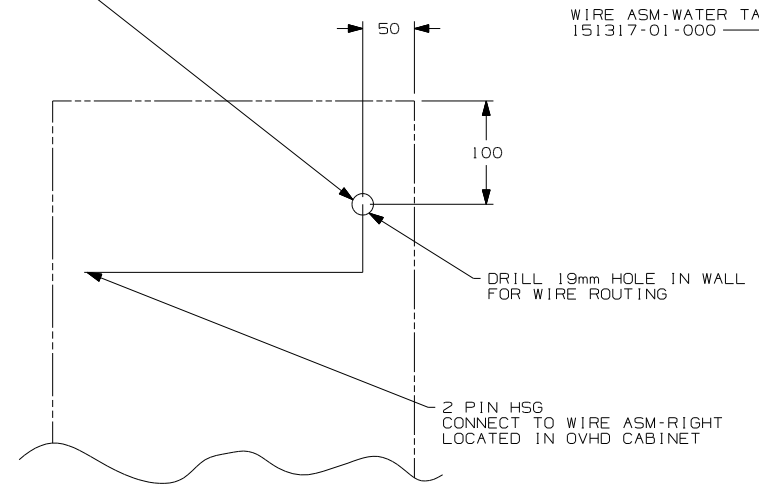
FOR ELECTRICAL TORQUE SPECIFICATIONS SEE DWG NO. 128783-01-000

(X-X) FOR ELECTRICAL CALLOUTS SEE DWG NO. 121339-01-000

WINNEBAGO		COPYRIGHT 2004 WINNEBAGO INDUSTRIES, INC.	
DFTR	ORIG. DATE	ALL DIMENSIONS ARE IN MILLIMETERS	
CHKR		FIRST USED	
P.E.		05 322R	
M.E.		UNSPECIFIED TOLERANCES ARE:	
DSNR		MATERIAL:	
		WHOLE DIM (X)	: 1
		ONE-PLACE (X.X)	: 1.5
		TWO-PLACE (X.XX)	: 0.50
		ANGLE	: 1°
THIRD ANGLE PROJECTION			
DO NOT SCALE DRAWING			
TITLE: WIRING INSTL.-BODY,12V			
SHEET 1 of 6	PART NO	150405	
REF: 146696-C 5/3/2004			



CONNECT BOTH RED WIRES OF CO DETECTOR TO YELLOW WIRE OF WIRE ASM
 CONNECT BLK WIRE OF CO DETECTOR TO WHT WIRE OF WIRE ASM



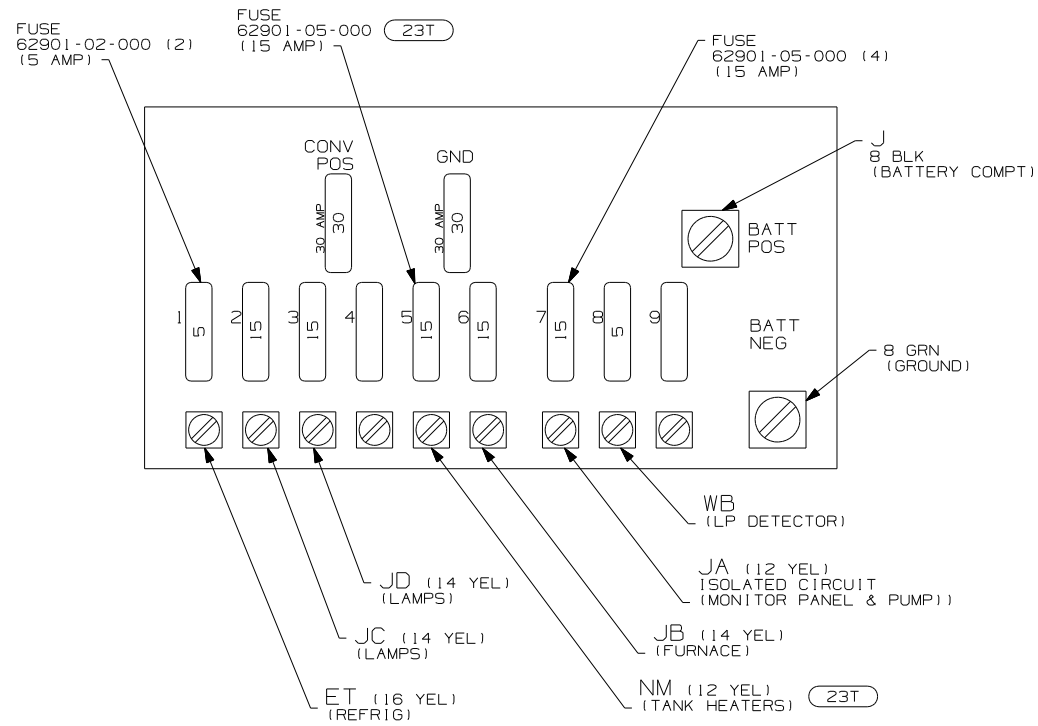
DETAIL BA (644)

- (644) GREAT ALASKAN RENTAL PACKAGE
- (50H) RADIOS TWO-WAY (4)
- (29J) AC HEAT PUMP-1
- (29D) A/C ROOF-ONE 13,500 BTU
- (1E2) ENTRANCE STEP-ELEC.
- (1D5) ENTERTAINMENT CENTR/EXT W/CD

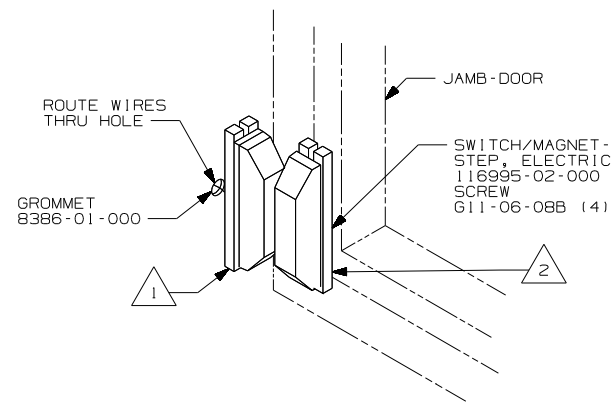
FOR ELECTRICAL TORQUE SPECIFICATIONS SEE DWG NO. 128783-01-000

(X-X) FOR ELECTRICAL CALLOUTS SEE DWG NO. 121339-01-000

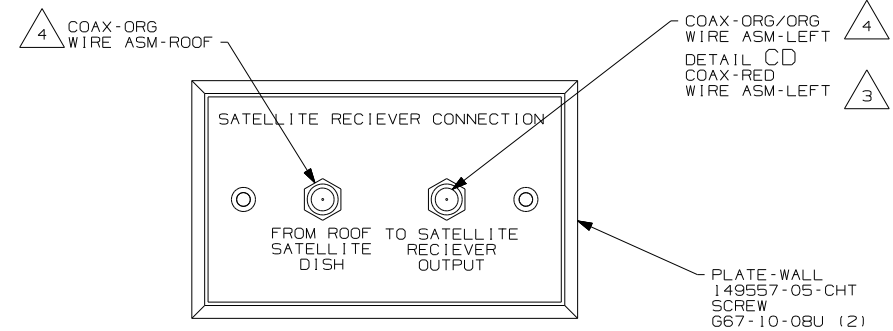
FIRST USED	05 322R
TITLE	DO NOT SCALE DRAWING
	WIRING INSTL.-BODY, 12V
SHEET 2	PART NO 150405



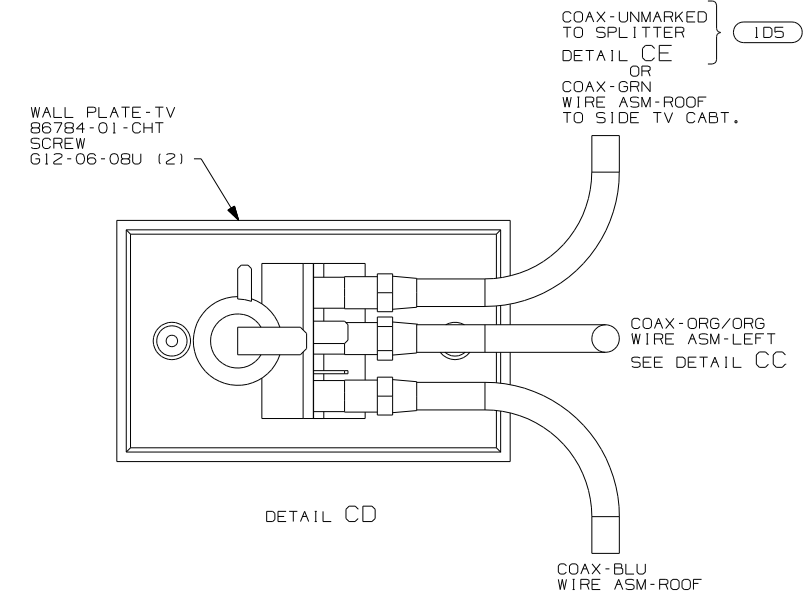
DETAIL CA



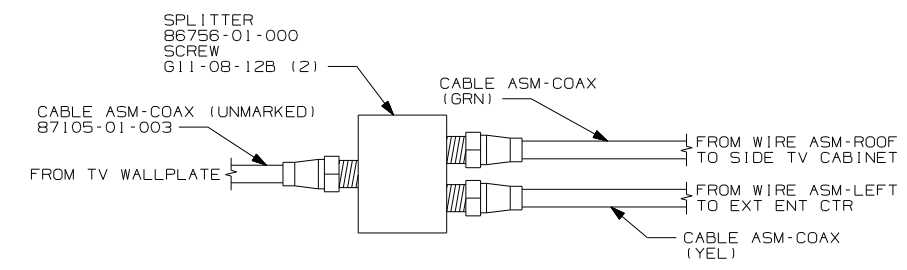
DETAIL CB (1E2)



DETAIL CC



DETAIL CD



DETAIL CE (1D5)

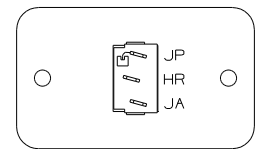
- NOTES:
- 4 CONNECT COAX TO BACK SIDE OF WALL PLATE.
 - 3 CONNECT COAX TO FRONT SIDE OF WALL PLATE.
 - 2 MAOUNT MAGNET USING PILOT HOLES IN SCREEN DOOR FRAME. MOUNT WITH MAGNET TOWARD SWITCH.
 - 1 MOUNT SWITCH AND SPACER TO BLOCK ON JAMB. ADJUST HEIGHT TO MATCH MAGNET.

- (23T) DRAINAGE SYSTEM-HEATED
- (1E2) ENTRANCE STEP-ELEC.
- (1D5) ENTERTAINMENT CENTR/EXT W/CD

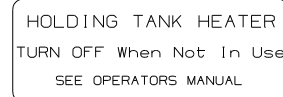
FOR ELECTRICAL TORQUE SPECIFICATIONS SEE DWG NO. 128783-01-000

FOR ELECTRICAL CALLOUTS SEE DWG NO. 121339-01-000

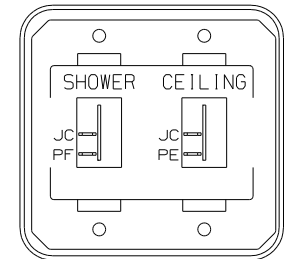
FIRST USED	05 322R
DO NOT SCALE DRAWING	
TITLE	WIRING INSTL.-BODY, 12V
SHEET 3	PART NO 150405



SWITCH-HEATER
89308-05-CHT
PLATE-SWITCH
98351-01-CHT
SCREW
G11-06-16J (2)
LABEL-SWITCH
134563-01-CHT

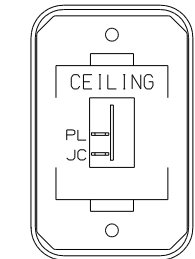


DETAIL DA (23T)



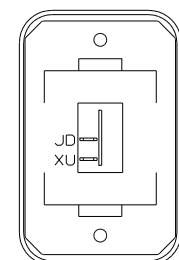
SWITCH-ROCKER
135740-01-CHT (2)
SWITCH-BASE
135741-02-CHT
SWITCH-BEZEL
135742-15-CHT
SCREW
G11-08-08U (4)

DETAIL DD



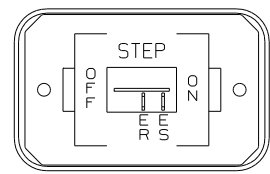
SWITCH-ROCKER
135740-01-CHT
SWITCH-BASE
135741-01-CHT
SWITCH-BEZEL
135742-07-CHT
SCREW
G11-08-08U (2)

DETAIL DG



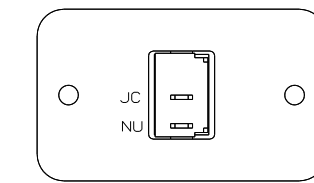
SWITCH-ROCKER
135740-01-CHT
SWITCH-BASE
135741-01-CHT
SWITCH-BEZEL
135742-01-CHT
SCREW
G11-08-08U (2)

DETAIL DB



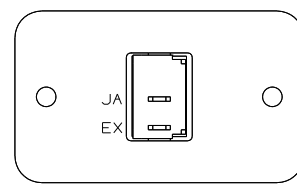
SWITCH-ROCKER
135740-01-CHT
SWITCH-BASE
135741-01-CHT
SWITCH-BEZEL
135742-11-CHT
SCREW
G11-08-08U (2)

DETAIL DE (IE2)



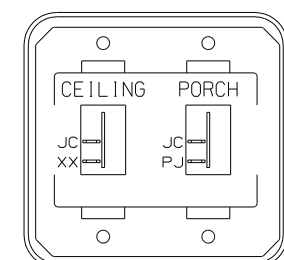
SWITCH-PLATE
098351-01-CHT
SWITCH
132180-01-CHT
SCREW
G11-06-16J (2)

DETAIL DH



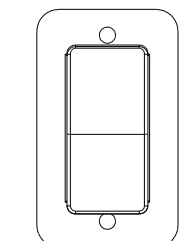
SWITCH-PLATE
098351-14-CHT
SWITCH
132180-01-CHT
SCREW
G11-06-16J (2)

DETAIL DC

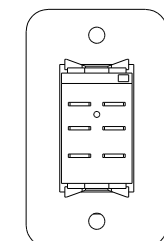


SWITCH-ROCKER
135740-01-CHT (2)
SWITCH-BASE
135741-02-CHT
SWITCH-BEZEL
135742-19-CHT
SCREW
G11-08-08U (4)

DETAIL DF



DETAIL DJ (FRONT SIDE)



DETAIL DJ (BACK SIDE)

SWITCH-BATTERY, DISC
108357-06-000
ACTUATOR-SWITCH
108356-11-CHT
PLATE-SWITCH
98351-07-CHT
SCREW
G11-06-10U (2)

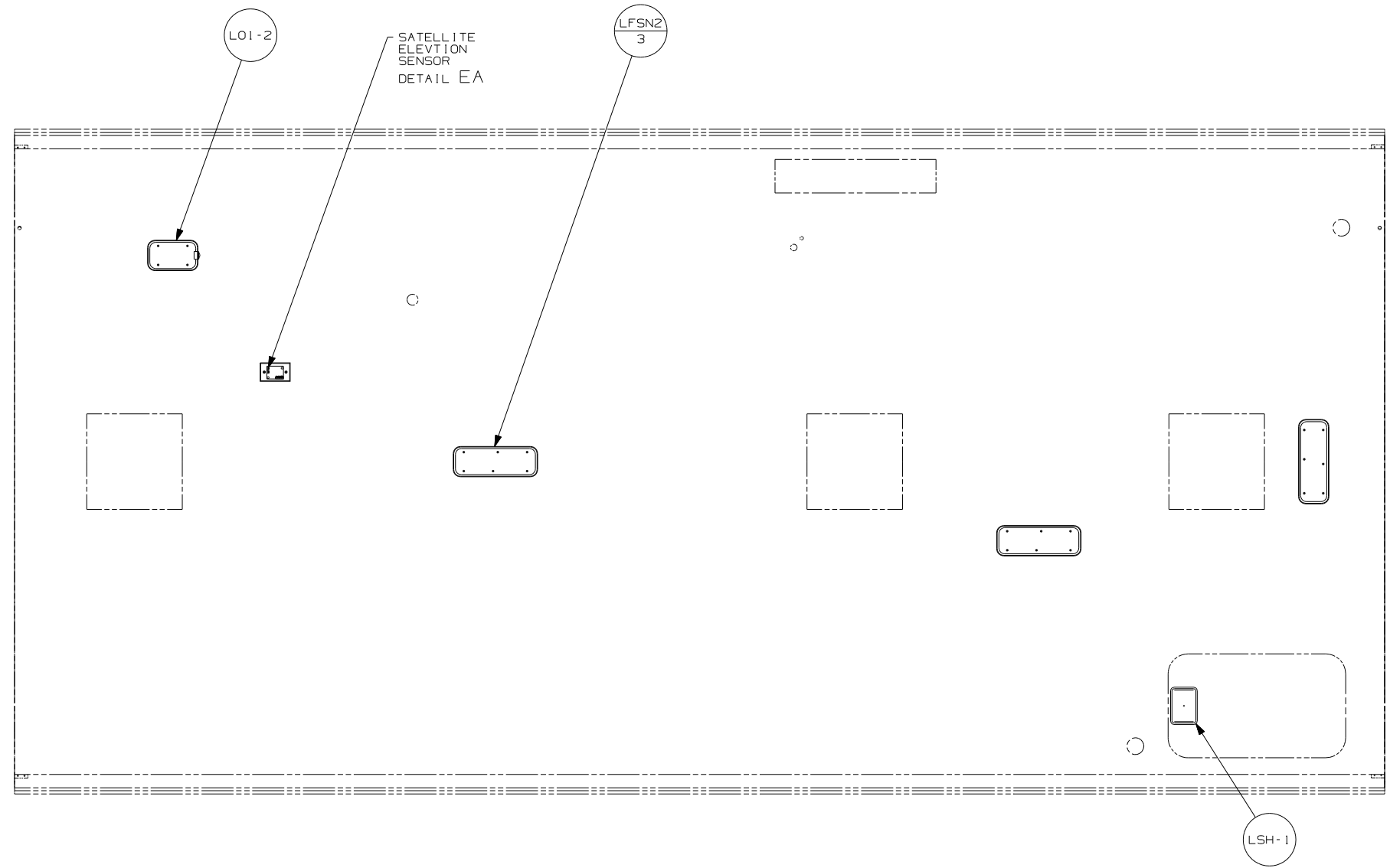
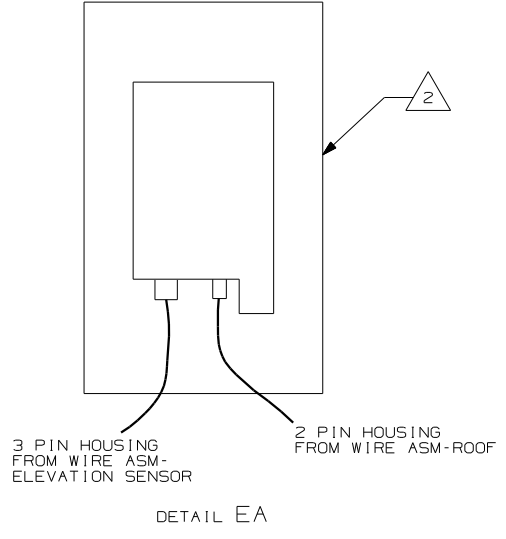
(23T) DRAINAGE SYSTEM-HEATED

(IE2) ENTRANCE STEP-ELEC.

FOR ELECTRICAL TORQUE SPECIFICATIONS SEE DWG NO. 128783-01-000

(X-X) FOR ELECTRICAL CALLOUTS SEE DWG NO. 121339-01-000

FIRST USED	05 322R
TITLE	DO NOT SCALE DRAWING
TITLE	WIRING INSTL.-BODY, 12V
SHEET 4	PART NO 150405



△ SENSOR SUPPLIED WITH SATELLITE ASSEMBLY.
1. SEE ROOF ASM FOR ADDITIONAL INFORMATION.

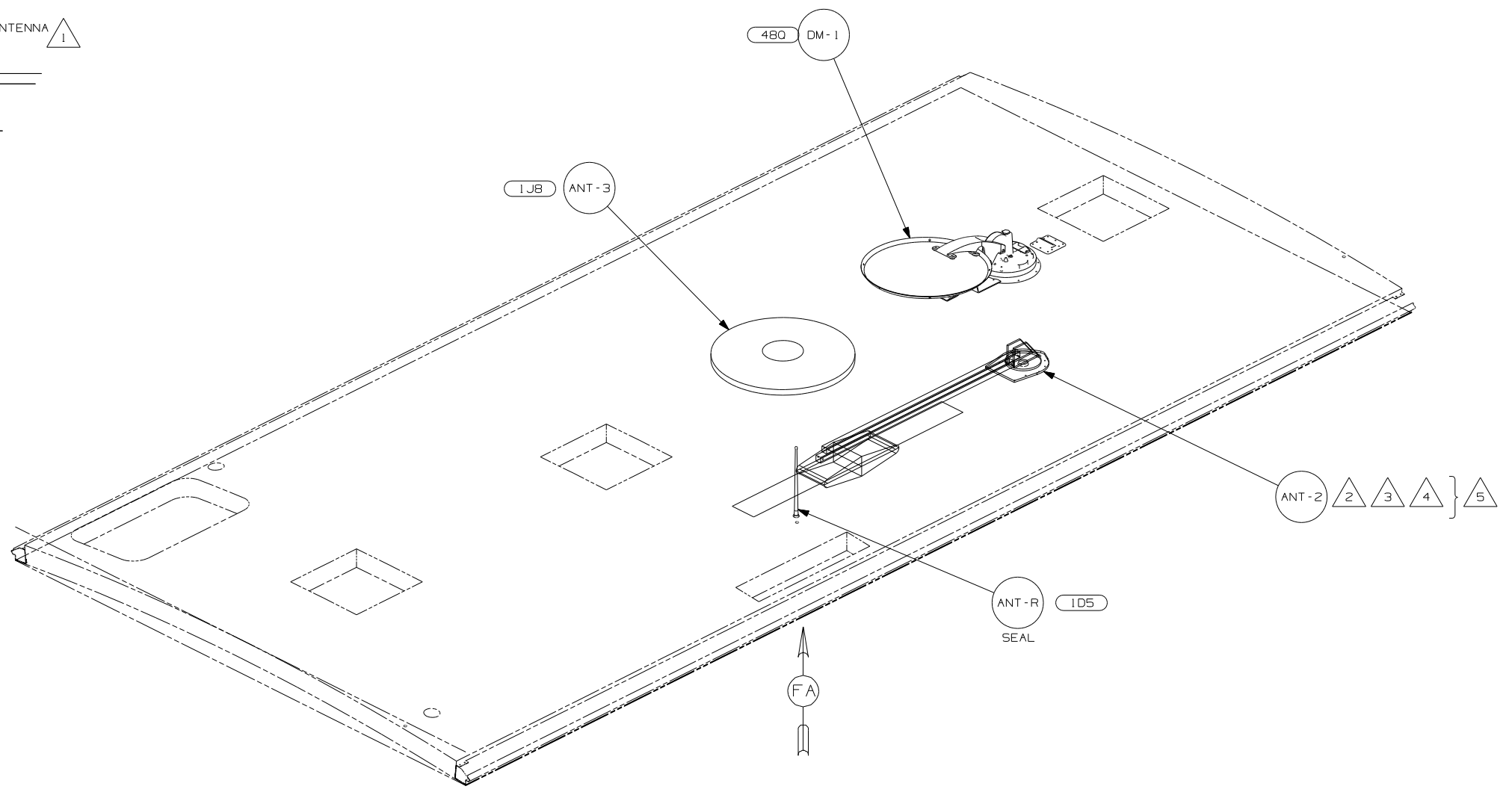
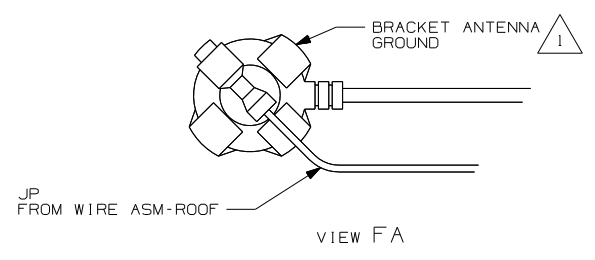
NOTES:

FOR ELECTRICAL TORQUE SPECIFICATIONS SEE DWG NO. 128783-01-000

FOR ELECTRICAL CALLOUTS SEE DWG NO. 121339-01-000

480 SATELLITE DISH & ELEV.SENSOR

FIRST USED	05 322R
DO NOT SCALE DRAWING	
TITLE:	WIRING INSTL.-BODY, 12V
SHEET 5	PART NO 150405



- NOTES:
- 5 NOT USED WITH 1JB.
 - 4 ADD RUBBER BUMPERS TO ROOF UNDER EACH END IN ANTENNA IN DOWN POSITION.
 - 3 LOCATE CLIP TO RETAIN CABLE BUT NOT TO RESTRICT ANTENNA.
 - 2 SEE DRAWING 76319-01-000 FOR INSTALLATION OF TV ANTENNA.
 - 1 WRAP BRACKET LEGS AROUND ANTENNA BASE.

- 1JB TV ANTENNA-OMNIDIRECTIONAL
- 480 SATELLITE DISH & ELEV.SENSOR
- 1D5 ENTERTAINMENT CENTR/EXT W/CD

FOR ELECTRICAL TORQUE SPECIFICATIONS SEE DWG NO. 128783-01-000

(X-X) FOR ELECTRICAL CALLOUTS SEE DWG NO. 121339-01-000

FIRST USED	05 322R
DO NOT SCALE DRAWING	
TITLE	WIRING INSTL.-BODY, 12V
SHEET 6	PART NO 150405