



DANGER

Danger of electrical shock, burns or death. Always remove all power sources before attempting any repair, service or diagnostic work. Power can be present from shore power, generator, inverter or battery. All power sources must be disabled and secured before performing any service.

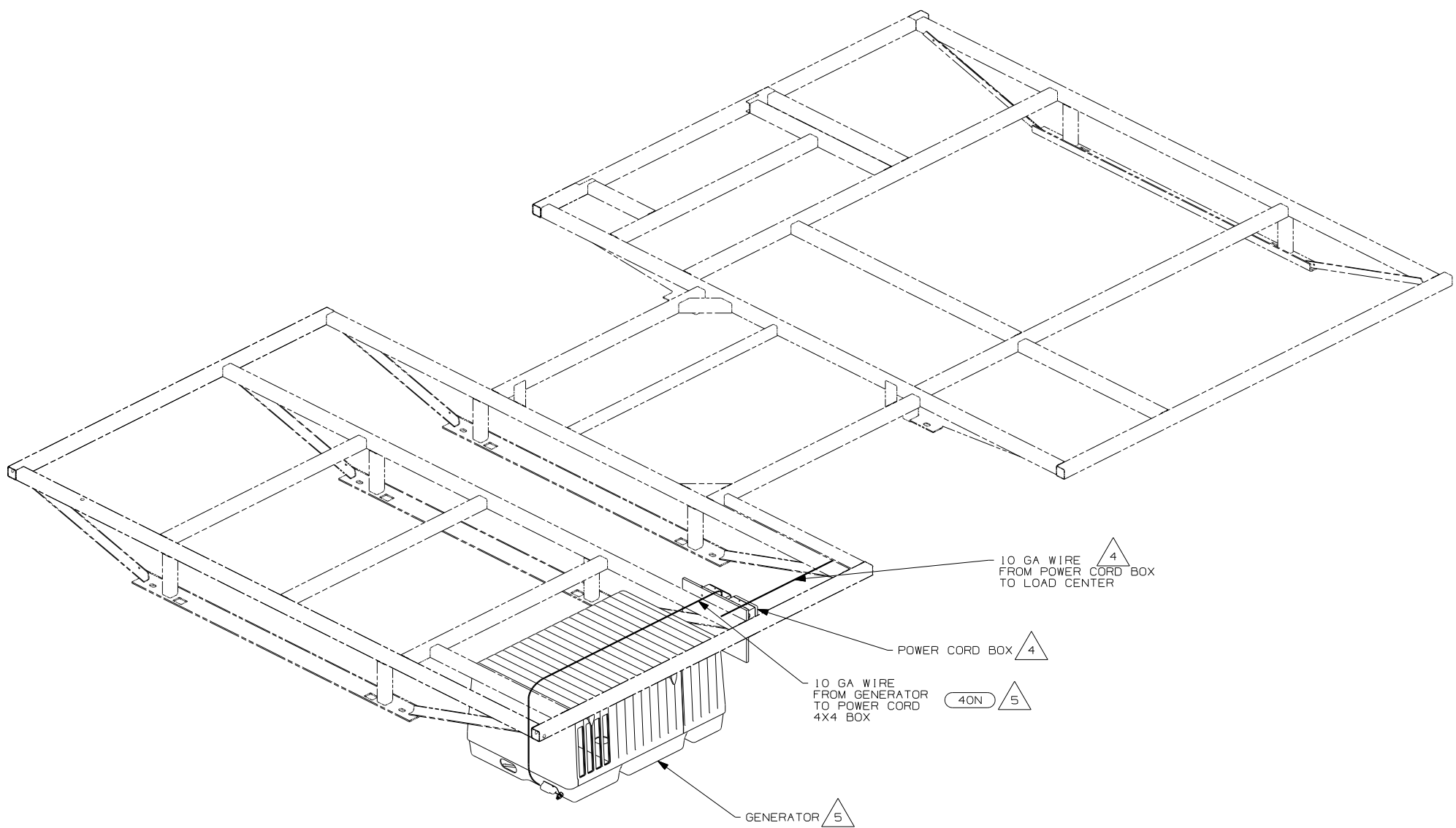


CAUTION

If you lack the skills, tools or equipment to perform diagnostic or repair work leave such work to an authorized Winnebago Industries dealer or other qualified shop.

DRAWING NO.	FEATURE
150404-01	-----
150404-11	(1B1) (12D)
150404-15	(265) (12D)

RELEASE	REV DATE	DWG NO	150404
REV ZONE	REVISION RECORD	DATE	DFTR-ORIG

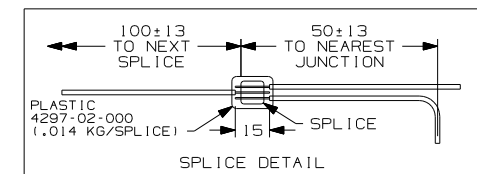


- 5 SEE GENERATOR INSTL FOR ADDITIONAL INFORMATION.
4. FOR MORE INFORMATION SEE LOAD CENTER ASM.
3. ALL GROUND WIRE TO BE COVERED WITH TUBING 8041-02-000.
2. ALL 110V WIRE TO BE CLAMPED WITH CLAMP 10497-05-000 WITHIN 200MM OF OUTLET BOXES, USE SCREW G67-10-12B.
1. ALL WIRES TO BE SECURED WITH CLAMP 10495-01-000 OR CLIP 80734-01-000 EVERY 600MM. USE SCREW G67-10-12B UNLESS OTHERWISE SPECIFIED.

NOTES:

FOR ELECTRICAL TORQUE SPECIFICATIONS SEE DWG NO. 128783-01-000

FOR ELECTRICAL CALLOUTS SEE DWG NO. 121339-01-000



- (40N) GEN-4.0KW-ONANGAS-MICROQUIET
- (265) CODES/STANDARDS-CSA/CMVSS
- (12D) ELECTRICAL SYSTEM 30 AMP
- (1B1) CODES/STANDARDS USA

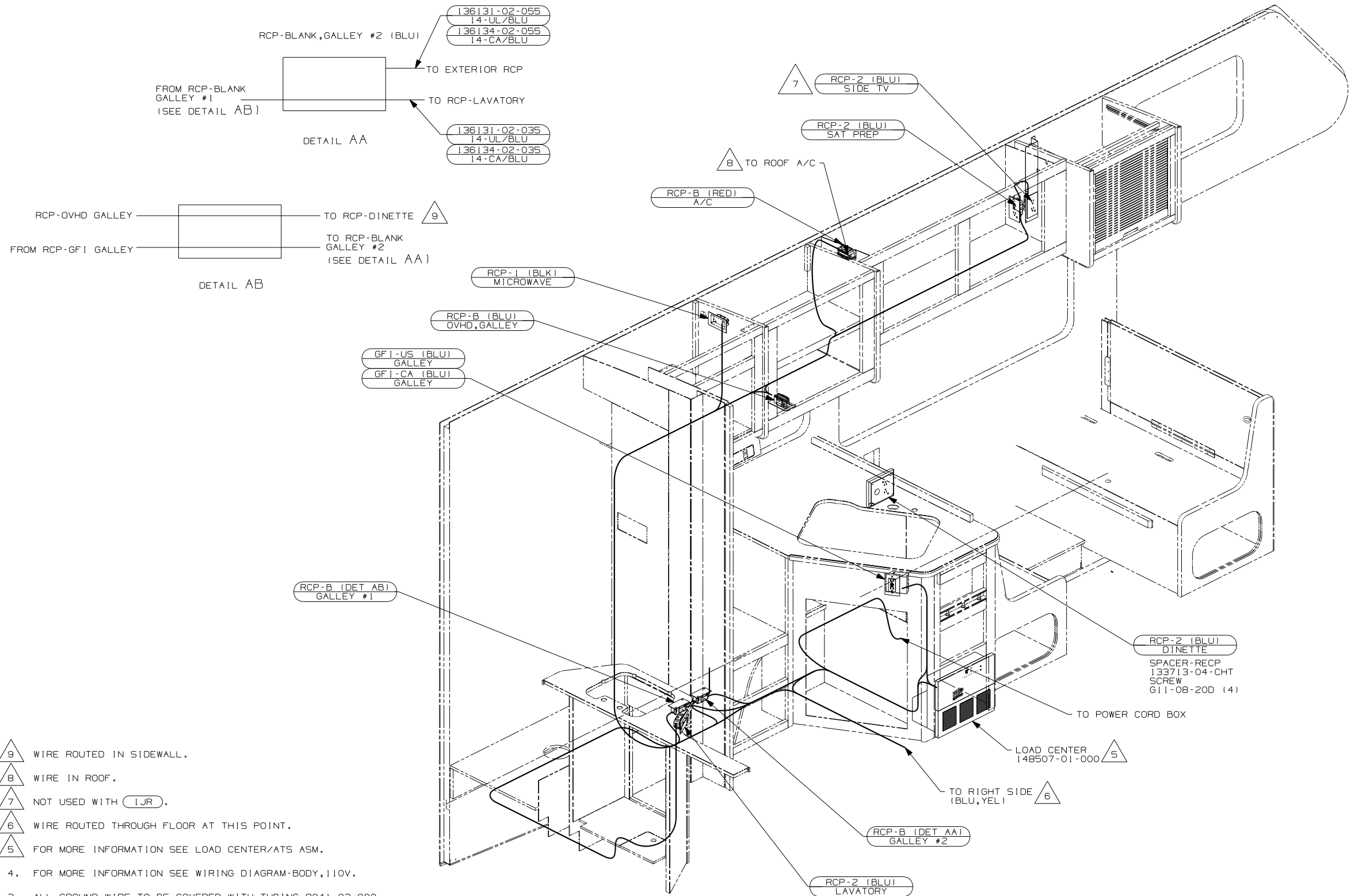


DFTR	ORIG. DATE
CHKR	ALL DIMENSIONS ARE IN MILLIMETERS
P.E.	
M.E.	FIRST USED
DSNR	05 322R
UNSPECIFIED TOLERANCES ARE:	MATERIAL:
WHOLE DIM (X)	:
ONE-PLACE (X.X)	:
TWO-PLACE (X.XX)	:
ANGLE	:
THIRD ANGLE PROJECTION	

DO NOT SCALE DRAWING

TITLE: WIRING INSTL.-BODY, 110V

SHEET 1 OF 3 PART NO 150404

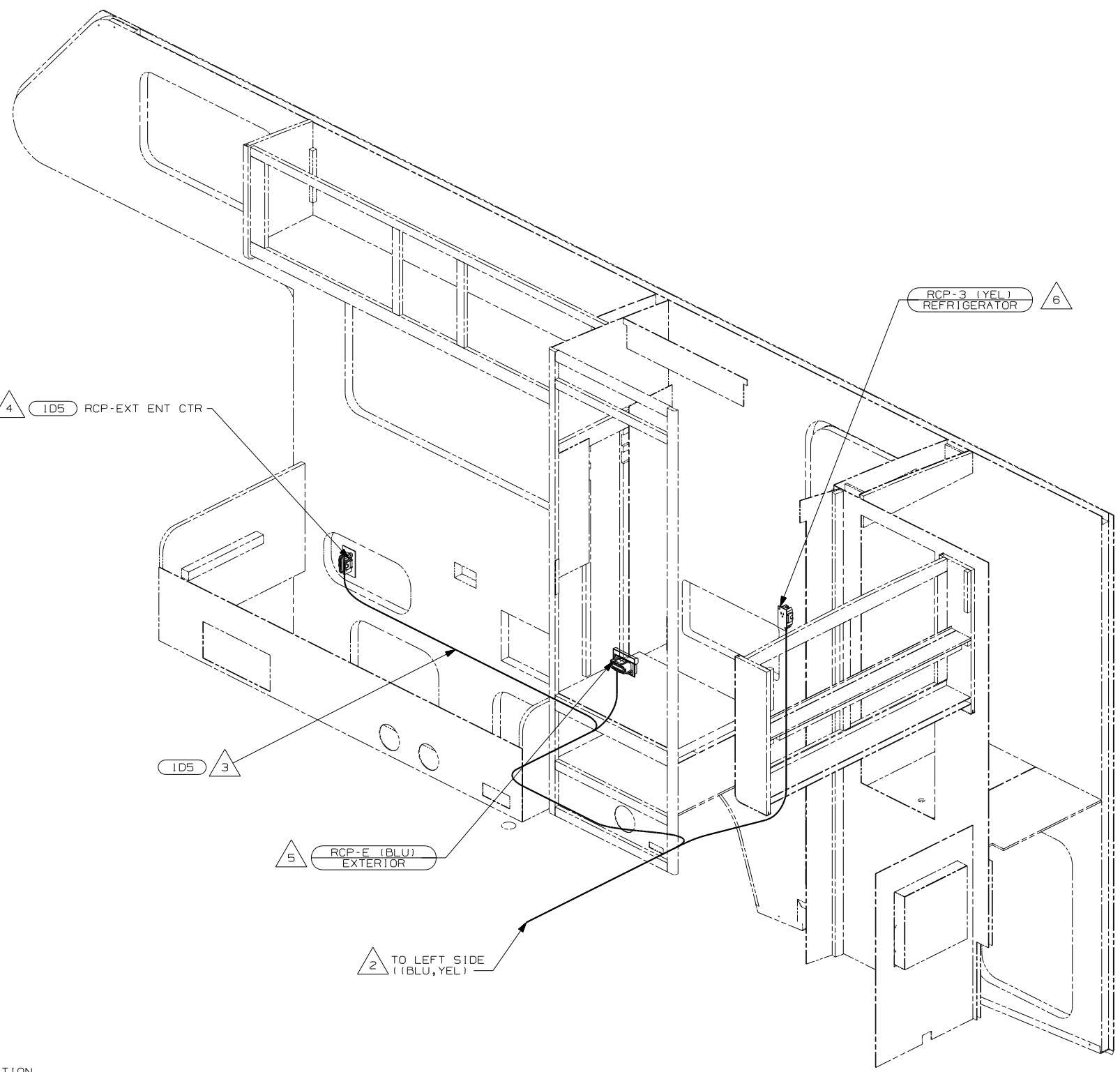


- 9 WIRE ROUTED IN SIDEWALL.
- 8 WIRE IN ROOF.
- 7 NOT USED WITH 1JR.
- 6 WIRE ROUTED THROUGH FLOOR AT THIS POINT.
- 5 FOR MORE INFORMATION SEE LOAD CENTER/ATS ASM.
- 4. FOR MORE INFORMATION SEE WIRING DIAGRAM-BODY, 110V.
- 3. ALL GROUND WIRE TO BE COVERED WITH TUBING 8041-02-000.
- 2. ALL 110V WIRE TO BE CLAMPED WITH CLAMP 10497-05-000 WITHIN 200MM OF OUTLET BOXES, USE SCREW G67-10-12B.
- 1. ALL WIRES TO BE SECURED WITH CLAMP 10495-01-000 OR CLIP 80734-01-000 EVERY 600MM. USE SCREW G67-10-12B UNLESS OTHERWISE SPECIFIED.

NOTES:

- 265 CODES/STANDARDS-CSA/CMVSS
- 1D5 ENTERTAINMENT CENTR/EXT W/CD
- 1JR TV-13" W/DVD-12V
- 1B1 CODES/STANDARDS USA

FIRST USED	05 322R
TITLE	DO NOT SCALE DRAWING
WIRING INSTL.-BODY, 110V	
SHEET 2	PART NO 150404



- △ 6 LOCATE RCP ON REFRIGERATOR TIEDOWN BRACKET.
- △ 5 NOT USED WITH (ID5).
- △ 4. SEE ENTERTAINMENT CENTER-COMPL FOR ADDITIONAL INFORMATION.
- △ 3. ROUTE WIRE ALONG FLOOR.
- △ 2. ROUTE WIRE THRU FLOOR.

1. ALL WIRES TO BE SECURED WITH CLAMP 10495-01-000 OR CLIP 80734-01-000 EVERY 600MM. USE SCREW 667-10-12B UNLESS OTHERWISE SPECIFIED.

NOTES:

- (265) CODES/STANDARDS-CSA/CMVSS
- (ID5) ENTERTAINMENT CENTR/EXT W/CD
- (IB1) CODES/STANDARDS USA

(IB1) (265)

FIRST USED	05 322R
DO NOT SCALE DRAWING	
TITLE	WIRING INSTL.-BODY, 110V
SHEET 3	PART NO 150404