

- 9 SEE WIRING INST-BODY, 12V FOR ELECTRICAL CONNECTION.
- 8 SECURE PIPES TO CABINET USING WIRE TIE 108046-02-000, AND SCREW G67-10-12B.
- 7 SECURE VENT TUBES TO FLOOR WITH CLAMP 62401-02-000 (2), SCREW G67-10-12B (2), BRACKET 136878-01-CHT (2).
- 6 VENT PIPE MUST PROJECT 51 MIN AND 64 MAX ABOVE ROOF FOR PROPER FIT AND FUNCTION.
5. SEAL AROUND SHOWER WITH SILICONE.
4. ALL EXTERIOR OPENINGS AROUND PIPE TO BE SEALED WITH 131264-03-000.
3. ALL PIPE AND FITTINGS TO BE ASSEMBLED WITH SOLVENT 4020-01-000 (USA), 4020-02-000 (CAN)
2. SLOPE OF TRAP ARM MUST BE 6 PER 305 mm.
1. SLOPE OF HORIZONTAL PIPING TO BE MIN 3 PER 305 mm.

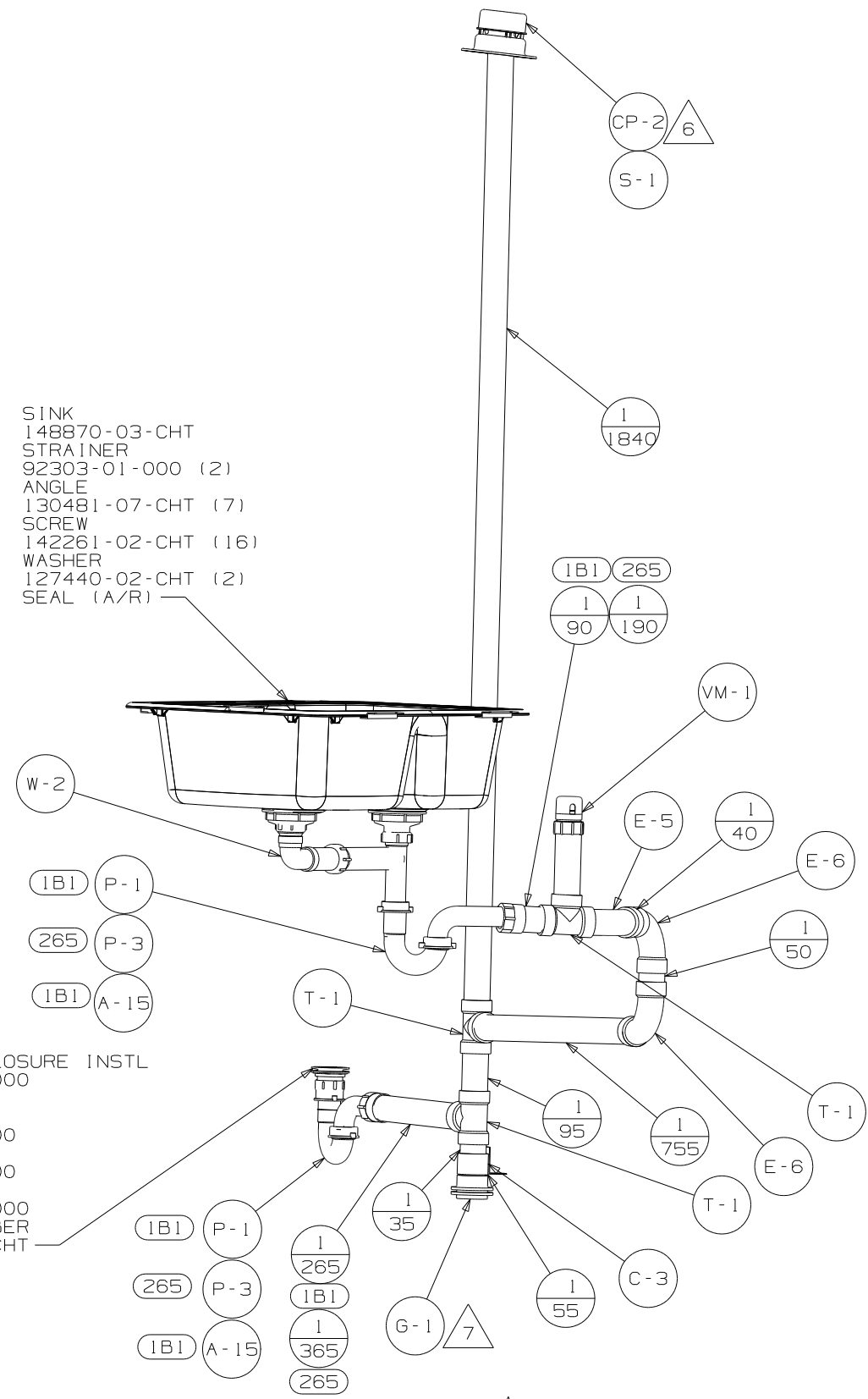
- (1B1) CODES/STANDARDS-USA
- (265) CODES/STDS-CSA/CMVSS
- (23T) HEATED HOLDING TANKS PACKAGE
- (23F) SHOWER SURROUND

WINNEBAGO		COPYRIGHT 2005 WINNEBAGO INDUSTRIES, INC.	
DFT	ORIG. DATE	ALL DIMENSIONS ARE IN MILLIMETERS	
CHKR		FIRST USED	
P.E.		05 322R	
M.E.		UNSPECIFIED TOLERANCES ARE:	
DSNR		MATERIAL:	
		WHOLE DIM (X) :	7
		ONE-PLACE (X.X) :	
		TWO-PLACE (X.XX) :	
		ANGLE :	
		THIRD ANGLE PROJECTION	
DO NOT SCALE DRAWING			
TITLE: DRAINAGE SYSTEM INSTL			
SHEET 1 OF 3	PART NO	150180	

(X-X)
FOR
DRAINAGE
CALLOUTS
SEE DWG NO
116229-01-000

- SINK
148870-03-CHT
- STRAINER
92303-01-000 (2)
- ANGLE
130481-07-CHT (7)
- SCREW
142261-02-CHT (16)
- WASHER
127440-02-CHT (2)
- SEAL (A/R)

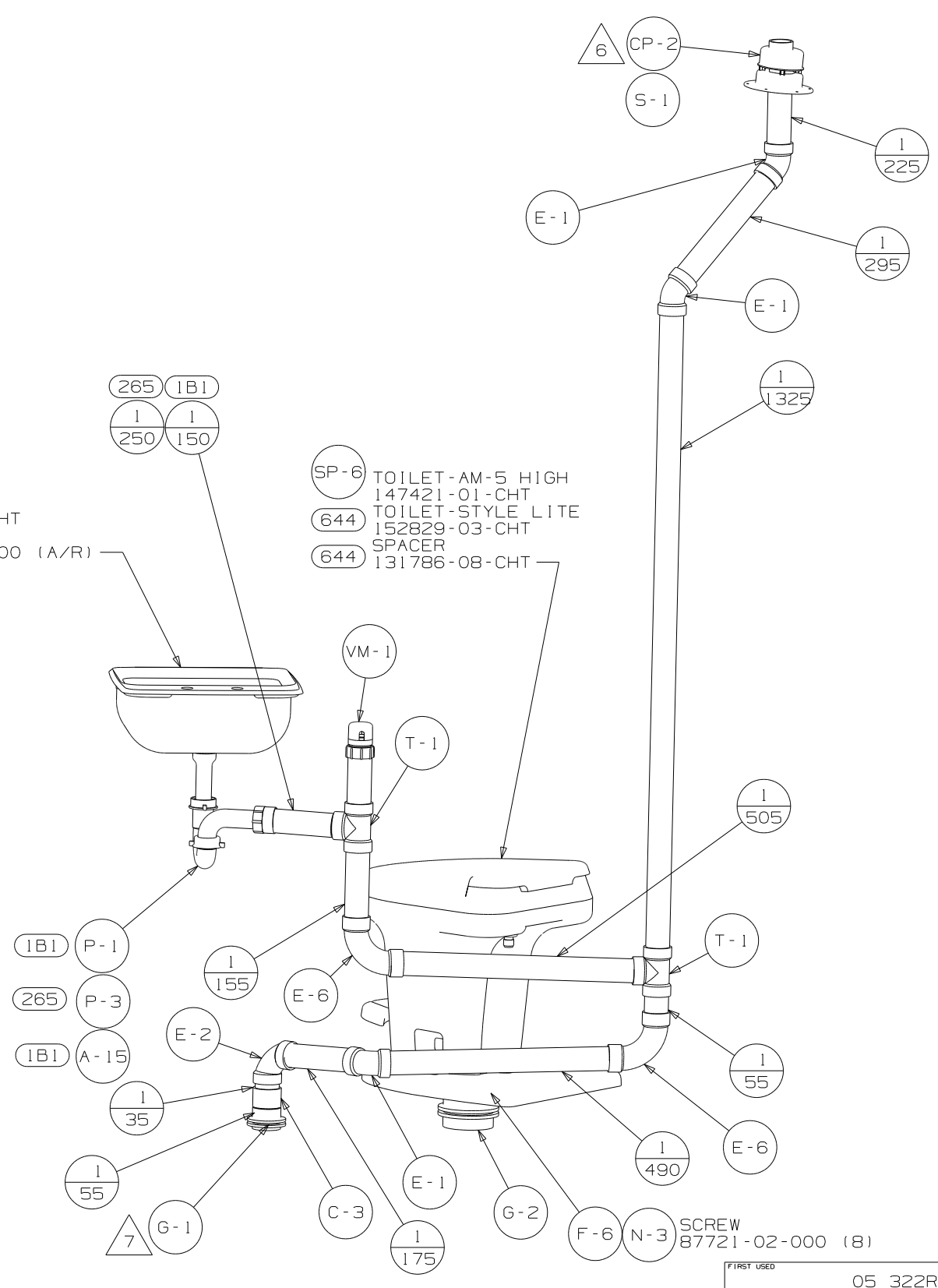
- 43F SHOWER ENCLOSURE INSTL
147883-02-000
- SEALANT
- STRAINER
66440-01-000
- TAILPIECE
11069-06-000
- NUT
130403-01-000
- WASHER-RUBBER
127440-02-CHT



VIEW A

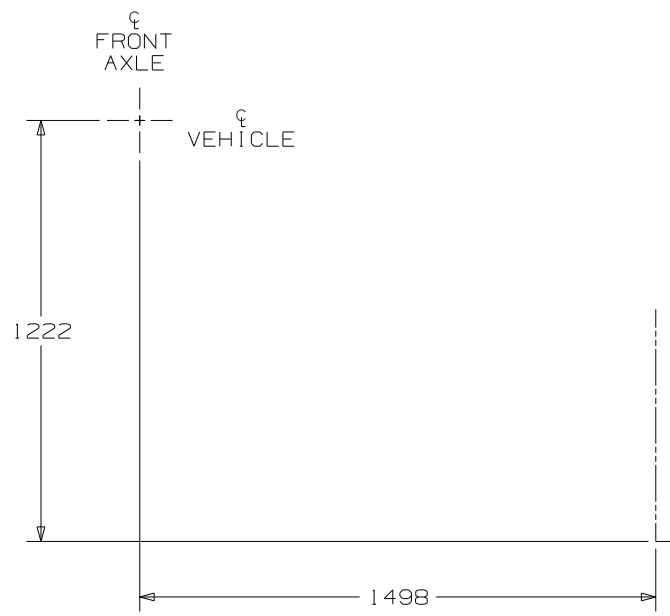
- SINK
96927-01-CHT
- SEAL
91255-02-000 (A/R)

- SP-6 TOILET-AM-5 HIGH
147421-01-CHT
- 644 TOILET-STYLE LITE
152829-03-CHT
- 644 SPACER
131786-08-CHT

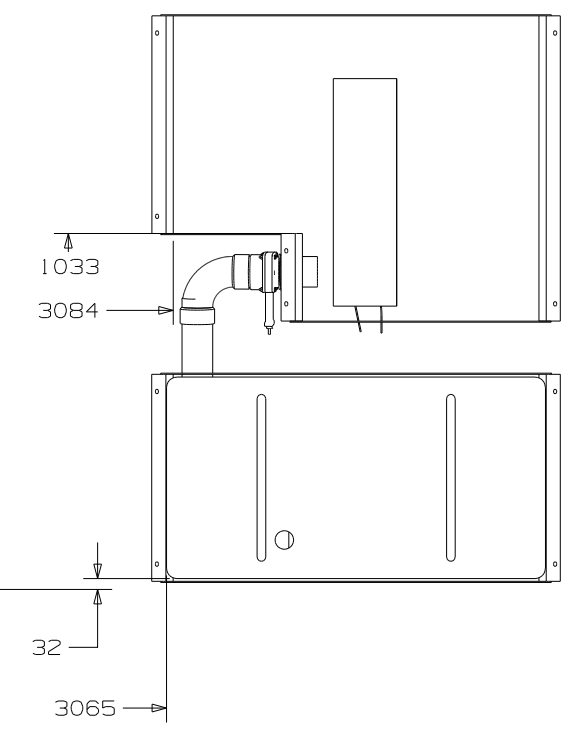


VIEW B

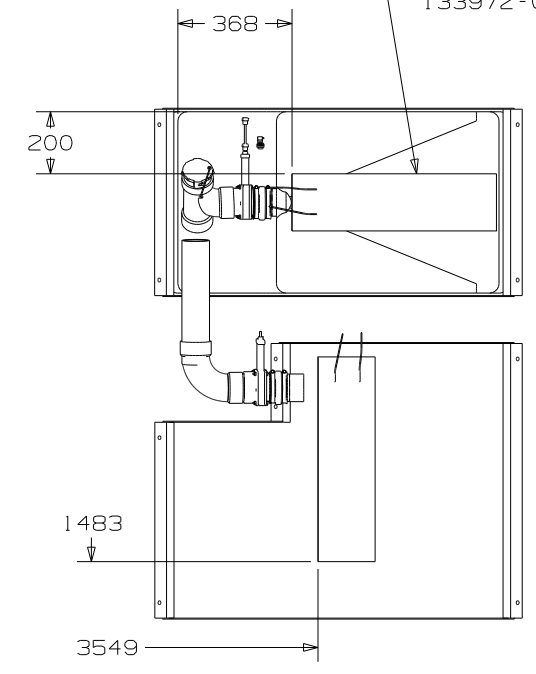
FIRST USED	05 322R
DO NOT SCALE DRAWING	
TITLE	DRAINAGE SYSTEM INSTL
SHEET 2	PART NO 150180



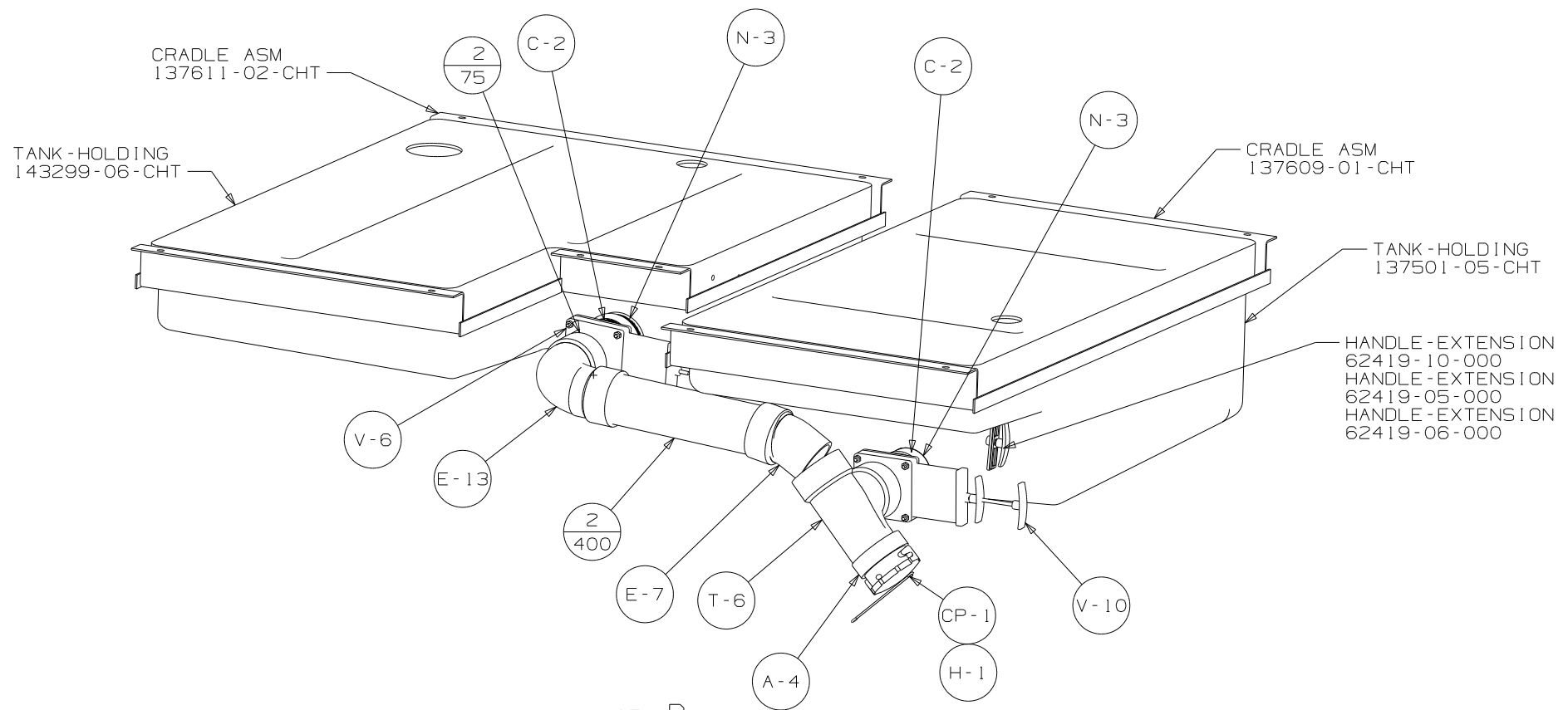
VIEW C



PAD-HEATER
133972-01-000 (2) (23T)

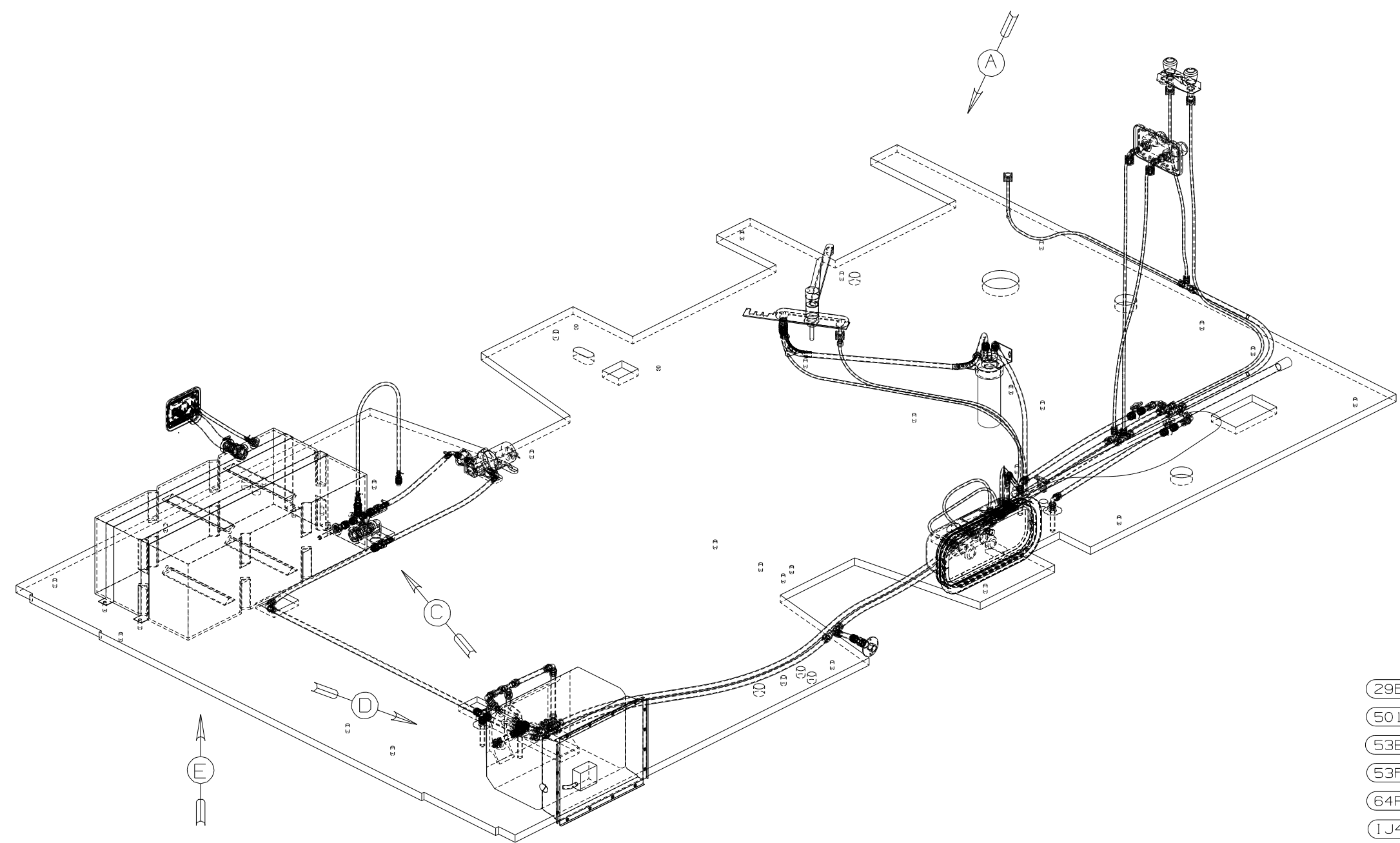


VIEW E



VIEW D

FIRST USED	05 322R
TITLE	DO NOT SCALE DRAWING
SHEET 3	PART NO 150180
DRAINAGE SYSTEM INSTL	

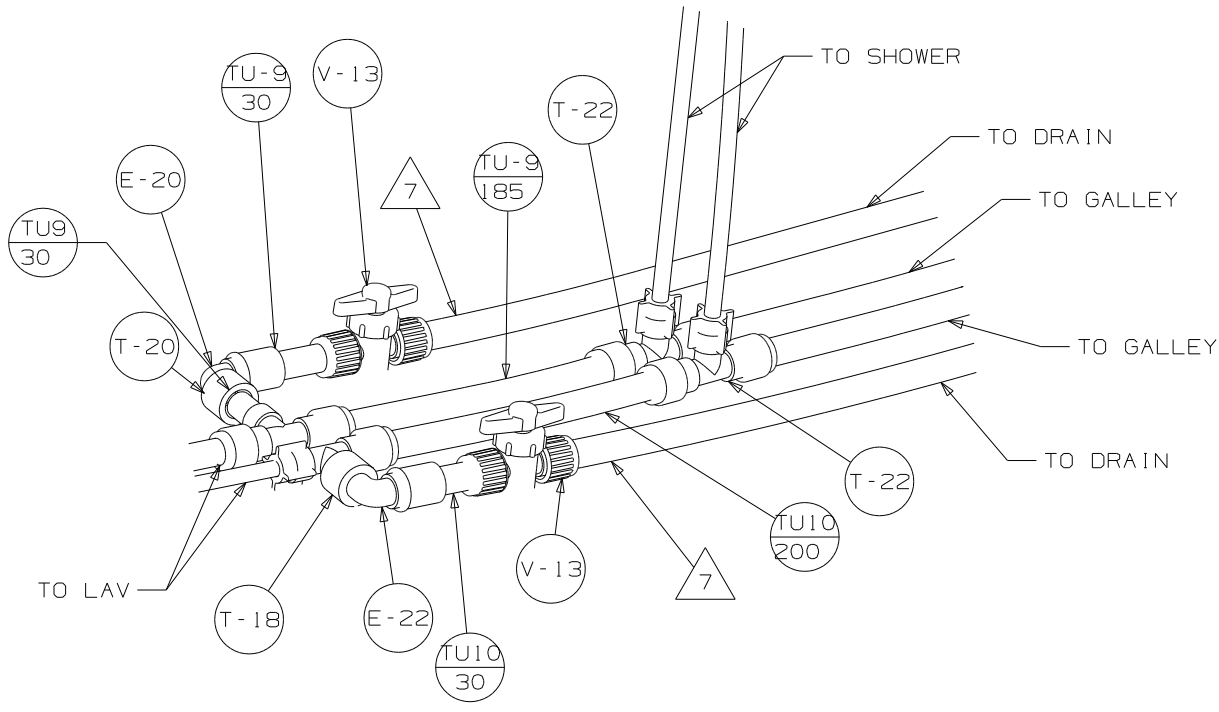


- (29B) WATER PURIFIER
- (501) WATER PURIFIER W/O
- (53E) WTR SYS WINTERIZING PKG
- (53F) WATER HEATER-ELEC. IGN.
- (64R) EXT WASH STATION
- (1J4) EXT WASH STATION-WITHOUT

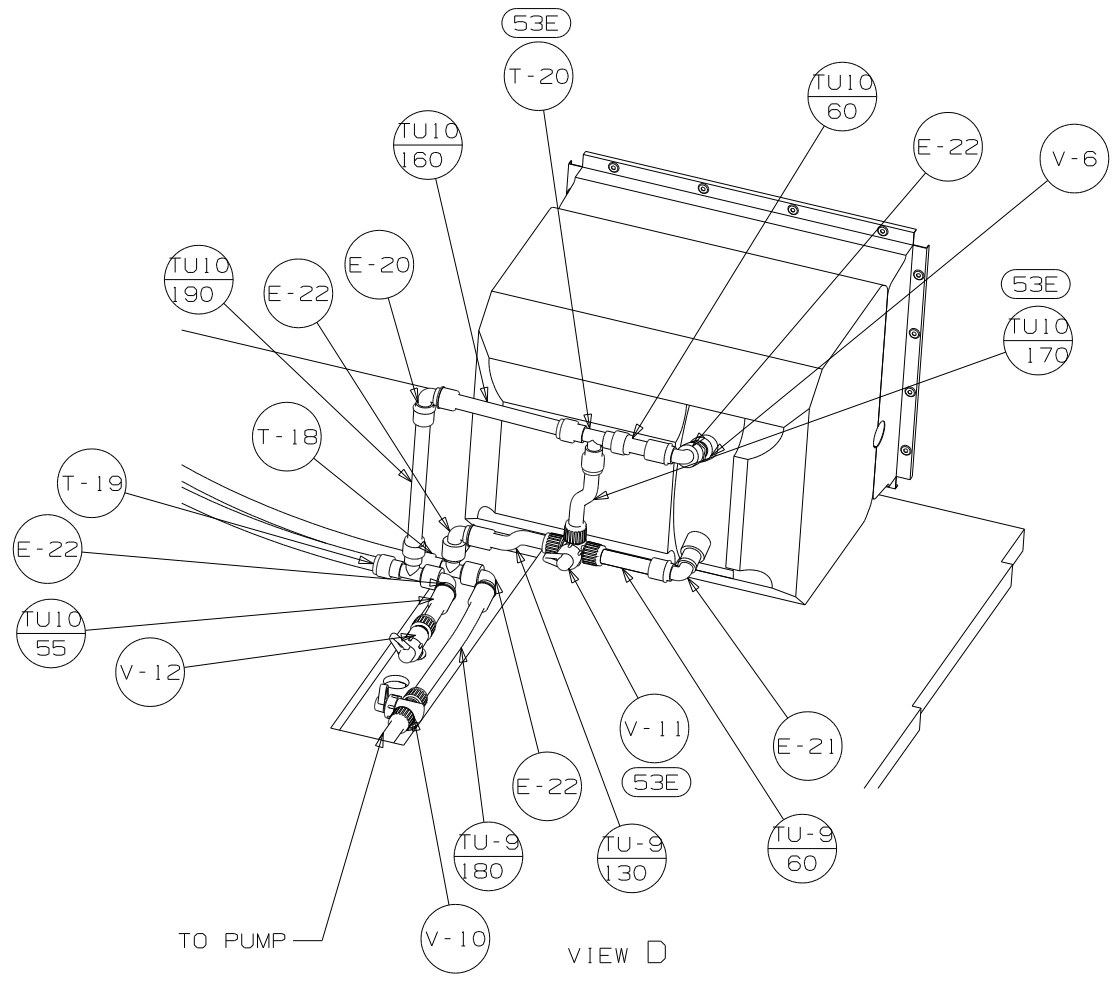
- NOTES:
- 7 ADD ANTI-RATTLE CLAMP 10495-01-000.
 - 6 ADD TEFLON TAPE 10405-02-000.
 - 5 ADD TEFLON TAPE 10405-02-000.
 - 4 FLUSHING SYSTEM REQUIRES 125697-06-000 INSTRUCTION SHEET.
 - 3. ALL TUBING TO BE SECURED AT 1200 INTERVALS MAXIMUM WITH CLAMP 10495-01-000 OR CLIP 9151-01-000 AND SCREW G67-10-12B.
 - 2. TUBING TO BE INSTALLED WITH SUFFICIENT SLOPE TO PROVIDE DRAINAGE TO NEAREST VALVE.
 - 1. PLASTIC FITTINGS TO BE SEALED WITH SEALANT 84456-01-000.

WINNEBAGO		COPYRIGHT 2005 WINNEBAGO INDUSTRIES, INC.	
DFTR	ORIG. DATE	ALL DIMENSIONS ARE IN MILLIMETERS	
CHKR		FIRST USED	
P.E.		05 322R	
M.E.		UNSPECIFIED TOLERANCES ARE:	
DSNR		MATERIAL:	
		WHOLE DIM (X) :	7
		ONE-PLACE (X.X) :	
		TWO-PLACE (X.XX) :	
		ANGLE :	
THIRD ANGLE PROJECTION		DO NOT SCALE DRAWING	
TITLE: WATER SYSTEM INSTL			
SHEET 1 OF 3		PART NO 150178	

(X-X)
FOR
WATER
CALLOUTS
SEE DWG NO
116230-01-000

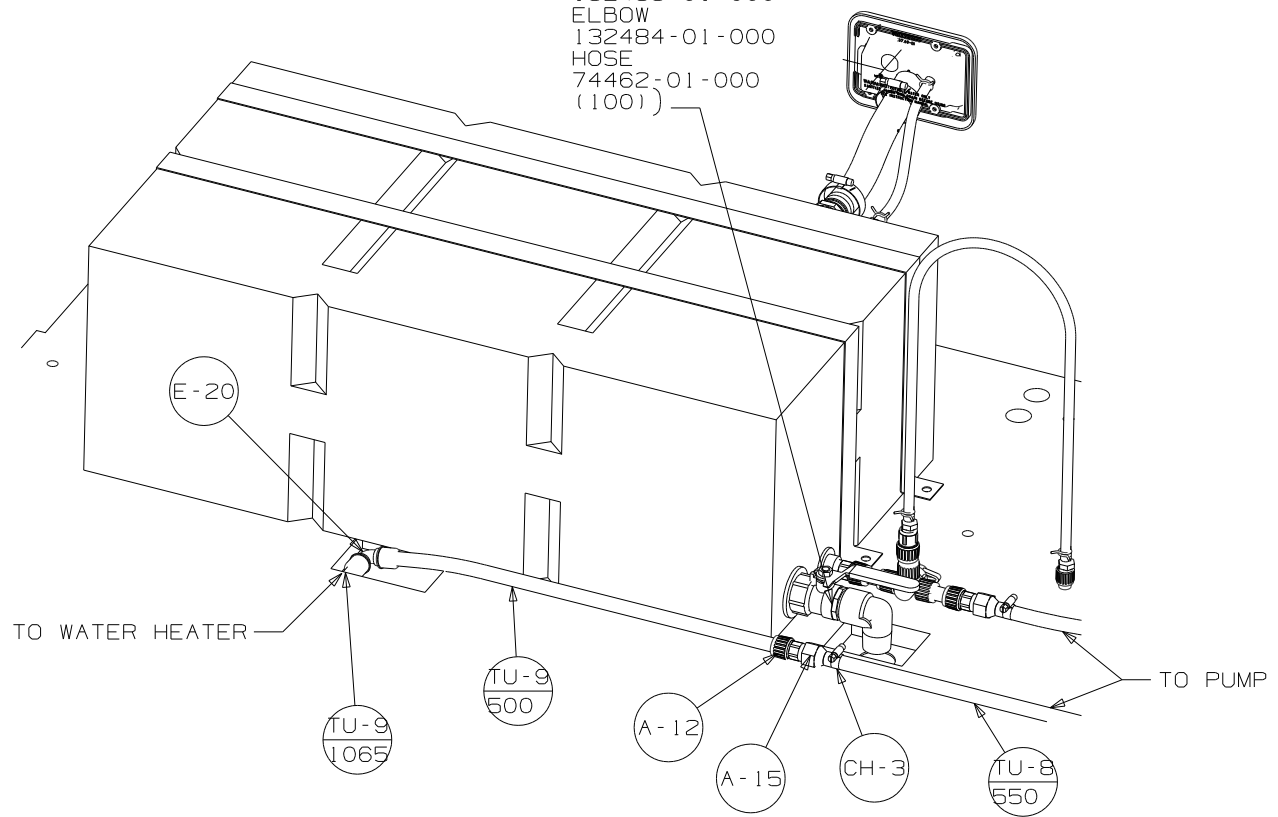


DETAIL B

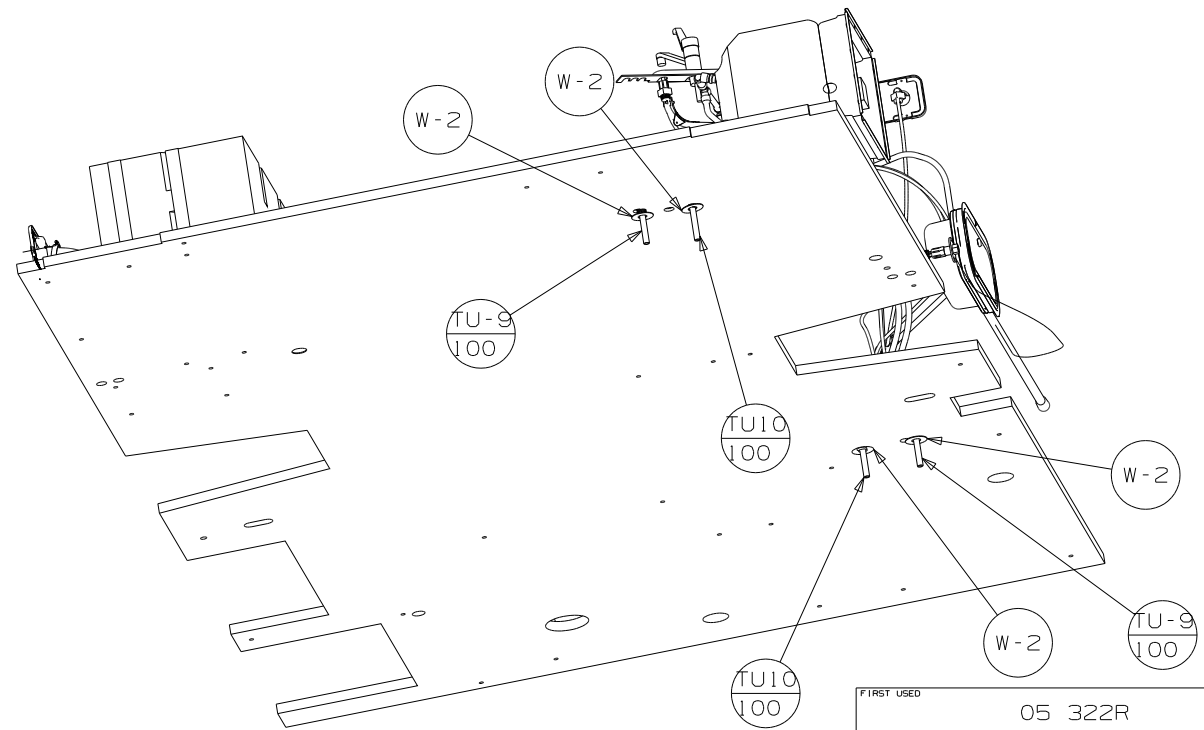


VIEW D

- VALVE 132483-01-000
- ELBOW 132484-01-000
- HOSE 74462-01-000 (100)



VIEW C



VIEW E

FIRST USED	05 322R
TITLE	DO NOT SCALE DRAWING
TITLE	WATER SYSTEM INSTL
SHEET 3	PART NO 150178