

Table of Contents

2005 Minnie/Spirit 322R Wiring Diagram Book

- 110 Volt Load Center/Auto Transfer Switch
- Antenna Installation, Radio and CB
- Auto Lamps Wiring Diagram
- Backup Monitor Installation
- Body, 110 Volt Wiring Diagram
- Body, 110 Volt Wiring Installation
- Body, 12 Volt Wiring Diagram
- Body, 12 Volt Wiring Installation
- Chassis Electrical Box Assembly
- Chassis Wiring Installation
- Dash Radio Installation
- Exterior Lamps Wiring Installation
- Holding Tank Monitor Panel
- Holding Tanks Wiring Diagram (Non-Contact Tank Level System **)
- Holding Tanks Wiring Diagram (Direct Contact Tank Level System **)
- TV Coax Wiring Diagram
- TV/VCR, Front Wiring Installation
- TV/VCR, Side Wiring Installation

Complete Wiring Diagram Book (701674-74-005)

** Units manufactured before 4/30/04 utilize a Direct Contact Tank Level System and have a green circuit board on the monitor panel.
Units manufactured after 4/30/04 utilize a Non-Contact Tank Level System and have a red circuit board on the monitor panel.





DANGER

Danger of electrical shock, burns or death. Always remove all power sources before attempting any repair, service or diagnostic work. Power can be present from shore power, generator, inverter or battery. All power sources must be disabled and secured before performing any service.



CAUTION

If you lack the skills, tools or equipment to perform diagnostic or repair work leave such work to an authorized Winnebago Industries dealer or other qualified shop.

8		7	6	5	4	3	2
		322E	322R	324F	324V	326A	327L
GROUND	8-G	136145-02-015	136145-02-023	136145-02-020	136145-02-016	136145-02-009	136145-02-015
WIRE ASM	110V US	151133-01-000	150432-01-000	145478-01-000	142933-01-000	148687-01-000	151144-01-000
WIRE ASM	110V CA	151133-02-000	150432-02-000	145478-02-000	142933-02-000	148687-02-000	151144-02-000
GENERATOR CABLE ASM	UL	X	X	136137-01-036	136137-01-020	X	X
	CA	X	X	136138-01-036	136138-01-020	X	X

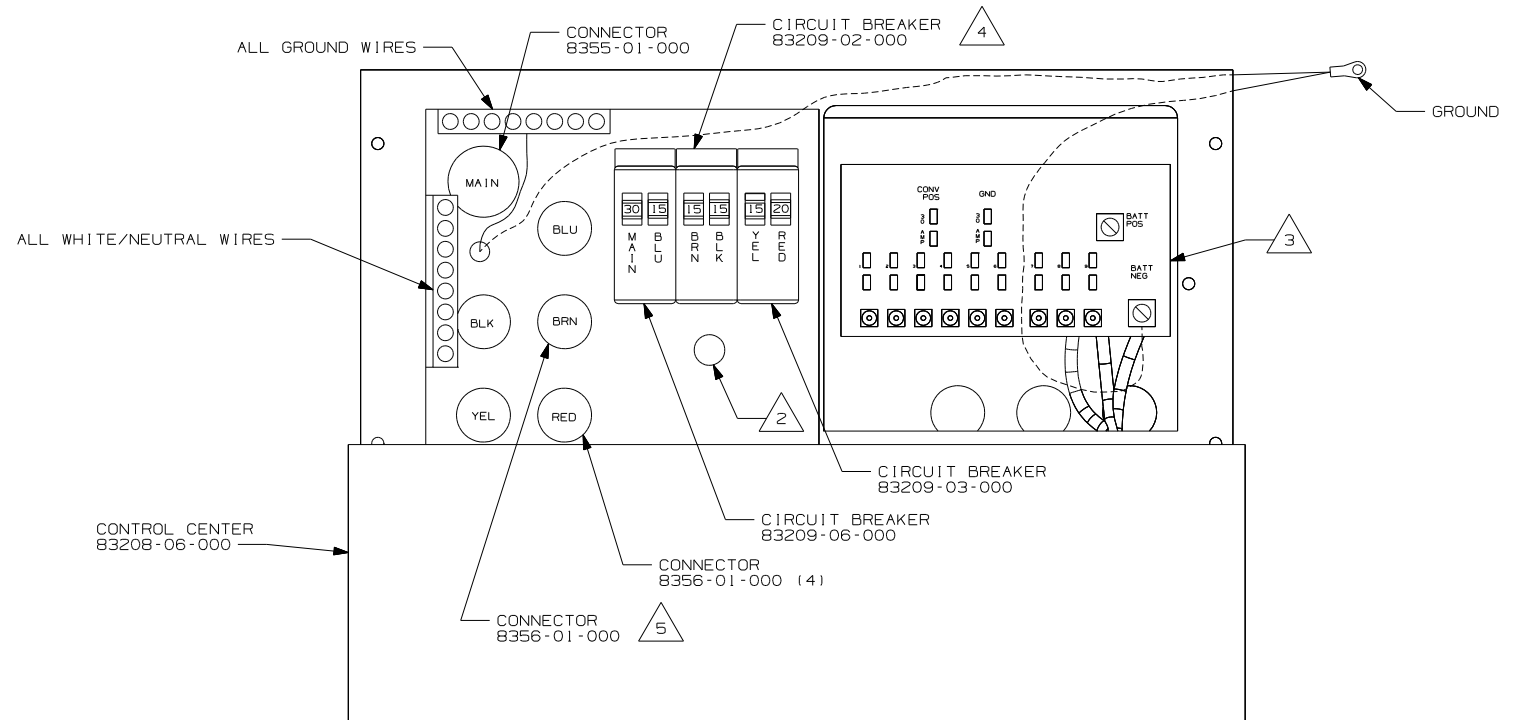
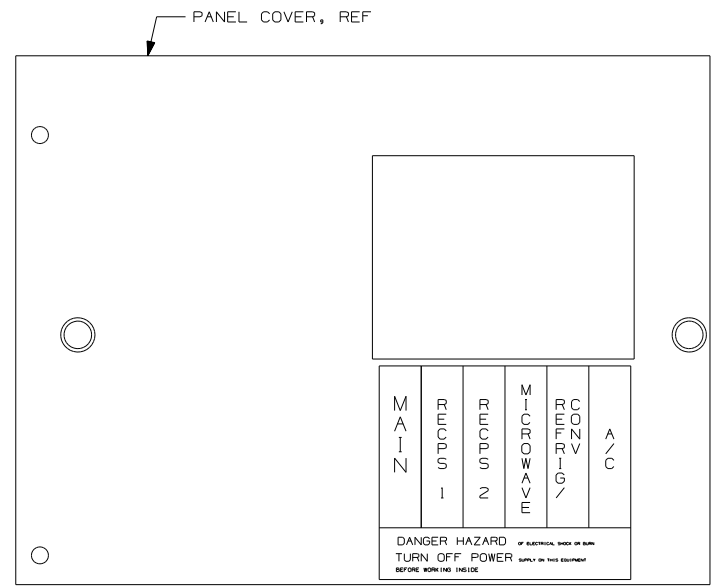
40N 526
40N 526

		329B/329SB	329K	331C/331SC	331T/331ST	332G
GROUND	8-G	136145-02-015	136145-02-012	136145-02-022	136145-02-022	136145-02-012
WIRE ASM	110V US	149036-01-000	150264-01-000	149885-01	149885-01	150076-01-000
WIRE ASM	110V CA	149036-02-000	150264-02-000	149885-02	149885-02	150076-02-000
GENERATOR CABLE ASM	UL	136137-01-025	136137-01-025	X	X	136137-01-042
	CA	136138-01-025	136138-01-025	X	X	136138-01-042
THROW-IN #1	UL	X	X	136131-03-006 \triangle_6	136131-03-006 \triangle_6	X
	CA	X	X	136134-03-006 \triangle_6	136134-03-006 \triangle_6	X
THROW-IN #2	UL	X	X	136131-03-065	136131-03-075	X
	CA	X	X	136134-03-065	136134-03-075	X

40N 526
40N 526

		723D	726A
GROUND	8-G	136145-02-020	136145-02-014
WIRE ASM	110V US	148693-01-000	150014-01-000
WIRE ASM	110V CA	148693-02-000	150014-02-000
GENERATOR CABLE ASM	UL	136137-01-035	136137-01-038
	CA	136138-01-035	136138-01-038
THROW-IN #1	UL	X	136131-03-006
	CA	X	136134-03-006
THROW-IN #2	UL	X	X
	CA	X	X

40N
40N
40B
40B



- 40B INVERTER AC/DC-300 WATT
- 40N GEN-4.0KW-ONANGAS-MICROQUIET
- 526 GEN-3.6KW ONAN LP MICROQUIET
- 265 CODES/STANDARDS-CSA/CMVSS
- 1B1 CODES/STANDARDS USA

1B1 265

WINNEBAGO INDUSTRIES, INC. COPYRIGHT 2004

DFTR	ORIG. DATE
CHKR	ALL DIMENSIONS ARE IN MILLIMETERS
P.E.	
M.E.	FIRST USED
DSNR	05 300/700-SER

UNSPECIFIED TOLERANCES ARE: MATERIAL:

WHOLE DIM (X) :
 ONE-PLACE (X.X) :
 TWO-PLACE (X.XX) :
 ANGLE :

THIRD ANGLE PROJECTION

DO NOT SCALE DRAWING

TITLE: LOAD CENTER/ATS ASM

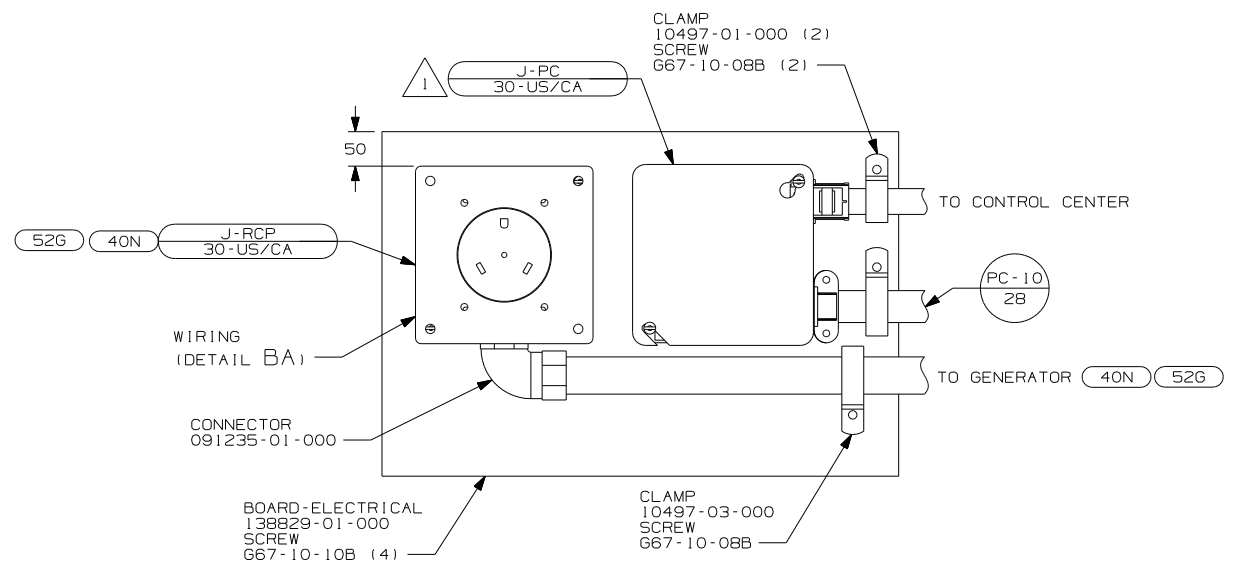
SHEET 1 OF 2 PART NO 148507

- \triangle_5 NOT USED WITH 322R
- \triangle_4 FOR 322R USE CIRCUIT BREAKER 83209-01-000
- \triangle_3 SEE WIRING INSLT-BODY, 12V FOR ADDITIONAL INFORMATION.
- \triangle_2 SECURE WIRES TO BACKSIDE OF LOAD CENTER WITH WIRE TIE 116673-01-000.

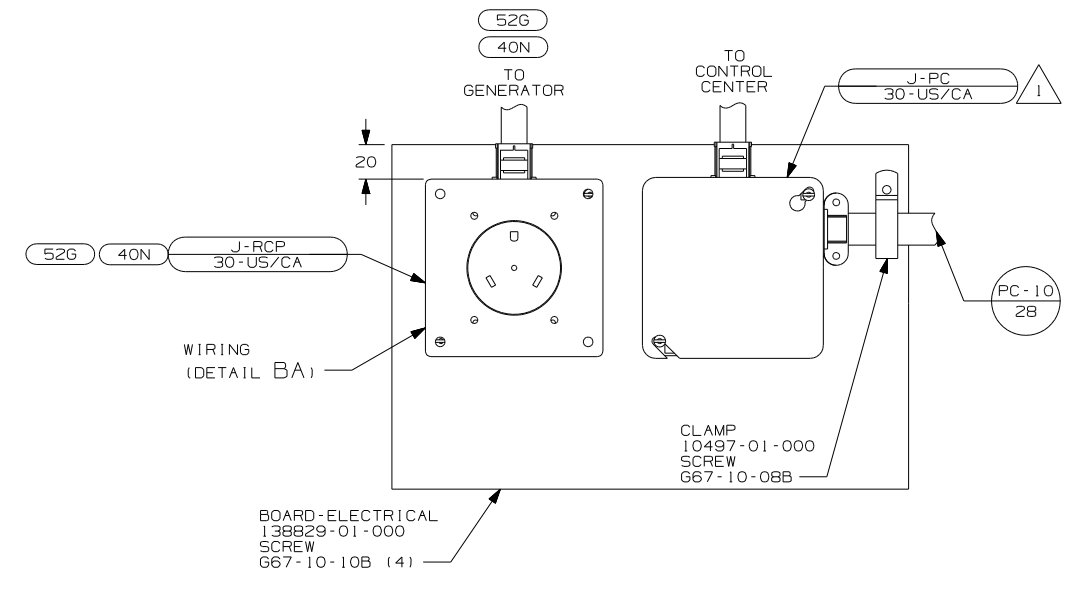
\triangle_6 FOR CONNECTOR INSTALLATION SEE DETAIL BE

1. ALL GROUND WIRES TO BE COVERED WITH TUBING 8041-02-000.

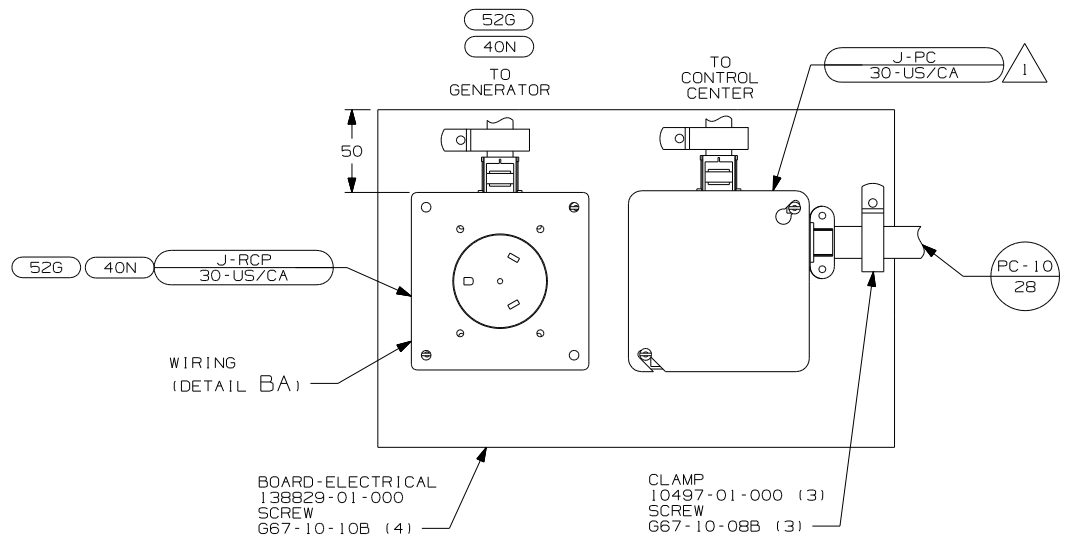
FOR ELECTRICAL CALLOUTS SEE DWG NO. 121339-01-000



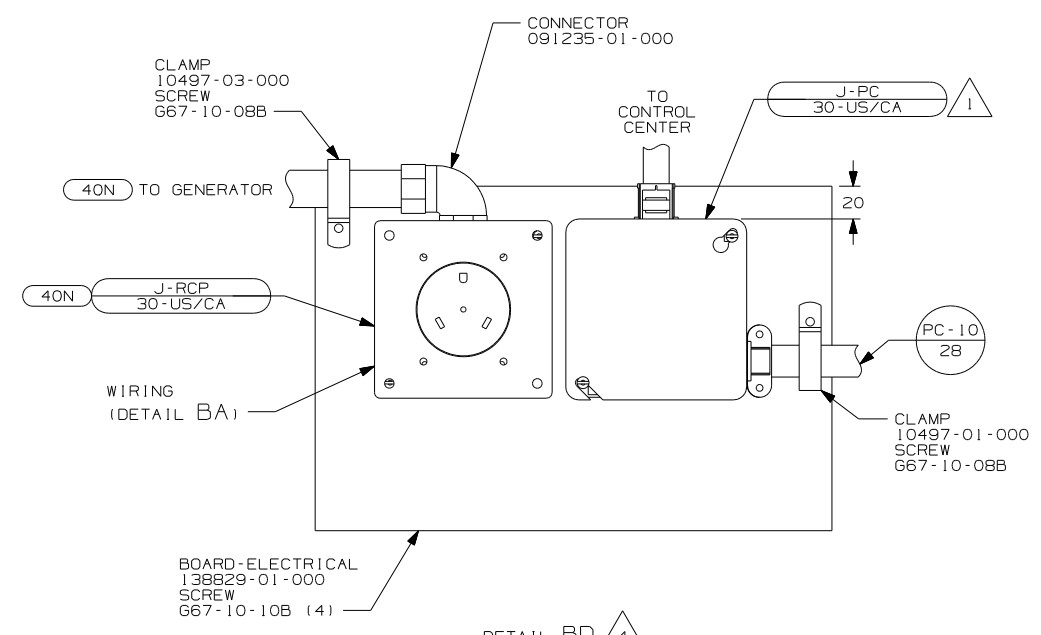
DETAIL BB 2



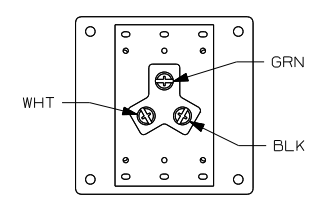
DETAIL BC 3



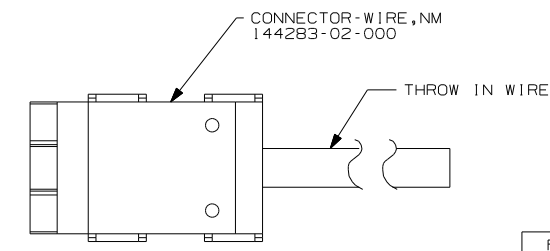
DETAIL BF 5



DETAIL BD 4



DETAIL BA (BACK VIEW)



DETAIL BE

- NOTES:
- 5 USED WITH 723D, 726A.
 - 4 USED WITH 329B, 329K, 329SB.
 - 3 USED WITH 322R, 322E, 324V, 332G.
 - 2 USED WITH 324F, 326A, 331C, 331T, 327L 331SC & 331ST.
 - 1 CONNECT BLK TO BLK, WHT TO WHT, AND GRNDS TO GRNDS.

FOR ELECTRICAL TORQUE SPECIFICATIONS SEE DWG NO. 128783-01-000

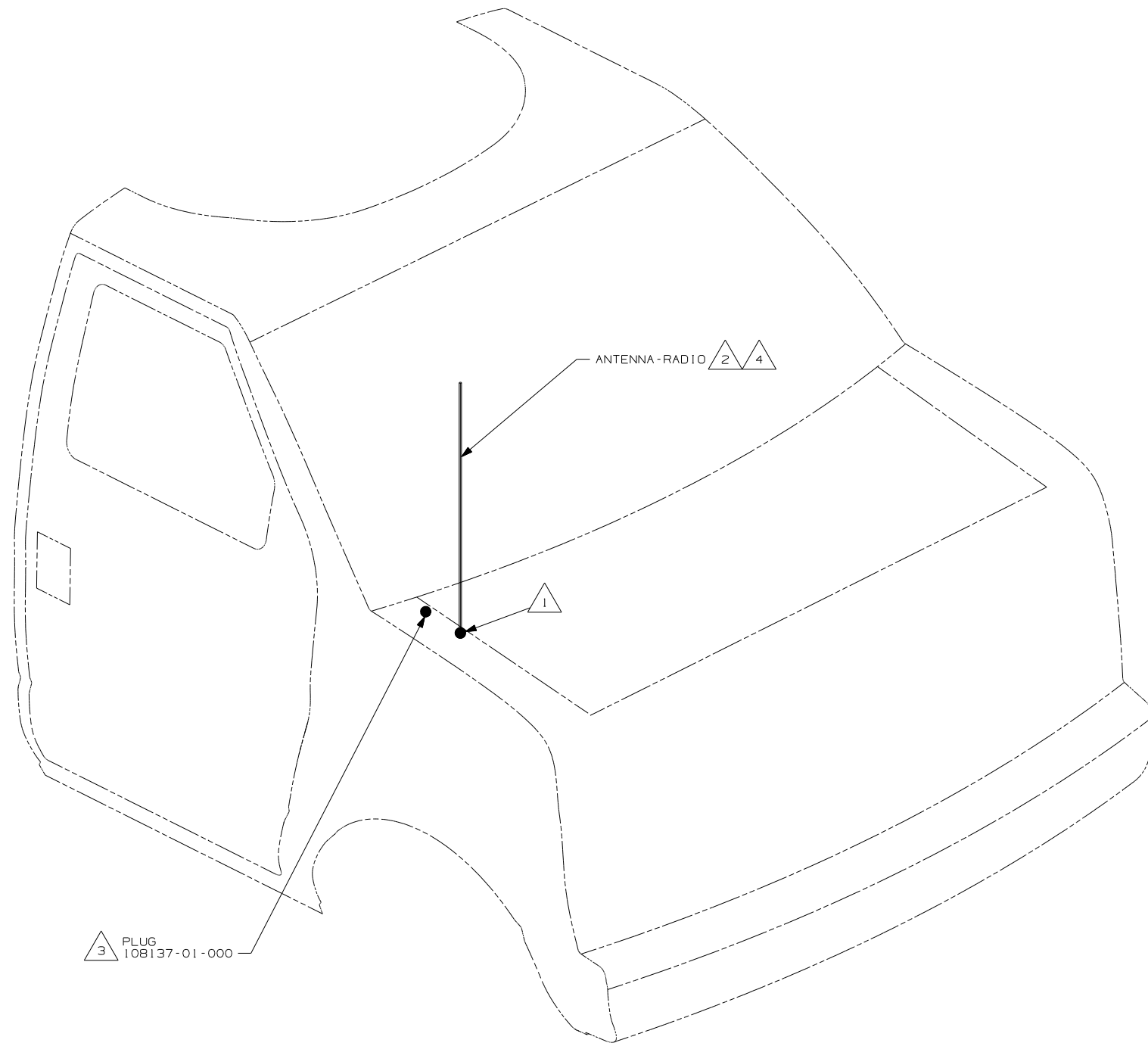
FOR ELECTRICAL CALLOUTS SEE DWG NO. 121339-01-000

- 52G GEN-3.6KW ONAN LP MICROQUIET
- 40N GEN-4.0KW-ONAN-GAS-MICROLITE
- 265 CODES/STANDARDS-CSA/CMVSS
- 1B1 CODES/STANDARDS USA

FIRST USED	
05 300/700-SER	
DO NOT SCALE DRAWING	
TITLE: LOAD CENTER/ATS ASM	
SHEET 2	PART NO 148507

DWG NO	SHEET	SERIES
148539-01	1	300, 400, 700
148539-02	2	D, F, G
148539-03	3	P, S

RELEASE	REV DATE	DWG NO
A		148539
REV ZONE	REVISION RECORD	DATE



- NOTES:
- 4 DO NOT RELOCATE ANTENNA ON 400 AND 700 SERIES UNITS. LEAVE IN FACTORY LOCATION.
 - 3 NOT USED ON 400 AND 700 SERIES.
 - 2 SUPPLIED WITH CHASSIS.
 - 1 SEE FRAME ASM-CHASSIS FOR HOLE LOCATION AND SIZE.

WINNEBAGO COPYRIGHT 2004 WINNEBAGO INDUSTRIES, INC.

D/FR	ORIG. DATE
CHKR	ALL DIMENSIONS ARE IN MILLIMETERS
P.E.	
M.E.	FIRST USED
DSNR	05 MOTORHOMES

UNSPECIFIED TOLERANCES ARE: MATERIAL:

HOLE DIM (X)	:	
ONE-PLACE (X.X)	:	
TWO-PLACE (X.XX)	:	
ANGLE	:	

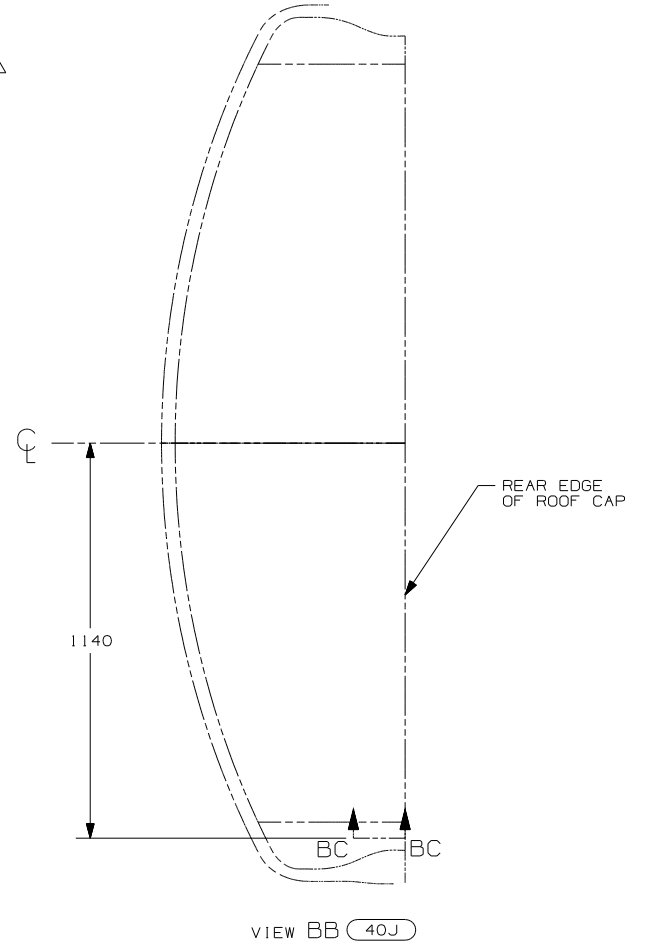
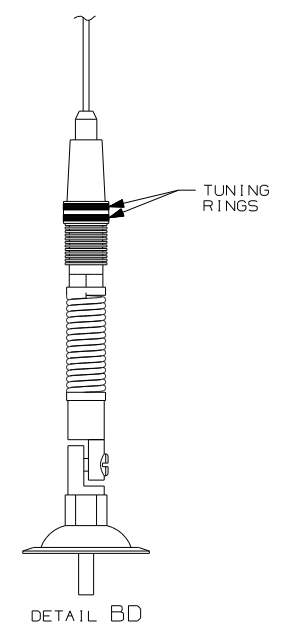
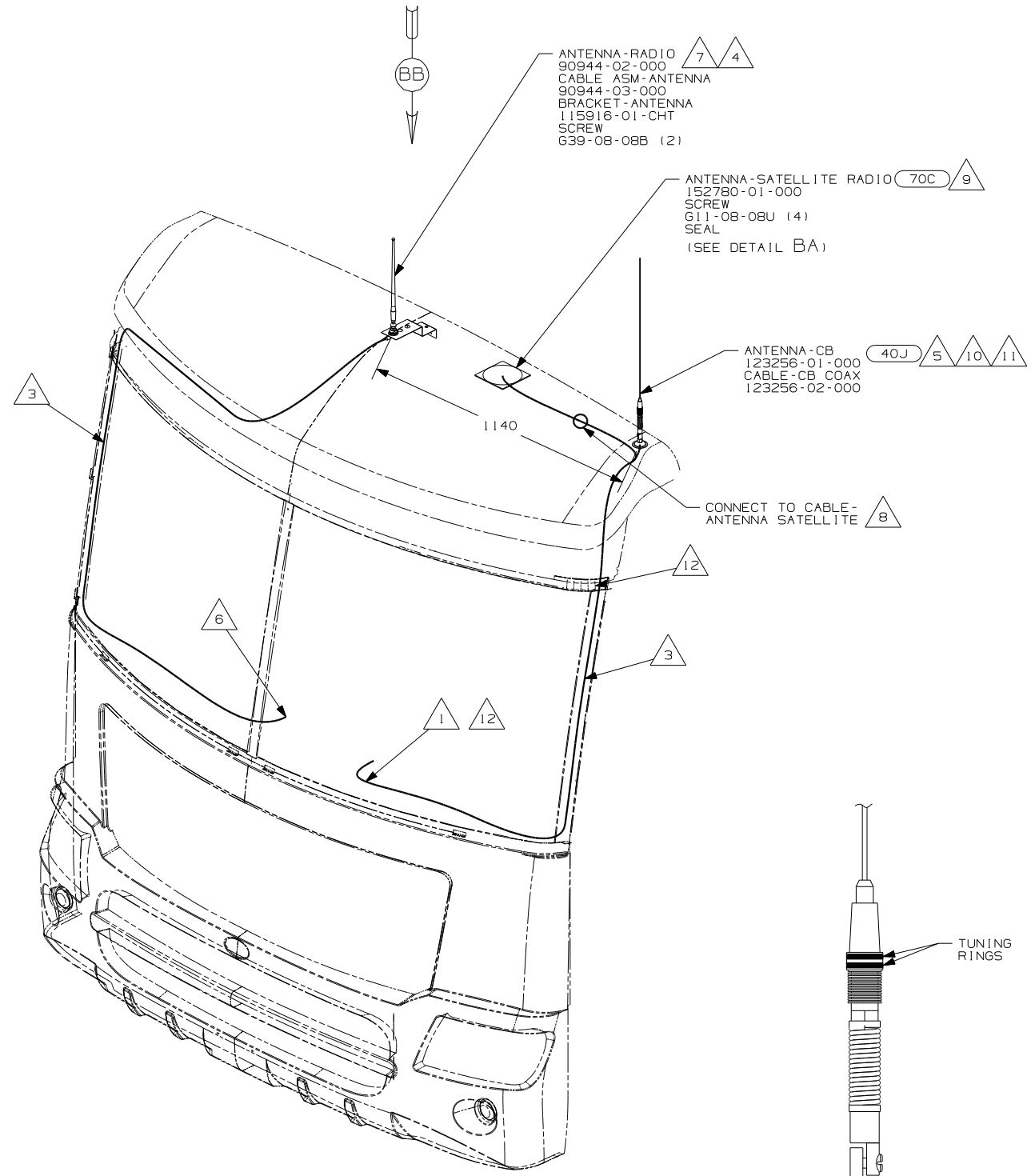
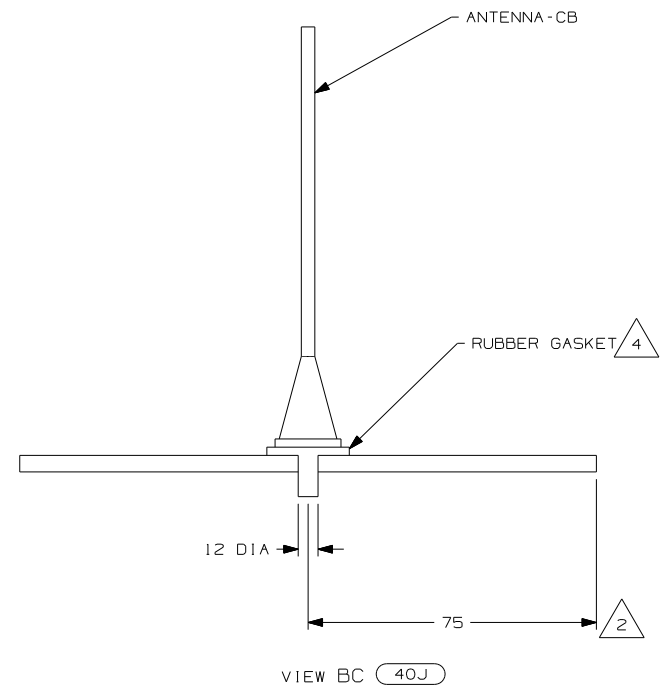
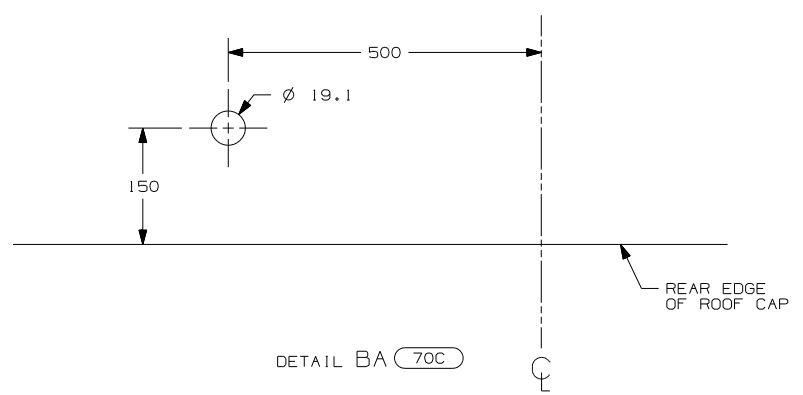
THIRD ANGLE PROJECTION

DO NOT SCALE DRAWING

TITLE: ANTENNA INSTL-RADIO AND CB

SHEET 1 OF 3 PART NO 148539

REF: 10/31/2005



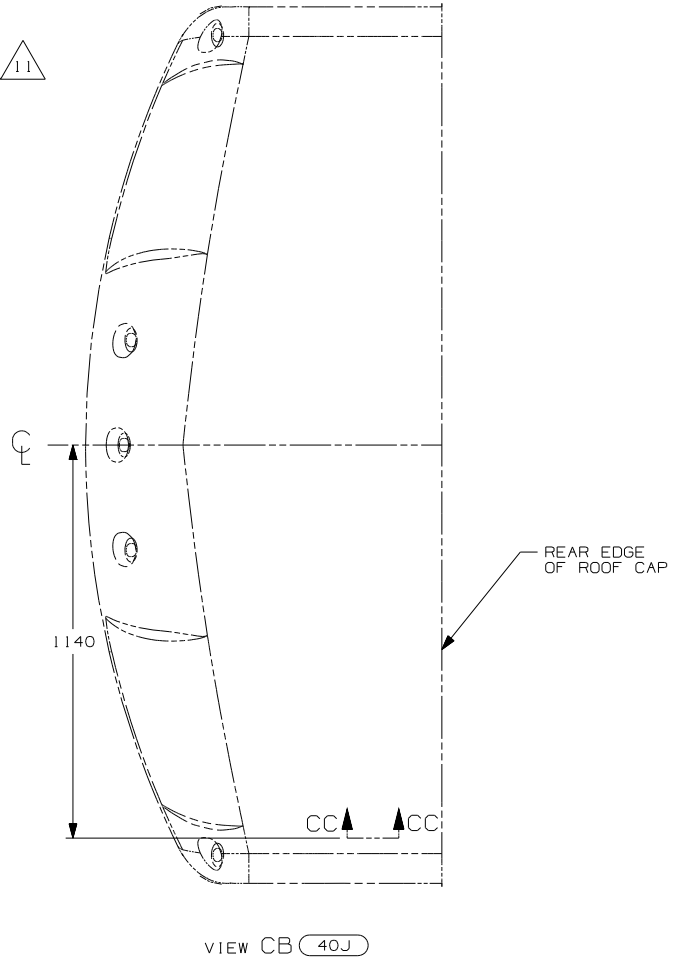
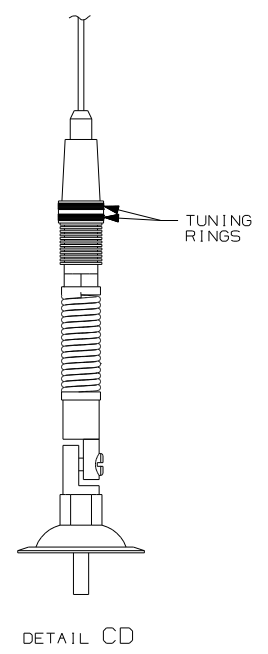
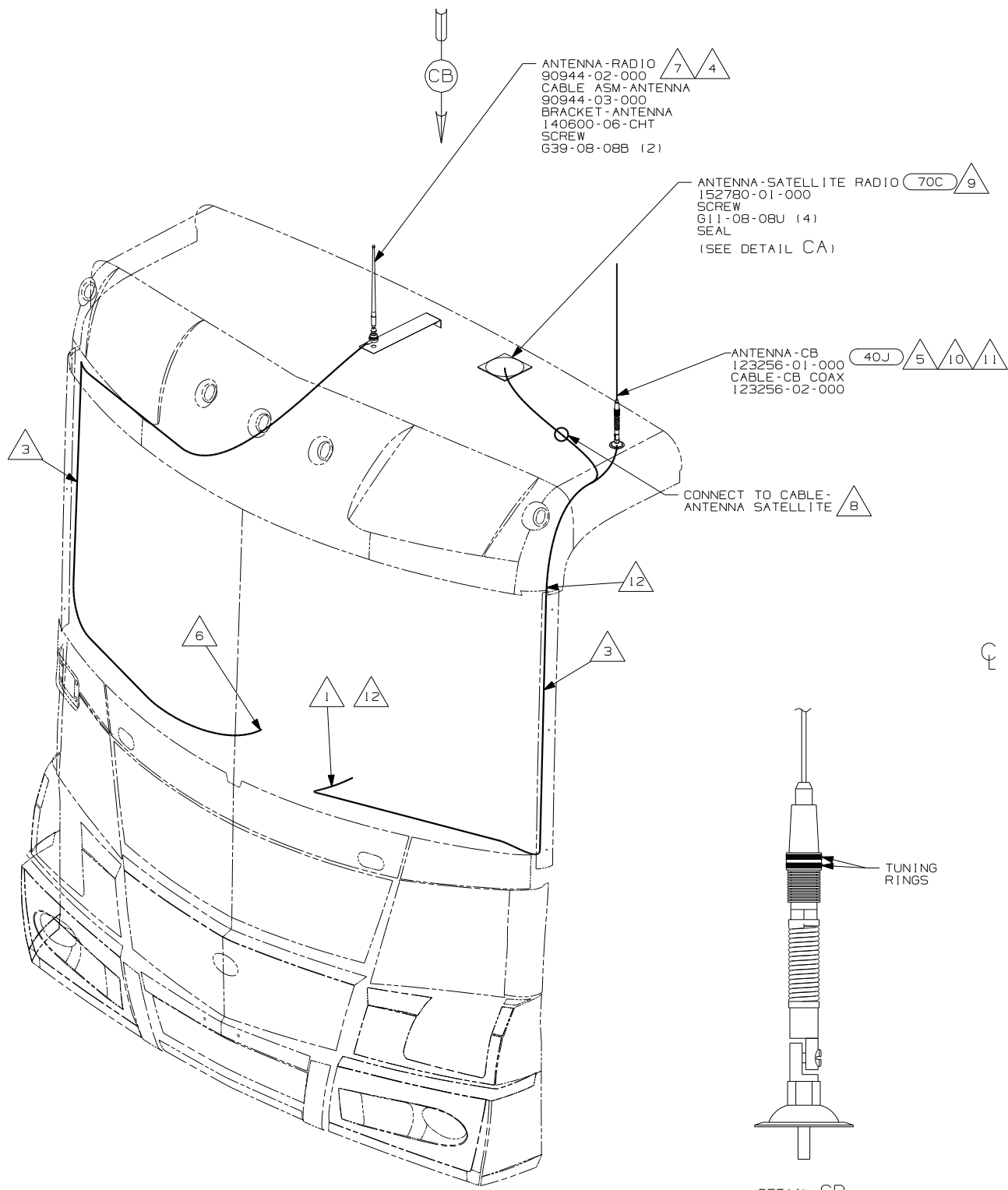
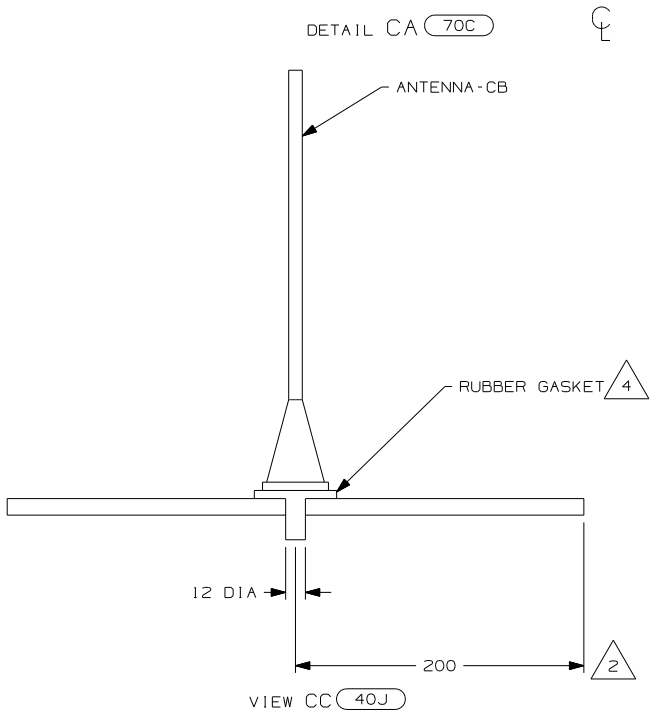
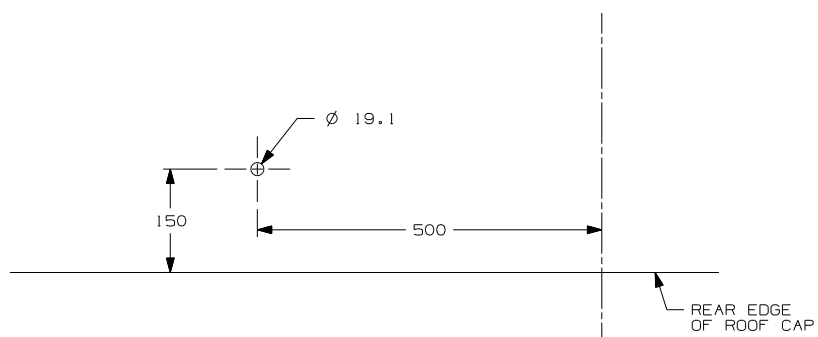
- 11 TUNING RINGS ARE TO BE BOTH ADJUSTED TO THE TOP OF THEIR TRAVEL AND TIGHTENED AGAINST EACH OTHER. DETAIL BD.
- 10 TIGHTEN JOINTS BETWEEN ANTENNA BASE AND ANTENNA PIVOT AND ALSO THE MAST AND ANTENNA PLATE.
- 9 MOUNT ANTENNA SUCH THAT BASE IS SQUARE W/ REAR OF ROOF CAP & HOLE IS DIRECTLY OVER HOLE IN FIBERGLASS. SEAL HOLE IN ROOF CAP, BASE AT SCREWS.
- 8 SEE WIRING INSTL-FRONT END FOR ADDITIONAL INFORMATION.
- 7 USE HOLE IN BRACKET AS GUIDE TO DRILL 13 DIAMETER HOLE IN FIBERGLASS.
- 6 TO RADIO.
- 5 ATTACH ANTENNA-CB GROUND WIRE TO CAB FRAME, USE SCREW G39-08-08B.
- 4 SEAL AROUND ANTENNA BASE.
- 3 ROUTE CABLE ALONG A-POST, UNDER TRIM COVER.
- 2 MEASURED FROM REAR EDGE OF FIBERGLASS CAP.
- 1 SEE WIRING INSTL-FRONT END FOR LOCATION OF COAX END AND LABEL.

12 PROVIDE A 700mm DROP OF CB ANTENNA CABLE FROM THE TOP OF THE A-PILLAR TO CONNECT TO THE ANTENNA AND PLACE THE EXCESS CABLE IN THE CB PREP BAG LOCATED UNDER THE DASH.

NOTES:

70C RADIO - SATELLITE
40J CB RADIO PREP

FIRST USED	
05 MOTORHOMES	
DO NOT SCALE DRAWING	
TITLE: ANTENNA INSTL-RADIO AND CB	
SHEET 2	PART NO 148539

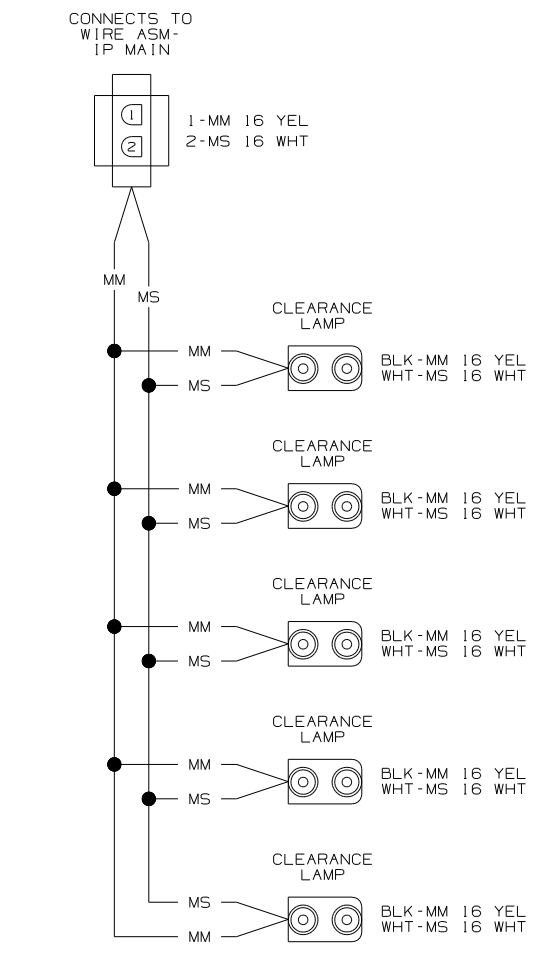


- 11 TUNING RINGS ARE TO BE BOTH ADJUSTED TO THE TOP OF THEIR TRAVEL AND TIGHTENED AGAINST EACH OTHER. DETAIL CD.
- 10 TIGHTEN JOINTS BETWEEN ANTENNA BASE AND ANTENNA PIVOT AND ALSO THE MAST AND ANTENNA PLATE.
- 9 MOUNT ANTENNA SUCH THAT BASE IS SQUARE W/REAR OF ROOF CAP & CENTER HOLE OF ANTENNA DIRECTLY OVER HOLE IN FIBERGLASS. SEAL HOLE, BASE, AND SCREWS.
- 8 SEE WIRING INSTL-FRONT END FOR ADDITIONAL INFORMATION.
- 7 USE HOLE IN BRACKET AS GUIDE TO DRILL 13 DIAMETER HOLE IN FIBERGLASS.
- 6 TO RADIO.
- 5 ATTACH ANTENNA-CB GROUND WIRE TO CAB FRAME, USE SCREW G39-08-08B.
- 4 SEAL AROUND ANTENNA BASE.
- 3 ROUTE CABLE ALONG A-POST, UNDER TRIM COVER.
- 2 MEASURED FROM REAR EDGE OF FIBERGLASS CAP.
- 1 SEE WIRING INSTL-FRONT END FOR LOCATION OF COAX END AND LABEL.

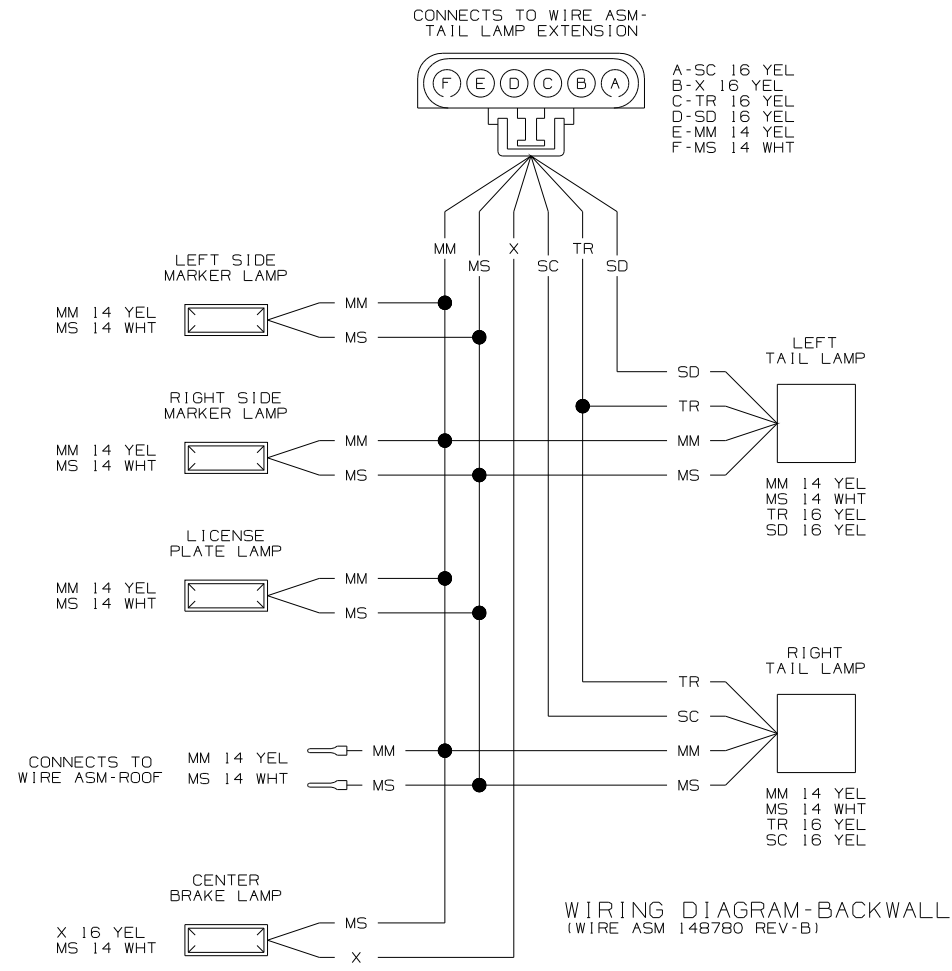
12 PROVIDE A 700mm DROP OF CB ANTENNA CABLE FROM THE TOP OF THE A-PILLAR TO CONNECT TO THE ANTENNA AND PLACE THE EXCESS CABLE IN THE CB PREP BAG LOCATED UNDER THE DASH.

70C RADIO - SATELLITE
40J CB RADIO PREP

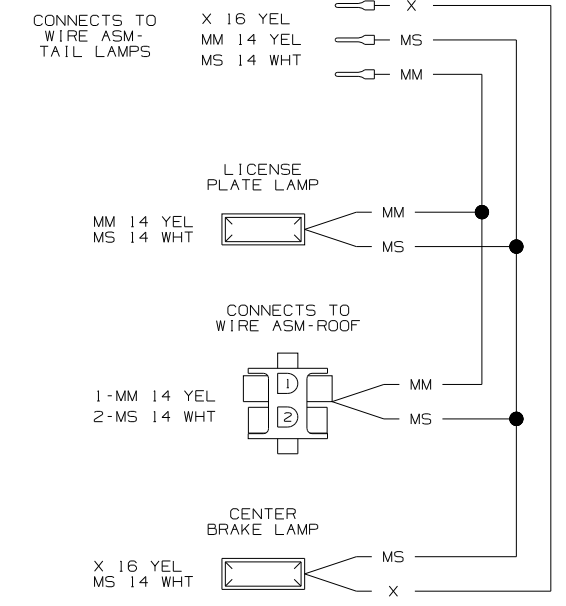
FIRST USED	
05 MOTORHOMES	
DO NOT SCALE DRAWING	
TITLE: ANTENNA INSTL-RADIO AND CB	
SHEET 3	PART NO 148539



WIRING DIAGRAM-CLEARANCE LAMPS
(126486-04 REV-F)

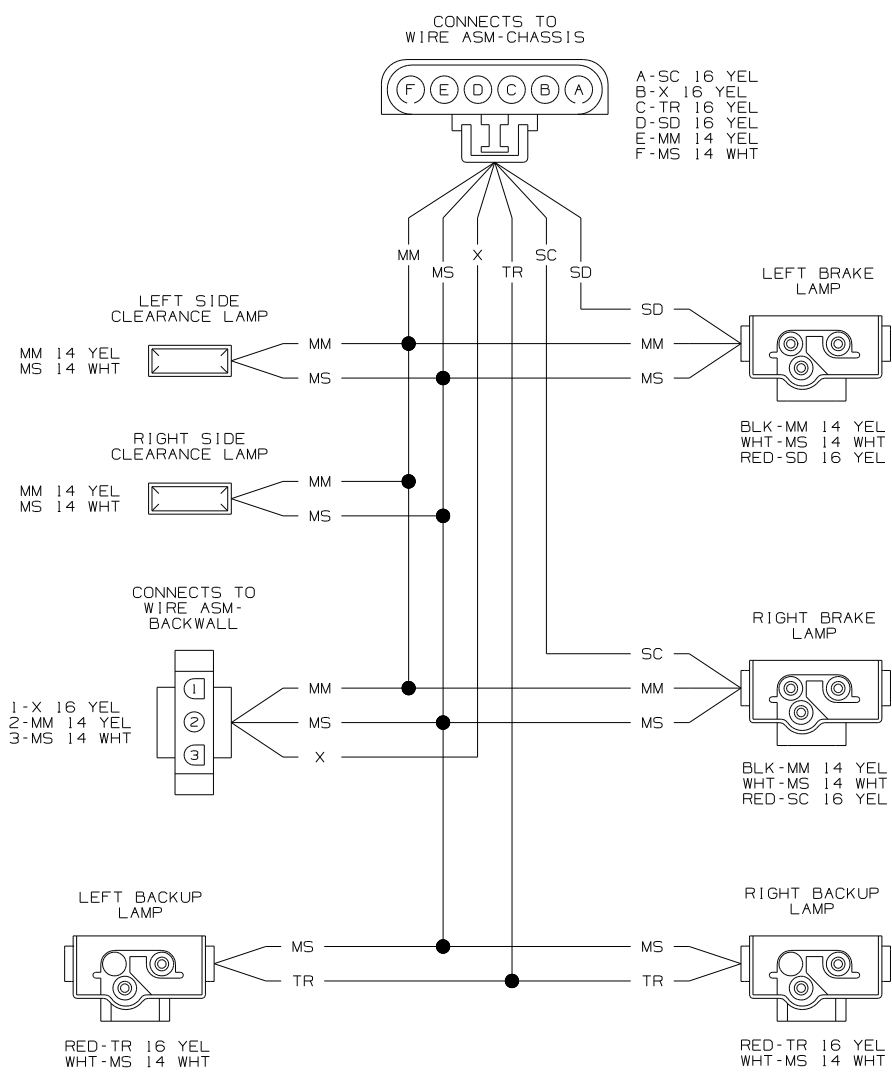


WIRING DIAGRAM-BACKWALL
(WIRE ASM 148780 REV-B)

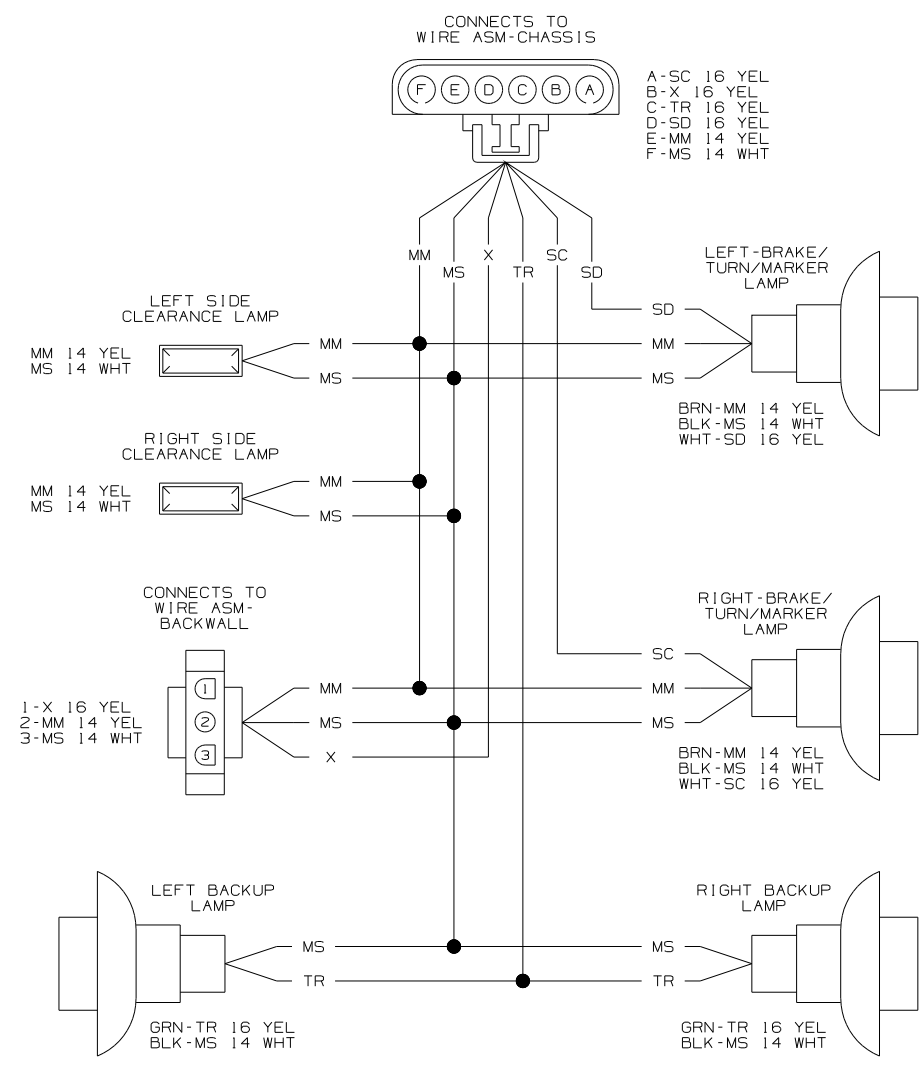


WIRING DIAGRAM-BACKWALL
(WIRE ASM 141557 REV-C)

WINNEBAGO		COPYRIGHT 2004 WINNEBAGO INDUSTRIES, INC.	
DFTR	ORIG. DATE	ALL DIMENSIONS ARE IN MILLIMETERS	
CHKR		FIRST USED	
P.E.		05 300/400	
M.E.		UNSPECIFIED TOLERANCES ARE:	
DSNR		MATERIAL:	
		WHOLE DIM (X)	:
		ONE-PLACE (X.X)	:
		TWO-PLACE (X.XX)	:
		ANGLE	:
		THIRD ANGLE PROJECTION	⊕
DO NOT SCALE DRAWING			
TITLE: WIRING DIAGRAM-AUTO LAMPS			
SHEET 1 OF 2	PART NO	148505	
REF: 145092 1 04/22/2004			



WIRING DIAGRAM-TAILLAMPS
(WIRE ASM 141556-02 REV-E)

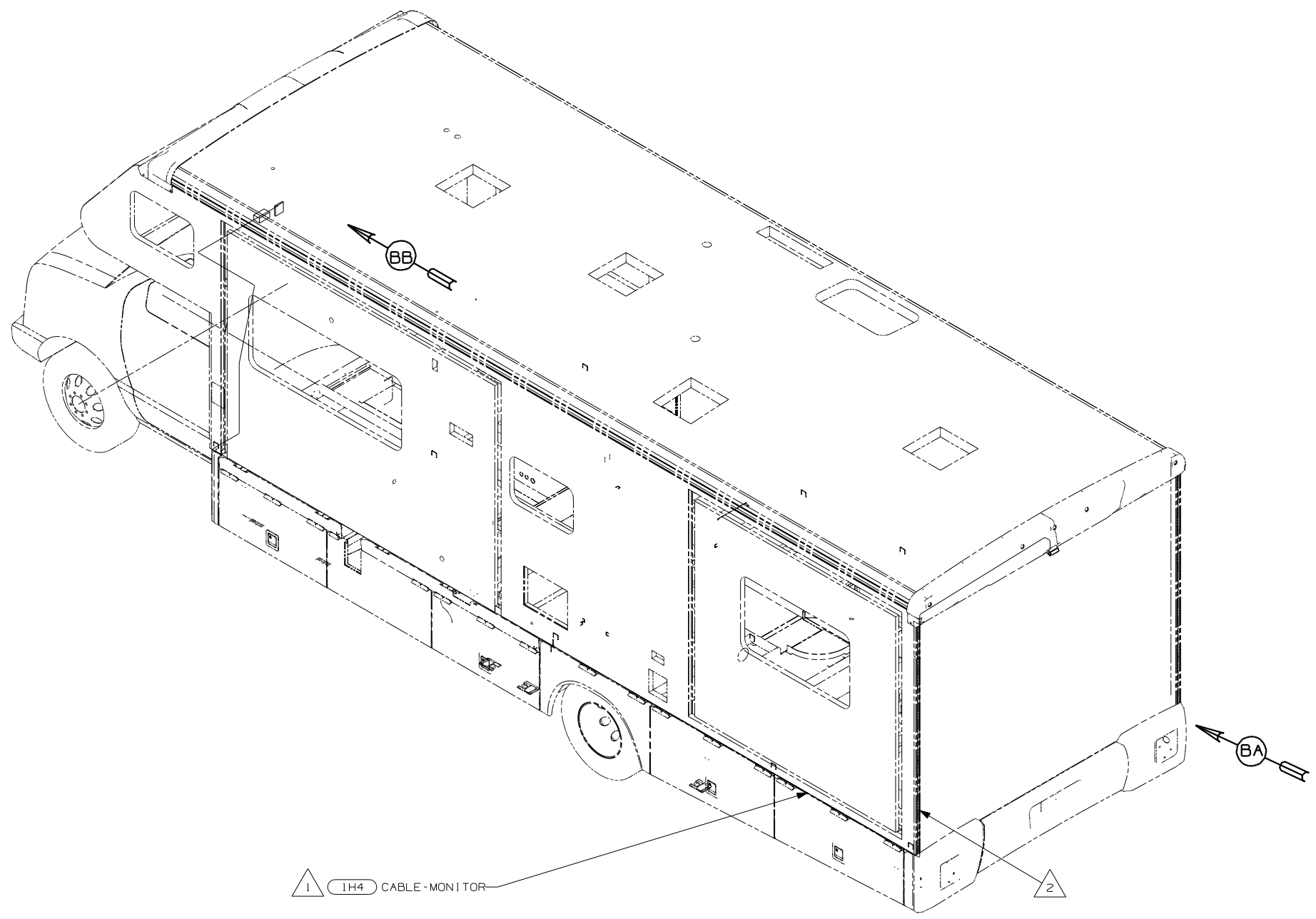


WIRING DIAGRAM-TAILLAMPS
(WIRE ASM 141556-01 REV-E)

FIRST USED	05 300/400
DO NOT SCALE DRAWING	
TITLE:	WIRING DIAGRAM-AUTO LAMPS
SHEET 2	PART NO 148505

DRAWING NO.	MODEL
148545-01	400 SERIES
148545-02	300 & 700 SERIES

RELEASE	REV DATE	DWG NO	148545
REV ZONE	REVISION RECORD	DATE	DFTR-ORIG

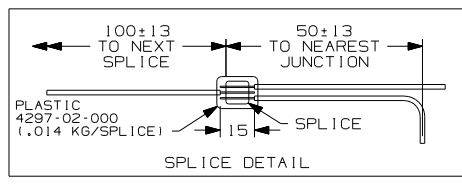


- 74A RR MONITOR SYS-SUNVISOR MNTR
- 74J REARVIEW MONITOR SYSTEM
- I H4 REARVIEW MONITOR-WIRE PREP

2 WIRE ROUTED IN RECESSED AREA BETWEEN SIDEWALL AND BACKWALL.

1 REAR MONITOR CAMERA CABLE IS PART OF WIRE ASSEMBLY CHASSIS AND RUNS ALONG LEFT FRAME RAIL.

NOTES:



FOR ELECTRICAL CALLOUTS SEE DWG NO. 121339-01-000

WINNEBAGO COPYRIGHT 2004 WINNEBAGO INDUSTRIES, INC.

DFTR	ORIG. DATE
CHKR	ALL DIMENSIONS ARE IN MILLIMETERS
P.E.	
M.E.	FIRST USED
DSNR	05 C-BODIES

UNSPECIFIED TOLERANCES ARE: MATERIAL:

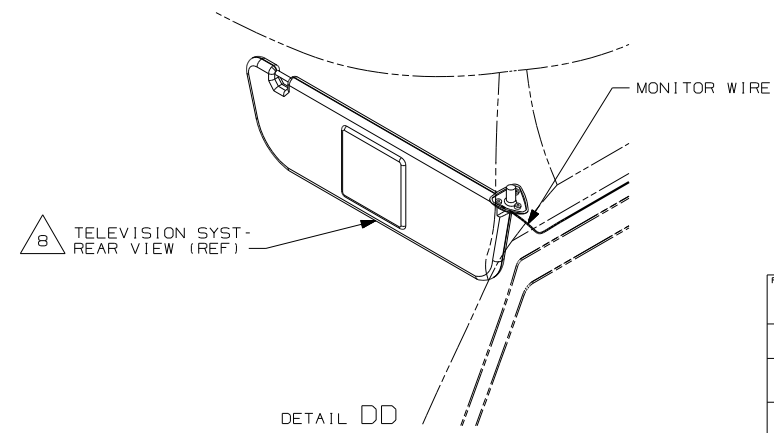
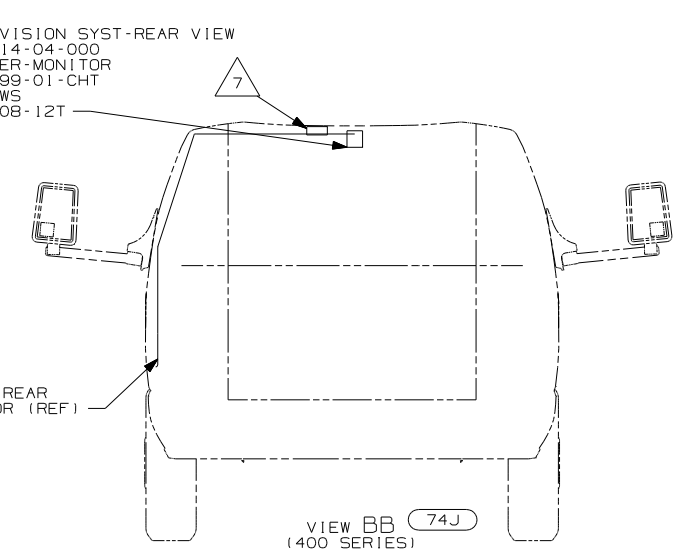
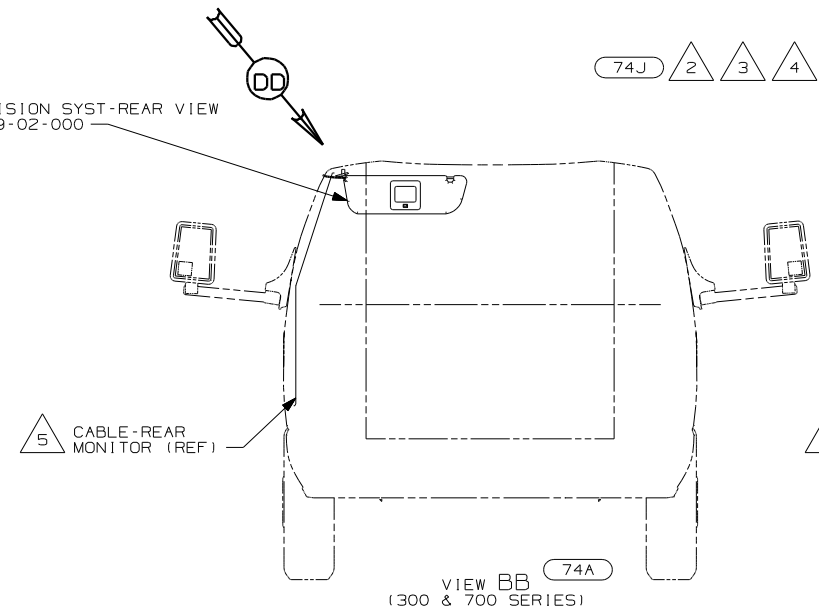
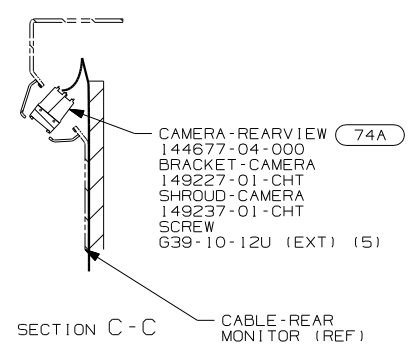
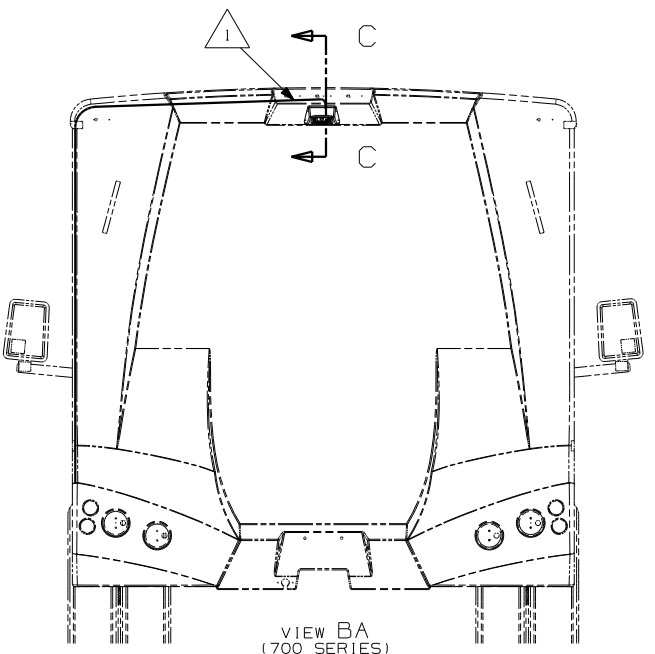
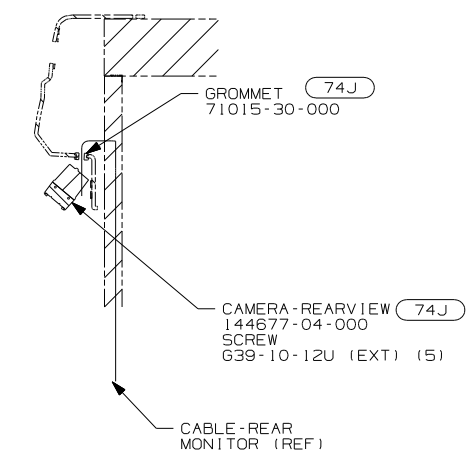
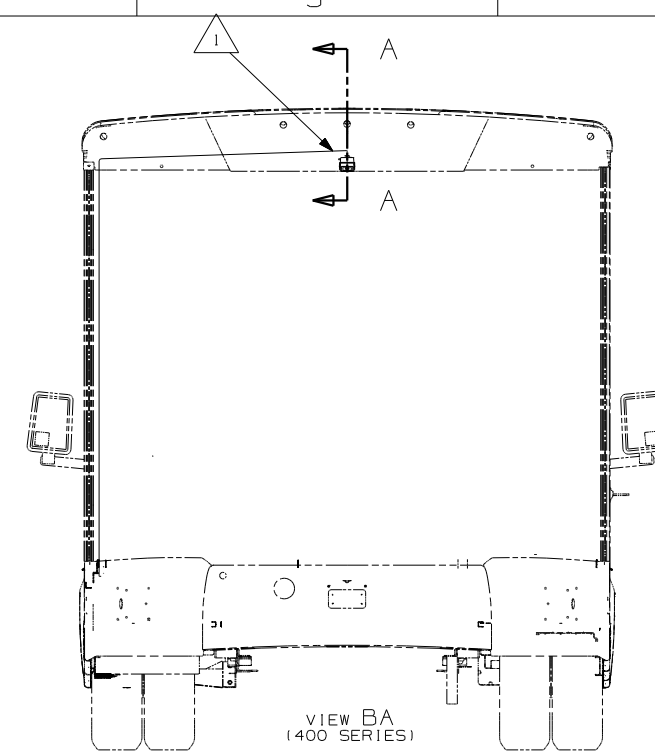
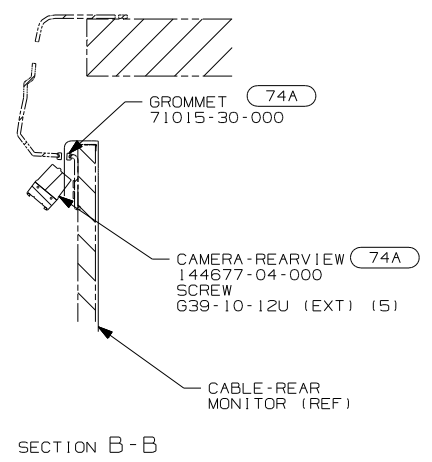
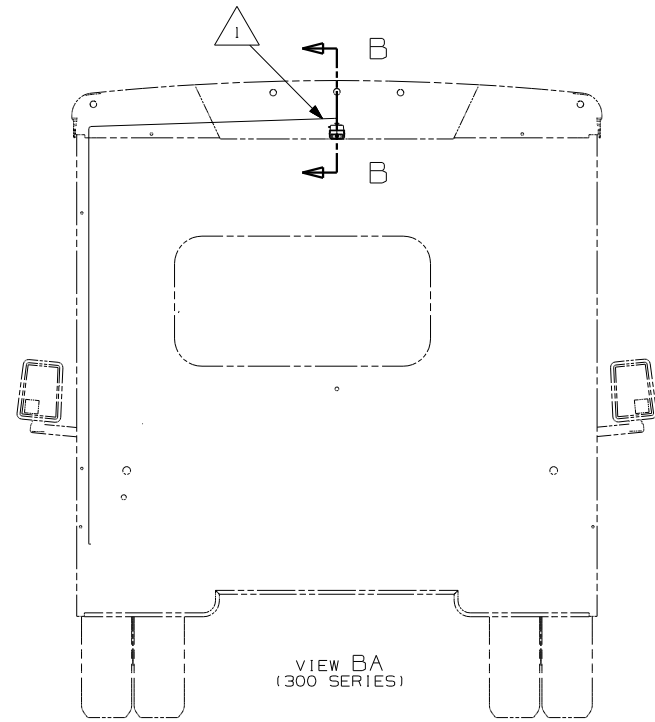
WHOLE DIM (X)	
ONE-PLACE (X.X)	1
TWO-PLACE (X.XX)	
ANGLE	
THIRD ANGLE PROJECTION	

DO NOT SCALE DRAWING

TITLE: MONITOR INSTL.

SHEET 1 OF 2 PART NO 148545

REF: 144978-C | 9/2/2004

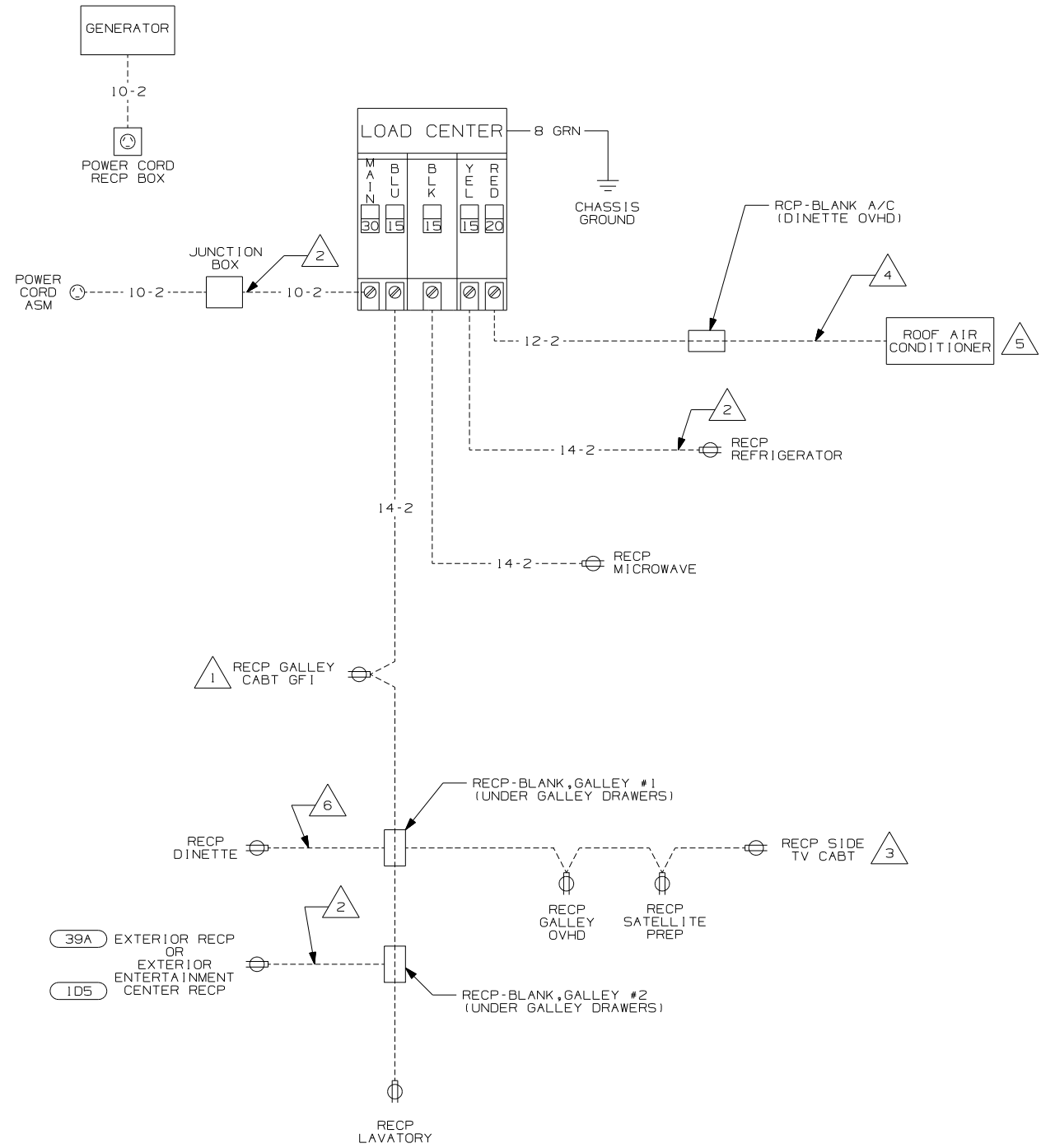


- NOTES:
- 4 MONITOR BRACKET MOUNTING SCREWS TO BE SCREWED INTO FORD INNER WINDSHIELD HEADER AS FAR TO THE PASSENGER SIDE AS ALLOWED BY THE HOLE IN THE HEADER TRIM PANEL.
 - 3 PLUG 3 PIN POWER HARNESS AND REAR MONITOR CABLE INTO REAR MONITOR ASSEMBLY.
 - 2 CUT VINYL PAD AND FOLD MATERIAL BACK INTO OPENING FOR REAR MONITOR MOUNTING PLATE.
 - 1 END CABLE IN THIS AREA ON UNITS WITHOUT MONITOR W/ 1H4.

- 9 SEND REMOVED FORD SUNVISOR TO WAREHOUSE UNDER PART NUMBER 150079-03-000.
- 8 REMOVE FORD SUNVISOR AND MOUNT THE REAR MONITOR REUSING THE FORD SUPPLIED SCREWS. ROUTE THE MONITOR WIRE UNDER THE VINYL PAD AND A-PILLAR COVER.
- 7 MOUNT ADAPTER BOX BEHIND TRIM PANEL WITH FASTENER-DUAL LOCK 85774-01-000 (100mm) & 85774-02-000 (100mm).
- 6 CONNECT REAR MONITOR CABLE TO A/VI WIRE IN ADAPTER BOX.
- 5 REAR MONITOR CABLE IS PART OF THE WIRE ASSEMBLY CHASSIS AND IS TO END BETWEEN SUNVISORS.

- 74A RR MONITOR SYS-SUNVISOR MNTR
- 74J REARVIEW MONITOR SYSTEM
- 1H4 REARVIEW MONITOR-WIRE PREP

FIRST USED	05 C-BODIES	
TITLE	DO NOT SCALE DRAWING	
SHEET 2	PART NO	148545



- (39A) EXT RECEPTACLE DPLX 120VAC
 - (1D5) ENTERTAINMENT CENTR/EXT W/CD
 - (1JR) TV-13" W/DVD-12V
 - (12D) ELECTRICAL SYSTEM 30 AMP
 - (265) CODES/STANDARDS-CSA/CMVSS
 - (1B1) CODES/STANDARDS-USA
- (1B1) (265) (12D)

WINNEBAGO COPYRIGHT 2004 WINNEBAGO INDUSTRIES, INC.

DFTR	ORIG. DATE
CHKR	ALL DIMENSIONS ARE IN MILLIMETERS
P.E.	
M.E.	FIRST USED
DSNR	05 322R

UNSPECIFIED TOLERANCES ARE: MATERIAL:

HOLE DIM (X)	:	.
ONE-PLACE (X.X)	:	.
TWO-PLACE (X.XX)	:	.
ANGLE	:	.

THIRD ANGLE PROJECTION

DO NOT SCALE DRAWING

TITLE: WIRING DIAGRAM-BODY, 110V

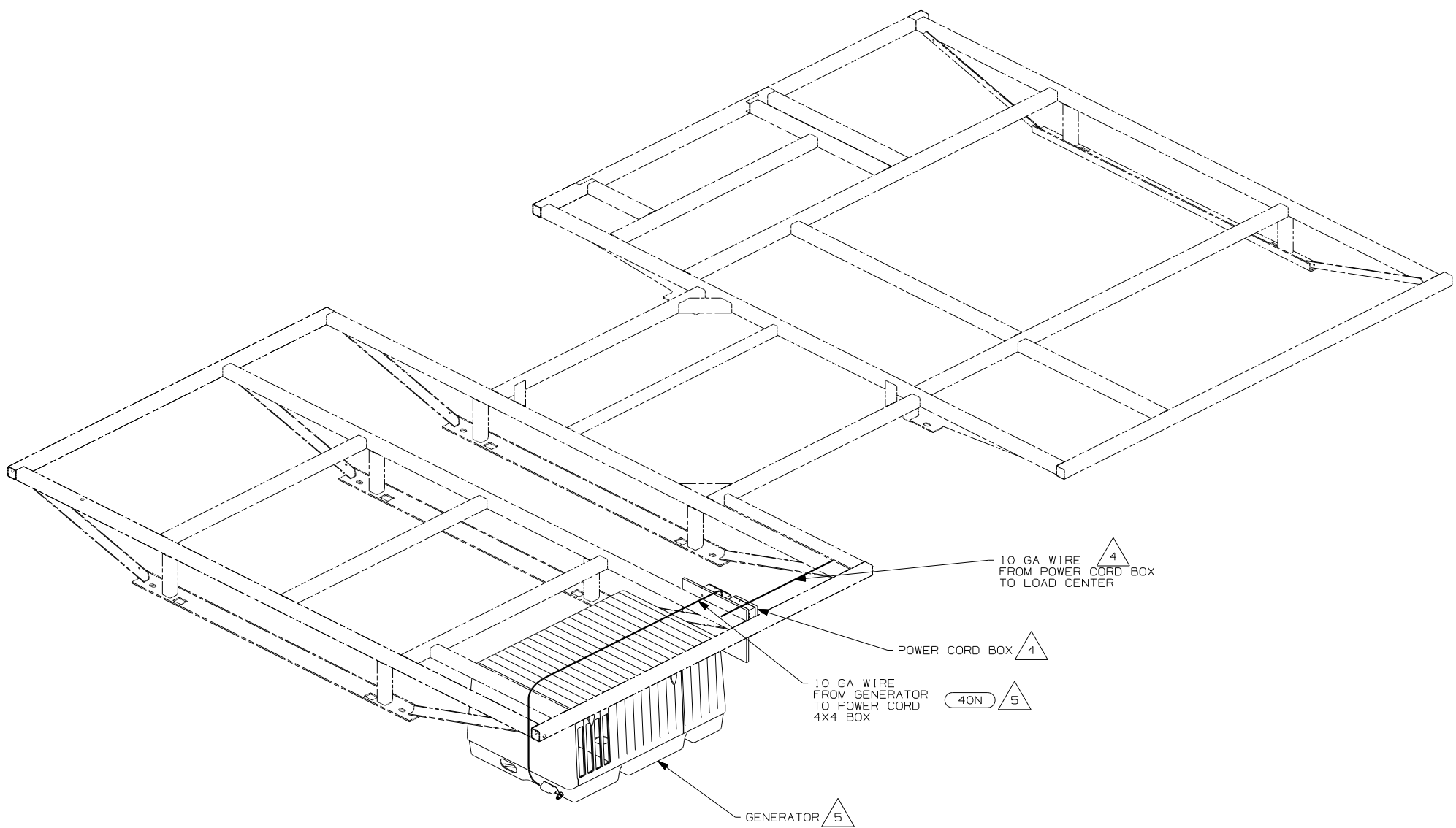
SHEET 1 OF 1 PART NO 150409

REF: 146699 1 04/21/2004

- NOTES:
- 6 WIRE ROUTED IN SIDEWALL.
 - 5 SEE MANUFACTURERS DIAGRAM.
 - 4 WIRE ROUTED THRU ROOF.
 - 3 NOT USED WITH (1JR)
 - 2 WIRE ROUTED THRU FLOOR.
 - 1 ALL OUTLETS DOWN STREAM AND INCLUDING THIS OUTLET ARE GROUND FAULT CIRCUIT INTERRUPT PROTECTED.

DRAWING NO.	FEATURE
150404-01	-----
150404-11	(1B1) (12D)
150404-15	(265) (12D)

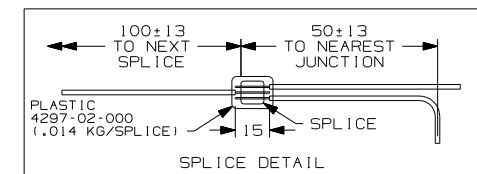
RELEASE	REV DATE	DWG NO	150404
REV ZONE	REVISION RECORD	DATE	DFTR-ORIG



- 5 SEE GENERATOR INSTL FOR ADDITIONAL INFORMATION.
4. FOR MORE INFORMATION SEE LOAD CENTER ASM.
3. ALL GROUND WIRE TO BE COVERED WITH TUBING 8041-02-000.
2. ALL 110V WIRE TO BE CLAMPED WITH CLAMP 10497-05-000 WITHIN 200MM OF OUTLET BOXES, USE SCREW G67-10-12B.
1. ALL WIRES TO BE SECURED WITH CLAMP 10495-01-000 OR CLIP 80734-01-000 EVERY 600MM. USE SCREW G67-10-12B UNLESS OTHERWISE SPECIFIED.

FOR ELECTRICAL TORQUE SPECIFICATIONS SEE DWG NO. 128783-01-000

FOR ELECTRICAL CALLOUTS SEE DWG NO. 121339-01-000



- (40N) GEN-4.0KW-ONANGAS-MICROQUIET
- (265) CODES/STANDARDS-CSA/CMVSS
- (12D) ELECTRICAL SYSTEM 30 AMP
- (1B1) CODES/STANDARDS USA

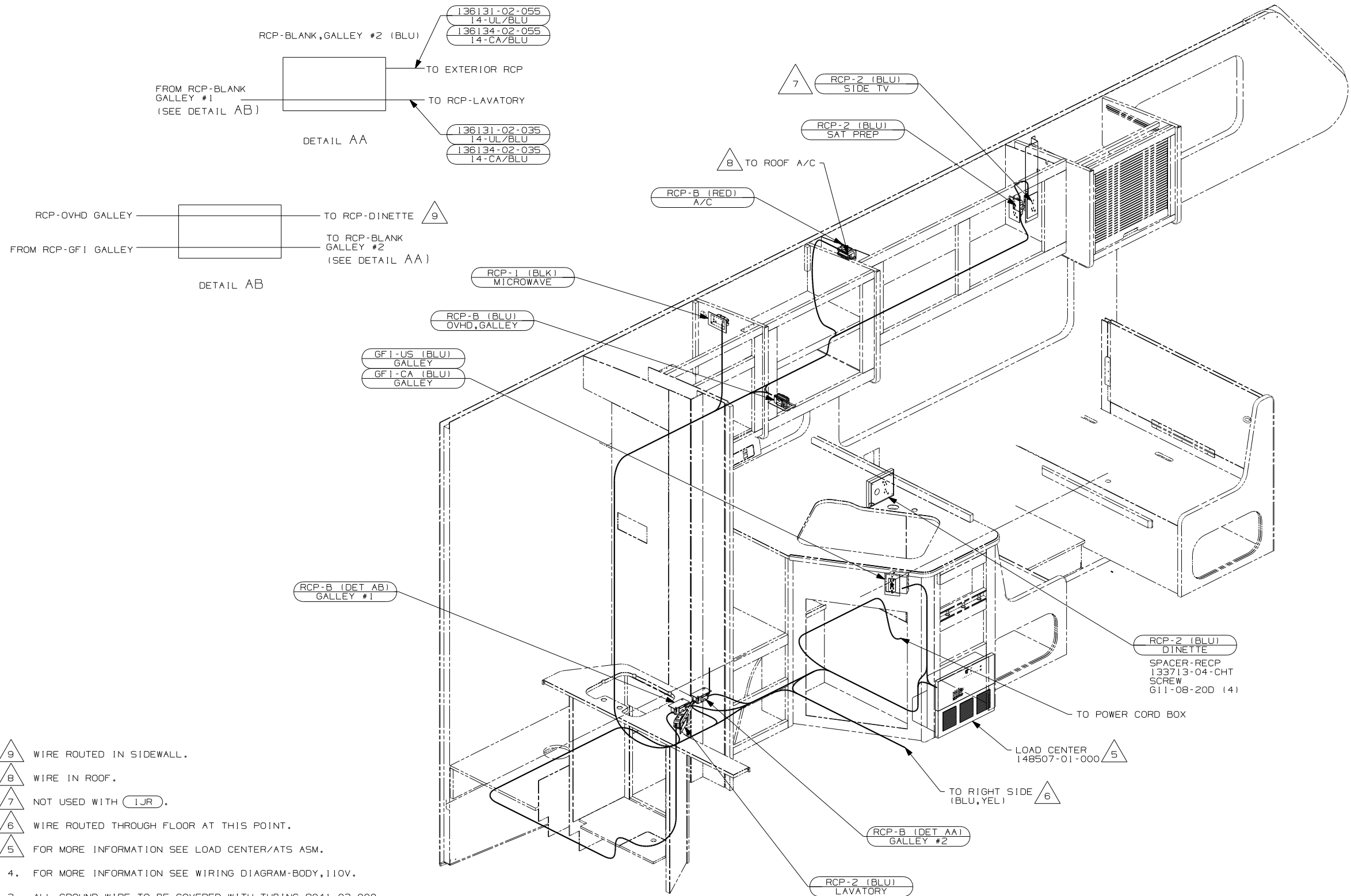


DFTR	ORIG. DATE
CHKR	ALL DIMENSIONS ARE IN MILLIMETERS
P.E.	
M.E.	FIRST USED
DSNR	05 322R
UNSPECIFIED TOLERANCES ARE:	MATERIAL:
WHOLE DIM (X)	:
ONE-PLACE (X.X)	:
TWO-PLACE (X.XX)	:
ANGLE	:
THIRD ANGLE PROJECTION	

DO NOT SCALE DRAWING

TITLE: WIRING INSTL.-BODY, 110V

SHEET 1 OF 3 PART NO 150404

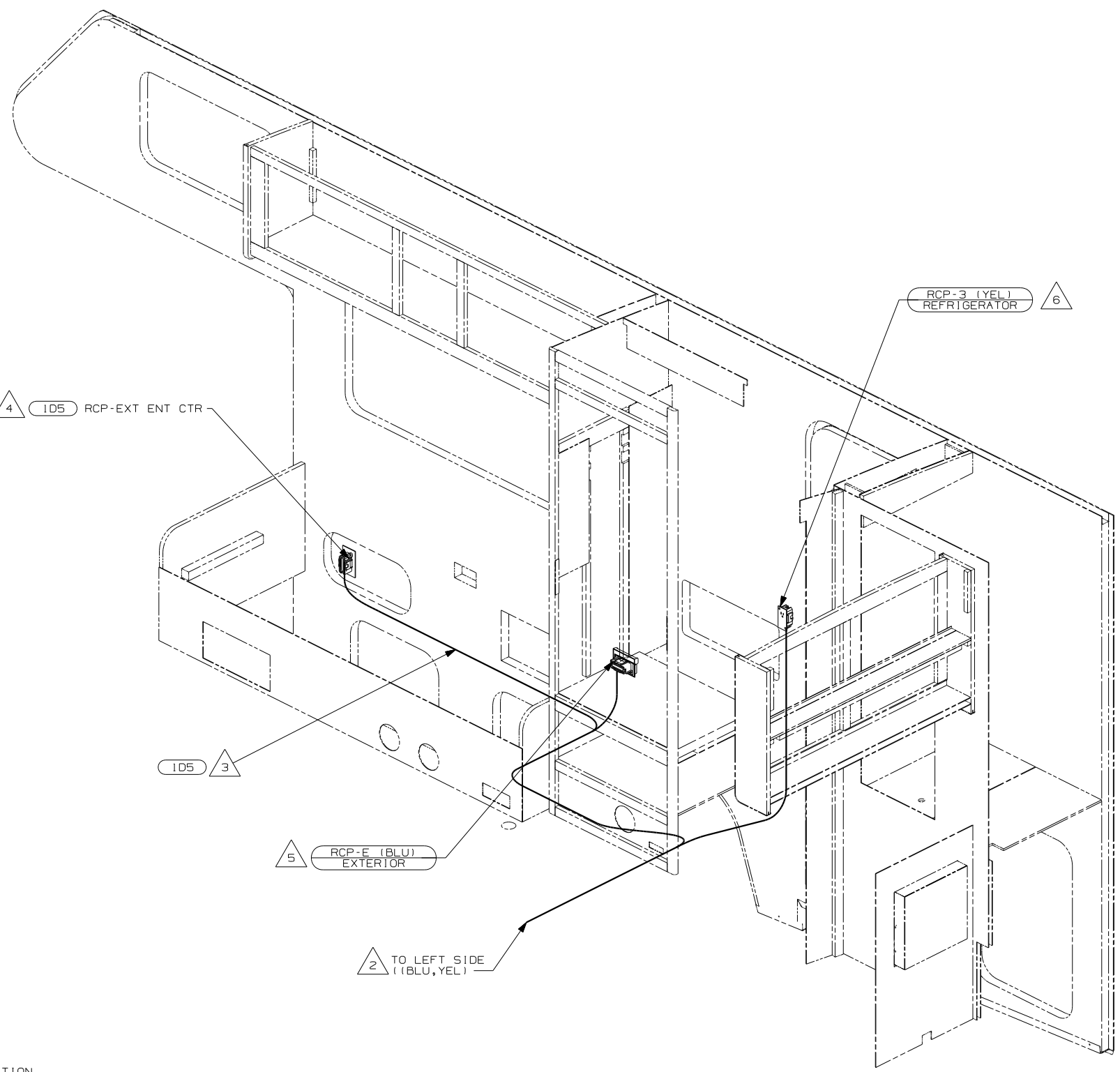


- 9 WIRE ROUTED IN SIDEWALL.
- 8 WIRE IN ROOF.
- 7 NOT USED WITH (1JR).
- 6 WIRE ROUTED THROUGH FLOOR AT THIS POINT.
- 5 FOR MORE INFORMATION SEE LOAD CENTER/ATS ASM.
- 4. FOR MORE INFORMATION SEE WIRING DIAGRAM-BODY,110V.
- 3. ALL GROUND WIRE TO BE COVERED WITH TUBING 8041-02-000.
- 2. ALL 110V WIRE TO BE CLAMPED WITH CLAMP 10497-05-000 WITHIN 200MM OF OUTLET BOXES, USE SCREW G67-10-12B.
- 1. ALL WIRES TO BE SECURED WITH CLAMP 10495-01-000 OR CLIP 80734-01-000 EVERY 600MM. USE SCREW G67-10-12B UNLESS OTHERWISE SPECIFIED.

NOTES:

- (265) CODES/STANDARDS-CSA/CMVSS
- (1D5) ENTERTAINMENT CENTR/EXT W/CD
- (1JR) TV-13" W/DVD-12V
- (1B1) CODES/STANDARDS USA

FIRST USED	05 322R
TITLE	DO NOT SCALE DRAWING
WIRING INSTL.-BODY,110V	
SHEET 2	PART NO 150404



- △ 6 LOCATE RCP ON REFRIGERATOR TIEDOWN BRACKET.
- △ 5 NOT USED WITH (ID5).
- △ 4. SEE ENTERTAINMENT CENTER-COMPL FOR ADDITIONAL INFORMATION.
- △ 3. ROUTE WIRE ALONG FLOOR.
- △ 2. ROUTE WIRE THRU FLOOR.

1. ALL WIRES TO BE SECURED WITH CLAMP 10495-01-000 OR CLIP 80734-01-000 EVERY 600MM. USE SCREW 667-10-12B UNLESS OTHERWISE SPECIFIED.

NOTES:

- (265) CODES/STANDARDS-CSA/CMVSS
- (ID5) ENTERTAINMENT CENTR/EXT W/CD
- (1B1) CODES/STANDARDS USA

(1B1) (265)

FIRST USED	05 322R
DO NOT SCALE DRAWING	
TITLE:	WIRING INSTL.-BODY, 110V
SHEET 3	PART NO 150404

CONNECTS TO RADIO SWITCH

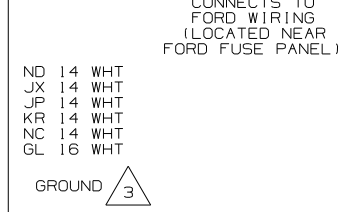
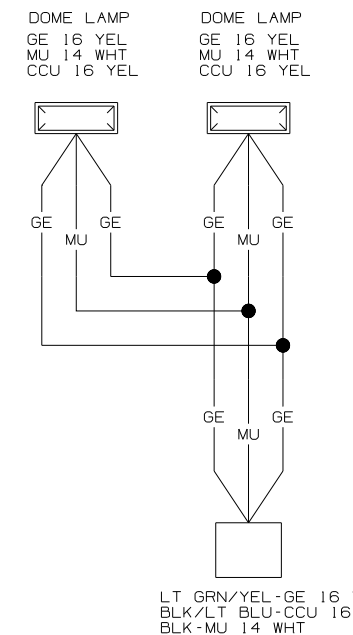
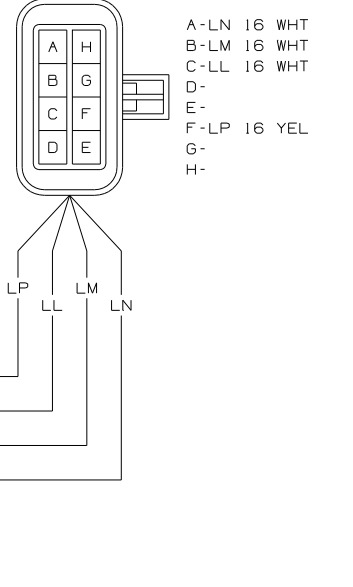
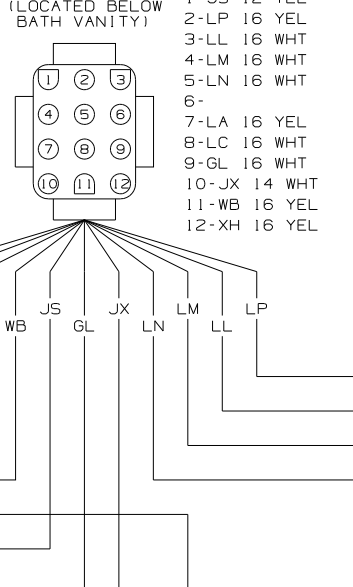
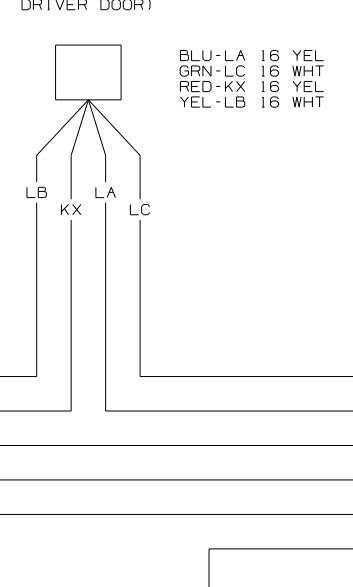
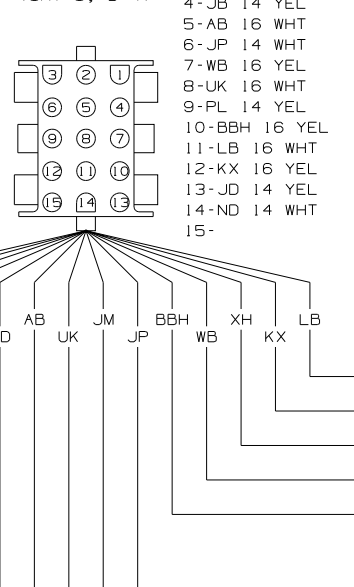
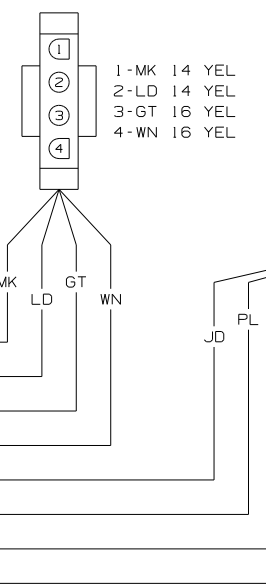
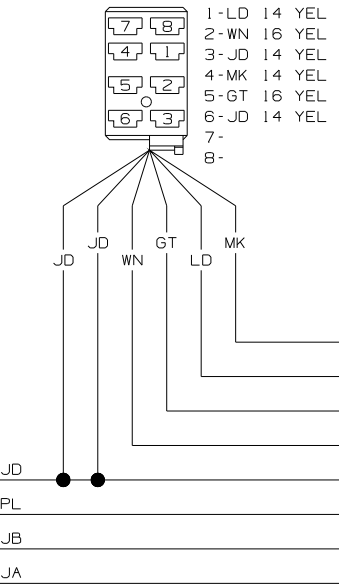
CONNECTS TO DASH RADIO ASM

CONNECTS TO WIRE ASM-RIGHT (SHT 3, D-4)

CONNECTS TO FORD WIRING (LOCATED BEHIND DRIVER DOOR)

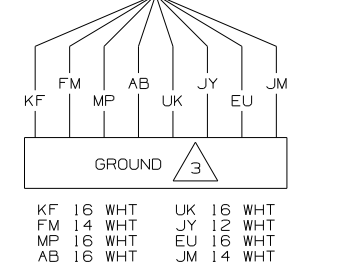
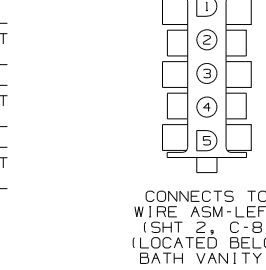
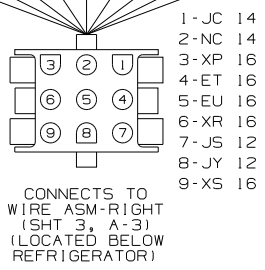
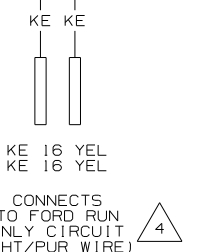
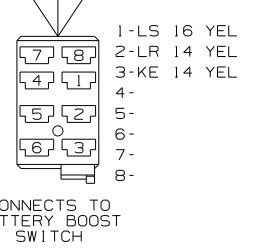
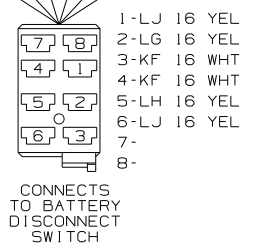
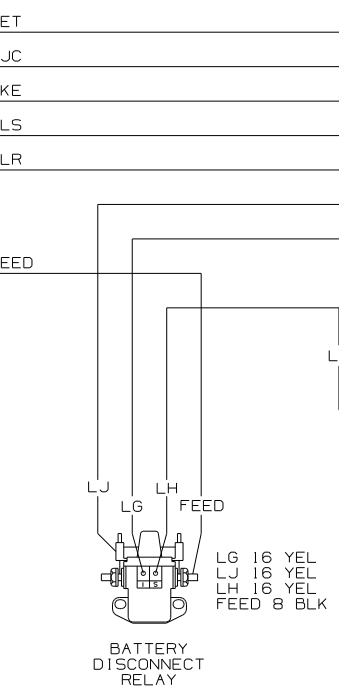
CONNECTS TO WIRE ASM-LEFT (SHT 2, A-2) (LOCATED BELOW BATH VANITY)

CONNECTS TO GENERATOR ⁴



LT GRN/YEL-GE 16 YEL
 BLK/LT BLU-CCU 16 YEL
 BLK-MU 14 WHT

CONNECTS TO FORD WIRING (LOCATED NEAR FORD FUSE PANEL)



WIRING DIAGRAM-CHASSIS, FORD (WIRE ASM 150421 REV-C)

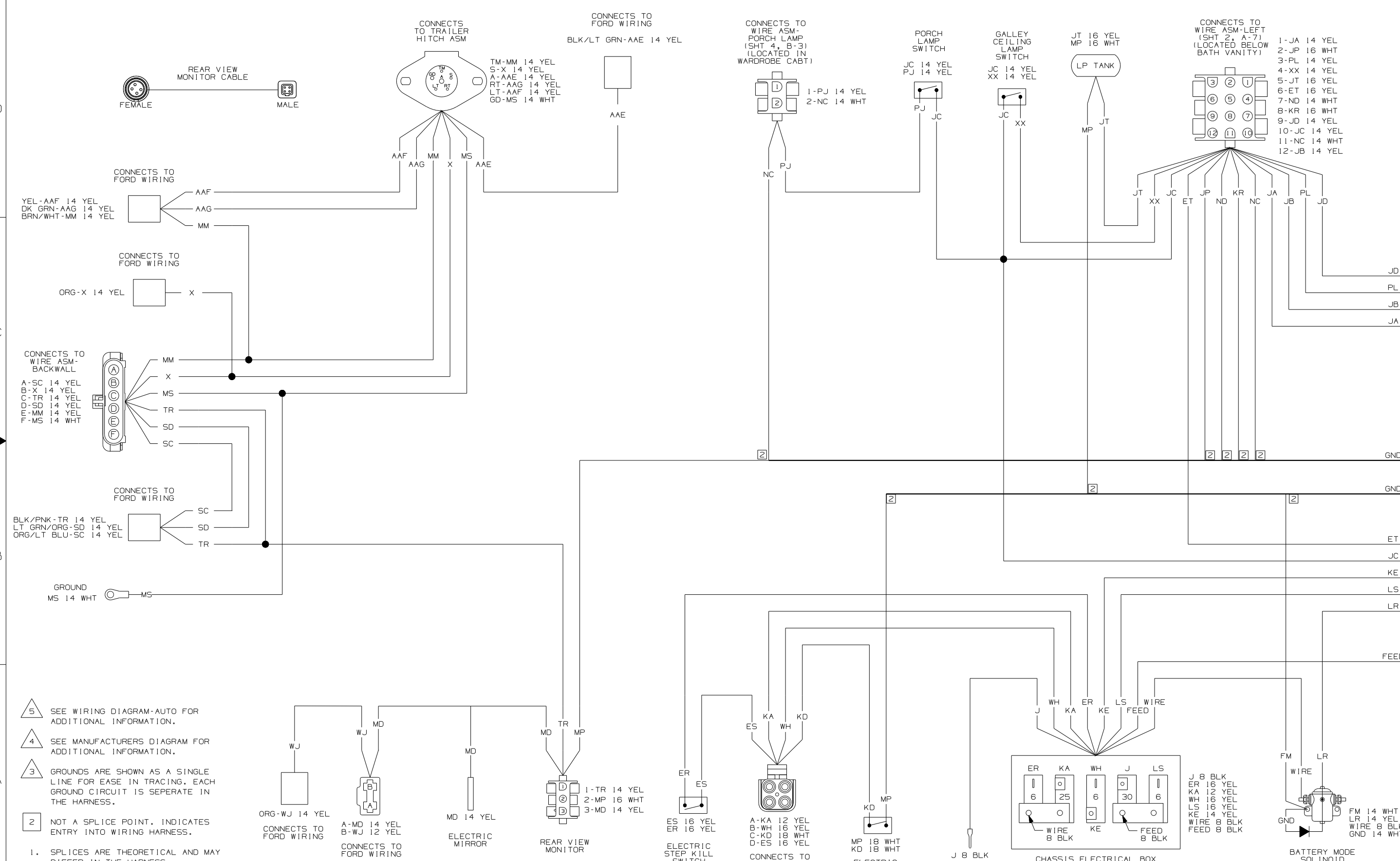
WINNEBAGO COPYRIGHT 2004 WINNEBAGO INDUSTRIES, INC.

DFTR _____ ORIG. DATE _____
 CHR _____ ALL DIMENSIONS ARE IN MILLIMETERS
 P.E. _____
 M.E. _____ FIRST USED _____
 DSNR _____ 05 322R

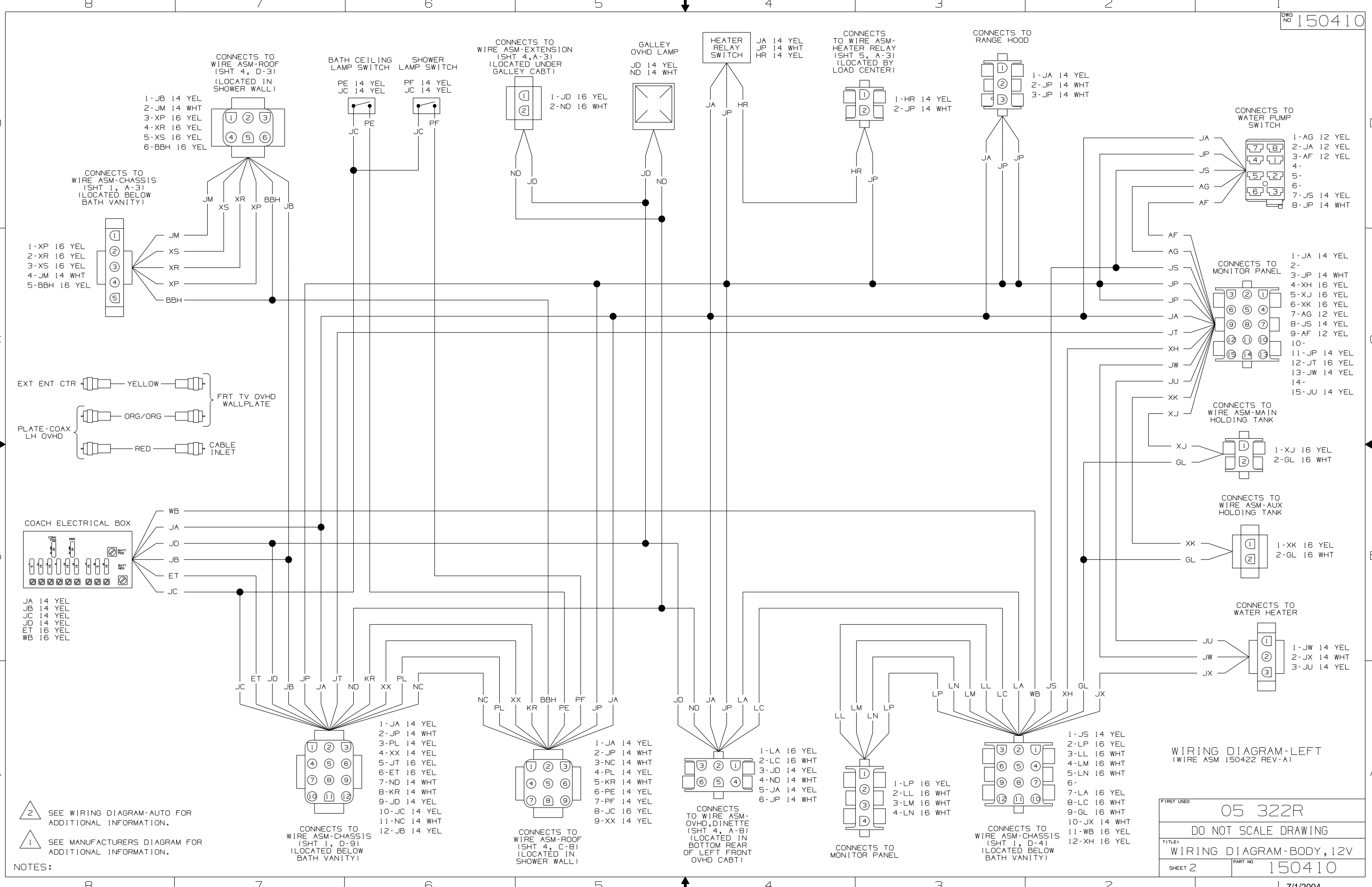
UNSPECIFIED TOLERANCES ARE: MATERIAL:
 WHOLE DIM (XX) :
 ONE-PLACE (X,XX) :
 TWO-PLACE (X,XX) :
 ANGLE :
 THIRD ANGLE PROJECTION

DO NOT SCALE DRAWING

TITLE: WIRING DIAGRAM-BODY, 12V
 SHEET 1 of 5 PART NO 150410



- NOTES:
- 5 SEE WIRING DIAGRAM-AUTO FOR ADDITIONAL INFORMATION.
 - 4 SEE MANUFACTURERS DIAGRAM FOR ADDITIONAL INFORMATION.
 - 3 GROUNDS ARE SHOWN AS A SINGLE LINE FOR EASE IN TRACING. EACH GROUND CIRCUIT IS SEPERATE IN THE HARNESS.
 - 2 NOT A SPLICE POINT. INDICATES ENTRY INTO WIRING HARNESS.
 - 1. SPLICES ARE THEORETICAL AND MAY DIFFER IN THE HARNESS.



NOTES:

2 SEE WIRING DIAGRAM-AUTO FOR ADDITIONAL INFORMATION.

1 SEE MANUFACTURERS DIAGRAM FOR ADDITIONAL INFORMATION.

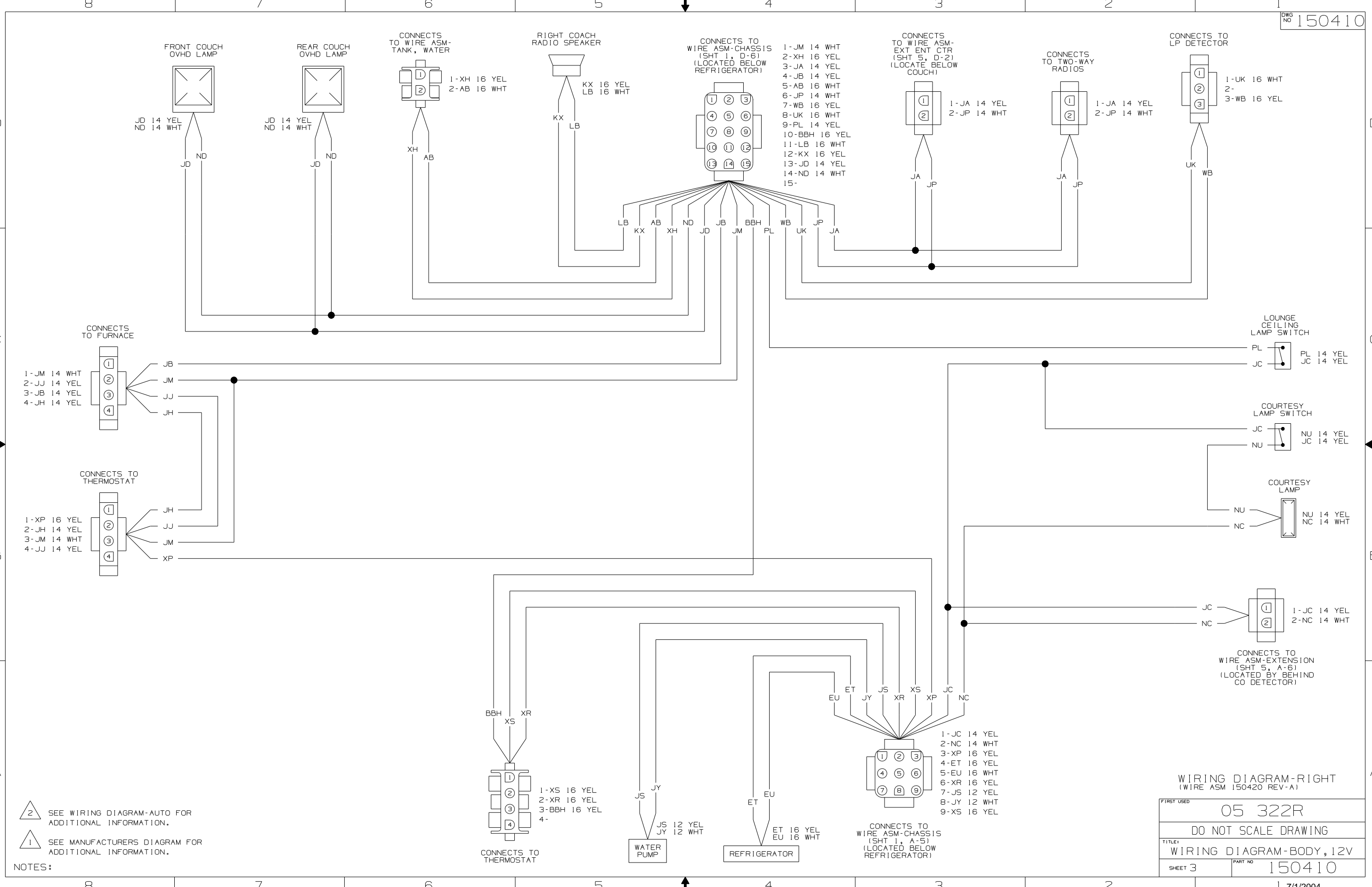
WIRING DIAGRAM-LEFT (WIRE ASM 150422 REV-A)

FIRST USED 05 322R

DO NOT SCALE DRAWING

TITLE: WIRING DIAGRAM-BODY, 12V

SHEET 2 PART NO 150410



NOTES:

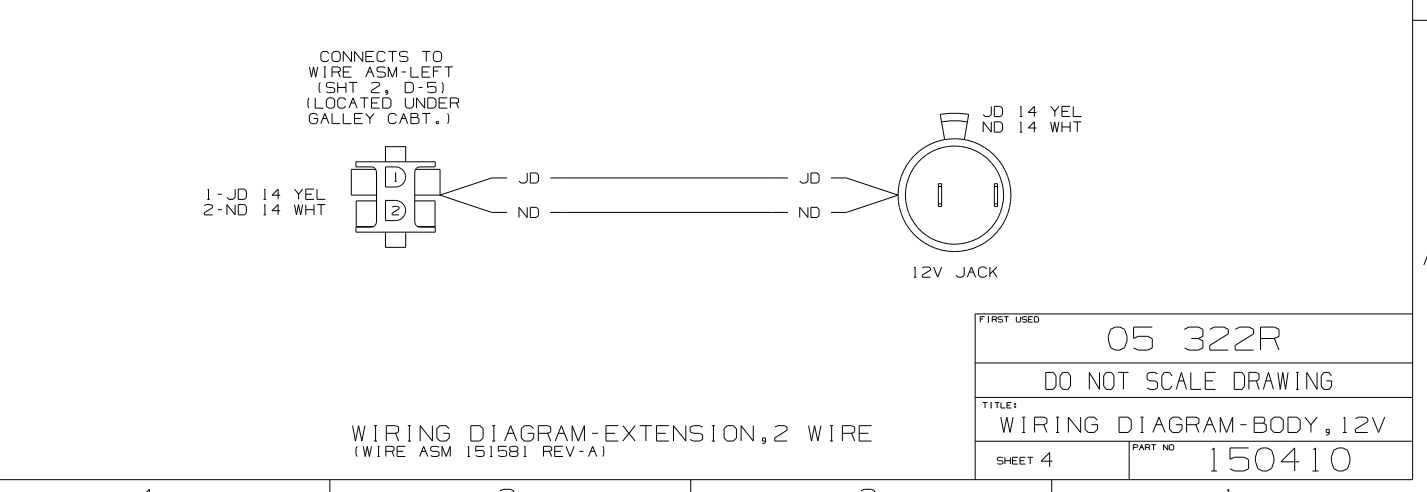
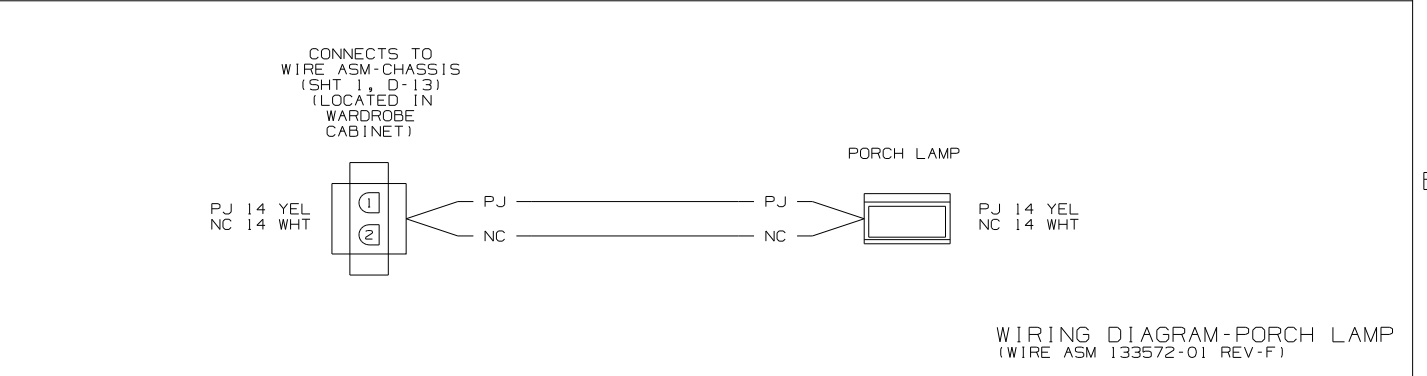
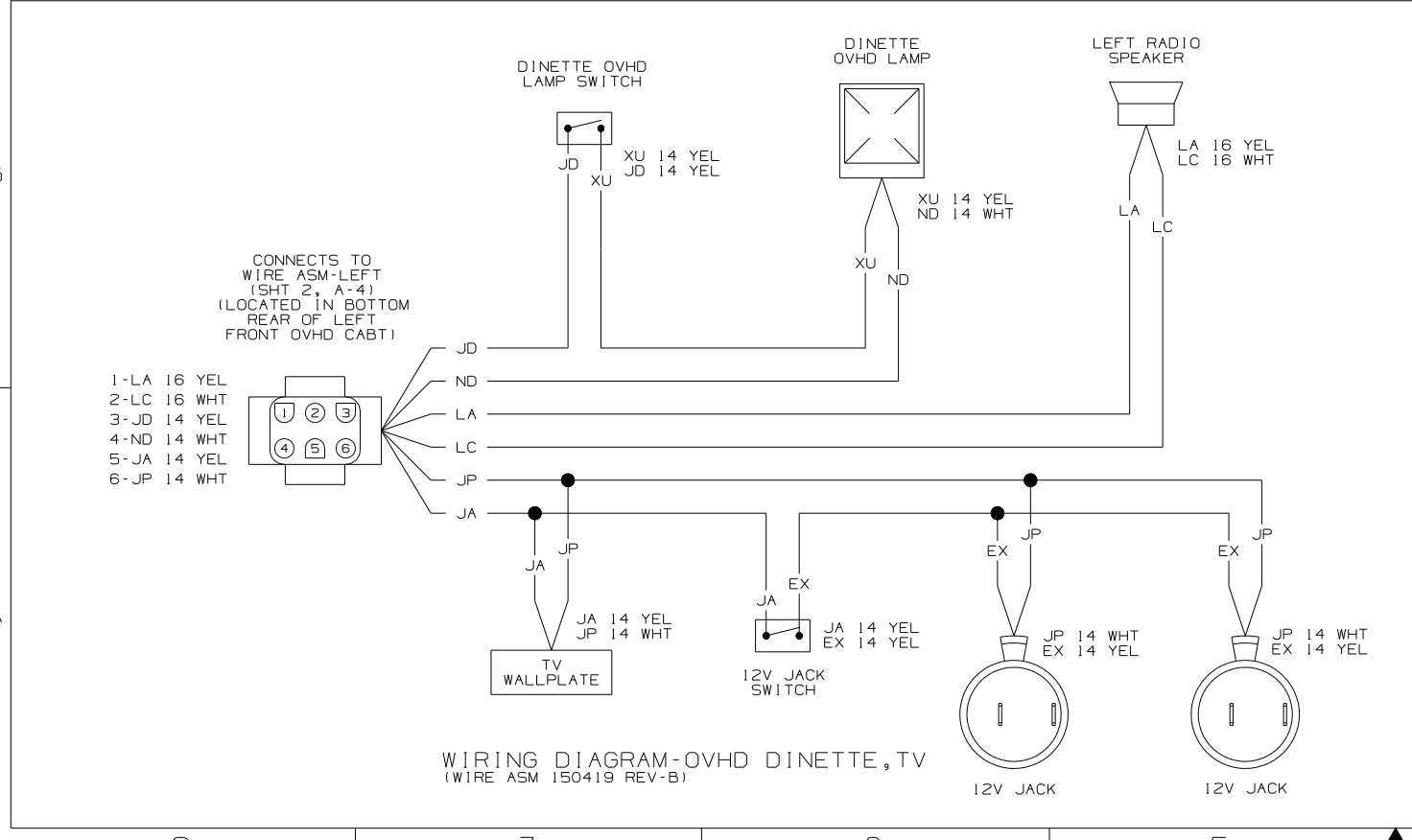
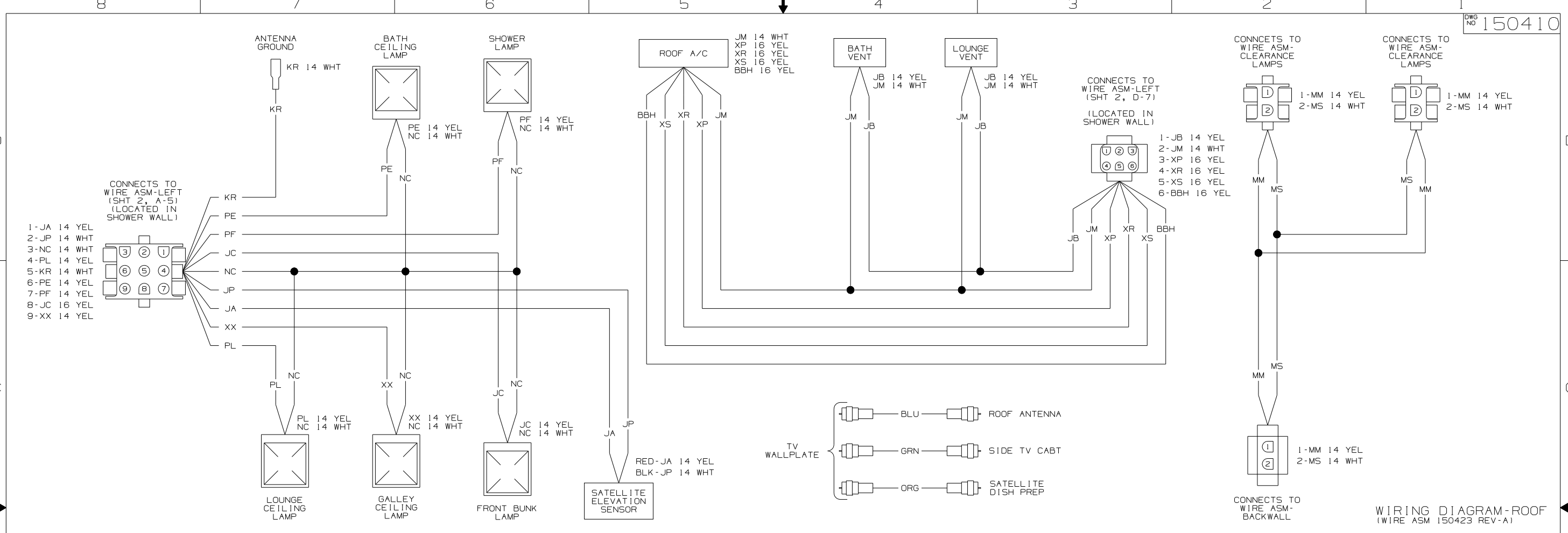
2 SEE WIRING DIAGRAM-AUTO FOR ADDITIONAL INFORMATION.

1 SEE MANUFACTURERS DIAGRAM FOR ADDITIONAL INFORMATION.

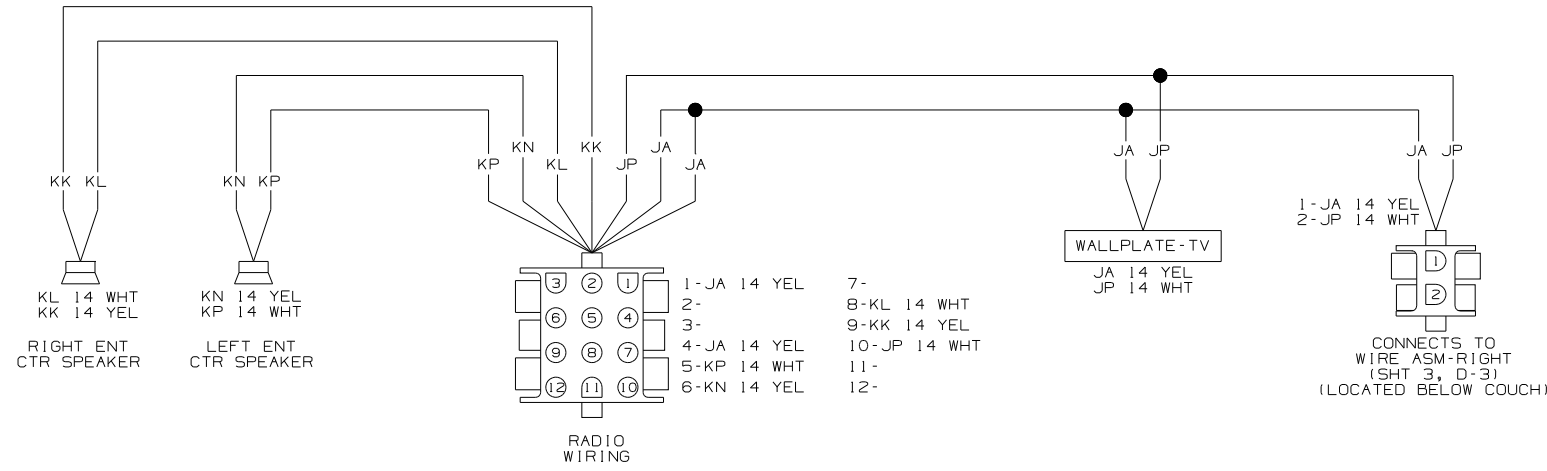
WIRING DIAGRAM-RIGHT
(WIRE ASM 150420 REV-A)

FIRST USED	05 322R
DO NOT SCALE DRAWING	
TITLE:	WIRING DIAGRAM-BODY, 12V
SHEET 3	PART NO 150410

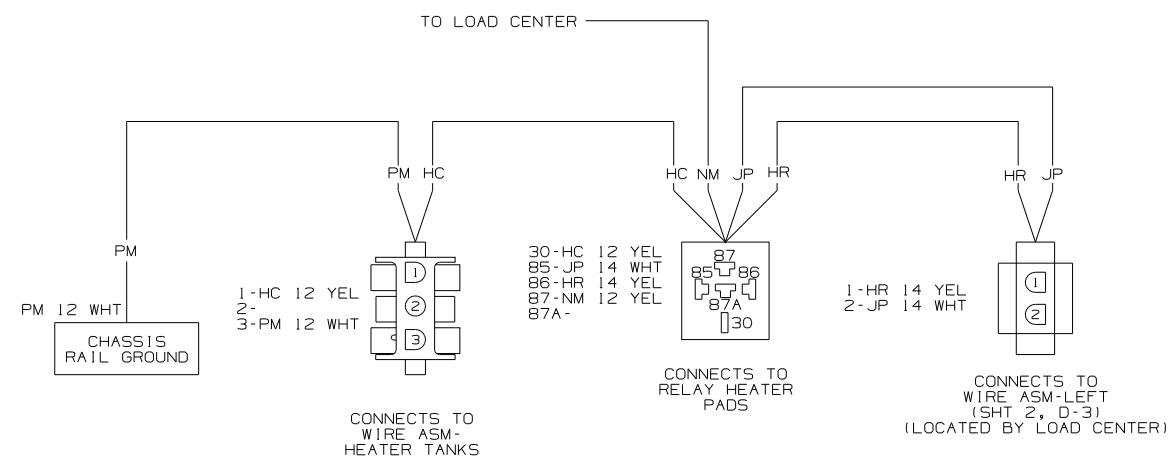
1 7/1/2004



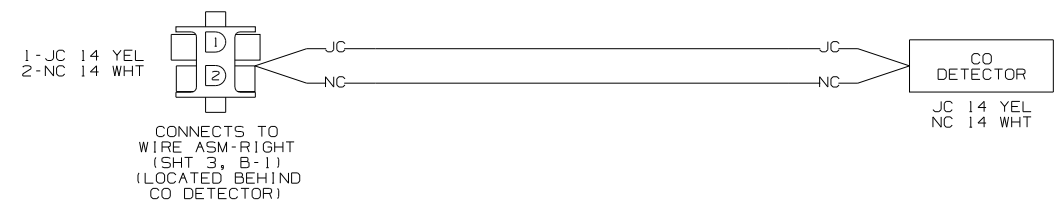
FIRST USED	05 322R
TITLE	DO NOT SCALE DRAWING
	WIRING DIAGRAM-BODY, 12V
SHEET 4	PART NO 150410



WIRING DIAGRAM-ENTERTAINMENT CENTER (WIRE ASM 125853-04 REV-L)

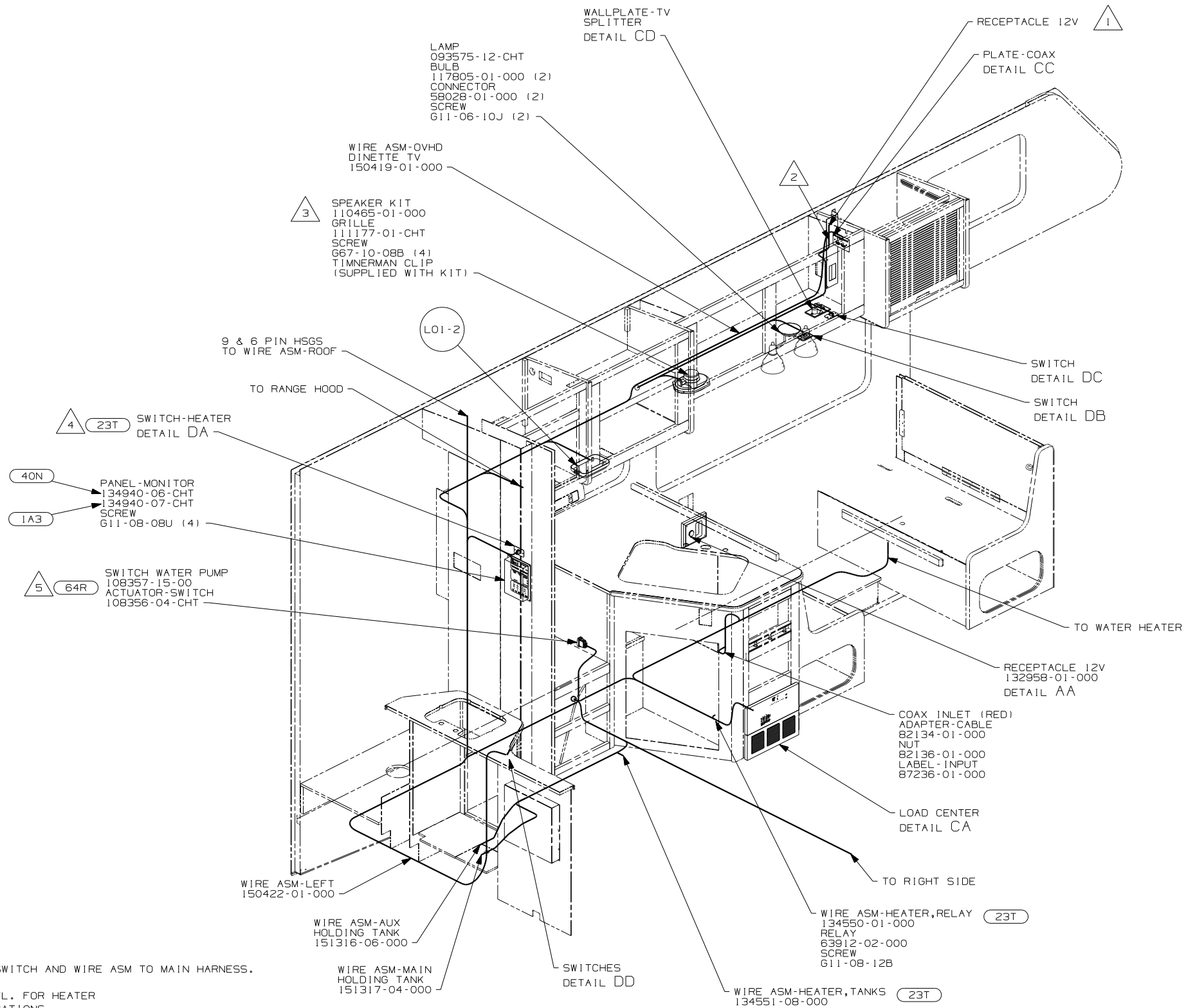


WIRING DIAGRAM-HEATER, RELAY (WIRE ASM 134550)



WIRING DIAGRAM-EXTENSION (WIRE ASM 149130 REV-B)

FIRST USED	05 322R
TITLE	DO NOT SCALE DRAWING
TITLE	WIRING DIAGRAM-BODY, 12V
SHEET 5	PART NO 150410



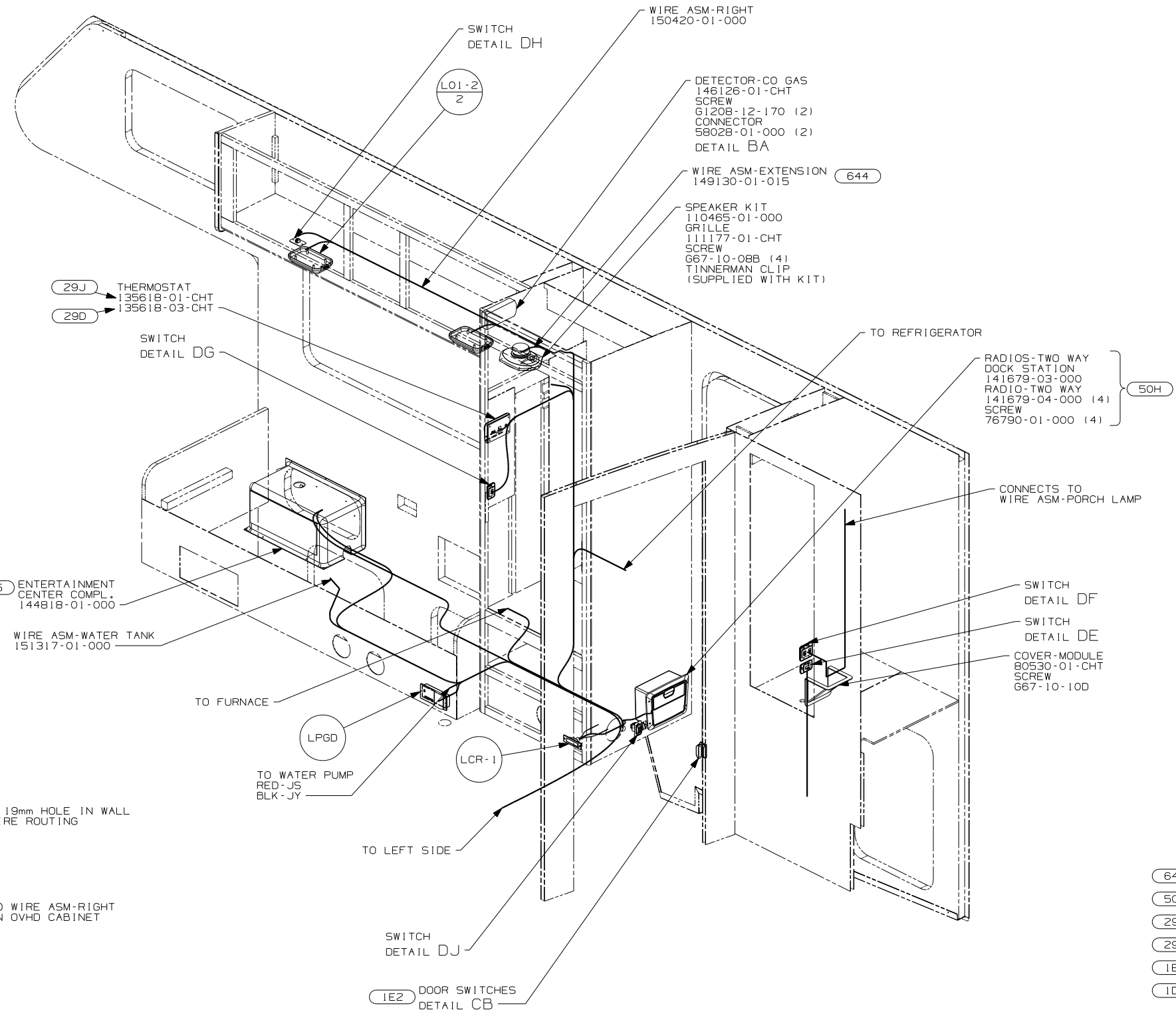
- (64R) EXTERIOR WASH STATION
- (40N) GEN-4.0KW-ONANGAS-MICROQUIET
- (23T) DRAINAGE SYSTEM-HEATED
- (1D5) ENTERTAINMENT CENTR/EXT W/CD
- (1A3) GENERATOR WITHOUT

- NOTES:
- △ 5 WITHOUT (64R) WIRE TIE SWITCH AND WIRE ASM TO MAIN HARNESS.
 - △ 4 SEE DRAINAGE SYSTEM INSTL. FOR HEATER PAD PART NUMBERS AND LOCATIONS.
 - △ 3 USE ONE OF THE SPEAKER ASM'S PROVIDED IN KIT. SEND SCREWS IN THE KIT TO THE SURPLUS STORE TO BE SOLD. SEND THE WIRE ASM W/HSG TO WIRE PREP TO BE INCORPORATED INTO THE NECESSARY WIRE LOOM.
 - △ 2 TAPE BACK JA AND JP FOR 2ND JACK WHEN IT IS NOT NEEDED.
 - △ 1 SEE WIRING INSTL-TV/VCR, FOR ADDITIONAL INFORMATION.

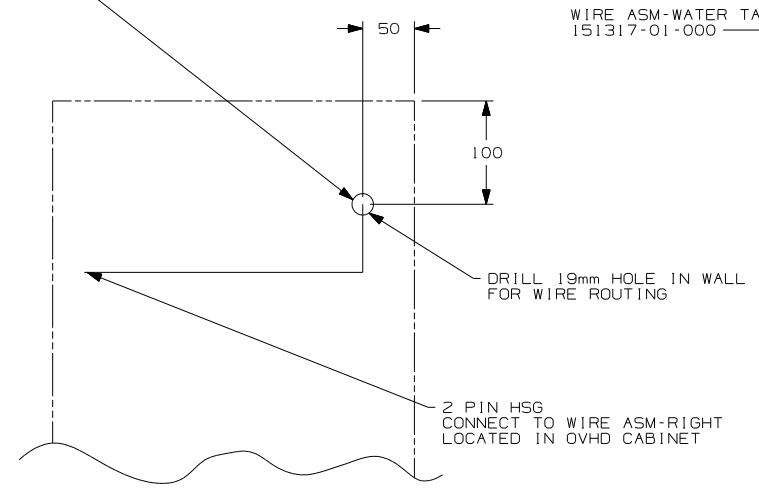
FOR ELECTRICAL TORQUE SPECIFICATIONS SEE DWG NO. 128783-01-000

(X-X) FOR ELECTRICAL CALLOUTS SEE DWG NO. 121339-01-000

WINNEBAGO		COPYRIGHT 2004 WINNEBAGO INDUSTRIES, INC.	
DFTR	ORIG. DATE	ALL DIMENSIONS ARE IN MILLIMETERS	
CHKR		FIRST USED	
P.E.		05 322R	
M.E.		UNSPECIFIED TOLERANCES ARE:	
DSNR		MATERIAL:	
		WHOLE DIM (X)	: 1
		ONE-PLACE (X.X)	: 1.5
		TWO-PLACE (X.XX)	: 0.50
		ANGLE	: 1°
THIRD ANGLE PROJECTION			
DO NOT SCALE DRAWING			
TITLE: WIRING INSTL.-BODY,12V			
SHEET 1 of 6	PART NO	150405	
REF: 146696-C 5/3/2004			



CONNECT BOTH RED WIRES OF CO DETECTOR TO YELLOW WIRE OF WIRE ASM
 CONNECT BLK WIRE OF CO DETECTOR TO WHT WIRE OF WIRE ASM



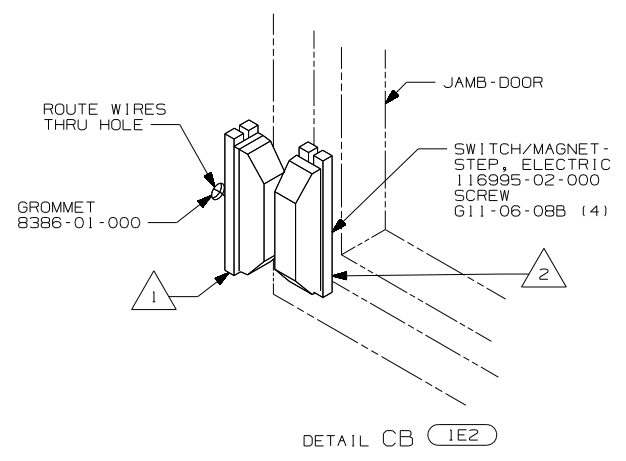
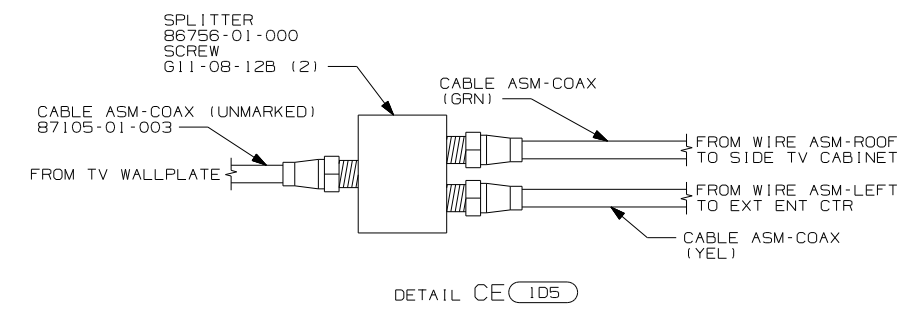
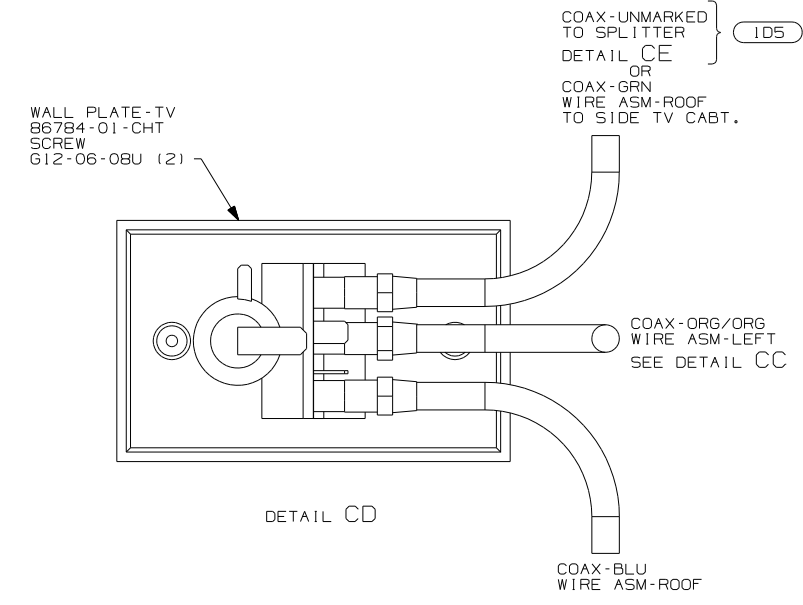
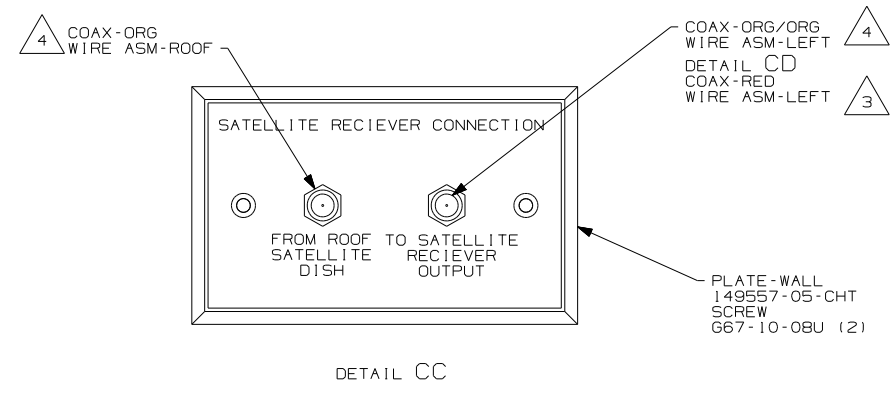
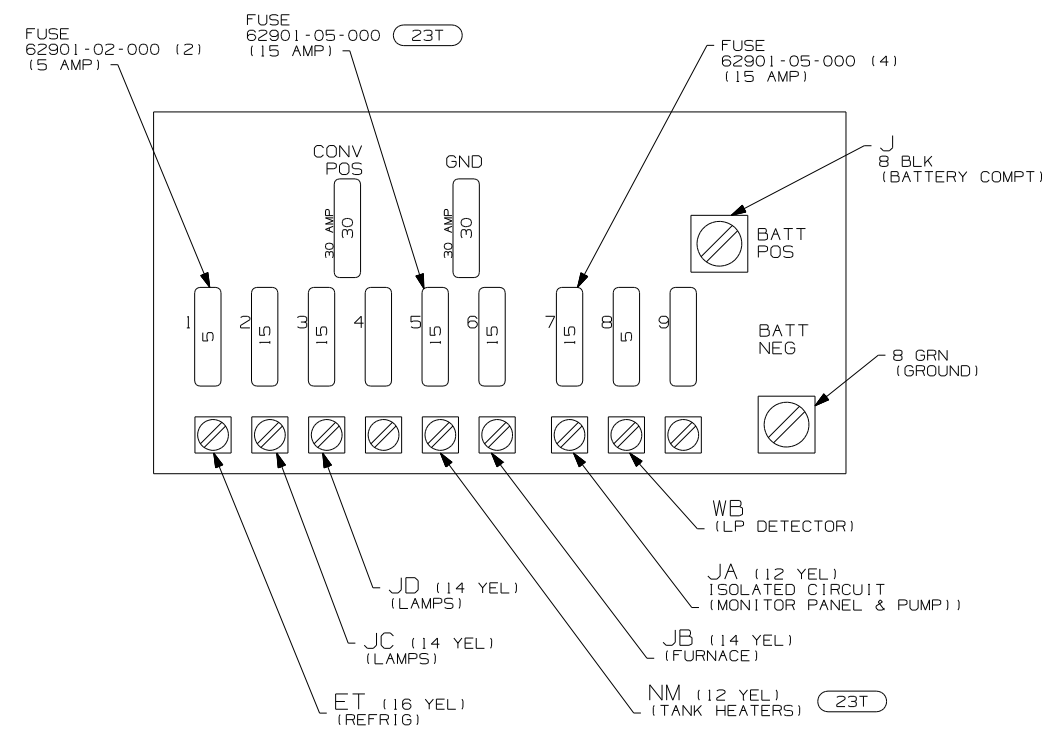
DETAIL BA (644)

- (644) GREAT ALASKAN RENTAL PACKAGE
- (50H) RADIOS TWO-WAY (4)
- (29J) AC HEAT PUMP-1
- (29D) A/C ROOF-ONE 13,500 BTU
- (1E2) ENTRANCE STEP-ELEC.
- (1D5) ENTERTAINMENT CENTR/EXT W/CD

FOR ELECTRICAL TORQUE SPECIFICATIONS SEE DWG NO. 128783-01-000

(X-X) FOR ELECTRICAL CALLOUTS SEE DWG NO. 121339-01-000

FIRST USED	05 322R
DO NOT SCALE DRAWING	
TITLE	WIRING INSTL.-BODY, 12V
SHEET 2	PART NO 150405



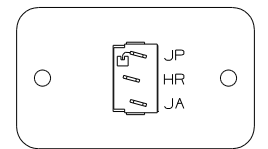
- (23T) DRAINAGE SYSTEM-HEATED
- (1E2) ENTRANCE STEP-ELEC.
- (1D5) ENTERTAINMENT CENTR/EXT W/CD

- 4 CONNECT COAX TO BACK SIDE OF WALL PLATE.
- 3 CONNECT COAX TO FRONT SIDE OF WALL PLATE.
- 2 MAOUNT MAGNET USING PILOT HOLES IN SCREEN DOOR FRAME. MOUNT WITH MAGNET TOWARD SWITCH.
- 1 MOUNT SWITCH AND SPACER TO BLOCK ON JAMB. ADJUST HEIGHT TO MATCH MAGNET.

FOR ELECTRICAL TORQUE SPECIFICATIONS SEE DWG NO. 128783-01-000

FOR ELECTRICAL CALLOUTS SEE DWG NO. 121339-01-000

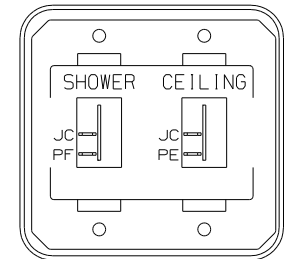
FIRST USED	05 322R
DO NOT SCALE DRAWING	
TITLE	WIRING INSTL.-BODY, 12V
SHEET 3	PART NO 150405



SWITCH-HEATER
89308-05-CHT
PLATE-SWITCH
98351-01-CHT
SCREW
G11-06-16J (2)
LABEL-SWITCH
134563-01-CHT

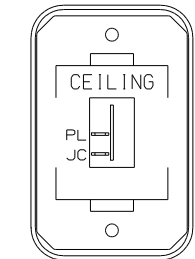
HOLDING TANK HEATER
TURN OFF When Not In Use
SEE OPERATORS MANUAL

DETAIL DA (23T)



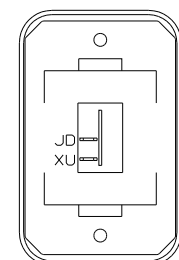
SWITCH-ROCKER
135740-01-CHT (2)
SWITCH-BASE
135741-02-CHT
SWITCH-BEZEL
135742-15-CHT
SCREW
G11-08-08U (4)

DETAIL DD



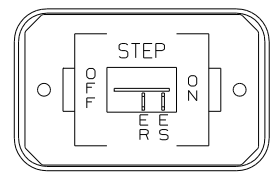
SWITCH-ROCKER
135740-01-CHT
SWITCH-BASE
135741-01-CHT
SWITCH-BEZEL
135742-07-CHT
SCREW
G11-08-08U (2)

DETAIL DG



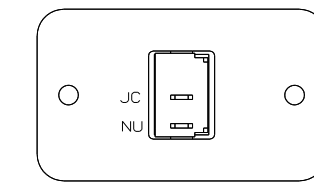
SWITCH-ROCKER
135740-01-CHT
SWITCH-BASE
135741-01-CHT
SWITCH-BEZEL
135742-01-CHT
SCREW
G11-08-08U (2)

DETAIL DB



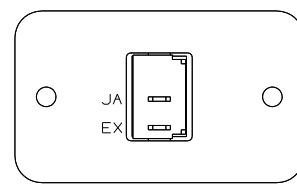
SWITCH-ROCKER
135740-01-CHT
SWITCH-BASE
135741-01-CHT
SWITCH-BEZEL
135742-11-CHT
SCREW
G11-08-08U (2)

DETAIL DE (IE2)



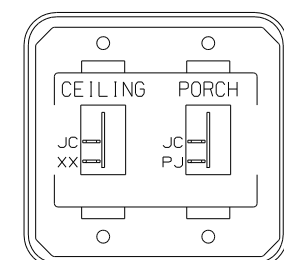
SWITCH-PLATE
098351-01-CHT
SWITCH
132180-01-CHT
SCREW
G11-06-16J (2)

DETAIL DH



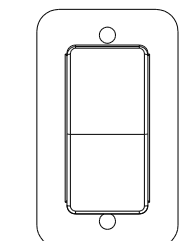
SWITCH-PLATE
098351-14-CHT
SWITCH
132180-01-CHT
SCREW
G11-06-16J (2)

DETAIL DC

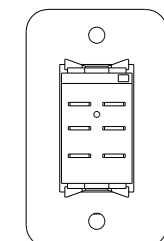


SWITCH-ROCKER
135740-01-CHT (2)
SWITCH-BASE
135741-02-CHT
SWITCH-BEZEL
135742-19-CHT
SCREW
G11-08-08U (4)

DETAIL DF



DETAIL DJ (FRONT SIDE)



DETAIL DJ (BACK SIDE)

SWITCH-BATTERY, DISC
108357-06-000
ACTUATOR-SWITCH
108356-11-CHT
PLATE-SWITCH
98351-07-CHT
SCREW
G11-06-10U (2)

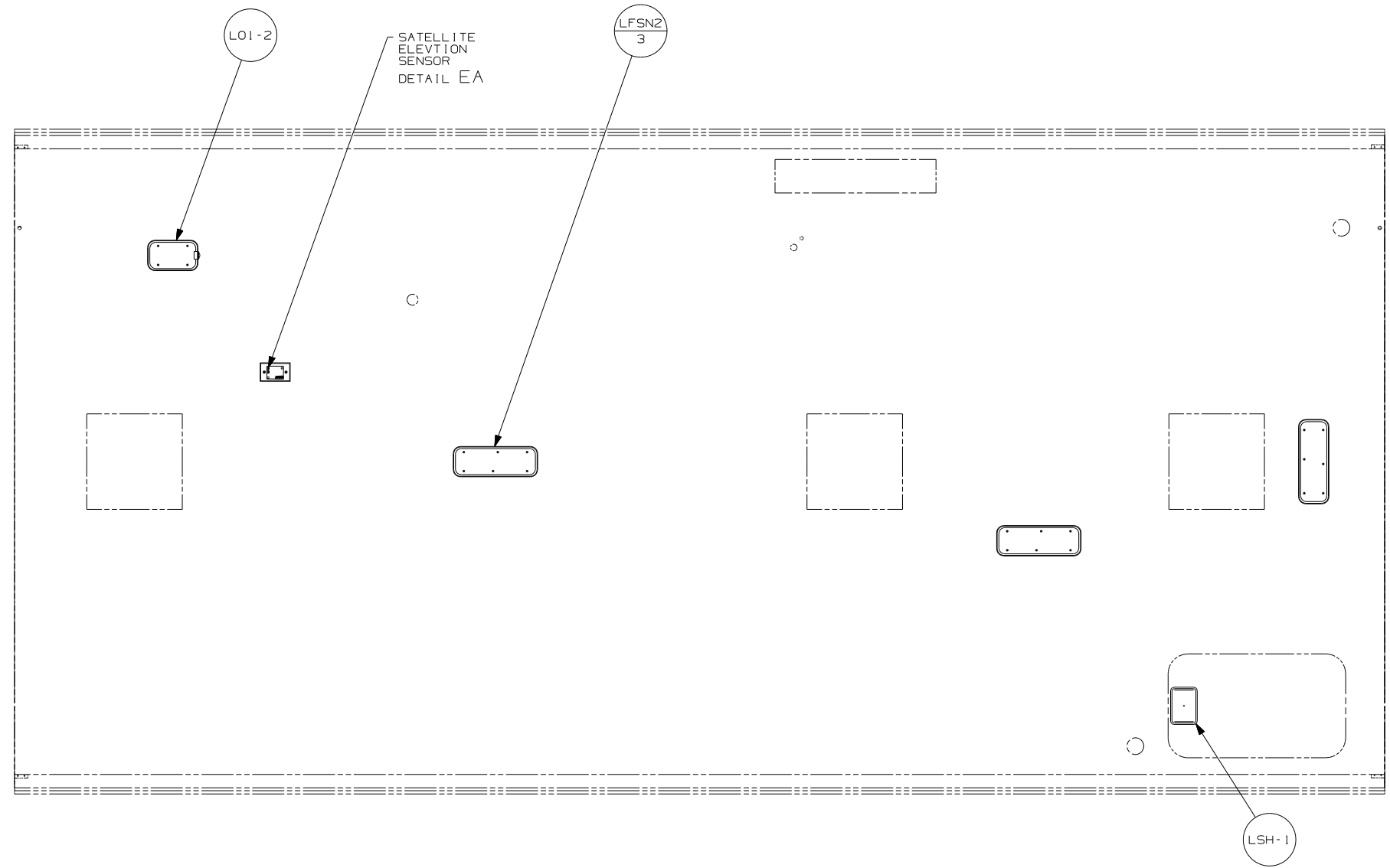
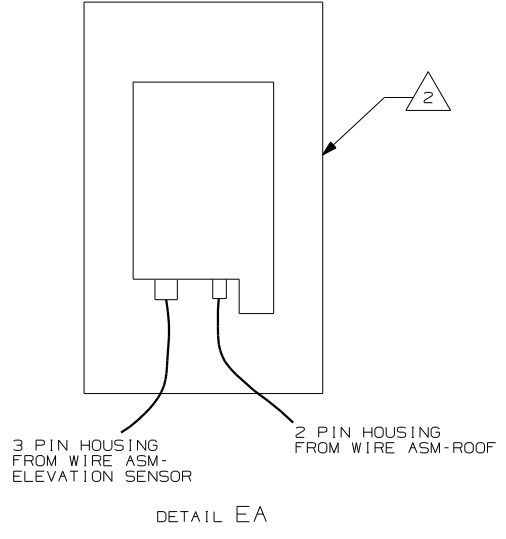
(23T) DRAINAGE SYSTEM-HEATED

(IE2) ENTRANCE STEP-ELEC.

FOR ELECTRICAL
TORQUE
SPECIFICATIONS
SEE DWG NO.
128783-01-000

(X-X)
FOR
ELECTRICAL
CALLOUTS
SEE DWG NO.
121339-01-000

FIRST USED	05 322R
TITLE	DO NOT SCALE DRAWING
TITLE	WIRING INSTL.-BODY, 12V
SHEET 4	PART NO 150405



△ SENSOR SUPPLIED WITH SATELLITE ASSEMBLY.
1. SEE ROOF ASM FOR ADDITIONAL INFORMATION.

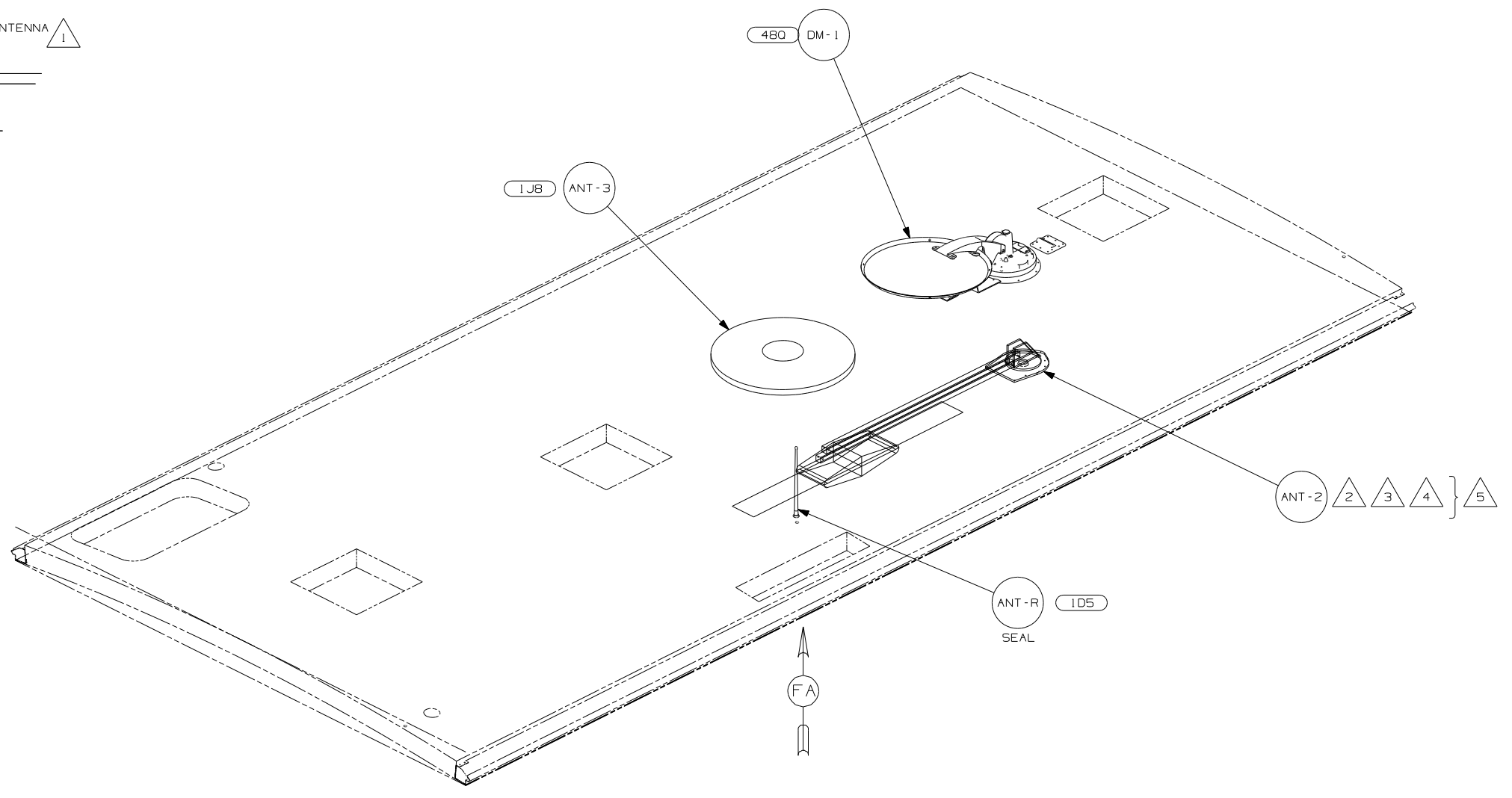
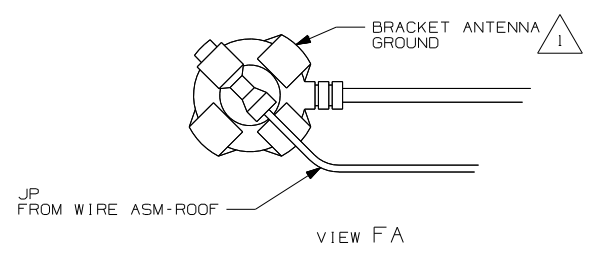
NOTES:

FOR ELECTRICAL TORQUE SPECIFICATIONS SEE DWG NO. 128783-01-000

FOR ELECTRICAL CALLOUTS SEE DWG NO. 121339-01-000

480 SATELLITE DISH & ELEV.SENSOR

FIRST USED	05 322R
DO NOT SCALE DRAWING	
TITLE:	WIRING INSTL.-BODY, 12V
SHEET 5	PART NO 150405



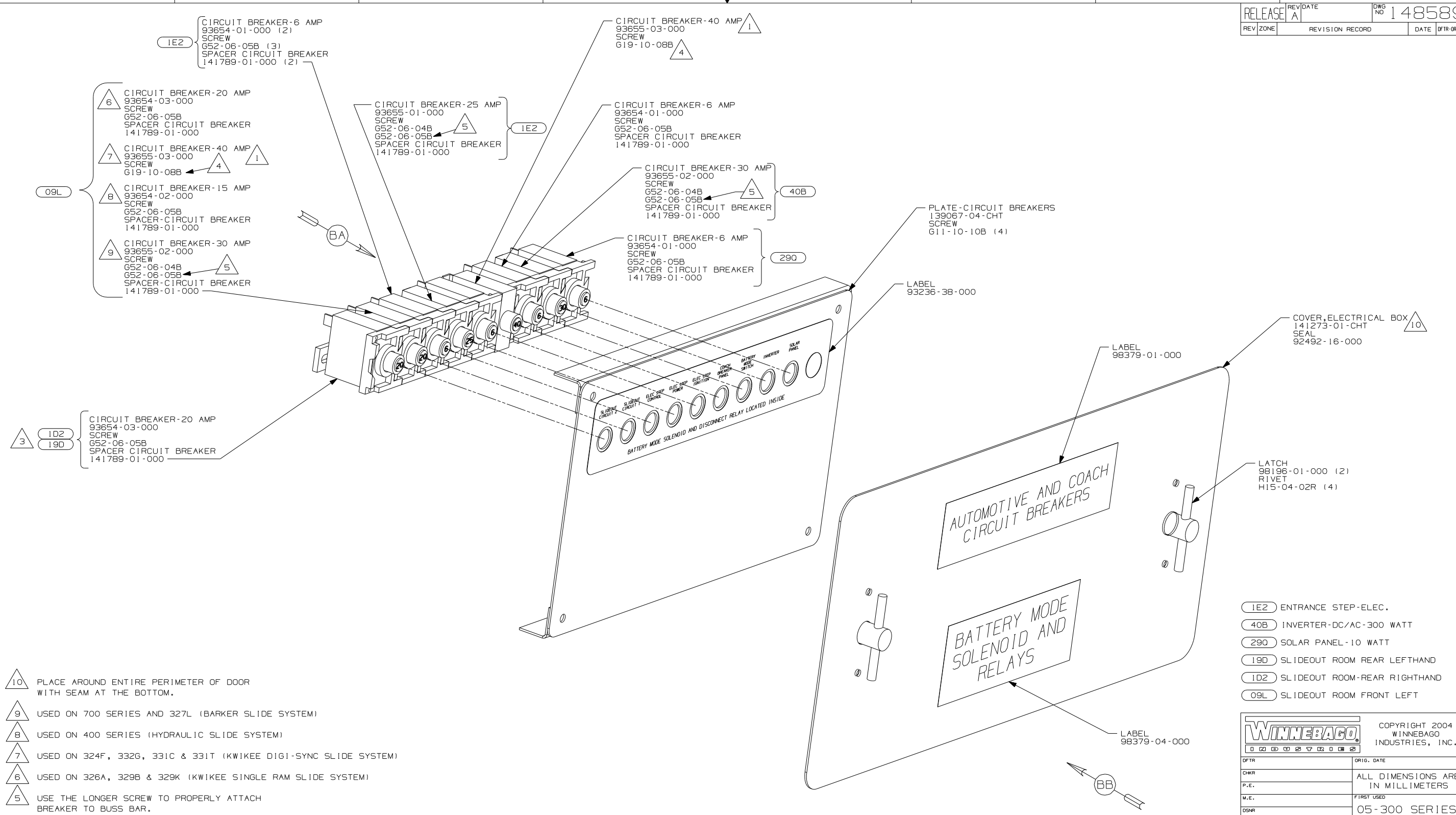
- NOTES:
- 5 NOT USED WITH 1JB.
 - 4 ADD RUBBER BUMPERS TO ROOF UNDER EACH END IN ANTENNA IN DOWN POSITION.
 - 3 LOCATE CLIP TO RETAIN CABLE BUT NOT TO RESTRICT ANTENNA.
 - 2 SEE DRAWING 76319-01-000 FOR INSTALLATION OF TV ANTENNA.
 - 1 WRAP BRACKET LEGS AROUND ANTENNA BASE.

- 1JB TV ANTENNA-OMNIDIRECTIONAL
- 480 SATELLITE DISH & ELEV.SENSOR
- 1D5 ENTERTAINMENT CENTR/EXT W/CD

FOR ELECTRICAL TORQUE SPECIFICATIONS SEE DWG NO. 128783-01-000

FOR ELECTRICAL CALLOUTS SEE DWG NO. 121339-01-000

FIRST USED	05 322R
DO NOT SCALE DRAWING	
TITLE	WIRING INSTL.-BODY, 12V
SHEET 6	PART NO 150405

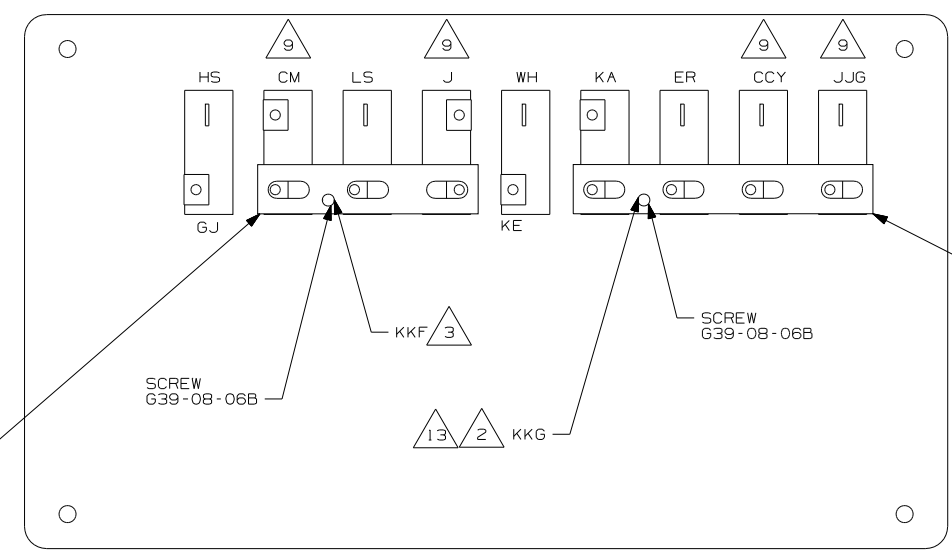


- 10 PLACE AROUND ENTIRE PERIMETER OF DOOR WITH SEAM AT THE BOTTOM.
 - 9 USED ON 700 SERIES AND 327L (BARKER SLIDE SYSTEM)
 - 8 USED ON 400 SERIES (HYDRAULIC SLIDE SYSTEM)
 - 7 USED ON 324F, 332G, 331C & 331T (KWIKEE DIGI-SYNC SLIDE SYSTEM)
 - 6 USED ON 326A, 329B & 329K (KWIKEE SINGLE RAM SLIDE SYSTEM)
 - 5 USE THE LONGER SCREW TO PROPERLY ATTACH BREAKER TO BUSS BAR.
 - 4 REPLACE EXISTING SCREW TO PROPERLY ATTACH BREAKER TO BUSS BAR.
 - 3 NOT USED ON 400 SERIES
2. SECURE CONDUIT 41953, TAB AS REQUIRED, OVER ALL WIRES IN CONTACT WITH SHARP EDGES.
- 1 SPACER NOT REQUIRED ON 40 AMP BREAKER.

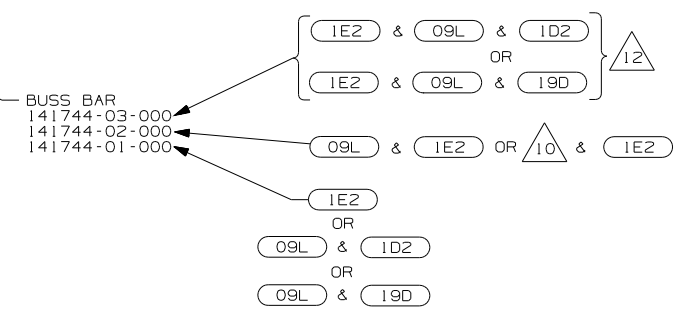
- 1E2 ENTRANCE STEP-ELEC.
- 40B INVERTER-DC/AC-300 WATT
- 290 SOLAR PANEL-10 WATT
- 19D SLIDEOUT ROOM REAR LEFTHAND
- 1D2 SLIDEOUT ROOM-REAR RIGHTHAND
- 09L SLIDEOUT ROOM FRONT LEFT

WINNEBAGO		COPYRIGHT 2004 WINNEBAGO INDUSTRIES, INC.	
DFTR	ORIG. DATE		
CHKR	ALL DIMENSIONS ARE IN MILLIMETERS		
P.E.	FIRST USED		
M.E.	05-300 SERIES		
DSNR			
UNSPECIFIED TOLERANCES ARE:		MATERIAL:	
WHOLE DIM (X)	:		
ONE-PLACE (X.X)	:		
TWO-PLACE (X.XX)	:		
ANGLE	:		
THIRD ANGLE PROJECTION			
DO NOT SCALE DRAWING			
TITLE: CHASSIS ELECTRICAL BOX ASM			
SHEET 1 OF 2	PART NO	148589	
REF:		1 6/13/2005	

NOTES:



VIEW BA 4

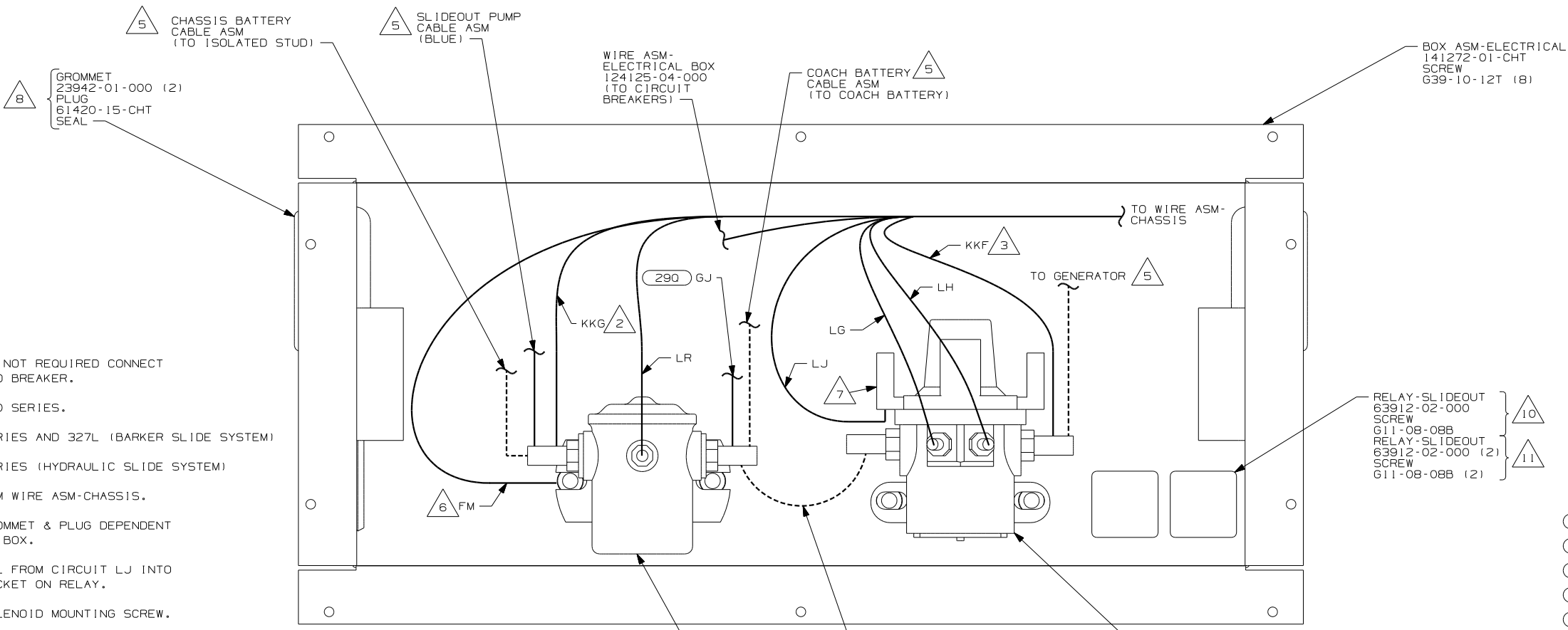


BUSS BAR 141744-01-000 40B 141744-02-000

SCREW G39-08-06B

KKF 3

SCREW G39-08-06B



VIEW BB 4

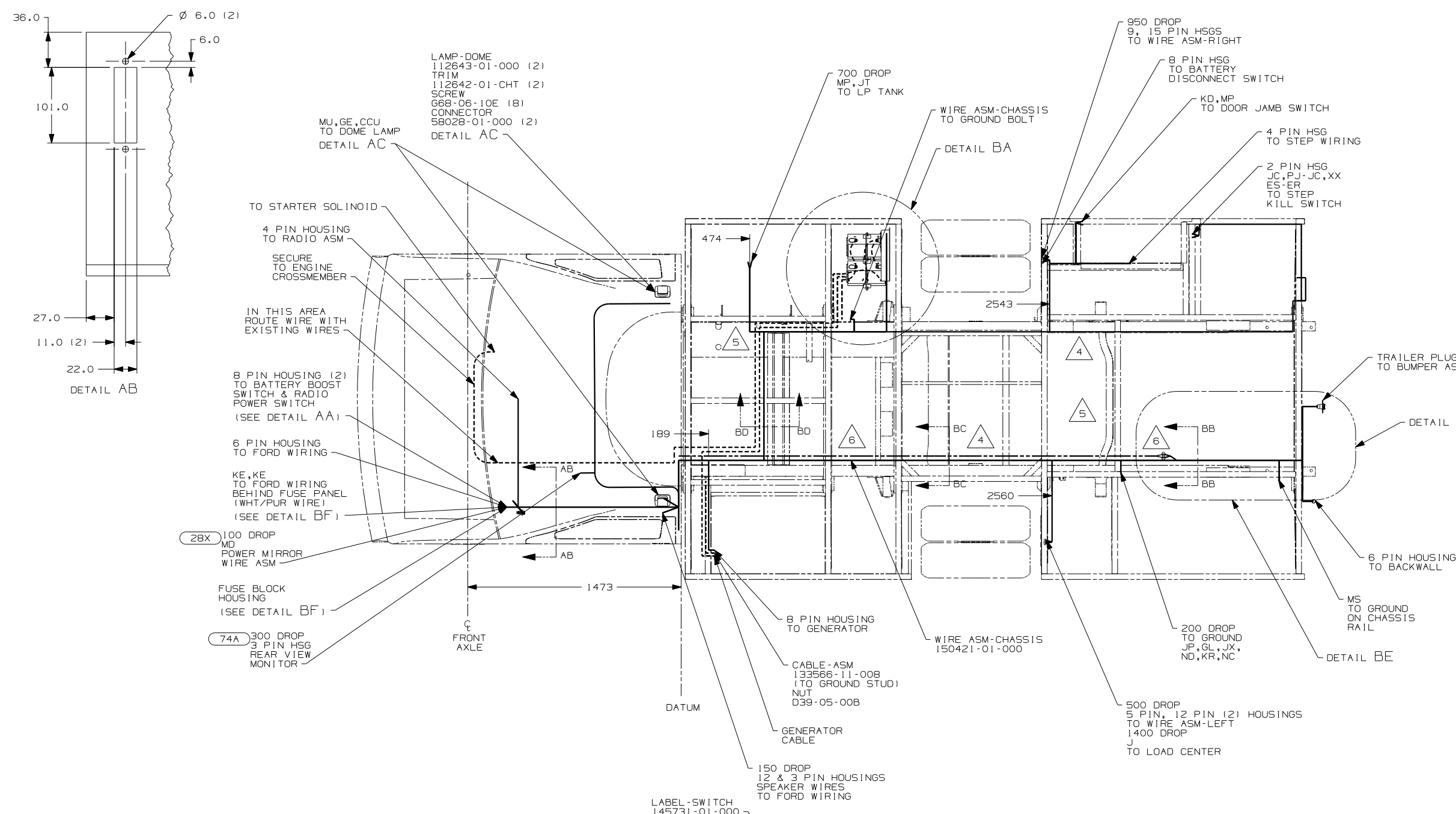
- 13 IF BUSS BAR IS NOT REQUIRED CONNECT KKG DIRECTLY TO BREAKER.
- 12 NOT USED ON 400 SERIES.
- 11 USED ON 700 SERIES AND 327L (BARKER SLIDE SYSTEM)
- 10 USED ON 400 SERIES (HYDRAULIC SLIDE SYSTEM)
- 9 CIRCUIT IS FROM WIRE ASM-CHASSIS.
- 8 LOCATION OF GROMMET & PLUG DEPENDENT ON LOCATION OF BOX.
- 7 INSERT TERMINAL FROM CIRCUIT LJ INTO FUSE HOLDER SOCKET ON RELAY.
- 6 SECURE WITH SOLENOID MOUNTING SCREW.
- 5 SEE WIRING INSTL-CHASSIS FOR ADDITIONAL INFORMATION.
- 4 TAPE BACK UNUSED WIRES TO HARNESS.
- 3 WIRE IS MARKED WITH YELLOW TAPE.
- 2 WIRE IS MARKED WITH PURPLE TAPE.

NOTES: 1. LEGEND: — WINNEBAGO: - - - - - CABLE: - - - - - CHASSIS SUPPLIED WIRING.

RELAY-SLIDEOUT 63912-02-000 SCREW G11-08-08B RELAY-SLIDEOUT 63912-02-000 (2) SCREW G11-08-08B (2)

- 1E2 ENTRANCE STEP-ELEC.
- 290 SOLAR PANEL-10 WATT
- 40B INVERTER-DC/AC-300 WATT
- 19D SLIDEOUT ROOM REAR LEFTHAND
- 1D2 SLIDEOUT ROOM-REAR RIGHTHAND
- 09L SLIDEOUT ROOM FRONT LEFT

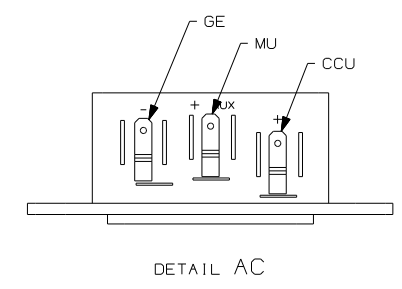
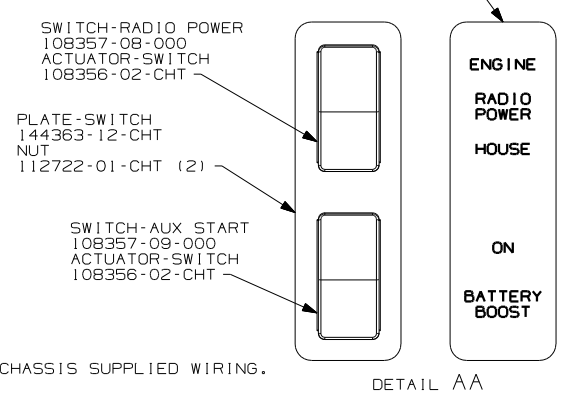
FIRST USED	
05-300 SERIES	
DO NOT SCALE DRAWING	
TITLE:	
CHASSIS ELECTRICAL BOX ASM	
SHEET 2	PART NO
	148589



- 74A RR MONITOR SYS-SUNVISOR MNTR
- 28X MIRRORS-EXTERIOR W/DEFROST
- 265 CODES/STANDARDS - CSA/CMVSS
- 1B1 CODES/STANDARDS - USA
- 16M FORD CHASSIS - 20,500# GVWR
- 16K FORD CHASSIS - 22,000# GVWR

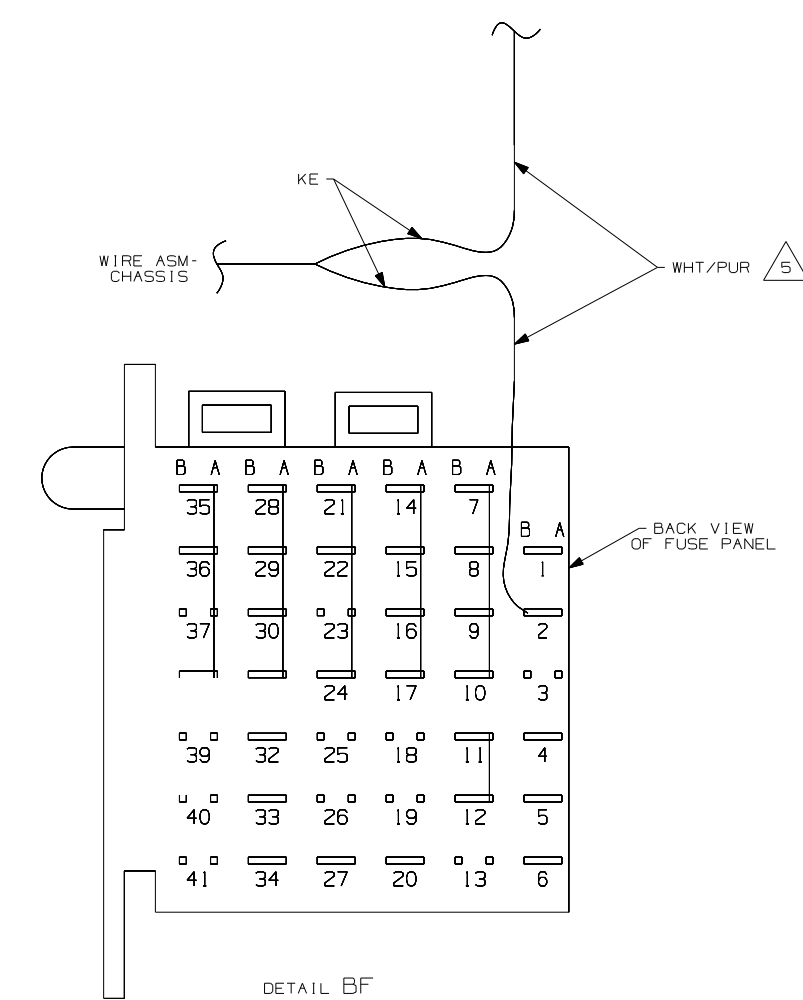
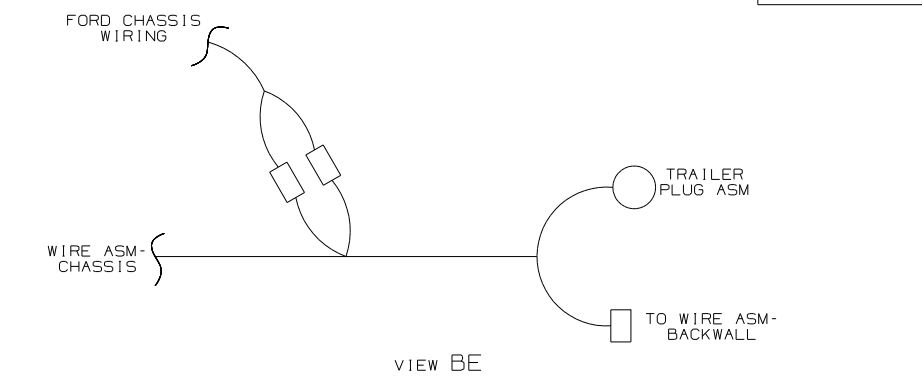
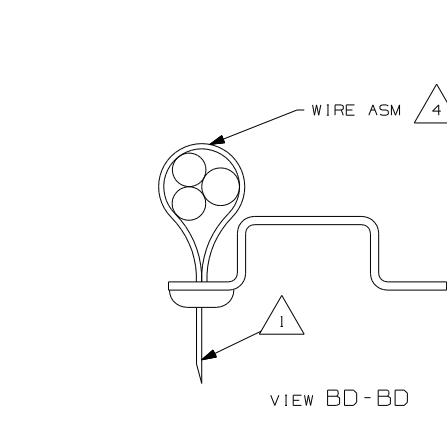
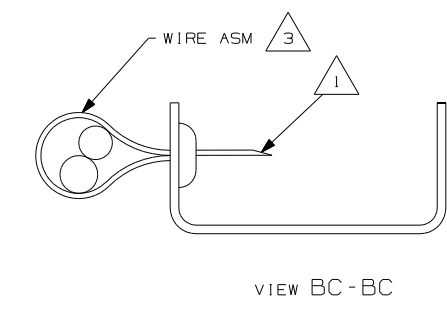
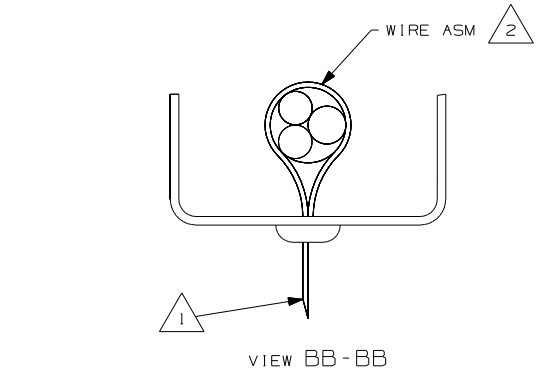
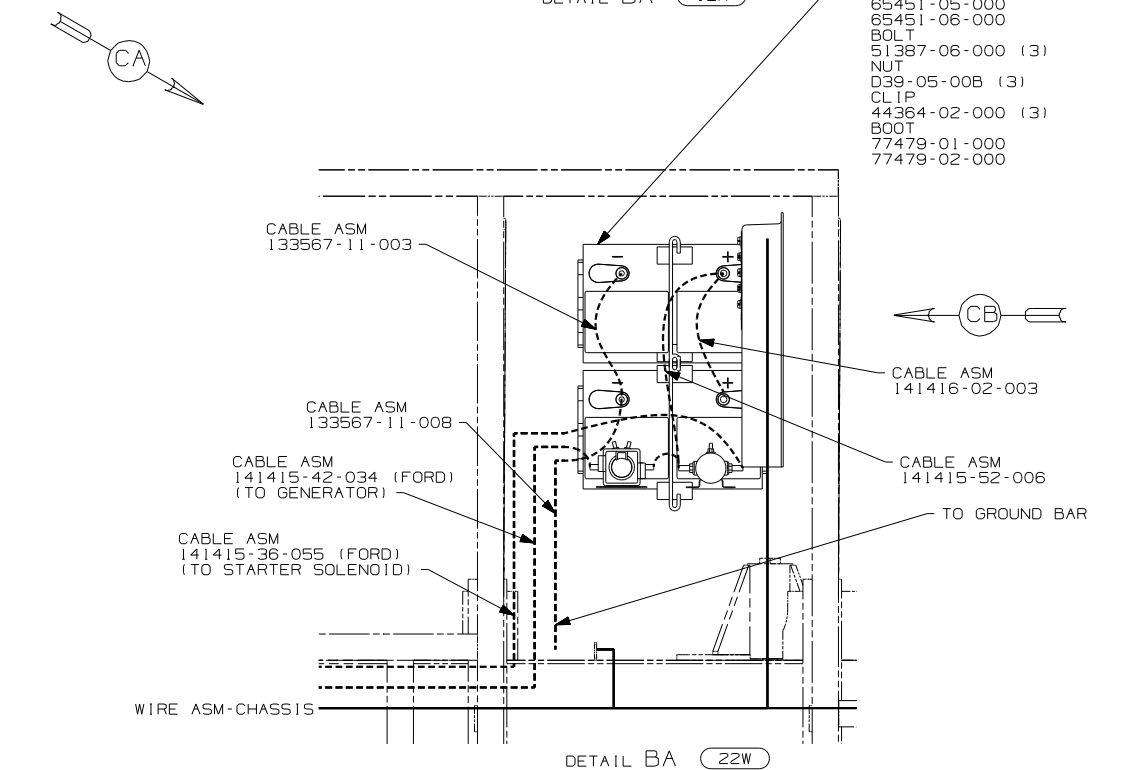
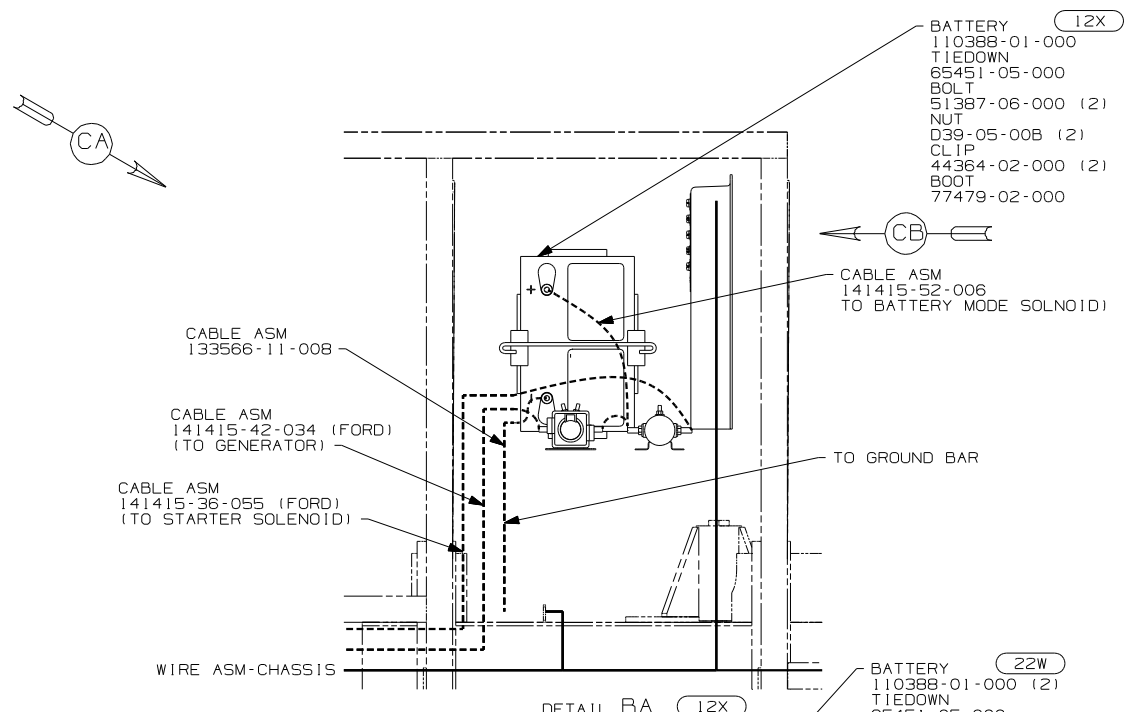
		COPYRIGHT 2004 WINNEBAGO INDUSTRIES, INC.
DTR	ORIG. DATE	
CHKR	ALL DIMENSIONS ARE IN MILLIMETERS	
P.E.		
M.E.	FIRST USED	05 322R
DSNR		
UNSPECIFIED TOLERANCES ARE:		MATERIAL:
WHOLE DIM (X)	: 1	
ONE-PLACE (X,X)	: 1.5	
TWO-PLACE (X,XX)	: 0.50	
ANGLE	: 1°	
THIRD ANGLE PROJECTION		
DO NOT SCALE DRAWING		
TITLE: WIRING INSTL-CHASSIS		
SHEET 1 of 3	PART NO	150406
REF: 146683-F 11/12/2004		

- 6. WIRES TO BE TIED INSIDE OF RAIL USING EXISTING HOLES.
- 5. WIRES TO BE TIED TO CROSSMEMBER USING EXISTING HOLES.
- 4. WIRES TO BE TIED ON TOP OF RAIL USING EXISTING HOLES.
- 3. USE WITH TIES 8343-04-000 AND 116673-01-000 APPROX. 600mm ON CENTER UNLESS OTHERWISE SPECIFIED.
- 2. SECURE CONDUIT 41953, TAB AS REQUIRED, OVER ALL WIRES IN CONTACT WITH SHARP EDGES.
- 1. LEGEND: — WINNEBAGO: - - - - - CABLE: - - - - - CHASSIS SUPPLIED WIRING.



FOR ELECTRICAL
 TORQUE
 SPECIFICATIONS
 SEE DWG NO.
 128783-01-000

FOR ELECTRICAL
 CALLOUTS
 SEE DWG NO.
 121339-01-000



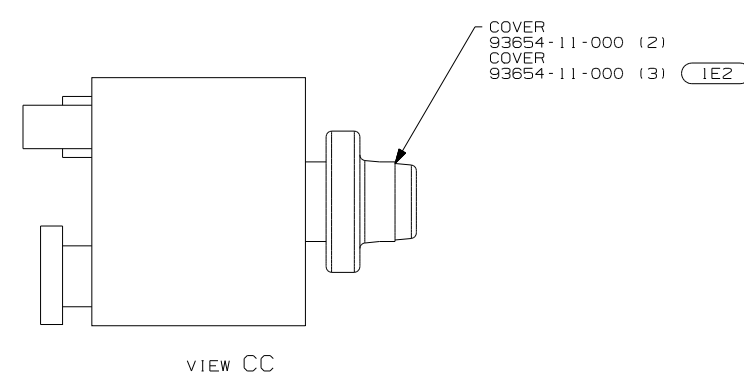
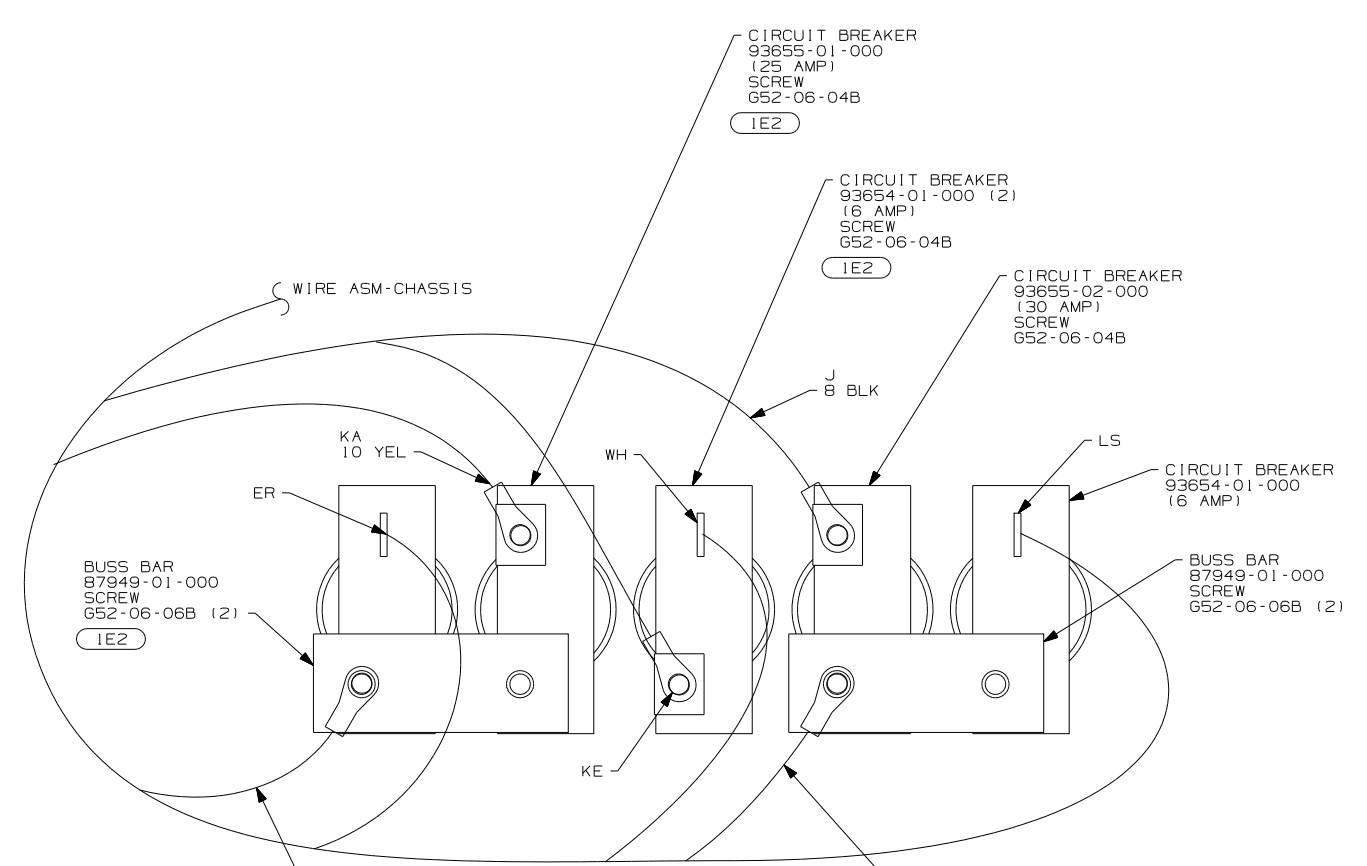
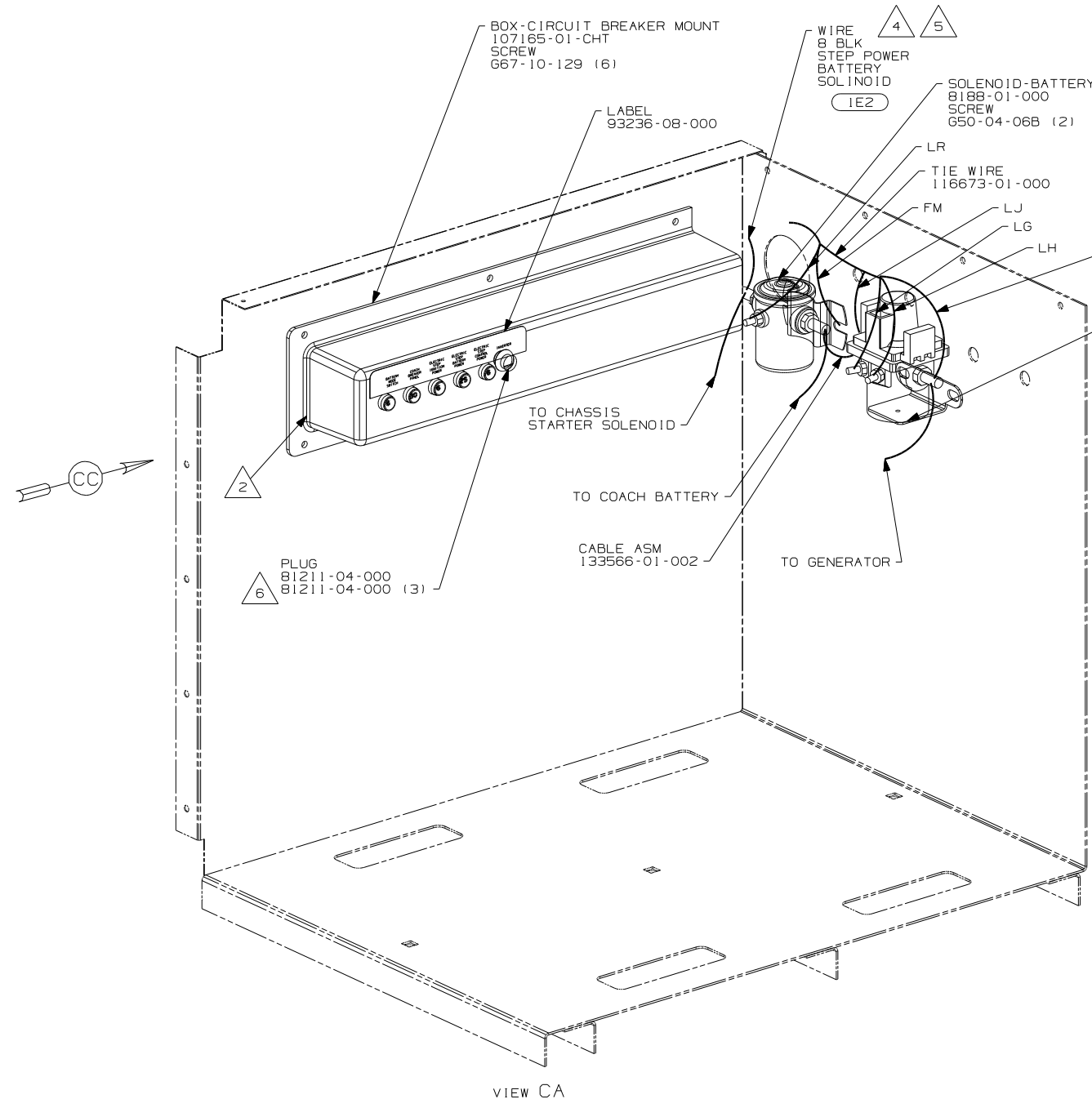
- NOTES:
- 5 CUT WIRES AND RECONNECT AS SHOWN.
 - 4 WIRES TO BE TIED TO CROSSMEMBER USING EXISTING HOLES.
 - 3 WIRES TO BE TIED ON TOP OF RAIL USING EXISTING HOLES.
 - 2 WIRES TO BE TIED INSIDE OF RAIL USING EXISTING HOLES.
 - 1 CUT OFF EXCESS END OF WIRE TIE.

FOR ELECTRICAL TORQUE SPECIFICATIONS SEE DWG NO. 128783-01-000

FOR ELECTRICAL CALLOUTS SEE DWG NO. 121339-01-000

22W BATTERY-SECOND
 12X BATTERY-ONE

FIRST USED 05 322R
 DO NOT SCALE DRAWING
 TITLE: WIRING INSTL-CHASSIS
 SHEET 2 PART NO 150406



- NOTES:
- 6 WITHOUT IE2.
 - 5 WITHOUT IE2 TIE BACK ALL UNUSED WIRES AND COVER WITH TAPE 8363-01-000.
 - 4 LEAD MARKED WITH YELLOW TAPE.
 - 3 LEAD MARKED WITH RED TAPE.
 - 2 LOCATE BOX HORIZONTALLY BY CENTERING ON HOLE IN REAR OF COMPARTMENT.
 - 1 SECURE WITH SOLENOID MOUNTING BOLT.

FOR ELECTRICAL TORQUE SPECIFICATIONS SEE DWG NO. 128783-01-000

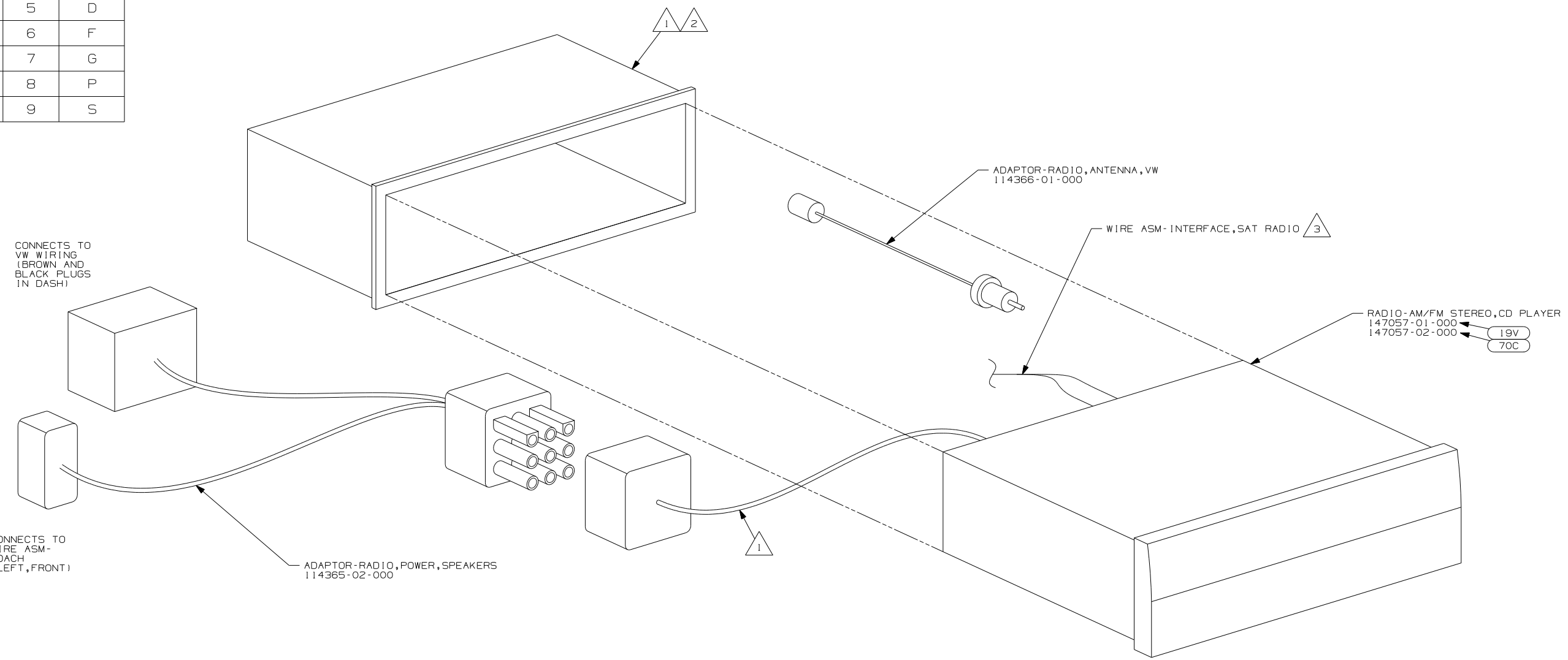
FOR ELECTRICAL CALLOUTS SEE DWG NO. 121339-01-000

IE2 ENTRANCE STEP-ELEC.

FIRST USED	05 322R
DO NOT SCALE DRAWING	
TITLE:	WIRING INSTL-CHASSIS
SHEET 3	PART NO 150406

DWG NO	SHEET	SERIES
148520-01	1	200
148520-02	2	300
148520-03	3	400
148520-04	4	700
148520-05	5	D
148520-06	6	F
148520-07	7	G
148520-08	8	P
148520-09	9	S

RELEASE	REV DATE	DWG NO
A		148520
REV ZONE	REVISION RECORD	DATE DFR-ORIG



- 70C RADIO - SATELLITE
- 19V RADIO-AM/FM STEREO CD PLAYER

WINNEBAGO COPYRIGHT 2004 WINNEBAGO INDUSTRIES, INC.

DFTR	ORIG. DATE
CHKR	ALL DIMENSIONS ARE IN MILLIMETERS
P.E.	
M.E.	FIRST USED
DSNR	05 MOTORHOMES

UNSPECIFIED TOLERANCES ARE: MATERIAL:

HOLE DIM (X)	:	
ONE-PLACE (X.X)	:	
TWO-PLACE (X.XX)	:	
ANGLE	:	

THIRD ANGLE PROJECTION

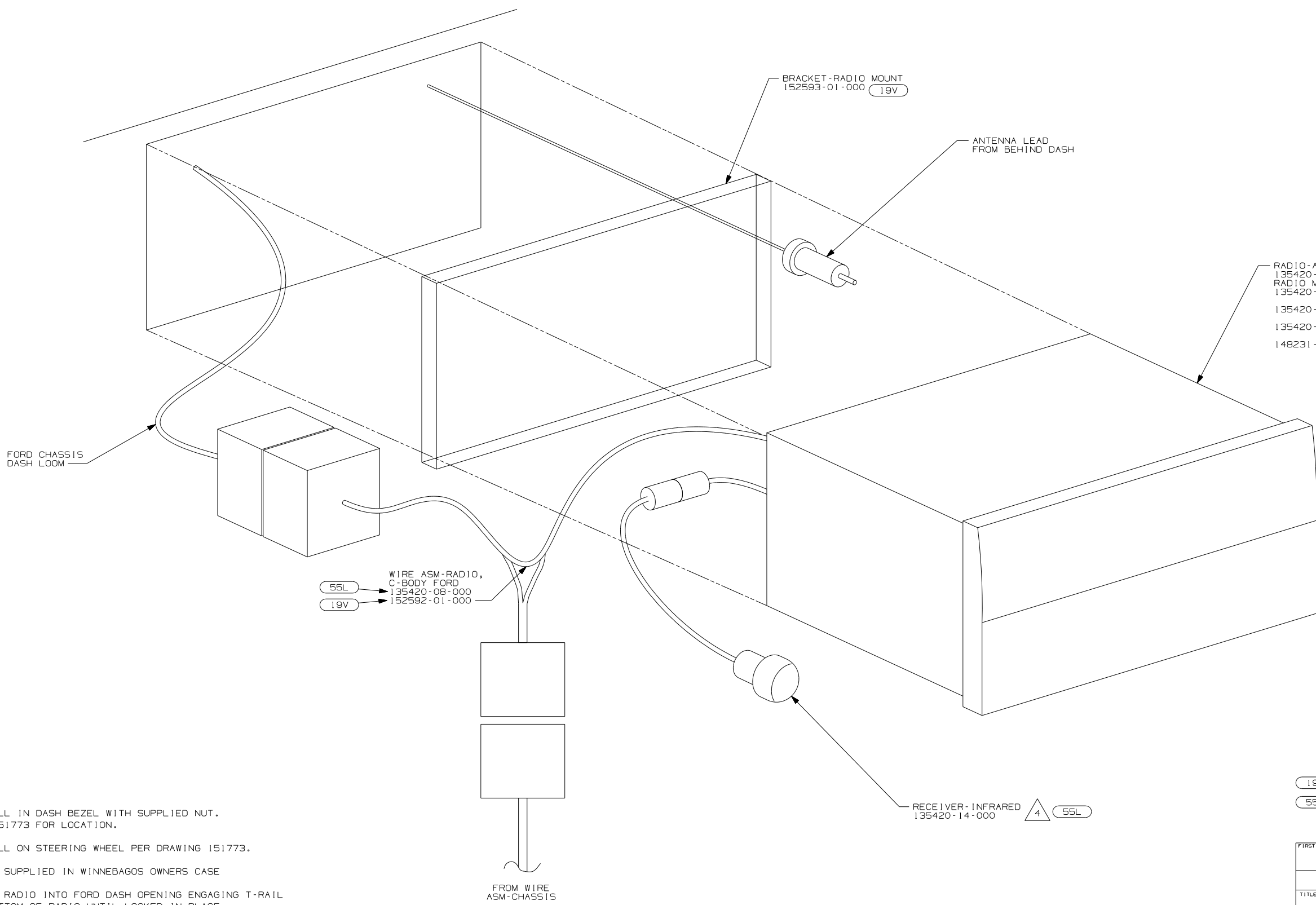
DO NOT SCALE DRAWING

TITLE: RADIO INSTL

SHEET 1 of 9 PART NO 148520

REF: 1 6/17/2005

- NOTES:
- 3 TO SATELLITE RECEIVER. SEE WIRING INSTL-FRONT END FOR ADDITIONAL INFORMATION.
 - 2 BEND TABS ON ALL 4 SIDES TO SECURE MOUNTING BRACKET TO DASH OPENING.
 - 1 SUPPLIED WITH RADIO



- 55L RADIO-AM/FM CASS/CD COMBO
135420-13-000
- 55L RADIO MOUNTING KIT, FORD 1.6
135420-05-000
- 1 55L
- 2 55L
- 3 55L
- 19V

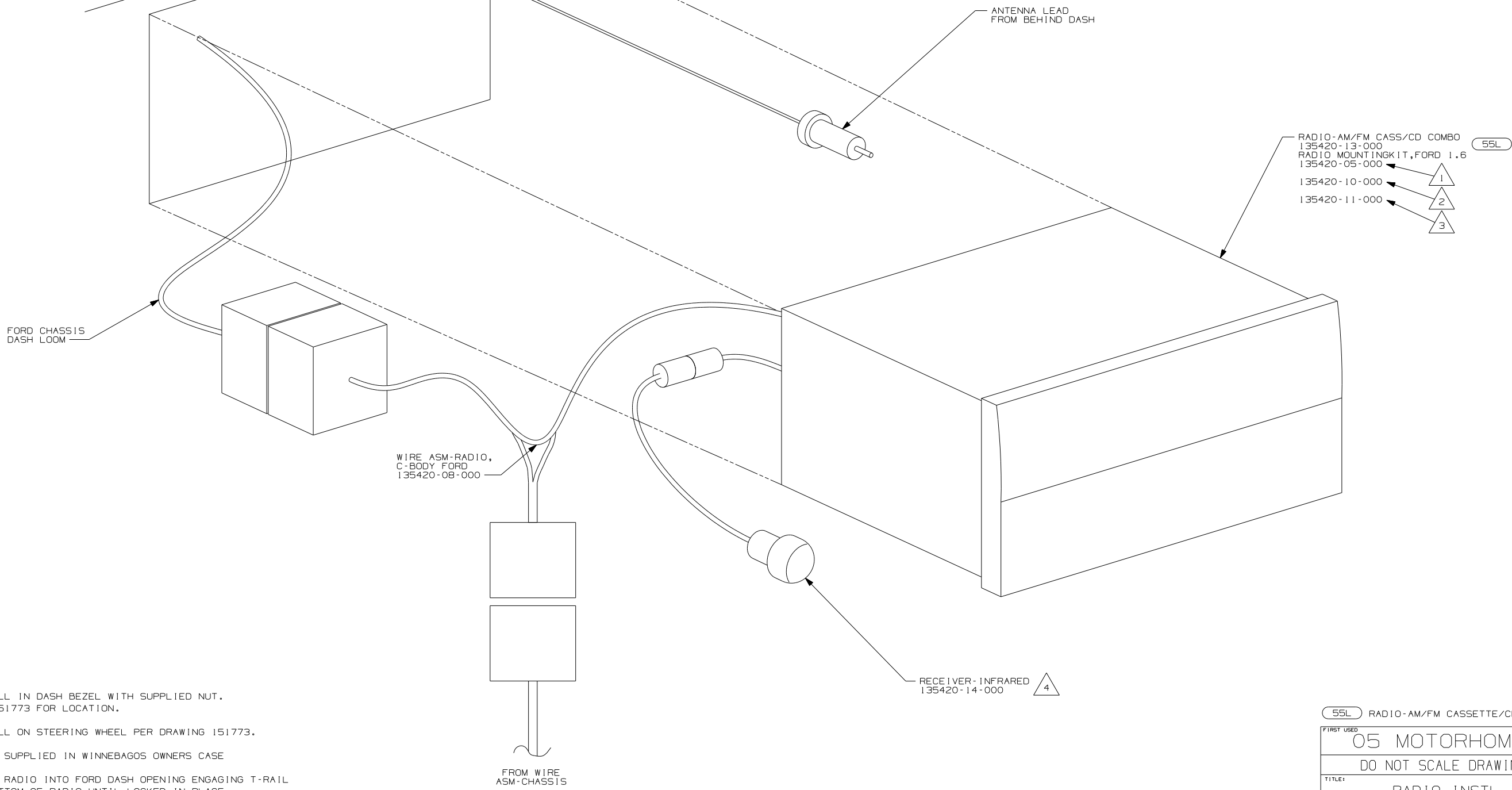
- 55L WIRE ASM-RADIO, C-BODY FORD
135420-08-000
- 19V 152592-01-000

RECEIVER- INFRARED
135420-14-000 4 55L

- 19V RADIO-AM/FM STEREO CD PLAYER
- 55L RADIO-AM/FM CASSETTE/CD

- NOTES:
- 4 INSTALL IN DASH BEZEL WITH SUPPLIED NUT. SEE 151773 FOR LOCATION.
 - 3 INSTALL ON STEERING WHEEL PER DRAWING 151773.
 - 2 TO BE SUPPLIED IN WINNEBAGOS OWNERS CASE
 - 1 SLIDE RADIO INTO FORD DASH OPENING ENGAGING T-RAIL ON BOTTOM OF RADIO UNTIL LOCKED IN PLACE.

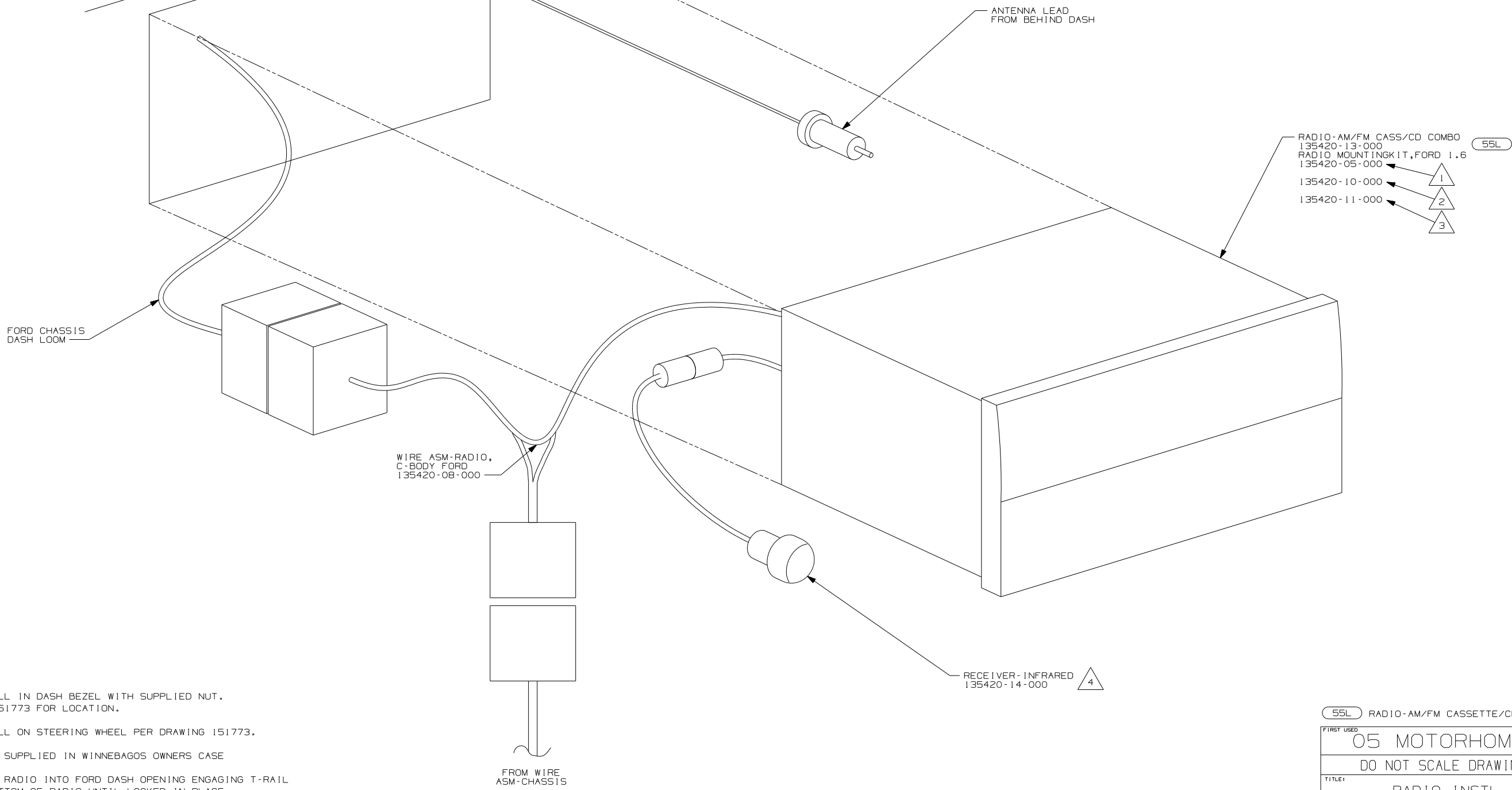
FIRST USED	
05 MOTORHOMES	
DO NOT SCALE DRAWING	
TITLE: RADIO INSTL	
SHEET 2	PART NO 148520



- 55L RADIO-AM/FM CASSETTE/CD COMBO 135420-13-000
- 1 RADIO MOUNTING KIT, FORD 1.6 135420-05-000
- 2 135420-10-000
- 3 135420-11-000

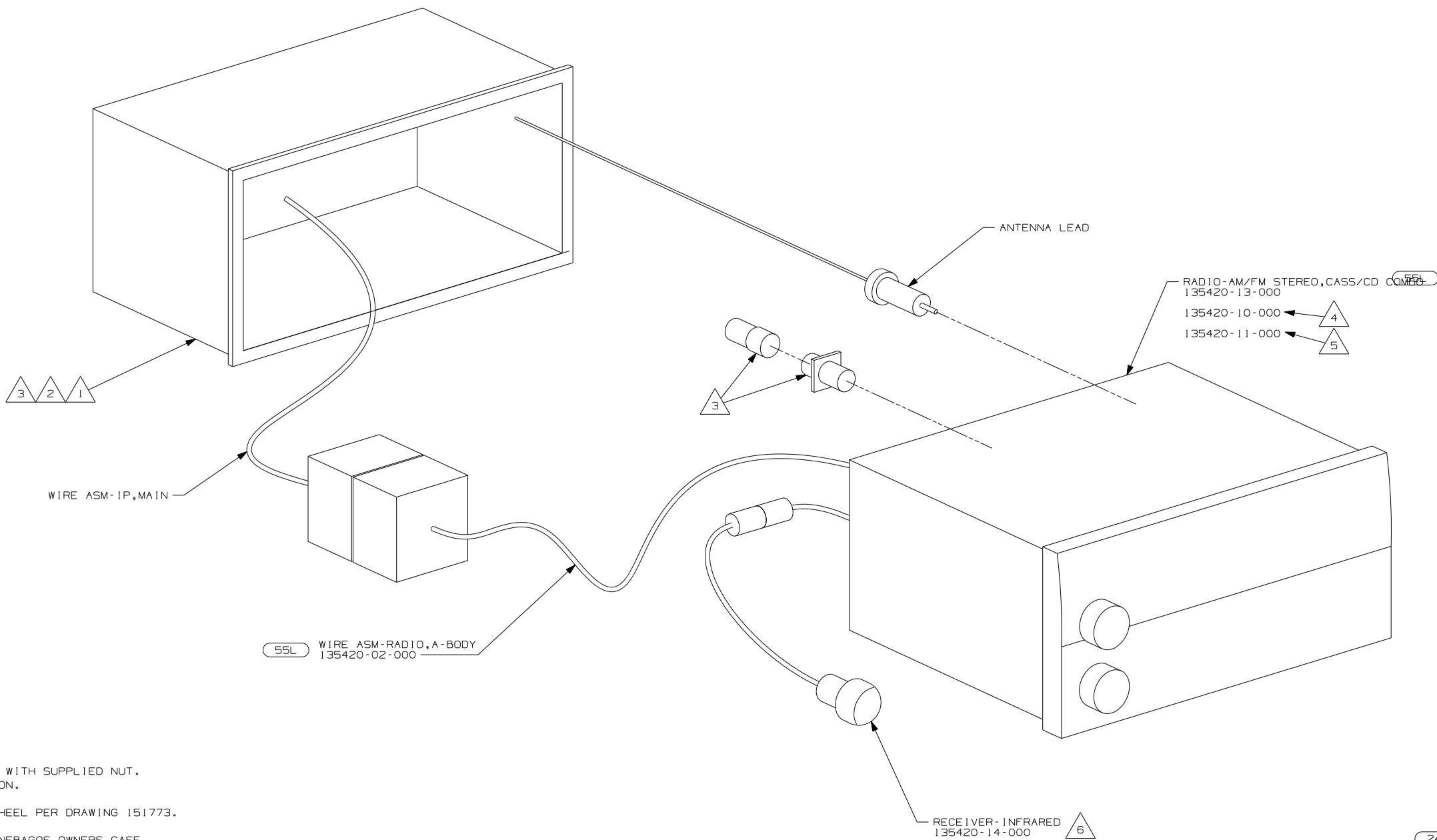
- NOTES:
- 4 INSTALL IN DASH BEZEL WITH SUPPLIED NUT. SEE 151773 FOR LOCATION.
 - 3 INSTALL ON STEERING WHEEL PER DRAWING 151773.
 - 2 TO BE SUPPLIED IN WINNEBAGOS OWNERS CASE
 - 1 SLIDE RADIO INTO FORD DASH OPENING ENGAGING T-RAIL ON BOTTOM OF RADIO UNTIL LOCKED IN PLACE.

55L RADIO-AM/FM CASSETTE/CD	
FIRST USED	
05 MOTORHOMES	
DO NOT SCALE DRAWING	
TITLE: RADIO INSTL	
SHEET 3	PART NO 148520



- NOTES:
- 4 INSTALL IN DASH BEZEL WITH SUPPLIED NUT. SEE 151773 FOR LOCATION.
 - 3 INSTALL ON STEERING WHEEL PER DRAWING 151773.
 - 2 TO BE SUPPLIED IN WINNEBAGOS OWNERS CASE
 - 1 SLIDE RADIO INTO FORD DASH OPENING ENGAGING T-RAIL ON BOTTOM OF RADIO UNTIL LOCKED IN PLACE.

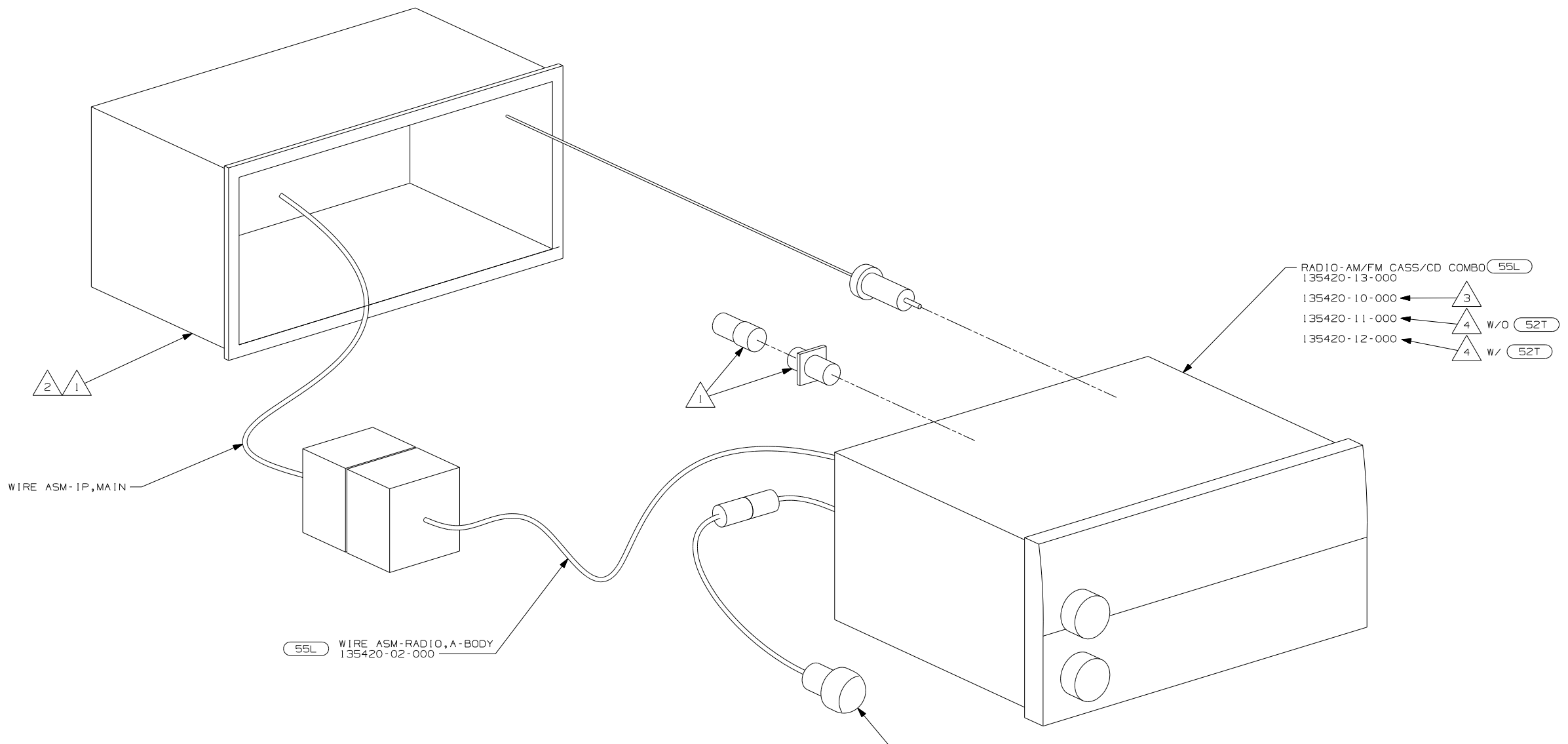
55L RADIO-AM/FM CASSETTE/CD	
FIRST USED	
05 MOTORHOMES	
DO NOT SCALE DRAWING	
TITLE:	
RADIO INSTL	
SHEET 4	PART NO 148520



- △ 6 INSTALL IN DASH BEZEL WITH SUPPLIED NUT. SEE 151773 FOR LOCATION.
- △ 5 INSTALL ON STEERING WHEEL PER DRAWING 151773.
- △ 4 TO BE SUPPLIED IN WINNEBAGOS OWNERS CASE
- △ 3 SUPPLIED WITH MOUNTING KIT 135420-07-000 (55L) ONLY.
- △ 2 BEND TABS ON ALL 4 SIDES TO SECURE MOUNTING BRACKET TO DASH OPENING.
- △ 1 SUPPLIED WITH RADIO (24N) ONLY.

NOTES:

(24N)	RADIO-AM/FM/CASSETTE
(55L)	RADIO-AM/FM CASSETTE/CD
FIRST USED	
05 MOTORHOMES	
DO NOT SCALE DRAWING	
TITLE:	
RADIO INSTL	
SHEET 5	PART NO 148520



WIRE ASM-IP,MAIN

55L WIRE ASM-RADIO,A-BODY
135420-02-000

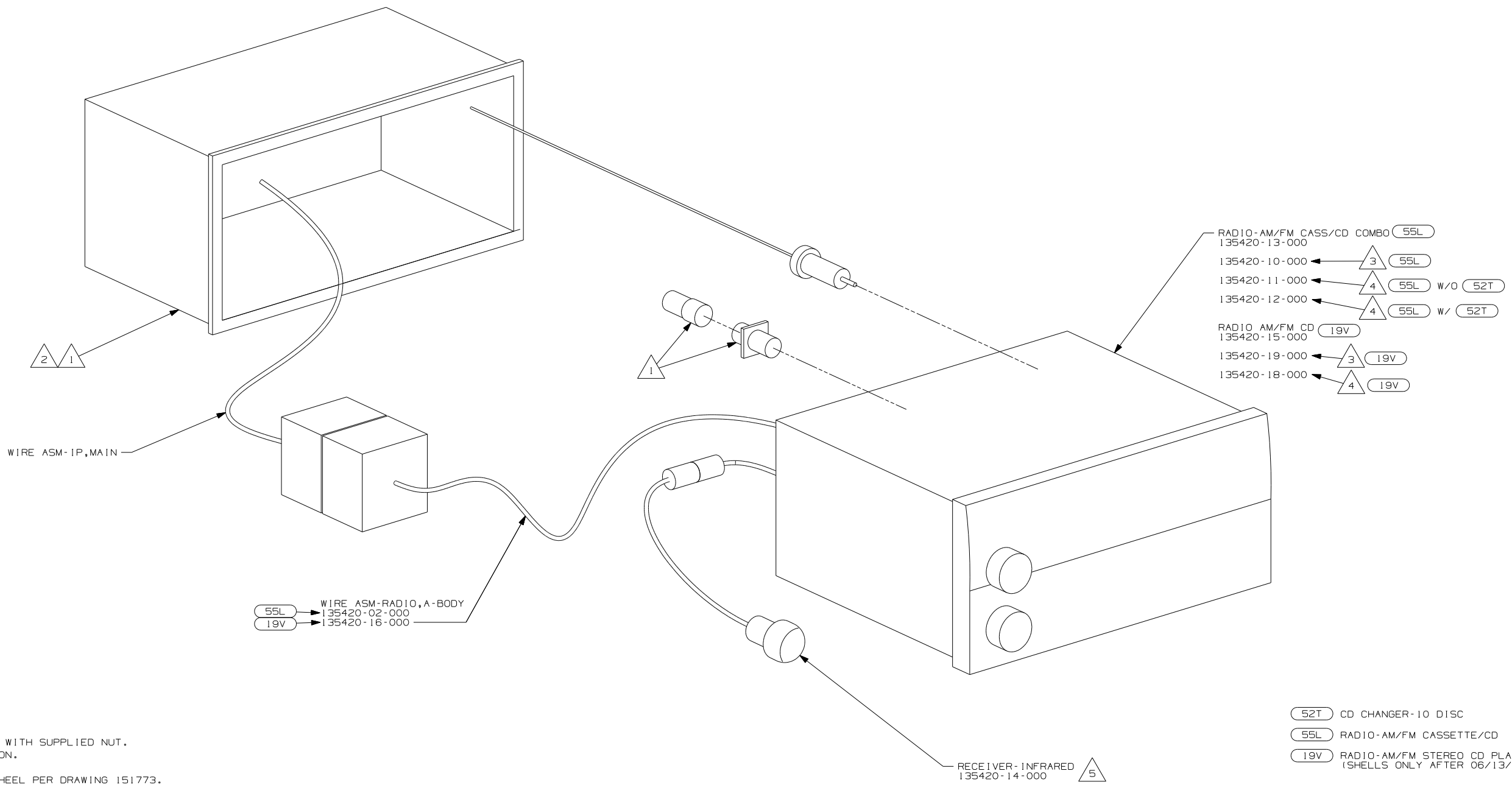
RADIO-AM/FM CASS/CD COMBO (55L)
135420-13-000
135420-10-000 ← 3
135420-11-000 ← 4 w/o 52T
135420-12-000 ← 4 w/ 52T

RECEIVER-INFRARED (5)
135420-14-000

(52T) CD CHANGER-10 DISC
(55L) RADIO-AM/FM CASSETTE/CD

- NOTES:
- 5 INSTALL IN DASH BEZEL WITH SUPPLIED NUT. SEE 151773 FOR LOCATION.
 - 4 INSTALL ON STEERING WHEEL PER DRAWING 151773.
 - 3 TO BE SUPPLIED IN WINNEBAGOS OWNERS CASE
 - 2 BEND TABS ON ALL 4 SIDES TO SECURE MOUNTING BRACKET TO DASH OPENING.
 - 1 SUPPLIED WITH MOUNTING KIT 135420-07-000.

FIRST USED	
05 MOTORHOMES	
DO NOT SCALE DRAWING	
TITLE: RADIO INSTL	
SHEET 6	PART NO 148520



- RADIO-AM/FM CASS/CD COMBO (55L)
135420-13-000
- 135420-10-000 ← (3) (55L)
- 135420-11-000 ← (4) (55L) w/o (52T)
- 135420-12-000 ← (4) (55L) w/ (52T)
- RADIO AM/FM CD (19V)
135420-15-000
- 135420-19-000 ← (3) (19V)
- 135420-18-000 ← (4) (19V)

- (55L) → WIRE ASM-RADIO, A-BODY
135420-02-000
- (19V) → 135420-16-000

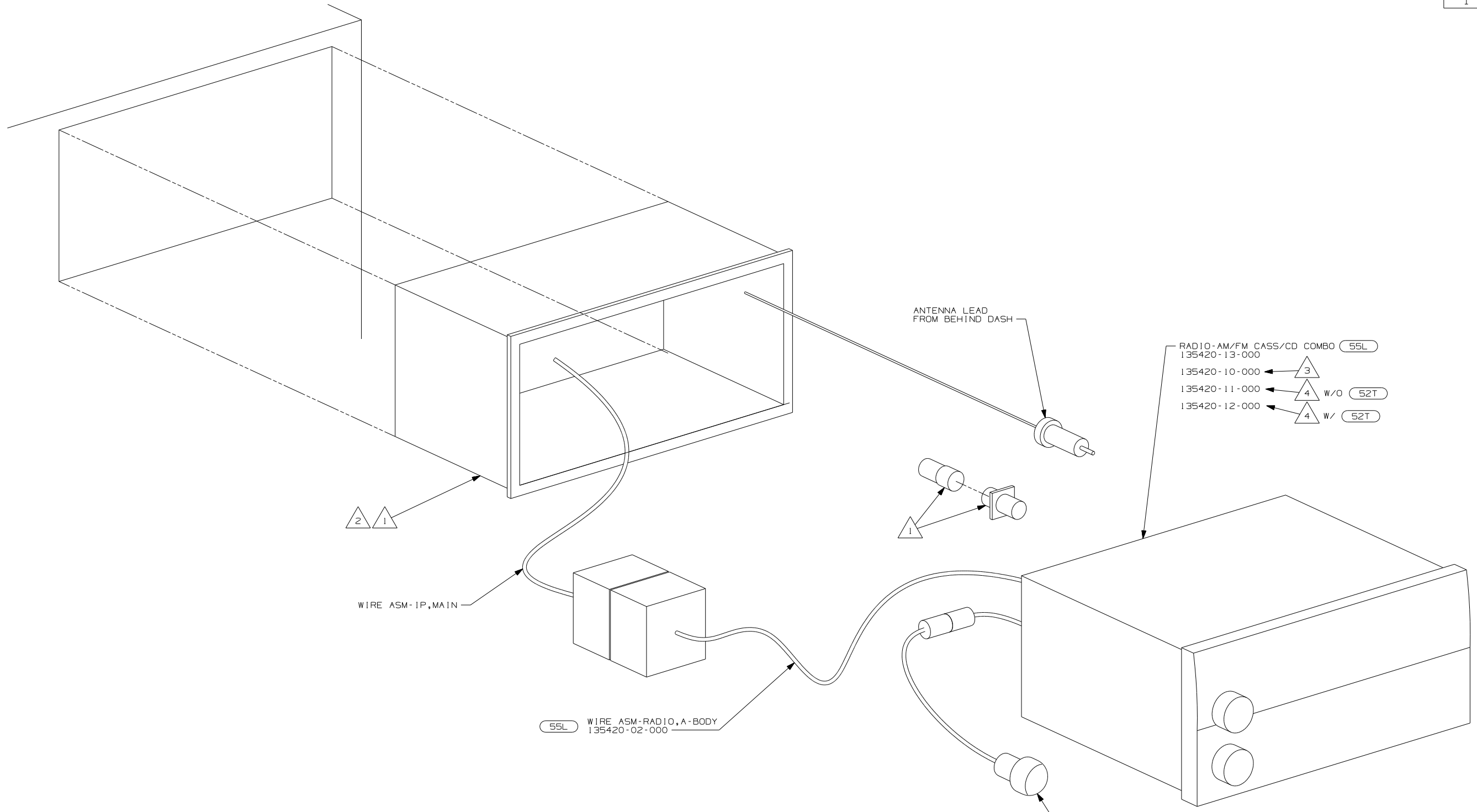
WIRE ASM-IP,MAIN

RECEIVER-INFRARED
135420-14-000 (5)

- (52T) CD CHANGER-10 DISC
- (55L) RADIO-AM/FM CASSETTE/CD
- (19V) RADIO-AM/FM STEREO CD PLAYER
(SHELLS ONLY AFTER 06/13/05)

- NOTES:
- (5) INSTALL IN DASH BEZEL WITH SUPPLIED NUT.
SEE 151773 FOR LOCATION.
 - (4) INSTALL ON STEERING WHEEL PER DRAWING 151773.
 - (3) TO BE SUPPLIED IN WINNEBAGOS OWNERS CASE
 - (2) BEND TABS ON ALL 4 SIDES TO SECURE
MOUNTING BRACKET TO DASH OPENING.
 - (1) SUPPLIED WITH MOUNTING KIT 135420-07-000.

FIRST USED	
05 MOTORHOMES	
DO NOT SCALE DRAWING	
TITLE:	
RADIO INSTL	
SHEET 7	PART NO 148520



- 55L RADIO-AM/FM CASS/CD COMBO 135420-13-000
- 3 135420-10-000
- 4 135420-11-000 W/O 52T
- 4 135420-12-000 W/ 52T

2 1

WIRE ASM-IP, MAIN

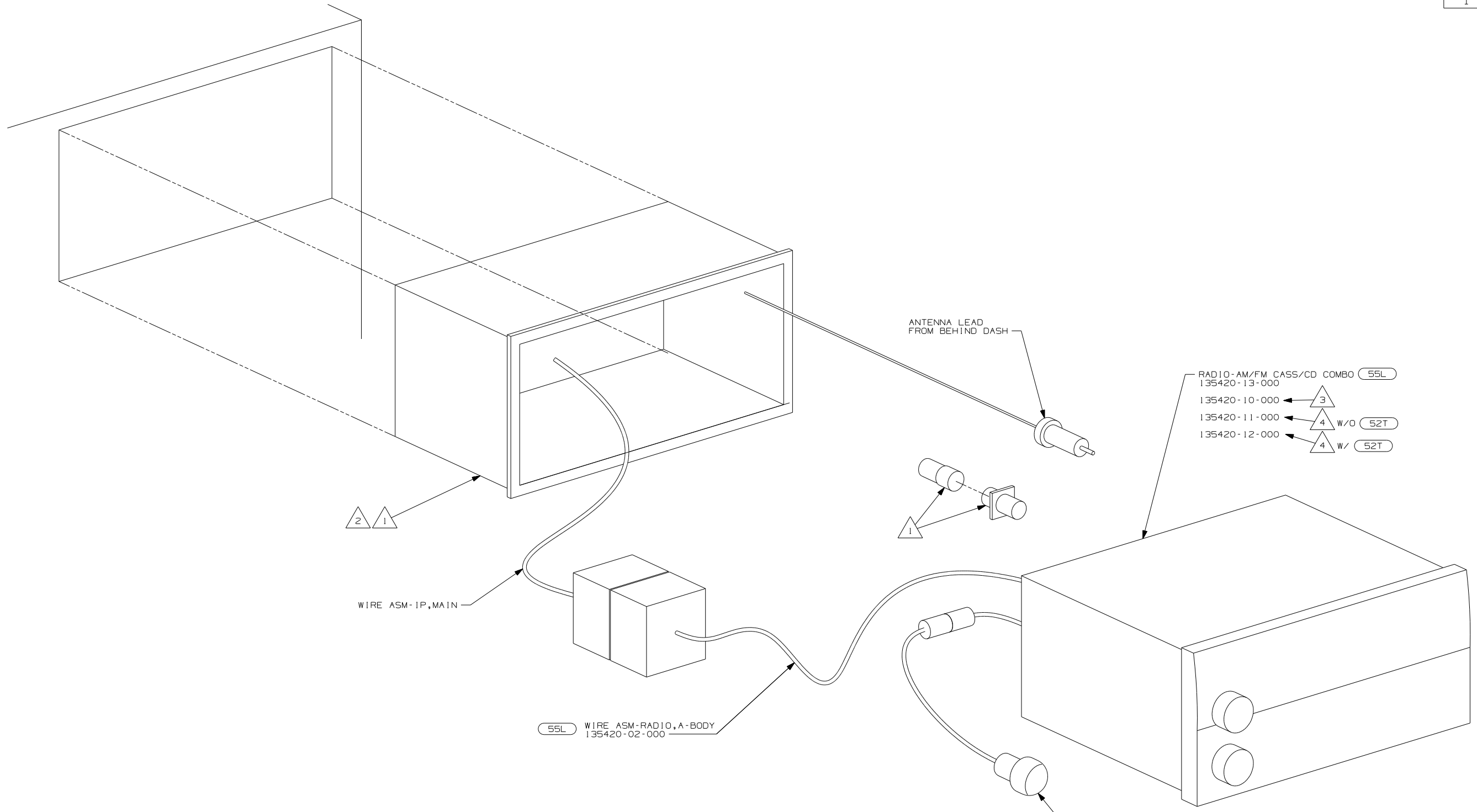
55L WIRE ASM-RADIO, A-BODY 135420-02-000

RECEIVER-INFRARED 135420-14-000 5

52T CD CHANGER-10 DISC
55L RADIO-AM/FM CASSETTE/CD

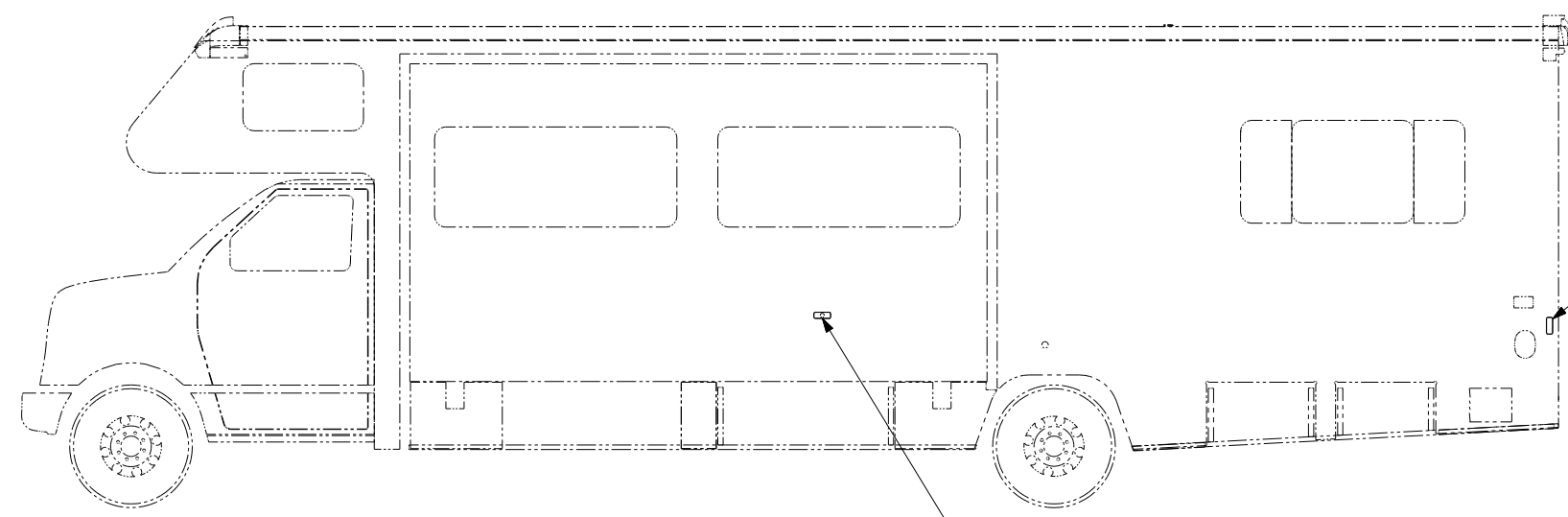
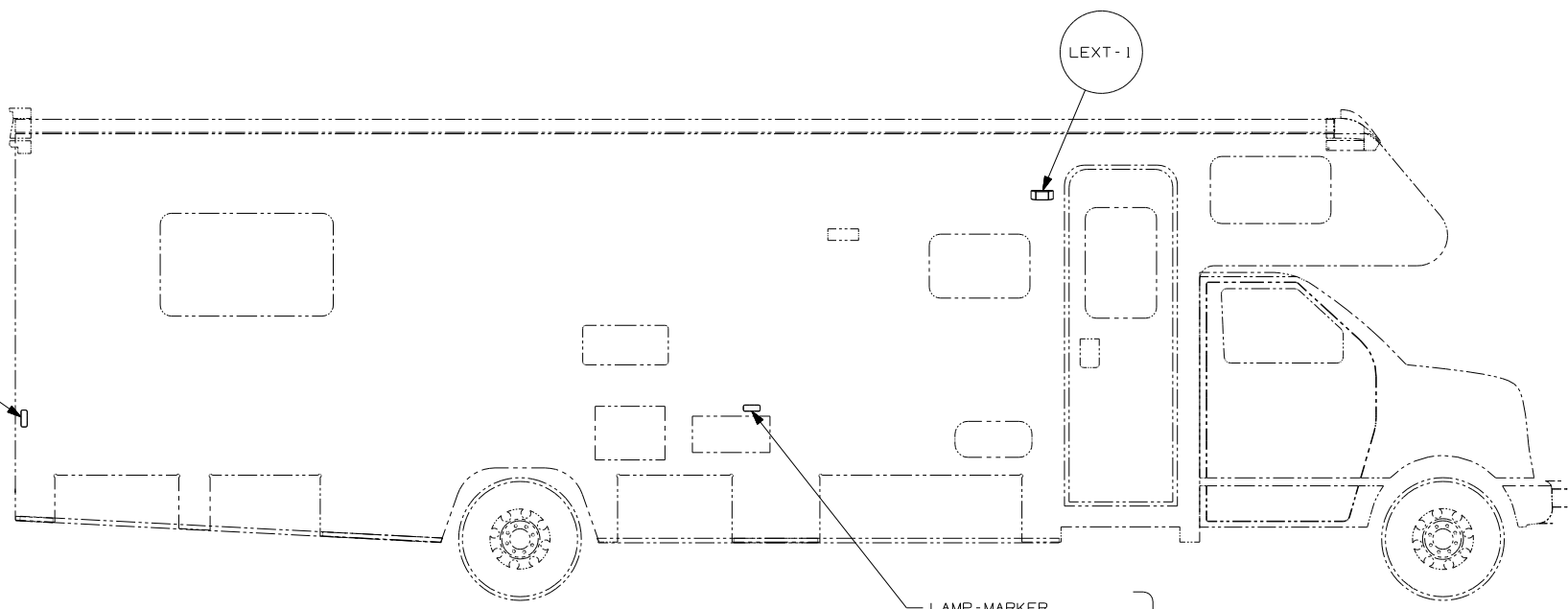
- NOTES:
- 5 INSTALL IN DASH BEZEL WITH SUPPLIED NUT. SEE 151773 FOR LOCATION.
 - 4 INSTALL ON STEERING WHEEL PER DRAWING 151773.
 - 3 TO BE SUPPLIED IN WINNEBAGOS OWNERS CASE
 - 2 BEND TABS ON ALL 4 SIDES TO SECURE MOUNTING BRACKET TO DASH OPENING.
 - 1 SUPPLIED WITH MOUNTING KIT 135420-07-000.

FIRST USED	
05 MOTORHOMES	
DO NOT SCALE DRAWING	
TITLE: RADIO INSTL	
SHEET 8	PART NO 148520



- NOTES:
- 5 INSTALL IN DASH BEZEL WITH SUPPLIED NUT. SEE 151773 FOR LOCATION.
 - 4 INSTALL ON STEERING WHEEL PER DRAWING 151773.
 - 3 TO BE SUPPLIED IN WINNEBAGOS OWNERS CASE
 - 2 BEND TABS ON ALL 4 SIDES TO SECURE MOUNTING BRACKET TO DASH OPENING.
 - 1 SUPPLIED WITH MOUNTING KIT 135420-07-000.

52T	CD CHANGER-10 DISC
55L	RADIO-AM/FM CASSETTE/CD
FIRST USED	
05 MOTORHOMES	
DO NOT SCALE DRAWING	
TITLE:	
RADIO INSTL	
SHEET 9	PART NO 148520



265 CODES/STANDARDS-CSA/CMVSS
1B1 CODES/STANDARDS USA
1B1 265



DFTR	ORIG. DATE
CHKR	ALL DIMENSIONS ARE IN MILLIMETERS
P.E.	
M.E.	FIRST USED
DSNR	05 300 SERIES
UNSPECIFIED TOLERANCES ARE:	MATERIAL:
HOLE DIM (X) :	
ONE-PLACE (X.X) :	
TWO-PLACE (X.XX) :	
ANGLE :	
THIRD ANGLE PROJECTION	

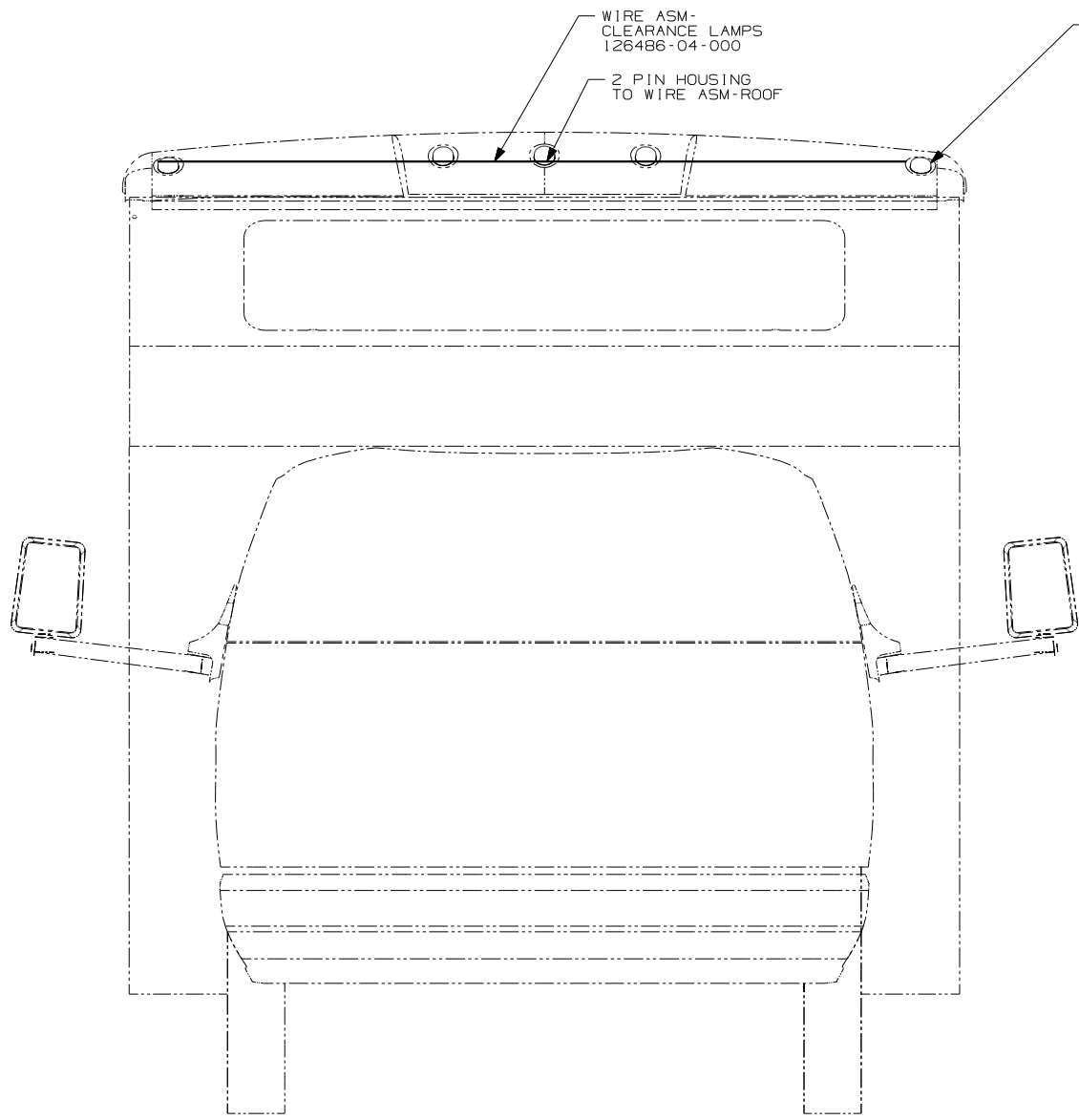
DO NOT SCALE DRAWING
TITLE: WIRING INSTL-EXTERIOR LAMPS
SHEET 1 OF 2 PART NO 148499

FOR ELECTRICAL TORQUE SPECIFICATIONS SEE DWG NO. 128783-01-000

FOR ELECTRICAL CALLOUTS SEE DWG NO. 121339-01-000

2 USED ONLY WITH 331C, 331T, 331SC, 331ST & 332G.
1 ON 329B, COVER WIRES WITH TAPE 8363-01-000 AFTER CONNECTIONS ARE MADE.

NOTES:

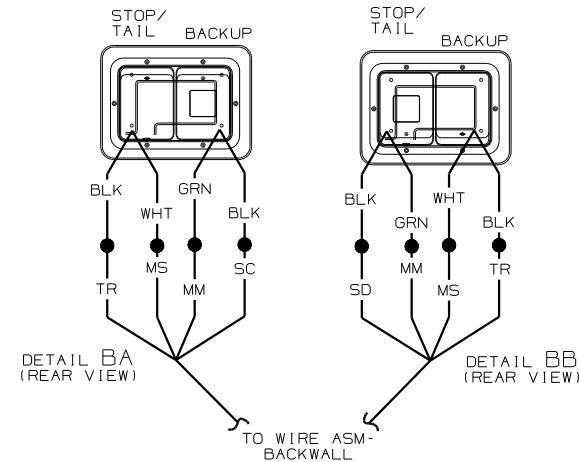
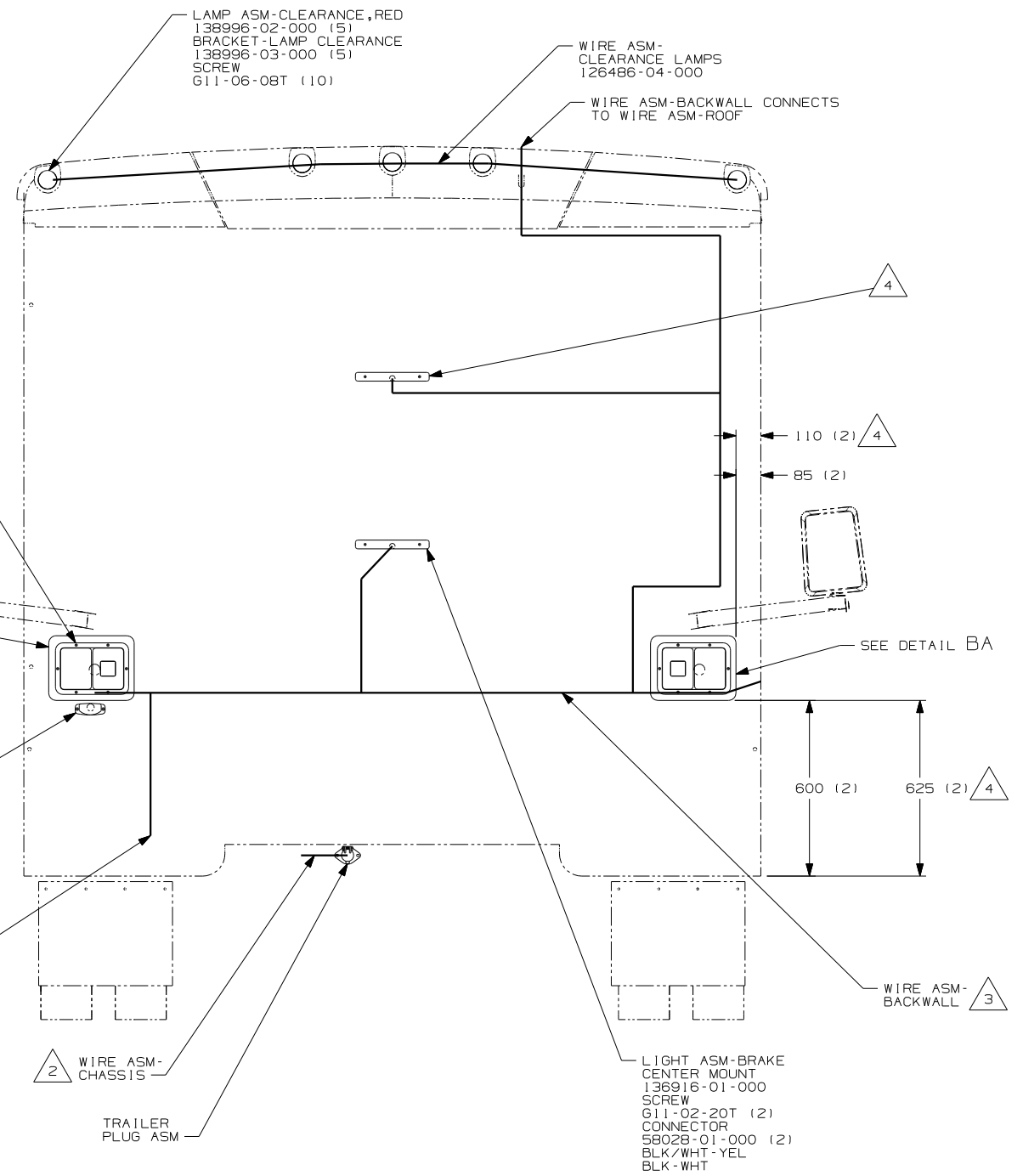


LAMP ASM-CLEARANCE, AMBER
138996-01-000 (5)
BRACKET-LAMP CLEARANCE
138996-03-000 (5)
SCREW
G11-06-08T (EXT) (10)

TAILLAMP ASM-
81638-01-000 (2)
SCREW
G11-08-12T (16)
POD TAILLAMP
103355-02-CHT
SCREW
G67-10-129 (8)
CONNECTOR
58028-01-000
(8)
SEALER-TAPE
6964-21-000 (3,4)

BRACKET-LICENSE
66432-03-000
SCREW
G67-10-129 (2)
LIGHT-LICENSE
66432-02-000
SCREW
G39-08-12T (EXT) (2)
CONNECTOR
58028-01-000 (2)

6 PIN HOUSING
TO WIRE ASM-
TAILLAMP EXTENSION



- 4 LIGHT ASM IS MOUNTED IN THIS LOCATION ON THE 326A.
- 3 LOCATED IN BACKWALL ASSEMBLY
- 2 SECURE WIRE BELOW COACH WITH CLAMP 10495-01-000 AND SCREW G67-10-12B.

1. CONNECTOR-PLUG, TRAILER 113589-01-000 TO BE SUPPLIED LOOSE IN COACH WITH TRAILER TOW PACKAGE.

NOTES:

265 CODES/STANDARDS-CSA/CMVSS

1B1 CODES/STANDARDS USA

1B1 265

FIRST USED
05 300 SERIES

DO NOT SCALE DRAWING

TITLE:
WIRING INSTL-EXTERIOR LAMPS

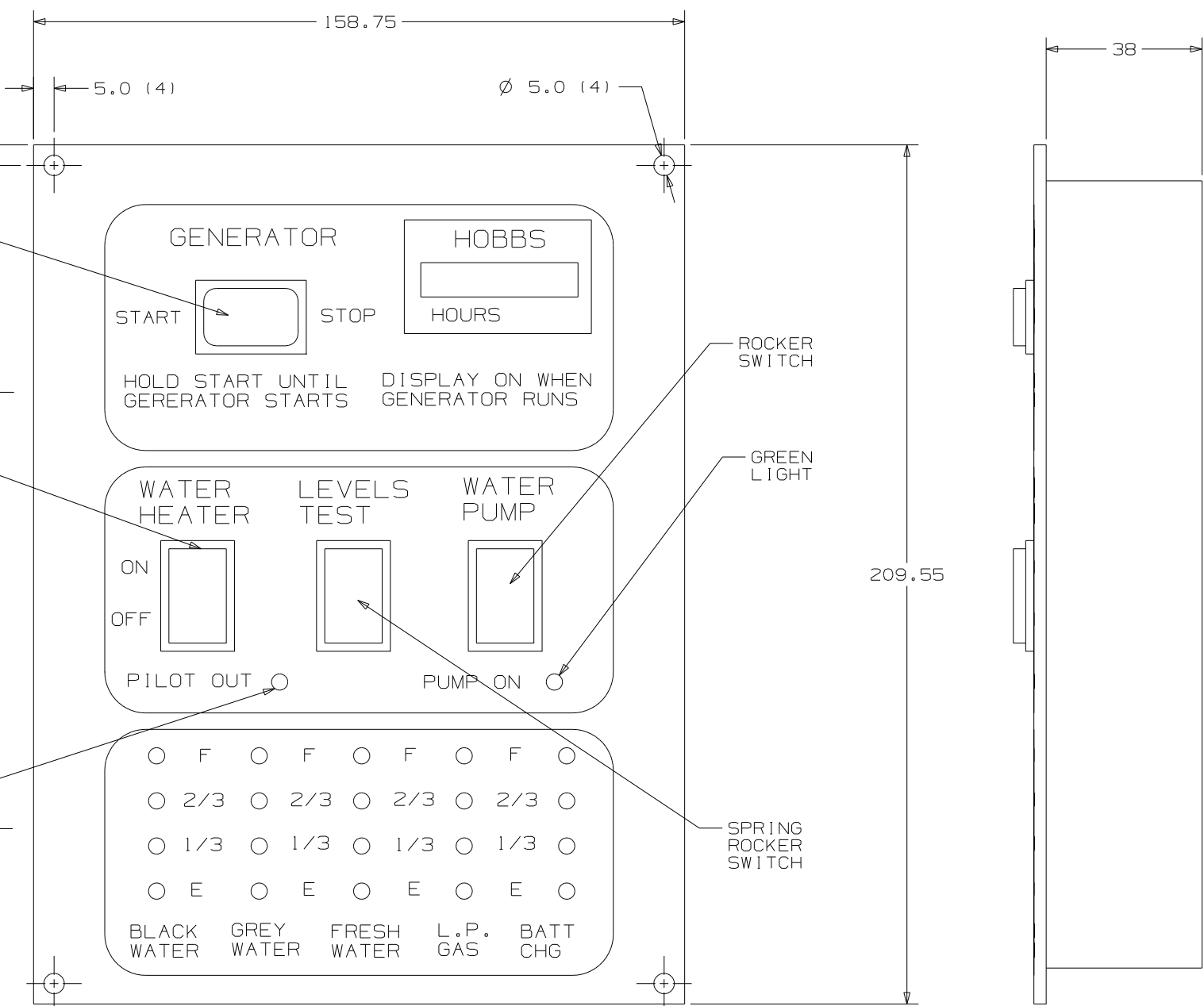
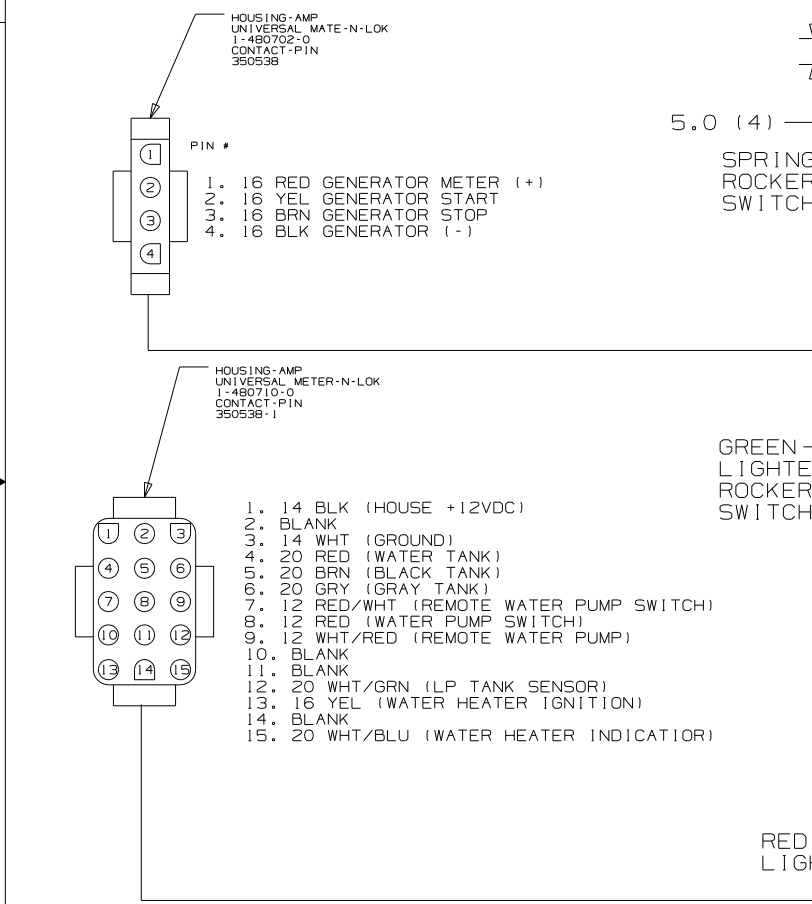
SHEET 2 PART NO 148499

FOR ELECTRICAL TORQUE SPECIFICATIONS SEE DWG NO. 128783-01-000

FOR ELECTRICAL CALLOUTS SEE DWG NO. 121339-01-000

DWG NO		SHEET	WEIGHT (LBS.)
134940-01	W/GEN	1	8.90
134940-02	W/O GEN	2	-
134940-03	SWITCH, METER, HARNESS	---	-
134940-04	W/G SOLAR	3	-
134940-05	W/GEN SWIT	4	-
134940-06	W/GEN/SEN	5,6	-
134940-07	W/O GEN/SE	7,8	-
134940-08	W/G SOL/SE	9,10	-
134940-09	W/G SW/SEN	11,12	-

RELEASE	REV DATE	DWG NO	134940
REV ZONE	REVISION RECORD	DATE	DFTR-ORIG



- NOTES:
1. SUGGESTED VENDOR: VENTLINE.
 2. BLACK PANEL WITH WHTIE GRAPHICS.
 3. LETTERS ON MAIN HEADING TO BE 5MM HIGH.
 4. CUTOUT 130 X 192.
 5. SWITCH RATING SHALL BE EMBOSSED ON THE SIDE OF THE 12V SWTICHES.

WINNEBAGO COPYRIGHT 2004 WINNEBAGO INDUSTRIES, INC.

DFTR	ORIG. DATE
CHKR	ALL DIMENSIONS ARE IN MILLIMETERS
P.E.	FIRST USED
M.E.	300 & F SER
DSNR	

UNSPECIFIED TOLERANCES ARE: MATERIAL:

HOLE DIM (X)	: 1
ONE-PLACE (X.X)	: 1.5
TWO-PLACE (X.XX)	: 0.50
ANGLE	: 1°

THIRD ANGLE PROJECTION

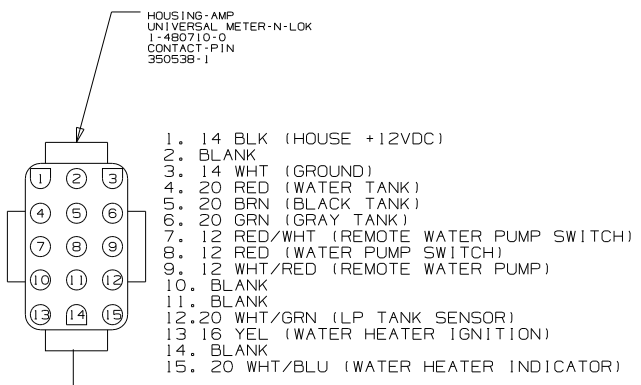
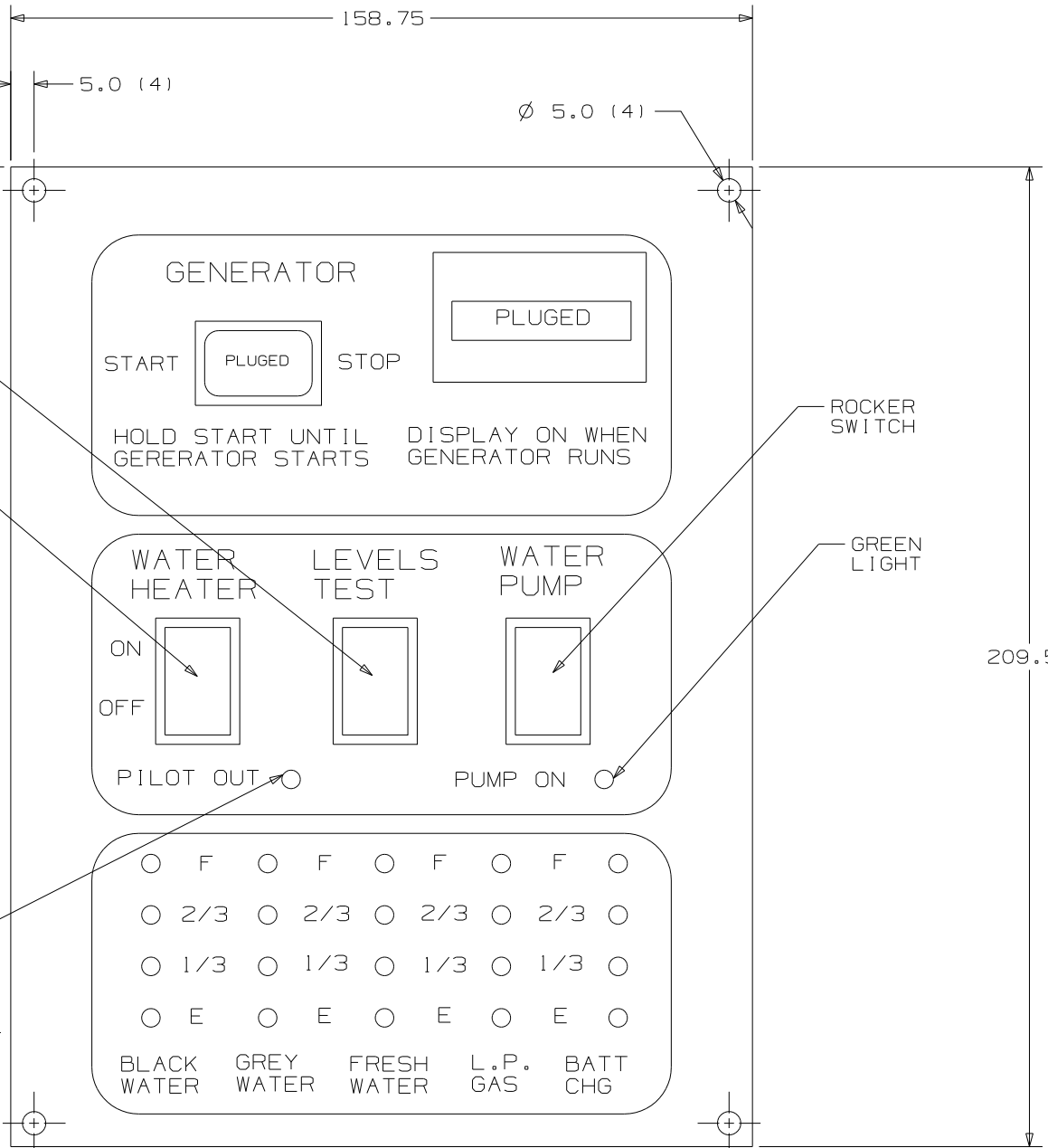
DO NOT SCALE DRAWING

TITLE: PANEL-MONITOR 2-TANK

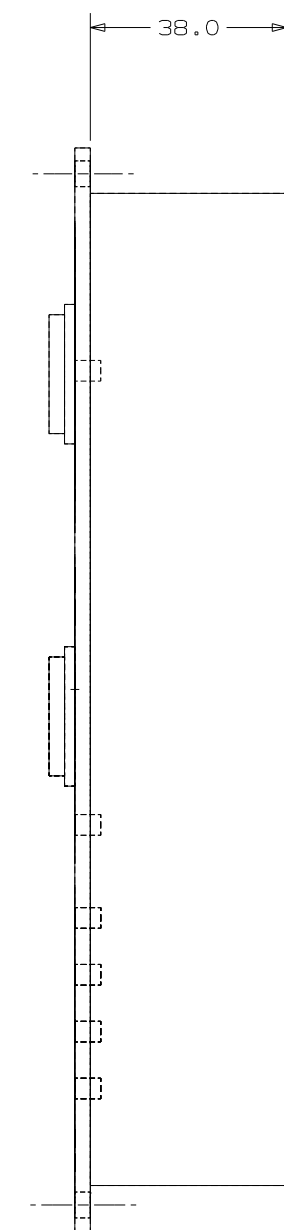
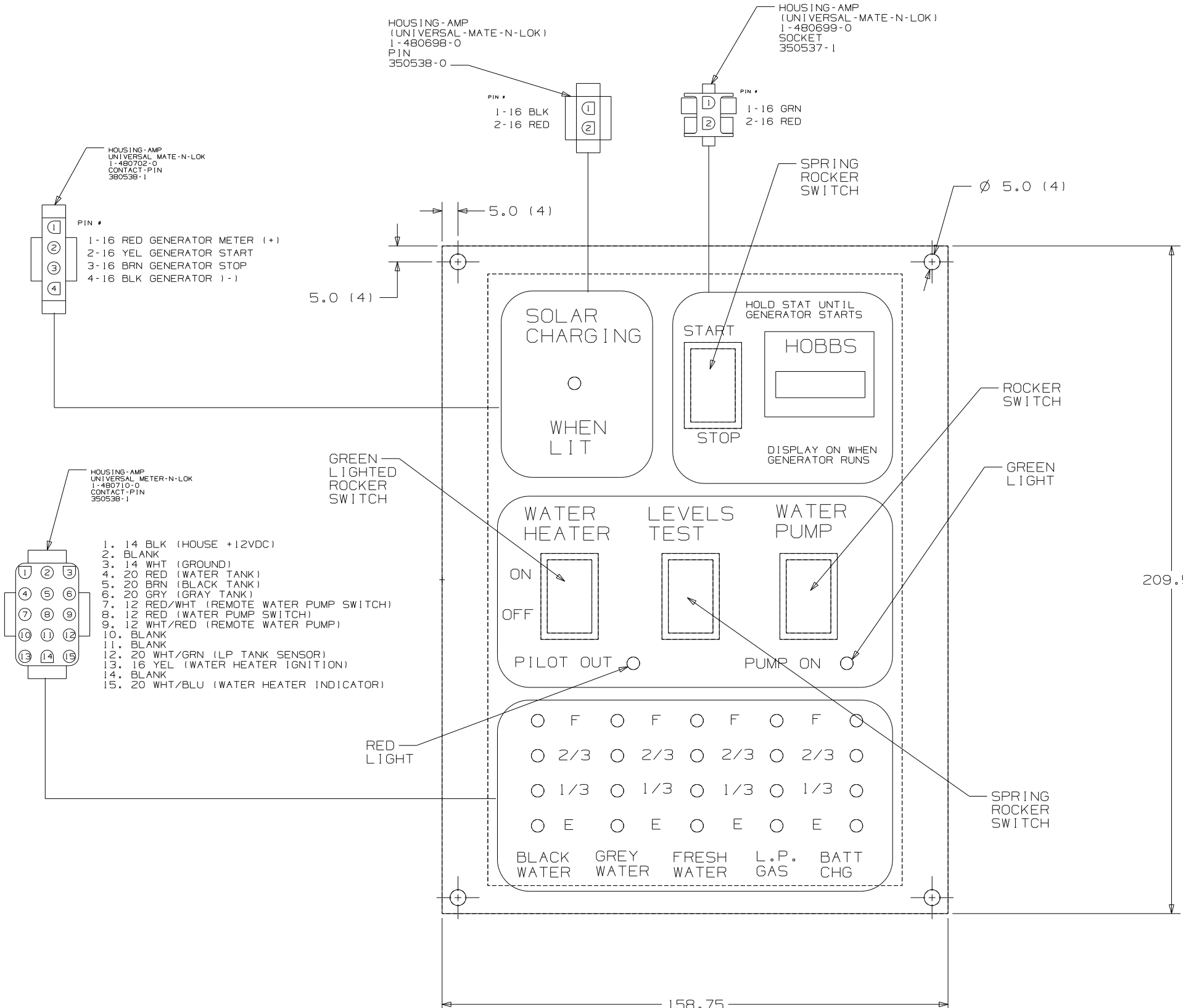
SHEET 1 OF 12 PART NO 134940

REF: 1 07/08/2004

SEE CHART FOR COLOR VARIATIONS OF THIS PART



FIRST USED	300 & F SER
TITLE	DO NOT SCALE DRAWING
	PANEL-MONITOR 2-TANK
SHEET 2	PART NO 134940



FIRST USED	300 & F SER
TITLE	DO NOT SCALE DRAWING
	PANEL-MONITOR 2-TANK
SHEET 3	PART NO 134940

8

7

6

5

4

3

2

1

D

D

C

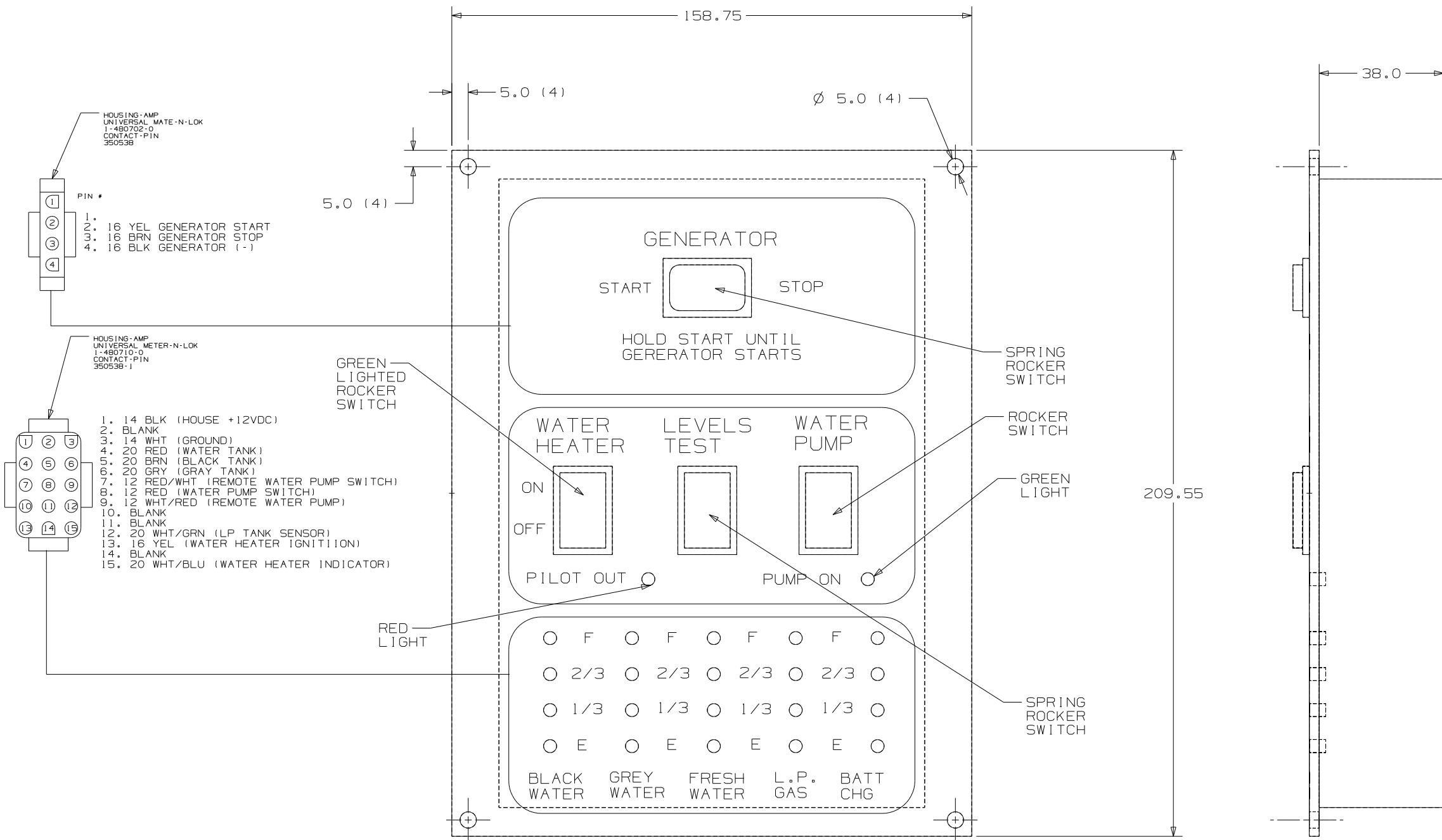
C

B

B

A

A

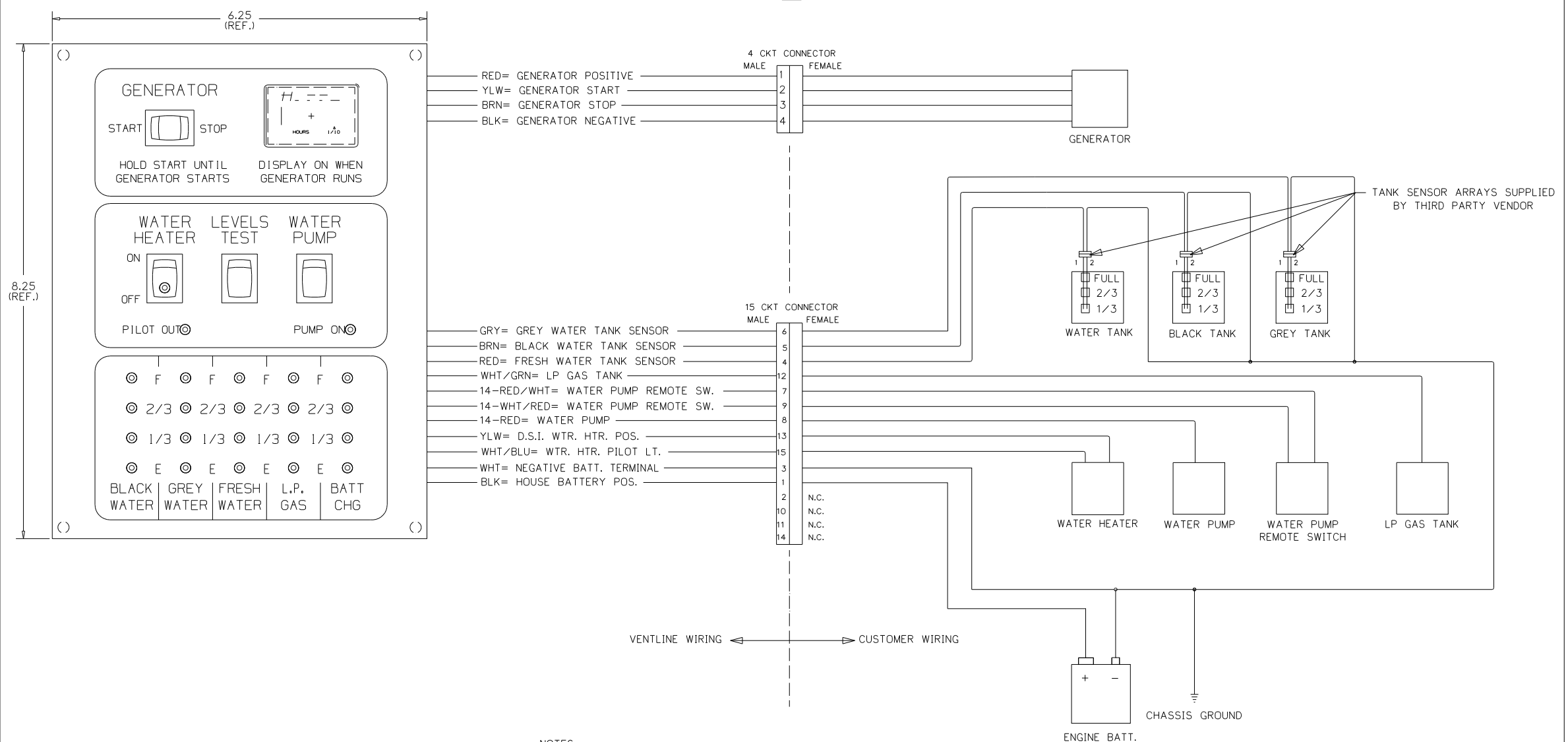


FIRST USED	300 & F SER
TITLE	DO NOT SCALE DRAWING
SHEET 4	PANEL-MONITOR 2-TANK
PART NO	134940

CONFIDENTIAL
 THIS DOCUMENT, INCLUDING ALL INFORMATION CONTAINED HEREIN IS THE EXCLUSIVE AND CONFIDENTIAL PROPERTY OF VENTLINE DIVISION OF TOMKINS INDUSTRIES, INC. THE DOCUMENT AND INFORMATION ARE NOT TO BE COPIED, REPRODUCED OR DELIVERED TO OTHERS, IN WHOLE OR IN PART, WITHOUT THE EXPRESS WRITTEN PERMISSION OF VENTLINE DIVISION OF TOMKINS INDUSTRIES, INC. THIS DOCUMENT IS TO BE RETURNED PROMPTLY TO VENTLINE AFTER HAVING SERVED THE PURPOSE FOR WHICH DELIVERED.
 ©1995 VENTLINE DIVISION, TOMKINS INDUSTRIES, INC.
 All Rights Reserved, including the right to reproduce this document or any part thereof.

LTR.	DESCRIPTION	DATE	CHK. BY	APP. BY
REL	RELEASED TO PURCHASING & PRODUCTION ECN 16261	12/3/03	MPR	MPR
A	SEE SHEET 2 ECN 16381	4-6-04	R.L.	R.L.
A	SEE SHEET 2 ECN 16394	4-21-04	R.L.	R.L.

LA1071-00
 PAGE 1 OF 2



- NOTES:**
- UNLESS OTHERWISE SPECIFIED ALL WIRE IS 22 AWG.
 - REF. DWG'S:
 GENERATOR HARNESS= L7751-00
 INTERNAL & SWITCH HARNESS= L7752-00
 PCB= L5131-02
 TEST HARNESS= L7753-00
 TEST BOX= L8506-00
 - ALL PIGTAILS TO BE SUPPLIED BY CUSTOMER.
 - BEFORE PACKING, SECURE HARNESS WITH VD0169-00 TIE WRAP ON RIGHT SIDE POST.

ENGLISH (TOLERANCE UNLESS SPECIFIED)
 0 PL+/- .040 1 PL+/- .020
 2 PL+/- .010 3 PL+/- .005
 FRACTIONS ± 1/64

PART NO.	REV'D	MATERIAL	DESCRIPTION	QTY	UWG SIZE

BLANK SIZE USED ON WINNEBAGO
 DRAWN DATE MATERIAL
 MPR 12/3/03 SEE BOM PAGE 2 PHILIPS IND. INC. VENTLINE DIVISION BRISTOL, INDIANA 46507
 CHECKED DATE NAME
 MPR 12/3/03 SCALE: NONE
 APPV'D DATE
 FUNCTION DRAWING MONITOR PANEL LA1071-00

FIRST USED	05 D SEIRES
TITLE	DO NOT SCALE DRAWING PANEL - MONITOR
SHEET 5	PART NO 134940

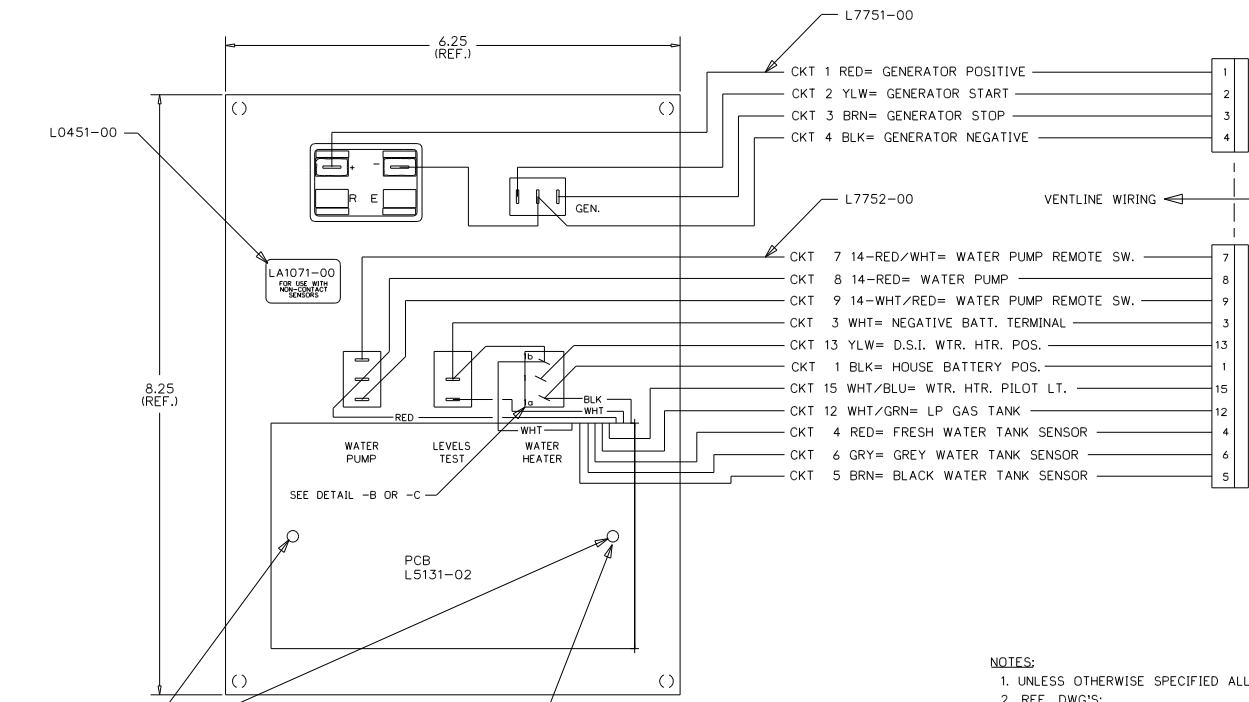
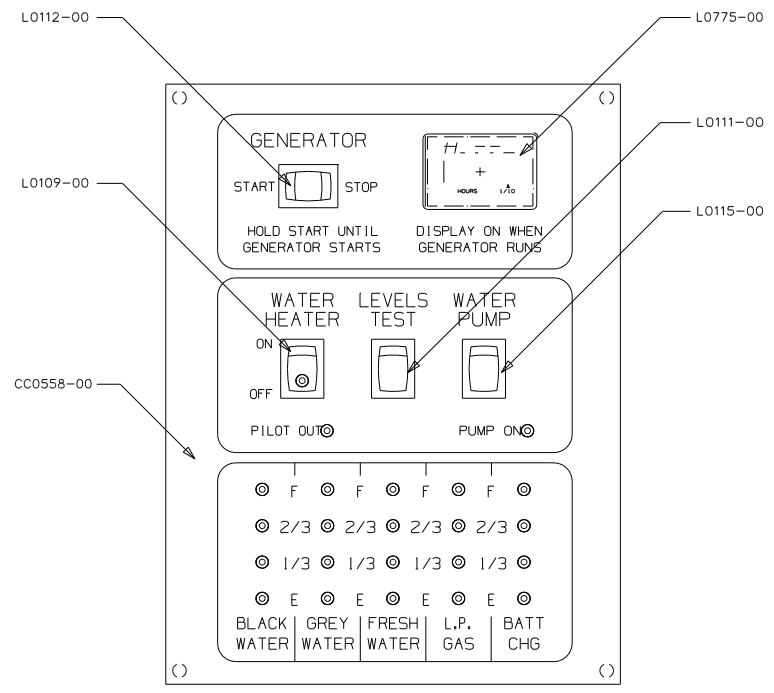
CONFIDENTIAL
 THIS DOCUMENT, INCLUDING ALL INFORMATION CONTAINED HEREIN IS THE EXCLUSIVE AND CONFIDENTIAL PROPERTY OF VENTLINE DIVISION OF TOMKINS INDUSTRIES, INC. THE DOCUMENT AND INFORMATION ARE NOT TO BE COPIED, REPRODUCED OR DELIVERED TO OTHERS, IN WHOLE OR IN PART, WITHOUT THE EXPRESS WRITTEN PERMISSION OF VENTLINE. THE DOCUMENT IS TO BE RETURNED PROMPTLY TO VENTLINE AFTER HAVING SERVED THE PURPOSE FOR WHICH DELIVERED.
 ©1995 VENTLINE DIVISION, TOMKINS INDUSTRIES, INC.
 All Rights Reserved, including the right to reproduce this document or any part thereof.

LA1071-00
 PAGE 2 OF 2

LA1071-00
 FOR USE WITH
 NON-CONTACT
 SENSORS
 (MFG DATE)

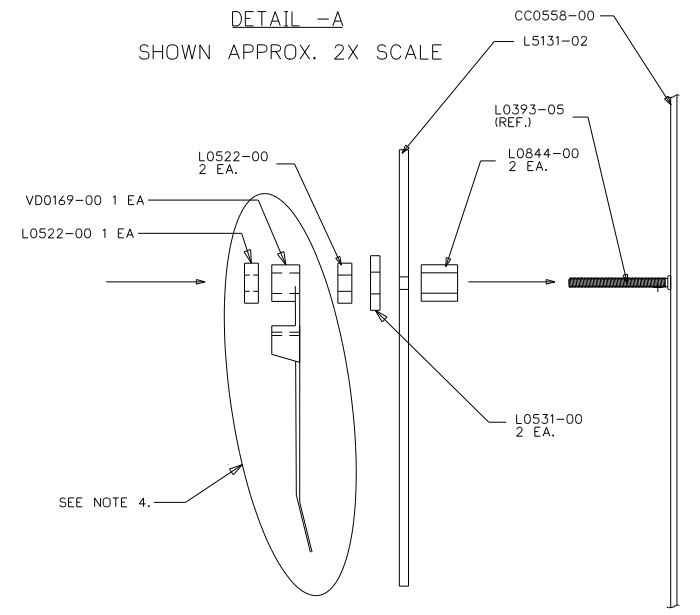
PRODUCT LABEL
 PRINTING DETAIL
 NO SCALE

LTR.	DESCRIPTION	DATE	BY	CHK.
REL	RELEASED TO PURCHASING & PRODUCTION. ECN 16261	12/3/03	MPF	MPR
A	ADDED LABEL DETAIL ECN 16381	4-6-04	R/L	R/L
B	L5131-02 WAS L5118-02 ECN 16394	4-21-04	R/L	R/L

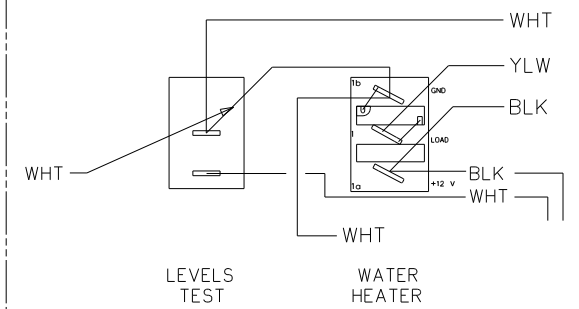


- NOTES:
- UNLESS OTHERWISE SPECIFIED ALL WIRE IS 22 AWG.
 - REF. DWG'S:
 GENERATOR HARNESS= L7751-00
 INTERNAL & SWITCH HARNESS= L7752-00
 PCB= L5131-02
 TEST HARNESS= L7753-00
 TEST BOX= L8506-00
 - ALL PIGTAILS TO BE SUPPLIED BY CUSTOMER.
 - BEFORE PACKING, SECURE HARNESS WITH V00169-00 TIE WRAP ON RIGHT SIDE POST.

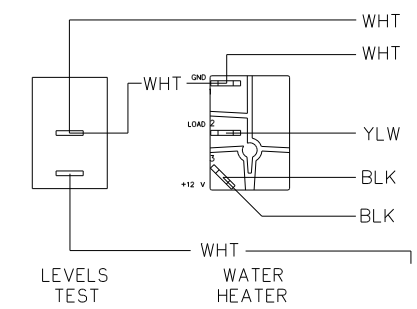
DETAIL -A
 SHOWN APPROX. 2X SCALE



DETAIL -B
 FOR L0109-00 "MARQUARDT"
 SHOWN APPROX. 2X SCALE



DETAIL -C
 FOR L0109-00 "CARLINGSWITCH"
 SHOWN APPROX. 2X SCALE



PART NO.	REQ'D	MATERIAL	DESCRIPTION	DWG SIZE
V00169-00	1		TIE WRAP	
L7752-00	1		HARNESS, INTERNAL & SWITCH	
L7751-00	1		HARNESS, GENERATOR	
L5131-02	1		PCB	
L0775-00	1		HOBBS HOUR METER	
L0531-00	2		FIBER WASHER	
L0522-00	3		HEX NUT, 6-32	
L0451-00	1		LABEL - SEE PRINTING DETAIL ABOVE	
L0844-00	2		PCB SPACER	
L0115-00	1		SWITCH, SPDT ON-ON, BLK	
L0112-00	1		SWITCH, SPDT (ON-OFF-ON), BLK	
L0111-00	1		SWITCH, SPST MOM. (ON-OFF), BLK	
L0109-00	1		SWITCH, SPST ON-OFF, BLK, GRN LT.	
CC0558-00	1		SILKSCREENED CHASSIS	

ENGLISH (TOLERANCE UNLESS SPECIFIED)
 0 PL.: .040 1 PL.: .020
 2 PL.: .010 3 PL.: .005
 FRACTIONS: 1/64

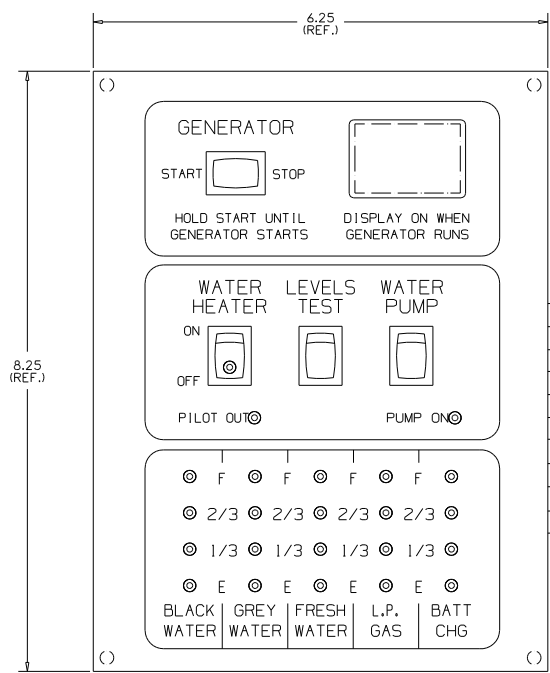
BLANK SIZE	DATE	MATERIAL	USED ON	WINNEBAGO
MPR 11/20/03	11/20/03	SEE BOM PAGE 2		PHILIPS IND. INC. VENTLINE DIVISION BRISTOL, INDIANA 46507
CHECKED	DATE	NAME	SCALE: NONE	
MPR 11/20/03	11/20/03			
APPR'D	DATE	FUNCTION DRAWING, MONITOR PANEL	DWG. NO. PAGE 2 OF 2	LA1071-00

FIRST USED	05 D SEIRES
TITLE:	DO NOT SCALE DRAWING
	PANEL - MONITOR
SHEET 6	PART NO 134940

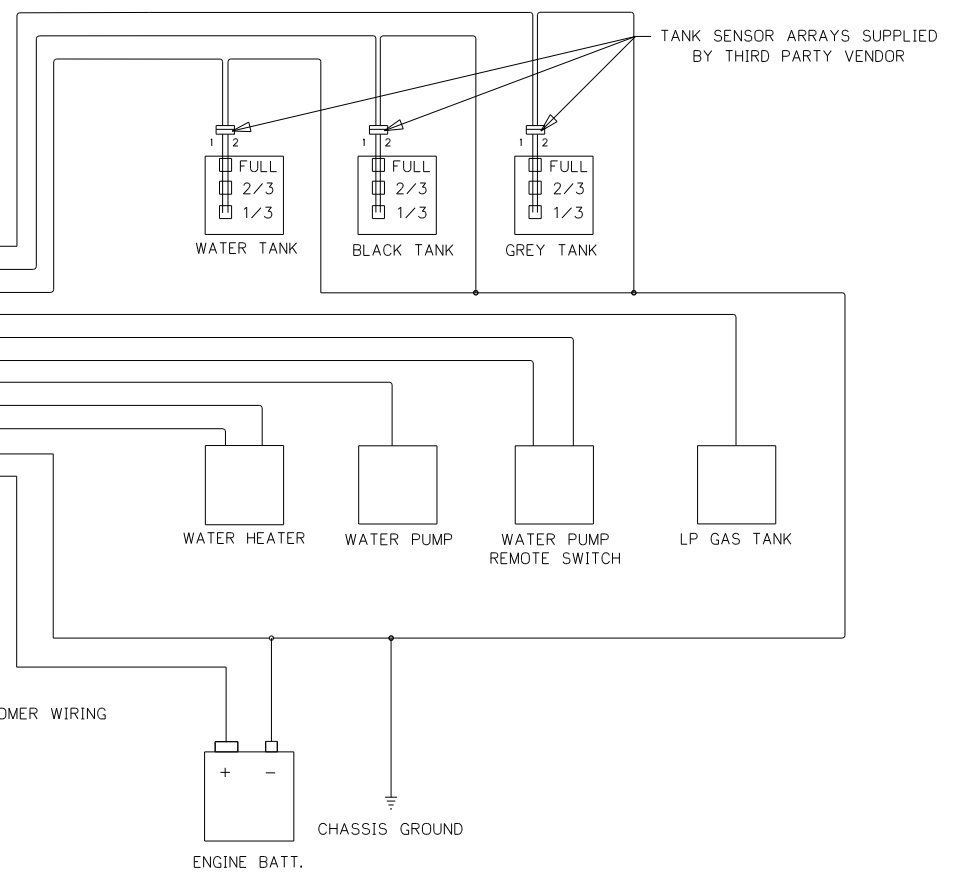
CONFIDENTIAL
 THIS DOCUMENT, INCLUDING ALL INFORMATION CONTAINED HEREIN, IS THE EXCLUSIVE AND CONFIDENTIAL PROPERTY OF VENTLINE DIVISION OF TOWNS INDUSTRIES, INC. THE DOCUMENT AND INFORMATION ARE NOT TO BE COPIED, REPRODUCED OR DELIVERED TO OTHERS, IN WHOLE OR IN PART, WITHOUT THE EXPRESS WRITTEN PERMISSION OF VENTLINE. THE DOCUMENT IS TO BE RETURNED PROMPTLY TO VENTLINE AFTER HAVING SERVED THE PURPOSE FOR WHICH DELIVERED.
 ©2005 VENTLINE DIVISION, TOWNS INDUSTRIES, INC.
 All Rights Reserved, including the right to reproduce this document or any part thereof.

LA1073-00
 PAGE 1 OF 2

LTR.	DESCRIPTION	DATE	CHK'D BY	CHK'D BY
REL	RELEASED TO PURCHASING & PRODUCTION	12/3/03	MPP	MPP
A	SEE SHEET 2 ECN 16381	4-6-04	R.J.L.	R.J.L.
B	L5131-02 WAS L5118-02 ECN 16394	4-21-04	R.J.L.	R.J.L.



- 15 CKT CONNECTOR
 MALE FEMALE
- 6 GRY= GREY WATER TANK SENSOR
 - 5 BRN= BLACK WATER TANK SENSOR
 - 4 RED= FRESH WATER TANK SENSOR
 - 12 WHT/GRN= LP GAS TANK
 - 7 14-RED/WHT= WATER PUMP REMOTE SW.
 - 9 14-WHT/RED= WATER PUMP REMOTE SW.
 - 8 14-RED= WATER PUMP
 - 13 YLW= D.S.I. WTR. HTR. POS.
 - 15 WHT/BLU= WTR. HTR. PILOT LT.
 - 3 WHT= NEGATIVE BATT. TERMINAL
 - 1 BLK= HOUSE BATTERY POS.
 - 2 N.C.
 - 10 N.C.
 - 11 N.C.
 - 14 N.C.



- NOTES:**
- UNLESS OTHERWISE SPECIFIED ALL WIRE IS 22 AWG.
 - REF. DWG'S:
 HARNESS, INTERNAL & SWITCH= L7752-00
 PCB= L5131-02
 HARNESS, TEST= L7753-00
 TEST BOX= L8506-00
 - ALL PIGTAILS TO BE SUPPLIED BY CUSTOMER.
 - BEFORE PACKING, SECURE HARNESS WITH VD0169-00 TIE WRAP ON RIGHT SIDE POST.

ENGLISH TOLERANCE UNLESS SPECIFIED
 0 PL.: .040 1 PL.: .020
 2 PL.: .010 3 PL.: .005
 FRACTIONS: 1/64

PART NO.	REQ'D	MATERIAL	DESCRIPTION	DWG SIZE
BLANK SIZE			USED ON WINNEBAGO	
DRAWN	DATE	MATERIAL		
MPR	11/21/03	SEE BOM PAGE 2		
CHECKED	DATE	NAME		
MPR	11/21/03			
APPR'D	DATE			

FUNCTION DRAWING,
 MONITOR PANEL
 LA1073-00

FIRST USED	05 D SERIES
TITLE	DO NOT SCALE DRAWING
SHEET 7	PART NO 134940
	1 07/08/2004

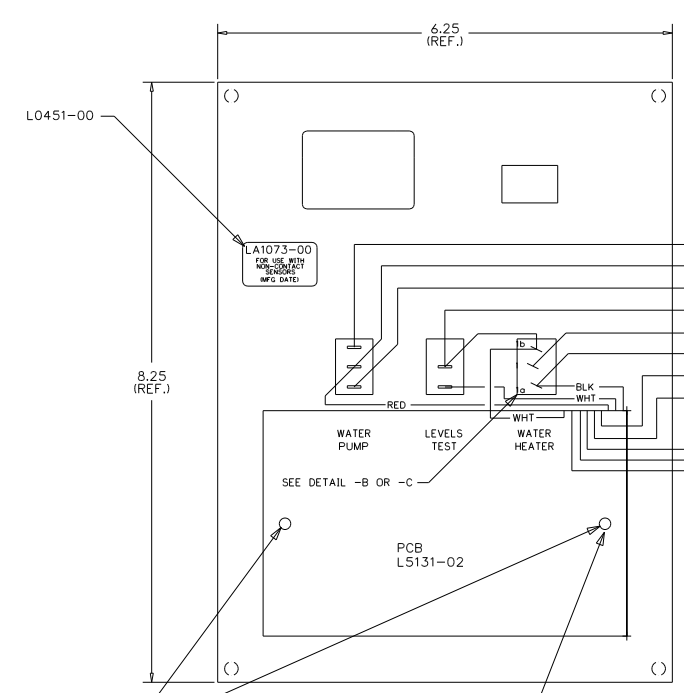
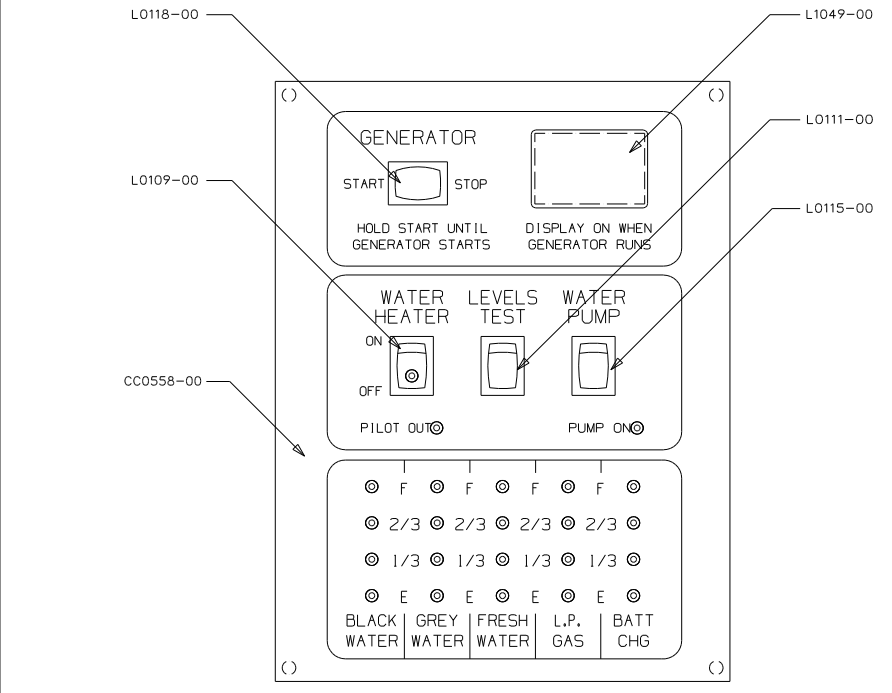
CONFIDENTIAL
 THIS DOCUMENT, INCLUDING ALL INFORMATION CONTAINED HEREIN IS THE EXCLUSIVE AND CONFIDENTIAL PROPERTY OF VENTLINE DIVISION OF TOMKINS INDUSTRIES, INC. THE DOCUMENT AND INFORMATION ARE NOT TO BE COPIED, REPRODUCED OR DELIVERED TO OTHERS, IN WHOLE OR IN PART, WITHOUT THE EXPRESS WRITTEN PERMISSION OF VENTLINE. THE DOCUMENT IS TO BE RETURNED PROMPTLY TO VENTLINE AFTER HAVING SERVED THE PURPOSE FOR WHICH DELIVERED.
 ©1995 VENTLINE DIVISION, TOMKINS INDUSTRIES, INC.
 All Rights Reserved, including the right to register this document or any part thereof.

LA1073-00
 PAGE 2 OF 2

LTR.	DESCRIPTION	DATE	CHK. BY	APP. BY
REL.	RELEASED TO PURCHASING & PRODUCTION ECN 16261	12/3/03	MPP	MPP
A	ADDED LABEL DETAIL ECN 16381	4-6-04	R.J.	R.J.
B	L5131-02 WAS L5118-02 ECN 16394	4-21-04	R.J.	R.J.

LA1073-00
 FOR USE WITH
 NON-CONTACT
 SENSORS
 (MFG DATE)

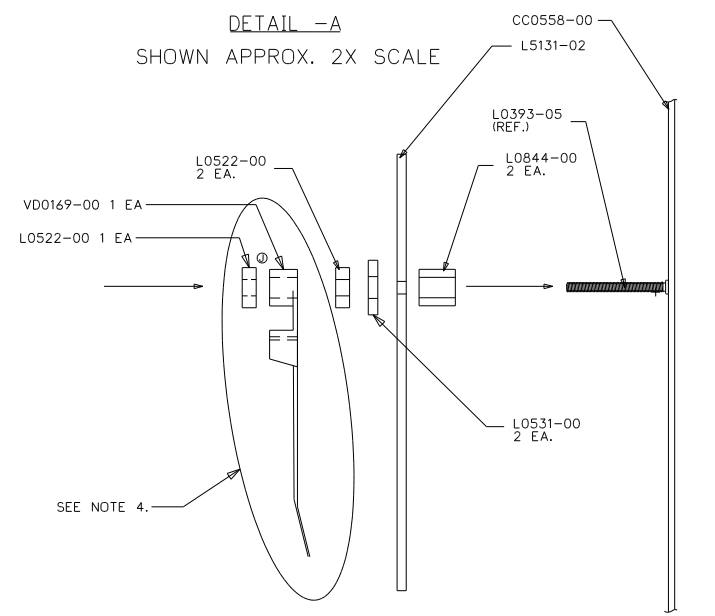
PRODUCT LABEL
 PRINTING DETAIL
 NO SCALE



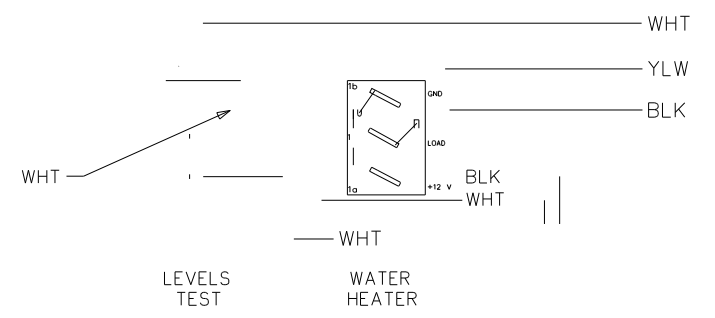
VENTLINE WIRING ← → CUSTOMER WIRING

CKT 7 14-RED/WHT=	WATER PUMP REMOTE SW.	7
CKT 8 14-RED=	WATER PUMP	8
CKT 9 14-WHT/RED=	WATER PUMP REMOTE SW.	9
CKT 3 WHT=	NEGATIVE BATT. TERMINAL	3
CKT 13 YLW=	D.S.I. WTR. HTR. POS.	13
CKT 1 BLK=	HOUSE BATTERY POS.	1
CKT 15 WHT/BLU=	WTR. HTR. PILOT LT.	15
CKT 12 WHT/GRN=	LP GAS TANK	12
CKT 4 RED=	FRESH WATER TANK SENSOR	4
CKT 6 GRY=	GREY WATER TANK SENSOR	6
CKT 5 BRN=	BLACK WATER TANK SENSOR	5

DETAIL -A
 SHOWN APPROX. 2X SCALE



DETAIL -B
 SHOWN APPROX. 2X SCALE



- NOTES:
- UNLESS OTHERWISE SPECIFIED ALL WIRE IS 22 AWG.
 - REF. DWG.'S:
 HARNESS, INTERNAL & SWITCH= L7752-00
 PCB= L5131-02
 HARNESS, TEST= L7753-00
 TEST BOX= L8504-00
 - ALL PIGTAILS TO BE SUPPLIED BY CUSTOMER.
 - BEFORE PACKING, SECURE HARNESS WITH VD0169-00 TIE WRAP ON RIGHT SIDE POST.

PART NO.	QTY	MATERIAL	DESCRIPTION	DWG SIZE
VD0169-00	1		TIE WRAP WITH POST HOLE	
L7752-00	1		HARNESS, INTERNAL & SWITCH	
L5131-02	1		PCB	
L1049-00	1		HOLE PLUG	
L0531-00	4		FIBER WASHER	
L0522-00	3		HEX NUT, 6-32	
L0451-00	1		LABEL	
L0844-00	2		PCB SPACER	
L0118-00	1		SWITCH, DUMMY	
L0115-00	1		SWITCH, SPDT ON-ON, BLK	
L0111-00	1		SWITCH, SPST MOM. IONI-OFF, BLK	
L0109-00	1		SWITCH, SPST ON-OFF, BLK, GRN LT.	
CC0558-00	1		SILKSCREENED CHASSIS	

ENGLISH (TOLERANCE UNLESS SPECIFIED)
 0 PL ± .040 1 PL ± .020
 2 PL ± .010 3 PL ± .005
 FRACTIONS ± 1/64

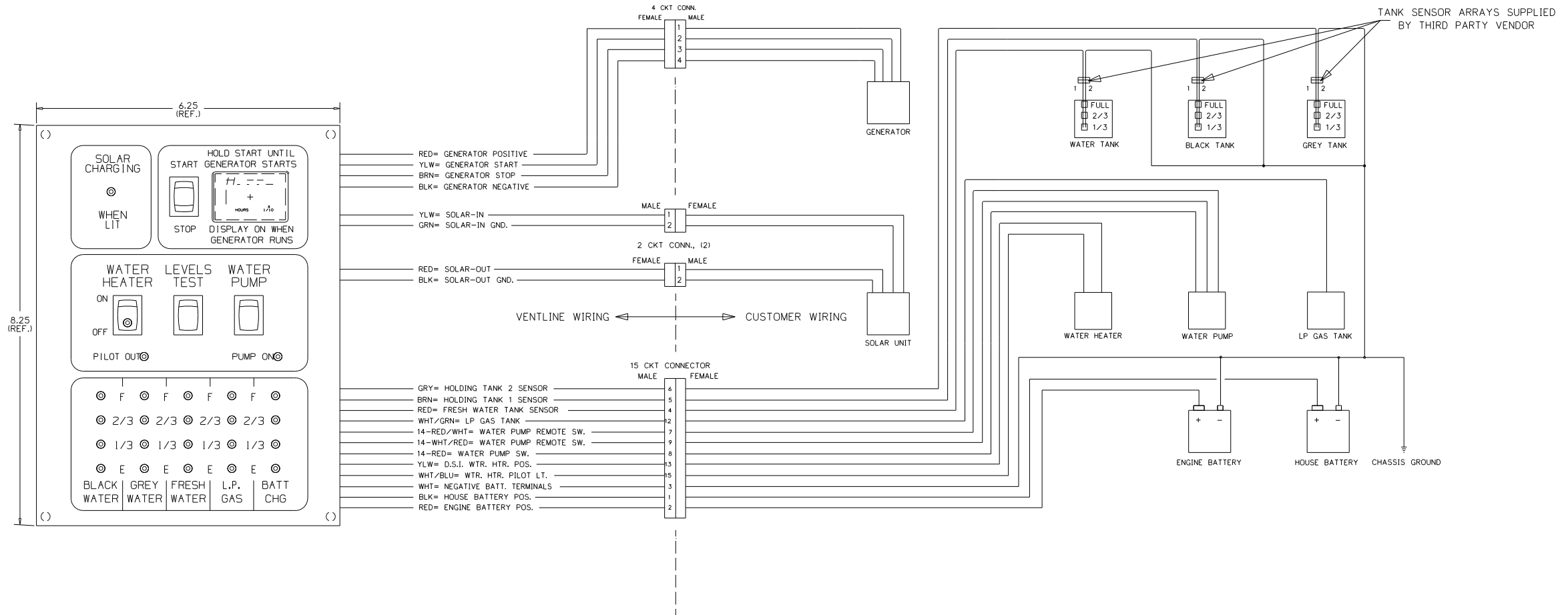
BLANK SIZE	DATE	MATERIAL	USED ON	WINNEBAGO
MPP	11/21/03	SEE BOM PAGE 2		
CHECKED	DATE	NAME	SCALE: NONE	
MPP	11/21/03		FUNCTION DRAWING, MONITOR PANEL	
APP'D	DATE		DWG. NO. PAGE 2 OF 2 LA1073-00	

FIRST USED	05 D SERIES
TITLE	DO NOT SCALE DRAWING
TITLE	PANEL - MONITOR
SHEET 8	PART NO 134940
	1 07/08/2004

CONFIDENTIAL
 THIS DOCUMENT, INCLUDING ALL INFORMATION CONTAINED HEREIN, IS THE EXCLUSIVE AND CONFIDENTIAL PROPERTY OF VENTLINE DIVISION OF TOMKINS INDUSTRIES, INC. THE DOCUMENT AND INFORMATION ARE NOT TO BE COPIED, REPRODUCED OR DELIVERED TO OTHERS, IN WHOLE OR IN PART, WITHOUT THE EXPRESS WRITTEN PERMISSION OF VENTLINE. THE DOCUMENT IS TO BE RETURNED PROMPTLY TO VENTLINE AFTER HAVING SERVED THE PURPOSE FOR WHICH DELIVERED.
 © 1995 VENTLINE DIVISION, TOMKINS INDUSTRIES, INC.
 All Rights Reserved, including the right to reproduce this document or any part thereof.

LA1074-00
 PAGE 1 OF 2

LTR.	DESCRIPTION	DATE	BY	CHK'D
REL	RELEASED TO PURCHASING & PRODUCTION	12/3/03	MPR	MPR
A	SEE SHEET 2 ECN 16381	4-6-04	RJL	RJL
B	L5131-02 WAS L5118-02 ECN 16394	4-21-04	RJL	RJL



- NOTES:
- UNLESS OTHERWISE SPECIFIED ALL WIRE IS 22 AWG.
 - REF. DWG.'S:
 HARNESS, INTERNAL & SWITCH= L7752-00
 HARNESS, GEN. INTERNAL & SWITCH= L7786-00
 HARNESS, SOLAR LIGHT= L7722-00
 PCB= L5131-02
 HARNESS, TEST= L7753-00
 TEST BOX= L8506-00
 - ALL PIGTAILS TO BE SUPPLIED BY CUSTOMER.
 - BEFORE PACKING, SECURE HARNESS WITH VDO169-00 TIE WRAP ON RIGHT SIDE POST.

ENGLISH TOLERANCE UNLESS SPECIFIED
 0 PL.: .040 1 PL.: .020
 2 PL.: .010 3 PL.: .005
 FRACTIONS 1/64

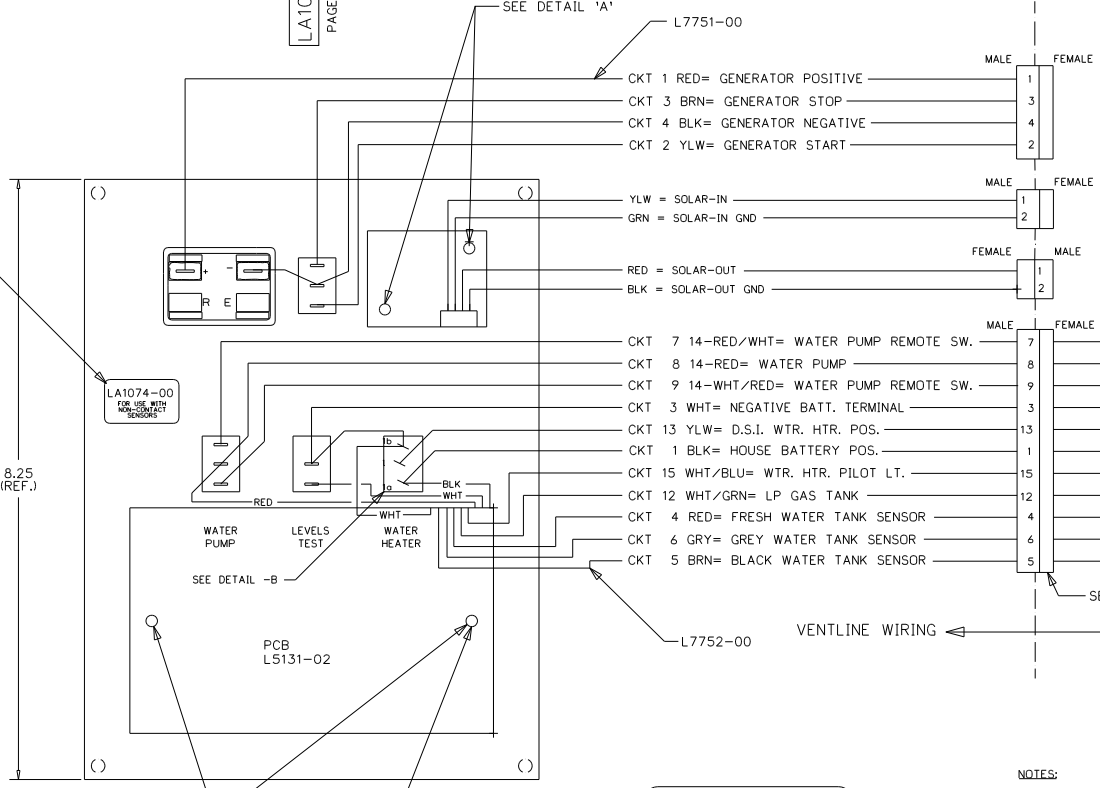
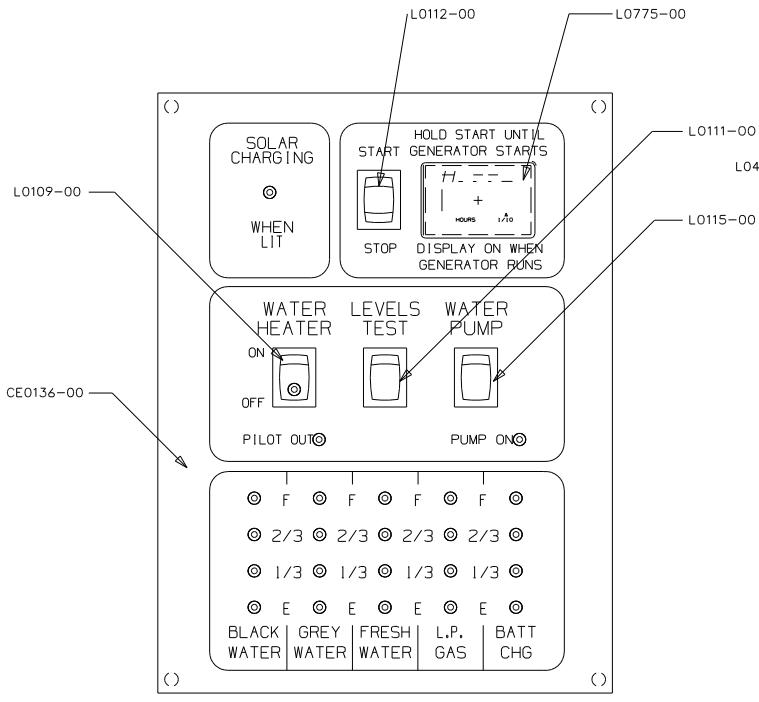
PART NO.	REV'D	MATERIAL	DESCRIPTION	DWG SIZE
			USED WINNEBAGO	
			PHILIPS IND. INC.	
			VENTLINE DIVISION	
			BRISTOL, INDIANA 46507	
			SCALE: NONE	
			FUNCTION DRAWING, MONITOR PANEL	
			DWG. NO. LA1074-00	

FIRST USED	05 D SERIES
TITLE	DO NOT SCALE DRAWING
SHEET 9	PART NO 134940
	DATE 07/08/2004

CONFIDENTIAL
 THIS DOCUMENT, INCLUDING ALL INFORMATION CONTAINED HEREIN, IS THE EXCLUSIVE AND CONFIDENTIAL PROPERTY OF VENTLINE DIVISION OF TOMKINS INDUSTRIES, INC. THE DOCUMENT AND INFORMATION ARE NOT TO BE COPIED, REPRODUCED OR DELIVERED TO OTHERS, IN WHOLE OR IN PART, WITHOUT THE EXPRESS WRITTEN PERMISSION OF VENTLINE. THE DOCUMENT IS TO BE RETURNED PROMPTLY TO VENTLINE AFTER HAVING SERVED THE PURPOSE FOR WHICH DELIVERED.
 ©1995 VENTLINE DIVISION, TOMKINS INDUSTRIES, INC.
 All Rights Reserved, including the right to reproduce this document or any part thereof.

LA1074-00
 PAGE 2 OF 2

LTR.	DESCRIPTION	DATE	BY	CHK.
REL	RELEASED TO PURCHASING & PRODUCTION	12/3/03	MPR	MPR
A	ADDED LABEL DETAIL ECN 16381	4-6-04	R.L.	R.L.
B	L5131-02 WAS L5118-02 ECN 16394	4-21-04	R.L.	R.L.

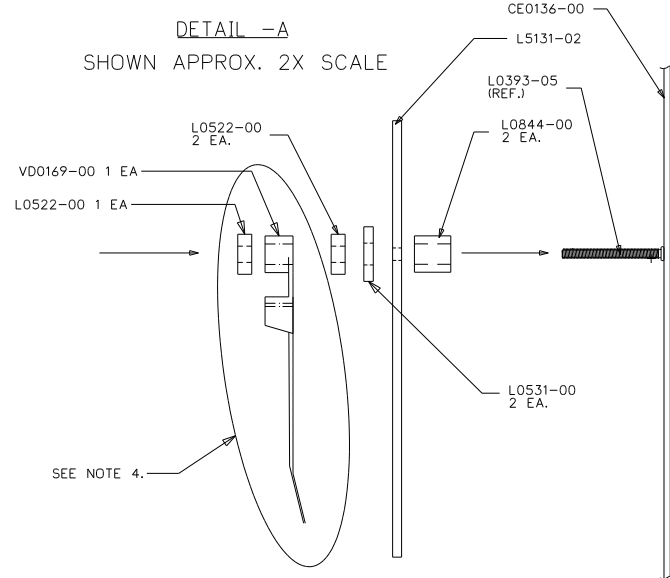


LA1074-00
 FOR USE WITH
 NON-CONTACT
 SENSORS
 (MFG DATE)

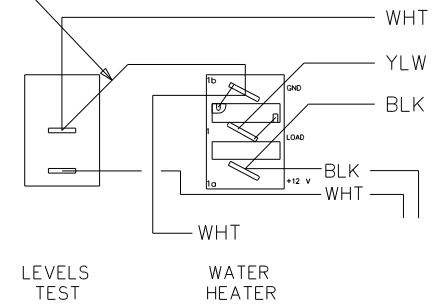
⊙
 PRODUCT LABEL
 PRINTING DETAIL
 NO SCALE

- NOTES:
- UNLESS OTHERWISE SPECIFIED ALL WIRE IS 22 AWG.
 - REF. DWG.'S:
 HARNESS, INTERNAL & SWITCH= L7752-00
 HARNESS, GEN. INTERNAL & SWITCH= L7786-00
 HARNESS, SOLAR LIGHT= L7722-00
 PCB= L5131-02
 HARNESS, TEST= L7753-00
 TEST BOX= L8506-00
 - ALL PIGTAILS TO BE SUPPLIED BY CUSTOMER.
 - BEFORE PACKING, SECURE HARNESS WITH V00169-00 TIE WRAP ON RIGHT SIDE POST.

DETAIL -A
 SHOWN APPROX. 2X SCALE



DETAIL -B
 SHOWN APPROX. 2X SCALE



PART NO.	REQ'D	MATERIAL	DESCRIPTION	QTY
V00169-00	1		TIE WRAP	
L7752-00	1		HARNESS, INTERNAL & SWITCH	
L7751-00	1		HARNESS, GENERATOR	
L7722-00	1		SOLAR LIGHT HARNESS	
L5121-01	1		SOLAR LIGHT PCB	
L5131-02	1		PCB	
L0775-00	1		HOBBS HOUR METER	
L0531-00	4		FIBER WASHER	
L0522-00	5		HEX NUT, 6-32	
L0451-00	1		LABEL	
L0844-00	4		PCB SPACER	
L0115-00	1		SWITCH, SPDT ON-OFF, BLK	
L0112-00	1		SWITCH, SPDT (ON)-OFF-(ON), BLK	
L0111-00	1		SWITCH, SPST MOM. (ON)-OFF, BLK	
L0109-00	1		SWITCH, SPST ON-OFF, BLK, GRN LT.	
CE0136-00	1		SILKSCREENED CHASSIS	

ENGLISH (TOLERANCE UNLESS SPECIFIED)
 0 PL.:.040 1 PL.:.020
 2 PL.:.010 3 PL.:.005
 FRACTIONS 1/64

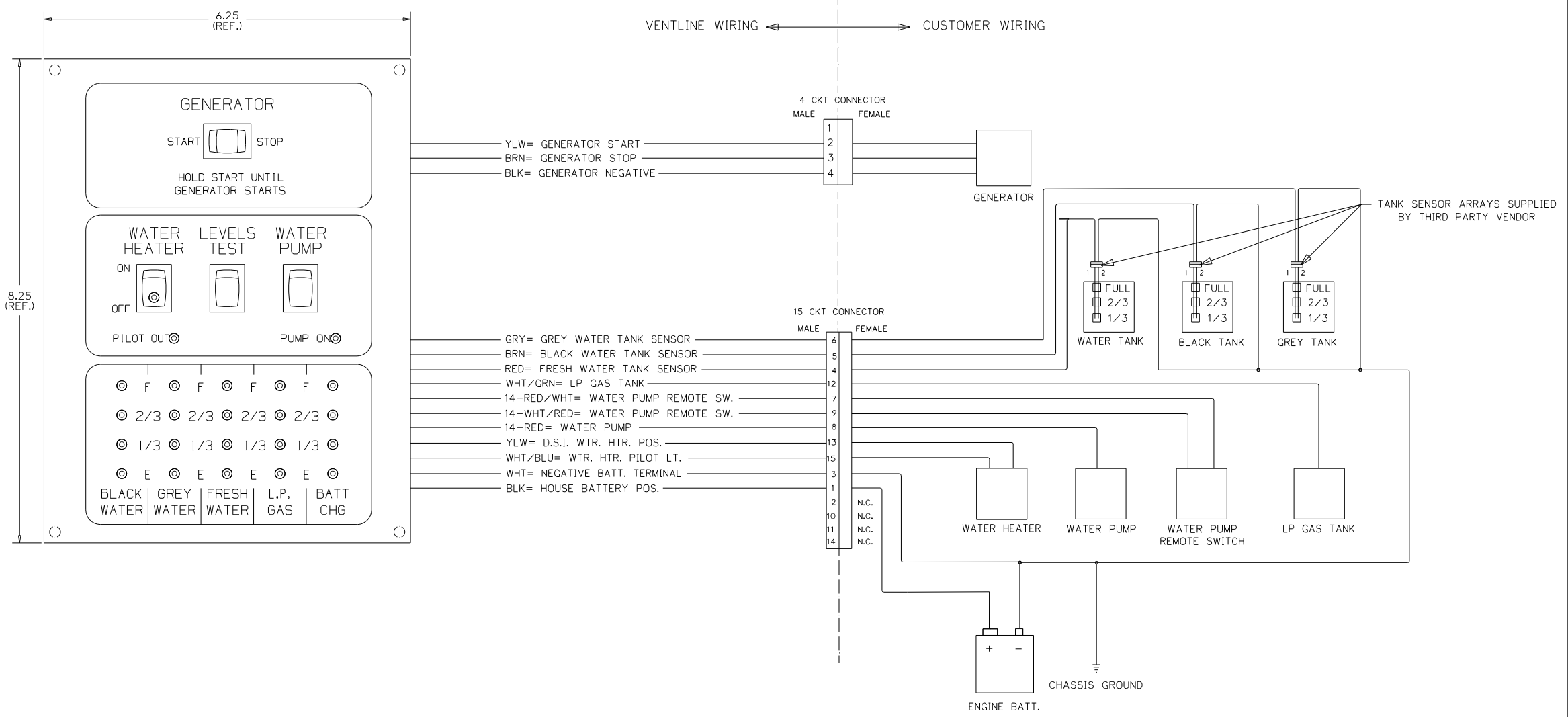
BLANK SIZE	DATE	MATERIAL	USED ON	WINNEBAGO
MPR	11/21/03	SEE BOM		
CHECKED	DATE	NAME		
MPR	11/21/03	FUNCTION DRAWING, MONITOR PANEL		
APP'VD	DATE			

FIRST USED	05 D SERIES
TITLE:	DO NOT SCALE DRAWING
	PANEL - MONITOR
SHEET 10	PART NO 134940

CONFIDENTIAL
 THIS DOCUMENT, INCLUDING ALL INFORMATION CONTAINED HEREIN, IS THE EXCLUSIVE AND CONFIDENTIAL PROPERTY OF VENTLINE DIVISION OF TOMKINS INDUSTRIES, INC. THE DOCUMENT AND INFORMATION ARE NOT TO BE COPIED, REPRODUCED OR DELIVERED TO OTHERS, IN WHOLE OR IN PART, WITHOUT THE EXPRESS WRITTEN PERMISSION OF VENTLINE. THE DOCUMENT IS TO BE RETURNED PROMPTLY TO VENTLINE AFTER HAVING SERVED THE PURPOSE FOR WHICH DELIVERED.
 ©1995 VENTLINE DIVISION, TOMKINS INDUSTRIES, INC.
 All Rights Reserved, including the right to reproduce this document or any part thereof.

LA1075-00
 PAGE 1 OF 2

LTR.	DESCRIPTION	DATE	CHK. BY
REL	RELEASED TO PURCHASING AND PRODUCTION	12/3/03	MPR/MPR
A	SEE SHEET 2 ECN 16381	4-6-04	R.L. R.L.
B	L5131-02 WAS L5118-02 ECN 16394	4-21-04	R.L. R.L.



- YLW= GENERATOR START
- BRN= GENERATOR STOP
- BLK= GENERATOR NEGATIVE
- GRY= GREY WATER TANK SENSOR
- BRN= BLACK WATER TANK SENSOR
- RED= FRESH WATER TANK SENSOR
- WHT/GRN= LP GAS TANK
- 14-RED/WHT= WATER PUMP REMOTE SW.
- 14-WHT/RED= WATER PUMP REMOTE SW.
- 14-RED= WATER PUMP
- YLW= D.S.I. WTR. HTR. POS.
- WHT/BLU= WTR. HTR. PILOT LT.
- WHT= NEGATIVE BATT. TERMINAL
- BLK= HOUSE BATTERY POS.

- NOTES:**
- UNLESS OTHERWISE SPECIFIED ALL WIRE IS 22 AWG.
 - REF. DWG.'S:
 HARNESS, INTERNAL & SWITCH= L7752-00
 HARNESS, GEN. INTERNAL & SWITCH= L7786-00
 HARNESS, SOLAR LIGHT= L7722-00
 PCB= L5131-02
 HARNESS, TEST= L7753-00
 TEST BOX= L8506-00
 - ALL PIGTAILS TO BE SUPPLIED BY CUSTOMER.
 - BEFORE PACKING, SECURE HARNESS WITH VD0169-00 TIE WRAP ON RIGHT SIDE POST.

ENGLISH TOLERANCE UNLESS SPECIFIED:
 0 PL.: .040 1 PL.: .020
 2 PL.: .010 3 PL.: .005
 FRACTIONS ±1/64

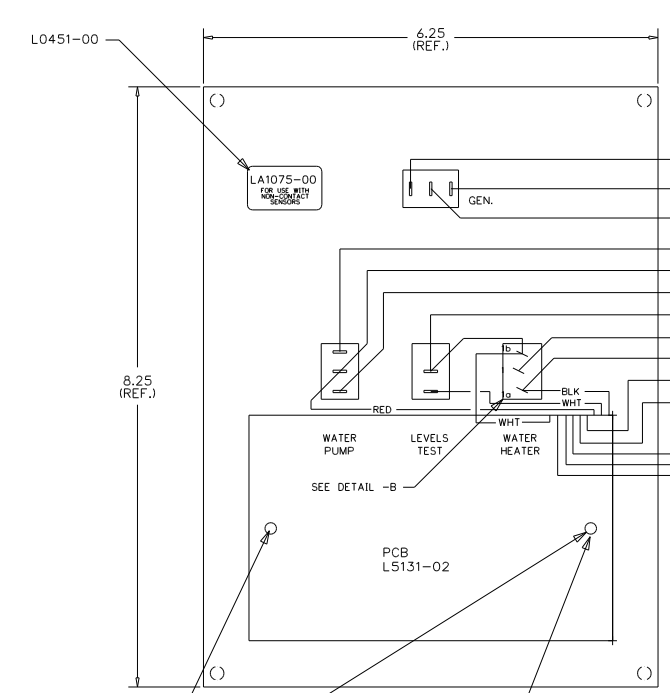
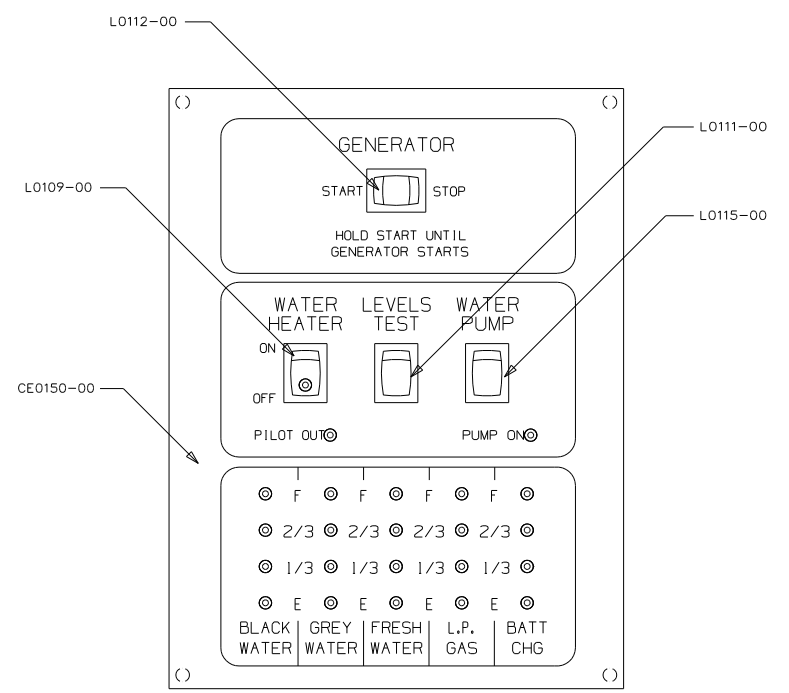
PART NO.	REQ'D	MATERIAL	DESCRIPTION	DWG SIZE
BLANK SIZE			USED ON WINNEBAGO	
DRAWN	DATE	MATERIAL	SEE BOM PAGE 2	
MPR 11/21/03				
CHECKED	DATE	NAME	SCALE: NONE	
MPR 11/21/03				
APPV'D	DATE	FUNCTION DRAWING, MONITOR PANEL		DWG. NO. PAGE 1 OF 2 LA1075-00

FIRST USED	06 500 SERIES
TITLE:	DO NOT SCALE DRAWING
	PANEL - MONITOR
SHEET 11	PART NO 134940

CONFIDENTIAL
 THIS DOCUMENT, INCLUDING ALL INFORMATION CONTAINED HEREIN IS THE EXCLUSIVE AND CONFIDENTIAL PROPERTY OF VENTLINE DIVISION OF TOWNS INDUSTRIES, INC. THE DOCUMENT AND INFORMATION ARE NOT TO BE COPIED, REPRODUCED OR DELIVERED TO OTHERS, IN WHOLE OR IN PART, WITHOUT THE EXPRESS WRITTEN PERMISSION OF VENTLINE. THE DOCUMENT IS TO BE RETURNED PROMPTLY TO VENTLINE AFTER HAVING SERVED THE PURPOSE FOR WHICH DELIVERED.
 ©1995 VENTLINE DIVISION, TOWNS INDUSTRIES, INC.
 All Rights Reserved, including the right to reproduce this document or any part thereof.

LA1075-00
 PAGE 2 OF 2

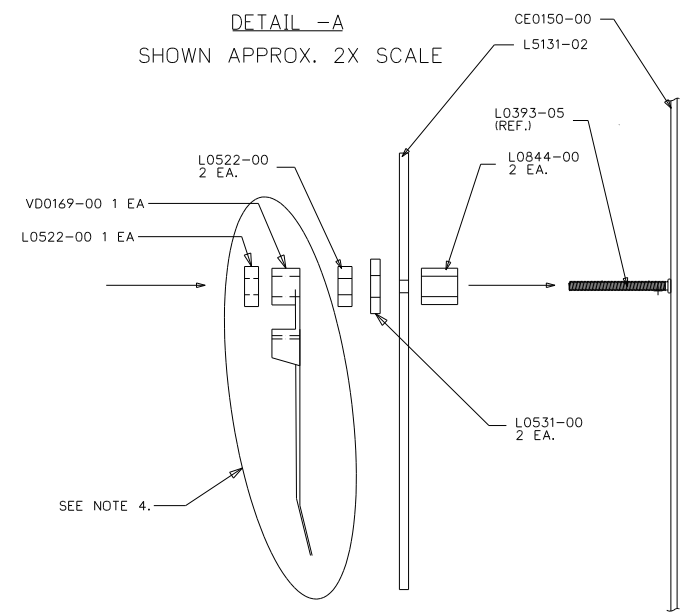
LTR.	DESCRIPTION	DATE	CHK. BY	CHK. BY
REL	RELEASED TO PURCHASING AND PRODUCTION	12/3/03	M.P.M.P.R.	
	ECN 16261			
A	ADDED LABEL DETAIL	ECN 16381	4-6-04	R.L.
B	L5131-02 WAS L5118-02	ECN 16394	4-21-04	R.L.



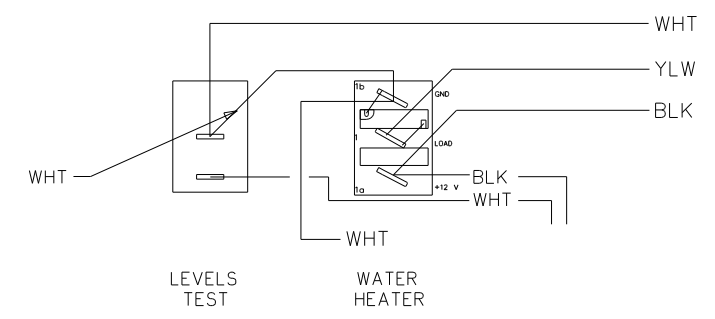
- CKT 1 = NOT USED
- CKT 2 YLW= GENERATOR START
- CKT 3 BRN= GENERATOR STOP
- CKT 4 BLK= GENERATOR NEGATIVE
- CKT 7 14-RED/WHT= WATER PUMP REMOTE SW.
- CKT 8 14-RED= WATER PUMP
- CKT 9 14-WHT/RED= WATER PUMP REMOTE SW.
- CKT 3 WHT= NEGATIVE BATT. TERMINAL
- CKT 13 YLW= D.S.I. WTR. HTR. POS.
- CKT 1 BLK= HOUSE BATTERY POS.
- CKT 15 WHT/BLU= WTR. HTR. PILOT LT.
- CKT 12 WHT/GRN= LP GAS TANK
- CKT 4 RED= FRESH WATER TANK SENSOR
- CKT 6 GRY= GREY WATER TANK SENSOR
- CKT 5 BRN= BLACK WATER TANK SENSOR

VENTLINE WIRING ← → CUSTOMER WIRING

DETAIL -A
 SHOWN APPROX. 2X SCALE



DETAIL -B
 SHOWN APPROX. 2X SCALE



LA1075-00
 FOR USE WITH
 NON-CONTACT
 SENSORS
 (MFG DATE)

PRODUCT LABEL
 PRINTING DETAIL
 NO SCALE

- NOTES:
- UNLESS OTHERWISE SPECIFIED ALL WIRE IS 22 AWG.
 - REF. DWG.'S:
 HARNESS, INTERNAL & SWITCH= L7785-01, -02
 HARNESS, GEN. INTERNAL & SWITCH= L7786-00
 PCB= L5131-02
 HARNESS, TEST= L8012-00
 TEST BOX= L8506-00
 - ALL PIGTAILS TO BE SUPPLIED BY CUSTOMER.
 - BEFORE PACKING, SECURE HARNESS WITH V00169-00 TIE WRAP ON RIGHT SIDE POST.

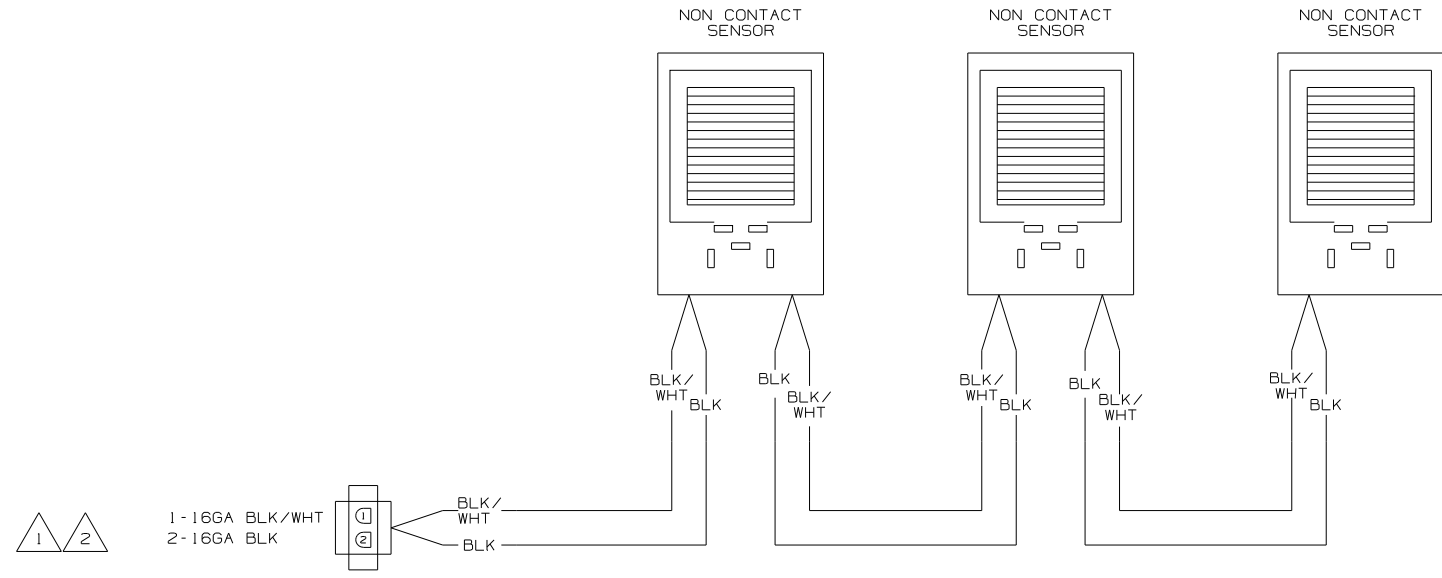
PART NO.	QTY	MATERIAL	DESCRIPTION	DWG SIZE
V00169-00	1		TIE WRAP	
L7752-00	1		HARNESS, INTERNAL & SWITCH	
L7832-00	1		HARNESS, GENERATOR	
L5131-02	1		PCB	
L0531-00	2		FIBER WASHER	
L0522-00	3		HEX NUT, 6-32	
L0451-00	1		LABEL	
L0844-00	2		PCB SPACER	
L0115-00	1		SWITCH, SPDT ON-ON, BLK	
L0112-00	1		SWITCH, SPDT IONI-OFF-IONI, BLK	
L0111-00	1		SWITCH, SPST MOM. IONI-OFF, BLK	
L0109-00	1		SWITCH, SPST ON-OFF, BLK, GRN LT.	
CE0150-00	1		SILKSCREENED CHASSIS	

BLANK SIZE	DATE	MATERIAL	USED ON	WINNEBAGO
DRAWN	11/21/03	SEE BOM		
CHECKED	11/21/03			
APPV'D	11/21/03			

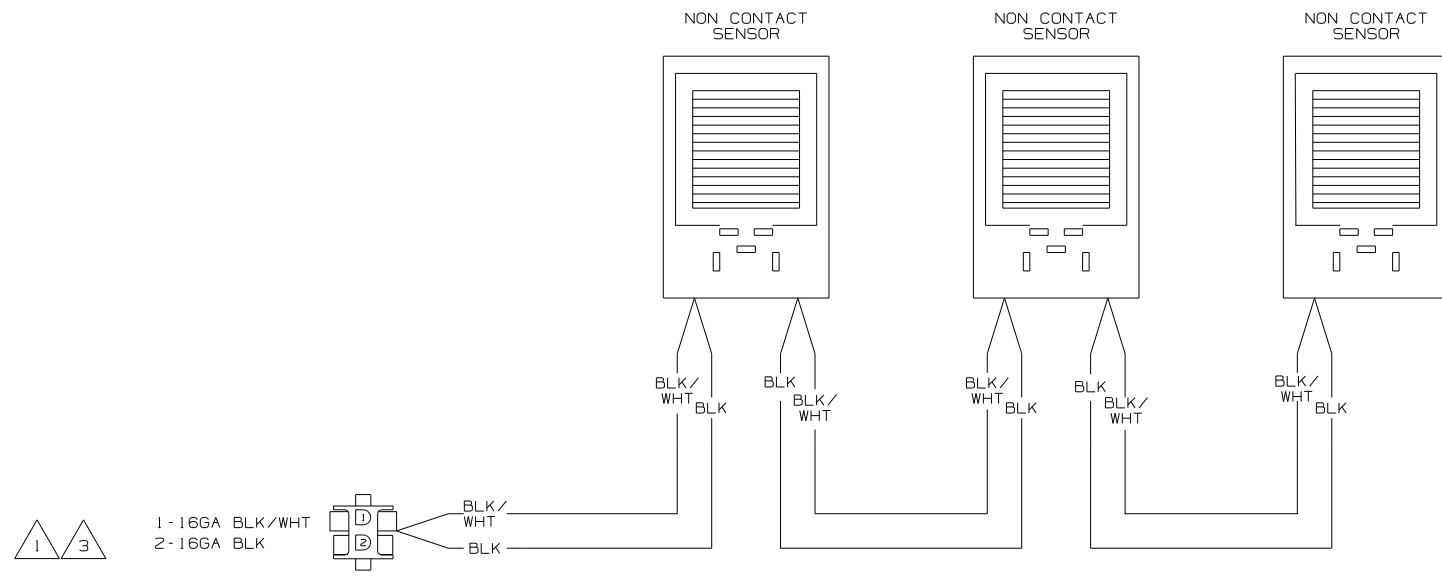
PHILIPS IND. INC.
 VENTLINE DIVISION
 BRISTOL, INDIANA 46507
 SCALE: NONE
 FUNCTION DRAWING, MONITOR PANEL
 DWG. NO. PAGE 2 OF 2
 LA1075-00

ENGLISH TOLERANCE UNLESS SPECIFIED:
 0 PL.: .040 1 PL.: .030
 2 PL.: .010 3 PL.: .005
 FRACTIONS ±1/64

FIRST USED	06 500 SERIES
TITLE:	DO NOT SCALE DRAWING
	PANEL - MONITOR
SHEET 12	PART NO 134940
	1 07/08/2004



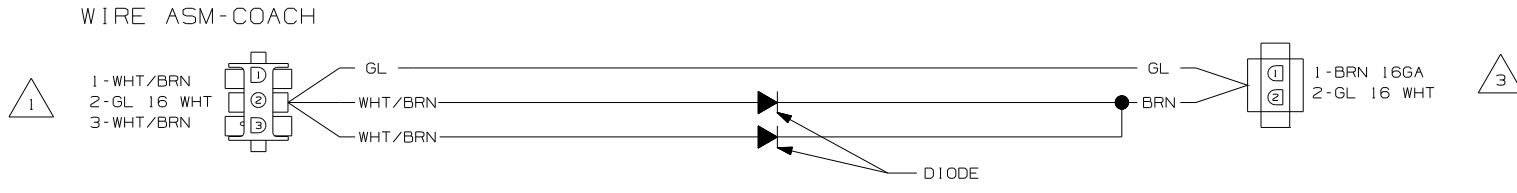
WIRING DIAGRAM-TANK, WATER
OR
WIRING DIAGRAM-TANK, MAIN
(WIRE ASM-151316 REV A)



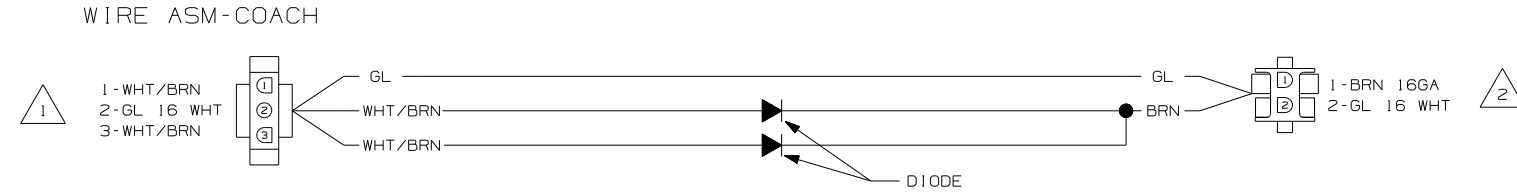
WIRING DIAGRAM-AUX HOLDING
(WIRE ASM-151317 REV A)

- NOTES:
- 3 IF TWO MONITOR PANELS ARE UTILIZED THIS WIRE ASM CONNECTS TO WIRE ASM-TANK,DIODE PACK 151808-01 SHT2.
 - 2 IF TWO MONITOR PANELS ARE UTILIZED THIS WIRE ASM CONNECTS TO WIRE ASM-TANK,DIODE PACK 151808-02 SHT2.
 - 1 IF ONLY ONE MONITOR PANEL IS USED SEE WIRING DIAGRAM-BODY FOR ADDITIONAL INFORMATION.

WINNEBAGO		COPYRIGHT 2004 WINNEBAGO INDUSTRIES, INC.	
DFTR	ORIG. DATE	ALL DIMENSIONS ARE IN MILLIMETERS	
CHKR		FIRST USED	
P.E.		05 MOTOR HOMES	
M.E.		UNSPECIFIED TOLERANCES ARE:	
DSNR		MATERIAL:	
		WHOLE DIM (X)	: 1
		ONE-PLACE (X.X)	: 1
		TWO-PLACE (X.XX)	: 1
		ANGLE	: 1
		THIRD ANGLE PROJECTION	: 1
DO NOT SCALE DRAWING			
TITLE: WIRING DIAGRAM-HOLDING TANKS			
SHEET 1 OF 2	PART NO	152594	
REF: NONE		1 9/8/2004	



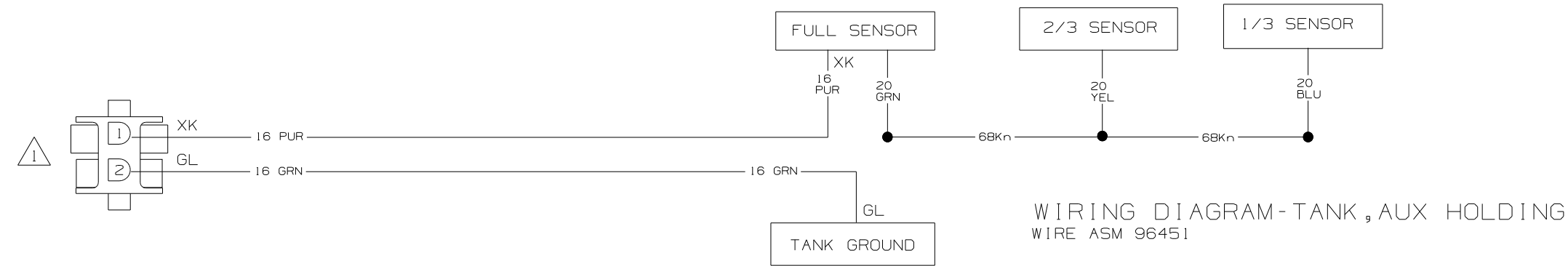
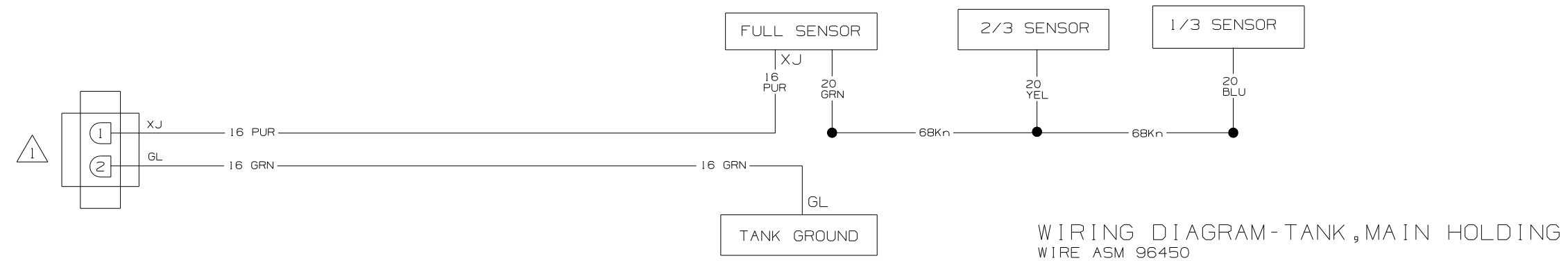
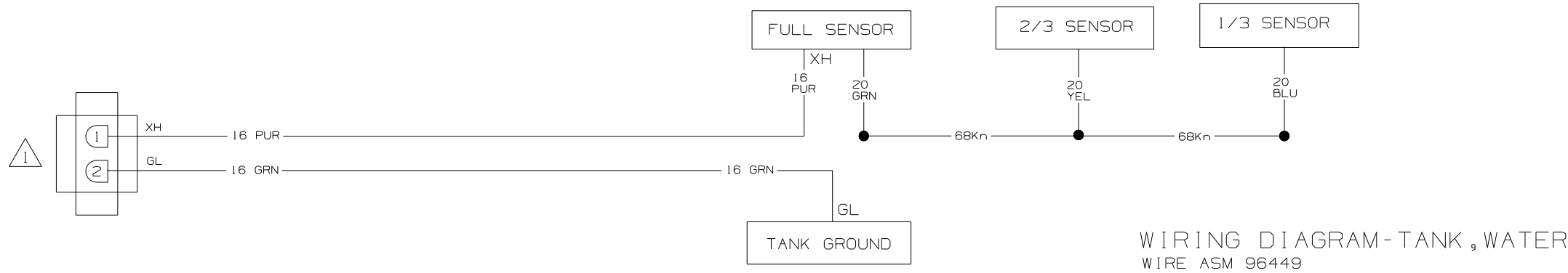
WIRING DIAGRAM-TANK,DIODE PACK
151808-01-000 REV A



WIRING DIAGRAM-TANK,DIODE PACK
151808-02-000 REV A

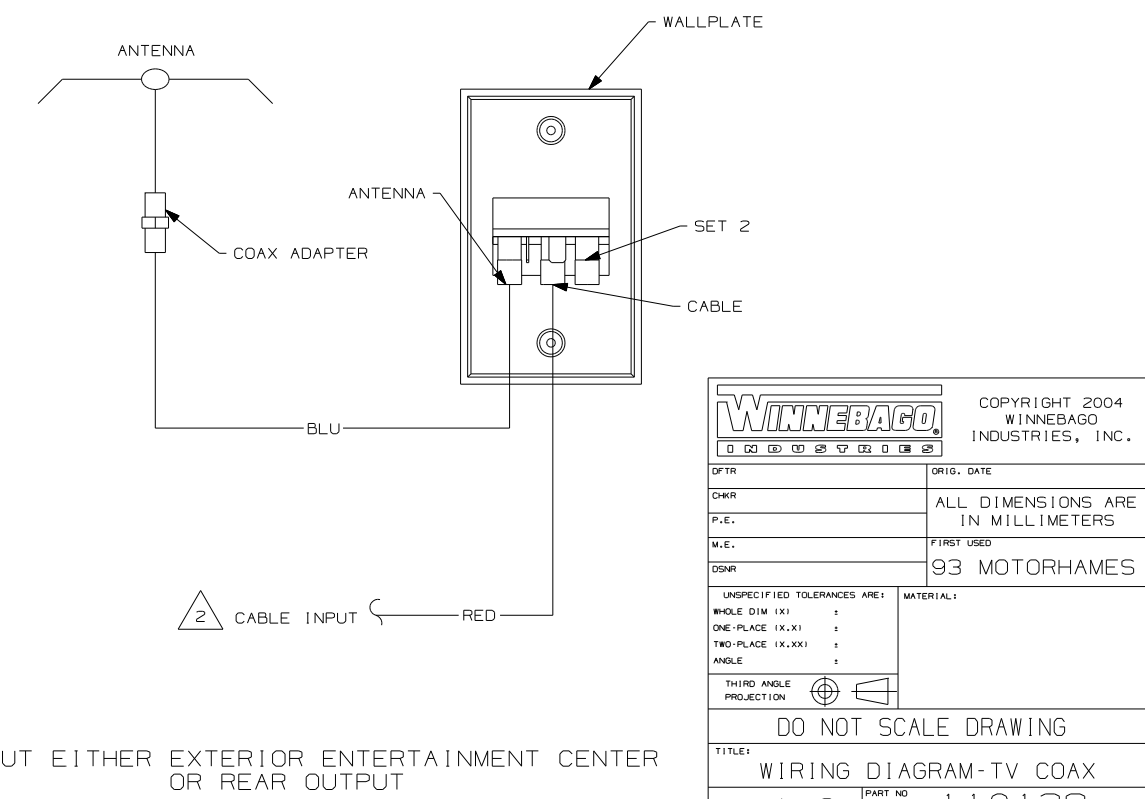
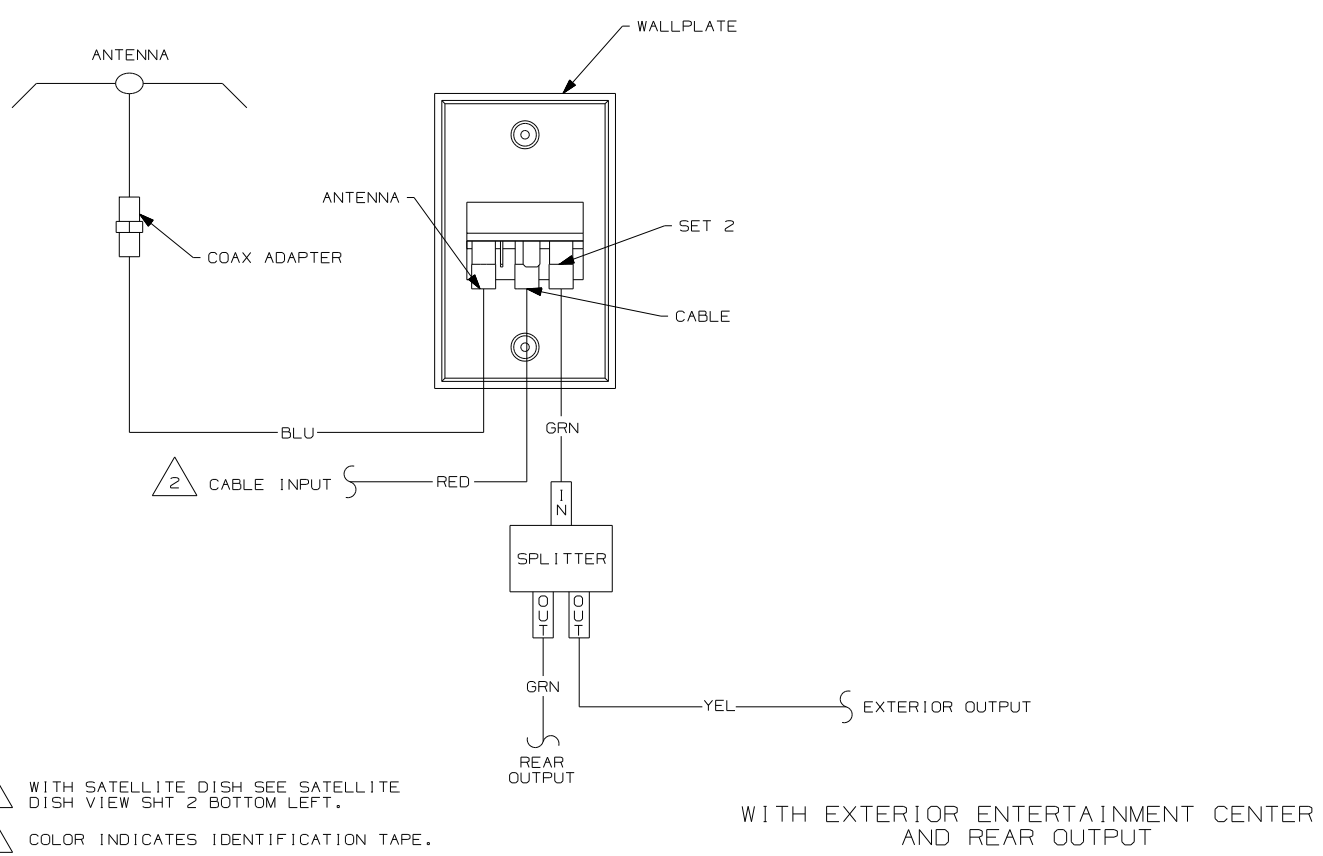
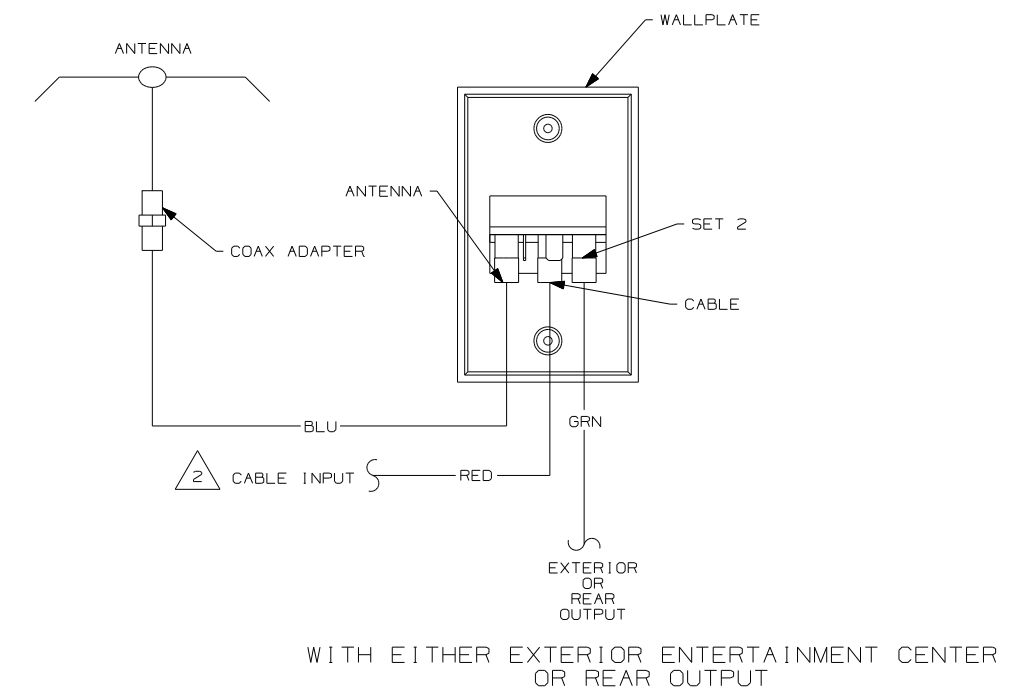
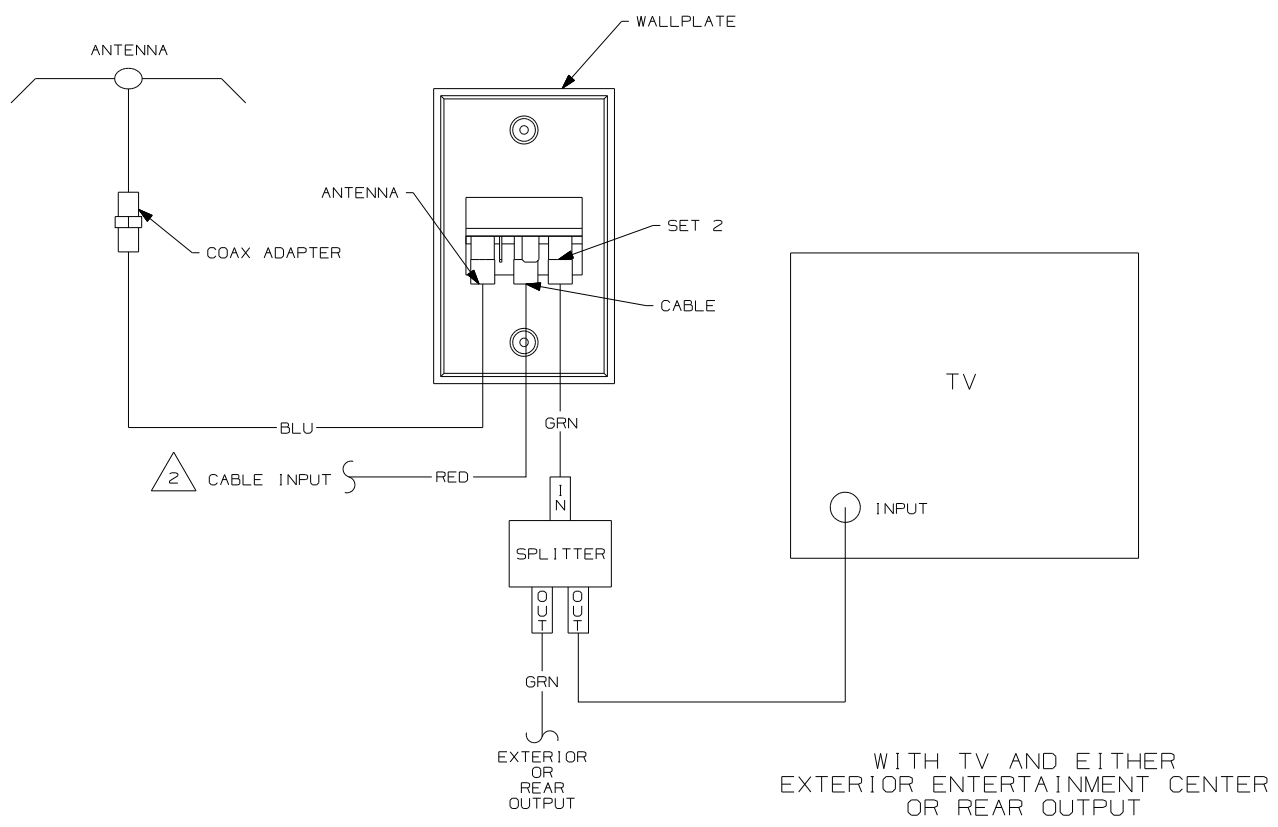
- NOTES:
- 3 CONNECT TO WIRE ASM-TANK,AUX. SEE SHT 1.
 - 2 CONNECT WIRE ASM-TANK,WATER OR MAIN. SEE SHT 1.
 - 1 SEE WIRING DIAGRAM-BODY FOR ADDITIONAL INFORMATION.

FIRST USED	
05 MOTOR HOMES	
DO NOT SCALE DRAWING	
TITLE:	
WIRING DIAGRAM-HOLDING TANKS	
SHEET 2	PART NO
	152594



NOTES:
1. SEE WIRING DIAGRAM-BODY FOR ADDITIONAL INFORMATION.

WINNEBAGO		COPYRIGHT 2004 WINNEBAGO INDUSTRIES, INC.	
DFTB	ORIG. DATE	ALL DIMENSIONS ARE IN MILLIMETERS	
CHKR		FIRST USED	
P.E.		03 SERIES	
M.E.		UNSPECIFIED TOLERANCES ARE:	
DSNR		MATERIAL:	
		WHOLE DIM (X) :	
		ONE-PLACE (X.X) :	
		TWO-PLACE (X.XX) :	
		ANGLE :	
		THIRD ANGLE PROJECTION	
DO NOT SCALE DRAWING			
TITLE: WIRING DIAGRAM-HOLDING TANKS			
SHEET 1 OF 1	PART NO	110664	
REF:	1 07/08/2004		

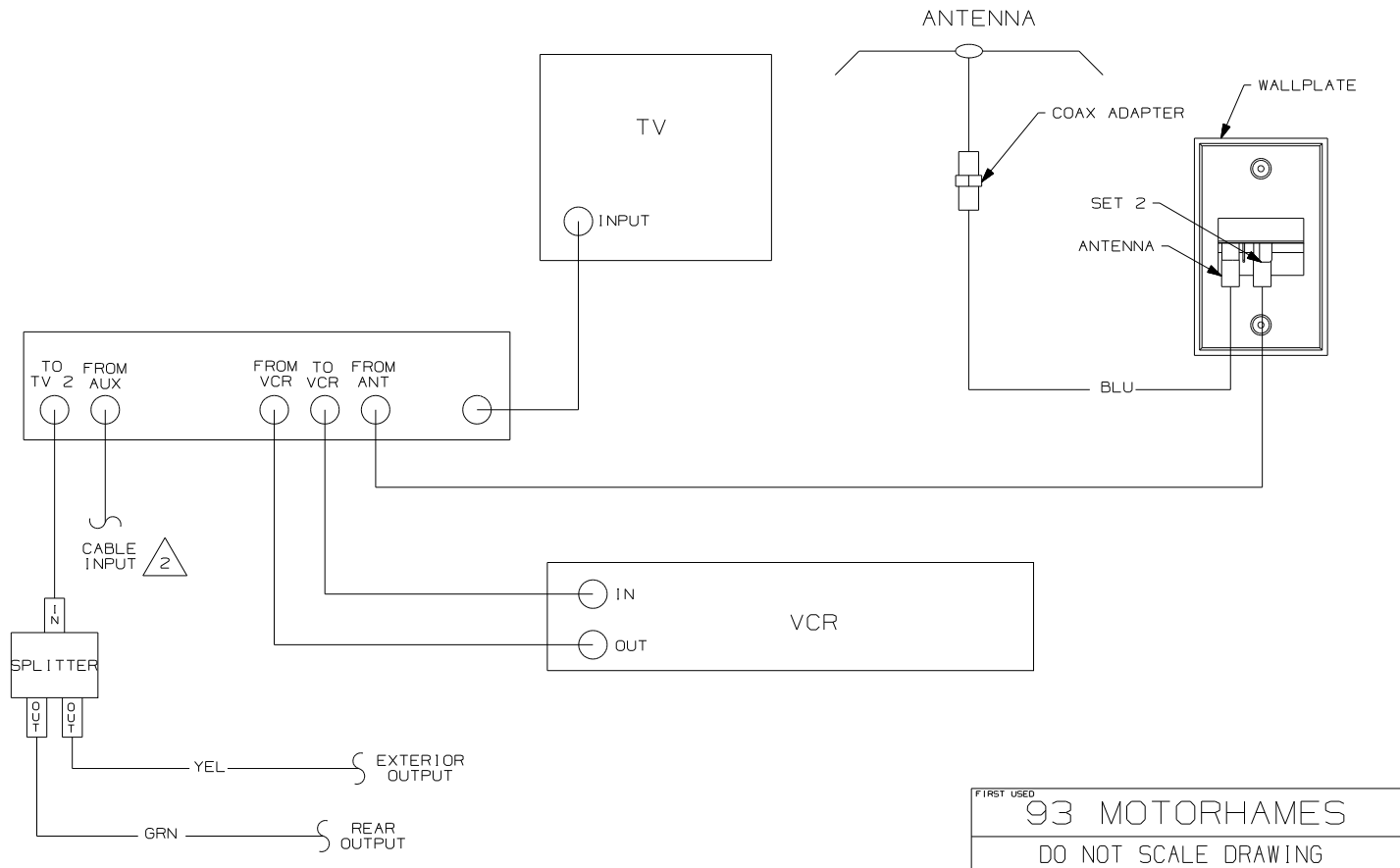
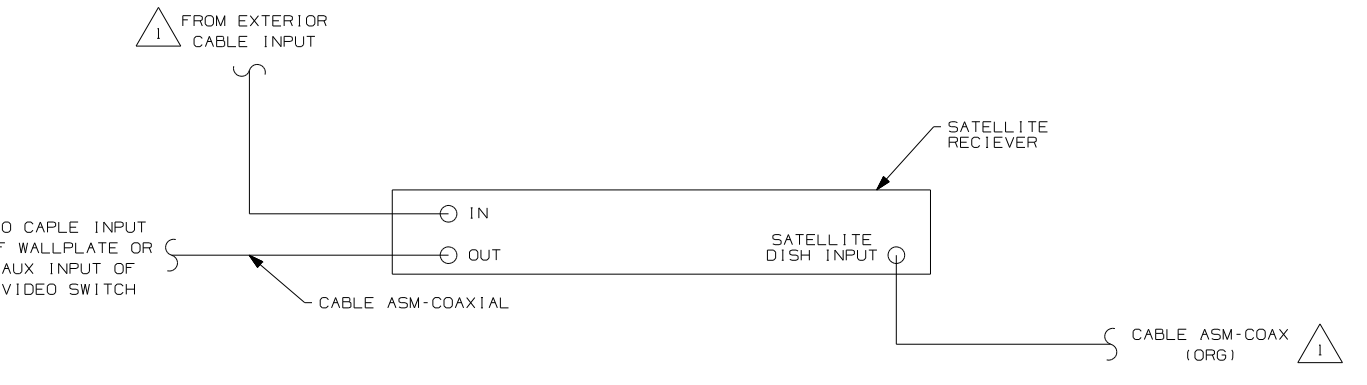
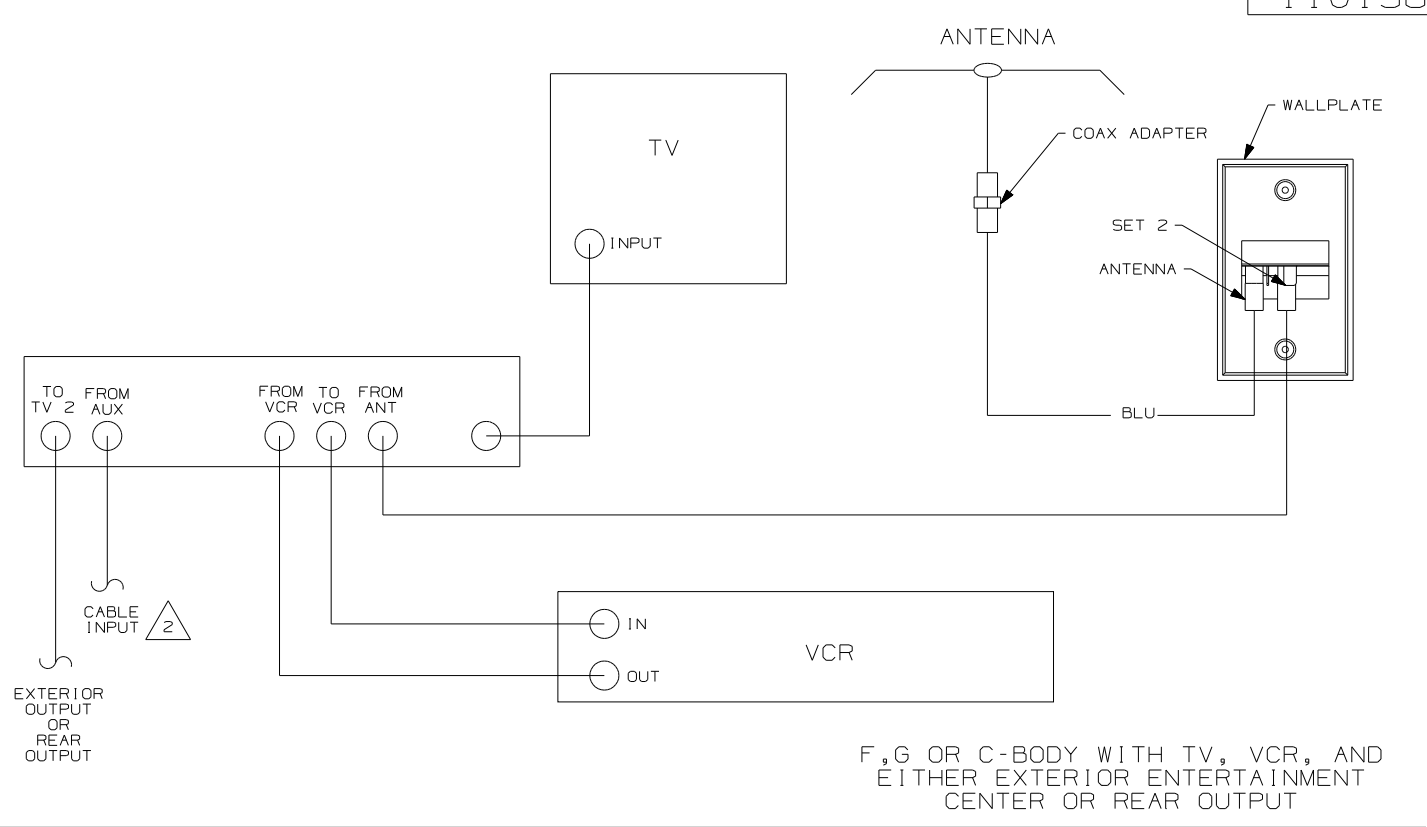
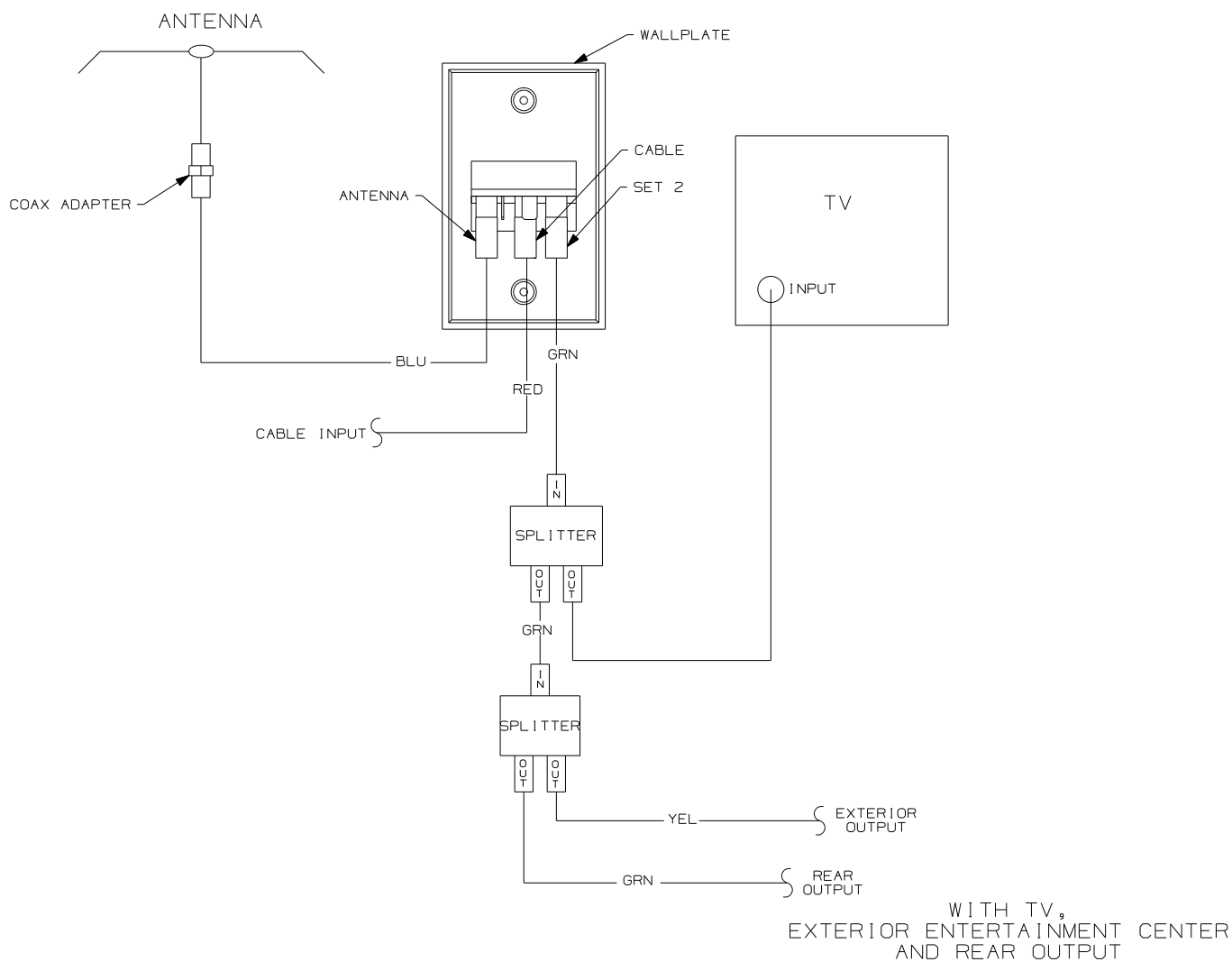


NOTES:

2 WITH SATELLITE DISH SEE SATELLITE DISH VIEW SHT 2 BOTTOM LEFT.

1 COLOR INDICATES IDENTIFICATION TAPE.

WINNEBAGO		COPYRIGHT 2004 WINNEBAGO INDUSTRIES, INC.	
DFTR	ORIG. DATE	ALL DIMENSIONS ARE IN MILLIMETERS	
CHKR		FIRST USED	
P.E.		93 MOTORHAMES	
M.E.		UNSPECIFIED TOLERANCES ARE:	
DSNR		MATERIAL:	
		WHOLE DIM (X)	:
		ONE-PLACE (X.X)	:
		TWO-PLACE (X.XX)	:
		ANGLE	:
		THIRD ANGLE PROJECTION	⊕
DO NOT SCALE DRAWING			
TITLE: WIRING DIAGRAM-TV COAX			
SHEET 1 OF 2	PART NO	110138	
REF:		1 07/08/2004	



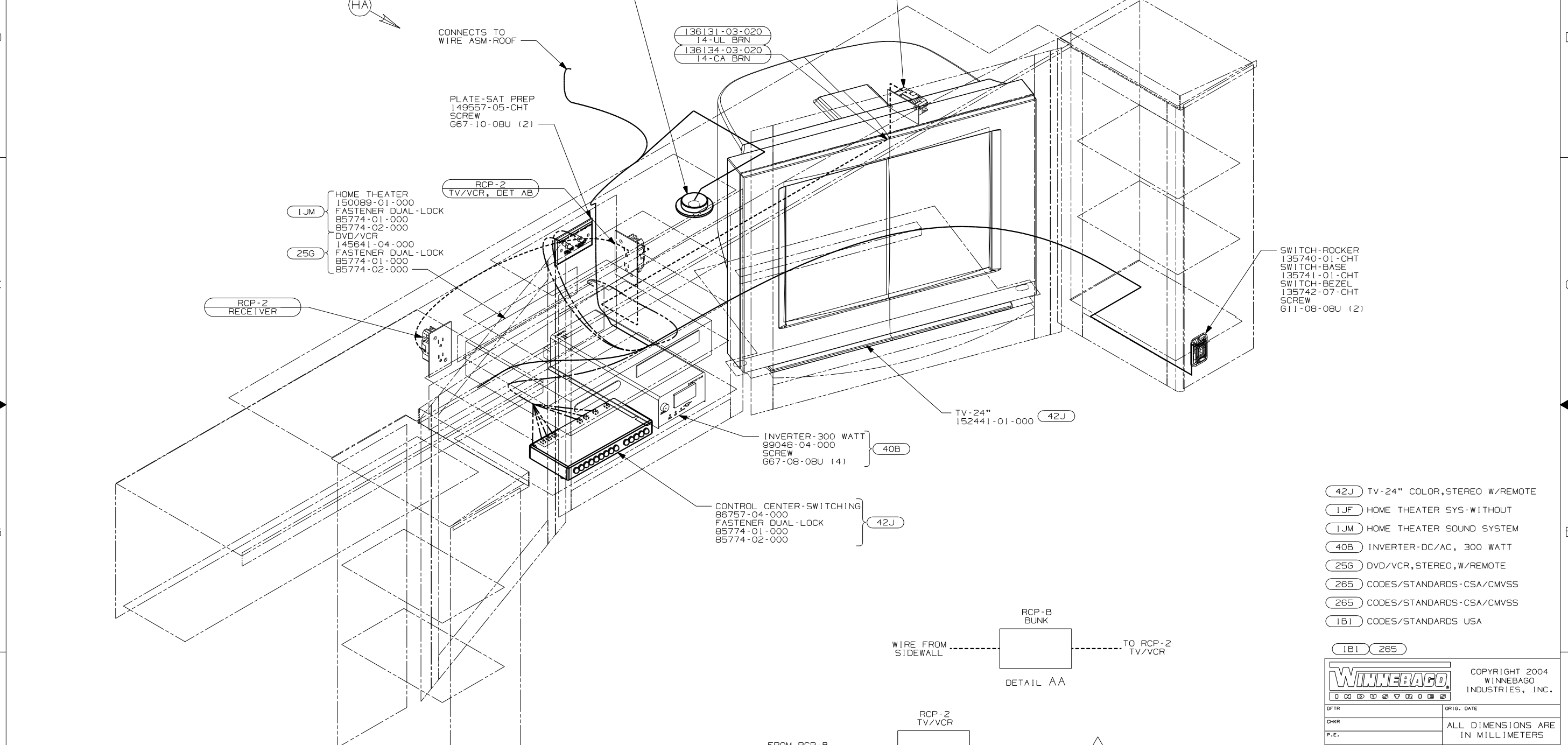
- NOTES:
- 2 WITH SATELLITE DISH SEE SATELLITE DISH VIEW BOTTOM LEFT.
 - 1 CONNECT TV COAX TO JACK ON FRONT OF WALLPLATE.

N,M OR P-SERIES WITH TV AND VCR OR
F,G OR C-BODY WITH TV, VCR, EXTERIOR
ENTERTAINMENT CENTER AND REAR OUTPUT

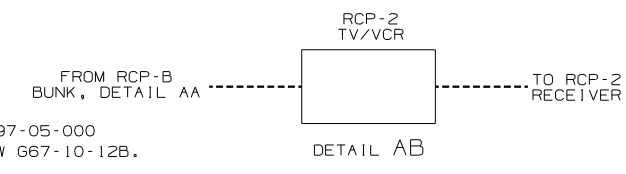
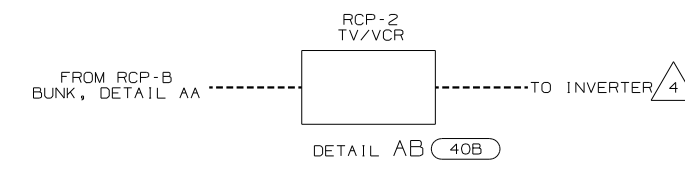
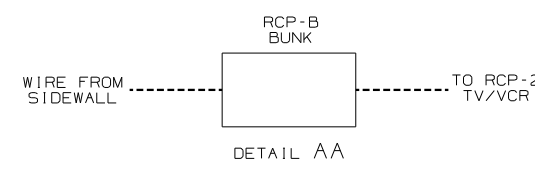
FIRST USED		93 MOTORHAMES	
DO NOT SCALE DRAWING			
TITLE: WIRING DIAGRAM-TV COAX			
SHEET 2	PART NO		110138

DRAWING NO.	MODEL	SHT
148527-01	300 SER	1,8,9
148527-02	400 SER	2,3,4,5
148527-03	700 SER	6,7

RELEASE	REV/DATE	1	DWG NO	148527
REV ZONE	REVISION RECORD		DATE	DFTR-ORIG



- (42J) TV-24" COLOR, STEREO W/REMOTE
- (1JF) HOME THEATER SYS-WITHOUT
- (1JM) HOME THEATER SOUND SYSTEM
- (40B) INVERTER-DC/AC, 300 WATT
- (25G) DVD/VCR, STEREO, W/REMOTE
- (265) CODES/STANDARDS-CSA/CMVSS
- (265) CODES/STANDARDS-CSA/CMVSS
- (1B1) CODES/STANDARDS USA
- (1B1) (265)



- NOTES:
- SEE WIRING INSTL-BODY, 12V & 110V FOR ADDITIONAL INFORMATION.
 - SEE SHT 8 FOR 110V AND 12V DETAILS.
 - SEE SHT 8 FOR COAX DETAILS.
 - ALL WIRES TO BE SECURED WITH CLAMP 10495-01-000 OR CLIP 80734-01-000 EVERY 600mm. USE SCREW G67-10-12B UNLESS OTHERWISE SPECIFIED. CONNECT INVERTER TO RCP-2 TV/VCR WITH FEATURE (40B).
 - 110V WIRE TO BE CLAMPED WITH CLAMP 10497-05-000 WITHIN 200mm OF OUTLET BOXES. USE SCREW G67-10-12B.

300 SERIES

FOR ELECTRICAL CALLOUTS SEE DWG NO. 121339-01-000

WINNEBAGO COPYRIGHT 2004 WINNEBAGO INDUSTRIES, INC.

DFTR	ORIG. DATE
CHKR	ALL DIMENSIONS ARE IN MILLIMETERS
P.E.	FIRST USED
M.E.	300/400/700 SER
DSNR	

UNSPECIFIED TOLERANCES ARE: MATERIAL:

WHOLE DIM (X) :
ONE-PLACE (X.X) :
TWO-PLACE (X.XX) :
ANGLE :

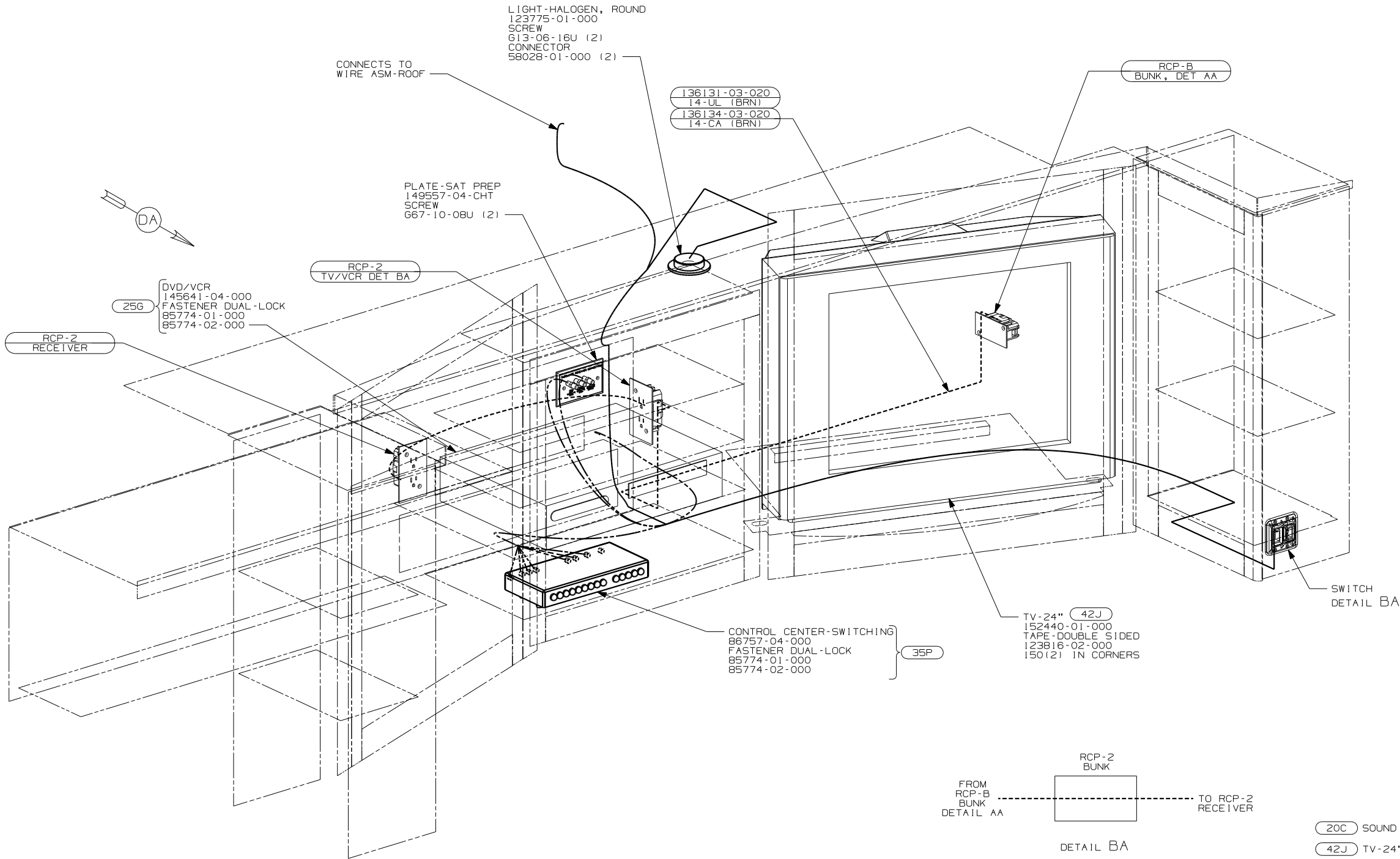
THIRD ANGLE PROJECTION

DO NOT SCALE DRAWING

TITLE: WIRING INSTL-TV/VCR, FRONT

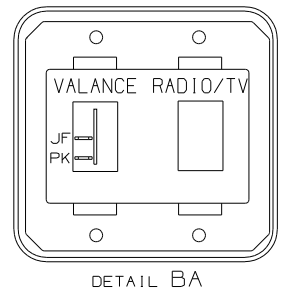
SHEET 1 OF 7 PART NO 148527

REF: 145662-M 3/25/2005

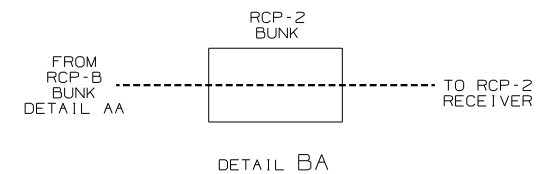


- 5. 110V WIRE TO BE CLAMPED WITH CLAMP 10497-05-000 WITHIN 200mm OF OUTLET BOXES. USE SCREW 667-10-12B.
- 4. ALL WIRES TO BE SECURED WITH CLAMP 10495-01-000 OR CLIP 80734-01-000 EVERY 600mm. USE SCREW 667-10-12B UNLESS OTHERWISE SPECIFIED.
- 3. SEE SHT 4 FOR COAX DETAILS.
- 2. SEE SHT 4 FOR 110V AND 12V DETAILS.
- 1. SEE WIRING INSTL-BODY, 12V & 110V FOR ADDITIONAL INFORMATION.

NOTES:



SWITCH-ROCKER
135740-01-CHT
SWITCH-BLANK
138253-01-CHT
SWITCH-BASE
135741-02-CHT
SWITCH-BEZEL
135742-29-CHT
SCREW
611-08-08U (4)

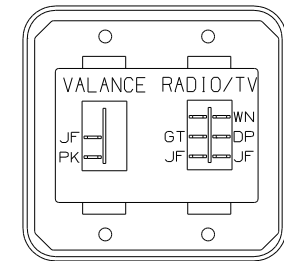
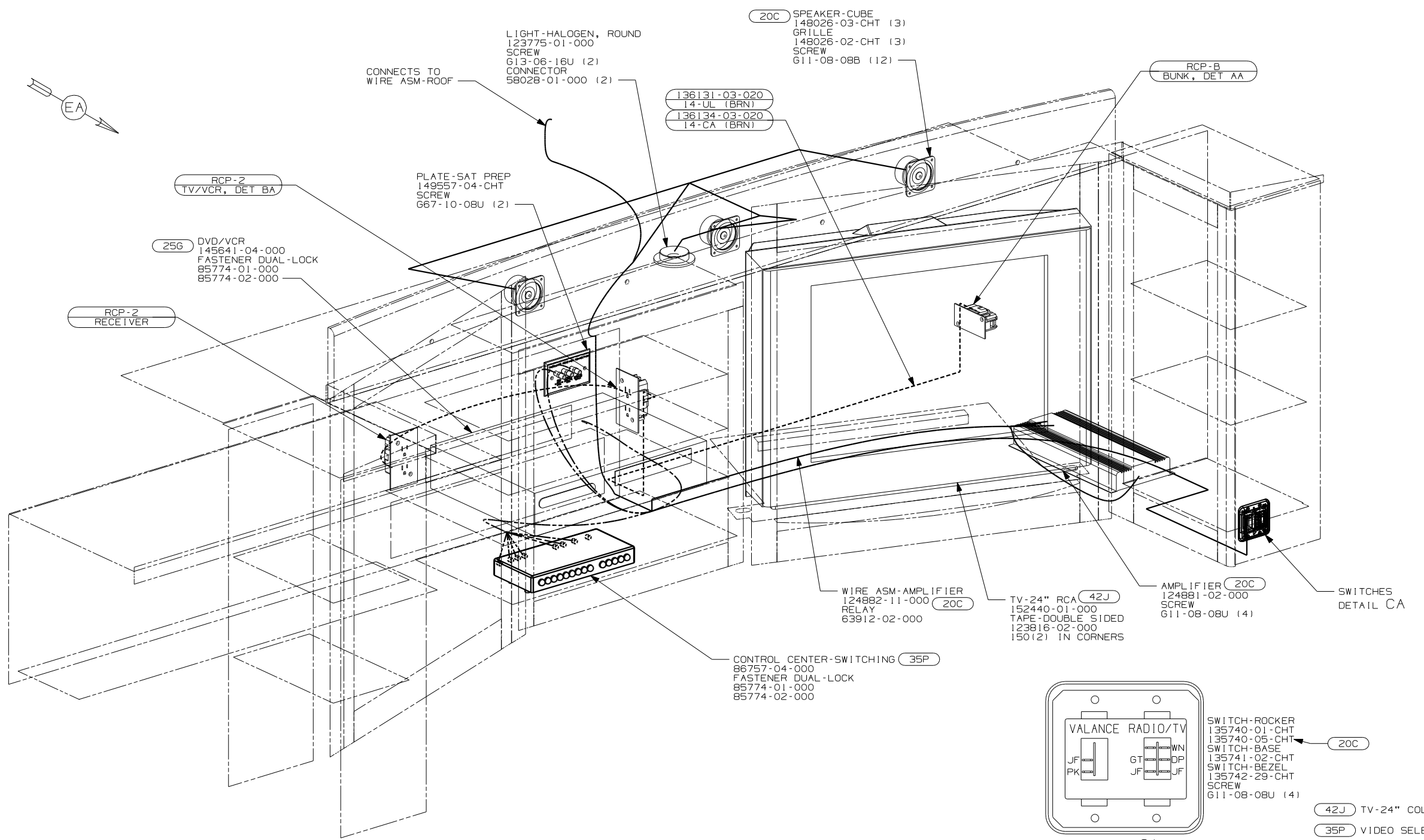


400 SERIES W/OUT 20C

(X-X)
FOR ELECTRICAL CALLOUTS SEE DWG NO. 121339-01-000

- 20C SOUND SYS. DLX. W/O-SURROUND
- 42J TV-24" COLOR, STEREO W/REMOTE
- 35P VIDEO SELECTION SYSTEM
- 25G DVD/VCR, STEREO, W/REMOTE
- 265 CODES/STANDARDS-CSA/CMVSS
- 1B1 CODES/STANDARDS USA

FIRST USED	
300/400/700 SER	
DO NOT SCALE DRAWING	
TITLE:	
WIRING INSTL-TV/VCR, FRONT	
SHEET 2	PART NO 148527



SWITCH-ROCKER
 135740-01-CHT
 135740-05-CHT
 SWITCH-BASE
 135741-02-CHT
 SWITCH-BEZEL
 135742-29-CHT
 SCREW
 611-08-08U (4)

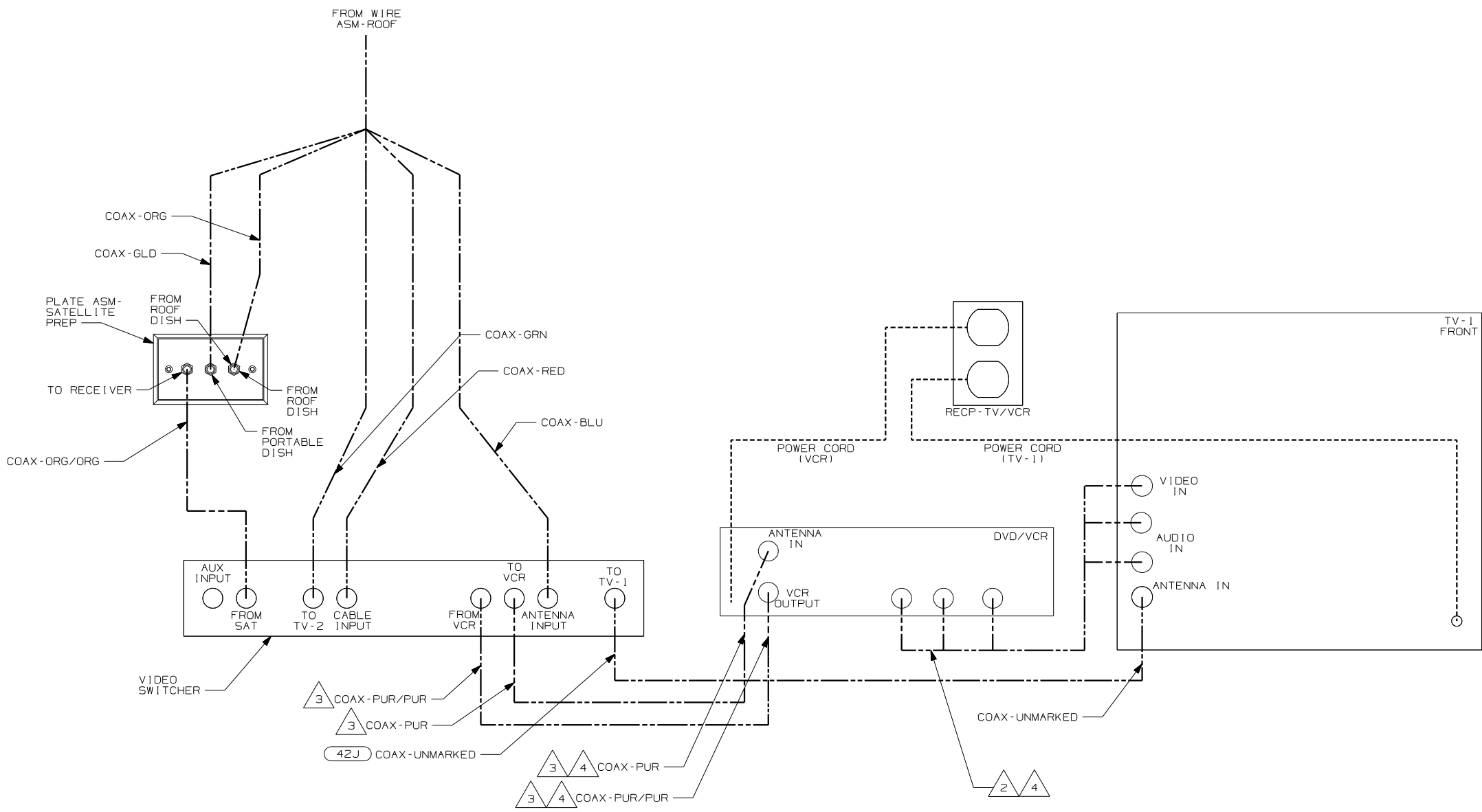
- (42J) TV-24" COLOR, STEREO W/REMOTE
- (35P) VIDEO SELECTION SYSTEM
- (25G) DVD/VCR, STEREO, W/REMOTE
- (20C) SOUND SYS. DLX. W/O-SURROUND
- (265) CODES/STANDARDS-CSA/CMVSS
- (1B1) CODES/STANDARDS USA

400 SERIES (20C)

(X-X) FOR ELECTRICAL CALLOUTS SEE DWG NO. 121339-01-000

- NOTES:
5. 110V WIRE TO BE CLAMPED WITH CLAMP 10497-05-000 WITHIN 200mm OF OUTLET BOXES. USE SCREW G67-10-12B.
 4. ALL WIRES TO BE SECURED WITH CLAMP 10495-01-000 OR CLIP 80734-01-000 EVERY 600mm. USE SCREW G67-10-12B UNLESS OTHERWISE SPECIFIED.
 3. SEE SHT 5 FOR COAX DETAILS.
 2. SEE SHT 5 FOR 110V AND 12V DETAILS.
 1. SEE WIRING INSTL-BODY, 12V & 110V FOR ADDITIONAL INFORMATION.

FIRST USED	
300/400/700 SER	
DO NOT SCALE DRAWING	
TITLE:	
WIRING INSTL-TV/VCR, FRONT	
SHEET 3	PART NO 148527



VIEW DA

- 5. ALL CONNECTIONS ARE SHOWN FROM BACKSIDE OF COMPONENTS.
- 4. CABLE IS ONLY USED WITH (25G). WITHOUT (25G) TAPE BACK TO HARNESS
- 3. CABLE IS FROM WIRE ASM-TV,FRONT.
- 2. SUPPLIED WITH DVD/VCR.

1. SEE WIRING INSTL-BODY, 12V FOR ADDITIONAL INFORMATION.

NOTES:

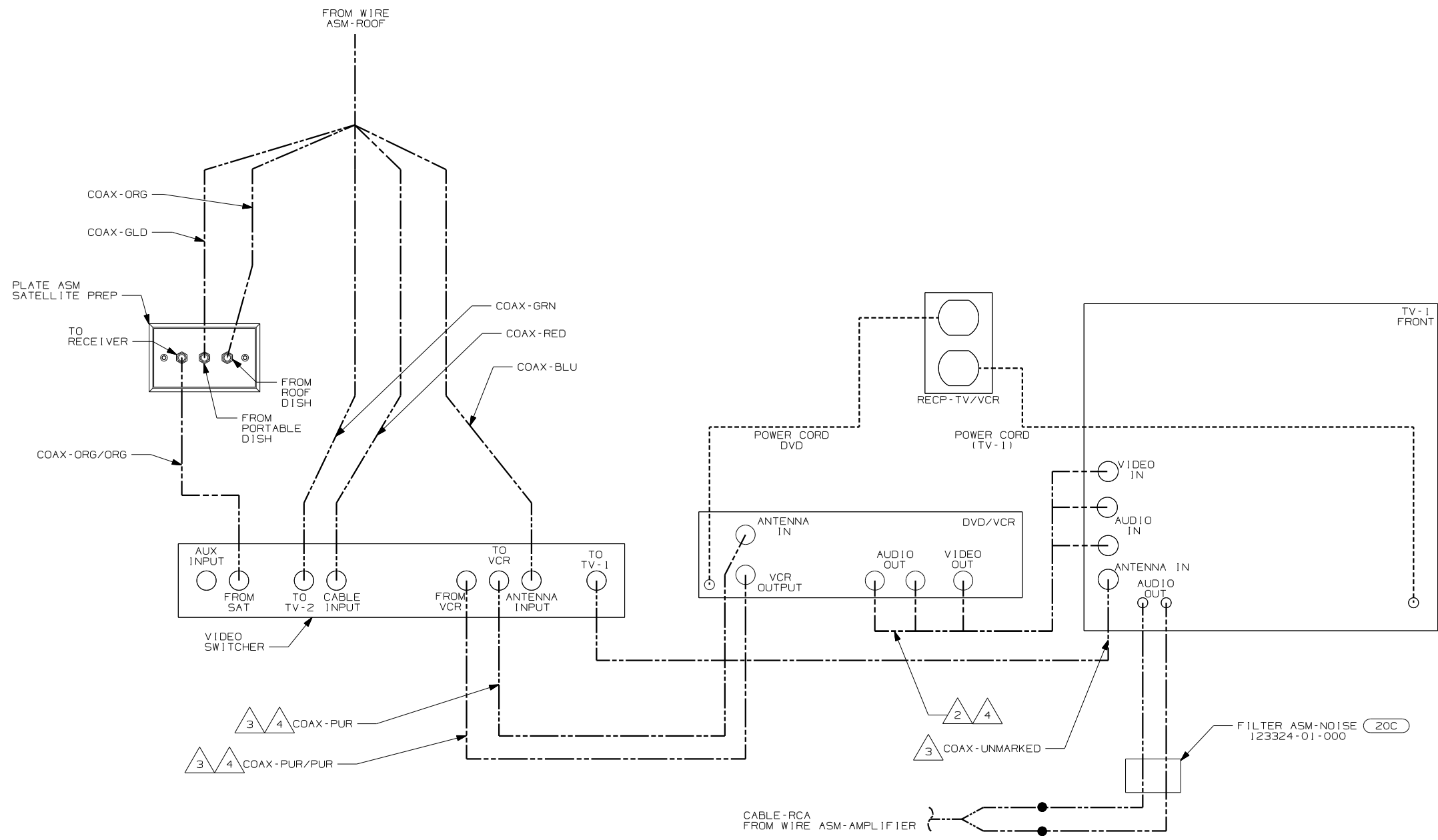
- (42J) TV-24" COLOR,STEREO W/REMOTE
- (40B) INVERTER-DC/AC, 300 WATT
- (35P) VIDEO SELECTION SYSTEM
- (25G) DVD/VCR,STEREO,W/REMOTE
- (265) CODES/STANDARDS-CSA/CMVSS
- (193) ANTENNA-TV, AMPLIFIED
- (1B1) CODES/STANDARDS-USA

(1B1) (265) (42E) (35P)

400 SERIES W/OUT (20C)

(X-X) FOR ELECTRICAL CALLOUTS SEE DWG NO. 121339-01-000

FIRST USED	
300/400/700 SER	
DO NOT SCALE DRAWING	
TITLE:	
WIRING INSTL-TV/VCR,FRONT	
SHEET 4	PART NO 148527



VIEW EA (20C)

5. ALL CONNECTIONS ARE SHOWN FROM BACKSIDE OF COMPONENTS.

- 4 CABLE IS ONLY USED WITH (25G). WITHOUT (25G) TAPE BACK TO HARNESS
- 3 CABLE IS FROM WIRE ASM-TV,FRONT.
- 2 SUPPLIED WITH DVD/VCR.

1. SEE WIRING INSLT-BODY, 12V FOR ADDITIONAL INFORMATION.

NOTES:

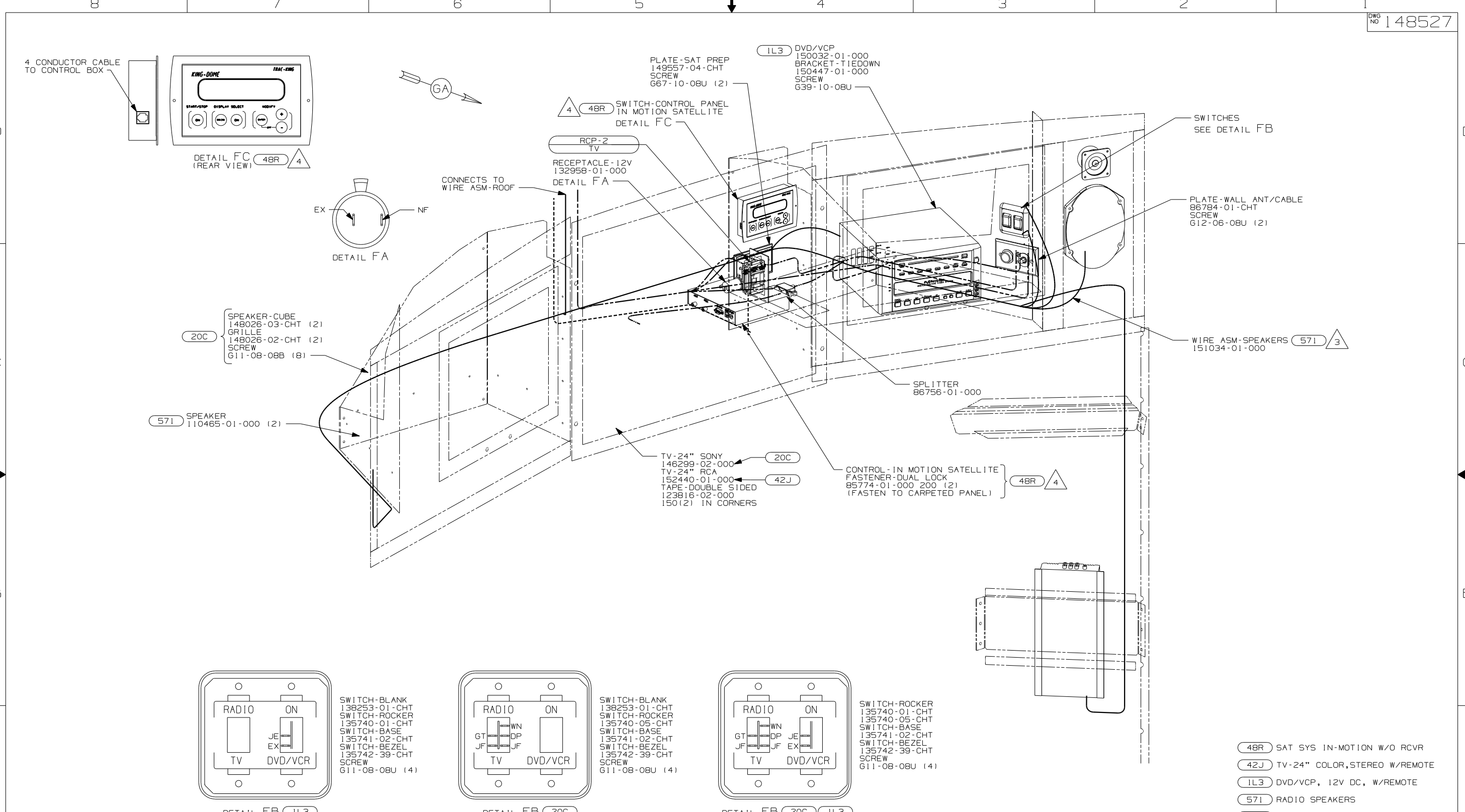
- (42J) TV-24" COLOR, STEREO W/REMOTE
- (25G) DVD/VCR, STEREO, W/REMOTE
- (20C) SOUND SYS. DLX. W/O-SURROUND
- (265) CODES/STANDARDS-CSA/CMVSS
- (193) ANTENNA-TV, AMPLIFIED
- (1B1) CODES/STANDARDS-USA

(1B1) (265) (20C)

400 SERIES WITH (20C)

(X-X) FOR ELECTRICAL CALLOUTS SEE DWG NO. 121339-01-000

FIRST USED	300/400/700 SER
TITLE	DO NOT SCALE DRAWING
TITLE	WIRING INSTL-TV/VCR,FRONT
SHEET 5	PART NO 148527



4 CONDUCTOR CABLE TO CONTROL BOX

DETAIL FC (REAR VIEW) 48R 4

EX NF

DETAIL FA

CONNECTS TO WIRE ASM-ROOF

RECEPTACLE-12V 132958-01-000

DETAIL FA

48R SWITCH-CONTROL PANEL IN MOTION SATELLITE

DETAIL FC

RCP-2 TV

PLATE-SAT PREP 149557-04-CHT

SCREW 667-10-08U (2)

IL3 DVD/VCP 150032-01-000

BRACKET-TIEDOWN 150447-01-000

SCREW 639-10-08U

SWITCHES SEE DETAIL FB

PLATE-WALL ANT/CABLE 86784-01-CHT

SCREW 612-06-08U (2)

WIRE ASM-SPEAKERS 151034-01-000

571 3

SPLITTER 86756-01-000

TV-24" SONY 146299-02-000

TV-24" RCA 152440-01-000

TAPE-DOUBLE SIDED 123816-02-000

150(2) IN CORNERS

20C

42J

CONTROL-IN MOTION SATELLITE FASTENER-DUAL LOCK 85774-01-000 200 (2)

(FASTEN TO CARPETED PANEL)

48R 4

20C

48R 4

571 SPEAKER 110465-01-000 (2)

20C

SPEAKER-CUBE 148026-03-CHT (2)

GRILLE 148026-02-CHT (2)

SCREW 611-08-08B (8)

SWITCH-BLANK 138253-01-CHT

SWITCH-ROCKER 135740-01-CHT

SWITCH-BASE 135740-05-CHT

SWITCH-BASE 135741-02-CHT

SWITCH-BEZEL 135742-39-CHT

SCREW 611-08-08U (4)

SWITCH-BLANK 138253-01-CHT

SWITCH-ROCKER 135740-01-CHT

SWITCH-BASE 135740-05-CHT

SWITCH-BASE 135741-02-CHT

SWITCH-BEZEL 135742-39-CHT

SCREW 611-08-08U (4)

SWITCH-ROCKER 135740-01-CHT

SWITCH-BASE 135740-05-CHT

SWITCH-BASE 135741-02-CHT

SWITCH-BEZEL 135742-39-CHT

SCREW 611-08-08U (4)

DETAIL FB (IL3)

DETAIL FB (20C)

DETAIL FB (20C) (IL3)

48R SAT SYS IN-MOTION W/O RCVR

42J TV-24" COLOR, STEREO W/REMOTE

IL3 DVD/VCP, 12V DC, W/REMOTE

571 RADIO SPEAKERS

20C SOUND SYS. DLX. W/O-SURROUND 700 SERIES

100±13 TO NEXT SPLICE

50±13 TO NEAREST JUNCTION

PLASTIC 4297-02-000 (.014 KG/SPLICE)

15 SPLICE

SPLICE DETAIL

FOR ELECTRICAL CALLOUTS SEE DWG NO. 121339-01-000

X-X

NOTES:

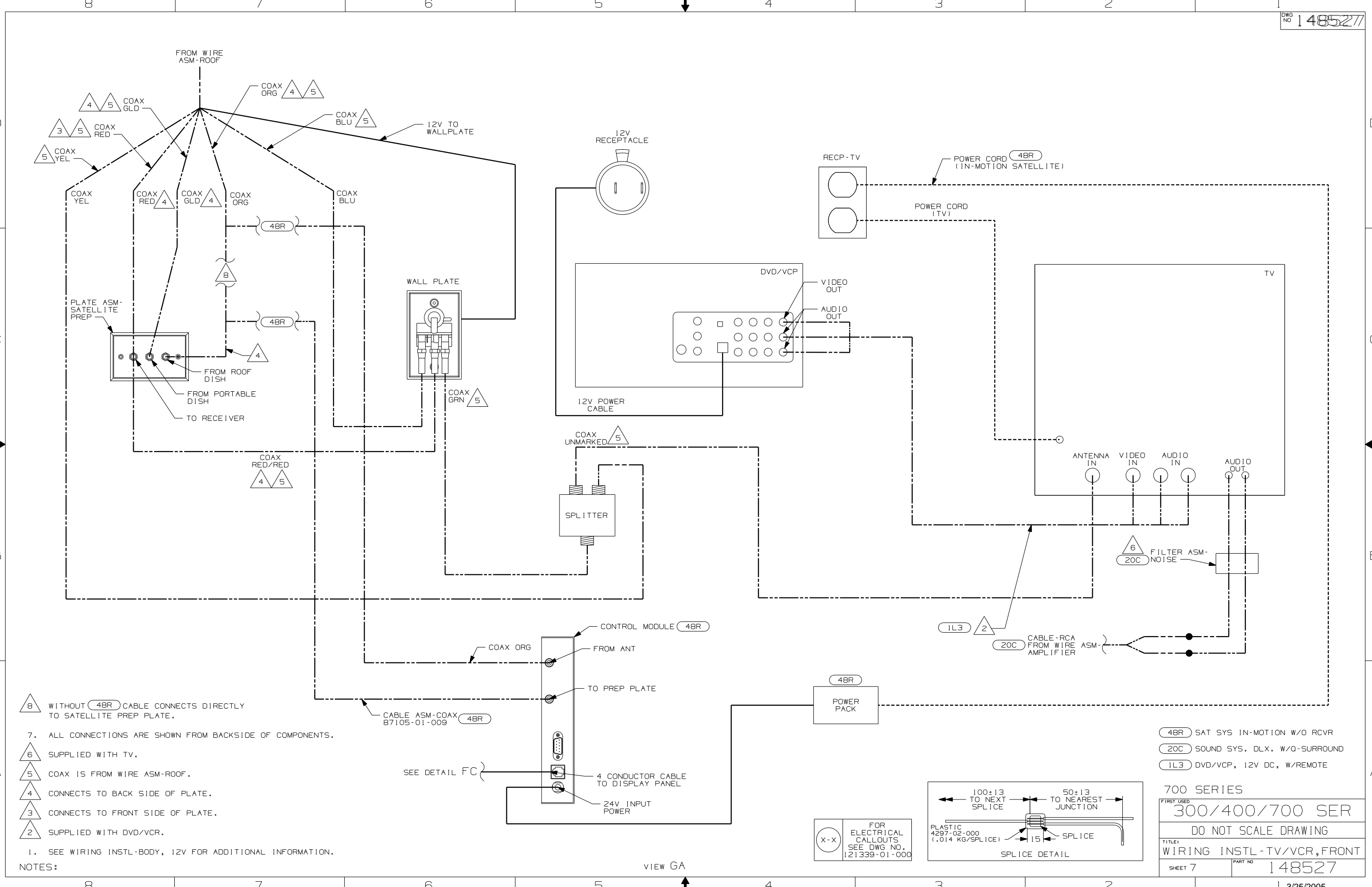
1. SEE WIRING INSTL-BODY, 12 & 110V FOR ADDITIONAL INFORMATION.

2. SEE SHT 7 FOR 110V, 12V AND COAX DETAIL.

3. NOT USED WITH (20C)

4. PARTS ARE SUPPLIED WITH SATELLITE KIT 154474-02-000.

FIRST USED	300/400/700 SER
TITLE	DO NOT SCALE DRAWING
TITLE	WIRING INSTL-TV/VCR, FRONT
SHEET 6	PART NO 148527



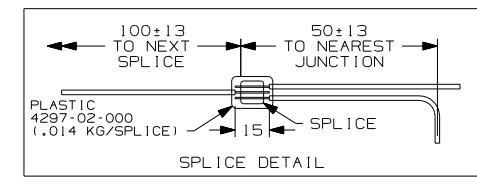
- 8 WITHOUT 48R CABLE CONNECTS DIRECTLY TO SATELLITE PREP PLATE.
- 7. ALL CONNECTIONS ARE SHOWN FROM BACKSIDE OF COMPONENTS.
- 6 SUPPLIED WITH TV.
- 5 COAX IS FROM WIRE ASM-ROOF.
- 4 CONNECTS TO BACK SIDE OF PLATE.
- 3 CONNECTS TO FRONT SIDE OF PLATE.
- 2 SUPPLIED WITH DVD/VCR.

NOTES:
1. SEE WIRING INSTL-BODY, 12V FOR ADDITIONAL INFORMATION.

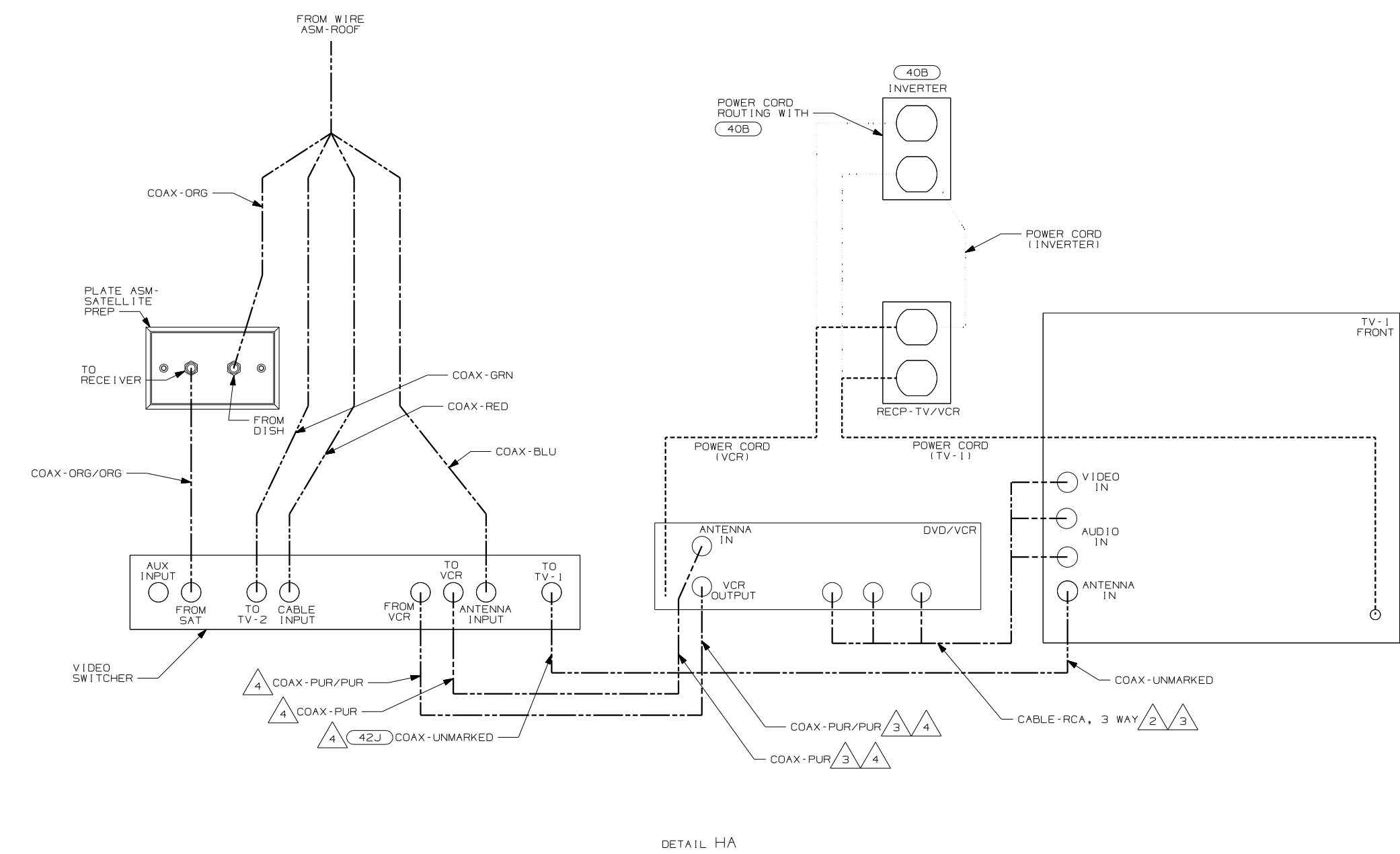
48R SAT SYS IN-MOTION W/O RCVR
20C SOUND SYS. DLX. W/O-SURROUND
1L3 DVD/VCP, 12V DC, W/REMOTE

700 SERIES	
FIRST USED	
300/400/700 SER	
DO NOT SCALE DRAWING	
TITLE:	
WIRING INSTL-TV/VCR, FRONT	
SHEET 7	PART NO 148527

FOR ELECTRICAL CALLOUTS SEE DWG NO. 121339-01-000



VIEW GA



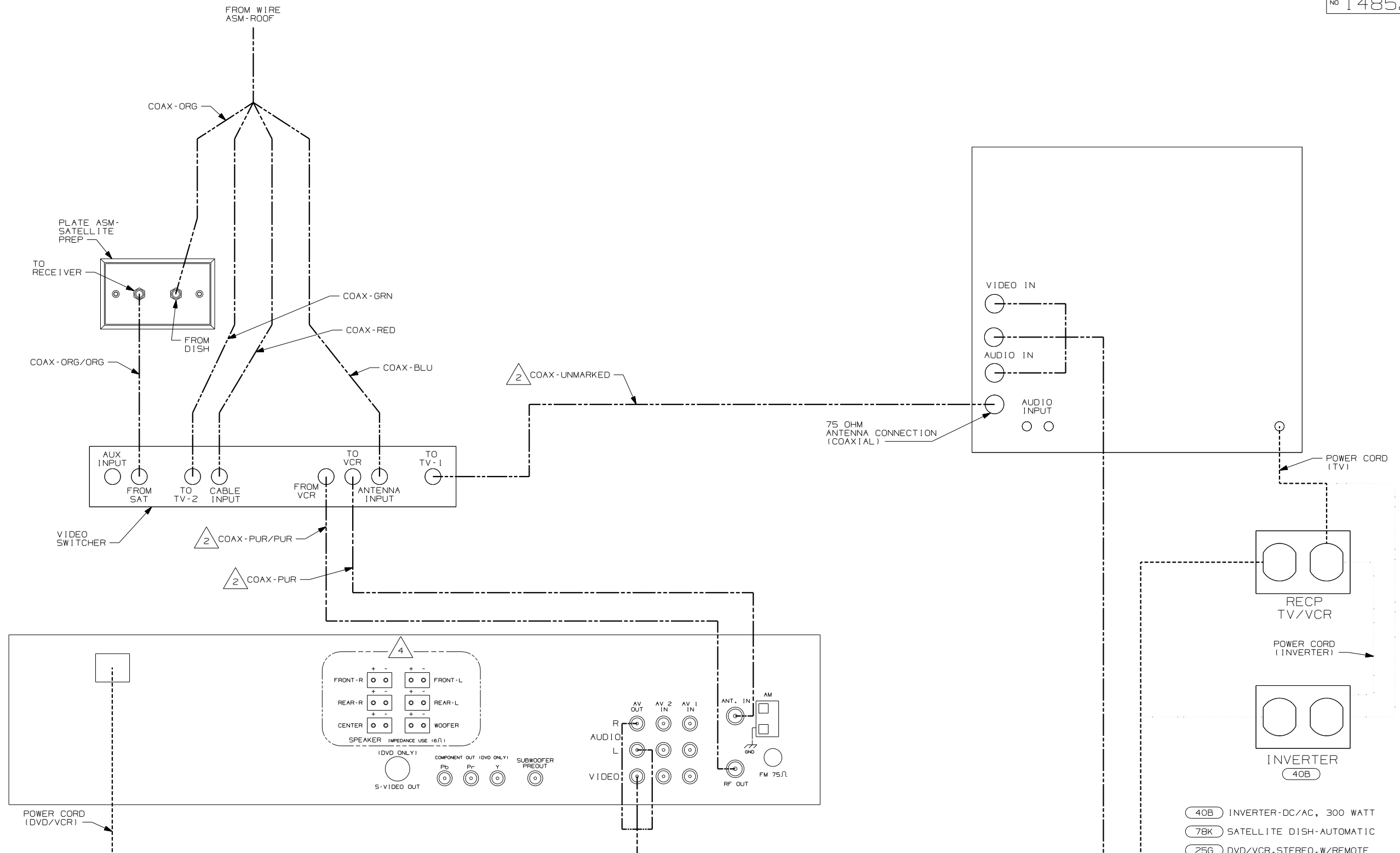
DETAIL HA

5. ALL CONNECTIONS ARE SHOWN FROM BACKSIDE OF COMPONENTS.
- 4 COAX IS FROM WIRE ASM-TV, FRONT.
 - 3 CABLE IS ONLY USED WITH (25G). WITHOUT (25G) TAPE BACK TO HARNESS.
 - 2 SUPPLIED WITH DVD/VCR
1. SEE WIRING INSTL-BODY, 12V FOR ADDITIONAL INFORMATION.
- NOTES:

- (42J) TV-24" COLOR, STEREO W/REMOTE
- (40B) INVERTER-DC/AC, 300 WATT
- (35P) VIDEO SELECTION SYSTEM
- (25G) DVD/VCR, STEREO, W/REMOTE
- (265) CODES/STANDARDS-CSA/CMVSS
- (193) ANTENNA-TV, AMPLIFIED
- (1B1) CODES/STANDARDS-USA

FIRST USED	
300/400/700 SER	
DO NOT SCALE DRAWING	
TITLE:	
WIRING INSTL-TV/VCR, FRONT	
SHEET 8	PART NO 148527

300 SERIES



- NOTES:**
- 4 CUT SUPPLIED SPEAKER WIRES TO A LENGTH OF 150MM AND CONNECT TO MATCHING CIRCUITS ON WIRE ASM-SIDE TV.
 - 3 CABLE IS SUPPLIED WITH DVD/VCR.
 - 2 COAX IS FROM WIRE ASM-TV,FRONT.
 - 1 CABLE ASM MARKED WITH COLORED TAPE.

5. ALL CONNECTIONS ARE SHOWN FROM BACKSIDE OF COMPONENTS.

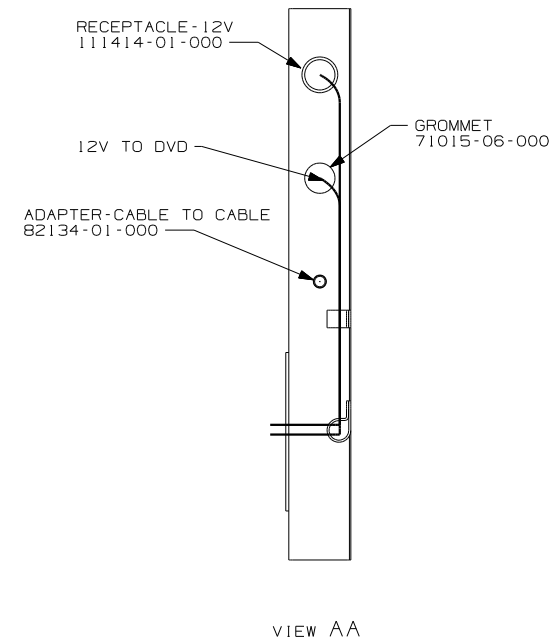
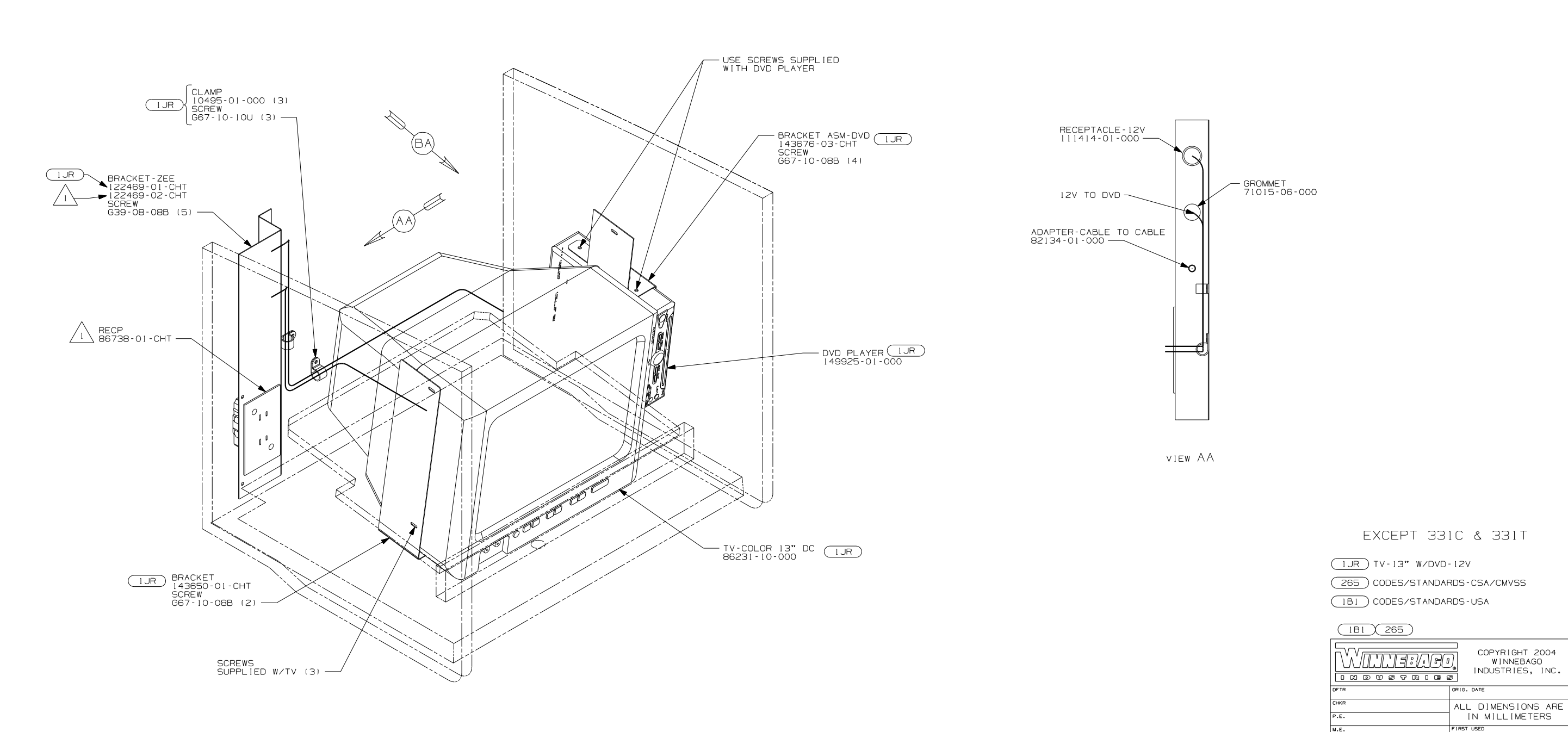
DETAIL JA (1JM)

- 40B INVERTER-DC/AC, 300 WATT
- 78K SATELLITE DISH-AUTOMATIC
- 25G DVD/VCR,STEREO,W/REMOTE
- 1JM HOME THEATER SOUND SYSTEM

FIRST USED	
05 300 SERIES	
DO NOT SCALE DRAWING	
TITLE:	
WIRING INSTL-TV/VCR,FRONT	
SHEET 9	PART NO 148527

DRAWING NO.	SHEET
148534-01	1,2
148534-02	3,4,5
148534-03	6,7

RELEASE	REV DATE	DWG NO
A		148534
REV ZONE	REVISION RECORD	DATE



- 110V WIRE TO BE CLAMPED WITH CLAMP 10497-05-000 WITHIN 200MM OF OUTLET BOXES, USE SCREW G67-10-12B.
- ALL WIRES TO BE SECURED WITH CLAMP 10495-01-000 OR CLIP 80734-01-000 EVERY 600MM. USE SCREW G67-10-12B UNLESS OTHERWISE SPECIFIED.
- FOR CONNECTIONS, SEE SHEET 2.

NOTES:
 1 NOT USED WITH 1JR

- EXCEPT 331C & 331T
- 1JR TV-13" W/DVD-12V
 - 265 CODES/STANDARDS-CSA/CMVSS
 - 1B1 CODES/STANDARDS-USA
- 1B1 265

WINNEBAGO COPYRIGHT 2004 WINNEBAGO INDUSTRIES, INC.

DFTR	ORIG. DATE
CHKR	ALL DIMENSIONS ARE IN MILLIMETERS
P.E.	
M.E.	FIRST USED
DSNR	05 C-BODY

UNSPECIFIED TOLERANCES ARE: MATERIAL:

WHOLE DIM (X)	:
ONE-PLACE (X.X)	:
TWO-PLACE (X.XX)	:
ANGLE	:

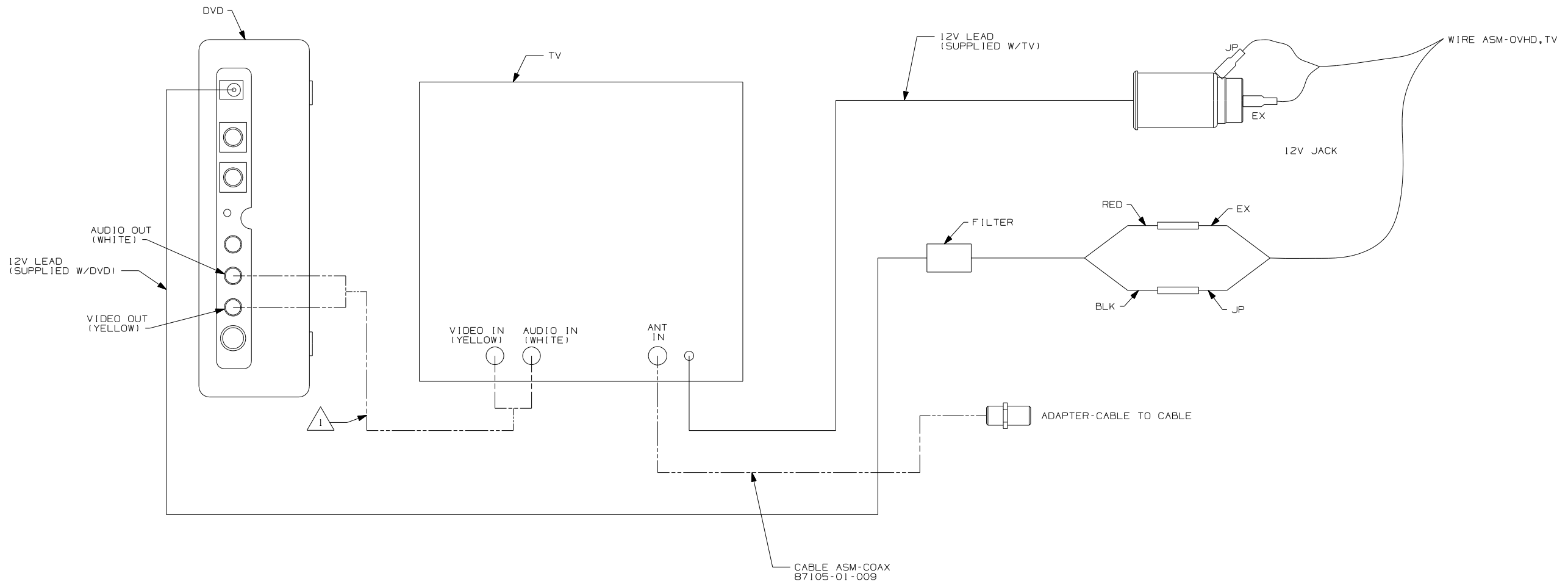
THIRD ANGLE PROJECTION

DO NOT SCALE DRAWING

TITLE: WIRING INSTL-TV/VCR,SIDE

SHEET 1 OF 7 PART NO 148534

REF: 145376 | 9/28/2004



VIEW BA

EXCEPT 331C & 331T

- 1JR TV-13" W/DVD-12V
- 265 CODES/STANDARDS-CSA/CMVSS
- 1B1 CODES/STANDARDS-USA

1B1 265 1JR

FIRST USED	
05 C-BODY	
DO NOT SCALE DRAWING	
TITLE:	
WIRING INSTL-TV/VCR,SIDE	
SHEET 2	PART NO 148534

NOTES:

1 CABLE SUPPLIED WITH DVD. RED CONNECTOR NOT USED.

40B INVERTER-300 WATT
99048-04-000
FASTENER DUAL-LOCK
85774-01-000
85774-02-000

RECP-TV,SIDE

42M TAPE-FOAM
90340-01-000
(1500MM)

IL4 TV-20" STEREO
149040-02-000
BRACKET-TIEDOWN,TV
148247-05-CHT
NUT-HEX
D14-05-00B (2)
WASHER-FLAT
E13-18-00B (2)
BOLT
C12-05-40B (2)

PLATE-SAT PREP

WIRE ASM-ROOF

EA

DA

1 12V WALLPLATE

1 WIRE ASM-RIGHT

42M CONTROL CENTER-SWITCHING
86757-04-000
BRACKET
118847-02-CHT

256 DVD/VCR
145641-04-000
FASTENER DUAL-LOCK
85774-01-000
85774-02-000

331C & 331T SIDE ENTERTAINMENT CENTER

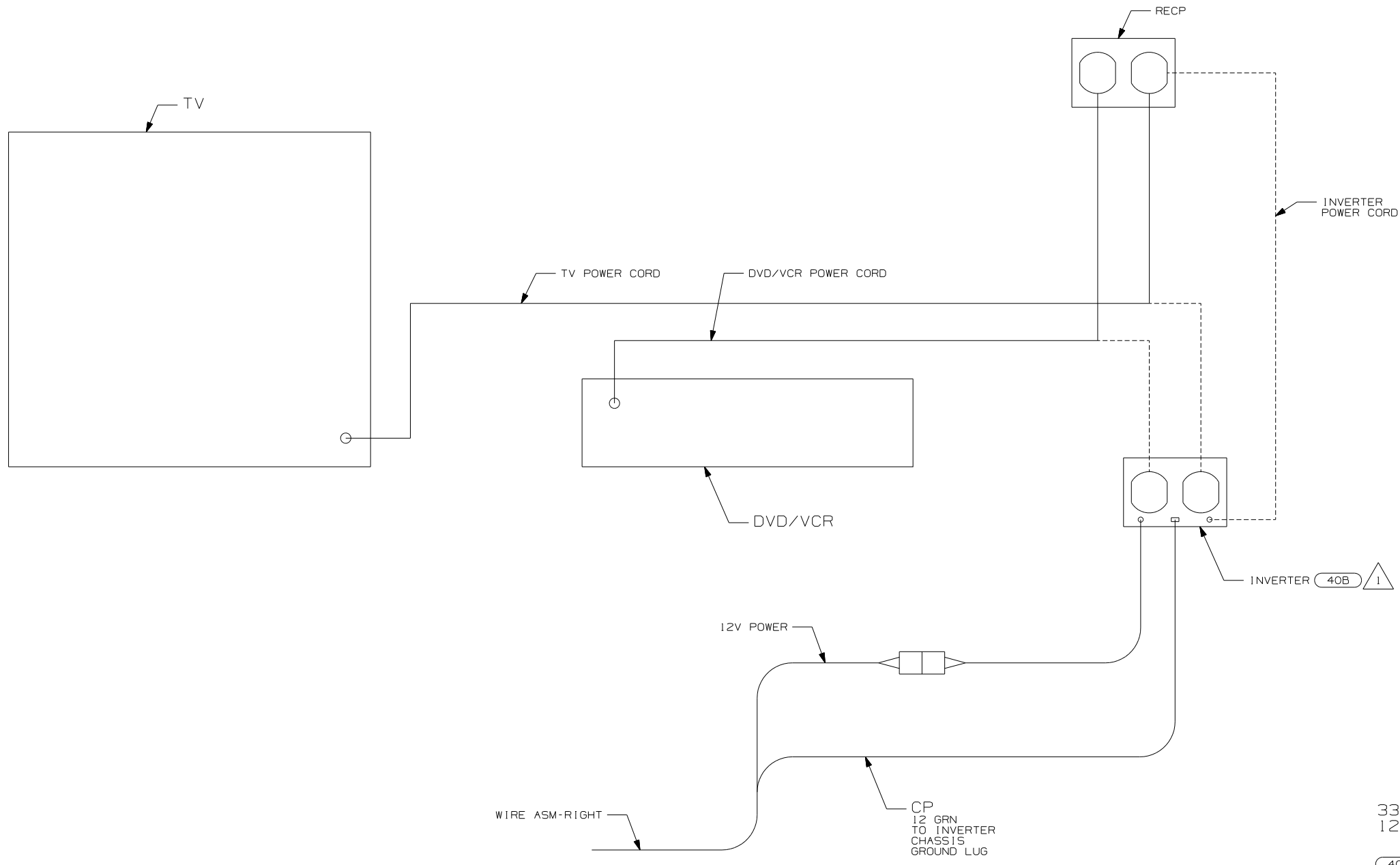
- IL4 TV-20" W/VIDEO SELECTION SYS
- 40B INVERTER-DC/AC-300 WATT
- 256 DVD/VCR,STEREO,W/REMOTE
- 265 CODES/STANDARDS-CSA/CMVSS
- 1B1 CODES/STANDARDS-USA

1B1 265

FIRST USED	05 C-BODY	
TITLE	DO NOT SCALE DRAWING	
TITLE	WIRING INSTL-TV/VCR,SIDE	
SHEET 3	PART NO	148534

5. 110V WIRE TO BE CLAMPED WITH CLAMP 10497-05-000 WITHIN 200MM OF OUTLET BOXES, USE SCREW G67-10-12B.
 4. ALL WIRES TO BE SECURED WITH CLAMP 10495-01-000 OR CLIP 80734-01-000 EVERY 600MM. USE SCREW G67-10-12B UNLESS OTHERWISE SPECIFIED.
 3. FOR COAX CONNECTIONS, SEE SHEET 5.
 2. FOR 12V AND 110V CONNECTIONS, SEE SHEET 4.
- 1 CLAMP 83610-01-000, SCREW G39-08-12B.

NOTES:

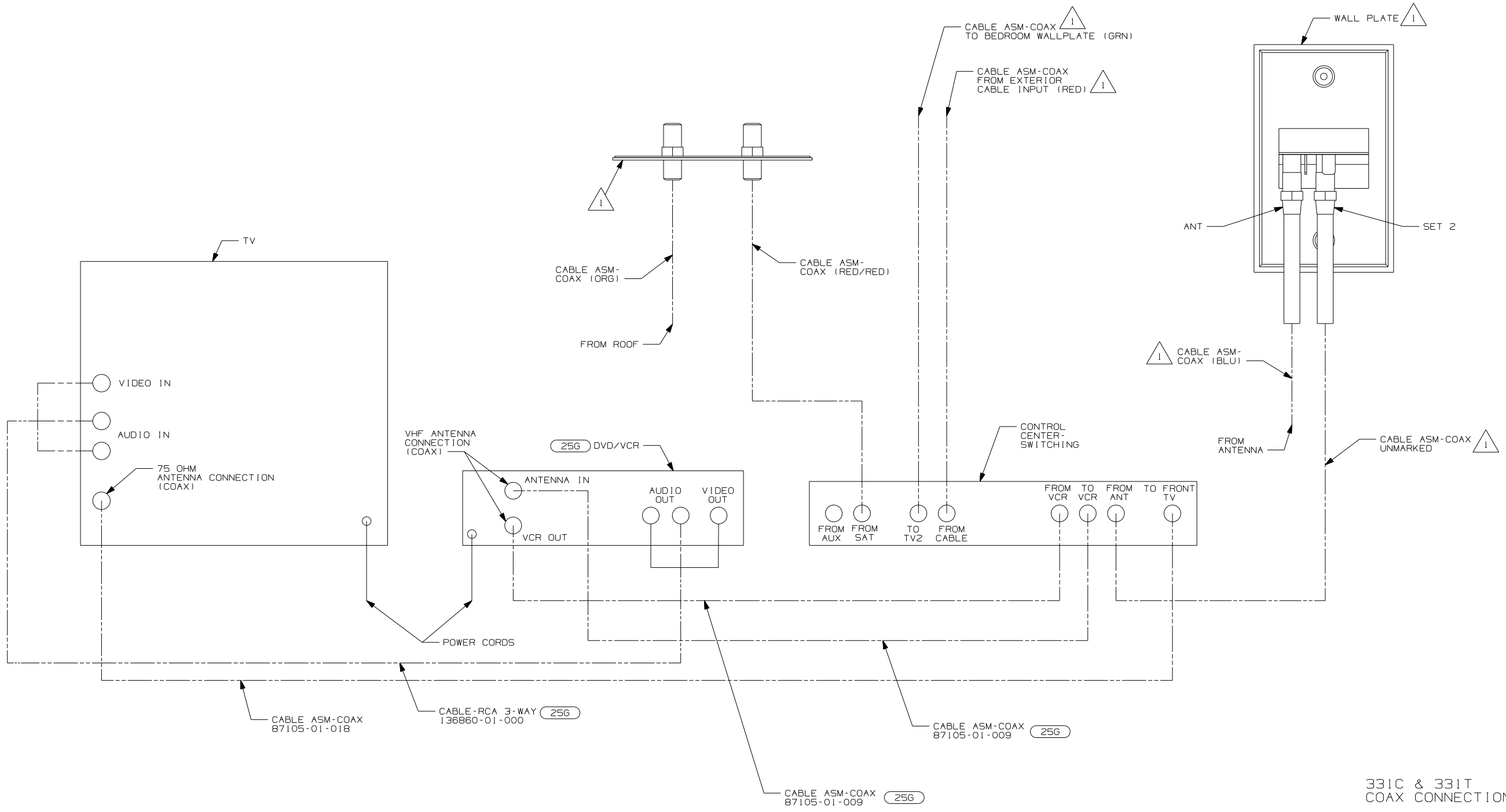


331C & 331T
12V AND 110V CONNECTIONS

- (40B) INVERTER-DC/AC, 300 WATT
- (265) CODES/STANDARDS-CSA/CMVSS
- (1B1) CODES/STANDARDS-USA

FIRST USED	
05 C-BODY	
DO NOT SCALE DRAWING	
TITLE:	
WIRING INSTL-TV/VCR,SIDE	
SHEET 4	PART NO 148534

NOTES:
 WITH (40B), PLUG TV OR (TV AND VCR) INTO INVERTER.
 PLUG INVERTER INTO RECP-ENTERTAINMENT CTR.



VIEW EA

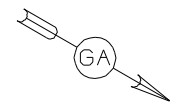
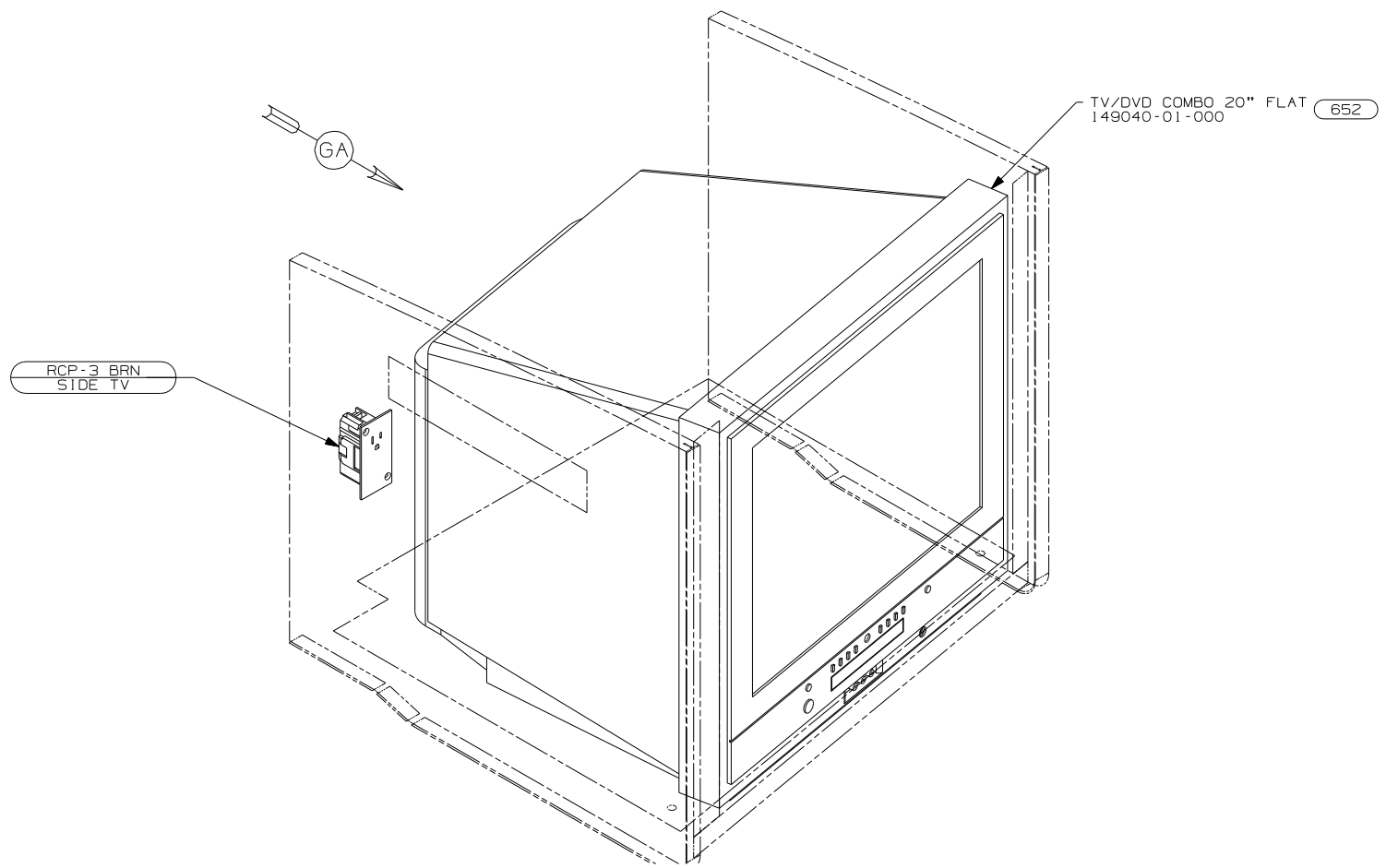
331C & 331T
COAX CONNECTIONS

- (42M) TV-19" COLOR W/STEREO
- (25G) DVD/VCR, STEREO, W/REMOTE
- (265) CODES/STANDARDS-CSA/CMVSS
- (1B1) CODES/STANDARDS-USA

(1B1) (265)

FIRST USED	05 C-BODY
TITLE	DO NOT SCALE DRAWING
TITLE	WIRING INSTL-TV/VCR, SIDE
SHEET 5	PART NO 148534

NOTES:
1 SEE WIRING INSTL-BODY FOR ADDITIONAL INFORMATION.



400 SERIES

- (652) BUNK-SINGLE, FRONT TV/DVD
- (265) CODES/STANDARDS-CSA/CMVSS
- (1B1) CODES/STANDARDS USA

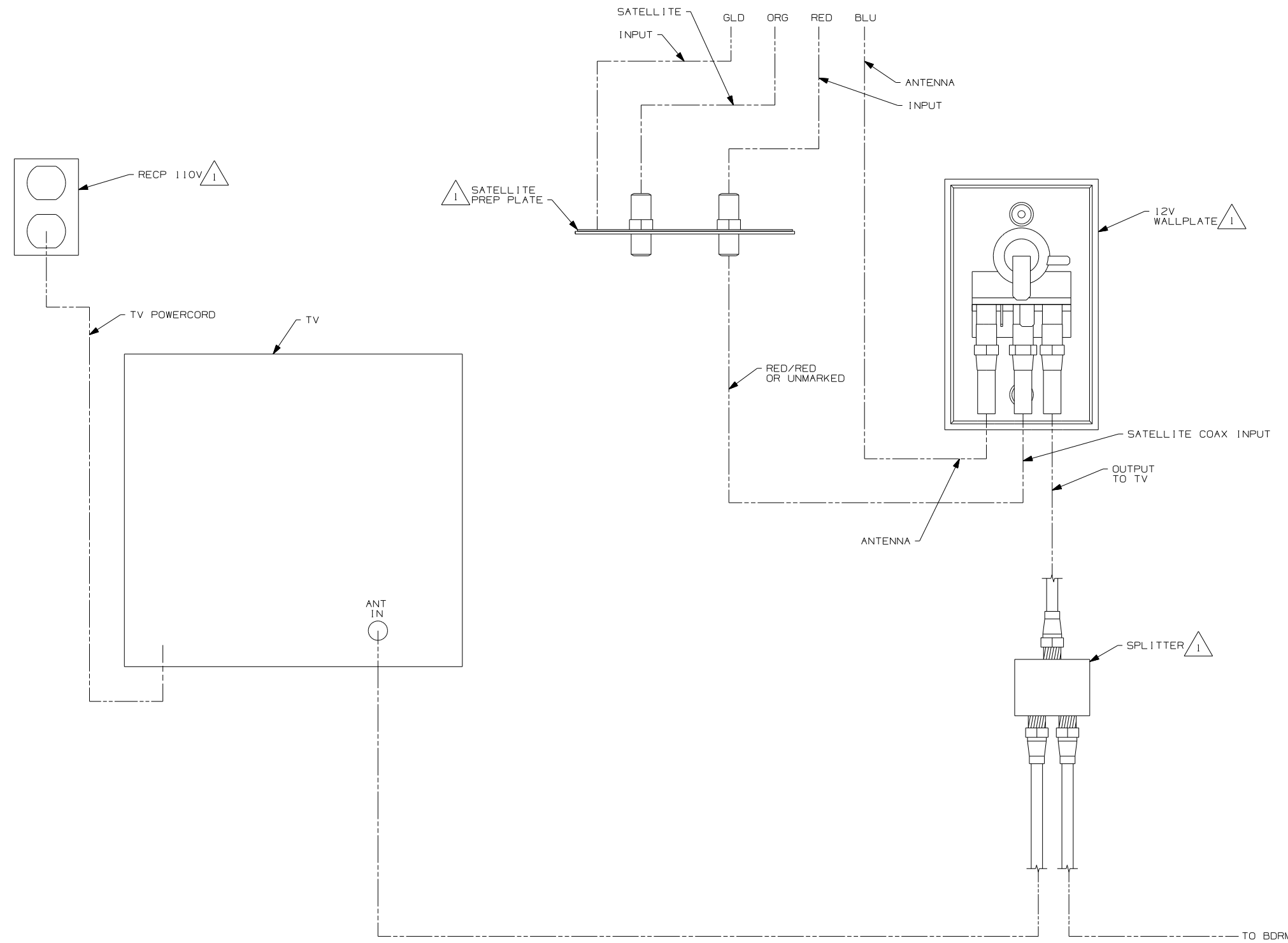
(1B1) (265)

FIRST USED	
05 C-BODY	
DO NOT SCALE DRAWING	
TITLE:	
WIRING INSTL-TV/VCR,SIDE	
SHEET 6	PART NO
	148534

FOR ELECTRICAL
TORQUE
SPECIFICATIONS
SEE DWG NO.
128783-01-000

(X-X)
FOR
ELECTRICAL
CALLOUTS
SEE DWG NO.
121339-01-000

NOTES:
1. FOR CONNECTIONS SEE SHT 7.



NOTES:
 1 SEE WIRING INSTL-BODY FOR ADDITIONAL INFORMATION.

- 400 SERIES
- 652 BUNK-SINGLE, FRONT TV/DVD
 - 265 CODES/STANDARDS-CSA/CMVSS
 - 1B1 CODES/STANDARDS USA

FIRST USED	
05 C-BODY	
DO NOT SCALE DRAWING	
TITLE:	
WIRING INSTL-TV/VCR,SIDE	
SHEET 7	PART NO 148534

TERMINALS

NO.	PART NUMBER	DESCRIPTION
B-1 B-2 B-11 B-12	50003-01 50004-01 50003-02 50004-02	TERMINAL-PIN, 16-14 GA, .156 DIA TERMINAL-RECP, 16-14 GA, .156 DIA TERMINAL-PIN, 16-14 GA, .180 DIA TERMINAL-RECP, 16-14 GA, .180 DIA
WP-1 WP-2 WP-3	106950-01 106950-02 106950-03	TERMINAL-PIN, 16-14 GA TERMINAL-PIN, 10-12 GA TERMINAL-PIN, 8 GA
R-1 R-2 R-3 R-4 R-5 R-6 R-7 R-8 R-9	35416-01 35416-02 35416-03 35416-04 37018-01 102777-01 102777-02 102777-03 33787-01	TERMINAL-RING, 8 GA, #10 STUD TERMINAL-RING, 6 GA, #10 STUD TERMINAL-RING, 12-10 GA, #10 STUD TERMINAL-RING, 16-14 GA, #10 STUD TERMINAL-RING, 12-10 GA, 5/16 STUD TERMINAL-RING, #6 STUD, 14-16 GA TERMINAL-RING, #6 STUD, 10-12 GA TERMINAL-RING, #6 STUD, 8 GA TERMINAL-RING, 14 GA, #10 STUD
R-60 R-61 R-62 R-63 R-64 R-65 R-66 R-67 R-68 R-69 R-70 R-71	8325-01 8326-01 8327-01 8328-01 8328-02 8329-01 8331-01 8332-01 8332-02 8350-01 99275-02 101397-01	TERMINAL-RING, 16-14 GA, 1/4 STUD TERMINAL-RING, 16-14 GA, 3/8 STUD TERMINAL-RING, 16-14 GA, #10 STUD TERMINAL-RING, 12-10 GA, #10 STUD TERMINAL-RING, 12-10 GA, 3/8 STUD TERMINAL-RING, 8 GA, 3/8 STUD TERMINAL-RING, 4 GA, 3/8 STUD TERMINAL-RING, 6 GA, 1/4 STUD TERMINAL-RING, 10 GA, 1/4 STUD TERMINAL-RING, 6 GA, 3/8 STUD TERMINAL-RING, 8 GA, 7/16 STUD TERMINAL-RING, 16-14 GA, #10 STUD
R-91 R-92 R-93 R-94	88791-01 88791-02 8348-01 99275-01	TERMINAL-RING, 1/0 GA, 3/8, 90 DEG. TERMINAL-RING, 2 GA, 3/8, 90 DEG TERMINAL-RING, 2 GA, 3/8 STUD TERMINAL-RING, 1/0 GA, 7/16 STUD
RF-51 RF-52	7944-01 7945-01	TERMINAL-SPADE, 12-10 GA, #8 STUD TERMINAL-SPADE, 18-14 GA, #8 STUD
TR-1 TR-2 TR-3 TR-11 TR-12	47443-01 47443-02 47443-05 47443-03 47443-04	TERMINAL-RECP, 16-14 GA, .25, INS TERMINAL-RECP, 12-10 GA, .25, INS TERMINAL-RECP, 22-18 GA, .25, INS TERMINAL-RECP, 16-14 GA, .19, INS TERMINAL-RECP, 16-14 GA, .11, INS
TR-21 TR-22 TR-23 TR-24	80015-01 80015-02 80015-03 80015-04	TERMINAL-RECP, 22-18 GA, .250, 90 DEG FOR USE WITH TAB THICKNESS .032 TERMINAL-RECP, 16-14 GA, .187, 90 DEG FOR USE WITH TAB THICKNESS .032 TERMINAL-RECP, 16-14 GA, .250, 90 DEG FOR USE WITH TAB THICKNESS .032 TERMINAL-RECP, 16-14 GA, .187, 90 DEG FOR USE WITH TAB THICKNESS .020
TR-51 TR-52 TR-53 TR-54 TR-55	7940-01 23809-01 23809-02 49270-01 7940-02	TERMINAL-RECP, 16-12 GA, .25, UNINS TERMINAL-RECP, 16-14 GA, .19, UNINS TERMINAL-RECP, 18-20 GA, .25, UNINS TERMINAL-RECP, 18-20 GA, .19, UNINS TERMINAL-RECP, 10 GA, .25, UNINS
TT-1 TT-2 TT-11	85745-02 85745-03 85745-04	TERMINAL-TAB, 16-14 GA, .25, INS TERMINAL-TAB, 10-12 GA, .25, INS TERMINAL-TAB, 18-22 GA, .19, INS
TT-51 TT-52	7942-01 7943-01	TERMINAL-TAB, 16-14 GA, .25, UNINS TERMINAL-TAB, 14-10 GA, .25, UNINS
MF6-1 MF6-2	129236-01 129236-02	TERMINAL-FEM, M/P, 630, 10-12 TERMINAL-FEM, M/P, 630, 14-16

SPLICES

NO.	PART NUMBER	DESCRIPTION
BS-1 BS-2 BS-3 BS-SB	31876-01 31876-02 31876-03 100070-01	SPLICE-BUTT, 16-14 GA, BLUE SPLICE-BUTT, 12-10 GA, YELLOW SPLICE-BUTT, 22-18 GA, RED SPLICE-BUTT, 14-16 GA, SHRINK, BLUE
BS-RB	112823-01	SPLICE-BUTT, 14-22 GA, REDUCER
S-1 S-2	7946-01 23808-01	SPLICE, 1-6 MM ² SPLICE, 6-9 MM ²
1-2 1-5	7956-02 7956-05	SHRINK WRAP .375 DIA SHRINK WRAP .25 DIA
SH-1	58028-01	SPLICE-HAT
S-10	101173-01	SPLICE-BARREL, 26300 CMA

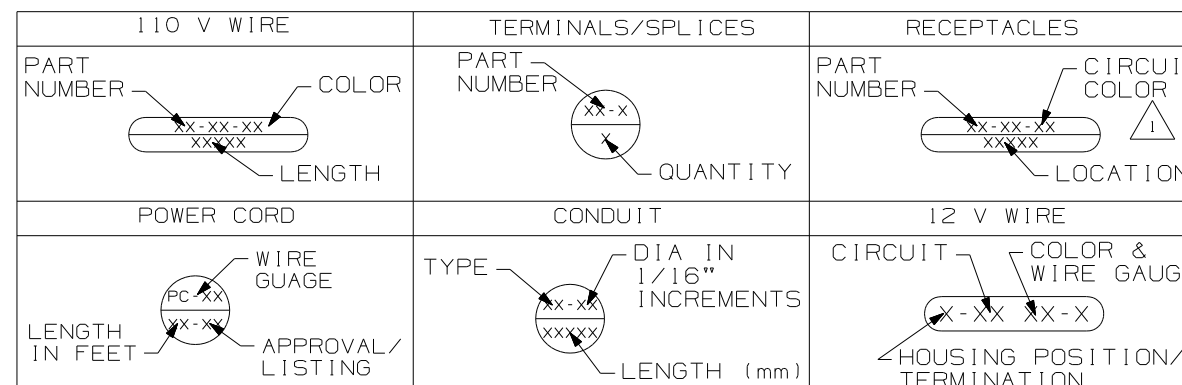
NO.	PART NUMBER	DESCRIPTION
SP-1	90986-02	PLUG ASM-ELECTRIC STEP
SP-2	142524-01-000 098261-01-000 098262-07-000 098261-02-000 (3) 098262-01-000 (3)	HOUSING-4 PIN SOCKET-CONNECTOR SEAL-CONNECTOR SOCKET-CONNECTOR SEAL-CONNECTOR
HR-1	63910-01	HOUSING-RELAY
MP-8 MP-10 MPP CAV-1 CON-3	125323-02 125323-01 125324-01 125325-01 98262-03	HOUSING-PIN, 8 CAVITY HOUSING-PIN, 10 CAVITY TERMINAL-MALE, M/P, 150 SEAL-CAVITY, 150-SERIES M/P SEAL-CONNECTOR
LS-8 LS-10	125323-03 125323-04	LOCK-SECONDARY 8 POSITION LOCK-SECONDARY 10 POSITION
H-8 H-12	108355-01 108355-02	HOUSING-SWITCH, 8 POSITION HOUSING-SWITCH, 12 POSITION

NO.	PART NUMBER	DESCRIPTION
GEN-1	125323-02-000 125324-01-000 (4) 098262-03-000 (4) 125325-01-000 (4) 125323-03-000	HOUSING-8 POSN, MALE, 150 SERIES TERMINAL-MALE, M/P, 150 SEAL-CONNECTOR SEAL-CAVITY, 150 SERIES M/P LOCK-SECONDARY 8 POSITION
GEN-2	125323-01-000 125324-01-000 (5) 098262-03-000 (5) 125325-01-000 (5) 125323-04-000	HOUSING-10 POSN, MALE, 150 SERIES TERMINAL-MALE, M/P, 150 SEAL-CONNECTOR SEAL-CAVITY, 150 SERIES M/P LOCK-SECONDARY 10 POSITION

HOUSINGS AND TERMINALS

NO.	PART NUMBER	DESCRIPTION
HS-2 HS-3 HS-4 HS-5 HS-6 HS-7 HS-9 HS-12 HS-15	88474-10 88474-09 88474-08 88474-07 88474-06 88474-05 88474-03 88474-01 88474-02	HOUSING-SOCKET, 2 CAVITY HOUSING-SOCKET, 3 CAVITY HOUSING-SOCKET, 4 CAVITY HOUSING-SOCKET, 5 CAVITY HOUSING-SOCKET, 6 CAVITY HOUSING-SOCKET, 6 CAVITY-IN LINE HOUSING-SOCKET, 9 CAVITY HOUSING-SOCKET, 12 CAVITY HOUSING-SOCKET, 15 CAVITY
HP-2 HP-3 HP-4 HP-5 HP-6 HP-7 HP-8 HP-9 HP-12 HP-15 HP-2-R HP-3-B HP-3-G HP-3-R	88473-10 88473-09 88473-08 88473-07 88473-06 88473-05 88473-04 88473-03 88473-01 88473-02 88473-15 88473-12 88473-13 88473-14	HOUSING-PIN, 2 CAVITY HOUSING-PIN, 3 CAVITY HOUSING-PIN, 4 CAVITY HOUSING-PIN, 5 CAVITY HOUSING-PIN, 6 CAVITY HOUSING-PIN, 6 CAVITY-IN LINE HOUSING-PIN, 8 CAVITY-IN LINE HOUSING-PIN, 9 CAVITY HOUSING-PIN, 12 CAVITY HOUSING-PIN, 15 CAVITY HOUSING-PIN, 2 CAVITY-RED HOUSING-PIN, 3 CAVITY-BLUE HOUSING-PIN, 3 CAVITY-GREEN HOUSING-PIN, 3 CAVITY-RED
TS-1 TS-2	88476-01 88476-02	SOCKET-CONNECTOR, 20-14 GA SOCKET-CONNECTOR, 12-10 GA
TP-1 TP-2	88475-01 88475-02	PIN-CONNECTOR, 20-14 GA PIN-CONNECTOR, 12-10 GA
HS2HA HP2HA	137208-01 137207-01	HOUSING-SOCKET, 2 CAVITY-HIGH AMP HOUSING-PIN, 2 CAVITY-HIGH AMP
TS-HA TP-HA	137210-01 137209-01	SOCKET-CONNECTOR, 10AWG HIGH AMP PIN-CONNECTOR, 10AWG HIGH AMP

BALLOON CALLOUT LEGEND



WINNEBAGO COPYRIGHT 2004 WINNEBAGO INDUSTRIES, INC.

DFT: ORIG. DATE
CHKR: ALL DIMENSIONS ARE IN MILLIMETERS
P.E.:
M.E.: FIRST USED
DSNR: 96 MH'S

UNSPECIFIED TOLERANCES ARE: MATERIAL:
HOLE DIM (X) :
ONE-PLACE (X.X) :
TWO-PLACE (X.XX) :
ANGLE :
THIRD ANGLE PROJECTION

DO NOT SCALE DRAWING

TITLE: PART LISTING-ELECTRICAL
SHEET 1 OF 7 PART NO 121339

NOTES: 1 FOR RECP-BLANK, DET-X DENOTES DETAIL VIEW. 2 INACTIVE

WIRE-SINGLE INS CONDUCTOR, STRANDED

NO.	PART NUMBER	DESCRIPTION
18-W 18-Y	156658-01 156658-02	WIRE, 18 GA. WHITE, PVC WIRE, 18 GA. YELLOW, PVC
16-Y 16-W	89360-01 89360-02	WIRE, 16 GA. YELLOW, PVC WIRE, 16 GA. WHITE, PVC
14-Y 14-W	48554-02 48554-04	WIRE, 14 GA. YELLOW, PVC WIRE, 14 GA. WHITE, PVC
12-Y 12-W	48555-02 48555-04	WIRE, 12 GA. YELLOW, PVC WIRE, 12 GA. WHITE, PVC
10-Y 10-W	8000-03 8000-05	WIRE, 10 GA. YELLOW, PVC WIRE, 10 GA. WHITE, PVC
8-B 8-G	8005-01 8005-03	WIRE, 8 GA. BLACK, PVC WIRE, 8 GA. GREEN, PVC
6-B 6-G	70065-01 70065-03	WIRE, 6 GA. BLACK, PVC WIRE, 6 GA. GREEN, PVC
18-WX 18-YX	121015-01 121015-02	WIRE, 18 GA. WHITE, XLPE WIRE, 18 GA. YELLOW, XLPE
16-YX 16-WX	116675-01 116675-02	WIRE, 16 GA. YELLOW, XLPE WIRE, 16 GA. WHITE, XLPE
14-YX 14-WX	98586-01 98586-02	WIRE, 14 GA. YELLOW, XLPE WIRE, 14 GA. WHITE, XLPE
12-YX 12-WX	98609-01 98609-02	WIRE, 12 GA. YELLOW, XLPE WIRE, 12 GA. WHITE, XLPE
10-YX 10-WX	116676-03 116676-04	WIRE, 10 GA. YELLOW, XLPE WIRE, 10 GA. WHITE, XLPE
8-BX 8-GX	116674-01 116674-02	WIRE, 8 GA. BLACK, XLPE WIRE, 8 GA. GREEN, XLPE
6-BX 6-GX	116687-01 116687-02	WIRE, 6 GA. BLACK, XLPE WIRE, 6 GA. GREEN, XLPE

RECEPTACLES

NO.	PART NUMBER	DESCRIPTION
RCP-1	86738-02-CHT	RECEPTACLE-SINGLE, FLUSH MOUNT
RCP-2	86738-01-CHT	RECEPTACLE-DOUBLE, FLUSH MOUNT
RCP-3	58707-01-000	RECEPTACLE-SINGLE, SURFACE MOUNT
RCP-4	157360-01-000	RECEPTACLE-SINGLE, FLUSH MOUNT, 20A
RCP-B	58707-02-000	RECEPTACLE-BLANK, JUNCTION
RCP-E	131826-01-CHT	INCLUDES COVER & GASKET

WIRE-NM SHEATHED CABLE

NO.	PART NUMBER	DESCRIPTION
14 UL	8027-01-000	WIRE 14-2 ROMEX W/GROUND (UL)
14 CA	8023-02-000	WIRE 14-2 ROMEX W/GROUND (CAN)
12 UL	8026-01-000	WIRE 12-2 ROMEX W/GROUND (UL)
12 CA	8023-01-000	WIRE 12-2 ROMEX W/GROUND (CAN)
12-3 UL	8026-03-000	WIRE 12-3 ROMEX W/GROUND (UL)
12-3 CA	8023-03-000	WIRE 12-3 ROMEX W/GROUND (CAN)
10 UL	8022-01-000	WIRE 10-2 ROMEX W/GROUND (UL)
10 CA	24743-01-000	WIRE 10-2 ROMEX W/GROUND (CAN)
6-3 UL	108914-01-000	WIRE 6-3 ROMEX W/GROUND (UL)
6-3 CA	113136-01-000	WIRE 6-3 ROMEX W/GROUND (CAN)
6-2 UL	108914-02-000	WIRE 6-2 ROMEX W/GROUND (UL)
4-3 UL	128375-01-000	WIRE 4-3 ROMEX W/GROUND (UL)
4-3 CA	128375-01-000	WIRE 4-3 ROMEX W/GROUND (CAN)

POWER CORDS

NO.	PART NUMBER	DESCRIPTION
PC-10 28	8054-01-000	POWER CORD 10 GA, 30 AMP, 28 FT. (UL/CA)
PC-10 35	8054-02-000	POWER CORD 10 GA, 30 AMP, 35 FT. (UL/CA)
PC-10 30-CA	8052-01-000	SUPERCEDED BY 8054-01-000
PC-6 36	108934-01-000	POWER CORD 6 GA, 50 AMP, 36 FT. (UL/CA)
PC-6 36-FX	108934-02-000	POWER CORD 6 GA, 50 AMP, 36 FT. (UL/CSA) SUPERFLEX
PC-6 36-CA	113096-01-000	SUPERCEDED BY 108934-02-000

CIRCUIT COLOR LEGEND

110V CIRCUIT	WIRE COLOR	COAXIAL CIRCUIT
A/C CIRCUIT 1	RED	CABLE INPUT W/O SPLITTER
A/C CIRCUIT 2	GRN	REAR TV W/O SPLITTER
GENERAL RECPS 1	BLU	ANTENNA
GENERAL RECPS 2	BRN	FRONT TV
GENERAL RECPS 3	PUR	VCR INPUT
GENERAL RECPS 4	GRY	
REFRIGERATOR/ CONVERTER	YEL	EXT ENT CTR
MICROWAVE	BLK	AUX INPUT
WATER HEATER	WHT	
WASHER/DRYER	GLD	
DISHWASHER	SIL	
	ORG	SATELLITE PLATE INPUT
	ORG/ORG	SATELLITE PLATE OUTPUT
	RED/RED	CABLE INPUT W/SPLITTER
	GRN/GRN	REAR TV W/SPLITTER
	PUR/PUR	VCR OUTPUT

CONDUIT

NO.	PART NUMBER	DESCRIPTION	TEMP.
C-4	41953-07-000	CONDUIT-CONVOLUTE, SLIT .25" ID	194° F
C-6	41953-06-000	CONDUIT-CONVOLUTE, SLIT .38" ID	194° F
C-8	41953-01-000	CONDUIT-CONVOLUTE, SLIT .50" ID	194° F
C-10	41953-02-000	CONDUIT-CONVOLUTE, SLIT .63" ID	194° F
C-16	41953-03-000	CONDUIT-CONVOLUTE, SLIT 1.0" ID	194° F
C-24	41953-08-000	CONDUIT-CONVOLUTE, SLIT 1.5" ID	194° F
C-32	41953-15-000	CONDUIT-CONVOLUTE, SLIT 2.0" ID	194° F
CX-8	41953-09-000	CONDUIT-CONVOLUTE, SLIT .50" ID	239° F
CX-12	41953-10-000	CONDUIT-CONVOLUTE, SLIT .75" ID	239° F
CX-16	41953-11-000	CONDUIT-CONVOLUTE, SLIT 1.0" ID	239° F
CX-20	41953-13-000	CONDUIT-CONVOLUTE, SLIT 1.25" ID	239° F
CX-24	41953-14-000	CONDUIT-CONVOLUTE, SLIT 1.50" ID	239° F
CX-32	41953-16-000	CONDUIT-CONVOLUTE, SLIT 2.0" ID	239° F
CN-10	41953-05-000	CONDUIT-CONVOLUTE, NOT SLIT .63" ID	194° F
CN-16	41953-12-000	CONDUIT-CONVOLUTE, NOT SLIT 1.0" ID	194° F


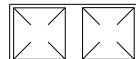
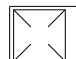
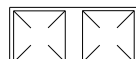
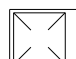

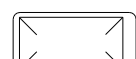
BATTERY CABLE LEGEND

COLOR	DESCRIPTION
PURPLE	CHASSIS BATTERY TO SOLENOID
BLUE	HYDRAULIC JACKS PUMP
RED	BATTERY TO STARTER
GREEN	BATTERY TO GENERATOR
YELLOW	COACH BATTERY TO SOLENOID



DWG NO 121339

FIRST USED
96 MH'S
DO NOT SCALE DRAWING
TITLE:
PART LISTING-ELECTRICAL
SHEET 2 PART NO
121339


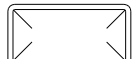

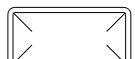

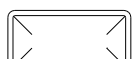
LAMP ASM-PACKAGE, PANCAKE

NO	PART NUMBER	DESCRIPTION
LF1-1	LAMP 98024-01-CHT SCREW G11-08-16U (4) CONNECTOR 58028-01-000 (2)	LAMP ASM, FROSTED LENS, 1 BULB W/SWITCH PROGRESSIVE DYNAMICS INC. 
LF2-1	LAMP 98024-03-CHT SCREW G11-08-16U (6) CONNECTOR 58028-01-000 (2)	LAMP ASM, FROSTED LENS, 2 BULB W/SWITCH PROGRESSIVE DYNAMICS INC. 
LO1-1	LAMP 98024-05-CHT SCREW G11-08-16U (4) CONNECTOR 58028-01-000 (2)	LAMP ASM, OPTI CLEAR LENS, 1 BULB W/SWITCH PROGRESSIVE DYNAMICS INC. 
LO2-1	LAMP 98024-06-CHT SCREW G11-08-16U (6) CONNECTOR 58028-01-000 (2)	LAMP ASM, OPTI CLEAR LENS, 2 BULB W/SWITCH PROGRESSIVE DYNAMICS INC. 
LF1N1	LAMP 98024-07-CHT SCREW G11-08-16U (4) CONNECTOR 58028-01-000 (2)	LAMP ASM, FROSTED LENS, 1 BULB W/O SWITCH PROGRESSIVE DYNAMICS INC. 
LF2N1	LAMP 98024-08-CHT SCREW G11-08-16U (6) CONNECTOR 58028-01-000 (2)	LAMP ASM, FROSTED LENS, 2 BULB W/O SWITCH PROGRESSIVE DYNAMICS INC. 
LFSN1	LAMP 98024-09-CHT SCREW G11-08-16U (6) CONNECTOR 58028-01-000 (2)	LAMP ASM, SINGLE FROSTED LENS, 2 BULB W/O SWITCH PROGRESSIVE DYNAMICS INC. 

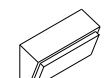


LAMP ASM-PACKAGE, HALOGEN

NO	PART NUMBER	DESCRIPTION
HAL	LAMP 123775-01-CHT SCREW (SUPPLIED) CONNECTOR 58028-01-000 (2)	LAMP ASM-HALOGEN, READING 1 BULB 
HAL-S	LAMP 123775-01-CHT SPACER 123775-02-CHT SCREW G13-06-16U (3) CONNECTOR 58028-01-000 (2)	LAMP ASM-HALOGEN, READING WITH 3/4" SPACER 1 BULB 

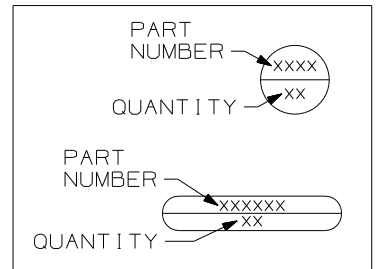
LAMP ASM-PACKAGE, PANCAKE

NO	PART NUMBER	DESCRIPTION
LF1-2	LAMP 137417-01-CHT SCREW G11-08-16U (4) CONNECTOR 58028-01-000 (2)	LAMP ASM, FROSTED LENS, 1 BULB W/SWITCH PROGRESSIVE DYNAMICS INC. 
LF2-2	LAMP 137417-04-CHT SCREW G11-08-16U (6) CONNECTOR 58028-01-000 (2)	LAMP ASM, FROSTED LENS, 2 BULB W/SWITCH PROGRESSIVE DYNAMICS INC. 
LO1-2	LAMP 137417-02-CHT SCREW G11-08-16U (4) CONNECTOR 58028-01-000 (2)	LAMP ASM, OPTI CLEAR LENS, 1 BULB W/SWITCH PROGRESSIVE DYNAMICS INC. 
LO2-2	LAMP 137417-05-CHT SCREW G11-08-16U (6) CONNECTOR 58028-01-000 (2)	LAMP ASM, OPTI CLEAR LENS, 2 BULB W/SWITCH PROGRESSIVE DYNAMICS INC. 
LF1N2	LAMP 137417-03-CHT SCREW G11-08-16U (4) CONNECTOR 58028-01-000 (2)	LAMP ASM, FROSTED LENS, 1 BULB W/O SWITCH PROGRESSIVE DYNAMICS INC. 
LFSN2	LAMP 137417-06-CHT SCREW G11-08-16U (6) CONNECTOR 58028-01-000 (2)	LAMP ASM, SINGLE FROSTED LENS, 2 BULB W/O SWITCH PROGRESSIVE DYNAMICS INC. 

LAMP ASM-PACKAGE, PORCH

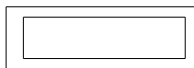
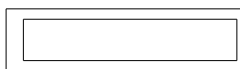
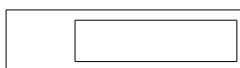
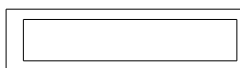
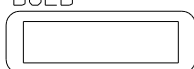
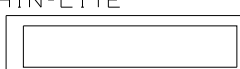
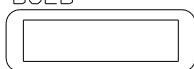

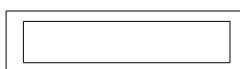
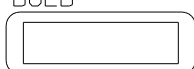
NO	PART NUMBER	DESCRIPTION
LEXT-1	LAMP 97917-01-CHT SCREW G67-10-129 (4) CONNECTOR 58028-01-000 (2)	LAMP ASM-PORCH, SURFACE MOUNT BARGMAN 
LEXT-2UL	LAMP 8089-01-000 SCREW G68-06-10E (2) CONNECTOR 58028-01-000 (2)	LAMP ASM-PORCH, RECESSED UL LIST JRV PROD 
LEXT-2CA	LAMP 8089-02-000 SCREW G68-06-10E (2) CONNECTOR 58028-01-000 (2)	LAMP ASM-PORCH, RECESSED CAN LIST JRV PROD 

LEGEND

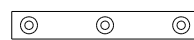
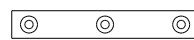
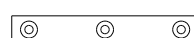
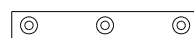
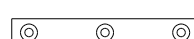
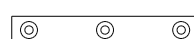


FIRST USED	96 MH'S
TITLE	DO NOT SCALE DRAWING
TITLE	PART LISTING-ELECTRICAL
SHEET 3	PART NO 121339

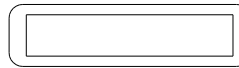


LAMP ASM-PACKAGE, FLUORESCENT

NO	PART NUMBER	DESCRIPTION
FLU-1	LAMP 91936-02-CHT SCREW G11-08-12U (4) CONNECTOR 58028-01-000 (2)	LAMP ASM-FLUORESCENT 12" 2 BULB W/SWITCH THIN-LITE 
FLU-2	LAMP 91936-01-CHT SCREW G11-08-12U (4) CONNECTOR 58028-01-000 (2)	LAMP ASM-FLUORESCENT 18" 2 BULB W/SWITCH THIN-LITE 
FLU-3	LAMP 127327-01-CHT SCREW G11-08-12U (2) CONNECTOR 58028-01-000 (2)	LAMP ASM-FLUORESCENT 18" 1-12" BULB W/SWITCH THIN-LITE 
FLU-4	LAMP 130338-01-CHT SCREW G11-08-12U (4) CONNECTOR 58028-01-000 (2)	LAMP ASM-FLUORESCENT 18" 2 BULB SURFACE MOUNT W/SWITCH THIN-LITE 
FLU-5	LAMP 153464-02-CHT SCREW G11-08-12U (4) CONNECTOR 58028-01-000 (2)	LAMP ASM-FLUORESCENT 12" 2 BULB W/SWITCH COOL WHITE BULB THIN-LITE  CUTOUT-122 X 336
FLU-6	LAMP 130338-02-CHT SCREW G11-08-12U (4) CONNECTOR 58028-01-000 (2)	LAMP ASM-FLUORESCENT 18" 2 BULB SURFACE MOUNT WARM WHITE BULB W/SWITCH THIN-LITE 
FLU-7	LAMP 153464-05-CHT SCREW G11-08-12U (4) CONNECTOR 58028-01-000 (2)	LAMP ASM-FLUORESCENT 12" 2 BULB W/SWITCH WARM WHITE BULB THIN-LITE  CUTOUT-122 X 336
FLUN1	LAMP 91936-04-CHT SCREW G11-08-12U (4) CONNECTOR 58028-01-000 (2)	LAMP ASM-FLUORESCENT 12" 2 BULB W/O SWITCH THIN-LITE 
FLUN2	LAMP 91936-03-CHT SCREW G11-08-12U (4) CONNECTOR 58028-01-000 (2)	LAMP ASM-FLUORESCENT 18" 2 BULB W/O SWITCH THIN-LITE 
FLUN3	LAMP 153464-01-CHT SCREW G11-08-12U (4) CONNECTOR 58028-01-000 (2)	LAMP ASM-FLUORESCENT 12" 2 BULB W/O SWITCH COOL WHITE BULB THIN-LITE  CUTOUT-122 X 336

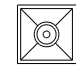
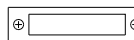
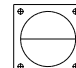

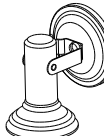
LAMP ASM-PACKAGE, MAKEUP LAMP

NO	PART NUMBER	DESCRIPTION
LMU3-1	LAMP 110235-01-CHT SCREW W/SPACER (SUPPLIED) CONNECTOR 58028-01-000 (2)	LAMP ASM-MAKEUP (W/O MIRROR) 3 BULB (SUPPLIED) PROGRESSIVE DYNAMICS 
LMM3-2	LAMP 123774-03-CHT SCREW (SUPPLIED) BULB 123918-01-000 (3) CONNECTOR 58028-01-000 (2)	LAMP ASM-MAKEUP (W/MIRROR) 3 BULB GUSTOFSON 
LMU3-2	LAMP 138116-01-CHT SCREW (SUPPLIED) BULB 123918-01-000 (3) CONNECTOR 58028-01-000 (2)	LAMP ASM-MAKEUP (W/O MIRROR) 3 BULB GUSTOFSON 
LMU4-1	LAMP 110235-02-CHT SCREW G11-08-16U (2) CONNECTOR 58028-01-000 (2)	LAMP ASM-MAKEUP (W/O MIRROR) 4 BULB PROGRESSIVE DYNAMICS 
LMU4-2	LAMP 138116-02-CHT SCREW (SUPPLIED) BULB 123918-01-000 (4) CONNECTOR 58028-01-000 (2)	LAMP ASM-MAKEUP (W/O MIRROR) 4 BULB GUSTOFSON 
LMM4-2	LAMP 123774-01-CHT SCREW G11-08-16U (2) BULB 123918-01-000 (4) CONNECTOR 58028-01-000 (2)	LAMP ASM-MAKEUP (W/MIRROR) 4 BULB GUSTOFSON 

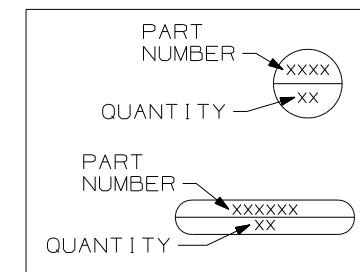
LAMP ASM-PACKAGE, FLUORESCENT

NO	PART NUMBER	DESCRIPTION
FLUN4	LAMP 153464-03-CHT SCREW G11-08-12U (6) CONNECTOR 58028-01-000 (2)	LAMP ASM-FLUORESCENT 18" 2 BULB W/O SWITCH COOL WHITE BULB THIN-LITE  CUTOUT-122 X 480
FLUN5	LAMP 153464-06-CHT SCREW G11-08-12U (6) CONNECTOR 58028-01-000 (2)	LAMP ASM-FLUORESCENT 18" 2 BULB W/O SWITCH WARM WHITE BULB THIN-LITE  CUTOUT-122 X 480
FLUN6	LAMP 153464-04-CHT SCREW G11-08-12U (6) CONNECTOR 58028-01-000 (2)	LAMP ASM-FLUORESCENT 12" 2 BULB W/O SWITCH WARM WHITE BULB THIN-LITE  CUTOUT-122 X 336

LAMP ASM-PACKAGE, OTHER

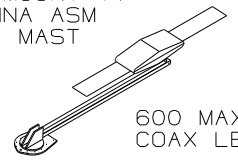
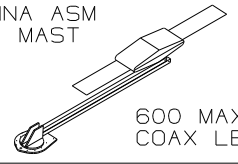
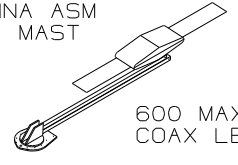
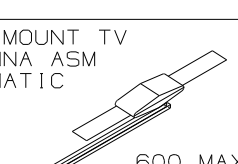
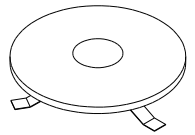
NO	PART NUMBER	DESCRIPTION
LSH-1	LAMP 121935-01-CHT SCREW G11-08-16U (4) CONNECTOR 58028-01-000 (2)	LAMP ASM-SHOWER PROGRESSIVE DYNAMICS INC. 
LCR-1	LAMP 61424-01-000 SCREW G11-08-12U (4) CONNECTOR 58028-01-000 (2)	LAMP ASM-COURTESY, AISLE RAMCO (RECTANGULAR) 
LCS-1	LAMP 108354-01-CHT SCREW G11-08-12U (4) CONNECTOR 58028-01-000 (2)	LAMP ASM-COURTESY, AISLE ITC MARINE (SQUARE) 
READ-1	LIGHT-READING 132427-01-CHT SCREW G13-06-16U (2) CLIP-U 141395-02-CHT (2) CONNECTOR 58028-01-000 (2)	LIGHT-READING, SWIVEL, ROUND 1 BULB 
READ-2	LIGHT-READING 128786-02-CHT SCREW G11-08-16J (2) BULB 123917-01-000 CONNECTOR 58028-01-000 (2)	LIGHT, READING, SWIVEL 

LEGEND

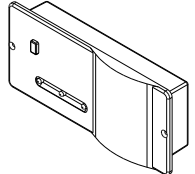


FIRST USED	96 MH'S
TITLE	DO NOT SCALE DRAWING
SHEET 4	PART NO 121339

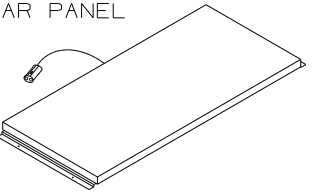
ANTENNA ASM-PACKAGE

NO	PART NUMBER	DESCRIPTION
ANT-1	ANTENNA 76319-24-000 HARDWARE - INTERIOR 76319-25-000 BUMPER 69726-02-000 (2) CLIP 80734-02-000	ROOF MOUNT TV ANTENNA ASM 25.5" MAST  600 MAX COAX LENGTH
ANT-2	ANTENNA 76319-23-000 HARDWARE - INTERIOR 76319-25-000 BUMPER 69726-02-000 (2) ADAPTER SUPPLIED W/ANTENNA	ROOF MOUNT TV ANTENNA ASM 44.5" MAST  600 MAX COAX LENGTH
ANT-2W	ANTENNA 76319-23-000 HARDWARE - INTERIOR 76319-25-000 BUMPER 69726-02-000 (2) ADAPTER SUPPLIED W/ANTENNA WEDGE 76319-26-000	ROOF MOUNT TV ANTENNA ASM 44.5" MAST  600 MAX COAX LENGTH
ANTA-1	ANTENNA 158270-01-CHT BUMPER 69726-02-000 (2) ADAPTER SUPPLIED W/ANTENNA	ROOF MOUNT TV ANTENNA ASM AUTOMATIC  600 MAX COAX LENGTH
ANT-3	ANTENNA-TV ROOF MNT, ROUND 132935-01-000 PLATE-ROOF, CABLE ENTRY 146488-01-000 SCREW G67-10-129 (10) CABLE ASM-COAX 87105-01-006 ADAPTER 82134-01-000	ROOF MOUNT OMNI- DIRECTIONAL ANTENNA MOUNTING SCREWS SUPPLIED WITH ANTENNA 

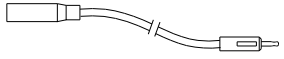
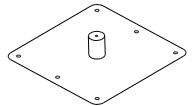
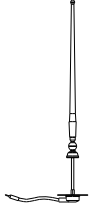
SENSORS

NO	PART NUMBER	DESCRIPTION
LPGD	LP GAS DETECTOR 150138-01-CHT SCREW G68-06-10U (2)	DETECTOR-LP GAS 

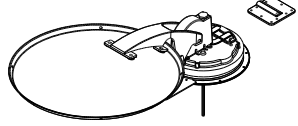
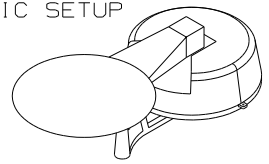
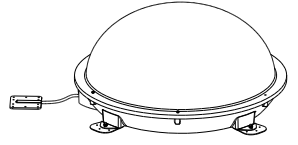
PANELS

NO	PART NUMBER	DESCRIPTION
SOLAR	PANEL-SOLAR 10 WATT 151647-01-000 SCREW G11-08-12U (4)	SOLAR PANEL 

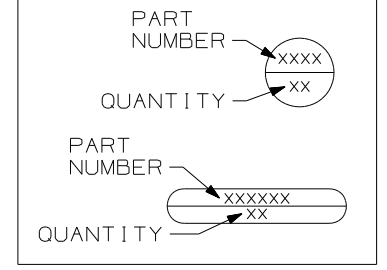
ANTENNA ASM-PACKAGE

ANTEXT-1	CABLE ASM-EXTENS 77069-02-000	RADIO ANTENNA CABLE EXTENSION 2400MM USABLE LENGTH 
ANTKIT-1	ADAPTER-PLATE 76319-06-000 SCREW G11-08-08T (6) CLIP-WIRE 80734-02-000 SCREW G11-08-08T	PLATE ASM-ADAPTERS CABLE ROOF MOUNTING PLATE W/ CABLE-CABLE ADAPTER, FITTINGS, AND CABLE RETAINING CLIP 
ANT-R	ANTENNA-RADIO 90944-01-000 EXTENDER-SHAFT ANTENNA 109889-04-000 BRACKET-ANTENNA GROUND 147741-01-CHT	ROOF MOUNT RADIO ANTENNA 
ANTEXT-2	CABLE ASM-EXTENS 77069-03-000	RADIO ANTENNA CABLE EXTENSION 6600 MM USABLE LENGTH

SATELLITE DISH INSTL

NO	PART NUMBER	DESCRIPTION
DM-1	SATELLITE DISH 137135-02-000 SCREW G67-10-12B (8) PLATE & BRACKET (SUPPLIED) SCREW G67-10-12B (10)	SATELLITE DISH ANTENNA ASM MANUAL SETUP 
DA-1	SATELLITE DISH 141454-03-CHT SCREW G67-10-12B (16) PLATE & BRACKET (SUPPLIED) SCREW G67-10-12B (10)	SATELLITE DISH ANTENNA ASM AUTOMATIC SETUP 
DI-1	SATELLITE DISH 154474-04-CHT SCREW G39-10-12B (12) PLATE 146488-01-000 SCREW G67-10-12B (10)	SATELLITE DISH ANTENNA ASM IN MOTION SETUP 

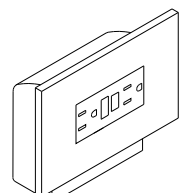
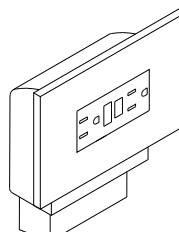
LEGEND

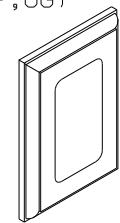
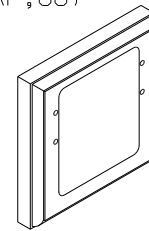
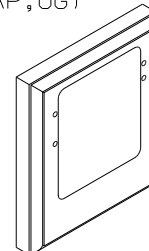
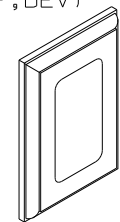
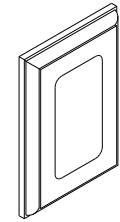


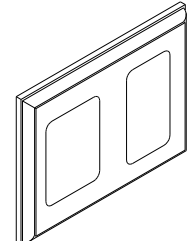
FIRST USED	96 MH'S
TITLE	DO NOT SCALE DRAWING
SHEET 5	PART NO 121339

RECEPTACLE PACKAGE - GFI

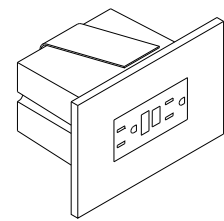
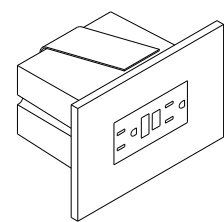
SPACERS

NO	PART NUMBER	DESCRIPTION
GFI US	RECEPTACLE 147446-01-CHT BOX 91910-02-000 PLATE-OUTLET 147450-01-CHT WIRE-BONDING 133678-03-000 SCREW G13-07-12B (4) CONNECTOR 8313-01-000 TUBING-VINYLL 8041-02-000 (300MM)	GFI RECEPTACLE WITH COVER AND BOX FOR US APPLICATION 
GFI CAN	RECEPTACLE 147446-01-CHT BOX 91910-01-000 PLATE-OUTLET 147450-01-CHT WIRE-BONDING 133678-03-000 SCREW G13-07-12B (4) CONNECTOR 8313-01-000 TUBING-VINYLL 8041-02-000 (300MM)	GFI RECEPTACLE WITH COVER AND BOX FOR CANADA APPLICATION 

NO	PART NUMBER	DESCRIPTION
SP-01	SPACER 102568-01-XXX	STANDARD 110V RECEPTACLE SPACER (WOOD,VYL RAP,OG) 
SP-02	SPACER 102568-02-XXX	WOOD SPACER FOR CEILING MOUNTED A/C PREP BOX (US) (WOOD,VYL RAP,OG) 
SP-03	SPACER 102568-03-XXX	WOOD SPACER FOR CEILING MOUNTED A/C PREP BOX (CANADA) (WOOD,VYL RAP,OG) 
SP-04	SPACER 133713-01-CHT	STANDARD 110V RECEPTACLE SPACER (WOOD,VYL RAP,BEV) 
SP-05	SPACER 133713-20-XXX	STANDARD 110V RECEPTACLE SPACER (WOOD,BEV) 

SP-21	SPACER 126052-01-XXX	WOOD SPACER FOR 1 - 110V RECEPTACLE AND 1 - REAR TV (12V) JACK (WOOD,BEV) 
-------	-------------------------	---

RECEPTACLE PACKAGE - GFI

NO	PART NUMBER	DESCRIPTION
GFI-L US	RECEPTACLE 147446-01-CHT BOX 133070-01-000 PLATE-OUTLET 147450-01-CHT WIRE-BONDING 133678-03-000 SCREW G13-07-12B (4) CONNECTOR 8313-01-000 TUBING-VINYLL 8041-02-000 (300MM)	GFI RECEPTACLE WITH COVER AND BOX FOR US APPLICATION 
GFI-L CAN	RECEPTACLE 147446-01-CHT BOX 133070-02-000 PLATE-OUTLET 147450-01-CHT WIRE-BONDING 133678-03-000 SCREW G13-07-12B (4) CONNECTOR 8313-01-000 TUBING-VINYLL 8041-02-000 (300MM)	GFI RECEPTACLE WITH COVER AND BOX FOR CANADA APPLICATION 

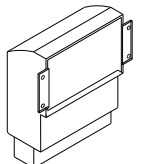
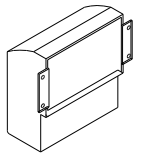
LEGEND

MISC.	SPACER
PART NUMBER → XXXX LISTING → XXX	XXXX → PART NUMBER

FIRST USED 96 MH'S
DO NOT SCALE DRAWING
TITLE: PART LISTING-ELECTRICAL
SHEET 6 PART NO 121339
11/30/2005

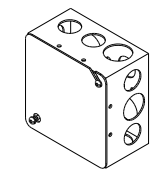
PREP - A/C, RECESSED (W/OUT FACTORY A/C)

NO	PART NUMBER	DESCRIPTION
PREP A/C-US	BOX 91910-02-000	BOX AND EQUIPMENT USED FOR A/C PREP (W/OUT FACTORY A/C). US APPLICATION (RECESSED IN ROOF)
	COVER 84099-02-CHT	
	LABEL 91243-01-000	
	SCREW G13-07-12B (4)	
	CONNECTOR 8313-01-000 (3)	
PREP A/C-CAN	BOX 91910-01-000	BOX AND EQUIPMENT USED FOR A/C PREP (W/OUT FACTORY A/C). CANADA APPLICATION (RECESSED IN ROOF)
	COVER 84099-02-CHT	
	LABEL 91243-01-000	
	SCREW G13-07-12B (4)	
	CONNECTOR 8313-01-000 (3)	



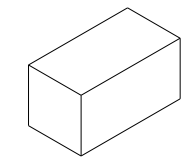
CONNECTION BOX, GENERATOR SERVICE FEED

NO	PART NUMBER	DESCRIPTION
J-GEN 30	BOX 8289-01-000	BOX AND EQUIPMENT USED FOR CONNECTING THE GENERATOR LEADS TO THE SERVICE ENTRANCE WIRES (US & CA APPLICATION)
J-GEN 30-US	COVER 8294-01-000	
J-GEN 30-CA	SCREW G67-10-10B (2)	
	WIRE ASM-GROUND 133678-02-000	
	WIRE NUT-GREY 8314-01-000 (3)	
	SCREW-GRND 103291-01-000	
	CONNECTOR-WIRE 8356-01-000	



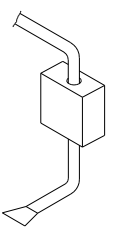
PREP - A/C, SURFACE (W/OUT FACTORY A/C)

NO	PART NUMBER	DESCRIPTION
PREP SURF	BOX 93603-01-000	SURFACE MOUNT, US AND CANADA, BOX AND EQUIPMENT FOR A/C PREP (W/OUT FACTORY A/C). TYPICALLY LOCATED ON OVERHEAD CABINET INNER WALL OR ON CEILING.
	COVER 53337-01-000	
	LABEL 91243-01-000	
	SCREW-GRND 103291-01-000	
	WIRE-BONDING 8019-01-000	
	SCREW G11-08-12B (2)	
	TERMINAL 8328-01-000	
	CONNECTOR 8313-01-000 (2)	
	CONNECTOR 8311-01-000	



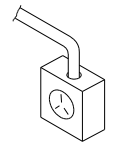
CONNECTION BOX-POWER CORD

NO	PART NUMBER	DESCRIPTION
J-PC 30	BOX 8289-01-000	CONNECTION BOX IN POWER CORD COMPT FOR POWER CORD (US & CA APPLICATION)
	COVER 8294-01-000	
J-PC 30-US	SCREW G67-10-10B (2)	
	WIRE ASM-GROUND 133678-02-000	
J-PC 30-CA	CONNECTOR 8314-01-000 (3)	
	SCREW-GRND 103291-01-000	
	CONNECTOR 8356-02-000	
	CONNECTOR (PC) 8355-01-000	

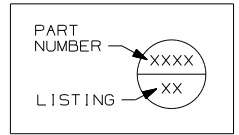


CONNECTION BOX-GENERATOR RECEPTACLE

NO	PART NUMBER	DESCRIPTION
J-RCP 30	BOX 8289-01-000	CONNECTION BOX IN POWER CORD COMPT FOR THE GENERATOR RECEPTACLE (US & CA APPLICATION)
	RECEPTACLE 24924-02-000	
J-RCP 30-US	COVER 69238-01-000	
	SCREW G67-10-10B (2)	
J-RCP 30-CA	WIRE ASM-GROUND 133678-02-000	
	133678-04-000	
	SCREW-GRND 103291-01-000	
	CONNECTOR 8314-01-000	
	TUBING-VINYL 8041-02-000 (150MM)	



LEGEND



FIRST USED	96 MH'S
TITLE	DO NOT SCALE DRAWING
	PART LISTING-ELECTRICAL
SHEET 7	PART NO 121339

WIRE IDENTIFICATION CHART		
CODE/COLOR	FROM:	TO:
A 14 YEL	GALLEY CEILING LAMP SWITCH	GALLEY CEILING LAMP
B 12 YEL	OVERCURRENT PROTECTION (30A BREAKER TYPICAL)	POWER PASSENGER SEAT ("BUDDY SEAT")
C 12 WHT	POWER PASSENGER SEAT	GROUND
D 14 YEL	SHOWER OVHD LAMP SWITCH SEE WIRE PF, START OF 97	SHOWER OVHD LAMP
E 095038-01-	PHONE INPUT JACK	REAR PHONE JACK
F 095038-01-	PHONE INPUT JACK	EXTERIOR PHONE JACK
G 12/ 10 YEL	OVERCURRENT PROTECTION (30A BREAKER TYPICAL)	HIGH SPEED HEATER FAN (USE 10 IF OVER 6' RUN)
H 095038-01-	PHONE INPUT JACK	FRONT PHONE JACK
J 6 BLK	OVERCURRENT PROTECTION (45 OR 55A BREAKER TYP)	COACH 12V PANEL/ CONVERTER BATTERY CHARGE
K 6 BLK	OVERCURRENT PROTECTION (45 OR 55A BREAKER TYP)	COACH 12V PANEL
L 6 GRN	CONVERTER 45 OR 55 AMP	GROUND
M 6 BLK	OVERCURRENT PROTECTION (45 OR 50A BREAKER)	CONVERTER BATTERY CHARGE
N 10 WHT	REFRIGERATOR	GROUND
P 10YEL(BLK)	OVERCURRENT PROTECTION (20A FUSE TYPICAL)	REFRIGERATOR (3 WAY)
R 8 GRN	REFRIGERATOR CHASSIS	GROUND
S 8 OR 6 GRN	GROUND BAR (LEFT SIDE)	CHASSIS GROUND
T 8 OR 6 GRN	GROUND BAR (RIGHT SIDE)	CHASSIS GROUND
U 6 GRN	CONVERTER CHASSIS	GROUND
W 8 GRN	- GROUND STUD	- GROUND STUD

WIRE IDENTIFICATION CHART		
CODE/COLOR	FROM:	TO:
X 14 YEL	- CHASSIS BRAKE LAMP CIRCUIT	- CENTER MOUNT BRAKE LAMP
Y 16 YEL	VOLUME CONTROL	RADIO/TV SPEAKER
Z 6 BLK	OVERCURRENT PROTECTION (45 OR 55A BREAKER TYP)	COACH 12V PANEL
AA 16 WHT	SERVICE ENGINE SOON LAMP	VEHICLE SERVICE ENGINE SOON LAMP CIRCUIT
AB 16 WHT	WATER TANK LEVEL SENSORS	GROUND
AC 16 WHT	MAIN HOLDING TANK SENSORS (BLACK WATER)	GROUND
AD 16 WHT	AUXILIARY HOLDING TANK #1 (GRAY WATER)	GROUND
AE 16 WHT	AUXILIARY HOLDING TANK #2 (GRAY WATER)	GROUND
AF 12 YEL	WATER PUMP SWITCH #1	MONITOR PANEL WATER PUMP SWITCH
AG 12 YEL	WATER PUMP SWITCH #1	MONITOR PANEL WATER PUMP SWITCH
AH 14 YEL	OVERCURRENT PROTECTION (10A FUSE TYPICAL)	BRAKE LAMP SWITCH WARNING LAMP (IGNITION RUN/START FED)
AJ 12 WHT	CHASSIS GROUND	BODY GROUND
AK 12 WHT	CHASSIS GROUND	BODY GROUND
AL 12 YEL	HEATER CONTROL (LOW SPEED)	BLOWER MOTOR (LOW SPEED)
AM 12YEL(WHT)	HEATER CONTROL (MEDIUM/LOW SPEED)	BLOWER MOTOR (MEDIUM/LOW SPEED)
AN 12 YEL	HEATER CONTROL (MEDIUM/HIGH SPEED)	BLOWER MOTOR (MEDIUM/HIGH SPEED)
AP 14 YEL	IGNITION SWITCH ACCESSORY FEED	OVERCURRENT PROTECTION (15A FUSE TYPICAL)
AR 14 WHT	HORN, FOG LAMPS	GROUND
AS 16 WHT	DASH RADIO	RIGHT FRONT SPEAKER (NEGATIVE)

WIRE IDENTIFICATION CHART		
CODE/COLOR	FROM:	TO:
AT 16 WHT	DASH RADIO	LEFT FRONT SPEAKER (NEGATIVE)
AU 16 YEL	OVERCURRENT PROTECTION (15A BREAKER TYPICAL)	FRONT CARGO LAMP SWITCH (IGNITION ACCESSORY FED)
AW 16 YEL	FRONT CARGO LAMP SWITCH	REAR CARGO LAMP SWITCH
AX 16 YEL	FRONT CARGO LAMP SWITCH	REAR CARGO LAMP SWITCH
AY 16 YEL	REAR CARGO LAMP SWITCH	CARGO LAMPS
BA 14 WHT	WINDSHIELD WIPER MOTOR	GROUND
BB 16 YEL	OVERCURRENT PROTECTION (6A BREAKER TYPICAL)	INSTRUMENT PANEL GAUGES (IGNITION ACCESSORY FED)
BC 14 WHT	INDICATOR LAMPS	GROUND
BD 14 YEL	OVERCURRENT PROTECTION (10A FUSE TYPICAL)	BRAKE LAMP SWITCH
BE 12 WHT	BLOWER MOTOR	GROUND
BF 14 WHT	WASHER BOTTLE PUMP/HORN	GROUND
BG 14 YEL	FUEL SENDER	FUEL GAUGE
BH 14 YEL	RUN ONLY POWER RELAY	ENGINE WIRING
BJ 16 YEL	OVERCURRENT PROTECTION (10A FUSE TYPICAL)	ENGINE WIRING (IGNITION RUN/START FED)
BK 14 YEL	OVERCURRENT PROTECTION (10A FUSE TYPICAL)	HORN RELAY FEED
BL 16 WHT	CIGAR LIGHTER	GROUND
BM 16 YEL	CHASSIS BATTERY POWER	CIGAR LIGHTER
BN 16 YEL	ACCESSORY POWER	SPOTLAMP
BP 14 WHT	POWER MIRROR	GROUND

WIRE IDENTIFICATION CHART		
CODE/COLOR	FROM:	TO:
BR 14 YEL	POWER MIRROR (RIGHT SIDE)	POWER MIRROR CONTROL SWITCH
BS 14 YEL	POWER MIRROR HEAT SWITCH	POWER MIRRORS
BT 14 YEL	POWER MIRROR (LEFT SIDE)	POWER MIRROR CONTROL SWITCH
BU 14 YEL	RUN ONLY POWER	POWER MIRROR HEAT/ CONTROL SWITCHES
BW 12 YEL	IGNITION SWITCH	ACCESSORY CIRCUIT FEED
BX 12YEL(ORN)	IGNITION SWITCH RUN ONLY SOURCE	GENERAL (TURN, BACK UP,DASH IGNITION CIRCUIT,ETC)
BY 12YEL/8BLK	OVERCURRENT PROTECTION (16GA FUSELINK) (8GA PASSTHRU)	CHASSIS BATTERY SOURCE(AUTO AC BLOWER,POWER DRIVER SEAT,ETC)
CA 12 YEL	OVERCURRENT PROTECTION (16GA FUSELINK TYPICAL)	CHASSIS BATTERY SOURCE
CB 12 YEL	IGNITION SWITCH START SOURCE	START CIRCUIT SOURCE
CC 16 YEL	ALTERNATOR	ALTERNATOR WARNING LAMP
CD 16 YEL	OIL PRESSURE WARNING SENDER	OIL PRESSURE WARNING LAMP
CE 16 YEL	WATER TEMPERATURE WARNING SENDER	WATER TEMPERATURE WARNING LAMP
CF 14 YEL	REAR TV JACK	POWER FEED SWITCH
CG 14 YEL	CLUTCH/NEUTRAL SWITCH	START ISOLATION RELAY
CH 14 YEL	START RELAY	ENGINE WIRING
CJ 14 YEL	WINDSHIELD WIPER/WASHER CONTROL SWITCH	WINDSHIELD WASHER PUMP
CK 16 YEL	TELEVISION	SPEAKER (POSITIVE)
CL 16 WHT	TELEVISION	SPEAKER (NEGATIVE)
CM 10 YEL	OVERCURRENT PROTECTION (15A BREAKER TYPICAL)	INVERTER FEED

WIRE IDENTIFICATION CHART		
CODE/COLOR	FROM:	TO:
CN 10 WHT	INVERTER	GROUND
CP 12 WHT	INVERTER CHASSIS	GROUND
CR 16 WHT	VEHICLE CHECK ENGINE LAMP CIRCUIT	CHECK ENGINE LAMP
CS 16 WHT	REMOTE THERMOSTAT (RC TERM/ORG EXPORT AIR)	GROUND
CT 16 YEL	DAYTIME RUNNING LAMP MODULE OUTPUT (PIN 30)	LOW BEAM HEADLAMP CIRCUIT
CU 16 YEL	DAYTIME RUNNING LAMP MODULE ENABLE (PIN 85)	RUN/START CIRCUIT
CW 14 YEL	DAYTIME RUNNING LAMP MODULE POWER (PIN 87A)	CHASSIS BATTERY POWER
CX 16 WHT	DAYTIME RUNNING LAMP MODULE GROUND (PIN 87)	GROUND
CY 16 YEL	DAYTIME RUNNING LAMP MODULE HIGH BEAM DISABLE (PIN 86)	HIGH BEAM HEADLAMP CIRCUIT
DA 12 YEL	SHOWER SUMP SYSTEM PUMP SWITCH	SHOWER SUMP SYSTEM PUMP
DB 12 WHT	SHOWER SUMP SYSTEM PUMP	GROUND
DC 16 YEL	REAR ROOF AIR CONDITIONER EXHAUST CIRCUIT	THERMOSTAT
DD 16 YEL	REAR ROOF AIR CONDITIONER COOL CIRCUIT	THERMOSTAT (Y TERM-EXPORT AIR/YEL)
DE 16 YEL	REAR ROOF AIR CONDITIONER HIGH SPEED FAN CIRCUIT	THERMOSTAT (H TERM-EXPORT AIR/BLU)
DF 16 YEL	REAR ROOF AIR CONDITIONER LOW SPEED FAN CIRCUIT	THERMOSTAT (G TERM-EXPORT AIR/RED)
DG 12YEL (GRY)	IGNITION SWITCH	ACCESSORY/RUN FEED
DH 14 YEL	EMERGENCY SHUTDOWN GAUGE	FUEL SOLENOID (DIESEL ENGINE)
DJ 16 YEL	TV/RADIO SPEAKER SWITCHING RELAY OUTPUT	LEFT REAR SPEAKER POSITIVE
DK 16 WHT	TV/RADIO SPEAKER SWITCHING RELAY OUTPUT	LEFT REAR SPEAKER NEGATIVE

WIRE IDENTIFICATION CHART		
CODE/COLOR	FROM:	TO:
DL 16 YEL	TV/RADIO SPEAKER SWITCHING RELAY OUTPUT	RIGHT REAR SPEAKER POSITIVE
DM 16 WHT	TV/RADIO SPEAKER SWITCHING RELAY OUTPUT	RIGHT REAR SPEAKER NEGATIVE
DN 10 YEL	BATTERY DISCONNECT RELAY	CIRCUIT BREAKER SLIDEOUT ROOM CIRCUIT BRKR
DP 14 YEL	TV/RADIO SPEAKER FEED SELECT SWITCH	TV/RADIO SPEAKER SWITCHING RELAY COIL INPUT OR AMPLIFIER
DR 16 YEL	HWH WIRING OR KWIKEE FRONT SLIDE MODULE	SLIDEOUT SWITCH (ROOM ONE EXTEND)
DS 16 WHT	CONTROL MODULE (FRONT SLIDE) (GROUND)	SLIDEOUT SWITCH (FRONT SLIDEOUT)
DT 16 YEL	SLIDEOUT ROOM RELAY (PIN 30)	SLIDEOUT ROOM CONTROL SWITCH
DU 16 YEL	HWH WIRING OR KWIKEE FRONT SLIDE MODULE	SLIDEOUT SWITCH (ROOM ONE RETRACT)
DW 16 WHT	SLIDEOUT ROOM SWITCH (G) (SWITCHED GROUND TO PUMP)	HWH WIRING (SWITCHED GROUND TO PUMP)
DX 16 WHT	HWH WIRING (G) (GROUND)	SLIDEOUT ROOM SWITCH (GROUND)
DY 16 WHT	HWH WIRING (G) (JACK SENSE; SWITCHED GROUND)	SLIDEOUT ROOM RELAY (JACK SENSE; SWITCHED GROUND)
EA 16 YEL	HWH WIRING (G) (ACCESSORY POWER)	SLIDEOUT ROOM RELAY (ACCESSORY POWER)
EB 16 YEL	SLIDEOUT ROOM RELAY (G) (SWITCHED ACCESSORY POWER)	FRT/RR SLIDEOUT ROOM SWITCH (SWITCHED EXTEND/RETRACT PWR)
EC 10 YEL	CHASSIS BATTERY POWER SOURCE (BATTERY MODE SOLENOID POST)	THRU FUSE TO AMP SOURCE SELECT RELAY (PIN 87) (OPTION 21V,95 Q)
ED 10 YEL	COACH BATTERY POWER SOURCE (BATTERY MODE SOLENOID POST)	THRU FUSE TO AMP SOURCE SELECT RELAY (PIN 87A) (OPTION 21V,95Q)
EE 16 YEL	AIR RIDE SUSPENSION LEFT DOWN SWITCH POSITION	AIR RIDE SUSPENSION LEFT HEIGHT CONTROL BOX
EF 16 YEL	AIR RIDE SUSPENSION LEFT UP SWITCH POSITION	AIR RIDE SUSPENSION LEFT HEIGHT CONTROL BOX
EG 16 WHT	AIR RIDE SUSPENSION WIRE ASM GROUND	AIR RIDE SUSPENSION CONTROL LAMP GROUNDS
EH 16 YEL	AIR RIDE SUSPENSION RIGHT DOWN SWITCH POSITION	AIR RIDE SUSPENSION RIGHT HEIGHT CONTROL BOX

WIRE IDENTIFICATION CHART		
CODE/COLOR	FROM:	TO:
EJ 16 YEL	AIR RIDE SUSPENSION RIGHT UP SWITCH POSITION	AIR RIDE SUSPENSION RIGHT HEIGHT CONTROL BOX
EK 16 YEL	AIR RIDE SUSPENSION AUTO MODE SWITCH POSITION	AIR RIDE SUSPENSION HEIGHT CONTROL BOXES
EL 16 YEL	RUN ONLY POWER	AIR RIDE SUSPENSION AUTO/MANUAL MODE SWITCH
EM 16 YEL	AIR RIDE SUSPENSION COMPRESSOR	COMPRESSOR ON WARNING LAMP
EN 16 YEL	AIR RIDE SUSPENSION MANUAL MODE SWITCH POSITION	LEVEL CONTROL SWITCHES AND INDICATOR LAMP
EP 14 YEL	OVERCURRENT PROTECTION (15A BREAKER TYPICAL)	SPOTLAMP
ER 16 YEL	OVERCURRENT PROTECTION (6A BREAKER TYPICAL)	ELECTRIC STEP KILL SWITCH
ES 16 YEL	ELECTRIC STEP KILL SWITCH	ELECTRIC STEP
ET 16 YEL	OVERCURRENT PROTECTION (6A BREAKER TYPICAL)	REFRIGERATOR (2 WAY)
EU 16 WHT	REFRIGERATOR (2 WAY)	GROUND
EW 14 YEL	FUEL HEATER SWITCH	FUEL HEATER (DIESEL ENGINE)
EX 14 YEL	TELEVISION POWER SWITCH	TELEVISION WALL PLATE
EY 12YELLTBLU	OVERCURRENT PROTECTION (16GA FUSELINK TYPICAL)	IGNITION SWITCH FEED #2
FA 14 YEL	DRIVER'S DOOR PASSENGER SIDE POWER WINDOW SWITCH(DOWN,PIN2)	PASSENGER'S POWER WINDOW SWITCH(PIN 2)
FB 14 YEL	DRIVER'S DOOR PASSENGER SIDE POWER WINDOW SWITCH(UP,PIN 4)	PASSENGER'S POWER WINDOW SWITCH(PIN 4)
FC 14 YEL	PASSENGER'S DOOR POWER WINDOW SWITCH(DOWN,PIN 1)	PASSENGER'S DOOR POWER WINDOW MOTOR(DOWN)
FD 14 YEL	PASSENGER'S DOOR POWER WINDOW SWITCH(UP,PIN 5)	PASSENGER'S DOOR POWER WINDOW MOTOR(UP)
FG 10 YEL	AMPLIFIER POWER SOURCE SELECT RELAY (PIN 30)	AMPLIFIER POWER FEED (DELUXE SOUND SYSTEM,95 LUXOR)
FH 10 WHT	AMPLIFIER (DELUXE SOUND SYSTEM,95 LUXOR)	GROUND

WIRE IDENTIFICATION CHART		
CODE/COLOR	FROM:	TO:
FJ 12 YEL	WATER PUMP SWITCH #2 (THREE SWITCH SYSTEM)	WATER PUMP SWITCH #1 (THREE SWITCH SYSTEM)
FK 12 YEL	WATER PUMP SWITCH #2 (THREE SWITCH SYSTEM)	WATER PUMP SWITCH #1 (THREE SWITCH SYSTEM)
FL 14 YEL	SECOND PORCH LAMP SWITCH	SECOND PORCH LAMP
FM 14 WHT	SOLENOID MOUNTING BOLT	GROUND
FN 16 YEL	SOURCE SELECTOR SWITCH (DELUXE SOUND SYSTEM,95 LUXOR)	AMP & EQUALIZER REMOTE TRIGGER (DELUXE SOUND SYSTEM,95 LUXOR)
FP 16 YEL	EXHAUST BRAKE SWITCH (DIESEL PUSHER CHASSIS)	CHASSIS EXHAUST BRAKE HARNESS & BRAKE ON DASH INDICATOR LAMP
FR 14 YEL	FORD RUN/ACCESSORY IGNITON CIRCUIT(WHT/PUR,10A FUSED)	DOCKING LAMPS, RELAY TRIGGER, REAR MONITOR CAMERA FEED
FS 14 YEL	DOCKING LAMPS RELAY(PIN 87)	DOCKING LAMPS
FT 14 WHT	DOCKING LAMPS	GROUND
FU 14 YEL	AUTOMOTIVE AIR WIRING	FORD A/C COMPRESSOR CLUTCH SWITCH CIRCUIT
FW 14 YEL	DOCKING LAMPS SWITCH	DOCKING LAMPS RELAY(PIN 30)
FX 12 YEL	OVERCURRENT PROTECTION (30A BRKR OR FUSE)	POWER DRIVER SEAT (I.E.,6 WAY)
FY 12 WHT	POWER DRIVER SEAT (I.E.,6 WAY)	GROUND
GA 14 YEL	WATER SYSTEM WINTERIZATION SWITCH	WINTERIZATION VALVE
GB 14 YEL	WATER HEATER BYPASS SWITCH	WATER HEATER BYPASS VALVE
GC 16 YEL	SLIDEOUT ROOM SPDT SWITCH (M) (SWITCHED WIRE)	HHW WIRING (SWITCHED WIRE)
GD 16 YEL	WIPER CONTROL MODULE	WIPER MOTOR (S TERMINAL)
GE 16 YEL	SWITCHED DOME LAMP FEED	DOME LAMP
GF 16 WHT	COMMON REAR CHANNEL SPEAKER RETURN	REAR SPEAKERS

WIRE IDENTIFICATION CHART		
CODE/COLOR	FROM:	TO:
GG 16 YEL	RADIO REMOTE TRIGGER (DELUXE SOUND OPTION)	SOURCE SELECTOR SWITCH (LUXOR)
GH 14 WHT	GLOW PLUG WAIT LAMP (DIESEL ENGINE)	ENGINE SENDER
GJ 16 YEL	COACH BATTERY POWER (UPSTREAM OF DISCONNECT)	LP DETECTOR AND/OR SOLAR PANEL WIRING OVERCURRENT PROTECTION
GK 14 YEL	AIR HORN SWITCH	CHASSIS HORN
GL 16 WHT	WATER/HOLDING TANKS LEVEL SENSORS	GROUND
GM 16 YEL	JET AIR RIDE SUSPENSION PRESSURE SENSORS	CHECK REAR AIR SUSPENSION DASH WARNING LAMP
GN 16 YEL	REAR TV SPEAKER OUTPUT (POSITIVE)	REAR TV SPEAKER (POSITIVE)
GP 16 WHT	REAR TV SPEAKER OUTPUT (NEGATIVE)	REAR TV SPEAKER (NEGATIVE)
GR 14 YEL	THERMOSTATICALLY CONTROLLED ROOF VENT (SEND)	THERMOSTAT (RETURN)
GS 14 YEL	THERMOSTATICALLY CONTROLLED ROOF VENT (RETURN)	THERMOSTAT (RETURN)
GT 16 YEL	RADIO POWER SWITCH (MEMORY FEED)	RADIO (MEMORY FEED)
GU 16 YEL	DEFOG MODULE OUTPUT	DEFOG RELAY, INDICATOR LAMP
GW 16 WHT	DEFOG SWITCH ON/OFF	DEFOG MODULE ON/OFF
GX 16/12 WHT	STEP COVER SWITCH (REF AAA-16/KA-12)	GROUND
GY 12 YEL	DEFOG RELAY	DEFOG UNIT
HA 14 YEL	READING LAMPS SWITCH (93 VANS)	READING LAMPS
HB 14 YEL	"MOOD" LAMPS SWITCH (93 VANS)	"MOOD" LAMPS
HC 14 YEL	12V POWER SOURCE (93 VANS)	OVERCURRENT PROTECTION (15A FUSE TYPICAL)
HD 14 YEL	SOFA SLIDE MOTOR POSITIVE (94 VANS)	SOFA MONOPLEX CONTROLLER

WIRE IDENTIFICATION CHART		
CODE/COLOR	FROM:	TO:
HE 14 WHT	SOFA SLIDE MOTOR NEGATIVE (94 VANS)	SOFA MONOPLEX CONTROLLER
HF 14 YEL	SOFA RECLINE MOTOR POSITIVE (94 VANS)	SOFA MONOPLEX CONTROLLER
HG 14 WHT	SOFA RECLINE MOTOR NEGATIVE (94 VANS)	SOFA MONOPLEX CONTROLLER
HH 16 YEL	SOFA MONOPLEX SWITCH (94 VANS)	SOFA MONOPLEX CONTROLLER
HJ 16 WHT	SOFA MONOPLEX SWITCH (94 VANS)	GROUND
HK 14 WHT	SOFA MONOPLEX CONTROLLER (94 VANS)	GROUND
HL 14 YEL	FLOOD LAMP SWITCH (94 VANS)	FLOOD LAMP
HM 16 YEL	REAR TV SPEAKER OUTPUT (POSITIVE)	REAR TV SPEAKER (POSITIVE)
HN 16 WHT	REAR TV SPEAKER OUTPUT (NEGATIVE)	REAR TV SPEAKER (NEGATIVE)
HP 16 YEL	OVERCURRENT PROTECTION (94 VANS)	REAR AC
HR 14 YEL	SWITCH (94 1200 MODEL VAN)	12VOLT RECEPTACLE
HS 16 YEL	SOLAR PANEL (1HS INDICATOR TO BATTERY)	COACH BATTERY THRU OVERCURRENT PROTECTION
HT 16 WHT	SOLAR PANEL (1HT INDICATOR TO GROUND)	GROUND
HU 16 YEL	GENERATOR SWITCH (LED)	GENERATOR (POSITION B)
HW 16 YEL	LICENSE PLATE LAMP FEED	LICENSE PLATE LAMP
HX 16 YEL	CHASSIS CLEARANCE LAMP CRT #2	CLEARANCE/MARKER LAMPS
HY 12 WHT	DEFOG UNIT	GROUND
JA 14 YEL	OVERCURRENT PROTECTION (15A FUSE/BREAKER TYPICAL)	WATER PUMP, MONITOR PANEL, ETC ("CLEAN CIRCUIT", REF JP)
JB 14 YEL	OVERCURRENT PROTECTION (15A FUSE/BREAKER TYPICAL)	FURNACE, ROOF VENT, ETC (REF JM)

WIRE IDENTIFICATION CHART		
CODE/COLOR	FROM:	TO:
JC 14 YEL	OVERCURRENT PROTECTION (15A FUSE/BREAKER TYPICAL)	COACH LIGHTING, ETC CIRCUIT #1 (REF NC)
JD 14 YEL	OVERCURRENT PROTECTION (15A FUSE/BREAKER TYPICAL)	COACH LIGHTING, ETC CIRCUIT #2 (REF ND)
JE 14 YEL	OVERCURRENT PROTECTION (15A FUSE/BREAKER TYPICAL)	COACH LIGHTING, ETC CIRCUIT #3 (REF NE)
JF 14 YEL	OVERCURRENT PROTECTION (15A FUSE/BREAKER TYPICAL)	COACH LIGHTING, ETC CIRCUIT #4 (REF NF)
JG 14 YEL	OVERCURRENT PROTECTION (15A FUSE/BREAKER TYPICAL)	COACH LIGHTING, ETC (ALT CLEAN) CIRCUIT #5 (REF JN)
JH 14 YEL	MAIN FURNACE (12V POWER)	MAIN FURNACE THERMOSTAT
JJ 14 YEL	MAIN FURNACE (HEAT)	MAIN FURNACE THERMOSTAT
JK 14 YEL	AUXILIARY FURNACE	AUXILIARY FURNACE THERMOSTAT
JL 14 YEL	AUXILIARY FURNACE	AUXILIARY FURNACE THERMOSTAT
JM 14 WHT	MAIN FURNACE	GROUND
JN 14 WHT	COACH LIGHTING CIRCUIT #5 (REF JG)	GROUND (ALTERNATE CLEAN CIRCUIT FOR LINEAR CONVERTER)
JP 14 WHT	"CLEAN CIRCUIT" DEVICES (REF JA)	GROUND
JR 16 YEL	MONITOR PANEL	LP TANK #2 LEVEL SENSOR
JS 12 YEL	MONITOR PANEL WATER PUMP SWITCH	WATER PUMP
JT 16 YEL	MONITOR PANEL	LP TANK #1 LEVEL SENSOR
JU 14 YEL	MONITOR PANEL WATER HEATER SWITCH	WATER HEATER (BLU)
JW 14 YEL	MONITOR PANEL WATER HEATER SWITCH	WATER HEATER (BRN)
JX 14 WHT	WATER HEATER	GROUND
JY 12 WHT	WATER PUMP	GROUND

WIRE IDENTIFICATION CHART		
CODE/COLOR	FROM:	TO:
KA 12 YEL	OVERCURRENT PROTECTION (25A BREAKER TYPICAL)	ELECTRIC STEP BATTERY POWER
KB 10 YEL	OVERCURRENT PROTECTION (25A BREAKER TYPICAL)	ELECTRIC STEP KILL SWITCH (OLD STEP WIRING STYLE)
KC 10 YEL	ELECTRIC STEP KILL SWITCH (OLD STEP WIRING STYLE)	ELECTRIC STEP
KD 18 WHT	ELECTRIC STEP DOOR JAMB SWITCH	ELECTRIC STEP
KE 14 YEL	RUN ONLY POWER SOURCE	GENERAL PURPOSE (RELAY TRIGGER, REAR AUTO HTR, DRL, MONITOR, ETC)
KF 16 WHT	COACH BATTERY DISCONNECT RELAY SWITCH	GROUND
KG 14 YEL	POWER LIFT VENT (BLU)	POWER LIFT SWITCH (UP)
KH 14 YEL	POWER LIFT VENT (RED)	POWER LIFT SWITCH (DOWN)
KJ 14 YEL	POWER LIFT VENT (BLK)	FAN SWITCH
KK 16 YEL	REAR STEREO	RIGHT SPEAKER (POSITIVE)
KL 16 WHT	REAR STEREO	RIGHT SPEAKER (NEGATIVE)
KM 14 YEL	POWER LIFT VENT LAMP	LAMP SWITCH
KN 16 YEL	REAR STEREO	LEFT SPEAKER (POSITIVE)
KP 16 WHT	REAR STEREO	LEFT SPEAKER (NEGATIVE)
KR 14 WHT	REAR STEREO ANTENNA	GROUND
KS 14 YEL	REAR AUTO HEATER SWITCH (HIGH SPEED)	REAR AUTO HEATER
KT 14 YEL	REAR AUTO HEATER SWITCH (MEDIUM SPEED)	REAR AUTO HEATER
KU 14 YEL	REAR AUTO HEATER SWITCH (LOW SPEED)	REAR AUTO HEATER
KW 16 YEL	DASH RADIO	RIGHT FRONT SPEAKER (POSITIVE)

WIRE IDENTIFICATION CHART		
CODE/COLOR	FROM:	TO:
KX 16 YEL	DASH RADIO	RIGHT REAR SPEAKER (POSITIVE)
KY 16 YEL	DASH RADIO	LEFT FRONT SPEAKER (POSITIVE)
LA 16 YEL	DASH RADIO	LEFT REAR SPEAKER (POSITIVE)
LB 16 WHT	DASH RADIO	RIGHT REAR SPEAKER (NEGATIVE)
LC 16 WHT	DASH RADIO	LEFT REAR SPEAKER (NEGATIVE)
LD 14 YEL	IGNITION SWITCH ACCESSORY POWER SOURCE	GENERAL PURPOSE(AUX FANS,RELAY TRIGGER,ETC.)
LE 14 YEL	AUXILIARY DEFROST FANS SWITCH (HIGH SPEED)	AUXILIARY DEFROST FANS (BLK)
LF 14 YEL	AUXILIARY DEFROST FANS SWITCH (LOW SPEED)	AUXILIARY DEFROST FANS (RED)
LG 16 YEL	COACH BATTERY DISCONNECT RELAY (TERMINAL I)	COACH BATTERY DISCONNECT RELAY SWITCH
LH 16 YEL	COACH BATTERY DISCONNECT RELAY (TERMINAL S)	COACH BATTERY DISCONNECT RELAY SWITCH
LJ 16 YEL	COACH BATTERY DISCONNECT RELAY BATTERY SIDE FUSE FEED	COACH BATTERY DISCONNECT RELAY SWITCH
LK 16 YEL	COACH BATTERY DISCONNECT RELAY LOAD SIDE FUSE FEED	COACH BATTERY DISCONNECT RELAY SWITCH/INDICATOR LAMP
LL 16 WHT	GENERATOR SWITCH (START)	GENERATOR (RED)
LM 16 WHT	GENERATOR SWITCH (STOP)	GENERATOR (ORN)
LN 16 WHT	GENERATOR SWITCH/INDICATOR (GROUND)	GENERATOR (GRN)
LP 16 YEL	GENERATOR SWITCH/INDICATOR (RUN)	GENERATOR (BLU)
LR 14 YEL	BATTERY MODE SWITCH (AUX START SWITCH)	BATTERY MODE SOLENOID (AUX START SOLENOID)
LS 12 YEL	OVERCURRENT PROTECTION 20A BREAKER TYPICAL,COACH FEED	GENERAL PURPOSE(BATTERY MODE, RADIO POWER,BATTERY CONDITION)
LT 16 YEL	BATTERY CONDITION SWITCH	VOLTMETER (POWER FEED)

WIRE IDENTIFICATION CHART		
CODE/COLOR	FROM:	TO:
LU 14 YEL	CHASSIS BRAKE LAMP CIRCUIT	VEHICLE BRAKES, TAG AXLE CONTROL MODULE,ETC.
LW 14 YEL	WIPER CONTROL MODULE (PARK)	WINDSHIELD WIPER MOTOR (FRONT)
LX 14 YEL	WIPER CONTROL MODULE (LOW SPEED)	WINDSHIELD WIPER MOTOR (FRONT)
LY 14 YEL	WIPER CONTROL MODULE (HIGH SPEED)	WINDSHIELD WIPER MOTOR (FRONT)
MA 14 YEL	WIPER CONTROL MODULE (WASHER BOTTLE PUMP)	WINDSHIELD WASHER BOTTLE PUMP (FRONT)
MB 14 YEL	CHASSIS WINDSHIELD WIPER FEED CIRCUIT	OVERCURRENT PROTECTION (6A BREAKER TYPICAL)
MC 16 WHT	INSTRUMENT PANEL LAMPS	GROUND
MD 14 YEL	OVERCURRENT PROTECTION (15A BREAKER TYPICAL)	REMOTE MIRROR RELAY/POWER WINDOW FEED
ME 14 YEL	OVERCURRENT PROTECTION (15A BREAKER TYPICAL)	AIR HORN RELAY FEED/ MARKER LAMPS RELAY FEED
MF 14 YEL	OVERCURRENT PROTECTION (15A BREAKER TYPICAL)	FOG LAMP RELAY FEED/ SPOT LAMP FEED
MG 14 WHT	GENERAL PURPOSE(RELAYS,DASH DEVICES,ETC.)	GROUND
MH 16 WHT	CHASSIS CHOKE LAMP INDICATOR CIRCUIT	CHOKE LAMP
MJ 14 YEL	CHASSIS WINDSHIELD WIPER FEED CIRCUIT	WIPER CONTROL MODULE (POWER FEED)
MK 14 YEL	CHASSIS BATTERY POWER FEED CIRCUIT	GENERAL PURPOSE(CIGAR LIGHTER, DOME/COURTESY LAMPS,ETC)
ML 16 YEL	CHASSIS INSTRUMENT PANEL LAMPS FEED CIRCUIT	INSTRUMENT PANEL LAMPS
MM 14 YEL	CHASSIS CLEARANCE LAMP CRT #1 (BRN TYPICAL)	CLEARANCE/MARKER LAMPS
MN 14 WHT	DOME LAMP SWITCHED GROUND	DOME LAMP SWITCH(DOOR JAMB, INSTRUMENT PANEL SWITCH,ETC)
MP 18/16 WHT	ELEC STEP DOOR JAMB SWITCH, LP TANK SENDER, ETC	GROUND
MR 14 YEL	REAR WINDOW WIPER SWITCH (LOW SPEED)	REAR WINDOW WIPER MOTOR (LOW SPEED)

CODE/COLOR	FROM:	WIRE IDENTIFICATION CHART TO:
MS 14 WHT	CLEARANCE/MARKER LAMPS	GROUND
MT 8 WHT	ELECTRIC STEP	GROUND
MU 14 WHT	GENERAL PURPOSE (CIGAR LIGHTER, DOME LAMPS, 12 V OUTLETS, ETC)	GROUND
MW 16 YEL	VEHICLE CHECK ENGINE LAMP CIRCUIT	CHECK ENGINE LAMP
MX 16 YEL	WINDSHIELD WIPER SWITCH	WIPER RELAY
MY 14 YEL	VEHICLE HEADLAMP FEED CIRCUIT	DIMMER MODULE
NA 14 YEL	VEHICLE HEADLAMP LOW BEAM CIRCUIT	DIMMER MODULE
NB 14 YEL	VEHICLE HEADLAMP HIGH BEAM CIRCUIT	DIMMER MODULE
NC 14 WHT	COACH LIGHTING CIRCUIT #1 (REF JC)	GROUND
ND 14 WHT	COACH LIGHTING CIRCUIT #2 (REF JD)	GROUND
NE 14 WHT	COACH LIGHTING CIRCUIT #3 (REF JE)	GROUND
NF 14 WHT	COACH LIGHTING CIRCUIT #4 (REF JF)	GROUND
NG 16 YEL	FOG LAMPS SWITCH	FOG LAMPS RELAY
NH 14 YEL	FOG LAMPS RELAY	FOG LAMPS
NJ 16 YEL	CHASSIS HORN FEED CIRCUIT	AIR HORN SWITCH
NK 14 YEL	AIR HORN SWITCH	AIR HORN AIR TANK AIR RELEASE VALVE
NL 14 YEL	AR HORN RELAY	AIR HORN AIR COMPRESSOR
NM 14 YEL	OVERCURRENT PROTECTION (15A FUSE TYPICAL)	COACH LIGHTING CIRCUIT #6 (REF PM)
NN 16 YEL	LEFT POWER MIRROR MOTOR (HORIZONTAL CONTROL, YEL)	POWER MIRROR CONTROL SWITCH

CODE/COLOR	FROM:	WIRE IDENTIFICATION CHART TO:
NR 16 YEL	LEFT POWER MIRROR (VERTICAL CONTROL, WHT)	POWER MIRROR CONTROL SWITCH
NS 14 YEL	POWER MIRROR HEATER SWITCH	POWER MIRRORS (RED)
NT 14 YEL	POWER MIRROR RELAY	POWER MIRROR CONTROL SWITCH
NU 14 YEL	AISLE LAMPS SWITCH #1	AISLE LAMPS SWITCH #2
NW 14 YEL	FRONT COMPARTMENT LAMPS SWITCH	COMPARTMENT LAMPS
NX 14 YEL	INTERSTATE COMMERCE COMMITTEE COURTESY BLINK SWITCH	CLEARANCE LAMPS
NY 14 YEL	AISLE LAMPS SWITCH #1	AISLE LAMPS SWITCH #2
PA 14 WHT	REAR AUTO HEATER	GROUND
PB 14 WHT	REAR WINDOW WIPER MOTOR	GROUND
PC 14 YEL	BEDROOM CEILING LAMP SWITCH	BEDROOM CEILING LAMP
PD 14 YEL	MAKE UP LAMP #1 SWITCH	MAKE UP LAMP #1
PE 14 YEL	BATH CEILING LAMP SWITCH	BATH CEILING LAMP
PF 14 YEL	SHOWER LAMP SWITCH WIRE D WAS FIRST USED ON C'S	SHOWER LAMP
PG 14 YEL	WARDROBE LAMP SWITCH	WARDROBE LAMP
PH 14 YEL	AISLE LAMPS SWITCH	AISLE LAMPS
PJ 14 YEL	PORCH LAMP SWITCH	PORCH LAMP
PK 14 YEL	STRIP LAMP SWITCH	STRIP LAMP
PL 14 YEL	FRONT CEILING LAMP SWITCH	FRONT CEILING LAMP
PM 14 WHT	COACH LIGHTING CIRCUIT #6 (REF NM)	GROUND

WIRE IDENTIFICATION CHART		
CODE/COLOR	FROM:	TO:
PN 16 WHT	RIGHT POWER MIRROR (COMMON, BLK)	POWER MIRROR CONTROL SWITCH
PP 16 YEL	RIGHT POWER MIRROR (HORIZONTAL CONTROL, YEL)	POWER MIRROR CONTROL SWITCH
PR 16 YEL	RIGHT POWER MIRROR (VERTICAL CONTROL, WHT)	POWER MIRROR CONTROL SWITCH
PS 14 YEL	MAP LAMP SWITCH	MAP LAMP
PT 14 YEL	BEVERAGE TRAY LAMP SWITCH	BEVERAGE TRAY LAMP
PU 14 YEL	DUMP LAMP SWITCH	DUMP LAMP
PW 14 YEL	OVERCURRENT PROTECTION (15A BREAKER TYPICAL)	POWER DOOR LOCK/UNLOCK RELAY (PIN 30)
PX 16 YEL	POWER DOOR LOCK SWITCH (LOCK) (PIN 1)	POWER DOOR LOCK RELAY (PIN 86)
PY 16 YEL	POWER DOOR LOCK SWITCH (UNLOCK) (PIN 5)	POWER DOOR UNLOCK RELAY (PIN 86)
RA 14 YEL	VEHICLE LEFT FRONT TURN SIGNAL CIRCUIT	LEFT FRONT TURN SIGNAL/MARKER LAMP
RB 14 YEL	VEHICLE RIGHT FRONT TURN SIGNAL CIRCUIT	RIGHT FRONT TURN SIGNAL/MARKER LAMP
RC 14 WHT	FRONT AUTOMOTIVE LAMPS (TURN, MARKER, ETC)	GROUND
RD 14 YEL	OVERCURRENT PROTECTION (15 A FUSE TYPICAL)	HAZARD FLASHER, HORN RELAY
RE 12 YEL	RADIATOR FAN RELAY#1 (COMMON)	RADIATOR FAN #1
RF 12 YEL	RADIATOR FAN RELAY #2 (COMMON)	RADIATOR FAN #2
RG 14 WHT	RADIATOR FAN THERMOSTAT SWITCH	RADIATOR FAN RELAYS (COILS, TRIGGER)
RH 12YEL (BLK)	OVERCURRENT PROTECTION (25A BREAKER TYPICAL)	RADIATOR FAN RELAY #1 (NORMALLY OPEN)
RJ 12YEL (BLK)	OVERCURRENT PROTECTION (25A BREAKER TYPICAL)	RADIATOR FAN RELAY #2 (NORMALLY OPEN)
RK 12 WHT	RADIATOR FAN #1	GROUND

WIRE IDENTIFICATION CHART		
CODE/COLOR	FROM:	TO:
RL 12 WHT	RADIATOR FAN #2	GROUND
RM 14 WHT	VEHICLE IGNITION SWITCH GROUND DURING START CIRCUIT	BULB CHECK (LOW TAG AIR, PARK BRAKE, ETC)
RN 14 YEL	AUTOMOTIVE AIR CONDITIONER THERMOSTAT CUTOFF SWITCH	AUTOMOTIVE AIR CONDITIONER COMPRESSOR CLUTCH
RP 14 YEL	AUTOMOTIVE AIR CONDITIONER COOLANT FAN CONTROL	COOLANT FAN RELAY
RR 14 YEL	BRAKE LAMP SWITCH	TURN SIGNAL SWITCH
RS 14 YEL	HEADLAMP SWITCH INSTRUMENT PANEL LAMP FEED SWITCH	OVERCURRENT PROTECTION (5A FUSE TYPICAL)
RT 14 YEL	HORN RELAY (COMMON)	HORN
RU 14 YEL	HORN RELAY (COIL)	HORN SWITCH
RW 14 YEL	HAZARD FLASHER	TURN SIGNAL SWITCH
RX 14 YEL	EUL WARNING LAMP	EUL MODULE
RY 14 WHT	INSTRUMENT CLUSTER/ EUL MODULE	GROUND
SA 14 YEL	ENGINE WATER TEMPERATURE SENDER	ENGINE WATER TEMPERATURE GAUGE
SB 14 YEL	ENGINE OIL PRESSURE SENDER	ENGINE OIL PRESSURE GAUGE
SC 14 YEL	VEHICLE RIGHT REAR TURN SIGNAL/BRAKE LAMP CIRCUIT	RIGHT REAR TURN SIGNAL/ BRAKE LAMPS
SD 14 YEL	VEHICLE LEFT REAR TURN SIGNAL/BRAKE LAMP CIRCUIT	LEFT REAR TURN SIGNAL/ BRAKE LAMPS
SE 16YEL (WHT)	SPEED SENSOR (TWISTED PAIR)	SPEEDOMETER AND SPEED CONTROL MODULE
SF 16WHT (BLK)	SPEED SENSOR (TWISTED PAIR)	SPEEDOMETER AND SPEED CONTROL MODULE
SG 14 YEL	IGNITION SWITCH START FEED	GENERAL (NEUTRAL SAFETY SWITCH, FUEL PUMP RELAY COIL, ETC)
SH 14 YEL	IGNITION SWITCH RUN/START FEED	GENERAL (IGNITION COIL RELAY NORMALLY OPEN CONTACT, ETC)

WIRE IDENTIFICATION CHART		
CODE/COLOR	FROM:	TO:
SJ 12YEL(BLK)	OVERCURRENT PROTECTION (16GA FUSELINK TYPICAL)	CHASSIS BATTERY FEED
SK 12YEL(WHT)	OVERCURRENT PROTECTION (16GA FUSELINK TYPICAL)	CHASSIS BATTERY HEADLAMP SWITCH FEED #1
SL 12YEL(BLU)	OVERCURRENT PROTECTION (16GA FUSELINK TYPICAL)	CHASSIS BATTERY IGNITION SWITCH FEED #1
SM 12YEL(BLK)	OVERCURRENT PROTECTION (16GA FUSELINK TYPICAL)	RADIATOR FAN #1 CIRCUIT BREAKER FEED
SN 12YEL(BLK)	OVERCURRENT PROTECTION (16GA FUSELINK TYPICAL)	RADIATOR FAN #2 CIRCUIT BREAKER FEED
SP 14 YEL	HEADLAMP SWITCH MARKER CIRCUIT FEED	OVERCURRENT PROTECTION (15A FUSE TYPICAL)
SR 12YEL(BRN)	IGNITION SWITCH RUN ONLY FEED	OVERCURRENT PROTECTION (15A FUSE TYPICAL)
SS 12YEL(WHT)	IGNITION SWITCH ACCESSORY FEED	OVERCURRENT PROTECTION (15A FUSE TYPICAL)
ST 14 YEL	OVERCURRENT PROTECTION (15A FUSE TYPICAL)	TURNS/BACK UP CIRCUIT FEED
SU	STARTER SOLENOID BATTERY TERMINAL	ALTERNATOR BATTERY TERMINAL
SW 14 YEL	TURN SIGNAL FLASHER	TURN SIGNAL SWITCH
SX 14 YEL	REAR WINDOW WASHER SWITCH	REAR WINDOW WASHER BOTTLE PUMP
SY 14 YEL	IGNITION COIL	TACHOMETER
TA 14 YEL	OVERCURRENT PROTECTION (15A FUSE TYPICAL)	IGNITION RUN ONLY GENERAL FEED (RADIATOR FAN RELAY COIL,ETC)
TB 12 YEL	OVERCURRENT PROTECTION (25A FUSE TYPICAL)	IGNITION RUN ONLY GENERAL FEED (AUTO AC BLOWER (NOT HIGH) ,ETC)
TC 14 YEL	OVERCURRENT PROTECTION (15A FUSE TYPICAL)	IGNITION RUN ONLY GENERAL FEED (DOOR LOCKS, REAR WIPER, ETC.)
TD 14 YEL	OVERCURRENT PROTECTION (15A FUSE TYPICAL)	CHASSIS BATTERY GENERAL FEED
TE 16 WHT	GENERATOR	GENERATOR LOW OIL INDICATOR LAMP
TF 16 YEL	GENERATOR	GENERATOR LOW OIL INDICATOR LAMP

WIRE IDENTIFICATION CHART		
CODE/COLOR	FROM:	TO:
TG 16 YEL	TELEVISION	SPEAKER RIGHT (POSITIVE)
TH 16 WHT	TELEVISION	SPEAKER RIGHT (NEGATIVE)
TJ 16 YEL	TELEVISION	SPEAKER LEFT (POSITIVE)
TK 16 WHT	TELEVISION	SPEAKER LEFT (NEGATIVE)
TL 16 YEL	FRONT RIGHT TV SPEAKER NEGATIVE,SERIES CONNECTION	FRONT LEFT TV SPEAKER POSITIVE,SERIES CONNECTION
TM 16 WHT	STEP COVER SWITCH	STEP COVER SOLENOID MOVES STEP OUT
TN 14 YEL	STARTER SOLENOID BATTERY TERMINAL	ALTERNATOR REGULATOR
TP 14 WHT	REAR AUTOMOTIVE LAMPS (TURN, MARKER, ETC)	GROUND
TR 14 YEL	VEHICLE BACK UP CIRCUIT FEED	BACK UP LAMPS
TS 14 YEL	STARTER SOLENOID (I TERMINAL)	ENGINE WIRING (IGNITION MODULE)
TT 14 YEL	NEUTRAL SAFETY SWITCH	STARTER SOLENOID (S TERMINAL)
TU 14 WHT	IGNITION COIL RELAY (COIL)	GROUND
TW 14 YEL	IGNITION SWITCH START/RUN FEED	IGNITION COIL
TX 14 YEL	IGNITION COIL RELAY (COMMON)	IGNITION COIL
TY 14 YEL	ALTERNATOR (T TERMINAL)	CHOKE HEATER
UA 14 YEL	FUEL PUMP FUSE	OIL PRESSURE CUTOUT SWITCH/ FUEL PUMP RELAY (NO) , ETC
UB 14 YEL	INERTIA SWITCH (FUEL PUMP SHUTOFF)	FUEL PUMP RELAY (NORMALLY CLOSED)
UC 14 YEL	FUEL PUMP RELAY (COMMON)	FUEL PUMP
UD 16 WHT	FUEL GAUGE	FUEL SENDER

WIRE IDENTIFICATION CHART		
CODE/COLOR	FROM:	TO:
UE 14 YEL	INERTIA SWITCH (FUEL PUMP SHUTOFF)	OIL PRESSURE CUTOFF SWITCH
UF 14 WHT	FUEL PUMP	GROUND
UG 14 WHT	FUEL PUMP RELAY (COIL)	GROUND
UH 16 YEL	LP DETECTOR (SHUTOFF SYSTEM, YEL)	LP SAFETY VALVE
UJ 16 YEL	LP DETECTOR (SHUTOFF SYSTEM, YEL)	LP SAFETY SWITCH
UK 16 WHT	LP DETECTOR (BLK) (REF WB)	GROUND
UL 16 WHT	EUL LAMP	EUL MODULE
UM 16 WHT	DOOR JAMB DOME LAMP SWITCH	GROUND
UN 16 WHT	SEAT BELT LAMP	EUL MODULE
UP 16 YEL	SEAT BELT LAMP	SEAT BELT BUZZER
UR 16 WHT	PARK BRAKE SWITCH	PARK BRAKE LAMP
US 16 YEL	OVERCURRENT PROTECTION (6A BREAKER TYPICAL)	COACH BATTERY FEED TO BATTERY CONDITION SWITCH
UT 14 YEL	DOOR JAMB DOME LAMP SWITCH (SWITCH POSITIVE)	DOME LAMP
UU 16 YEL	WATER HEATER	VACUUM VALVE SOLENOID
UW 16 WHT	VACUUM VALVE SOLENOID	GROUND
UX 16 YEL	LP DETECTOR #2 (SHUTOFF SYSTEM, YEL)	LP SAFETY VALVE
UY 16 YEL	LP DETECTOR #2 (SHUTOFF SYSTEM, YEL)	LP SAFETY VALVE
WA 14 YEL	EXTERIOR SERVICE LAMP SWITCH	EXTERIOR SERVICE LAMP
WB 16 YEL	OVERCURRENT PROTECTION (6A BREAKER TYPICAL)	LP DETECTOR (REF UK)

WIRE IDENTIFICATION CHART		
CODE/COLOR	FROM:	TO:
WC 14 YEL	OVERCURRENT PROTECTION (15A BREAKER TYPICAL)	COMPARTMENT LAMPS (REF WE)
WD 14 WHT	AISLE LAMPS	GROUND
WE 14 WHT	COMPARTMENT LAMPS (REF WC)	GROUND
WF 12YEL(WHT)	OVERCURRENT PROTECTION (30A BREAKER TYPICAL)	PARK BRAKE COMPRESSOR SOLENOID
WG 12YEL(BLK)	OVERCURRENT PROTECTION (30A BREAKER TYPICAL)	IGNITION RELAY
WH 14 YEL	OVERCURRENT PROTECTION (15A BREAKER TYPICAL)	IGNITION SWITCH RUN ONLY FEED
WJ 12 YEL	OVERCURRENT PROTECTION (20A BREAKER TYPICAL)	IGNITION SWITCH ACCESSORY FEED RELAY
WK 14 YEL	OVERCURRENT PROTECTION (15A BREAKER TYPICAL)	IGNITION SWITCH ACCESSORY FEED
WL 14 YEL	POWER DOOR LOCK RELAY (PIN 30)	POWER DOOR LOCK MOTOR(S) (LOCK)
WM 14 WHT	POWER DOOR UNLOCK RELAY (PIN 30)	POWER DOOR LOCK MOTOR(S) (UNLOCK)
WN 16 YEL	RADIO POWER SWITCH (ACCESSORY POWER)	DASH RADIO (ACCESSORY POWER)
WP 10 YEL	OVERCURRENT PROTECTION (25A BREAKER TYPICAL)	FRONT PANEL LOADS (INVERTER, RADIO) (96 M-SERIES)
WR 14 YEL	OVERCURRENT PROTECTION (15A BREAKER TYPICAL)	POWER SEAT LIFT SWITCH
WS 14 WHT	POWER SEAT LIFT SWITCH	GROUND
WT 14 YEL	POWER SEAT LIFT SWITCH (UP)	MOTOR (POSITIVE UP)
WU 14 WHT	POWER SEAT LIFT SWITCH (DOWN)	MOTOR (POSITIVE DOWN)
WW 14 WHT	SPOT LAMP SWITCH	GROUND
WX 14 YEL	HALLWAY CEILING LAMP SWITCH	HALLWAY CEILING LAMP
WY 10 WHT	AUTOMOTIVE AIR CONDITIONER MOTOR	GROUND

WIRE IDENTIFICATION CHART		
CODE/COLOR	FROM:	TO:
XA 12/10 YEL	VEHICLE AUTOMOTIVE AIR FEED CIRCUIT	AUTOMOTIVE AIR CONDITIONER BLOWER (USE 10 IF OVER 6')
XB 14 YEL	DRIVER'S DOOR POWER WINDOW SWITCH (PIN 5)	DRIVER'S DOOR POWER WINDOW MOTOR (POSITIVE UP)
XC 14 WHT	DRIVER'S DOOR POWER WINDOW SWITCH (PIN 1)	DRIVER'S DOOR POWER WINDOW MOTOR (POSITIVE DOWN)
XD 16 WHT	MONITOR PANEL	HOLDING TANK LEVEL SENSOR (FULL)
XE 16 WHT	MONITOR PANEL	HOLDING TANK LEVEL SENSOR (3/4)
XF 16 WHT	MONITOR PANEL	HOLDING TANK LEVEL SENSOR (1/2)
XG 16 WHT	MONITOR PANEL	HOLDING TANK LEVEL SENSOR (1/4)
XH 16 YEL	MONITOR PANEL	WATER TANK LEVEL SENSOR
XJ 16 YEL	MONITOR PANEL	BLACK HOLDING LEVEL SENSOR (MAIN TANK)
XK 16 YEL	MONITOR PANEL	GRAY AUXILIARY HOLDING TANK #1 LEVEL SENSOR (AUX TANK #1)
XL 16 YEL	MONITOR PANEL	GRAY AUXILIARY HOLDING TANK #2 LEVEL SENSOR (AUX TANK #2)
XM 14 YEL	OVERCURRENT PROTECTION (18GA FUSELINK TYPICAL)	IGNITION START RELAY
XN 16 YEL	FRONT ROOF AIR CONDITIONER (EXHAUST)	THERMOSTAT (EX TERMINAL)
XP 16 YEL	FRONT ROOF AIR CONDITIONER (COOL)	THERMOSTAT (Y TERMINAL) (Y EXPORT AIR)
XR 16 YEL	FRONT ROOF AIR CONDITIONER (HIGH SPEED BLOWER)	THERMOSTAT (GH TERMINAL) (H EXPORT AIR)
XS 16 YEL	FRONT ROOF AIR CONDITIONER (LOW SPEED BLOWER)	THERMOSTAT (GL TERMINAL) (G EXPORT AIR)
XT 14 YEL	IGNITION START RELAY #1 (NORMALLY CLOSED CONTACT)	IGNITION START RELAY #2 (COMMON CONTACT)
XU 14 YEL	DINETTE OVHD LAMP SWITCH	DINETTE OVHD LAMP
XW 14 WHT	IGNITION SWITCH ACCESSORY FEED RELAY CIRCUIT	GROUND

WIRE IDENTIFICATION CHART		
CODE/COLOR	FROM:	TO:
XX 14 YEL	GALLEY LAMP SWITCH	GALLEY LAMP
XY 14 YEL	MAKE UP LAMP #2 SWITCH	MAKE UP LAMP #2
YA 14 YEL	TAG AXLE PRESSURE CONTROL SWITCH	COMPRESSOR SOLENOID/ SOLENOID AIR VALVE
YB 14 WHT	LOW AIR PRESSURE SWITCH	GROUND
YC 10YEL (BLU)	OVERCURRENT PROTECTION (30A BREAKER TYPICAL)	TAG AXLE COMPRESSOR SOLENOID
YD 14 WHT	TAG AXLE MOUNTING PLATE SCREW	GROUND
YE 10 WHT	TAG AXLE COMPRESSOR	GROUND
YF 12 WHT	TAG AXLE BRAKE CONTROL MODULE/BRAKE MAGNET	GROUND
YG 12YEL (BLK)	OVERCURRENT PROTECTION (20A BREAKER TYPICAL)	TAG AXLE BRAKE CONTROL MODULE
YH 12YEL (BLU)	TAG AXLE BRAKE CONTROL MODULE	TAG AXLE BRAKE MAGNET
YJ 10YEL (WHT)	TAG AXLE COMPRESSOR SOLENOID	TAG AXLE COMPRESSOR
YK 14 YEL	BEDROOM CEILING LAMP SWITCH #1 (2 SWITCH SYSTEM)	BEDROOM CEILING LAMP SWITCH #2 (2 SWITCH SYSTEM)
YL 14 YEL	BEDROOM CEILING LAMP SWITCH #1 (2 SWITCH SYSTEM)	BEDROOM CEILING LAMP SWITCH #2 (2 SWITCH SYSTEM)
YM 14 YEL	HALLWAY CEILING LAMP SWITCH #1 (2 SWITCH SYSTEM)	HALLWAY CEILING LAMP SWITCH #2 (2 SWITCH SYSTEM)
YN 14 YEL	HALLWAY CEILING LAMP SWITCH #1 (2 SWITCH SYSTEM)	HALLWAY CEILING LAMP SWITCH #2 (2 SWITCH SYSTEM)
YP 14 YEL	VALANCE LAMP SWITCH #1 (3 WAY SWITCH)	VALANCE LAMP SWITCH #2 (3 WAY SWITCH)
YR 14 YEL	VALANCE LAMP SWITCH #1 (3 WAY SWITCH)	VALANCE LAMP SWITCH #2 (3 WAY SWITCH)
YS 14 YEL	VALANCE LAMP SWITCH	VALANCE LAMP
YT 14 YEL	FRONT VALANCE LAMP SWITCH	FRONT VALANCE LAMP

WIRE IDENTIFICATION CHART		
CODE/COLOR	FROM:	TO:
YU 14 YEL	REAR VALANCE LAMP SWITCH	REAR VALANCE LAMP
YW 14 WHT	DOOR BELL SWITCH	DOOR BELL
YX 14 YEL	IGNITION SWITCH RUN/START FEED	ALTERNATOR WARNING LAMP
YY 14 YEL	ALTERNATOR VOLTAGE REGULATOR	ALTERNATOR WARNING LAMP
AAA 16 WHT	STEP COVER SWITCH (REF GX)	STEP COVER SOLENOID MOVES STEP IN
AAB 14 YEL	DINETTE READING LAMPS	DINETTE READING LAMP SWITCH
AAC 14 YEL	LOUNGE READING LAMPS	LOUNGE READING LAMP SWITCH
AAD 14 YEL	FORD CHASSIS TRAILER MARKER LAMP CIRCUIT (BR/WHT)	TRAILER CONNECTOR SOCKET MARKER LAMPS
AAE 14 YEL	FORD CHASSIS TRAILER BACKUP LAMP CIRCUIT (BLK/LT GRN)	TRAILER CONNECTOR SOCKET BACKUP LAMPS
AAF 14 YEL	FORD CHASSIS TRAILER LEFT TURN/BRAKE LAMP CIRCUIT (YEL)	TRAILER CONNECTOR SOCKET LEFT TURN/BRAKE LAMP
AAG 14 YEL	FORD CHASSIS TRAILER RIGHT TURN/BRAKE LAMP CIRCUIT (DKG)	TRAILER CONNECTOR SOCKET RIGHT TURN/BRAKE LAMP
AAH 14 YEL	BATH-VENT, POWER	BATH-VENT, THERMOSTAT
AAJ 14 YEL	BATH-VENT, POWER	BATH-VENT, THERMOSTAT
AAK 16 WHT	SWITCH-WATER PUMP (MULTIPLEX SYSTEM)	LATCHING RELAY (WITH 4 OR MORE SWITCHES)
AAL 16 WHT	SWITCH-WATER PUMP (MULTIPLEX SYSTEM)	GROUND
AAM 14 YEL	CHASSIS SUPPLIED WIRE ASM (DARK BLUE) (GM)	RIGHT TAIL LAMP PARK (WIE)
AAN 14 YEL	CHASSIS SUPPLIED WIRE ASM (PURPLE) (GM)	LEFT TAIL LAMP PARK (WIE)
AAP 10 YEL	55 AMP BREAKER JUMPER WIRE	30 AMP BREAKER
AAR 14 YEL	TV/RADIO SPEAKER FEED SELECTOR SWITCH	TV SPEAKER AMPLIFIER

WIRE IDENTIFICATION CHART		
CODE/COLOR	FROM:	TO:
AAS 16 YEL	TV SPEAKER (NEGATIVE) BEDROOM SPEAKERS IN SERIES	TV SPEAKER (POSITIVE)
AAT 16 YEL	AMPLIFIER POSITIVE OUT (AAU NEGATIVE)	FRONT WOOFER (WITH DELUXE SOUND SYSTEM)
AAU 16 WHT	AMPLIFIER NEGATIVE OUT (AAT POSITIVE)	FRONT WOOFER (WITH DELUXE SOUND SYSTEM)
AAW 16 YEL	AMPLIFIER POSITIVE OUT (AAX NEGATIVE)	REAR WOOFER (WITH DELUXE SOUND SYSTEM)
AAX 16 WHT	AMPLIFIER NEGATIVE OUT (AAW POSITIVE)	REAR WOOFER (WITH DELUXE SOUND SYSTEM)
AAZ 12 YEL	SLIDEOUT ROOM CONTROL SWITCH (RAM #1)	SLIDEOUT DRIVE MOTOR LEAD #1
AAZ 12 YEL	SLIDEOUT ROOM CONTROL SWITCH (RAM #1)	SLIDEOUT DRIVE MOTOR LEAD #2
BBA 16 WHT	SLIDEOUT WIRING (PARK BRAKE SW) (SWITCHED GRD)	SLIDEOUT ROOM RELAY (GROUND TERMINAL)
BBB 16 YEL	SLIDEOUT ROOM CIRCUIT BREAKER (6 AMP)	SLIDEOUT ROOM RELAY (PIN 86 & 87)
BBC 16 YEL	LOAD SHEDDER MONITOR PANEL (RED WIRE)	LOAD SHEDDER CONTROL BOARD (RED WIRE)
BBD 16 YEL	LOAD SHEDDER MONITOR PANEL (BLUE WIRE)	LOAD SHEDDER CONTROL BOARD (BLUE WIRE)
BBE 16 YEL	LOAD SHEDDER MONITOR PANEL (BLACK WIRE)	LOAD SHEDDER CONTROL BOARD (BLACK WIRE)
BBF 16 YEL	LOAD SHEDDER MONITOR PANEL (GRAY WIRE)	LOAD SHEDDER CONTROL BOARD (GRAY WIRE)
BBG 14 YEL	DINETTE CEILING LAMP SWITCH	DINETTE CEILING LAMP
BBH 16 YEL	REAR COMPRESSOR SIGNAL REAR THERMOSTAT	LOAD SHEDDER CONTROL BOARD
BBJ 16 YEL	LOAD SHEDDER CONTROL BOARD	REAR A/C (COOL)
BBK 12 WHT	JET AIR/TAG AXLE WIRING	GROUND, CHASSIS
BBL 14 YEL	OVHD SWITCH	OVHD HALOGEN LAMPS
BBM 16 YEL	SLIDEOUT ROOM SWITCH (ROOM TWO EXTEND)	HWH WIRING (ROOM TWO EXTEND)

WIRE IDENTIFICATION CHART		
CODE/COLOR	FROM:	TO:
BBN 16 YEL	SLIDEOUT ROOM SWITCH (ROOM TWO RETRACT)	HWH WIRING (ROOM TWO RETRACT)
BBP 14 YEL	ICC COURTESY BLINK SWITCH	ICC COURTESY BLINK RELAY
BBR 14 YEL	ICC COURTESY BLINK RELAY	CLEARANCE LAMPS
BBS 14 YEL	CHASSIS FUSE PANEL	ICC COURTESY BLINK RELAY
BBT 14 YEL	DOCKING LAMP SWITCH TRIGGER RELAY	DOCKING LAMP SWITCH
BBU 12 YEL	DOCKING LAMP CIRCUIT BREAKER	DOCKING LAMP RELAY
BBW 14 YEL	FORD LEFT HAND LOW BEAM CIRCUIT	LEFT HAND LOW BEAM
BBX 14 YEL	FORD RIGHT HAND LOW BEAM CIRCUIT	RIGHT HAND LOW BEAM
BBY 14 YEL	SWITCH-MONITOR PANEL (IN EXT. WATER CENTER)	EXTERIOR MONITOR PANEL (IN EXT. WATER CENTER)
BBZ 14 YEL	OVERCURRENT PROTECTION (15A FUSE/BREAKER TYPICAL)	AUXILIARY FURNACE (CCA)
CCA 14 WHT	AUXILIARY FURNACE	GROUND
CCB 16 YEL	EXTERIOR MONITOR PANEL	WATER TANK LEVEL SENSOR
CCC 16 YEL	EXTERIOR MONITOR PANEL	MAIN HOLDING TANK LEVEL SENSOR
CCD 16 YEL	EXTERIOR MONITOR PANEL	AUX HOLDING TANK LEVEL SENSOR
CCE 14 YEL	COMPARTMENT LAMP SWITCH	COMPARTMENT LAMP
CCF 14 YEL	COMPARTMENT LAMP SWITCH	COMPARTMENT LAMP
CCG 14 YEL	COMPARTMENT LAMP SWITCH	COMPARTMENT LAMP
CCH 14 YEL	COMPARTMENT LAMP SWITCH	COMPARTMENT LAMP
CCJ 14 YEL	COMPARTMENT LAMP SWITCH	COMPARTMENT LAMP

WIRE IDENTIFICATION CHART		
CODE/COLOR	FROM:	TO:
CCK 14 YEL	COMPARTMENT LAMP SWITCH	COMPARTMENT LAMP
CCL 14 YEL	COMPARTMENT LAMP SWITCH	COMPARTMENT LAMP
CCM 14 YEL	COMPARTMENT LAMP SWITCH	COMPARTMENT LAMP
CCN 16 YEL	THERMOSTATE LOW SPEED FAN SIGNAL	CENTRAL AIR AND LOAD SHEDDER
CCP 16 YEL	LOAD SHEDDER COMPRESSOR TWO CONTROL RELAY	CENTRAL A/C COMPRESSOR TWO
CCR 14 YEL	SWITCH-MONITOR PANEL (IN EXT. WATER CENTER)	EXTERIOR MONITOR PANEL (IN EXT. WATER CENTER)
CCS 16 YEL	NOISE FILTER	RADIO POWER INPUT
CCT 16 YEL	REAR RIGHT TV SPEAKER NEGATIVE,SERIES CONNECTION	REAR LEFT TV SPEAKER POSITIVE,SERIES CONNECTION
CCU 16 YEL	GM DOME LAMP POWER	DOME LAMP
CCW 12 YEL	DUAL MODE SOLENOID (CHASSIS SIDE)	FUSE HOLDER (30 AMP)
CCX 16 YEL	ORG WIRE ON AIR COMPRESSOR	AIR PRESSURE SWITCH ON AIR TANK
CCY 16 YEL	HWH WIRING (BATTERY POWER)	SLIDEOUT ROOM SWITCH (POSITIVE)
CCZ 16 YEL	HWH WIRING (SWITCHED BATTERY POWER)	SLIDEOUT ROOM #1 SWITCH (POSITIVE)
DDA 16 YEL	HWH WIRING (PUMP RELAY CONTROL)	SLIDEOUT ROOM SWITCH (POSITIVE)
ddb 14 YEL	REAR AUTO HEATER CIRCUIT BREAKER	REAR AUTO HEATER RELAY (POWER)
DDC 14 YEL	REAR AUTO HEATER RELAY (SWITCHED POWER)	REAR AUTO HEATER SWITCH (COMMON TERMINAL)
DDD 14 YEL	MODULE-CHARGE CONTROL RELAY OUTPUT	AUX-START SOLENOID RELAY
DDE 14 YEL	AUX-START SOLENOID RELAY	AUX-START SOLENOID
DDF 10 YEL	HEATER BLOWER CIRCUIT BREAKER	HEATER BLOWER RELAY

WIRE IDENTIFICATION CHART		
CODE/COLOR	FROM:	TO:
DDG 10 YEL	CIRCUIT BREAKER BUSS BAR	CHASSIS BATTERY FEED CIRCUIT BREAKER
DDH 14 YEL	FREIGHTLINER RUN ONLY TRIGGER CIRCUIT	HEATER BLOWER RELAY
DDJ 14 YEL	FREIGHTLINER PARKING BRAKE TRIGGER CIRCUIT	HWH WIRE ASM-PARKING BRAKE SENSOR WIRE
DDK 16 YEL	HWH WIRING (PUMP RELAY CONTROL)	REAR SLIDEBOUT ROOM SWITCH (POSITIVE)
DDL 14 WHT	FRONT LEFT AUTOMOTIVE LAMPS	GROUND
DDM 14 WHT	FRONT RIGHT AUTOMOTIVE LAMPS	GROUND
DDN 16 YEL	TIMER MODULE	CHECK ANTENNA LIGHT
DDP 12 YEL	OVERCURRENT PROTECTION (20A BREAKER TYPICAL)	INVERTER FEED (INVERTER NUMBER 2)
DDR 12 WHT	INVERTER (INVERTER NUMBER 2)	GROUND
DDS 12 WHT	INVERTER CHASSIS (INVERTER NUMBER 2)	GROUND
DDT 12 YEL	POWER COMPT DOOR LOCK RELAY (RIGHT SIDE)	POWER COMPT DOOR LOCK MOTOR(S) (RIGHT SIDE)
DDU 12 WHT	POWER COMPT DOOR UNLOCK RELAY (RIGHT SIDE)	POWER COMPT LOCK MOTOR(S) (UNLOCK) (RIGHT SIDE)
DDV 12 YEL	POWER COMPT DOOR LOCK RELAY (LEFT SIDE)	POWER COMPT LOCK MOTOR(S) (LOCK) (LEFT SIDE)
DDW 12 WHT	POWER COMPT DOOR UNLOCK RELAY (LEFT SIDE)	POWER COMPT LOCK MOTOR(S) (UNLOCK) (LEFT SIDE)
DDX 12 YEL	OVERCURRENT PROTECTION (20A BREAKER TYPICAL)	POWER COMPT DOOR LOCK/ UNLOCK RELAY (RIGHT SIDE)
DDY 12 YEL	OVERCURRENT PROTECTION (20A BREAKER TYPICAL)	POWER COMPT DOOR LOCK/ UNLOCK RELAY (LEFT SIDE)
DDZ 12 YEL	POWER COMPT DOOR LOCK SWITCH (LOCK) (PIN 1)	POWER COMPT DOOR LOCK RELAY (PIN 86)
DEA 12 WHT	POWER COMPT DOOR LOCK SWITCH (UNLOCK) (PIN 5)	POWER COMPT DOOR UNLOCK RELAY (PIN 86)
DEB 12 WHT	POWER COMPT DOOR LOCK RELAYS (LEFT SIDE)	GROUND

WIRE IDENTIFICATION CHART		
CODE/COLOR	FROM:	TO:
EEC 12 YEL	25 AMP BREAKER IN 12 VOLT PANEL	SOFA RECLINER SWITCH SOFA 4-WAY RECLINER
EED 12 WHT	SOFA RECLINER SWITCH SOFA 4-WAY RECLINER	GROUND
EEE 14 YEL	OVERCURRENT PROTECTION (15A BREAKER TYPICAL)	12V POWER JACK
EEF 14 WHT	12V POWER JACK	GROUND
EEG 12 WHT	POWER COMPT DOOR LOCK RELAYS (RIGHT SIDE)	GROUND
EEH 12 YEL	SOFA RECLINER SWITCH EXTEND	SOFA RECLINER MOTOR SOFA 4-WAY
EEJ 12 YEL	SOFA RECLINER SWITCH RETRACT	SOFA RECLINER MOTOR SOFA 4-WAY
E EK 16 YEL	AUDIO AMPLIFIER	LH FRT SPKR (+)
EEL 16 WHT	AUDIO AMPLIFIER	LH FRT SPKR (-)
EEM 16 YEL	AUDIO AMPLIFIER	RH FRT SPKR (+)
EEN 16 WHT	AUDIO AMPLIFIER	RH FRT SPKR (-)
EEP 16 YEL	AUDIO AMPLIFIER	LH RR SPKR (+)
EER 16 WHT	AUDIO AMPLIFIER	LH RR SPKR (-)
EES 16 YEL	AUDIO AMPLIFIER	RH RR SPKR (+)
EET 16 WHT	AUDIO AMPLIFIER	RH RR SPKR (-)
EEU 16 YEL	AUDIO AMPLIFIER	CTR CHANNEL SPKR (+)
EEW 16 WHT	AUDIO AMPLIFIER	CTR CHANNEL SPKR (-)
EEX 12/10 YEL	PASSENGER AUTO A/C FEED CIRCUIT	PASSENGER AUTO A/C BLOWER (USE 10 IF OVER 6')
E EY 10 WHT	PASSENGER AUTO A/C MOTOR	GROUND

WIRE IDENTIFICATION CHART		
CODE/COLOR	FROM:	TO:
EEZ 12/10 YEL	OVERCURRENT PROTECTION (30A BREAKER TYPICAL)	PASSENGER HI-SPEED HEATER FAN (USER 10 IF OVER 6')
FFA 10 YEL	PASSENGER HEATER BLOWER CIRCUIT BREAKER	PASSENGER HEATER BLOWER RELAY
FFB 10 YEL	OVERCURRENT PROTECTION (30A BREAKER TYPICAL)	POWER LOUNGE CHAIR
FFC 10 WHT	POWER LOUNGE CHAIR	GROUND
FFD 12 YEL	OVERCURRENT PROTECTION (30A BREAKER TYPICAL)	AWNING CONTROL BOX (12V POSITIVE)
FFE 12 WHT	AWNING CONTROL BOX	GROUND
FFF 12 YEL	AWNING CONTROL BOX	DOOR AWNING (MOTOR POSITIVE)
FFG 12 WHT	DOOR AWNING (MOTOR GROUND)	AWNING CONTROL BOX
FFH 12 YEL	AWNING CONTROL BOX	PATIO AWNING (MOTOR POSITIVE)
FFJ 12 WHT	PATIO AWNING (MOTOR GROUND)	AWNING CONTROL BOX
FFK 16 YEL	AWNING CONTROL BOX	DOOR AWNING SWITCH (EXTEND)
FFL 16 YEL	DOOR AWNING SWITCH (COMMON)	AWNING CONTROL BOX
FFM 16 YEL	AWNING CONTROL BOX	DOOR AWNING SWITCH (RETRACT)
FFN 16 YEL	AWNING CONTROL BOX	PATIO AWNING SWITCH (EXTEND)
FFP 16 YEL	PATIO AWNING SWITCH (COMMON)	AWNING CONTROL BOX
FFR 16 YEL	AWNING CONTROL BOX	PATIO AWNING SWITCH (RETRACT)
FFS 14 WHT	RELAY (PIN 30)	AWNING CONTROL BOX
FFT 14 WHT	PATIO AWNING SWITCH	AWNING CONTROL BOX
FFU 16 YEL	AWNING SELECTOR SWITCH (DOOR AWNING)	AWNING CONTROL SWITCH (DOOR AWNING)

WIRE IDENTIFICATION CHART		
CODE/COLOR	FROM:	TO:
FFV 16 YEL	AWNING SELECTOR SWITCH (PATIO AWNING)	AWNING CONTROL SWITCH (PATIO AWNING)
FFW 14 YEL	LOUNGE LAMPS SWITCH #1	LOUNGE LAMPS SWITCH #2
FFX 14 YEL	LOUNGE LAMPS SWITCH #1	LOUNGE LAMPS SWITCH #2
FFY 14 YEL	CEILING FAN SWITCH	CEILING FAN
FFZ 14 YEL	OVERCURRENT PROTECTION (15A FUSE/BREAKER TYPICAL)	COACH LIGHTING, ETC CIRCUIT #7 (REF GGA)
GGA 14 WHT	COACH LIGHTING (REF-FFZ)	GROUND
GGB 14 YEL	POWER LIFT VENT	POWER LIFT SWITCH (UP)
GGC 14 YEL	POWER LIFT VENT	POWER LIFT SWITCH (DOWN)
GGD 16 YEL	CONTROL MODULE (LEFT FRONT SLIDE) (STOP)	SLIDEOUT SWITCH (LEFT FRONT SLIDE)
GGE 16 YEL	CONTROL MODULE (LEFT FRONT SLIDE) (GREEN LED)	SLIDEOUT SWITCH (LEFT FRONT SLIDE)
GGF 16 YEL	CONTROL MODULE (LEFT FRONT SLIDE) (RED LED)	SLIDEOUT SWITCH (LEFT FRONT SLIDE)
GGG 16 YEL	CONTROL MODULE (LEFT FRONT SLIDE) (SIGNAL)	LEFT FRONT SLIDE, FRONT RAM (ENCODER)
GGH 16 YEL	CONTROL MODULE (LEFT FRONT SLIDE) (+)	LEFT FRONT SLIDE, FRONT RAM (ENCODER)
GGJ 16 WHT	CONTROL MODULE (LEFT FRONT SLIDE) (-)	LEFT FRONT SLIDE, FRONT RAM (ENCODER)
GGK 16 YEL	CONTROL MODULE (LEFT FRONT SLIDE) (SIGNAL)	LEFT FRONT SLIDE, REAR RAM (ENCODER)
GGL 16 YEL	CONTROL MODULE (LEFT FRONT SLIDE) (+)	LEFT FRONT SLIDE, REAR RAM (ENCODER)
GGM 16 WHT	CONTROL MODULE (LEFT FRONT SLIDE) (-)	LEFT FRONT SLIDE, REAR RAM (ENCODER)
GGN 12 YEL	CONTROL MODULE (RAM #2)	SLIDEOUT ACTUATOR DRIVE LEAD #1
GGP 12 YEL	CONTROL MODULE (RAM #2)	SLIDEOUT ACTUATOR DRIVE LEAD #2

WIRE IDENTIFICATION CHART		
CODE/COLOR	FROM:	TO:
GGR 16 YEL	FRONT ROOF HEAT PUMP	THERMOSTAT (W TERMINAL)
GGS 16 YEL	REAR ROOF HEAT PUMP	THERMOSTAT (W TERMINAL)
GGT 12 YEL	SOFA RECLINER SWITCH EXTEND	SOFA RECLINER MOTOR SOFA 4-WAY
GGU 12 YEL	SOFA RECLINER SWITCH RETRACT	SOFA RECLINER MOTOR SOFA 4-WAY
GGV 14 WHT	GPS (BLACK WIRE)	GROUND
GGW 16 YEL	GPS (GREEN/WHITE WIRE)	VEHICLE SPEED SENSOR (CHASSIS SUPPLIED)
GGX 14 YEL	10 OHM RESISTOR *	BEDROOM CEILING FAN (LOW SPEED)
GGY 14 YEL	BATHROOM VENT SWITCH	BATHROOM VENT
GGZ 14 YEL	BEDROOM VENT SWITCH	BEDROOM VENT
HHA 14 YEL	OVERCURRENT PROTECTION (15A FUSE/BREAKER TYPICAL)	COACH VENTS/LAMPS (REF HHB)
HHB 14 WHT	COACH VENTS/LAMPS (REF HHA)	GROUND
HHC 12 YEL	STEP COVER SWITCH	STEP COVER MOTOR (+) RETRACT, (-) EXTEND
HHD 12 YEL	STEP COVER SWITCH	STEP COVER MOTOR (-) EXTEND, (+) RETRACT
HHE 16 YEL	SLIDEOUT ROOM SWITCH (ROOM THREE EXTEND)	HWH WIRING (ROOM THREE EXTEND)
HHF 16 YEL	SLIDEOUT ROOM SWITCH (ROOM THREE RETRACT)	HWH WIRING (ROOM THREE RETRACT)
HHG 16 YEL	SLIDEOUT ROOM SWITCH (ROOM FOUR EXTEND)	HWH WIRING (ROOM FOUR EXTEND)
HHH 16 YEL	SLIDEOUT ROOM SWITCH (ROOM FOUR RETRACT)	SLIDEOUT ROOM SWITCH (ROOM FOUR RETRACT)
HHJ 14 YEL	110V WATER HEATER TRIGGER SWITCH	WATER HEATER RELAY
HHK 14 YEL	DRIVER'S POWER SUNVISOR SWITCH	DRIVER'S POWER SUNVISOR

WIRE IDENTIFICATION CHART		
CODE/COLOR	FROM:	TO:
HHL 14 YEL	DRIVER'S POWER SUNVISOR SWITCH	DRIVER'S POWER SUNVISOR
HHM 14 YEL	PASS POWER SUNVISOR SWITCH	PASS POWER SUNVISOR
HHN 14 YEL	PASS POWER SUNVISOR SWITCH	PASS POWER SUNVISOR
HHP 14 YEL	HOT WATER HEAT CONTROL BOARD (F1)	ZONE 1 FAN SPEED SWITCH
HHR 14 YEL	ZONE 1 FAN SPEED SWITCH	ZONE 1 HEATER FAN
HHS 16 YEL	HOT WATER HEAT CONTROL BOARD (TC)	ZONE 2 & 3 THERMOSTAT
HHT 16 YEL	HOT WATER HEAT CONTROL BOARD (T2)	ZONE 2 THERMOSTAT
HHU 14 YEL	HOT WATER HEAT CONTROL BOARD (F2)	ZONE 2 FAN SPEED SWITCH
HHV 14 YEL	ZONE 2 FAN SPEED SWITCH	ZONE 2 HEATER FAN
HHW 16 YEL	HOT WATER HEAT CONTROL BOARD (T3)	ZONE 3 THERMOSTAT
HHX 14 YEL	HOT WATER HEAT CONTROL BOARD (F3)	ZONE 3 HEATER FAN
HHY 16 WHT	AWNING CONTROL BOX	WIND SENSOR (NEGATIVE)
HHZ 16 YEL	AWNING CONTROL BOX	WIND SENSOR (POSITIVE)
JJA 16 YEL	AWNING CONTROL BOX	WIND SENSOR TEMPERATURE OUTPUT
JJB 16 YEL	AWNING CONTROL BOX	WIND SENSOR SPEED OUTPUT
JJC 14 YEL	ENGINE HEATER CIRCULATING PUMP SWITCH	HOT WATER HEAT CONTROL PANEL (BLU/BLK WIRE)
JJD 10 YEL	OVERCURRENT PROTECTION (25 FUSE TYPICAL)	HOT WATER HEAT CONTROL BOARD
JJE 10 WHT	HOT WATER HEAT CONTROL BOARD	GROUND
JJF 14 YEL	SATELLITE POWER SWITCH	SATELLITE-AUTO SEEK

WIRE IDENTIFICATION CHART		
CODE/COLOR	FROM:	TO:
JJG 12 YEL	OVERCURRENT PROTECTION (20 AMP BREAKER TYPICAL)	SLIDEOUT ROOM CONTROL SWITCH (RAM #3)
JJH 12 WHT	SLIDEOUT ROOM CONTROL SWITCH (RAM #3)	GROUND
JJJ 12 YEL	SLIDEOUT ROOM CONTROL SWITCH (RAM #3)	SLIDEOUT DRIVE MOTOR LEAD #1
JJK 12 YEL	SLIDEOUT ROOM CONTROL SWITCH (RAM #3)	SLIDEOUT DRIVE MOTOR LEAD #2
JJL 12 YEL	OVERCURRENT PROTECTION (20 AMP BREAKER TYPICAL)	SLIDEOUT ROOM CONTROL SWITCH (RAM #2)
JJM 16 YEL	HWH WIRING (SWITCHED BATTERY POWER)	SLIDEOUT ROOM SWITCH #2 (SWITCHED EXTEND/RETRACT PWR)
JJN 16 YEL	HWH WIRING (SWITCHED BATTERY POWER)	SLIDEOUT ROOM SWITCH #3 (SWITCHED EXTEND/RETRACT PWR)
JJP 16 YEL	HWH WIRING (SWITCHED BATTERY POWER)	SLIDEOUT ROOM SWITCH #4 (SWITCHED EXTEND/RETRACT PWR)
JJR 16 YEL	REMOTE SWITCH (EXTEND)	PATIO AWNING CONTROL MODULE (RELAY POSITION 87A, EXTEND)
JJS 12 YEL	REMOTE SWITCH	DOOR AWNING CONTROL RELAY (RELAY POSITION 87A, EXTEND)
JJT 14 YEL	OVERCURRENT PROTECTION (15A FUSE/BREAKER TYPICAL)	COACH 12V RECEPTACLES (REF JJU)
JJU 14 WHT	COACH 12V RECEPTACLES (REF JJT)	GROUND
JJV 14 YEL	MONITOR PANEL LAMP SWITCH	MONITOR PANEL LAMP
JJW 14 YEL	RUN ONLY POWER BREAKER	RUN ONLY POWER RELAY
JJX 14 YEL	RUN ONLY POWER RELAY	GENERAL PURPOSE (RUN ONLY FEED)
JJY 14 YEL	RUN/ACC POWER #1 BREAKER	RUN/ACC POWER #1 RELAY
JJZ 14 YEL	RUN/ACC POWER #1 RELAY (REF LLD)	GENERAL PURPOSE (RUN/ACC FEED #1)
KKA 14 YEL	RUN/ACC POWER #2 BREAKER	RUN/ACC POWER #2 RELAY
KKB 14 YEL	RUN/ACC POWER #2 RELAY (REF LLE)	GENERAL PURPOSE (RUN/ACC FEED #2)

WIRE IDENTIFICATION CHART		
CODE/COLOR	FROM:	TO:
KKC 12 YEL	POWER SEAT RELAY	POWER SEAT (HEATER)
KKD 16 YEL	CONFORMATION EMERGENCY SHUT'OFF SWITCH (IN COACH)	EMERGENCY SHUT'OFF SWITCH (ON REMOTE FILL BRACKET)
KKE 16 YEL	EMERGENCY SHUT'OFF SWITCH (ON REMOTE FILL BRACKET)	EMERGENCY SHUT'OFF SOLENOID (ON LP TANK)
KKF 6 BLK	BATTERY DISCONNECT RELAY	COACH BUSS BAR
KKG 8 BLK	BATTERY MODE SOLENOID	CHASSIS BUSS BAR
KKH 14 YEL	EXTERIOR SERVICE LAMP SWITCH #1	EXTERIOR SERVICE LAMP SWITCH #2
KKJ 14 YEL	EXTERIOR SERVICE LAMP SWITCH #1	EXTERIOR SERVICE LAMP SWITCH #2
KKK 16 YEL	HWH WIRING (SWITCHED BATTERY POWER)	SLIDEOUT ROOM #2 SWITCH (POSITIVE)
KKL 16 YEL	HWH WIRING (SWITCHED BATTERY POWER)	SLIDEOUT ROOM #3 SWITCH (POSITIVE)
KKM 16 YEL	HWH WIRING (SWITCHED BATTERY POWER)	SLIDEOUT ROOM #4 SWITCH (POSITIVE)
KKN 14 YEL	KEYLESS ENTRY PORCH LIGHT OUTPUT	PORCH/STEP/MAP LAMP
KKP 14 YEL	LOUNGE CEILING ROPE LAMP SWITCH	LOUNGE CEILING ROPE LAMP
KKR 14 YEL	BEDROOM CEILING ROPE LAMP SWITCH	BEDROOM CEILING ROPE LAMP
KKS 14 YEL	BEDROOM VALANCE LAMP SWITCH	BEDROOM VALANCE LAMP
KKT 14 YEL	BEDROOM "MOOD" LAMP SWITCH	BEDROOM "MOOD" LAMP
KKU 16 YEL	REAR TV SPEAKER OUTPUT (RIGHT POSITIVE)	RIGHT SPEAKER (POSITIVE)
KKV 16 WHT	REAR TV SPEAKER OUTPUT (RIGHT NEGATIVE)	RIGHT SPEAKER (NEGATIVE)
KKW 16 YEL	REAR TV SPEAKER OUTPUT (LEFT POSITIVE)	LEFT SPEAKER (POSITIVE)
KKX 16 WHT	REAR TV SPEAKER OUTPUT (LEFT NEGATIVE)	LEFT SPEAKER (NEGATIVE)

WIRE IDENTIFICATION CHART		
CODE/COLOR	FROM:	TO:
KKY 14 YEL	OVERCURRENT PROTECTION (15A FUSE/BREAKER TYPICAL)	COACH LIGHTING, ETC CIRCUIT #8 (REF KKZ)
KKZ 14 WHT	COACH LIGHTING (REF KKY)	GROUND
LLA 14 YEL	OVERCURRENT PROTECTION (15A FUSE/BREAKER TYPICAL)	COACH LIGHTING, ETC CIRCUIT #9 (REF LLB)
LLB 14 WHT	COACH LIGHTING (REF LLA)	GROUND
LLC 14 YEL	SEAT HEATER BREAKER (15 AMP BREAKER TYPICAL)	SEAT HEATER RELAY POSITION 30
LLD 14 WHT	RUN/ACC FEED #1 (REF JJZ)	GROUND
LLE 14 WHT	RUN/ACC FEED #2 (REF KKB)	GROUND
LLF 14 YEL	DOME LAMP RELAY	DOME LAMP
LLG 12 YEL	CHASSIS SUPPLIED TRAILER BRAKE CIRCUIT	TRAILER CONNECTOR (TRAILER BRAKE)
LLH 14 WHT	RUN ONLY GROUND SOURCE (CHASSIS SUPPLIED)	AUX START RELAY
LLJ 14 YEL	AUX START RELAY (RUN ONLY POWER)	AUX START SWITCH
LLK 10 YEL	CHASSIS BREAKER PANEL (LH FRT SLIDE) (FRT RAM)	CONTROL MODULE (LH FRT SLIDE)
LLL 10 WHT	CHASSIS GROUND BAR (LH FRT SLIDE) (FRT RAM)	CONTROL MODULE (LH FRT SLIDE)
LLM 10 YEL	CHASSIS BREAKER PANEL (LH FRT SLIDE) (REAR RAM)	CONTROL MODULE (LH FRT SLIDE)
LLN 10 WHT	CHASSIS GROUND BAR (LH FRT SLIDE) (REAR RAM)	CONTROL MODULE (LH FRT SLIDE)
LLP 10 YEL	CHASSIS BREAKER PANEL (REAR SLIDE RAM)	CONTROL MODULE (REAR SLIDE)
LLR 10 WHT	CHASSIS GROUND BAR (REAR SLIDE RAM)	CONTROL MODULE (REAR SLIDE)
LLS 10 YEL	CONTROL MODULE (LEFT FRONT SLIDE)	LT FRT SLIDE FRT RAM (MOTOR DRIVE LINE)
LLT 10 YEL	CONTROL MODULE (LEFT FRONT SLIDE)	LT FRT SLIDE FRT RAM (MOTOR DRIVE LINE)

WIRE IDENTIFICATION CHART		
CODE/COLOR	FROM:	TO:
LLU 10 YEL	CONTROL MODULE (LEFT FRONT SLIDE)	LT FRT SLIDE RR RAM (MOTOR DRIVE LINE)
LLV 10 YEL	CONTROL MODULE (REAR SLIDE)	REAR SLIDEOUT RAM (MOTOR DRIVE LINE)
LLW 10 YEL	CONTROL MODULE (LEFT FRONT SLIDE)	LT FRT SLIDE RR RAM (MOTOR DRIVE LINE)
LLX 10 YEL	CONTROL MODULE (REAR SLIDE)	REAR SLIDEOUT RAM (MOTOR DRIVE LINE)
LLY 16 WHT	CONTROL MODULE (REAR SLIDE) (GROUND)	SLIDEOUT SWITCH (REAR SLIDEOUT)
LLZ 16 YEL	CONTROL MODULE (REAR SLIDE) (RETRACT)	SLIDEOUT SWITCH (REAR SLIDEOUT)
MMA 16 YEL	CONTROL MODULE (REAR SLIDE) (STOP)	SLIDEOUT SWITCH (REAR SLIDEOUT)
MMB 16 YEL	CONTROL MODULE (REAR SLIDE) (GREEN LED)	SLIDEOUT SWITCH (REAR SLIDEOUT)
MMC 16 YEL	CONTROL MODULE (REAR SLIDE) (EXTEND)	SLIDEOUT SWITCH (REAR SLIDEOUT)
MMD 16 YEL	CONTROL MODULE (REAR SLIDE) (RED LED)	SLIDEOUT SWITCH (REAR SLIDEOUT)
MME 10 YEL	CHASSIS SIDE OF SOLENOID (FRT LT/REAR SLIDE RAMS)	BREAKER PANEL BUSS BAR (FRT LT/REAR SLIDE RAMS)
MMF 10 YEL	CHASSIS SIDE OF SOLENOID (FRT RT SLIDE RAMS)	BREAKER PANEL BUSS BAR (FRT RT SLIDE RAMS)
MMG 10 YEL	CHASSIS SIDE OF SOLENOID (REAR SLIDE RAM)	BREAKER PANEL (REAR SLIDE RAM)
MMH 16 YEL	OVERCURRENT PROTECTION (6 AMP BREAKER TYPICAL)	POWER SUNVISOR SWITCH
MMJ 16 WHT	GROUND	POWER SUNVISOR SWITCH
MMK 16 YEL	BEDROOM STEREO (LEFT SPEAKER REF)	CROSS OVER BOX (POSITIVE)
MML 16 WHT	BEDROOM STEREO (LEFT SPEAKER REF)	CROSS OVER BOX (NEGATIVE)
MMM 16 YEL	BEDROOM STEREO (RIGHT SPEAKER REF)	CROSS OVER BOX (POSITIVE)
MMN 16 WHT	BEDROOM STEREO (RT/WOOFER SPKER REF)	CROSS OVER BOX (NEGATIVE)

WIRE IDENTIFICATION CHART		
CODE/COLOR	FROM:	TO:
MMP 16 YEL	CROSS OVER COIL (POSITIVE)	SUBWOOFER (BEDROOM)
MMR 14 YEL	CHASSIS TOW MARKER LAMPS CIRCUIT	TRAILER CONNECTOR (TAIL/MARKER LAMPS)
MMS 12 YEL	+12V	PASSENGER AC/HEATER CONTROLS
MMT 12 YEL	PASSENGER FAN SWITCH (LOW SPEED)	PASSENGER FAN
MMU 12 YEL	PASSENGER FAN SWITCH (MED SPEED)	PASSENGER FAN
MMV 12 YEL	PASSENGER FAN SWITCH (HIGH SPEED)	PASSENGER FAN
MMW 16 YEL	+12V	PASSENGER CONTROL PANEL LAMPS
MMX 16 WHT	PASSENGER CONTROL PANEL LAMPS	GROUND
MMY 16 WHT	PASSENGER TEMP AND VENT CONTROL	GROUND
MMZ 12 YEL	SLIDEOUT ROOM CONTROL SWITCH (RAM #1)	SLIDEOUT DRIVE MOTOR LEAD #1
NNA 12 YEL	SLIDEOUT ROOM CONTROL SWITCH (RAM #1)	SLIDEOUT DRIVE MOTOR LEAD #2
NNB 16 YEL	CONTROL MODULE (FRONT SLIDE) (SIGNAL)	FRONT SLIDE FRONT RAM (ENCODER)
NNC 16 YEL	CONTROL MODULE (FRONT SLIDE) (+)	FRONT SLIDE FRONT RAM (ENCODER)
NND 16 WHT	CONTROL MODULE (FRONT SLIDE) (-)	FRONT SLIDE FRONT RAM (ENCODER)
NNE 16 YEL	CONTROL MODULE (FRONT SLIDE) (SIGNAL)	FRONT SLIDE REAR RAM (ENCODER)
NNF 16 YEL	CONTROL MODULE (FRONT SLIDE) (+)	FRONT SLIDE REAR RAM (ENCODER)
NNG 16 WHT	CONTROL MODULE (FRONT SLIDE) (-)	FRONT SLIDE REAR RAM (ENCODER)
NNH 12 YEL	CONTROL MODULE (RAM #2)	SLIDEOUT ACTURATOR DRIVE LEAD #1
NNJ 12 YEL	CONTROL MODULE (RAM #2)	SLIDEOUT ACTURATOR DRIVE LEAD #2

WIRE IDENTIFICATION CHART		
CODE/COLOR	FROM:	TO:
NNK 16 YEL	KEYLESS ENTRY TOUCH PAD SIGNAL	ENTRANCE DOOR TOUCH PAD
NNL 16 YEL	PASSENGER TEMP CONTROL (CONTROL OUT)	PASSENGER AC/HEATER
NNM 16 YEL	PASSENGER VENT CONTROL (CONTROL OUT)	PASSENGER VENT
NNN 16 YEL	CONTROL MODULE (RIGHT FRONT SLIDE) (STOP)	SLIDEOUT SWITCH (RIGHT FRONT SLIDE)
NNP 16 YEL	CONTROL MODULE (RIGHT FRONT SLIDE) (GREEN LED)	SLIDEOUT SWITCH (RIGHT FRONT SLIDE)
NNR 16 YEL	CONTROL MODULE (RIGHT FRONT SLIDE) (RED LED)	SLIDEOUT SWITCH (RIGHT FRONT SLIDE)
NNS 16 WHT	CONTROL MODULE (RIGHT FRONT SLIDE) (GROUND)	SLIDEOUT SWITCH (RIGHT FRONT SLIDEOUT)
NNT 16 YEL	CONTROL MODULE (RIGHT FRONT SLIDE) (SIGNAL)	RIGHT FRONT SLIDE, FRONT RAM (ENCODER)
NNU 16 YEL	CONTROL MODULE (RIGHT FRONT SLIDE) (+)	RIGHT FRONT SLIDE, FRONT RAM (ENCODER)
NNV 16 WHT	CONTROL MODULE (RIGHT FRONT SLIDE) (-)	RIGHT FRONT SLIDE, FRONT RAM (ENCODER)
NNW 16 YEL	CONTROL MODULE (RIGHT FRONT SLIDE) (SIGNAL)	RIGHT FRONT SLIDE, REAR RAM (ENCODER)
NNX 16 YEL	CONTROL MODULE (RIGHT FRONT SLIDE) (+)	RIGHT FRONT SLIDE, REAR RAM (ENCODER)
NNY 16 WHT	CONTROL MODULE (RIGHT FRONT SLIDE) (-)	RIGHT FRONT SLIDE, REAR RAM (ENCODER)
NNZ 10 YEL	CHASSIS BREAKER PANEL (RH FRT SLIDE) (FRT RAM)	CONTROL MODULE (RIGHT FRONT SLIDE)
PPA 10 WHT	CHASSIS GROUND BAR (RH FRT SLIDE) (FRT RAM)	CONTROL MODULE (RIGHT FRONT SLIDE)
PPB 10 YEL	CHASSIS BREAKER PANEL (RH FRT SLIDE) (REAR RAM)	CONTROL MODULE (RIGHT FRONT SLIDE)
PPC 10 WHT	CHASSIS GROUND BAR (RH FRT SLIDE) (REAR RAM)	CONTROL MODULE (RIGHT FRONT SLIDE)
PPD 10 YEL	CONTROL MODULE (RIGHT FRONT SLIDE)	RH FRT SLIDE FRT RAM (MOTOR DRIVE LINE)
PPE 10 YEL	CONTROL MODULE (RIGHT FRONT SLIDE)	RH FRT SLIDE FRT RAM (MOTOR DRIVE LINE)

WIRE IDENTIFICATION CHART		
CODE/COLOR	FROM:	TO:
PPF 10 YEL	CONTROL MODULE (RIGHT FRONT SLIDE)	RH FRT SLIDE RR RAM (MOTOR DRIVE LINE)
PPG 10 YEL	CONTROL MODULE (RIGHT FRONT SLIDE)	RH FRT SLIDE RR RAM (MOTOR DRIVE LINE)
PPH 14 YEL	CHASSIS CLEARANCE LAMPS CRT #2 (REF MM)	CLEARANCE/MARKER LAMPS
PPJ 14 YEL	PASSENGER SUNVISOR SWITCH DRIVER'S SIDE	PASSENGER SUNVISOR SWITCH PASSENGER'S SIDE
PPK 14 YEL	PASSENGER SUNVISOR SWITCH DRIVER'S SIDE	PASSENGER SUNVISOR SWITCH PASSENGER'S SIDE
PPL 14 YEL	DASH RADIO ACCESSORY POWER	TV/RADIO SPEAKER SELECTOR SWITCH
PPM 14 YEL	OVERCURRENT PROTECTION (15A BREAKER TYPICAL)	LEFT FRONT SLIDEOUT LOCK SWITCH
PPN 14 WHT	LEFT FRONT SLIDEOUT LOCK SWITCH (REF PPM)	GROUND
PPP 14 YEL	OVERCURRENT PROTECTION (15A BREAKER TYPICAL)	RIGHT FRONT SLIDEOUT LOCK SWITCH
PPR 14 WHT	RIGHT FRONT SLIDEOUT LOCK SWITCH (REF PPP)	GROUND
PPS 14 YEL	LEFT FRONT SLIDEOUT LOCK SWITCH	LEFT FRONT SLIDEOUT LOCK MOTOR
PPT 14 YEL	LEFT FRONT SLIDEOUT LOCK SWITCH	LEFT FRONT SLIDEOUT LOCK MOTOR
PPU 14 YEL	RIGHT FRONT SLIDEOUT LOCK SWITCH	RIGHT FRONT SLIDEOUT LOCK MOTOR
PPV 14 YEL	RIGHT FRONT SLIDEOUT LOCK SWITCH	RIGHT FRONT SLIDEOUT LOCK MOTOR
PPW 14 YEL	SLIDEOUT LOCK SWITCH W/SLIDEOUT SWITCH #1 IN DASH	SLIDEOUT ROOM #1 SWITCH (POSITIVE)
PPX 14 YEL	SLIDEOUT LOCK SWITCH W/SLIDEOUT SWITCH #3 IN DASH	SLIDEOUT ROOM #3 SWITCH (POSITIVE)
PPY 14 YEL	SLIDEOUT LOCK SWITCH W/SLIDEOUT SWITCH #4 IN DASH	SLIDEOUT ROOM #4 SWITCH (POSITIVE)
PPZ 12 YEL	CHASSIS SUPPLIED WIRING	TRAILER TOW BATTERY FEED (7 WAY TOW CONNECTOR)
RRA 14 YEL	GENERAL SWITCH	GENERAL LAMP

WIRE IDENTIFICATION CHART		
CODE/COLOR	FROM:	TO:
RRB 14 YEL	GENERAL SWITCH	GENERAL LAMP
RRC 14 YEL	GENERAL SWITCH	GENERAL LAMP
RRD 14 YEL	GALLEY CEILING FAN SWITCH	GALLEY CEILING FAN
RRE 14 YEL	10 OHM RESISTOR	LOUNGE CEILING FAN (LOW SPEED)
RRF 14 YEL	BEDROOM READING LAMP SWITCH	BEDROOM READING LAMP
RRG 14 YEL	BEDROOM READING LAMP SWITCH #1 (2 SWITCH SYSTEM)	BEDROOM READING LAMP SWITCH #2 (2 SWITCH SYSTEM)
RRH 14 YEL	BEDROOM READING LAMP SWITCH #1 (2 SWITCH SYSTEM)	BEDROOM READING LAMP SWITCH #2 (2 SWITCH SYSTEM)
RRJ 12 WHT	SEVEN PIN CONNECTOR (TRAILER CONNECTOR)	GROUND
RRK 16 YEL	GALLEY HOLDING TANK	SELECTOR SWITCH
RRL 16 YEL	HOLDING TANK SELECTOR SWITCH	MONITOR PANEL
RRM 14 YEL	CENTER POWER SUNVISOR SWITCH	CENTER SUNVISOR
RRN 14 YEL	CENTER POWER SUNVISOR SWITCH	CENTER SUNVISOR
RRP 16 YEL	THERMOSTAT (LOW STAGE)	FURNACE (LOW STAGE)
RRR 16 YEL	THERMOSTAT (HIGH STAGE)	FURNACE (HIGH STAGE)
RRS 16 YEL	SLIDEOUT LOCK SWITCH (#1)	SLIDEOUT LOCK SWITCH (#2)
RRT 16 YEL	AWNING CONTROL BOX (LOCATED IN HOUSING PIN 1)	DOOR AWNING LIMIT SWITCH (LOCATED IN HOUSING PIN 1)
RRU 16 WHT	AWNING CONTROL BOX (LOCATED IN HOUSING PIN 2)	DOOR AWNING LIMIT SWITCH (LOCATED IN HOUSING PIN 2)
RRV 14 YEL	VIDEO CAMERA SWITCHER	MONITOR
RRW 14 YEL	LOCKOUT POSITIONING SWITCH	FIREPLACE LOCKOUT RECP

CODE/COLOR	FROM:	WIRE IDENTIFICATION CHART TO:
RRX 10 YEL	12V BREAKER PANEL (30 AMP TYPICAL)	SMART FUSE BLOCK (POSITIVE)
RRY 18 YEL	SMART FUSE BLOCK (COMMUNICATION BUS)	SMART FUSE SWITCH PANEL
RRZ 18 WHT	SMART FUSE BLOCK (COMMUNICATION GROUND)	SMART FUSE SWITCH PANEL
000	CURRENT DRAW LIST	NOTE: LISTS OF CURRENT DRAWS FOR STD TRADE NO. BULBS ARE AVAILABLE
001	12 VOLT COACH LIGHTING SEE LINE 500 FOR 120 VOLT	SEE LINE 300 FOR 12 VOLT AUTO SEE LINE 700 FOR 12V FANS,ETC
002	LAMP (CEILING, COMPT, ETC) 1.44AMPS (#1141 BULB)	PROGRESSIVE DYNAMICS 771 098024-01-CHT
003	LAMP (CEILING, ETC) 2.88AMPS (2 #1141 BULBS)	PROGRESSIVE DYNAMICS 773 098024-03-CHT
004	LAMP (MAKEUP) 3.06AMPS (3 #20-99 BULBS)	PROGRESSIVE DYNAMICS 200-621 110235-01-CHT
005	LAMP (MAKEUP) 4.08AMPS (4 #20-99 BULBS)	PROGRESSIVE DYNAMICS 200-622 110235-02-CHT
006	LAMP (DOME, COMPT, ETC) 0.52AMPS (#1414 BULB)	JENSEN 1236 086280-01-000
007	LAMP (WARDROBE) 0.97AMPS (#561 BULB)	PROGRESSIVE DYNAMICS 210-111 087694-01,02-000
008	LAMP (OVER DINETTE) 1.00/1.40AMPS (#912/921 BULB)	GUSTAFSON 548PB-3L CHANDELIER 093575-08-CHT
009	LAMP (WALL) 3.60AMPS (2 #1076 BULBS)	GUSTAFSON 2-BULB W/SHADE 087140-01 THRU 07,10-CHT
010	LAMP (WALL) 1.00/1.40AMPS (#912/921 BULB)	GUSTAFSON SCONCE 087140-08-CHT
011	LAMP (WALL) 1.00/1.40AMPS (#912/921 BULB)	GUSTAFSON SWIVEL 087140-11,12-CHT
012	LAMP (DINETTE OVHD) 2.88AMPS (2 #1141 BULBS)	GUSTAFSON 514F RECTANGULAR 093575-06-CHT
013	LAMP (OVHD, CEILING) 0.94AMPS (#1003 BULB)	INTERTEK Y-605-20 083167-04-CHT
014	LAMP (READING) 15CP BULB	A.W. ASPLUND 81-905 104173-01-CHT
015	LAMP (READING) 1.44AMPS (#1141 BULB)	R.T. SALES 787 (CANADIAN) 104172-01-CHT

CODE/COLOR	FROM:	WIRE IDENTIFICATION CHART TO:
016	RANGE HOOD LAMP 1.00AMP (#912 BULB)	
017	LAMP (CEILING FLUORESCENT) 2.34AMPS (2 #F15T8-CW)	THINLITE 736 091936-01-CHT
018	LAMP (OVHD FLUORESCENT) 1.25AMPS (2 #F8T5-CW)	THINLITE 732 091936-02-CHT
019	LAMP (PORCH, ETC) 0.94/1.04AMPS (#1003/93 BULB)	BARGMAN 30-78-5XX 097917-01-CHT
020	LAMP (FLUORESCENT) 0.8AMPS	GUEST 83GC-35-B 111217-01-CHT
021	LAMP (WALL) 3.60AMPS (2 #1076 BULBS)	GUSTAFSON 53-507XB7YZ 119258-01-CHT
022	LAMP (DINETTE OVHD) 3.60AMPS (2 #1076 BULBS)	GUSTAFSON 56-550XZ 093575-09-CHT
023	LAMP (COURTESY) .1 AMPS	INTERTEK Y-191-02 061424-01-000
024	LAMP (DINETTE OVHD) 3-BULB	GUSTAFSON 55-548XZ 093575-10-CHT
025	LAMP-HALOGEN, ROUND WITH 10 WATT BULB (.83 AMP)	GUSTAFSON 99-9112YZ 123775-01-CHT
026	LAMP-HALOGEN, COLLAR BRASS	GUSTAFSON 99-31030G0 123775-02-CHT
027	LAMP (MAKEUP W/MIRROR) 4 BULB (4.32 AMP)	GUSTAFSON 58-524XZ 123774-01-CHT
028	BULB (MAKEUP, WHITE) 12 VOLT 13 WATT 1.08 AMP	GUSTAFSON 71-9019F 123918-01-000
029	LAMP-READING, SWIVEL 12 VOLT W/SWITCH BRASS	GUSTAFSON 99-7481XY 123916-01-CHT
030	BULB (READING) 12 VOLT 15 WATT 1.25 AMP	GUSTAFSON 71-1383 123917-01-000
031	LAMP-FLUORESCENT 12 V .7 AMP (F8T5/CW)	THINLITE 141 UL/CSA 113371-01-CHT
032	LAMP-FLUORESCENT 12 V 1.25 AMP (F15T8/CW)	THINLITE 143 UL/CSA 113371-02-CHT
033	LAMP-FLUORESCENT 12V 2.5 AMP (F30T8/CW)	THINLITE 147 UL/CSA 113371-03-CHT
034	LAMP (COURTESY, ROUND) BULB, PHILIPS 12842, .1 AMP	ITC MARINE 81395-B 108354-01-CHT

CODE/COLOR	FROM:	WIRE IDENTIFICATION CHART TO:
035	LAMP-READING W/SWITCH 12V,20 WATT BULB, 1.7 AMP	MODEL PY-523 132427-01-CHT
036	DETECTOR-LP GAS .04 AMPS	MODEL 7770.274 103613-03-000
037	EXTERIOR RADIO 1.2 AMPS NORMAL VOLUME	SINGLE DEN RADIO 2.9 AMPS FULL VOLUME
038	BEDROOM RADIO .9 AMPS NORMAL VOLUME	AUDIOVOX AWM 930 (133307-02) 3.5 AMPS FULL VOLUME
039 X	X X	X X
040 X	X X	X X
16 YEL	AUX HEAT, A/C UNIT	THERMOSTAT
300	12 VOLT AUTOMOTIVE SEE 500 FOR 120 VOLT	SEE 000 FOR 12V COACH LIGHTING SEE 700 FOR 12V FANS,ETC
301	TYPICAL TAILLAMP CURRENT DRAW: 1156,1157,3156, OR 3157 BULBS	STOP=2.10AMPS,BACKUP=2.10AMPS, MARKER=0.59AMPS,TURN=2.10AMPS
302	TYPICAL CLEARANCE/SIDEMARKER: 194 OR 1895 BULB	0.27AMPS FRT TURN: 2.10AMPS(#1156 BULB)
303	DOCKING LAMP 2.10AMPS(#1156 BULB)	TRIPLEX 147W 106688-04-000
304	DOCKING LAMP 2.73AMPS(#4411 SEALED BEAM)	K-D LAMP 895-2353 105901-01-000
305	HEADLAMP(LOW/HIGH BEAM, RT<) 3.13/4.69AMP(#4652SEALED BEAM)	GM16508079,16508080,5973929 049185,049186-01-000
306	HEADLAMP(HIGH BEAM) 3.91AMPS(#4651 SEALED BEAM)	GM16508077,16508078,5966079 049187,049188-01-000
307	HEADLAMP(LOW/HIGH BEAM, RT<) 4.30/5.08AMP(#6052SEALED BEAM)	GM 5968097 070907-01-000
308	FOG LAMP 4.30AMPS	BOSCH 9 307 230 020 088747-01-000
309	FOG LAMP 3.91AMPS(#9420 SEALED BEAM)	PER LUX 550-SERIES 088747-03-000
310	INSTRUMENT PANEL LAMP 0.12AMPS(#74 BULB)	103603-01-000 BULB
311	LICENSE PLATE LAMP 0.35AMPS(#168 BULB)	BARGMAN 30-60-001,30-60-102 066432-01,02-000

CODE/COLOR	FROM:	WIRE IDENTIFICATION CHART TO:
312	VACUUM PUMP 0.65AMPS,13.5VOLTS	EVANS RV212471 114802-01-000
313	X	X
314	X	X
315	X	X
316	X	X
317	X	X
318	X	X
319	X	X
320	X	X
500	120 VOLT COMPONENTS SEE 300 FOR 12 VOLT AUTO	SEE 000 FOR 12V COACH LIGHTING SEE 700 FOR 12V FANS,ETC
501	COFFEE MAKER(NOT CARAFE STYLE) 8.3AMPS,1000WATTS(NAME PLATE)	BLACK&DECKER SDCID (SDC-2A?) 092306-01-000&103799-01-CHT
502	VCR 0.15AMPS,17WATTS(NAME PLATE)	MAGNAVOX VR9210,VR9320 098446-06,07-000
503	MICROWAVE 10.2AMPS,1225WATTS(NAME PLATE)	MAGIC CHEF MCD-DM15K-7B 115303-01-000(95,96D,F,C)
504	MICROWAVE-CONVECTION 12.8AMPS (NAME PLATE)	PANASONIC NN-8501V 102479-01-000(91-94P,95M,Q)
505	MICROWAVE 10.0AMPS,1200WATTS(NAMEPLATE)	MAGIC CHEF M16-10PB 091269-03-000
506 SEE 704	REFRIGERATOR(3-WAY) 1.4AMPS @120V, 11.7AMPS @12V	NORCOLD 113737-01-CHT(94,95H)
507 SEE 706	REFRIGERATOR 2.7AMPS,300WATTS(NAME PLATE)	NORCOLD 6162 104138-04,05-CHT(92-95C,F)
508 SEE 707	REFRIGERATOR 2.7AMPS,300WATTS(NAME PLATE)	NORCOLD 6182 104137-06,07,08,09-CHT(93-95G)
509 SEE 708	REFRIGERATOR 2.7AMPS,300WATTS(NAME PLATE)	NORCOLD 682 104137-02,03,04,05-CHT(92-95M)

CODE/COLOR	FROM:	WIRE IDENTIFICATION CHART TO:
510 SEE 709	REFRIGERATOR 1.7AMPS,200WATTS (NAME PLATE)	NORCOLD 6052 102621-04-CHT(93-95D)
511	TELEVISION-13" 1.00AMP (NAME PLATE)	MAGNAVOX 13PRC10 098447-11-000(95,95F,Q)
512	TELEVISION-13"CSA 1.00AMP (NAME PLATE)	MAGNAVOX XR1333 098447-10-000(93M)
513 SEE 710	TELEVISION-9" AC/DC 0.46AMPS,55WATTS (NAME PLATE)	MAGNAVOX RD0945 092310-02,03-000
514	TELEVISION-19" CSA 1.2AMPS (NAME PLATE)	MAGNAVOX XR1933 108096-06-000(94,95M,Q)
515	TELEVISION-19" 0.71AMPS,85WATTS (NAME PLATE)	AUDIOVOX ATV-1975 113684-01-000(94,95C,F)
516	CONVERTER-ELECTRONIC,40AMP 5.5AMPS,660WATTS (NAME PLATE)	MAGNETEK 7240 109171-01-000
517	CONVERTER-ELECTRONIC,55AMP 7.75AMPS,930WATTS (NAME PLATE)	MAGNETEK 7255 108171-02-000
518	WATER HEATER 12.5AMPS,1500WATTS (NAME PLATE)	ATWOOD EHM4-SM 113122-01-000
519	WATER HEATER(EUROPEAN,220VOLT)	ATWOOD EHM4-220 113122-02-000
520	CONVERTER-LINEAR,20AMP 3.5AMPS (NAME PLATE)	MAGNETEK 3220CPX 092615-02-000 VW B-VAN
521	BLENDER (BUILT IN) 5.4AMPS,650WATTS (NAME PLATE)	NUTONE 251 023111-01-000 (OLD M40)
522	HAIR DRYER (WALL MOUNT) 10.0AMPS,1200WATTS (NAMEPLATE)	OSTER 317-06 096696-01-CHT (OLD M40)
523	VACUUM CLEANER (BUILT IN) 7.0AMPS (NAMEPLATE)	HP 19-1 108186-01-000
524	CONVERTER-LINEAR,45 AMP 7.8AMPS (NAME PLATE)	MAGNETEK MODEL 6345 (BW 6345) 083208-02-000
525	CONVERTER-ELECTRONIC,55 AMP 8.13AMPS,975WATTS (NAME PLATE)	MAGNETEK 7455BT 123058-01-000 13.6 VOLT
526	CONVERTER-ELECTRONIC 45AMP 6.46AMPS,775WATTS (NAME PLATE)	MAGNETEK 7445 123058-02-000 13.6 VOLT
527	TELEVISION-19' 1/8JACK UL/CSA AMPS, WATTS (NAME PLATE)	RCA F19207M 124075-03-000
528	DISHWASHER 10. AMP	X 107752-01

CODE/COLOR	FROM:	WIRE IDENTIFICATION CHART TO:
529	WASHER/DRYER CIRCUIT BREAKER 20A US,15A CSA	BENDIX 12.8 AMP MFG RATING 107753-03-CHT
530	X	X
531	X	X
532	X	X
533	X	X
534	X	X
535	X	X
700	12 VOLT COACH EXCEPT LIGHTING SEE 300 FOR 12 VOLT AUTO	SEE 000 FOR 12V COACH LIGHTING SEE 500 FOR 120 VOLT
701	VENT FAN(3-SPEED CEILING) 1.86,2.29,3.00AMPS (LO,MED,HI)	FANTASTIC 088265-01 THRU 11-CHT
702	VENT FAN 1.30AMPS	JENSEN 110051-02 THRU 10-CHT
703	VENT FAN 1.20AMPS	CAPCO 090394-01-XXX
704 SEE 506	REFRIGERATOR(3-WAY) 11.7AMPS @12V, 1.4AMPS @120V	NORCOLD 113737-01-CHT 94,95 RIALTA
705	WATER PUMP 4.0AMPS	SHURFLO 2088-403-144 098607-01-000
706 SEE 507	REFRIGERATOR 1.8AMPS (NAME PLATE)	NORCOLD 6162 104138-04,05-CHT
707 SEE 508	REFRIGERATOR 1.8AMPS (NAME PLATE)	NORCOLD 6182 104137-06,07,08,09-CHT
708 SEE 509	REFRIGERATOR 1.8AMPS (NAME PLATE)	NORCOLD 682 104137-02,03,04,05-CHT
709 SEE 510	REFRIGERATOR 0.5AMPS (NAME PLATE)	NORCOLD 6052 102621-04-CHT
710 SEE 513	TELEVISION-9" AC/DC 3.0AMPS,36WATTS (NAME PLATE)	MAGNAVOX RD0945 092310-02,03-000
711	FURNACE-20000(19000?)BTU 2.8AMPS (NAME PLATE)	SUBURBAN NT-20S 075697-01-000

WIRE IDENTIFICATION CHART		
CODE/COLOR	FROM:	TO:
712	WATER HEATER €1.00AMP (NAME PLATE)	ATWOOD G6A-7E 051391-03-000
713	WATER PUMP 2.1AMPS (NAME PLATE)	SHURFLO 100-000-21 111225-01-000 VW B-VAN
714	FURNACE-12000BTU 2.8AMPS (NAME PLATE)	SUBURBAN NT-12S 075697-05-000 VW B-VAN
715	FURNACE-17000BTU	X 101990-03-000 (95D)
716	TELEVISION-13" AC/DC AMPS, 77WATTS (NAME PLATE)	RCA E13335GY 124074-02-000
717	TELEVISION-13' AC/DC 4.0AMPS, WATTS (NAME PLATE)	AUDIOVOX 086231-08-000
718	FURNACE 25000 BTU 6.5 AMPS (NAME PLATE)	SUBURBAN SF-25 2289 098668-19-000
719	FURNACE 30000 BTU 6.5 AMPS (NAME PLATE)	SUBURBAN SF-30 2290 098668-20-000
720	FURNACE 35000 BTU 9.0 AMPS (NAME PLATE)	SUBURBAN SF-35 2291 098668-21-000
721	FURNACE 40000 BTU 11.5 AMPS (NAME PLATE)	SUBURBAN SF-42 2292 098668-22-000
722	PLAYER-CASSETTE, VIDIO AUDIVX 12V, 12 WATT	ASA AVP-7000 094487-04-000
723	X X	X X
724	X X	X X
725	X X	X X