



DANGER

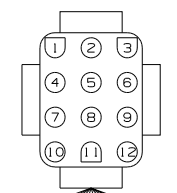
Danger of electrical shock, burns or death. Always remove all power sources before attempting any repair, service or diagnostic work. Power can be present from shore power, generator, inverter or battery. All power sources must be disabled and secured before performing any service.



CAUTION

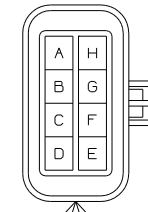
If you lack the skills, tools or equipment to perform diagnostic or repair work leave such work to an authorized Winnebago Industries dealer or other qualified shop.

CONNECTS TO WIRE ASM-LEFT (SHT 3, A-7) (LOCATED BELOW BATH VANITY)



- 1-LP 16 YEL
- 2-LL 16 WHT
- 3-LM 16 WHT
- 4-LN 16 WHT
- 5-JT 16 YEL
- 6-JA 14 YEL
- 7-XP 16 YEL
- 8-XR 16 YEL
- 9-XS 16 YEL
- 10-BBH 16 YEL
- 11-
- 12-

CONNECTS TO GENERATOR 4

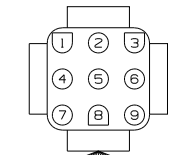


- A-LN 16 WHT
- B-LM 16 WHT
- C-LL 16 WHT
- D-
- E-
- F-LP 16 YEL
- G-
- H-



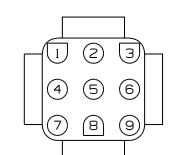
- JT 16 YEL
- MP 16 WHT

CONNECTS TO WIRE ASM-RIGHT (SHT 5, C-8) (LOCATED BELOW REFRIGERATOR)



- 1-EU 16 WHT
- 2-UK 16 WHT
- 3-NC 14 WHT
- 4-JM 14 WHT
- 5-JP 14 WHT
- 6-XP 16 YEL
- 7-XR 16 YEL
- 8-XS 16 YEL
- 9-BBH 16 YEL

CONNECTS TO WIRE ASM-LEFT (SHT 3, D-14) (LOCATED BELOW VANITY)

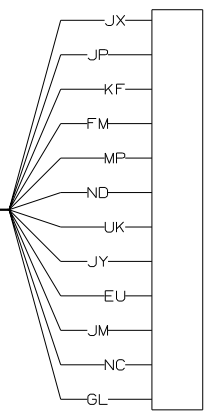
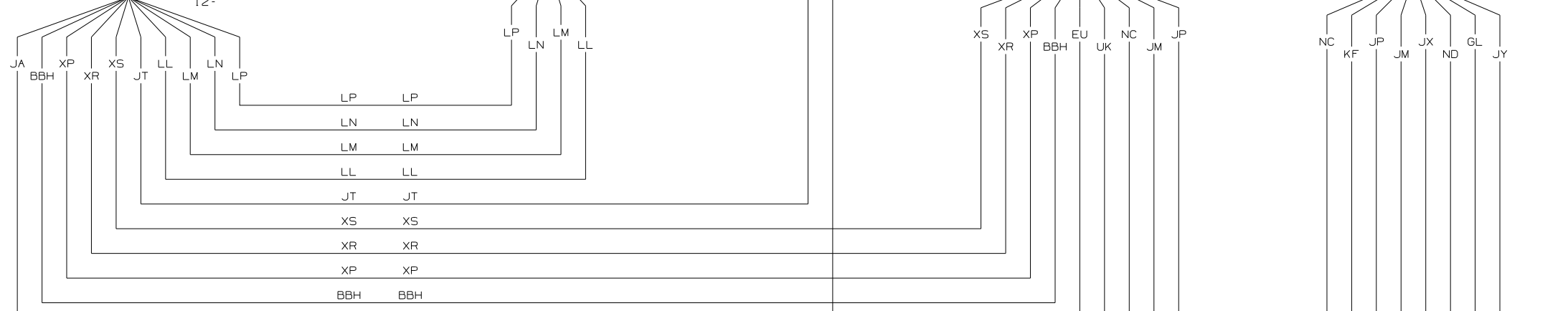


- 1-JY 12 WHT
- 2-GL 16 WHT
- 3-ND 14 WHT
- 4-JX 14 WHT
- 5-
- 6-JM 14 WHT
- 7-JP 14 WHT
- 8-KF 16 WHT
- 9-NC 14 WHT

REAR VIEW MONITOR MALE



FEMALE REAR VIEW CAMERA

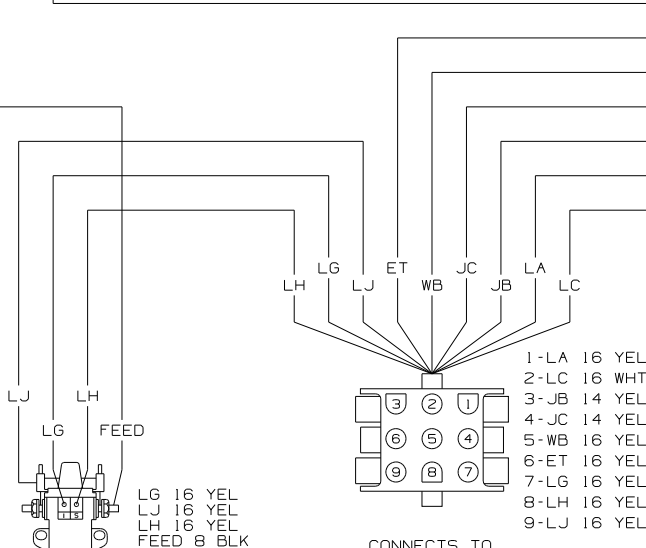


- KF 16 WHT
- FM 14 WHT
- MP 16 WHT
- ND 16 WHT
- UK 16 WHT
- JY 12 WHT
- ND 14 WHT
- JX 14 WHT
- JP 14 WHT
- NC 14 WHT
- GL 16 WHT
- EU 16 WHT
- JM 14 WHT

GROUND 3

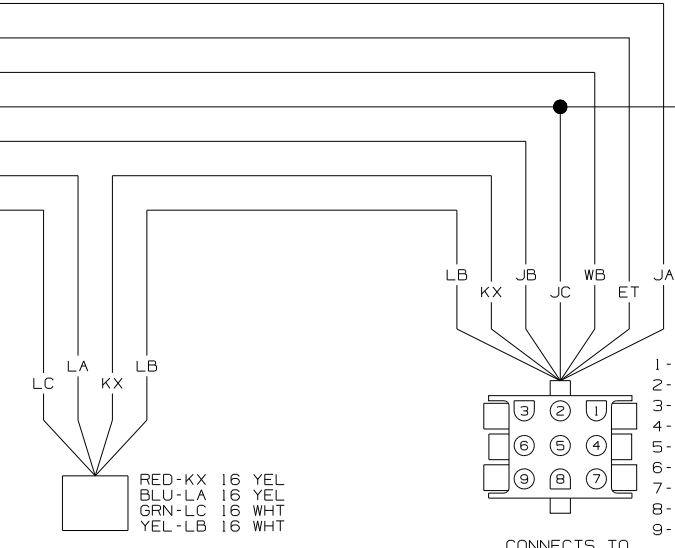
GND

WIRING DIAGRAM-CHASSIS, FORD (WIRE ASM 150940 REV-A)



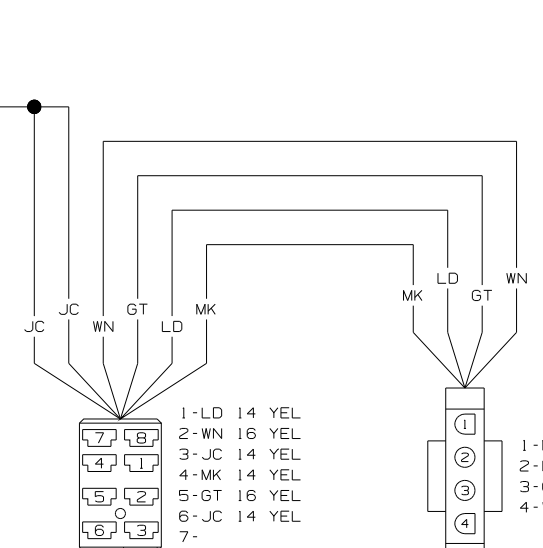
- LG 16 YEL
- LJ 16 YEL
- LH 16 YEL
- FEED 8 BLK

- 1-LA 16 YEL
- 2-LC 16 WHT
- 3-JB 14 YEL
- 4-JC 14 YEL
- 5-WB 16 YEL
- 6-ET 16 YEL
- 7-LG 16 YEL
- 8-LH 16 YEL
- 9-LJ 16 YEL



- RED-KX 16 YEL
- BLU-LA 16 YEL
- GRN-LC 16 WHT
- YEL-LB 16 WHT

- 1-KX 16 YEL
- 2-LB 16 WHT
- 3-JB 14 YEL
- 4-JC 14 YEL
- 5-WB 16 YEL
- 6-ET 16 YEL
- 7-JA 14 YEL
- 8-
- 9-

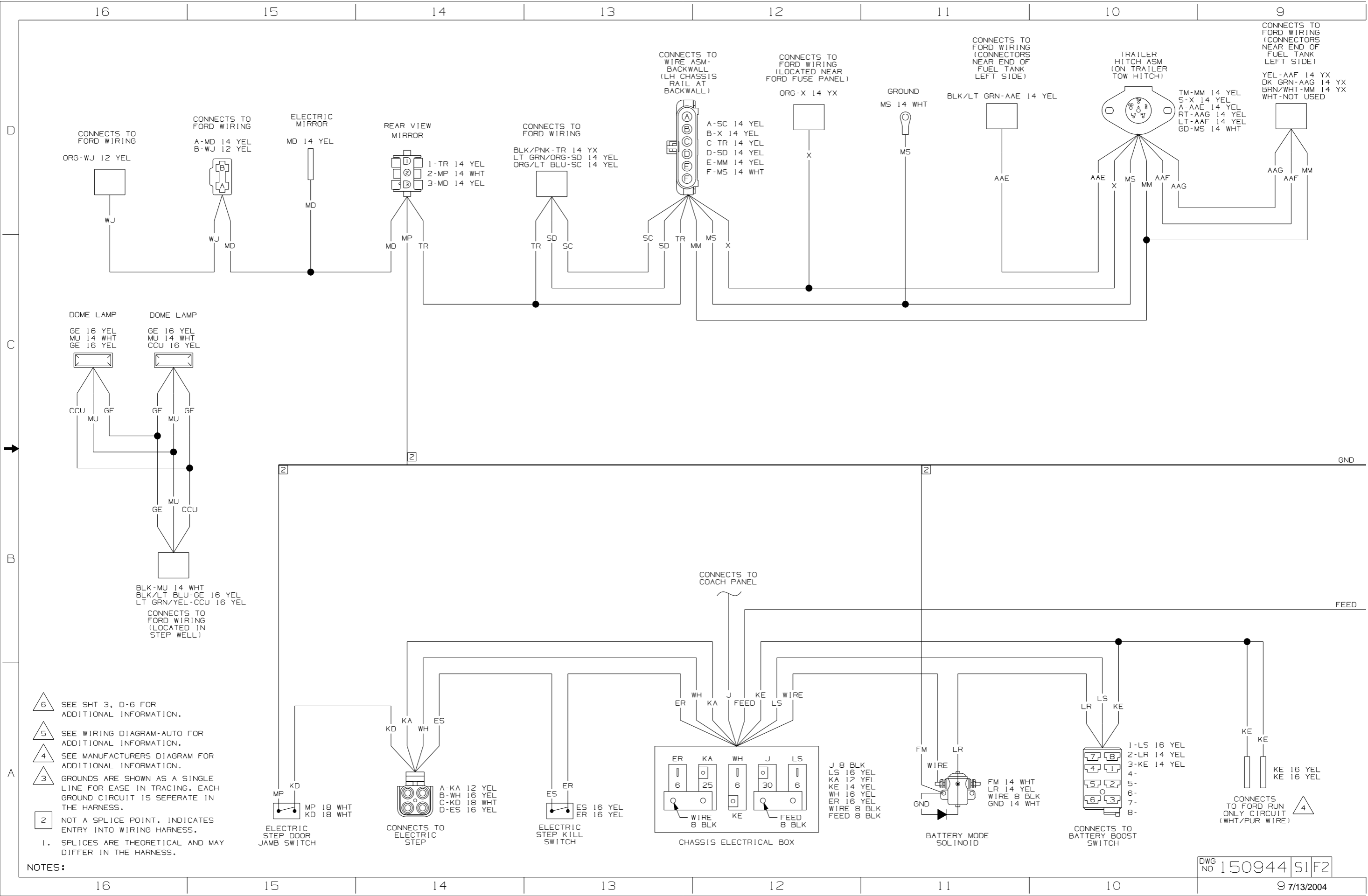


- 1-LD 14 YEL
- 2-WN 16 YEL
- 3-JC 14 YEL
- 4-MK 14 YEL
- 5-GT 16 YEL
- 6-JC 14 YEL
- 7-
- 8-

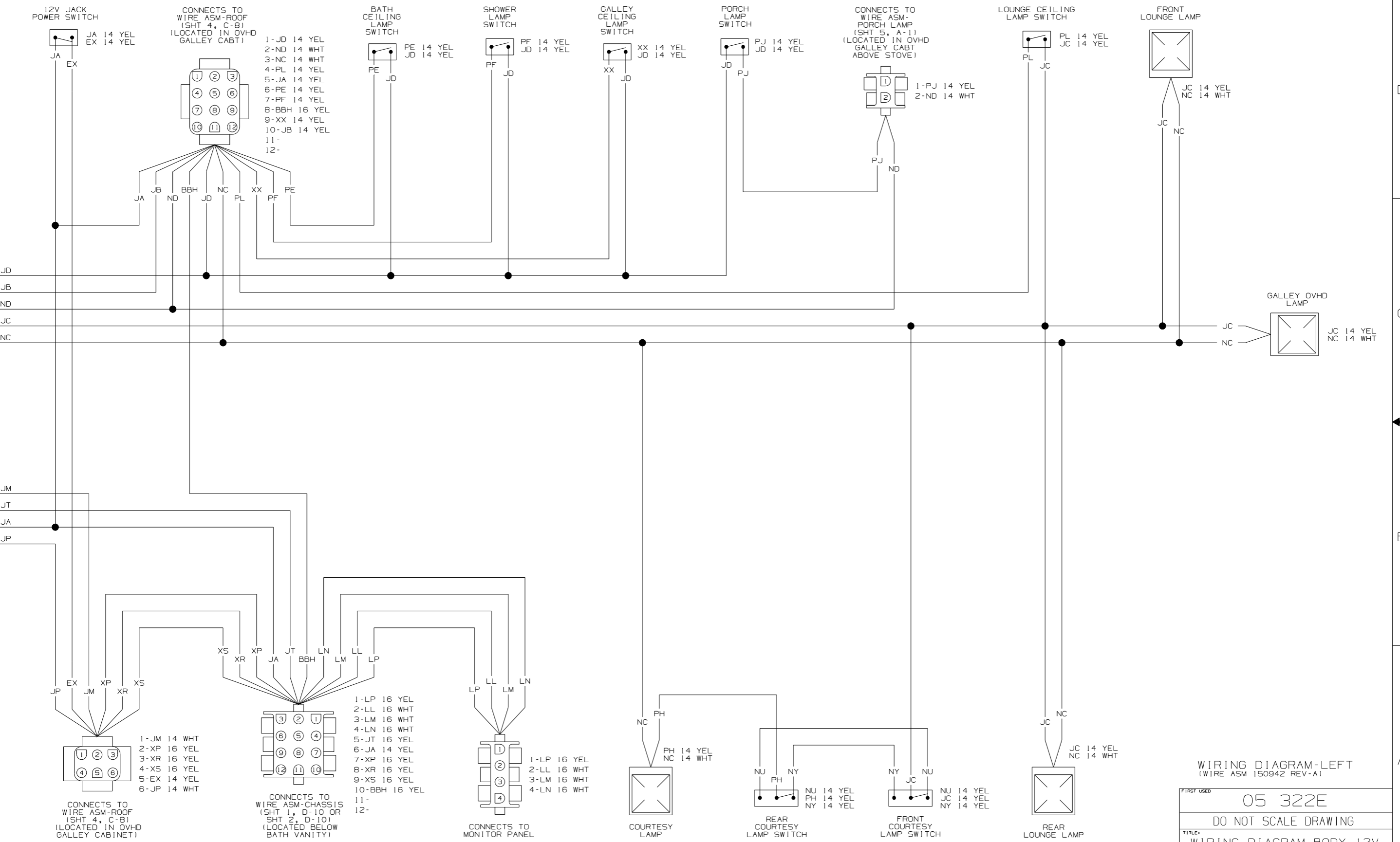
- 1-MK 14 YEL
- 2-LD 14 YEL
- 3-GT 16 YEL
- 4-WN 16 YEL

WINNEBAGO COPYRIGHT 2004 WINNEBAGO INDUSTRIES, INC.

DFTR	ORIG. DATE
CHR	ALL DIMENSIONS ARE IN MILLIMETERS
P.E.	
M.E.	FIRST USED 05 322E
OSNR	
UNSPECIFIED TOLERANCES ARE:	MATERIAL:
HOLE DIM (X)	
ONE-PLACE (X,XI)	
TWO-PLACE (X,XX)	
ANGLE	
THIRD ANGLE PROJECTION	
DO NOT SCALE DRAWING	
TITLE: WIRING DIAGRAM-BODY, 12V	
SHEET 1 of 4	PART NO 150944

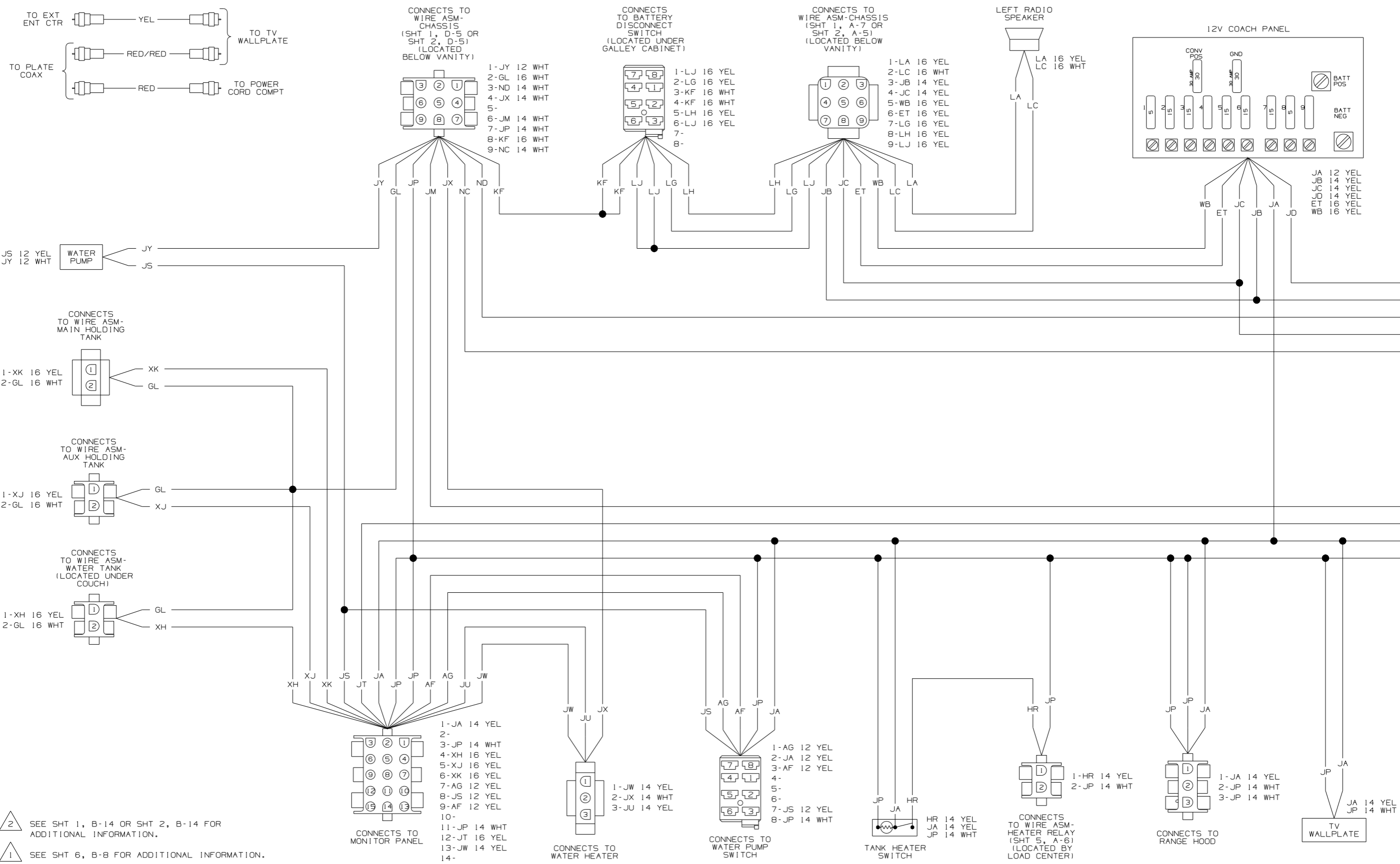


- NOTES:
- 6 SEE SHT 3, D-6 FOR ADDITIONAL INFORMATION.
 - 5 SEE WIRING DIAGRAM-AUTO FOR ADDITIONAL INFORMATION.
 - 4 SEE MANUFACTURERS DIAGRAM FOR ADDITIONAL INFORMATION.
 - 3 GROUNDS ARE SHOWN AS A SINGLE LINE FOR EASE IN TRACING. EACH GROUND CIRCUIT IS SEPERATE IN THE HARNESS.
 - 2 NOT A SPLICE POINT. INDICATES ENTRY INTO WIRING HARNESS.
 - 1. SPLICES ARE THEORETICAL AND MAY DIFFER IN THE HARNESS.



WIRING DIAGRAM-LEFT (WIRE ASM 150942 REV-A)

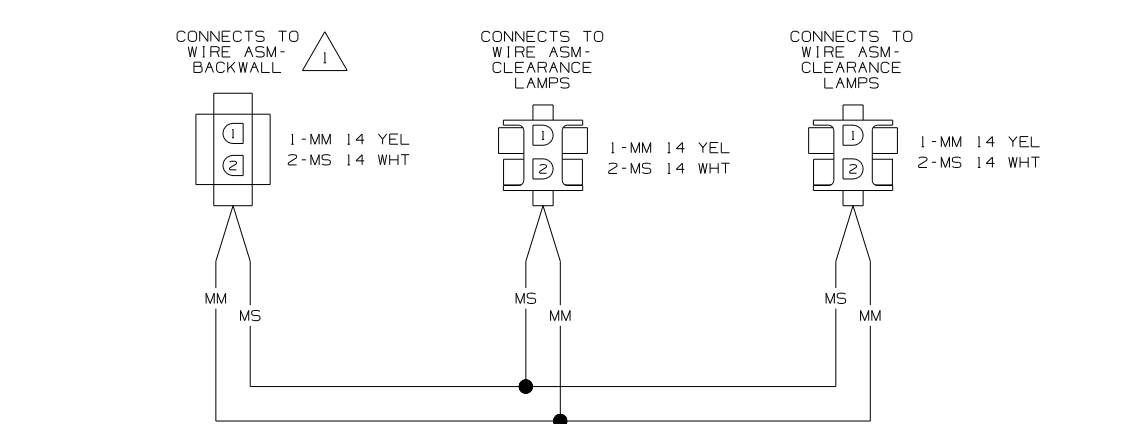
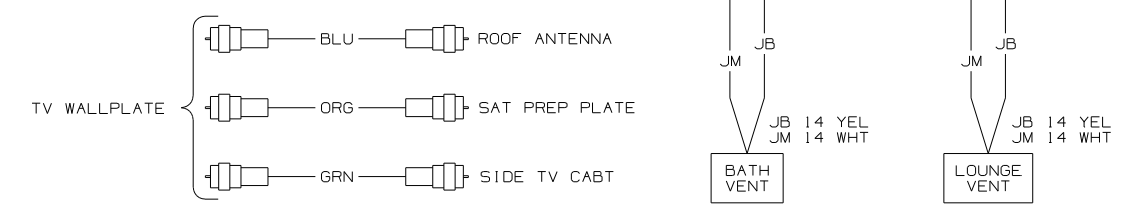
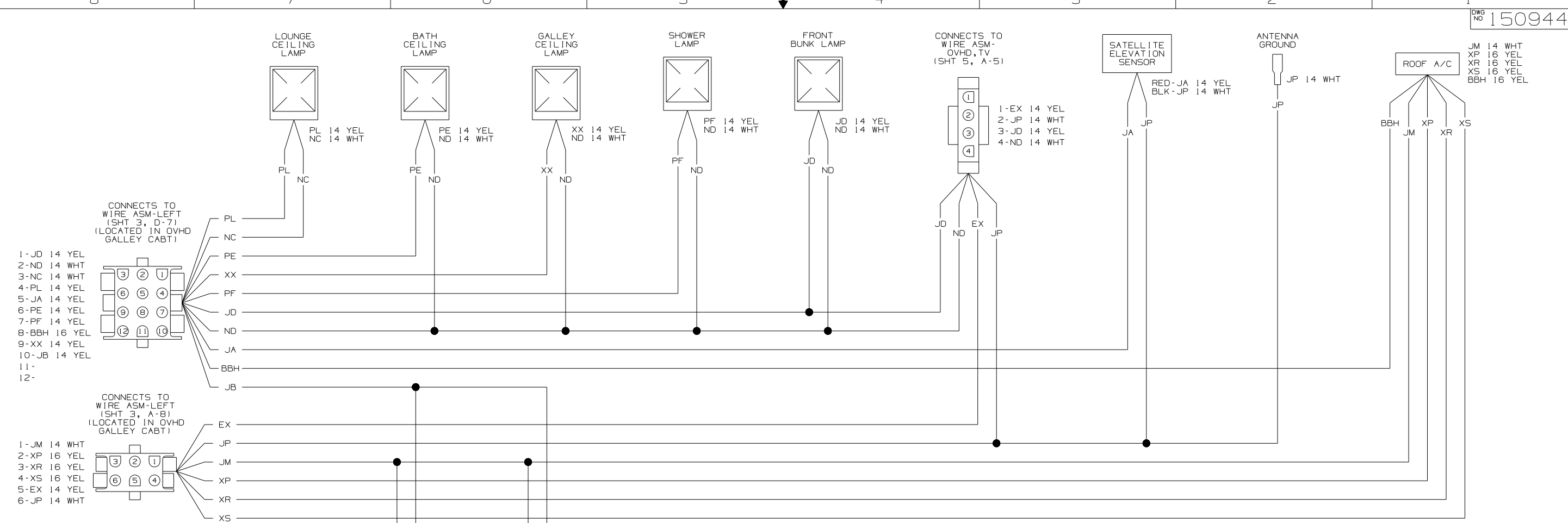
FIRST USED	05 322E	
DO NOT SCALE DRAWING		
TITLE	WIRING DIAGRAM-BODY, 12V	
SHEET 2	PART NO	150944



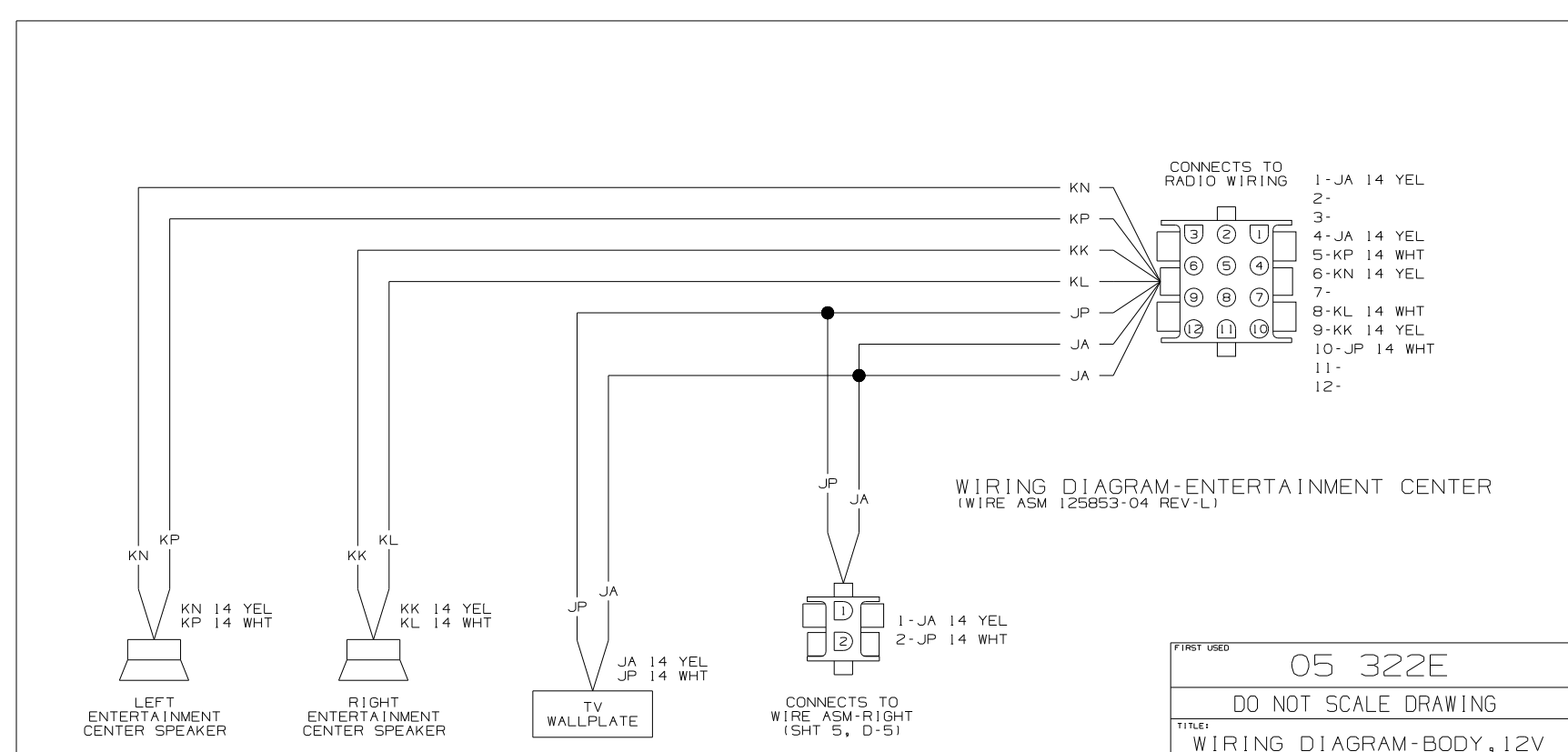
NOTES:

2 SEE SHT 1, B-14 OR SHT 2, B-14 FOR ADDITIONAL INFORMATION.

1 SEE SHT 6, B-8 FOR ADDITIONAL INFORMATION.



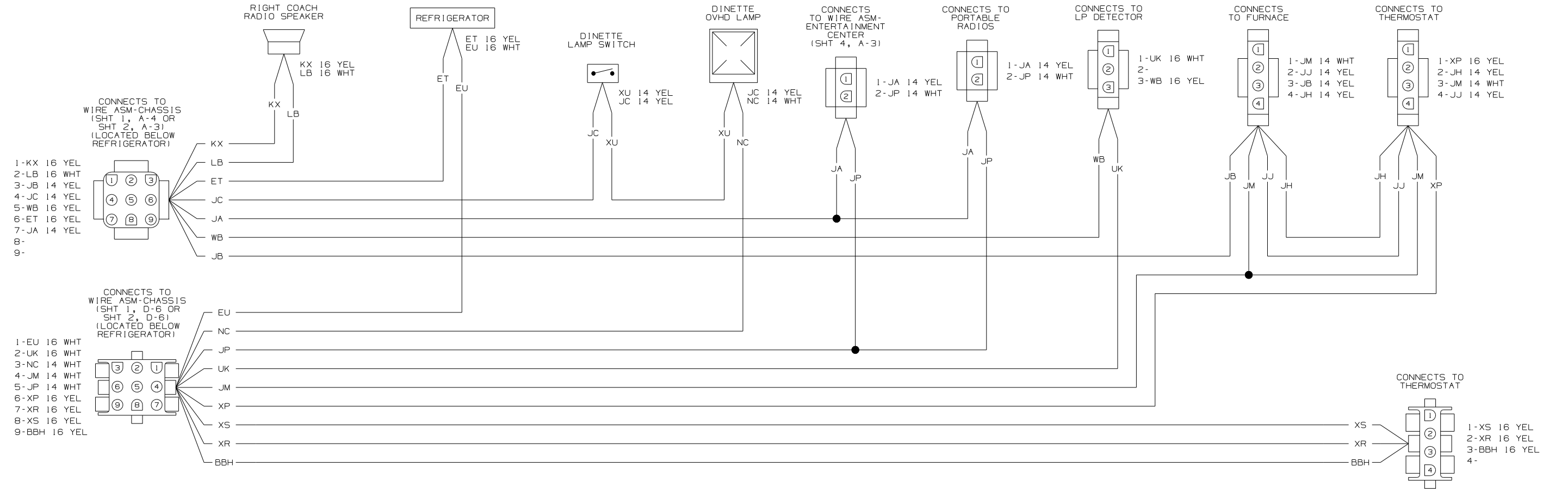
WIRING DIAGRAM-ROOF (WIRE ASM 150943 REV-B)



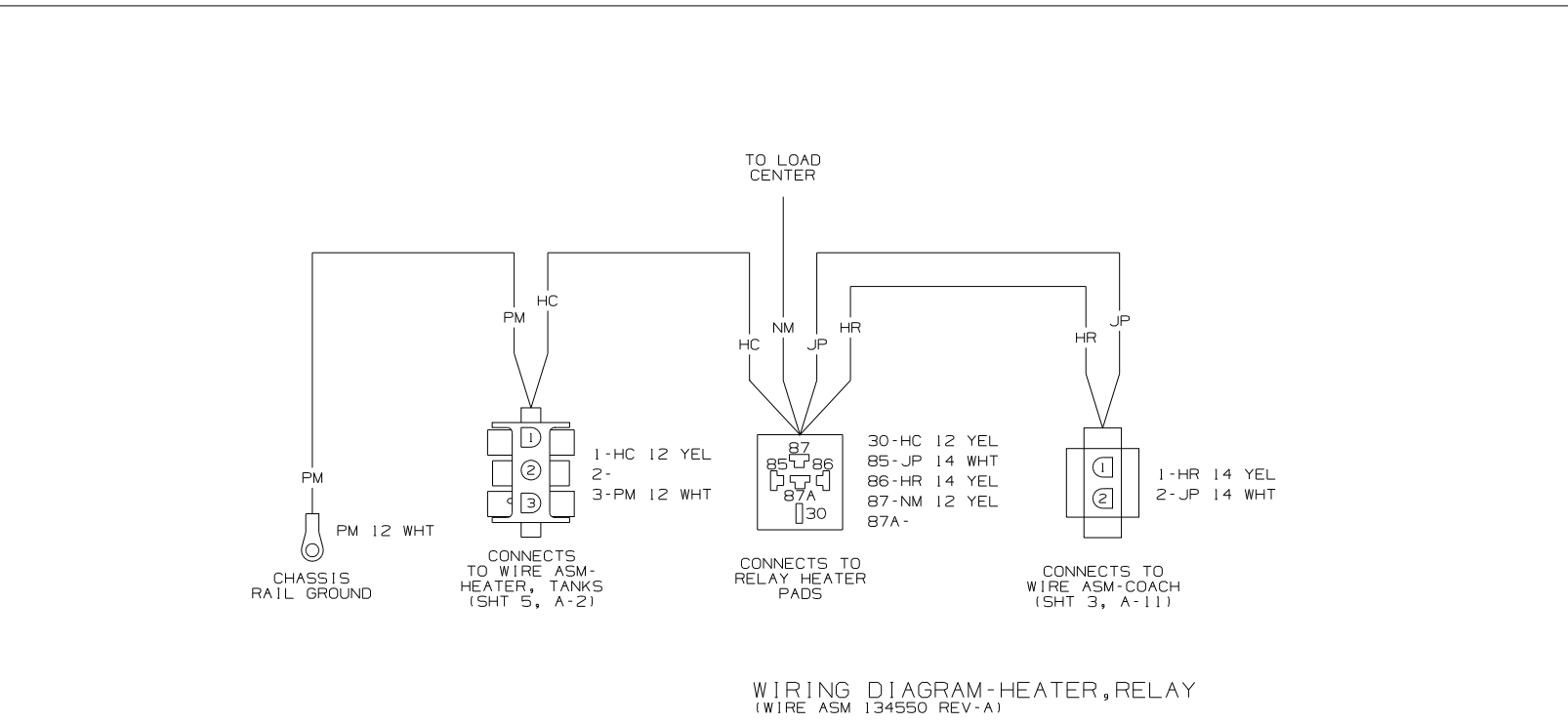
WIRING DIAGRAM-ENTERTAINMENT CENTER (WIRE ASM 125853-04 REV-L)

NOTES: SEE WIRING DIAGRAM-AUTO LAMPS FOR ADDITIONAL INFORMATION.

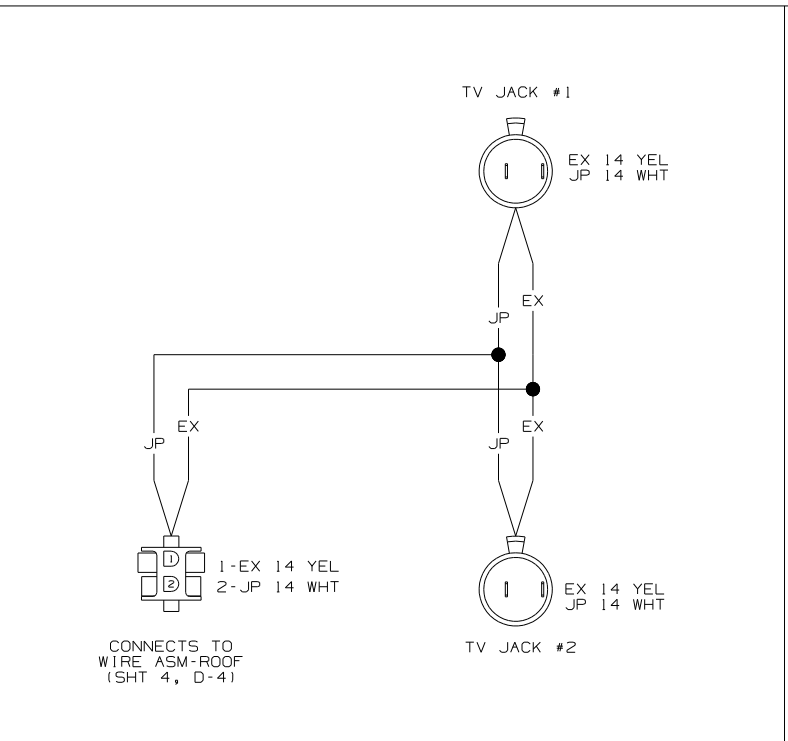
FIRST USED	05 322E
DO NOT SCALE DRAWING	
TITLE: WIRING DIAGRAM-BODY, 12V	
SHEET 3	PART NO 150944



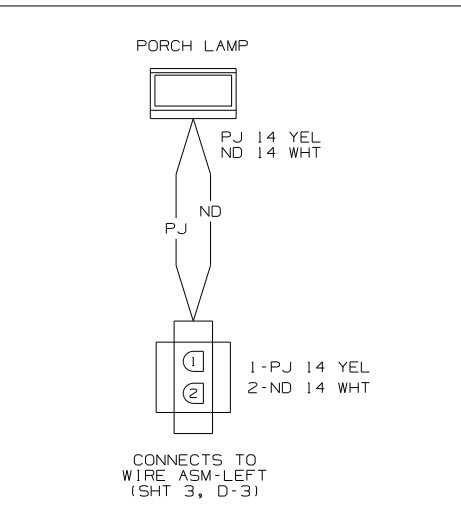
WIRING DIAGRAM-RIGHT
(WIRE ASM 150941 REV-A)



WIRING DIAGRAM-HEATER, RELAY
(WIRE ASM 134550 REV-A)



WIRING DIAGRAM-OVHD, TV
(WIRE ASM 149050 REV-A)



WIRING DIAGRAM-PORCH LAMP
(WIRE ASM 96729-01 REV-G)

FIRST USED	05 322E
TITLE	DO NOT SCALE DRAWING
TITLE	WIRING DIAGRAM-BODY, 12V
SHEET 4	PART NO 150944