



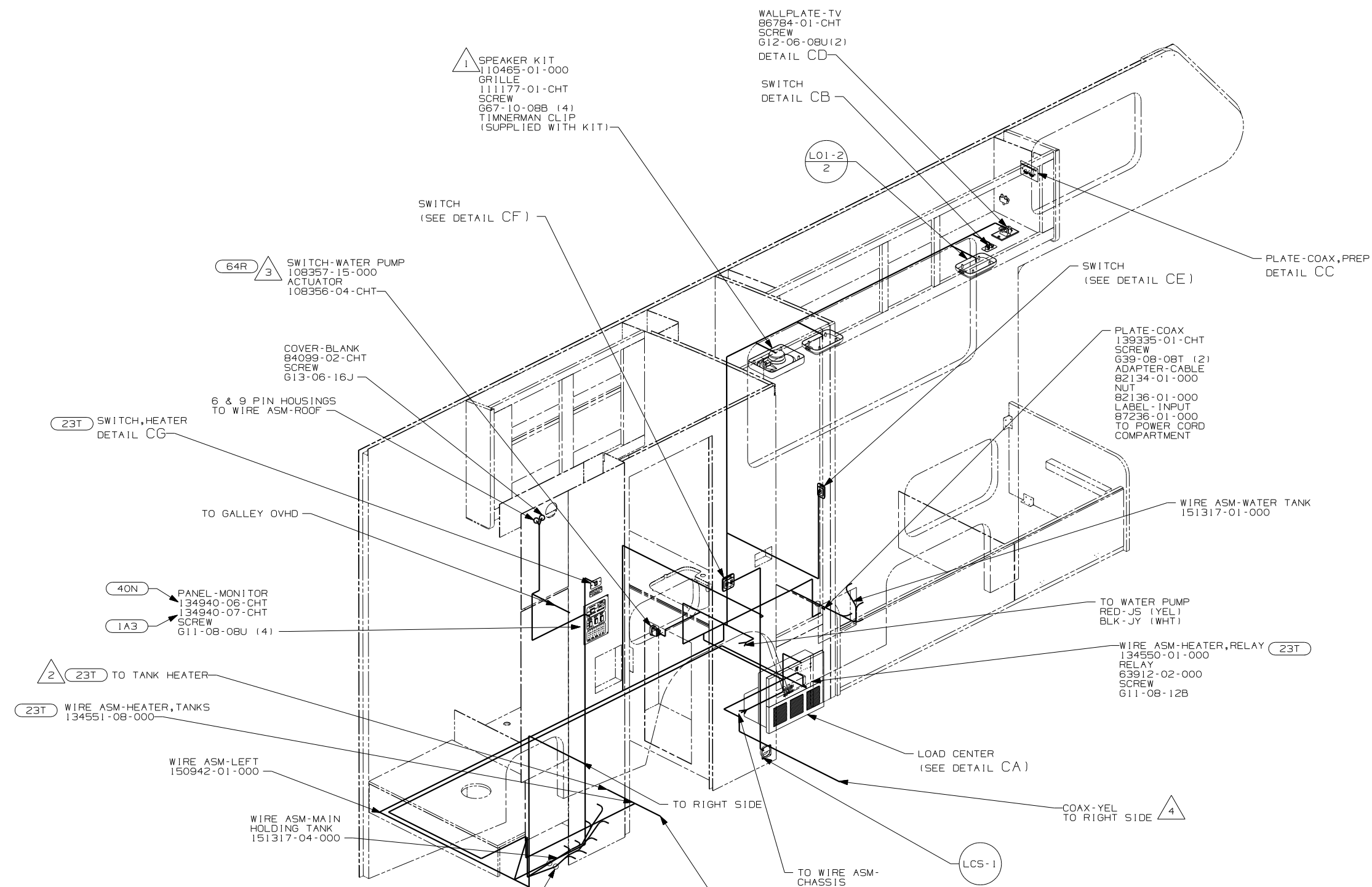
DANGER

Danger of electrical shock, burns or death. Always remove all power sources before attempting any repair, service or diagnostic work. Power can be present from shore power, generator, inverter or battery. All power sources must be disabled and secured before performing any service.



CAUTION

If you lack the skills, tools or equipment to perform diagnostic or repair work leave such work to an authorized Winnebago Industries dealer or other qualified shop.



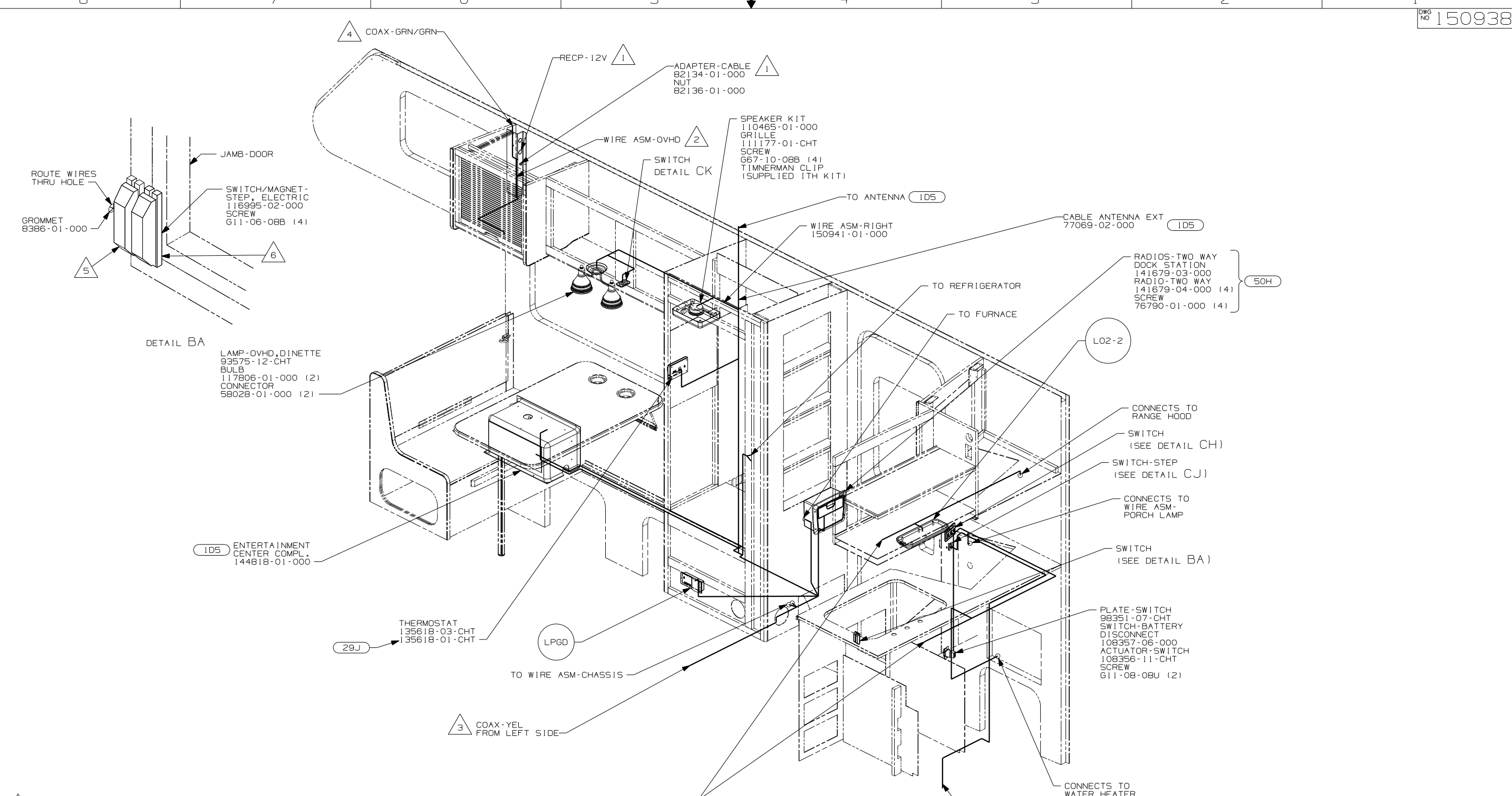
- 1JR TV-13" W/DVD-12V
- 40N GEN-4.0KW-ONAN-GAS-MICROLITE
- 1A3 GENERATOR WITHOUT
- 23T HEATED HOLDING TANKS-PACKAGE
- 64R EXTERIOR WASH STATION

WINNEBAGO		COPYRIGHT 2004 WINNEBAGO INDUSTRIES, INC.	
DFT	ORIG. DATE		
CHKR	ALL DIMENSIONS ARE IN MILLIMETERS		
P.E.	FIRST USED	05 322E	
M.E.			
DSNR			
UNSPECIFIED TOLERANCES ARE:		MATERIAL:	
WHOLE DIM (X)	:		
ONE-PLACE (X.X)	:		
TWO-PLACE (X.XX)	:		
ANGLE	:		
THIRD ANGLE PROJECTION		DO NOT SCALE DRAWING	
TITLE: WIRING INSTL-BODY, 12V			
SHEET 1 OF 5		PART NO 150938	
REF:		1 4/30/2004	

- NOTES:
- 4 COAX IS AN INTEGRAL PART OF WIRE ASM-LEFT.
 - 3 WITHOUT 64R WIRE TIE THE SWITCH AND WIRE ASM. TO MAIN HARNESS.
 - 2 SEE DRAINAGE SYSTEM INSTL. FOR HEATER PAD PART NUMBERS AND LOCATION.
 - 1 USE ONE OF THE 4 SPEAKER ASM'S PROVIDED IN KIT. SEND THE SCREWS IN THE KIT TO THE SURPLUS STORE TO BE SOLD. SEND THE WIRE ASM W/HSG TO WIRE PREP TO BE INCORPORATED INTO THE NECESSARY WIRE LOOM.

FOR ELECTRICAL
TORQUE
SPECIFICATIONS
SEE DWG NO.
128783-01-000

FOR ELECTRICAL
CALLOUTS
SEE DWG NO.
121339-01-000



- △ 6 MOUNT MAGNET USING PILOT HOLES IN SCREEN DOOR FRAME. MOUNT WITH MAGNET TOWARD SWITCH.
- △ 5 MOUNT SWITCH AND SPACER TO BLOCK ON JAMB. ADJUST HEIGHT TO MATCH MAGNET.
- △ 4 COAX IS AN INTEGRAL PART OF WIRE ASM-ROOF
- △ 3 ROUTED IN ROOF.
- △ 2 SEE CABT ASM-OVHD,TV FOR ADDITIONAL INFORMATION.
- △ 1 SEE WIRING INSTL-TV/VCR, SIDE FOR ADDITIONAL INFORMATION.

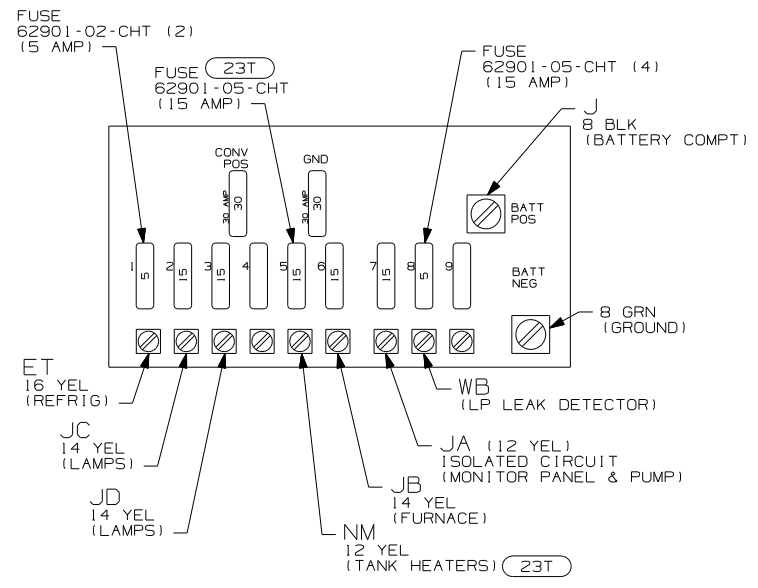
NOTES:

- 50H RADIOS TWO-WAY (4)
- 1D5 ENTERTAINMENT CTR/EXT W/CD
- 29J HEAT PUMP-ROOF AIR

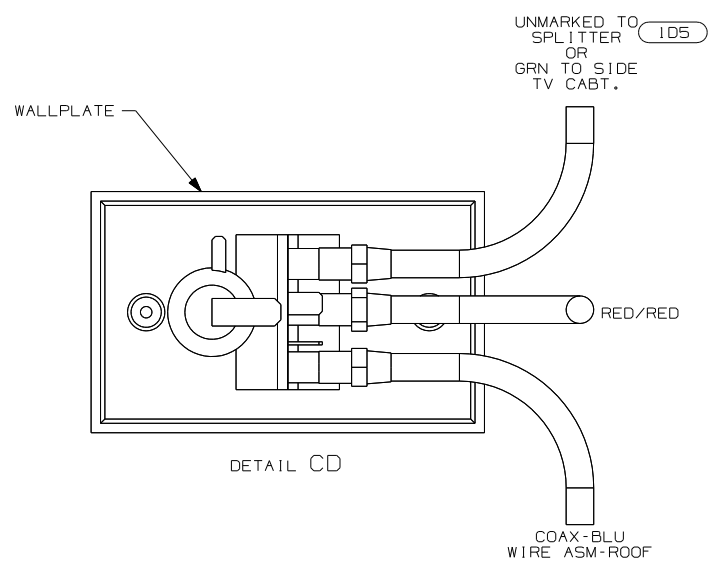
FOR ELECTRICAL TORQUE SPECIFICATIONS SEE DWG NO. 128783-01-000

FOR ELECTRICAL CALLOUTS SEE DWG NO. 121339-01-000

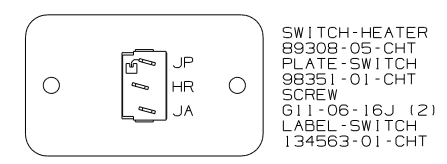
FIRST USED	05 322E
DO NOT SCALE DRAWING	
TITLE:	WIRING INSTL-BODY, 12V
SHEET 2	PART NO 150938



DETAIL CA

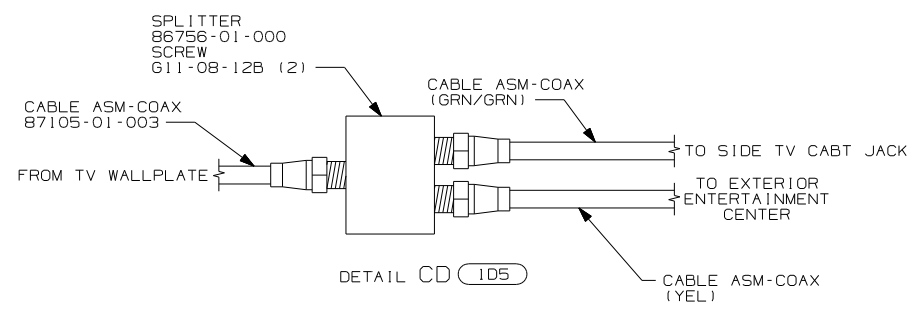


DETAIL CD

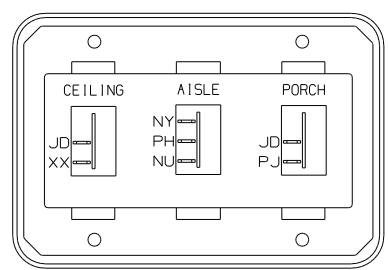


HOLDING TANK HEATER
 TURN OFF When Not In Use
 SEE OPERATORS MANUAL

DETAIL CG (23T)

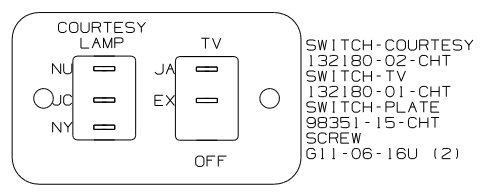


DETAIL CD (ID5)



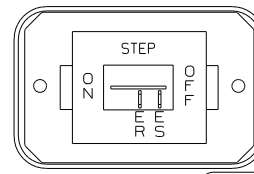
SWITCH-ROCKER
 135740-01-CHT (2)
 135740-02-CHT
 SWITCH-BASE
 135741-03-CHT
 SWITCH-BEZEL
 135742-26-CHT
 SCREW
 G11-08-08U (4)

DETAIL CH



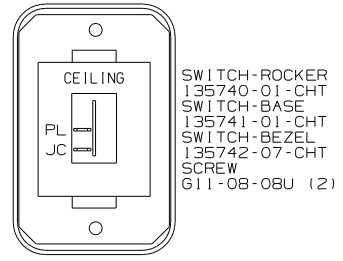
DETAIL CB (IJR)

SWITCH-COURTESY
 132180-02-CHT
 SWITCH-TV
 132180-01-CHT
 SWITCH-PLATE
 98351-15-CHT
 SCREW
 G11-06-16U (2)



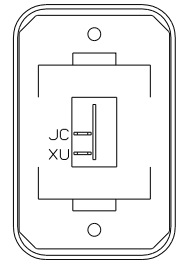
SWITCH-ROCKER
 135740-01-CHT
 SWITCH-BASE
 135741-01-CHT
 SWITCH-BEZEL
 135742-11-CHT
 SCREW
 G11-08-08U (2)

DETAIL CJ (IE2)



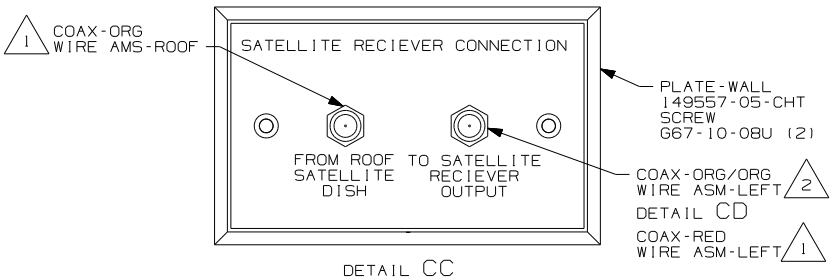
SWITCH-ROCKER
 135740-01-CHT
 SWITCH-BASE
 135741-01-CHT
 SWITCH-BEZEL
 135742-07-CHT
 SCREW
 G11-08-08U (2)

DETAIL CE



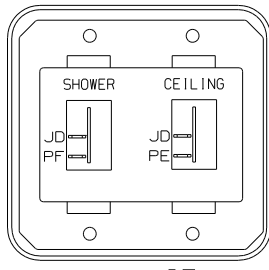
SWITCH-ROCKER
 135740-01-CHT
 SWITCH-BASE
 135741-01-CHT
 SWITCH-BEZEL
 135742-01-CHT
 SCREW
 G11-08-08U (2)

DETAIL CK



DETAIL CC

PLATE-WALL
 149557-05-CHT
 SCREW
 G67-10-08U (2)



SWITCH-ROCKER
 135740-01-CHT (2)
 SWITCH-BASE
 135741-02-CHT
 SWITCH-BEZEL
 135742-15-CHT
 SCREW
 G11-08-08U (4)

DETAIL CF

- (IJR) TV-13" W/DVD-12V
- (IE2) ENTRANCE STEP-ELEC.
- (ID5) ENTERTAINMENT CENTR/EXT W/CD
- (23T) HEATED HOLDING TANKS-PACKAGE

- (2) CONNECT COAX TO FRONTSIDE OF WALLPLATE.
- (1) CONNECT COAX TO BACKSIDE OF WALLPLATE.

NOTES:

FOR ELECTRICAL TORQUE SPECIFICATIONS SEE DWG NO. 128783-01-000

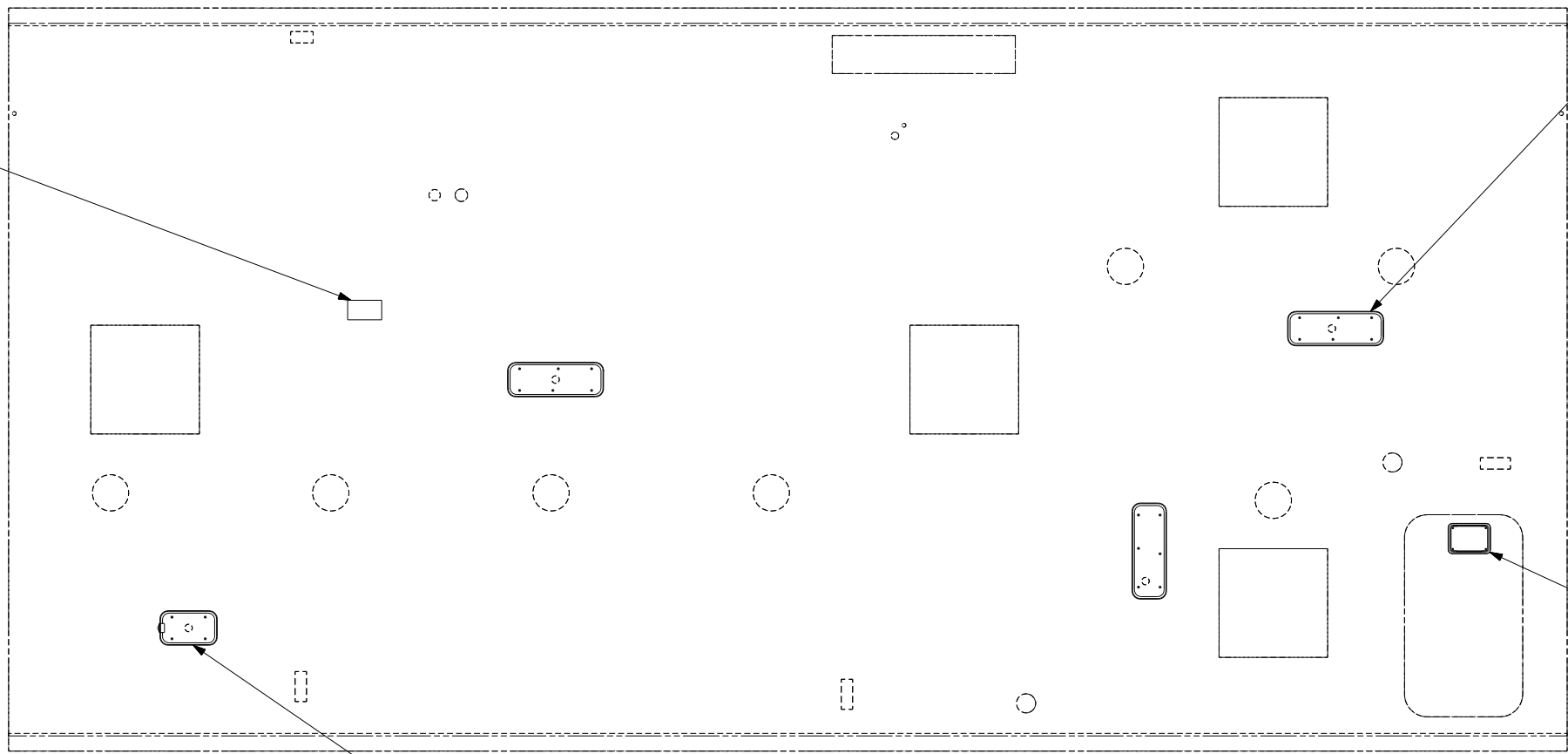
FOR ELECTRICAL CALLOUTS SEE DWG NO. 121339-01-000

FIRST USED	05 322E
DO NOT SCALE DRAWING	
TITLE:	WIRING INSTL-BODY,12V
SHEET 3	PART NO 150938
1 4/30/2004	

8 7 6 5 4 3 2 1

D
C
B
A

D
C
B
A



480 SATELLITE ELEVATION SENSOR (SEE DETAIL EB)

LFSN2 3

LOI-2

LSH-1

480 SATELLITE DISH & ELEV. SENSOR

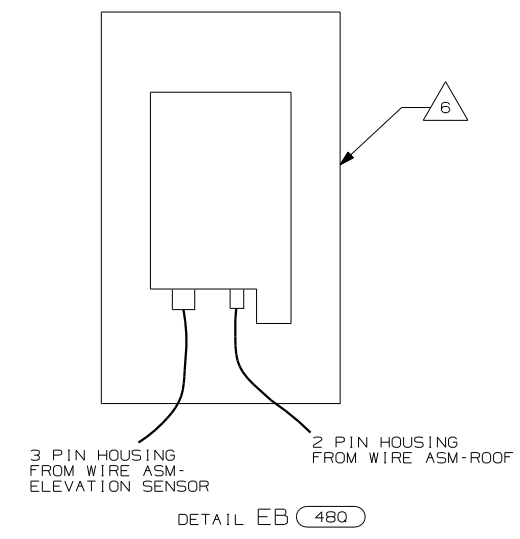
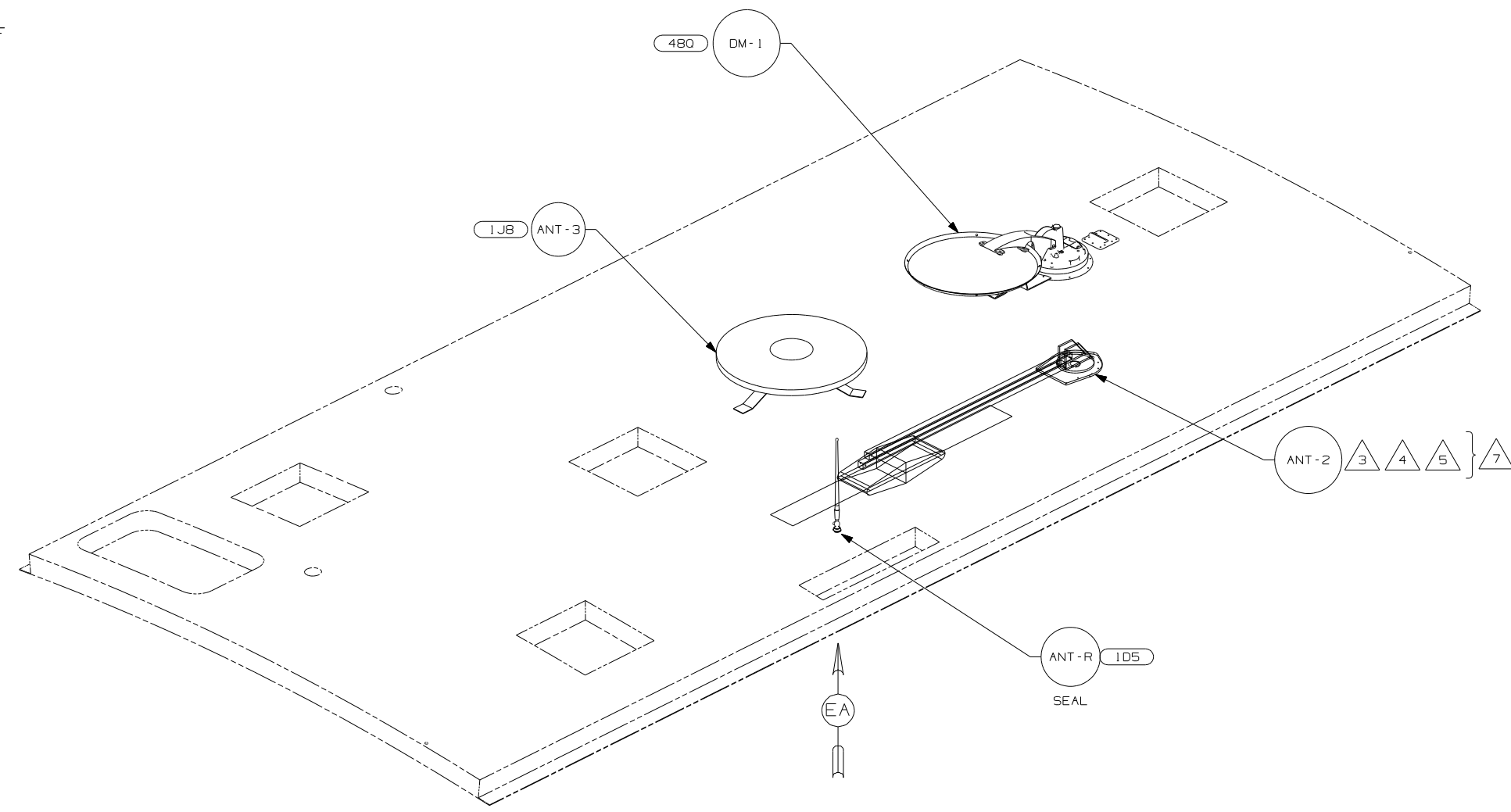
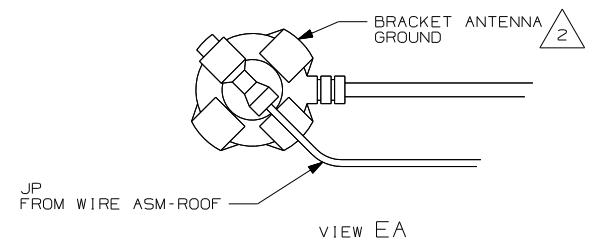
NOTES:
1. SEE ROOF ASM FOR ADDITIONAL INFORMATION.

FOR ELECTRICAL TORQUE SPECIFICATIONS SEE DWG NO. 128783-01-000

(X-X) FOR ELECTRICAL CALLOUTS SEE DWG NO. 121339-01-000

FIRST USED	05 322E
DO NOT SCALE DRAWING	
TITLE:	WIRING INSTL-BODY, 12V
SHEET 4	PART NO 150938

8 7 6 5 4 3 2 1



- 7 NOT USED WITH (1J8)
- 6 SENSOR SUPPLIED WITH SATELLITE ASSEMBLY.
- 5 ADD RUBBER BUMPERS TO ROOF UNDER EACH END OF ANTENNA IN DOWN POSITION.
- 4 LOCATE CLIP TO RETAIN CABLE BUT NOT TO RESTRICT ANTENNA.
- 3 SEE DRAWING 76319-01-000 FOR INSTALLATION OF TV ANTENNA.
- 2 WRAP BRACKET LEGS AROUND ANTENNA BASE.

NOTES:
1. CONNECTOR-PLUG, TRAILER 113589-01-000 TO BE SUPPLIED LOOSE IN COACH WITH TRAILER TOW PACKAGE.

- (1J8) TV ANTENNA-OMNIDIRECTIONAL
- (480) SATELLITE DISH & ELEV. SENSOR
- (1D5) ENTERTAINMENT CTR/EXT W/CD

FOR ELECTRICAL TORQUE SPECIFICATIONS SEE DWG NO. 128783-01-000

FOR ELECTRICAL CALLOUTS SEE DWG NO. 121339-01-000

FIRST USED	05 322E
DO NOT SCALE DRAWING	
TITLE:	WIRING INSTL-BODY, 12V
SHEET 5	PART NO 150938