



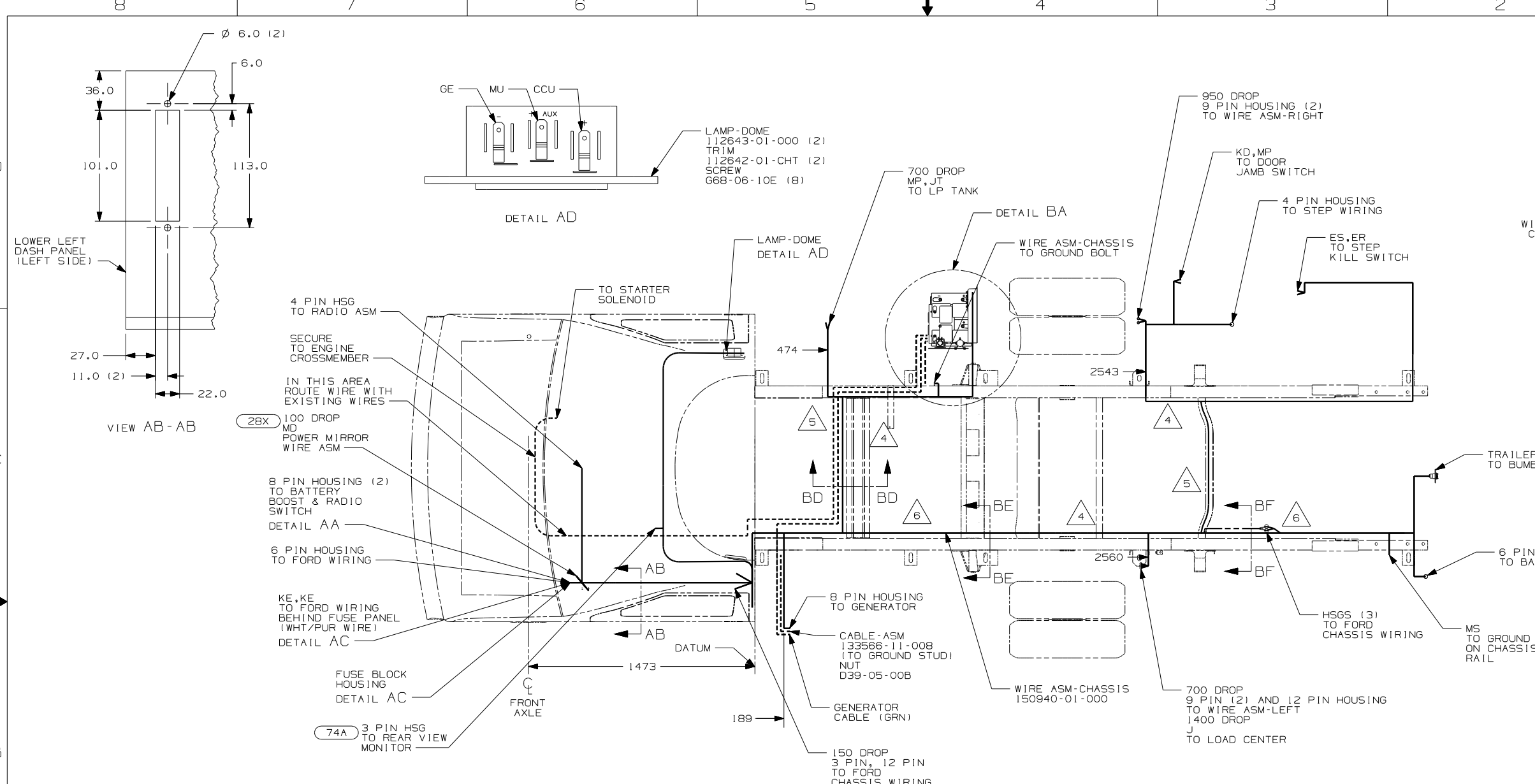
DANGER

Danger of electrical shock, burns or death. Always remove all power sources before attempting any repair, service or diagnostic work. Power can be present from shore power, generator, inverter or battery. All power sources must be disabled and secured before performing any service.



CAUTION

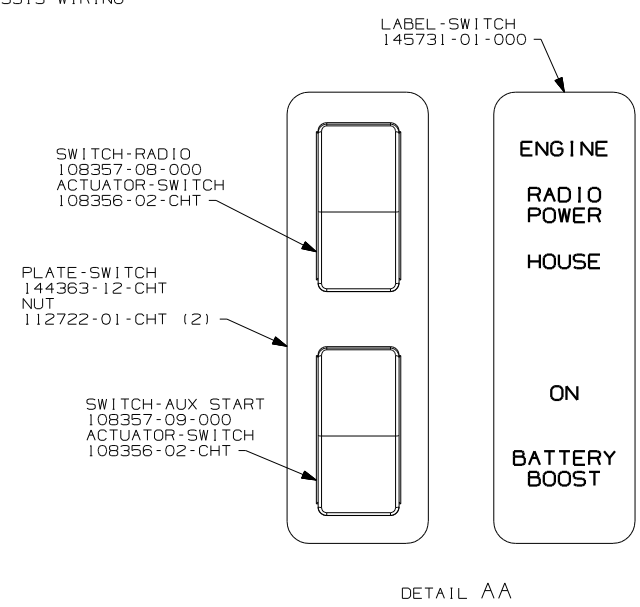
If you lack the skills, tools or equipment to perform diagnostic or repair work leave such work to an authorized Winnebago Industries dealer or other qualified shop.



- (74A) RR MONITOR SYS-SUNVISOR MNTR
- (28X) MIRRORS-EXTERIOR W/DEFROST
- (1E2) ENTRANCE STEP-ELEC.
- (16B) FORD CHASSIS - 10,700# GVWR
- (1DN) FORD 5.4L/V8 ENGINE EXCHANGE

| | | | |
|------------------------------------|--------------|---|--|
| WINNEBAGO | | COPYRIGHT 2004 WINNEBAGO INDUSTRIES, INC. | |
| DFTR | ORIG. DATE | ALL DIMENSIONS ARE IN MILLIMETERS | |
| CHKR | | 05 322E | |
| P.E. | | | |
| M.E. | FIRST USED | | |
| DSNR | | | |
| UNSPECIFIED TOLERANCES ARE: | | MATERIAL: | |
| WHOLE DIM (X) | : | | |
| ONE-PLACE (X.X) | : | | |
| TWO-PLACE (X.XX) | : | | |
| ANGLE | : | | |
| THIRD ANGLE PROJECTION | | | |
| DO NOT SCALE DRAWING | | | |
| TITLE: WIRING INSTL-CHASSIS | | | |
| SHEET 1 of 3 | PART NO | 150937 | |
| REF: | 1 11/12/2004 | | |

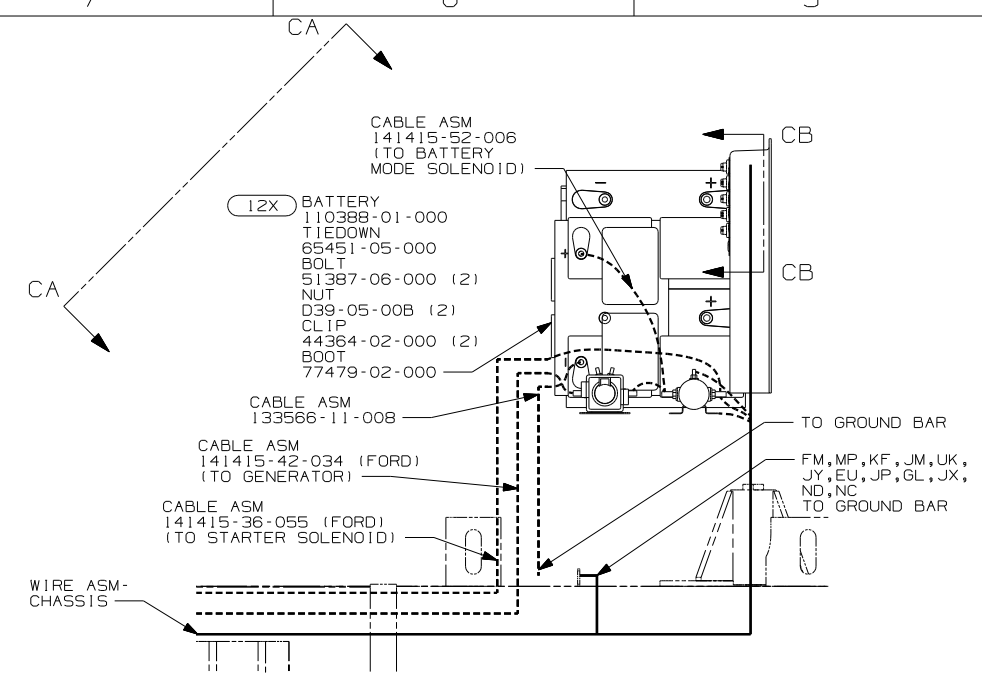
- △ CUT WIRE AND RECONNECT AS SHOWN.
 - △ WIRES TO BE TIED INSIDE OF RAIL USING EXISTING HOLES.
 - △ WIRES TO BE TIED TO CROSSMEMBER USING EXISTING HOLES.
 - △ WIRES TO BE TIED ON TOP OF RAIL USING EXISTING HOLES.
3. USE WITH TIES 8343-04-000 AND 116673-01-000 APPROXIMATELY 600MM ON CENTER UNLESS OTHERWISE SPECIFIED.
 2. SECURE CONDUIT 41953-01-000 OVER ALL WIRES IN CONTACT WITH SHARP EDGES.
 1. LEGEND: — WINNEBAGO: - - - - - CABLE: - - - - - CHASSIS SUPPLIED WIRING.
- NOTES:



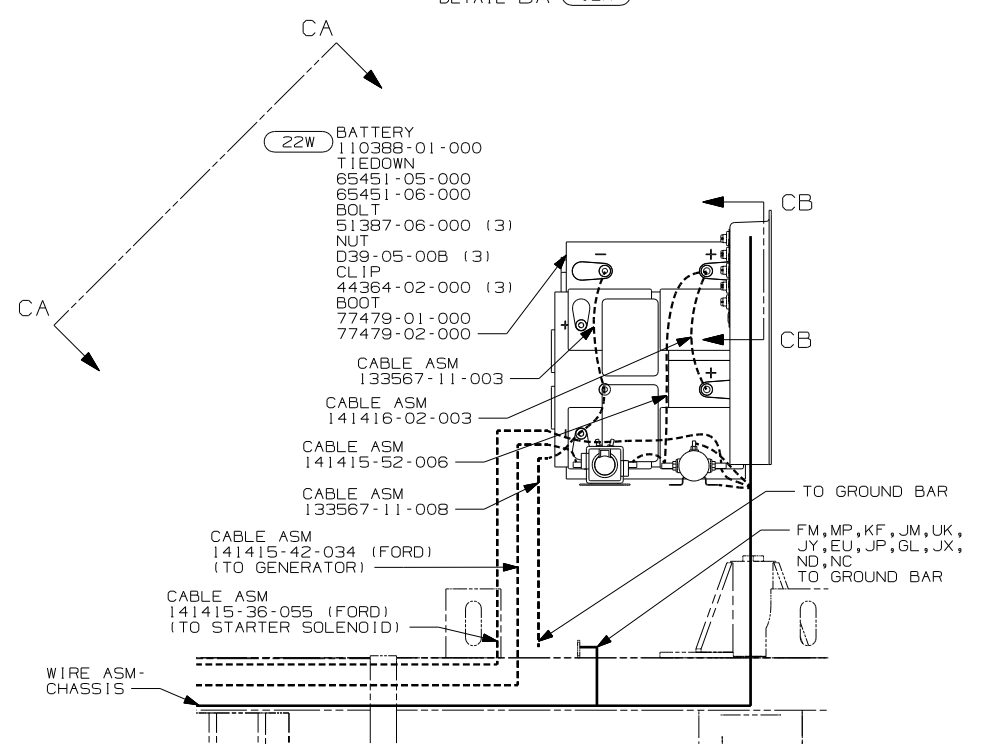
FOR ELECTRICAL
TORQUE
SPECIFICATIONS
SEE DWG NO.
128783-01-000

(X-X)

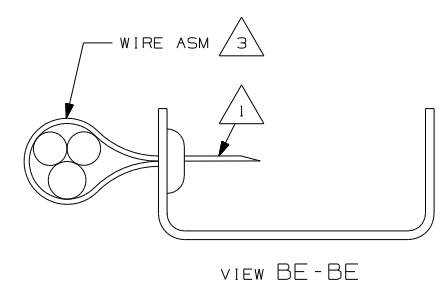
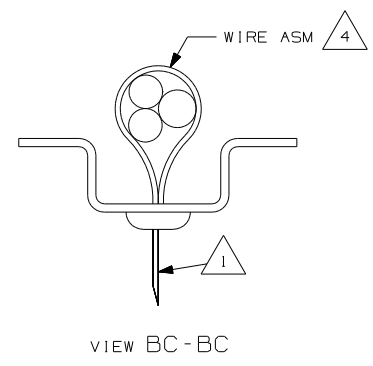
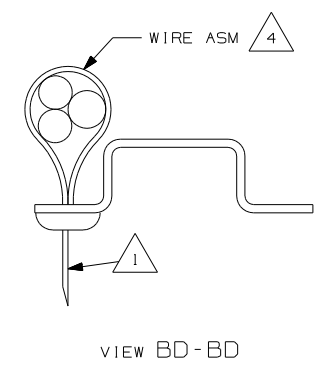
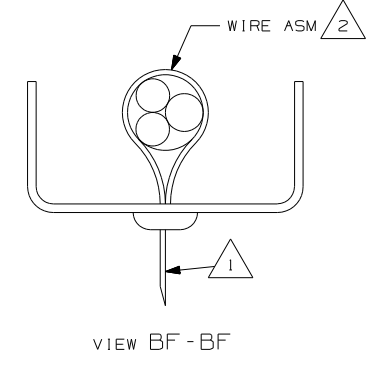
FOR
ELECTRICAL
CALLOUTS
SEE DWG NO.
121339-01-000



DETAIL BA (12X)



DETAIL BA (22W)



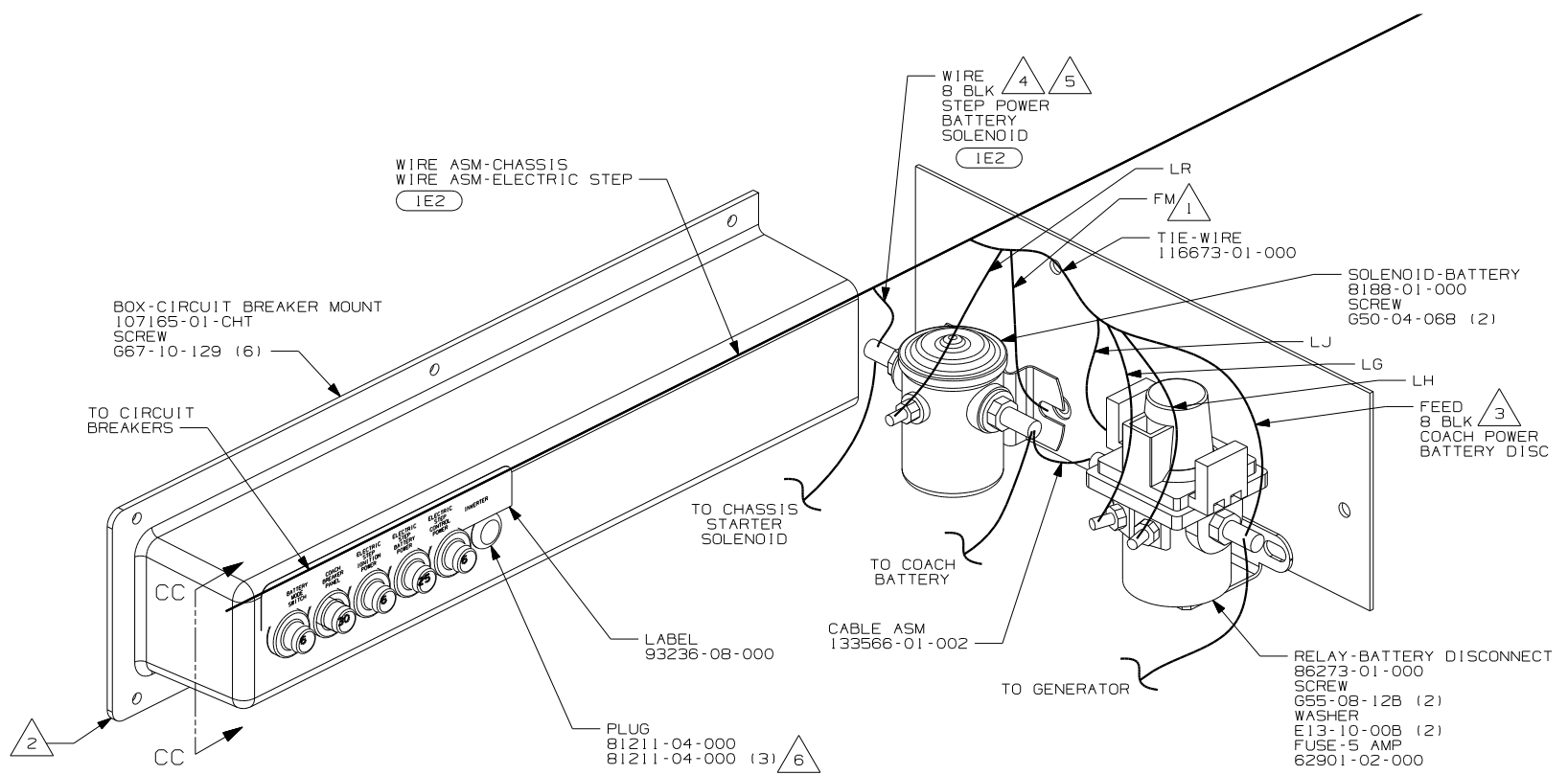
(12X) BATTERY-ONE
(22W) BATTERY-SECOND

- NOTES:
- 4 WIRES TO BE TIED TO CROSSMEMBER USING EXISTING HOLES.
 - 3 WIRES TO BE TIED ON TOP OF RAIL USING EXISTING HOLES.
 - 2 WIRES TO BE TIED INSIDE OF RAIL USING EXISTING HOLES.
 - 1 CUT OFF EXCESS END OF WIRE TIE.

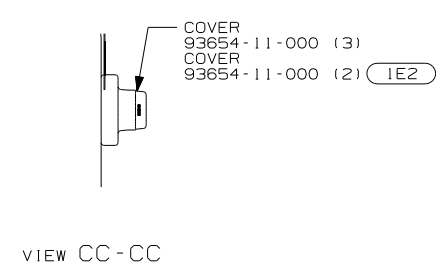
FOR ELECTRICAL TORQUE SPECIFICATIONS SEE DWG NO. 128783-01-000

FOR ELECTRICAL CALLOUTS SEE DWG NO. 121339-01-000

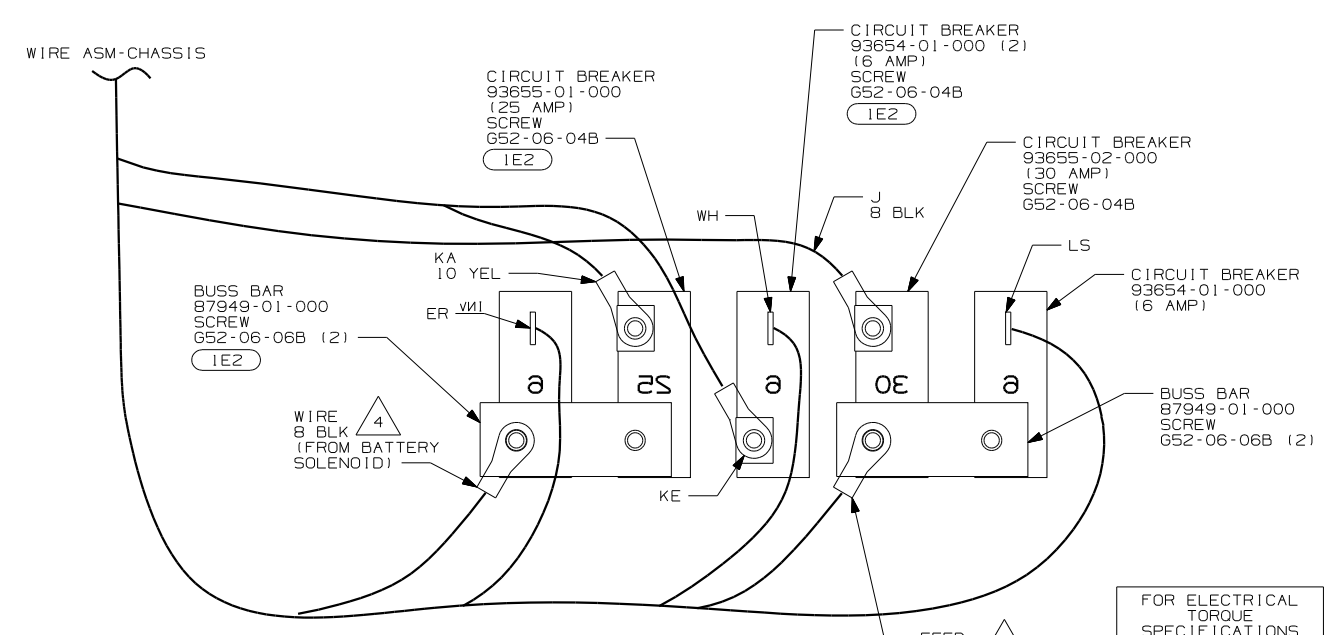
| | |
|----------------------|----------------------|
| FIRST USED | 05 322E |
| DO NOT SCALE DRAWING | |
| TITLE | WIRING INSTL-CHASSIS |
| SHEET 2 | PART NO 150937 |



VIEW CA-CA



VIEW CC-CC



VIEW CB-CB (5)

- NOTES:
- 6 WITHOUT (IE2)
 - 5 WITHOUT (IE2) TIE BACK ALL UNUSED WIRES AND COVER WITH TAPE 8363-01-000.
 - 4 LEAD MARKED WITH YELLOW TAPE.
 - 3 LEAD MARKED WITH RED TAPE.
 - 2 LOCATE BOX HORIZONTALLY BY CENTERING ON HOLE IN REAR OF COMPARTMENT.
 - 1 SECURE WITH SOLENOID MOUNTING BOLT.

FOR ELECTRICAL TORQUE SPECIFICATIONS SEE DWG NO. 128783-01-000

FOR ELECTRICAL CALLOUTS SEE DWG NO. 121339-01-000

(IE2) ENTRANCE STEP-ELEC.

| | |
|----------------------|----------------------|
| FIRST USED | 05 322E |
| DO NOT SCALE DRAWING | |
| TITLE | WIRING INSTL-CHASSIS |
| SHEET 3 | PART NO 150937 |