



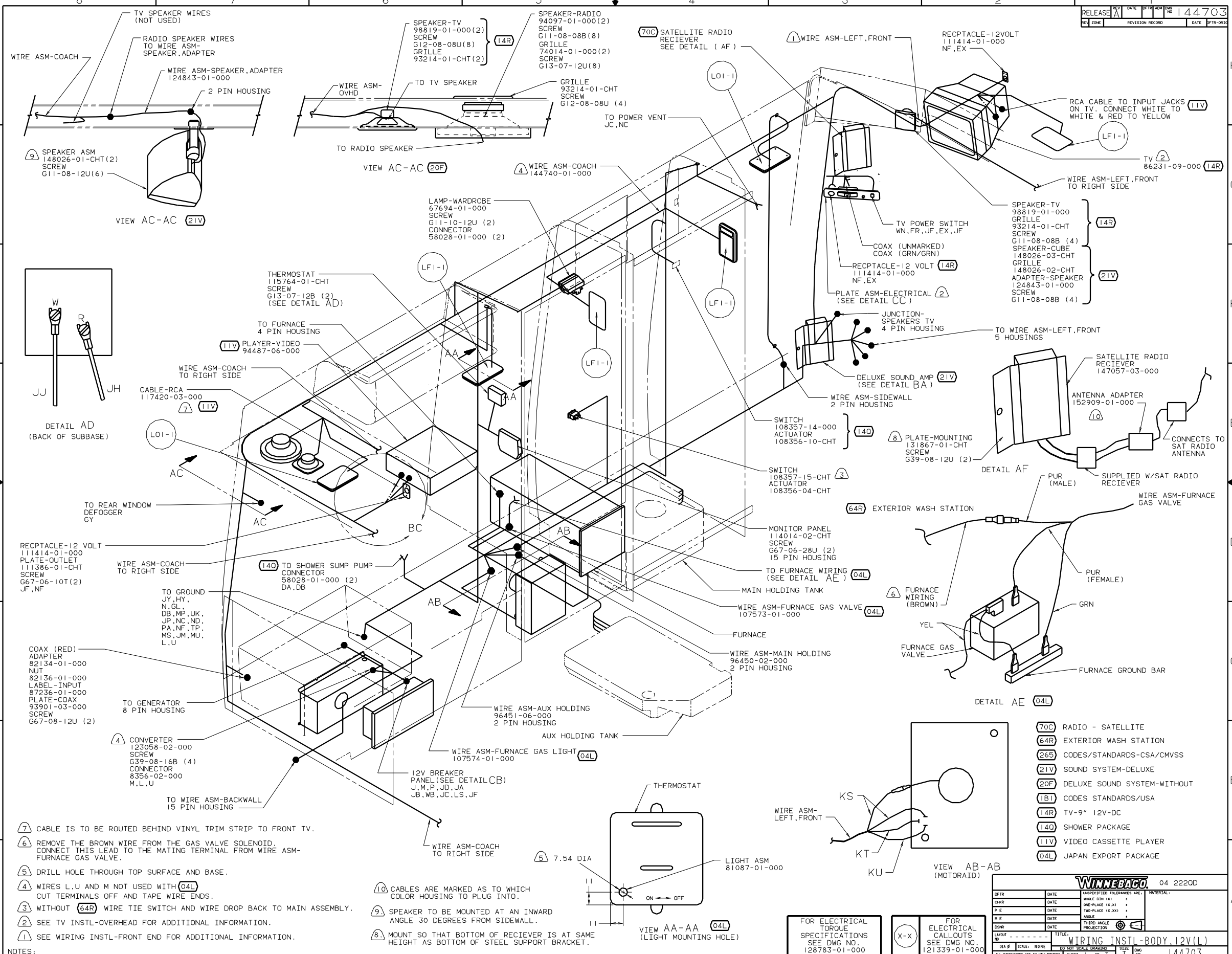
DANGER

Danger of electrical shock, burns or death. Always remove all power sources before attempting any repair, service or diagnostic work. Power can be present from shore power, generator, inverter or battery. All power sources must be disabled and secured before performing any service.



CAUTION

If you lack the skills, tools or equipment to perform diagnostic or repair work leave such work to an authorized Winnebago Industries dealer or other qualified shop.



- NOTES:
- 7 CABLE IS TO BE ROUTED BEHIND VINYL TRIM STRIP TO FRONT TV.
 - 6 REMOVE THE BROWN WIRE FROM THE GAS VALVE SOLENOID. CONNECT THIS LEAD TO THE MATING TERMINAL FROM WIRE ASM-FURNACE GAS VALVE.
 - 5 DRILL HOLE THROUGH TOP SURFACE AND BASE.
 - 4 WIRES L,U AND M NOT USED WITH (04L) CUT TERMINALS OFF AND TAPE WIRE ENDS.
 - 3 WITHOUT (64R) WIRE TIE SWITCH AND WIRE DROP BACK TO MAIN ASSEMBLY.
 - 2 SEE TV INSTL-OVERHEAD FOR ADDITIONAL INFORMATION.
 - 1 SEE WIRING INSTL-FRONT END FOR ADDITIONAL INFORMATION.

- 10 CABLES ARE MARKED AS TO WHICH COLOR HOUSING TO PLUG INTO.
- 9 SPEAKER TO BE MOUNTED AT AN INWARD ANGLE 30 DEGREES FROM SIDEWALL.
- 8 MOUNT SO THAT BOTTOM OF RECIEVER IS AT SAME HEIGHT AS BOTTOM OF STEEL SUPPORT BRACKET.

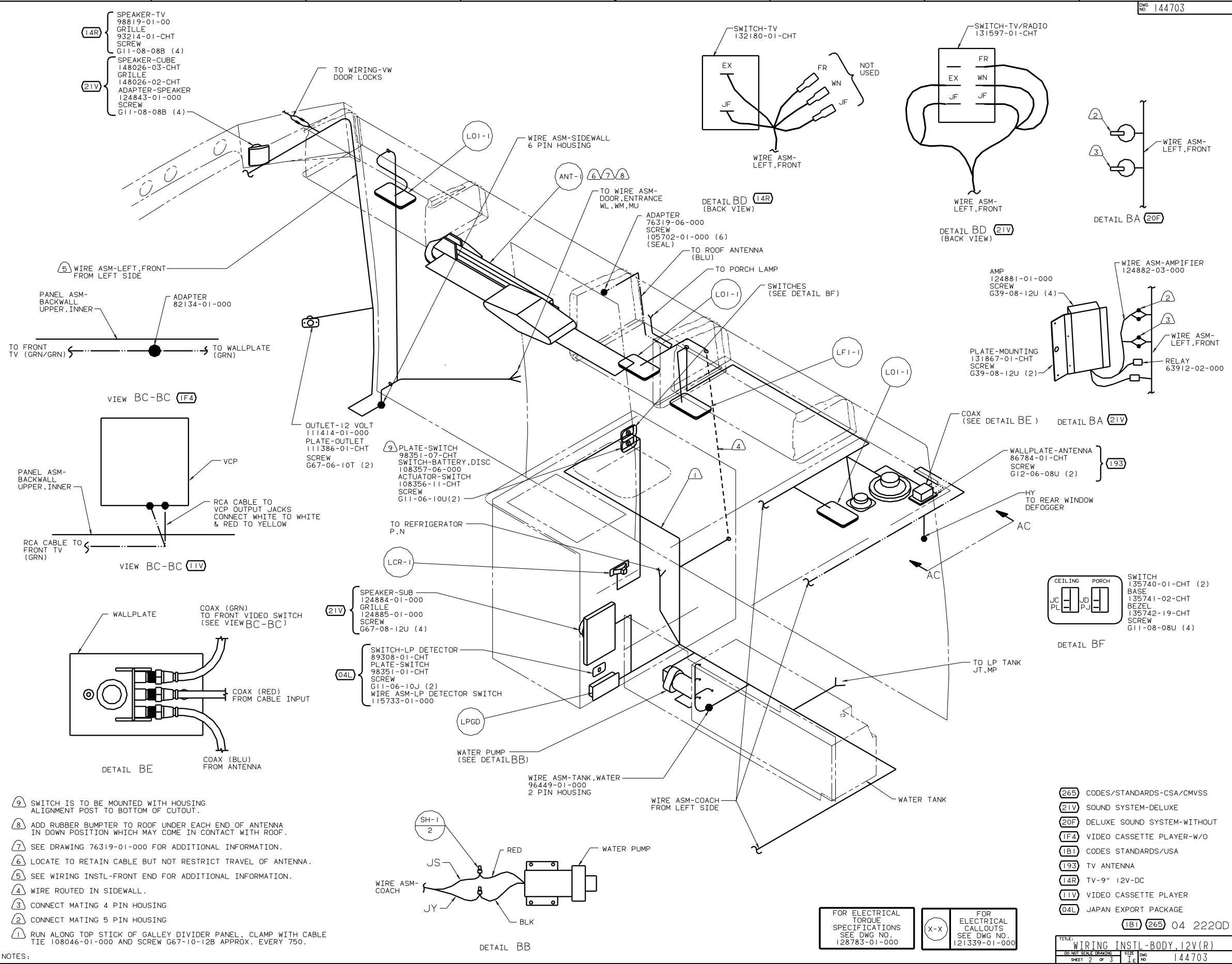
- (70C) RADIO - SATELLITE
- (64R) EXTERIOR WASH STATION
- (265) CODES/STANDARDS-CSA/CMVSS
- (21V) SOUND SYSTEM-DELUXE
- (20F) DELUXE SOUND SYSTEM-WITHOUT
- (1B1) CODES STANDARDS/USA
- (14R) TV-9" 12V-DC
- (140) SHOWER PACKAGE
- (11V) VIDEO CASSETTE PLAYER
- (04L) JAPAN EXPORT PACKAGE

FOR ELECTRICAL TORQUE SPECIFICATIONS SEE DWG NO. 128783-01-000

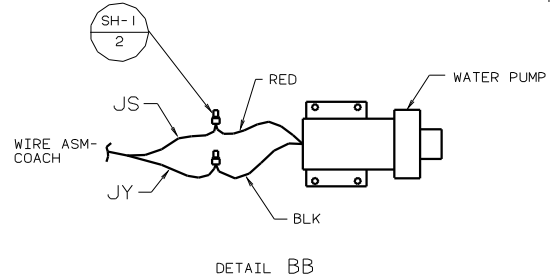
FOR ELECTRICAL CALLOUTS SEE DWG NO. 121339-01-000

LAYOUT NO.		DATE		UNSPECIFIED TOLERANCES ARE:		MATERIAL:	
CHW	DATE	WHOLE DIM (X)	+	ONE-PLACE (X,X)	+		
P E	DATE	TWO-PLACE (X.XX)	+				
M E	DATE	THIRD ANGLE PROJECTION					
DSNR	DATE						
TITLE: WIRING INSTL-BODY, 12V (L)		SCALE: NONE		SHEET NO. 3		DWG NO. 144703	

WINNEBAGO 04 2220D



- NOTES:**
- 9 SWITCH IS TO BE MOUNTED WITH HOUSING ALIGNMENT POST TO BOTTOM OF CUTOUT.
 - 8 ADD RUBBER BUMPTER TO ROOF UNDER EACH END OF ANTENNA IN DOWN POSITION WHICH MAY COME IN CONTACT WITH ROOF.
 - 7 SEE DRAWING 76319-01-000 FOR ADDITIONAL INFORMATION.
 - 6 LOCATE TO RETAIN CABLE BUT NOT RESTRICT TRAVEL OF ANTENNA.
 - 5 SEE WIRING INSTL-FRONT END FOR ADDITIONAL INFORMATION.
 - 4 WIRE ROUTED IN SIDEWALL.
 - 3 CONNECT MATING 4 PIN HOUSING
 - 2 CONNECT MATING 5 PIN HOUSING
 - 1 RUN ALONG TOP STICK OF GALLEY DIVIDER PANEL. CLAMP WITH CABLE TIE 108046-01-000 AND SCREW G67-10-12B APPROX. EVERY 750.

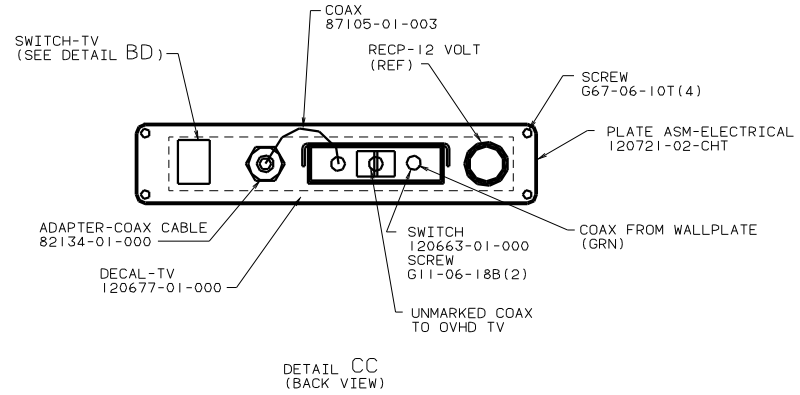
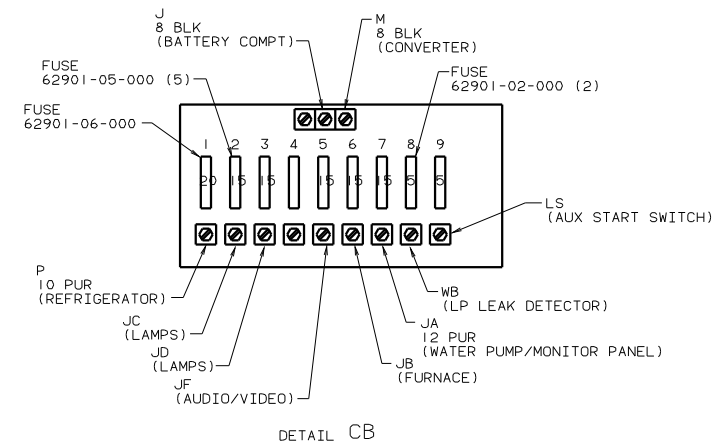


FOR ELECTRICAL TORQUE SPECIFICATIONS SEE DWG NO. 128783-01-000

X-X

FOR ELECTRICAL CALLOUTS SEE DWG NO. 121339-01-000

- 265 CODES/STANDARDS-CSA/CMVSS
- 21V SOUND SYSTEM-DELUXE
- 20F DELUXE SOUND SYSTEM-WITHOUT
- 1F4 VIDEO CASSETTE PLAYER-W/O
- 1B1 CODES STANDARDS/USA
- 193 TV ANTENNA
- 14R TV-9" 12V-DC
- 11V VIDEO CASSETTE PLAYER
- 04L JAPAN EXPORT PACKAGE



FOR ELECTRICAL TORQUE SPECIFICATIONS SEE DWG NO. 128783-01-000

- (265) CODES/STANDARDS-CSA/CMVSS
- (1B1) CODES STANDARDS/USA
- (04L) JAPAN EXPORT PACKAGE
- (1B1) (265) (04L) 04 2220D

TITLE		WIRING INSTL-BODY, 12V(EXT)	
DD	NO	REV	NO
SHEET	3	OF	3
DWG	NO	144703	

NOTES: