

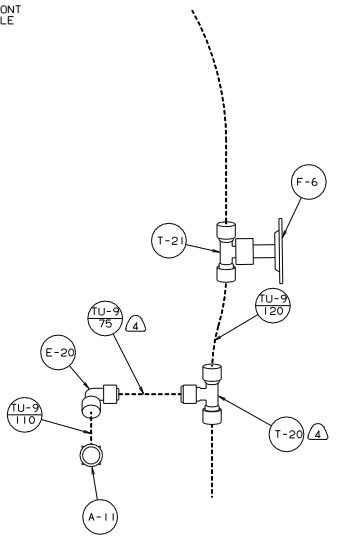
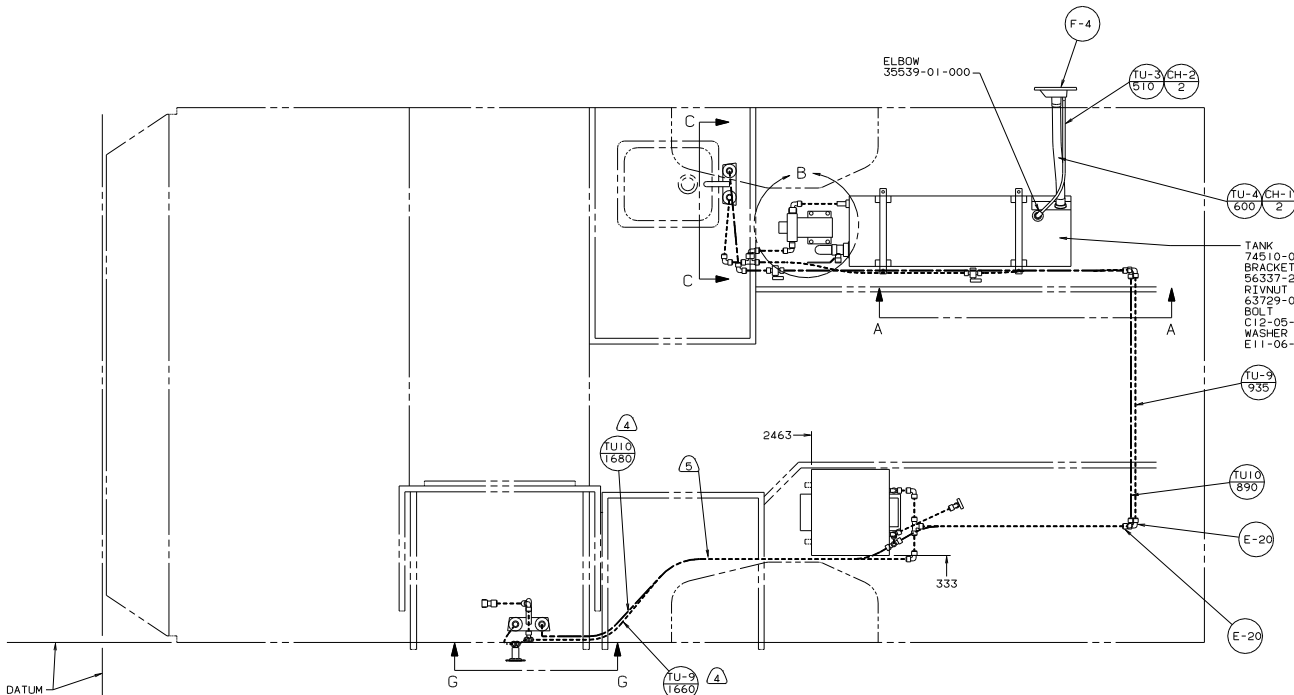
X-X FOR DRAINAGE CALLOUTS SEE DWG NO. 116229-01-000

222 RD US/CANADIAN

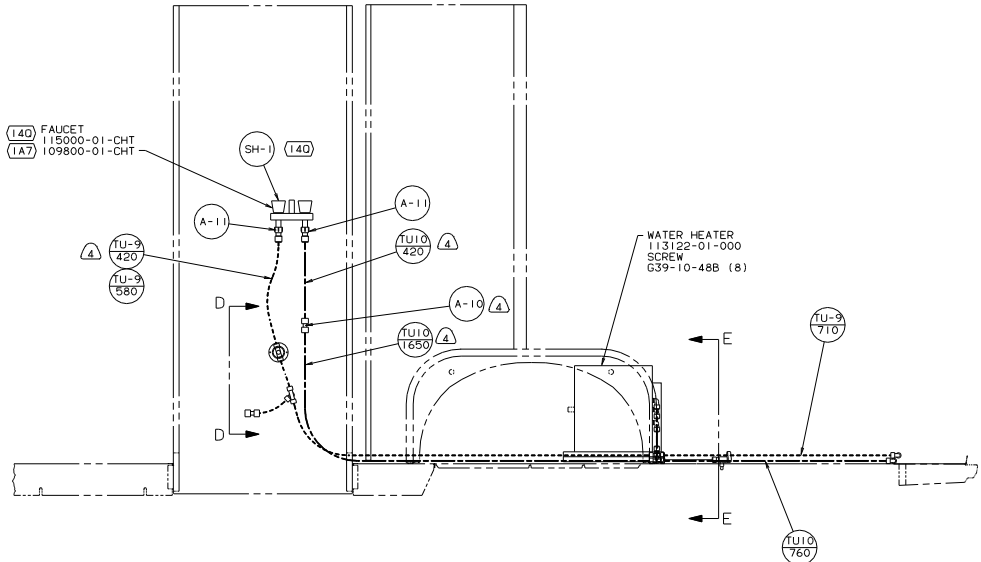
- (265) CODES/STANDARDS-CSA/CMVSS
- (1B1) CODES STANDARDS/USA
- (1A7) SHOWER PACKAGE-WITHOUT
- (140) SHOWER PACKAGE

5. EXPOSED PIPE ABOVE ROOF TO BE PAINTED 37163-01-000.
4. ALL EXTERIOR OPENINGS AROUND PIPE TO BE SEALED WITH 69637-01-000.
3. ALL PIPE AND FITTINGS TO BE ASSEMBLED WITH SOLVENT 4020-01-000.
2. SLOPE OF TRAP ARM MUST BE 6 PER 305.
1. SLOPE OF HORIZONTAL PIPING TO BE 6 PER 305 MIN.
9. USE SCRAP CLOSED CELL NEOPRENE FROM 77075-01,-02 OR -03 ON HAT CHANNELS FOR VIBRATION DAMPENING.
8. VENT PIPE MUST PROJECT 51 MIN AND 63.5 MAX ABOVE ROOF FOR PROPER FIT AND FUNCTION.
7. SEE DWG 61607-01-000 FOR INSTALLATION OF GROMMET.
6. FOR CAN UNITS EACH HOLDING TANK SHALL HAVE A CSA APPROVAL STAMPED NEAR THE IAMPO APPROVAL.
10. SECURE PIPES TO CABINET USING WIRE TIE 108046-02-000 AND SCREW 667-10-12U (8).

COPYRIGHT 2003 WINNEBAGO INDUSTRIES, INC. WINNEBAGO 03 2220D		MATERIAL:	
DATE	UNSPECIFIED TOLERANCES ARE:		
DATE	WHOLE DIM (XX) ± .3		
DATE	ONE-PLACE (X.X) ± .1		
DATE	TWO-PLACE (X.XX) ± .05		
DATE	THIRD ANGLE PROJECTION		
DATE			
LAYOUT NO	TITLE	DRAWING NO	
200GEN	DRAINAGE SYSTEM INSTL	141598	
DIA #	SCALE: NONE	DO NOT SCALE DRAWING	SHEET NO
ALL DIMENSIONS ARE IN MILLIMETERS			



VIEW D-D



- NOTES:
1. PLASTIC FITTINGS TO BE SEALED WITH SEALANT 84456-01-000.
 2. TUBING TO BE INSTALLED WITH SUFFICIENT SLOPE TO PROVIDE DRAINAGE TO NEAREST VALVE.
 3. ALL TUBING TO BE SECURED AT 1200 INTERVALS MAXIMUM WITH CLAMP 10495-01-000 OR CLIP 91951-01-000 AND SCREW G67-10-12B.

6. TRIMARK "KEY ONE" KEY: P/N 138288-01 THRU -10 WATER FILL: P/N 138637-53-000 THRU -009.
5. WRAP WATER LINES WITH INSULATION 105290-01-000 ANY PLACE THEY ARE IN CONTACT WITH MOTOR AID LINES. FASTEN WITH WIRE TIES.

(X-X) FOR WATER CALLOUTS SEE DWG NO. 116230-01-000

LEGEND	
HOT	—————
COLD	-----

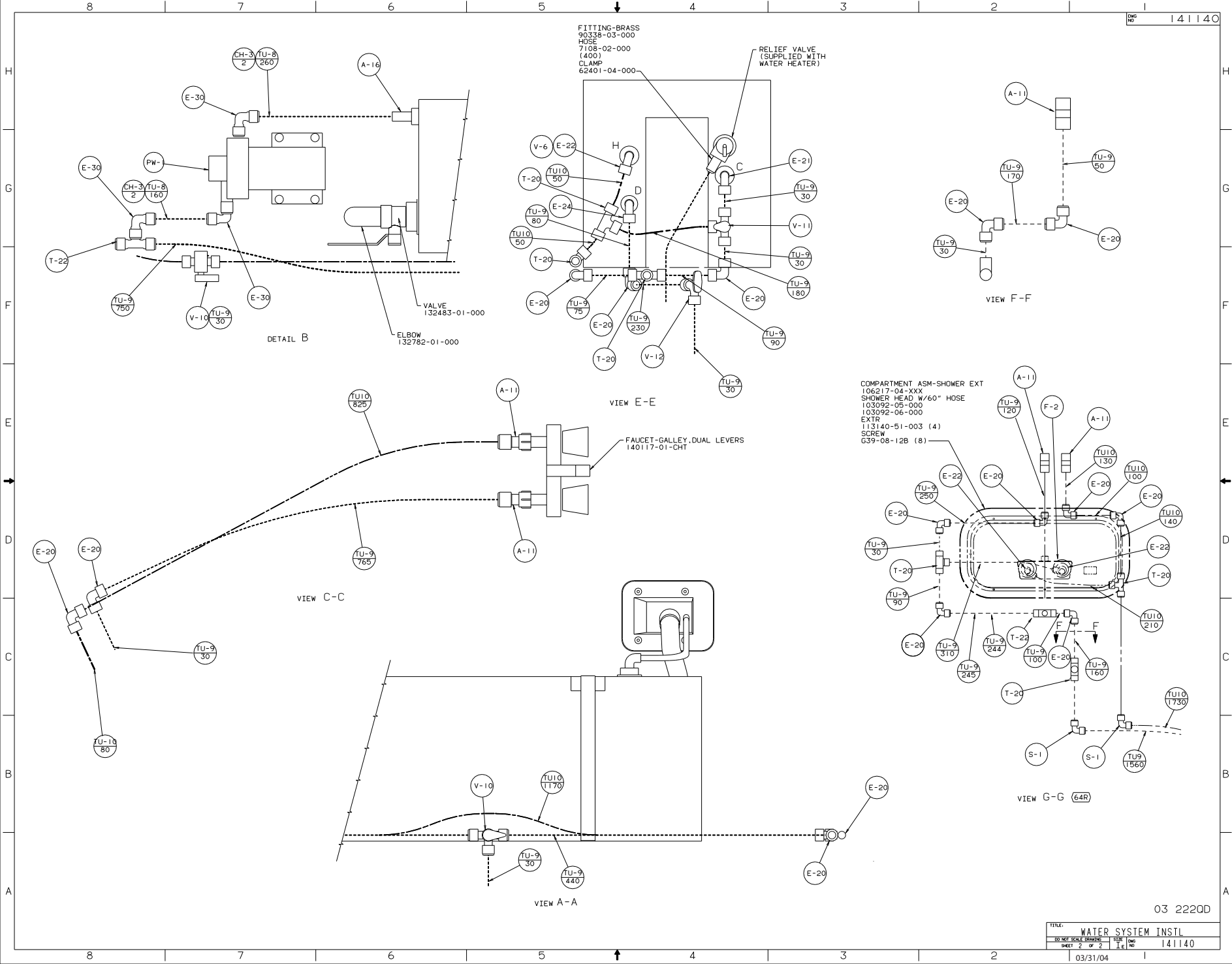
- (64R) EXTERIOR WASH STATION
- (1A7) SHOWER PACKAGE-WITHOUT
- (140) SHOWER PACKAGE

WINNERAGO 03 22200

OPTR	DATE	UNSPECIFIED TOLERANCES ARE:	MATERIAL
CHRP	DATE	WHOLE DIM (IN)	F 1
F 1/E	DATE	ONE-PLACE (IN.XI)	.
F 1/E	DATE	TWO-PLACE (IN.XXX)	.
F 1/E	DATE	ANGLE	
CDPR	DATE	THIRD ANGLE PROJECTION	☉

LANO# 22200 TITLE: WATER SYSTEM INSTL
 DIA # SCALE: NONE 3D NET SCALE DRAWING SIZE: 11E NO
 ALL DIMENSIONS ARE IN MILLIMETERS SHEET 1 OF 2

2 03/31/04 REF: 133334 1 REV G



03 2220D

TITLE: WATER SYSTEM INSTL			
30 MIL SCALE DRAWING	SIZE: 11x14	DATE: 03/31/04	NO: 141140
SHEET 2 OF 2			