



**DANGER**

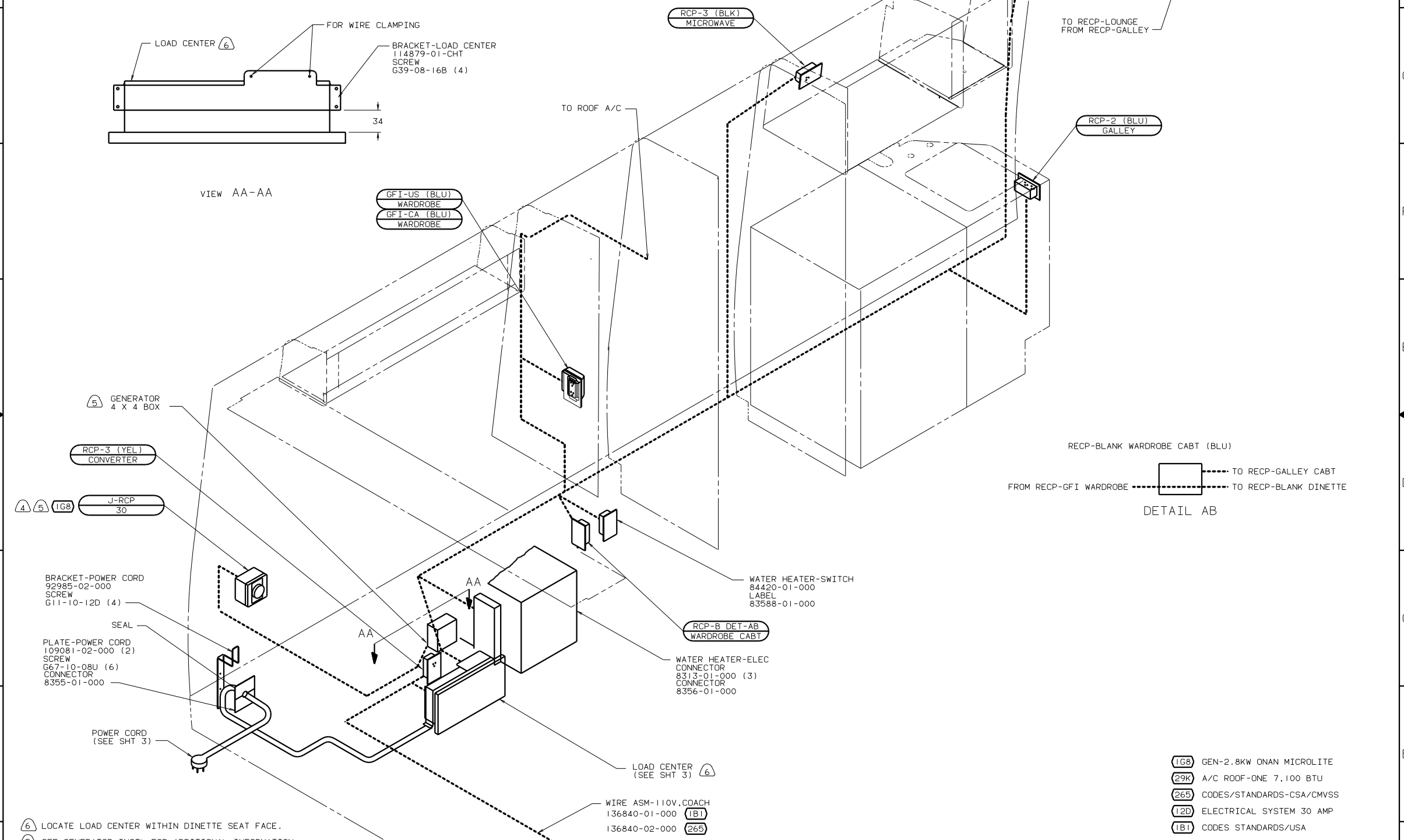
**Danger of electrical shock, burns or death.** Always remove all power sources before attempting any repair, service or diagnostic work. Power can be present from shore power, generator, inverter or battery. All power sources must be disabled and secured before performing any service.



**CAUTION**

If you lack the skills, tools or equipment to perform diagnostic or repair work leave such work to an authorized Winnebago Industries dealer or other qualified shop.

DWG NO.	FEATURE
144797-01	-----
144797-11	(1B1) (12D)
144797-15	(265) (12D)



- NOTES:
- LOCATE LOAD CENTER WITHIN DINETTE SEAT FACE.
  - SEE GENERATOR INSTL FOR ADDITIONAL INFORMATION.
  - INSTALL RCP WITH GROUND TOWARD BOTTOM OF VEHICLE.
  - ALL GROUND WIRES TO BE COVERED WITH TUBING 8041-02-000.
  - ALL WIRES ARE TO BE CLAMPED WITH CLAMP 10497-05-000 WITHIN 200 OF OUTLET BOXES, USE SCREW G67-10-12B.
  - ALL WIRES TO BE CLAMPED WITH CLAMP 10495-01-000 OR CLIP 80734-01-000 EVERY 600. USE SCREW G67-10-12B UNLESS OTHERWISE SPECIFIED.

- (1G8) GEN-2.8KW ONAN MICROLITE
- (29K) A/C ROOF-ONE 7,100 BTU
- (265) CODES/STANDARDS-CSA/CMVSS
- (12D) ELECTRICAL SYSTEM 30 AMP
- (1B1) CODES STANDARDS/USA

FOR ELECTRICAL TORQUE SPECIFICATIONS SEE DWG NO. 128783-01-000

(X-X)

FOR ELECTRICAL CALLOUTS SEE DWG NO. 121339-01-000

COPYRIGHT 2003 WINNEBAGO INDUSTRIES, INC. **WINNEBAGO** 04 222HD

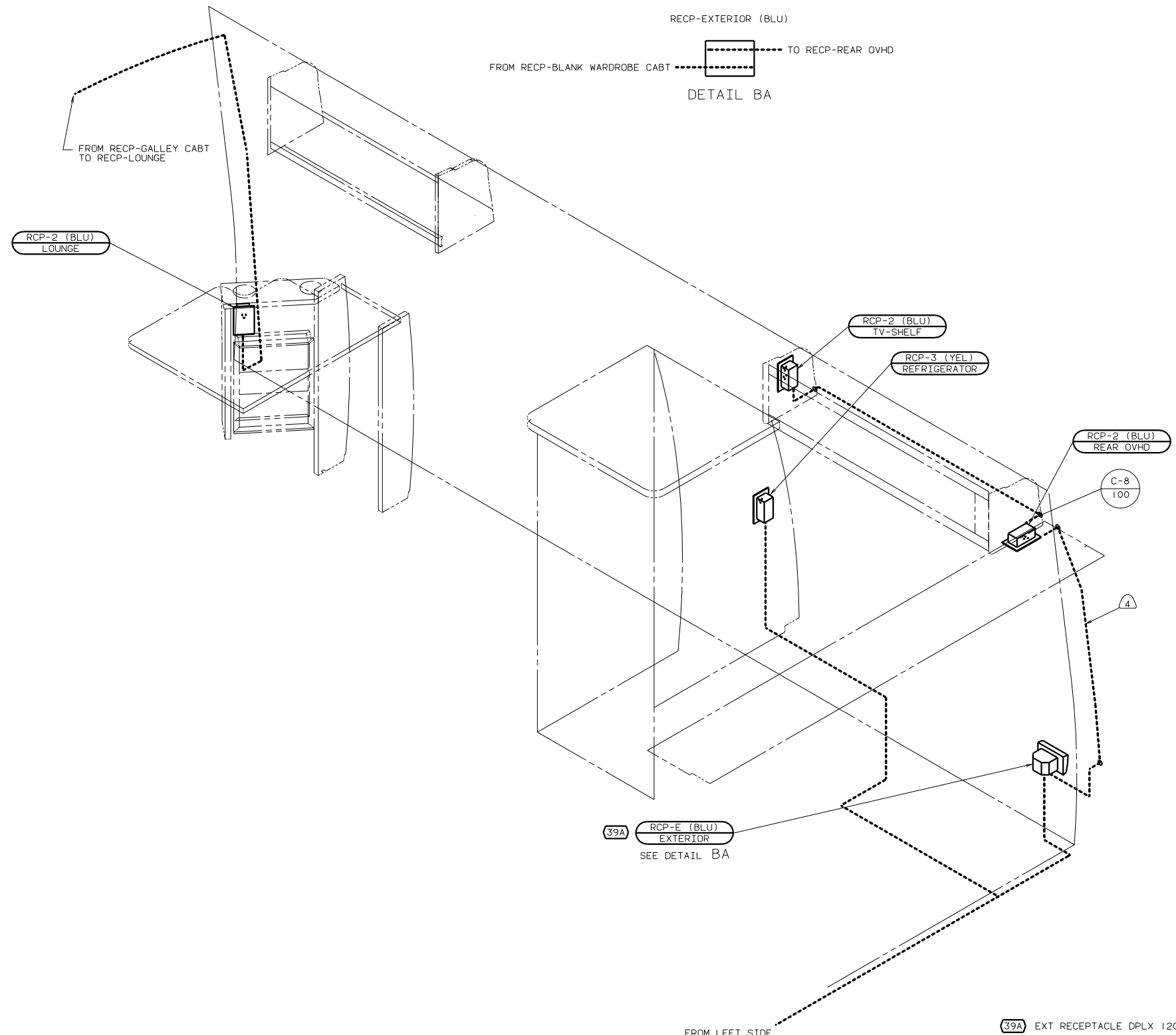
DATE	UNSPECIFIED TOLERANCES ARE:	MATERIAL:
DATE	WHOLE DIM (XX)	+
DATE	ONE-PLACE (X.X)	+
DATE	TWO-PLACE (X.XX)	+
DATE	ANGLE	+
DATE	THIRD ANGLE PROJECTION	

LAYOUT NO. \_\_\_\_\_ TITLE: WIRING INSTL-BODY, 110V(L30)

DIA # SCALE: NONE 100 NOT SCALE DRAWING SIZE DWG NO 144797

ALL DIMENSIONS ARE IN MILLIMETERS SHEET 3 OF 3

REF: 141383-A | 08/11/03



- 4 ROUTE WIRE THRU SIDEWALL.
3. ALL GROUND WIRES TO BE COVERED WITH TUBING 8041-02-000.
2. ALL WIRES ARE TO BE CLAMPED WITH CLAMP 10497-05-000 WITHIN 200 OF OUTLET BOXES, USE SCREW G67-10-12B.
1. ALL WIRES TO BE CLAMPED WITH CLAMP 10495-01-000 OR CLIP 80734-01-000 EVERY 600, USE SCREW G67-10-12B UNLESS OTHERWISE SPECIFIED.

NOTES:

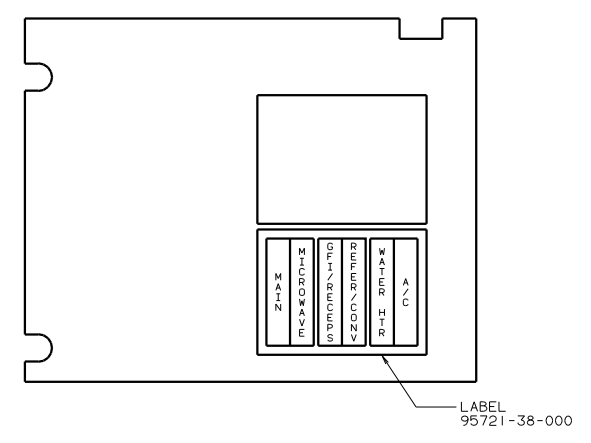
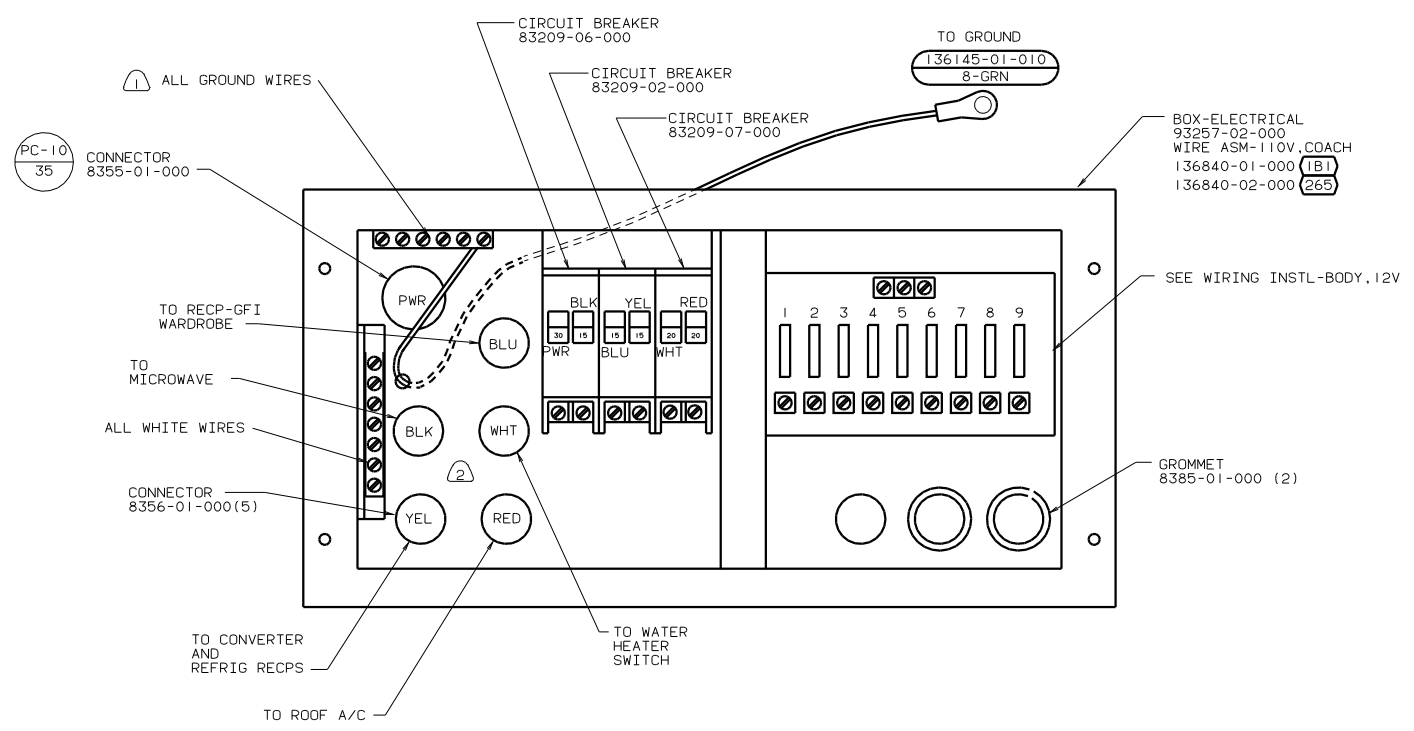
FOR ELECTRICAL TORQUE SPECIFICATIONS SEE DWG NO. 128783-01-000

FOR ELECTRICAL CALLOUTS SEE DWG NO. 121339-01-000

- 39A EXT RECEPTACLE DPLX 120VAC
- 265 CODES/STANDARDS-CSA/CMVSS
- 12D ELECTRICAL SYSTEM 30 AMP
- 1B1 CODES STANDARDS/USA

1B1 12D 265 04 222HD

TITLE: WIRING INSTL-BODY, 110V(R30)  
 DWG NO 144797  
 SHEET 2 OF 3



NOTES:  
 (2) 110V CABLES IN LOAD CENTER SHALL BE 200 LONG.  
 (1) ALL GROUND WIRES TO BE COVERED WITH TUBING 8041-02-000.

FOR ELECTRICAL TORQUE SPECIFICATIONS SEE DWG NO. 128783-01-000

FOR ELECTRICAL CALLOUTS SEE DWG NO. 121339-01-000

(265) CODES/STANDARDS-CSA/CMVSS  
 (12D) ELECTRICAL SYSTEM 30 AMP  
 (1B1) CODES STANDARDS/USA  
 (1B1) (12D) (265) 04 222HD

TITLE: WIRING INSTL-BODY.110V(LC30)  
 DWG No 144797  
 SHEET 3 OF 3