



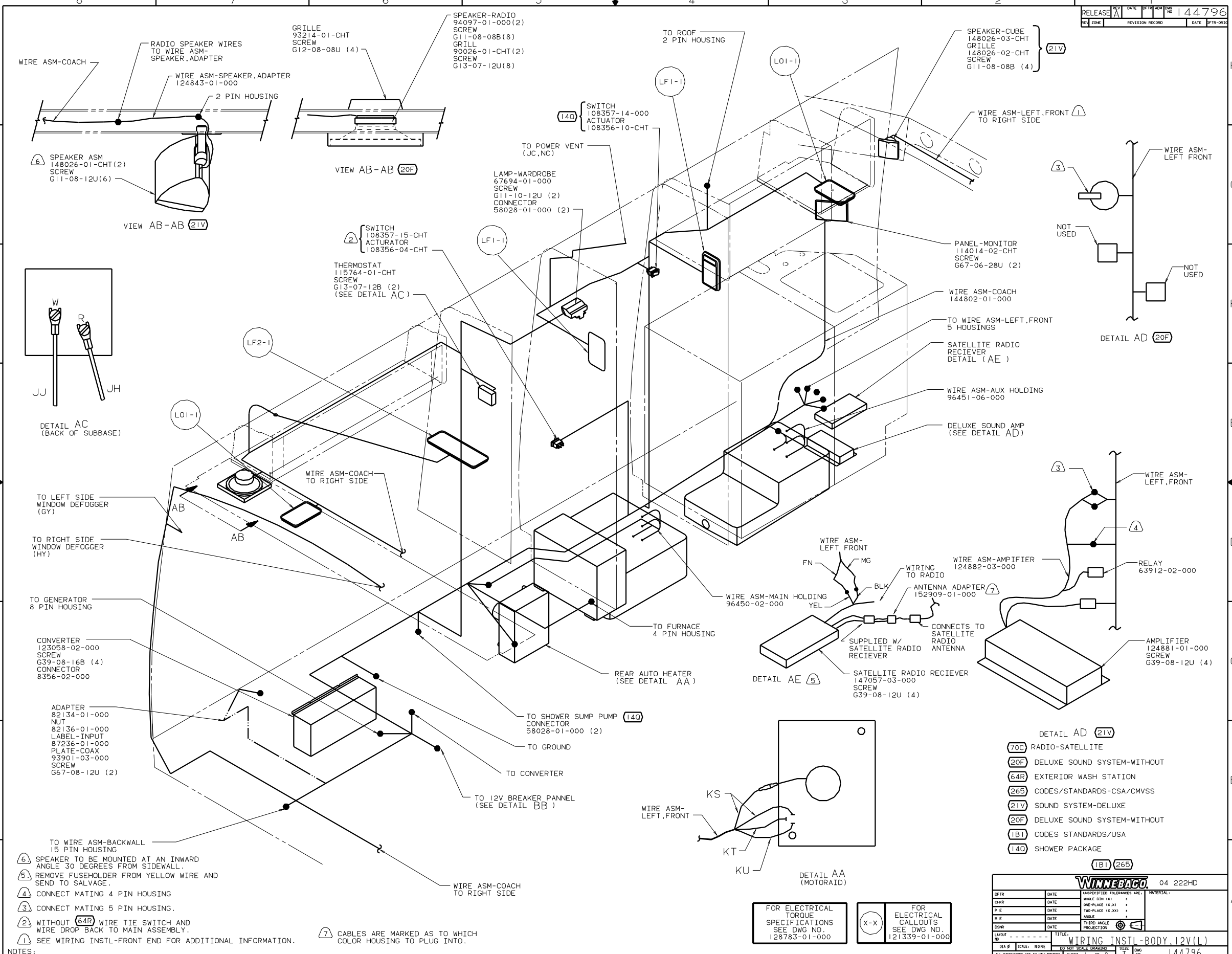
DANGER

Danger of electrical shock, burns or death. Always remove all power sources before attempting any repair, service or diagnostic work. Power can be present from shore power, generator, inverter or battery. All power sources must be disabled and secured before performing any service.

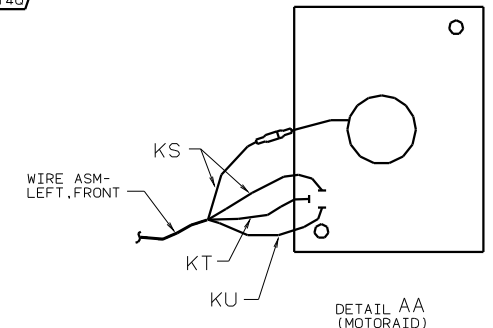
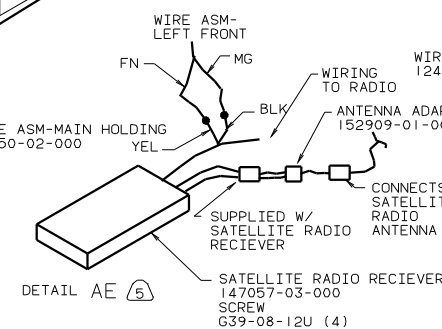
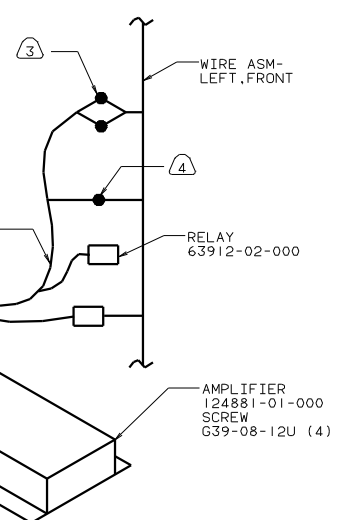
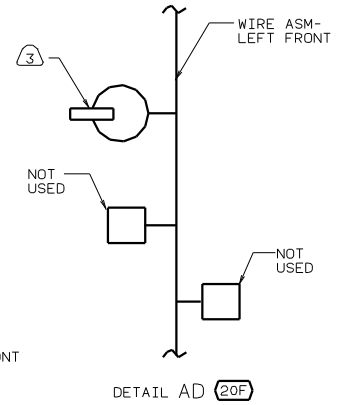


CAUTION

If you lack the skills, tools or equipment to perform diagnostic or repair work leave such work to an authorized Winnebago Industries dealer or other qualified shop.



- NOTES:
- ⑥ SPEAKER TO BE MOUNTED AT AN INWARD ANGLE 30 DEGREES FROM SIDEWALL.
 - ⑤ REMOVE FUSEHOLDER FROM YELLOW WIRE AND SEND TO SALVAGE.
 - ④ CONNECT MATING 4 PIN HOUSING
 - ③ CONNECT MATING 5 PIN HOUSING.
 - ② WITHOUT (64R) WIRE TIE SWITCH AND WIRE DROP BACK TO MAIN ASSEMBLY.
 - ① SEE WIRING INSTL-FRONT END FOR ADDITIONAL INFORMATION.
 - ⑦ CABLES ARE MARKED AS TO WHICH COLOR HOUSING TO PLUG INTO.



- DETAIL AD (21V)
- ⑦0C RADIO-SATELLITE
 - ②0F DELUXE SOUND SYSTEM-WITHOUT
 - ⑥4R EXTERIOR WASH STATION
 - ②65 CODES/STANDARDS-CSA/CMVSS
 - ②1V SOUND SYSTEM-DELUXE
 - ②0F DELUXE SOUND SYSTEM-WITHOUT
 - ①B1 CODES STANDARDS/USA
 - ①40 SHOWER PACKAGE

FOR ELECTRICAL TORQUE SPECIFICATIONS SEE DWG NO. 128783-01-000

X-X

FOR ELECTRICAL CALLOUTS SEE DWG NO. 121339-01-000

LAYOUT NO.		TITLE: WIRING INSTL-BODY, 12V (L)	
DATE	UNSPECIFIED TOLERANCES ARE:	MATERIAL:	
DATE	WHOLE DIM (XX)	ONE-PLACE (X, XX)	
DATE	TWO-PLACE (X, XX)	THIRD ANGLE PROJECTION	
DATE	THIRD ANGLE PROJECTION	REF: 141382-B	
ALL DIMENSIONS ARE IN MILLIMETERS		SHEET NO. 144796	

