

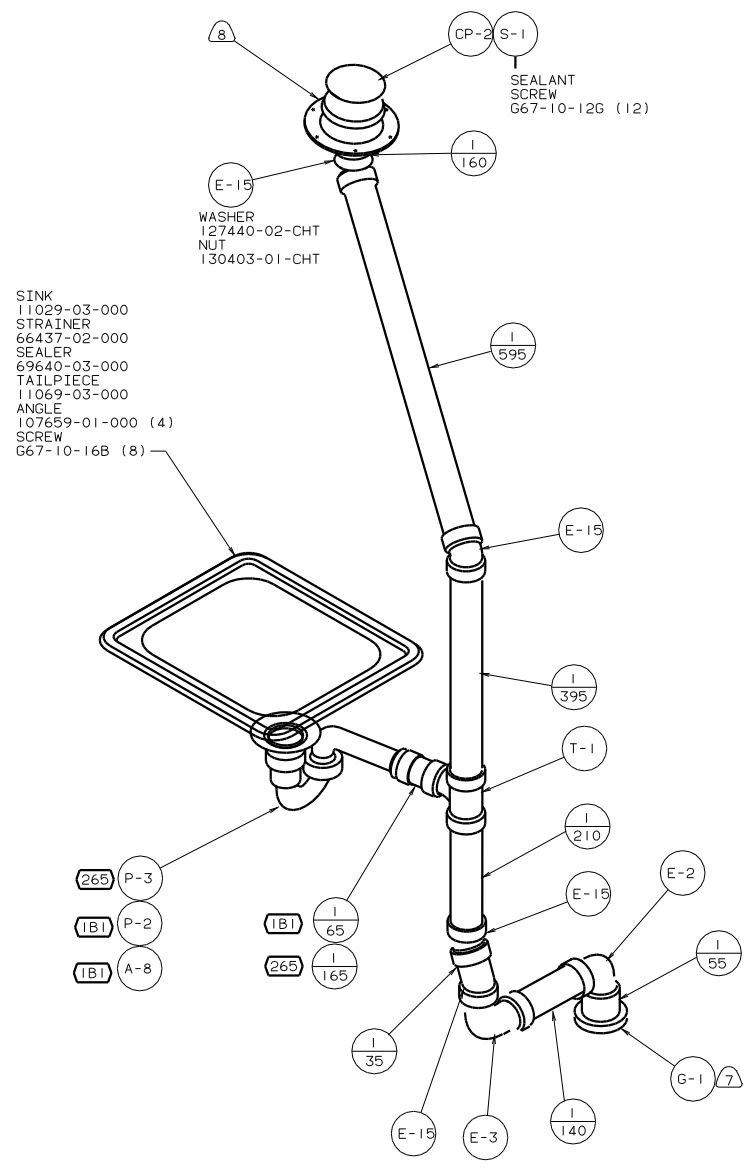
- NOTES:
1. SLOPE OF HORIZONTAL PIPING TO BE 6 PER 305.
  2. SLOPE OF TRAP ARM MUST BE 6 PER 305.
  3. ALL PIPE AND FITTINGS TO BE ASSEMBLED WITH SOLVENT 4020-01-000.
  4. ALL EXTERIOR OPENINGS AROUND PIPE TO BE SEALED WITH 69637-01-000.
  5. EXPOSED PIPE ABOVE ROOF TO BE PAINTED 37163-01-000.
  6. FOR CAN UNITS EACH HOLDING TANK SHALL HAVE A CSA APPROVAL STAMPED NEAR THE IAMPO APPROVAL.

7. SEE DWG 61607-01-000 FOR INSTALLATION OF GROMMET.
8. VENT PIPE MUST PROJECT 51 MIN AND 63.5 MAX ABOVE ROOF FOR PROPER FIT AND FUNCTION.
9. SECURE PIPES TO CABINET USING WIRE TIE 108046-02-000 AND SCREW 667-10-12U (8).
10. PLACE GASKET BETWEEN FLOOR AND BOTTOM OF TANK.

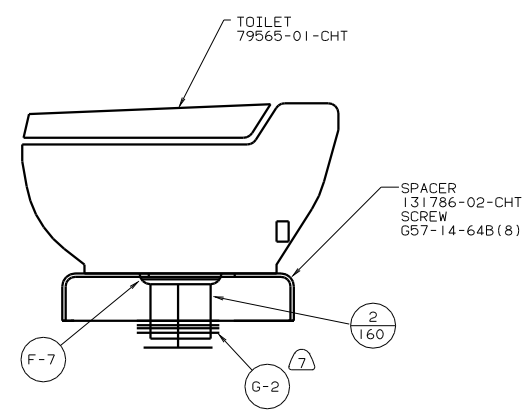
FOR  
DRAINAGE  
CALLOUTS  
SEE DWG NO.  
116229-01-000

- (265) CODES/STANDARDS-CSA/CMVSS
- (1B1) CODES STANDARDS/USA
- (1A7) SHOWER PACKAGE-WITHOUT
- (140) SHOWER PACKAGE

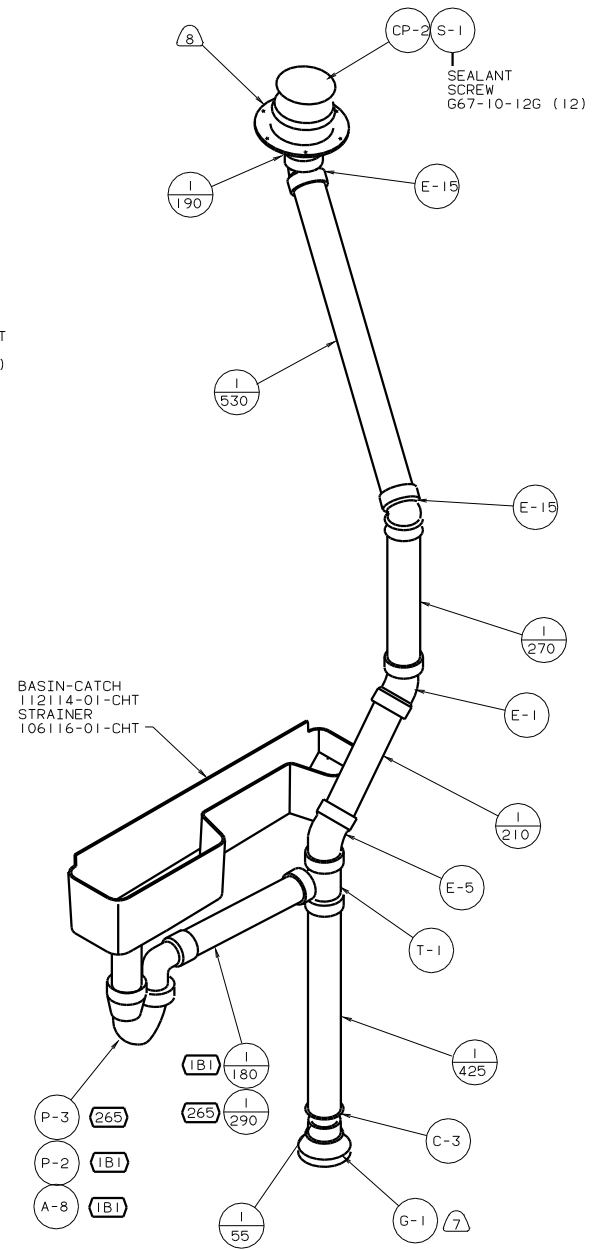
COPYRIGHT 2003 WINNEBAGO INDUSTRIES, INC.		<b>WINNEBAGO</b>		03 222HD
DWTR	DATE	UNSPECIFIED TOLERANCES ARE:	MATERIAL:	
DWR	DATE	WHOLE DIM (X.X)	+	
P E	DATE	ONE-PLACE (X.XX)	+	
M E	DATE	TWO-PLACE (X.XXX)	+	
DWR	DATE	ANGLE	+	
	DATE	THIRD ANGLE PROJECTION		
LAYOUT NO	222HD	TITLE	DRAINAGE SYSTEM INSTL	
DIA Ø	SCALE: NONE	DO NOT SCALE DIMENSIONS	SIZE	DWG NO
ALL DIMENSIONS ARE IN MILLIMETERS		SHEET	1 OF 3	141597
REF: 135954 C		08/11/03		



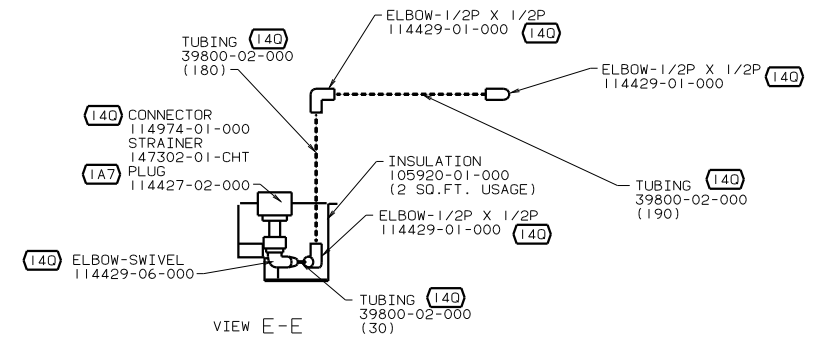
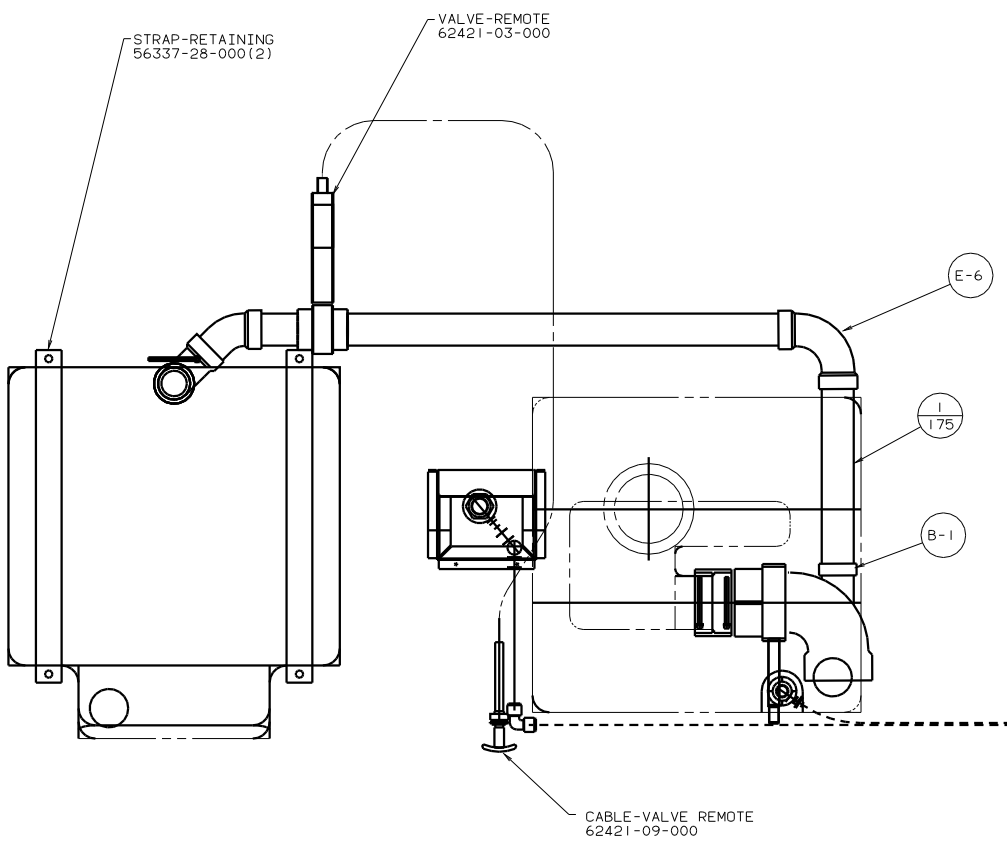
DETAIL A



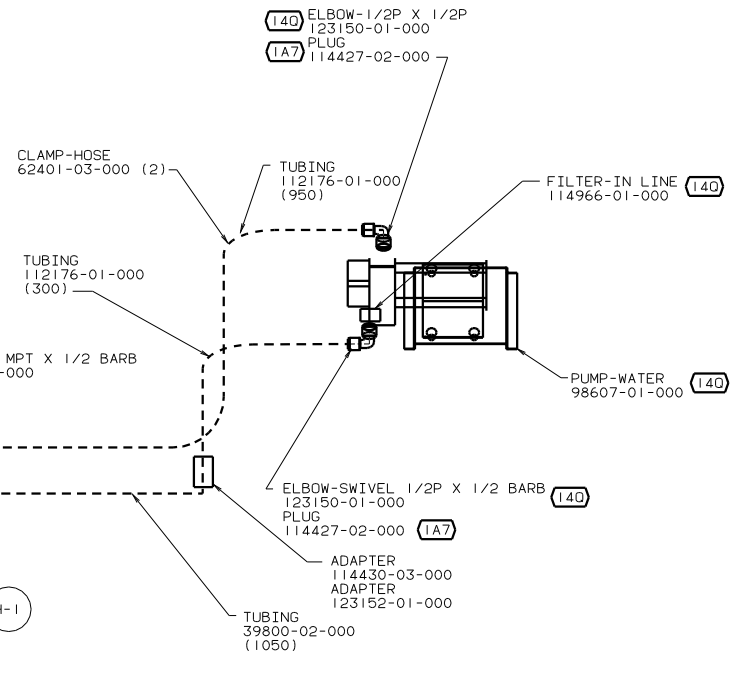
DETAIL B



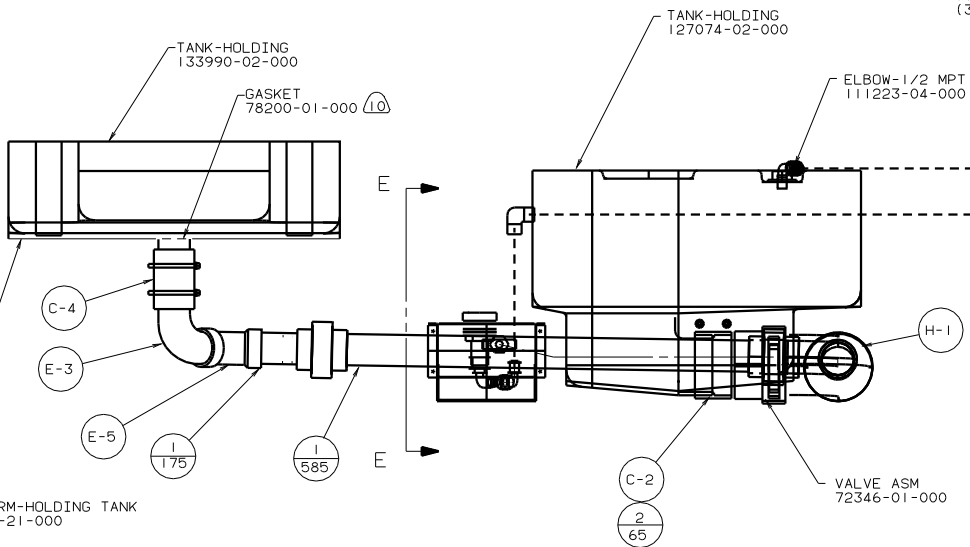
DETAIL C

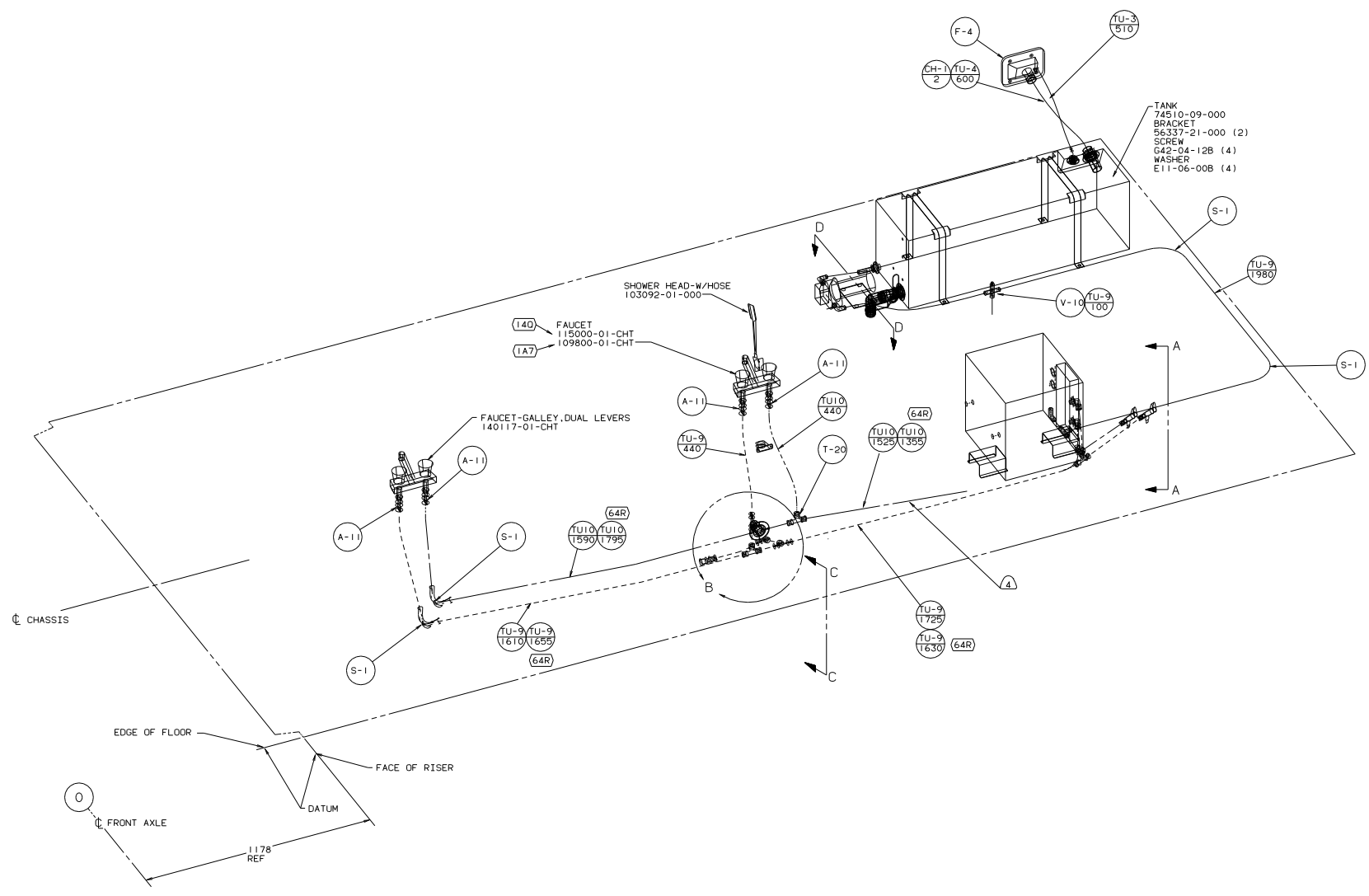


VIEW D-D



VIEW F-F





5. TRI MARK "KEY ONE  
KEY: P/N 138288-01 THRU -10  
WATERFILL: P/N 138637-53-000 THRU -009.
4. WRAP WATER LINES WITH INSULATION 105290-01-000 ANY PLACE THEY  
ARE IN CONTACT WITH MOTOR AID LINES. FASTEN WITH WIRE TIES.
3. ALL TUBING TO BE SECURED AT 1200 INTERVALS MAXIMUM WITH  
CLAMP 10495-01-000 OR CLIP 91951-01-000 AND SCREW G67-10-12B.
2. TUBING TO BE INSTALLED WITH SUFFICIENT SLOPE TO  
PROVIDE DRAINAGE TO NEAREST VALVE.
1. PLASTIC FITTINGS TO BE SEALED WITH SEALANT 84456-01-000

- (64R) EXTERIOR WASH STATION
- (140) SHOWER PACKAGE
- (1A7) SHOWER PACKAGE-WITHOUT

FOR  
WATER  
CALLOUTS  
SEE DNG NO  
116230-01-000

LEGEND	
HOT	———
COLD	-----

WINNERACO 03 222HD			
OPTR	DATE	UNSPECIFIED TOLERANCES ARE:	MATERIAL:
DRWR	DATE	HOLE DIM (X)	" F
P/E	DATE	ONE-PLACE (X.X)	"
W/E	DATE	TWO-PLACE (X.XX)	"
DATE	DATE	ANGLE	"
DATE	DATE	THIRD ANGLE	"
DATE	DATE	PROJECTION	"
LANTR	NO	TITLE:	
0C222HD		WATER SYSTEM INSTL	
DIA #	SCALE: NONE	DO NOT SCALE DRAWING	SHEET 1
ALL DIMENSIONS ARE IN MILLIMETERS	OF 2	1 E	NO
	2	03/31/04	REF: 133332 J I

