



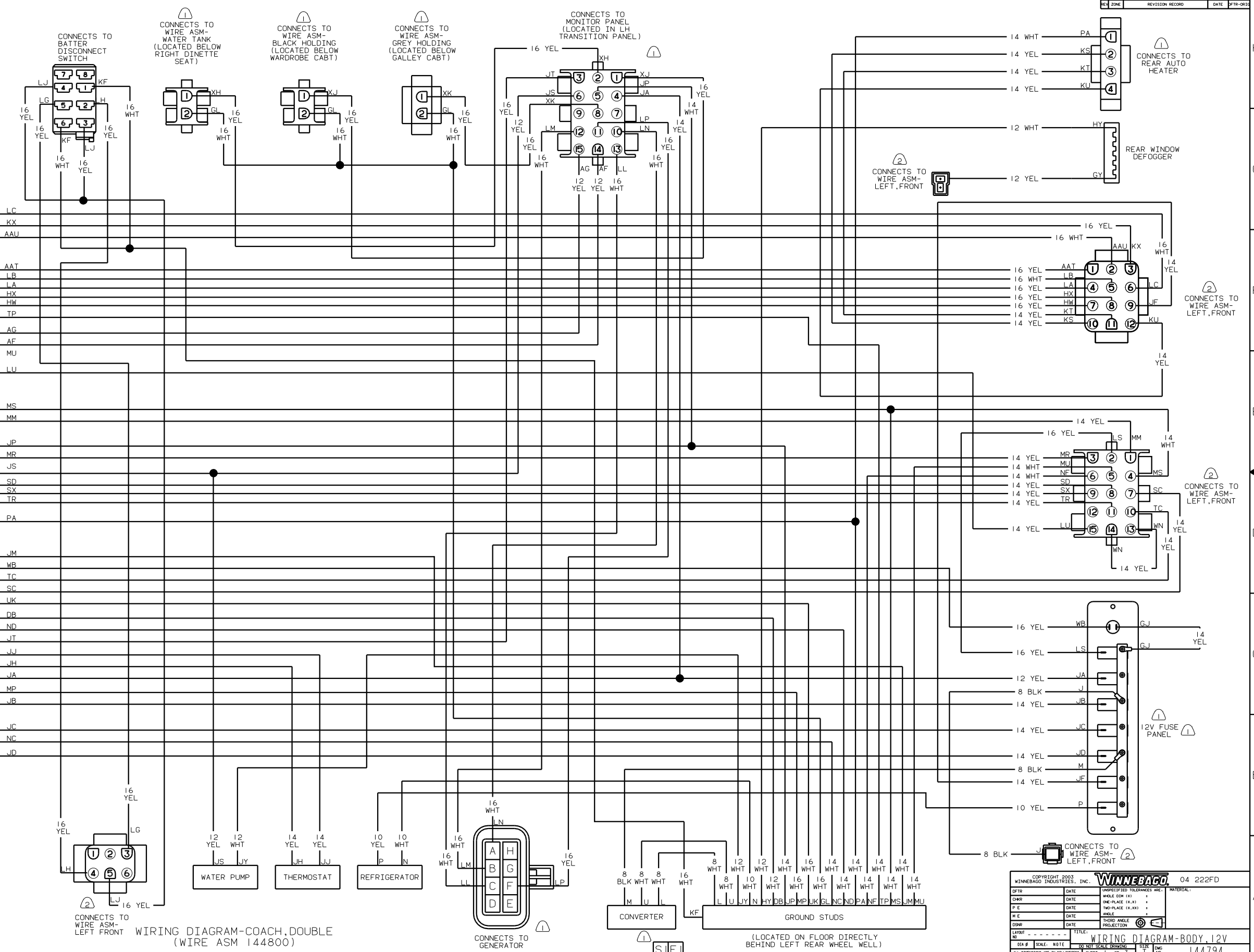
**DANGER**

**Danger of electrical shock, burns or death.** Always remove all power sources before attempting any repair, service or diagnostic work. Power can be present from shore power, generator, inverter or battery. All power sources must be disabled and secured before performing any service.



**CAUTION**

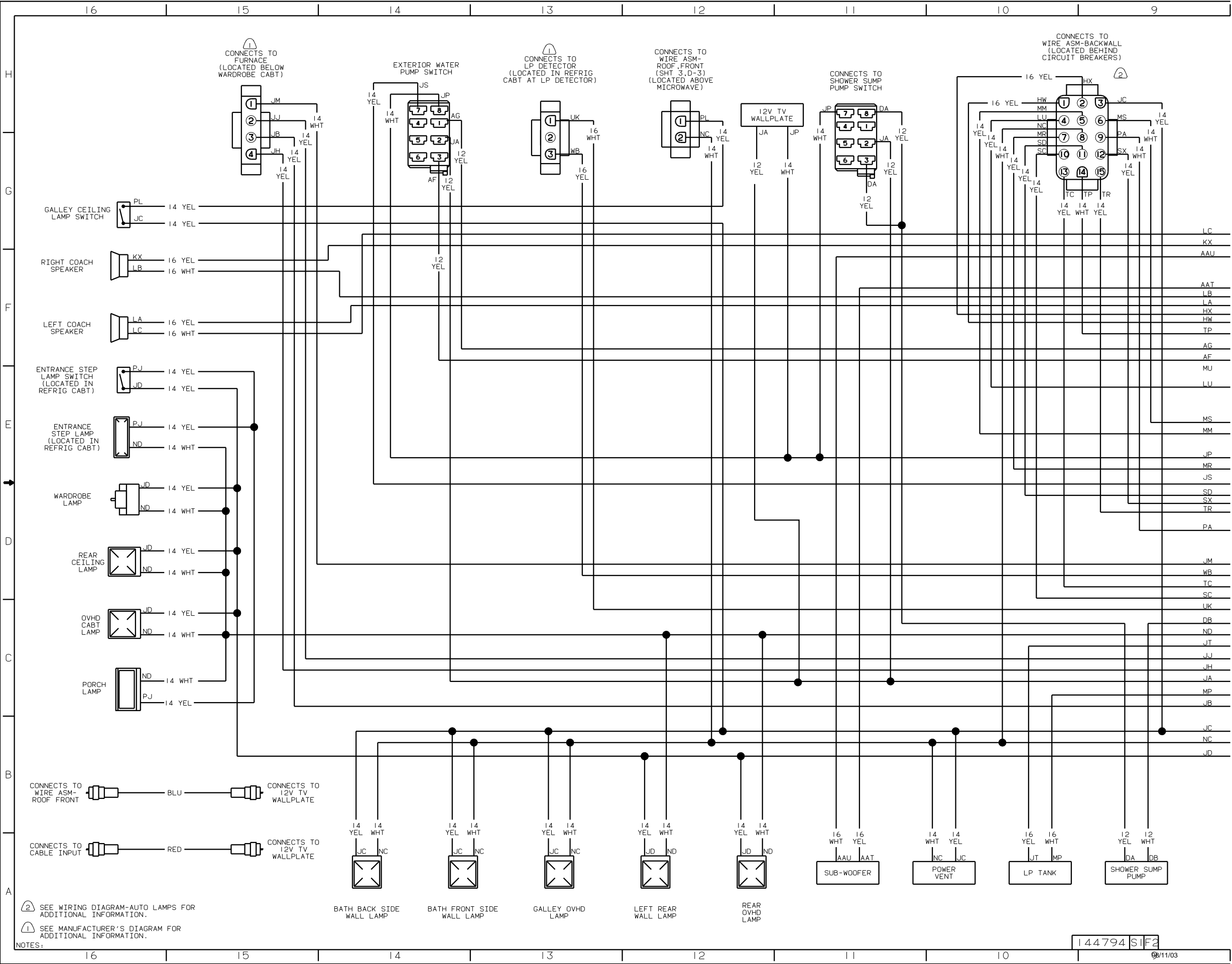
If you lack the skills, tools or equipment to perform diagnostic or repair work leave such work to an authorized Winnebago Industries dealer or other qualified shop.



WIRING DIAGRAM-COACH, DOUBLE  
 (WIRE ASM 144800)

(LOCATED ON FLOOR DIRECTLY  
 BEHIND LEFT REAR WHEEL WELL)

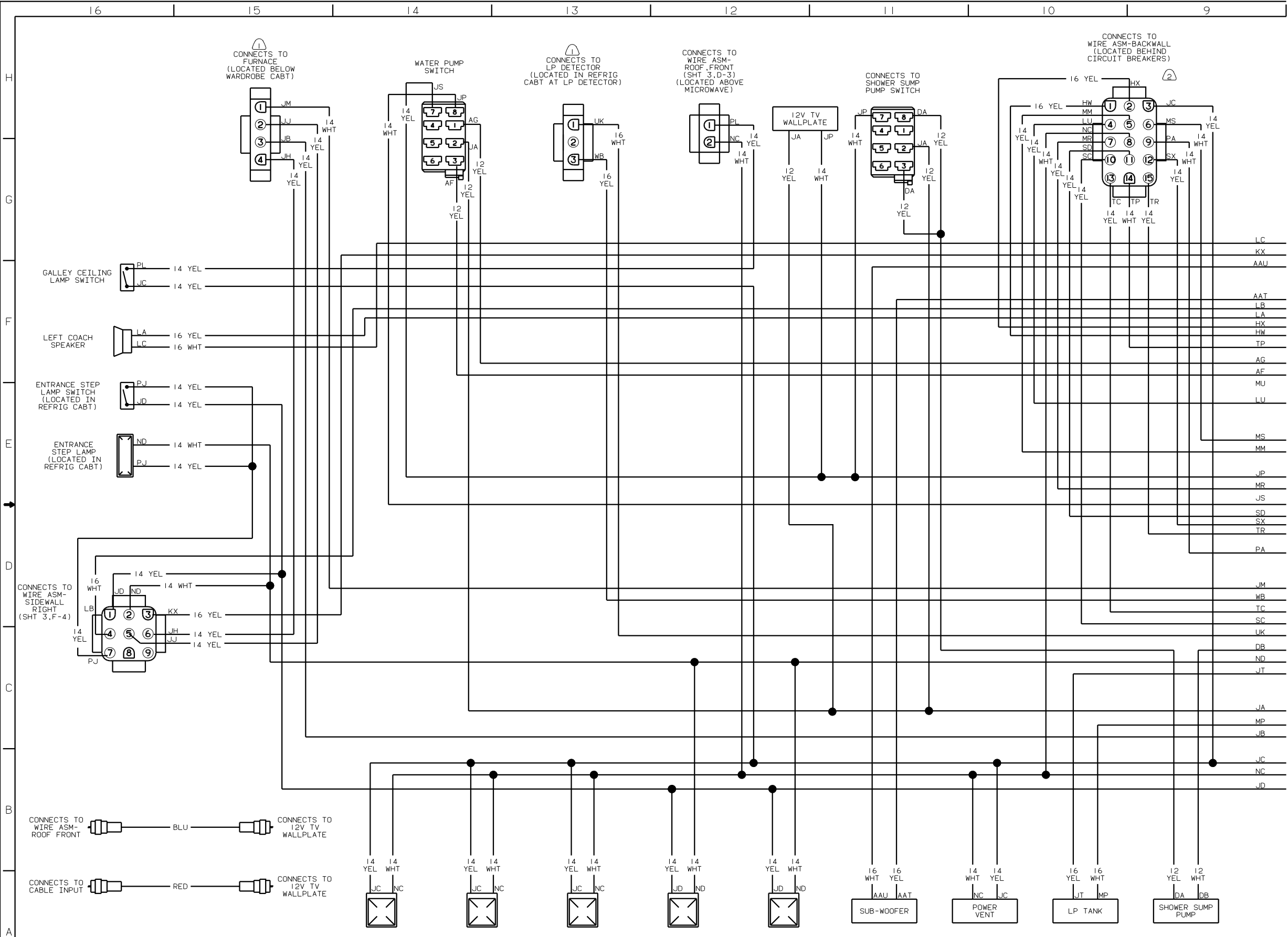
COPYRIGHT 2003 WINNEBAGO INDUSTRIES, INC. <b>WINNEBAGO</b> 04 222FD	
DFTD	DATE UNDESIGNED TOLERANCES ARE:
CHWR	DATE WHOLE DIM (X.X) ±
P E	DATE ONE-PLACE (X.X) ±
M E	DATE TWO-PLACE (X.XX) ±
DNDR	DATE ANGLE
LAYOUT NO.	DATE THIRD ANGLE PROJECTION
TITLE: WIRING DIAGRAM-BODY, 12V	
DIA #	SCALE: NOTE
ALL DIMENSIONS ARE IN MILLIMETERS	SHEET 1 OF 3
REF: 141391 A	08/11/03



② SEE WIRING DIAGRAM-AUTO LAMPS FOR ADDITIONAL INFORMATION.  
 ① SEE MANUFACTURER'S DIAGRAM FOR ADDITIONAL INFORMATION.

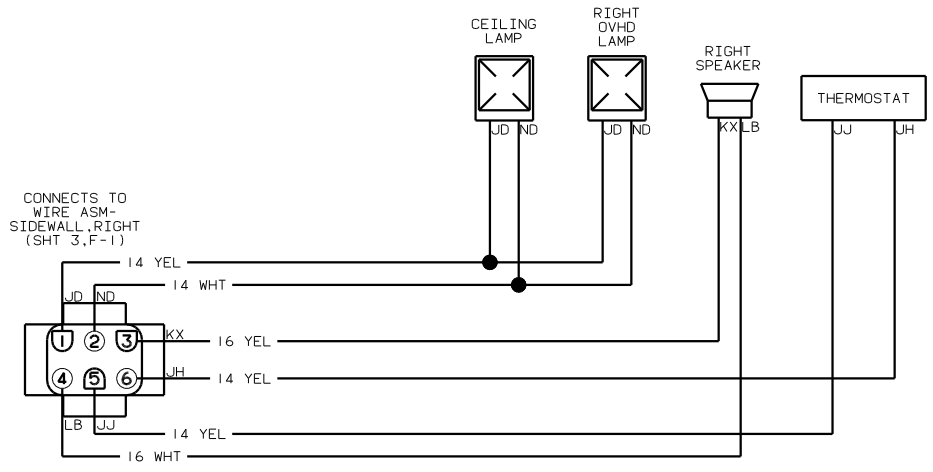
NOTES:



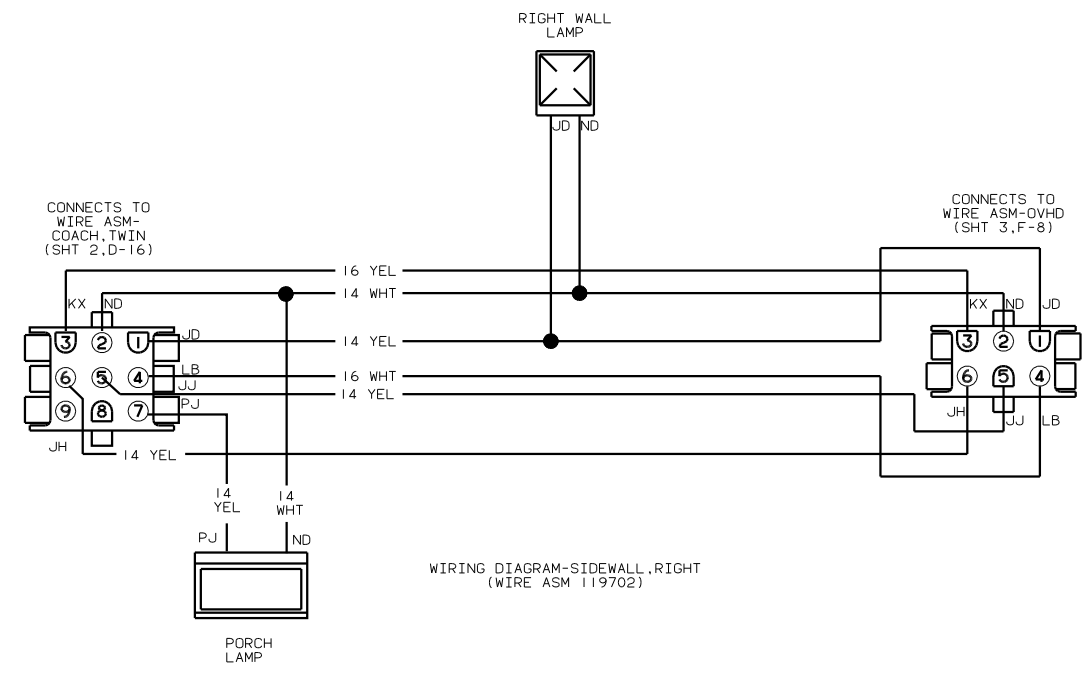


② SEE WIRING DIAGRAM-AUTO LAMPS FOR ADDITIONAL INFORMATION.  
 ① SEE MANUFACTURER'S DIAGRAM FOR ADDITIONAL INFORMATION.

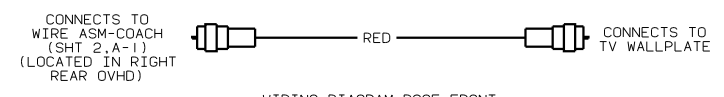
NOTES:



WIRING DIAGRAM-OVHD (WIRE ASM 119701)



WIRING DIAGRAM-SIDEWALL, RIGHT (WIRE ASM 119702)



WIRING DIAGRAM-ROOF, FRONT (WIRE ASM 133878)