



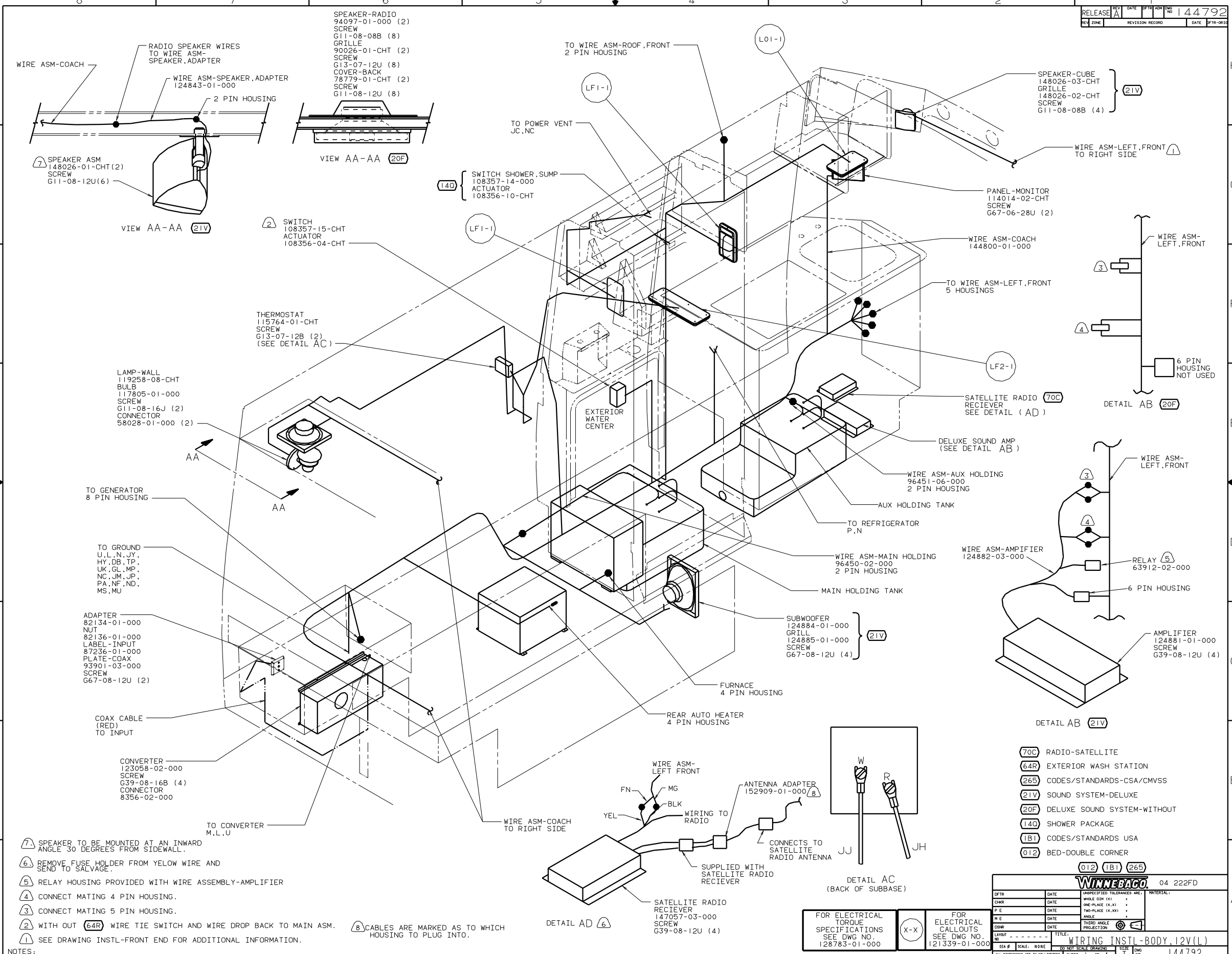
DANGER

Danger of electrical shock, burns or death. Always remove all power sources before attempting any repair, service or diagnostic work. Power can be present from shore power, generator, inverter or battery. All power sources must be disabled and secured before performing any service.



CAUTION

If you lack the skills, tools or equipment to perform diagnostic or repair work leave such work to an authorized Winnebago Industries dealer or other qualified shop.



- NOTES:
7. SPEAKER TO BE MOUNTED AT AN INWARD ANGLE 30 DEGREES FROM SIDEWALL.
 6. REMOVE FUSE HOLDER FROM YELOW WIRE AND SEND TO SALVAGE.
 5. RELAY HOUSING PROVIDED WITH WIRE ASSEMBLY-AMPLIFIER
 4. CONNECT MATING 4 PIN HOUSING.
 3. CONNECT MATING 5 PIN HOUSING.
 2. WITH OUT (64R) WIRE TIE SWITCH AND WIRE DROP BACK TO MAIN ASM.
 1. SEE DRAWING INSTL-FRONT END FOR ADDITIONAL INFORMATION.

(8) CABLES ARE MARKED AS TO WHICH HOUSING TO PLUG INTO.

FOR ELECTRICAL TORQUE SPECIFICATIONS SEE DWG NO. 128783-01-000

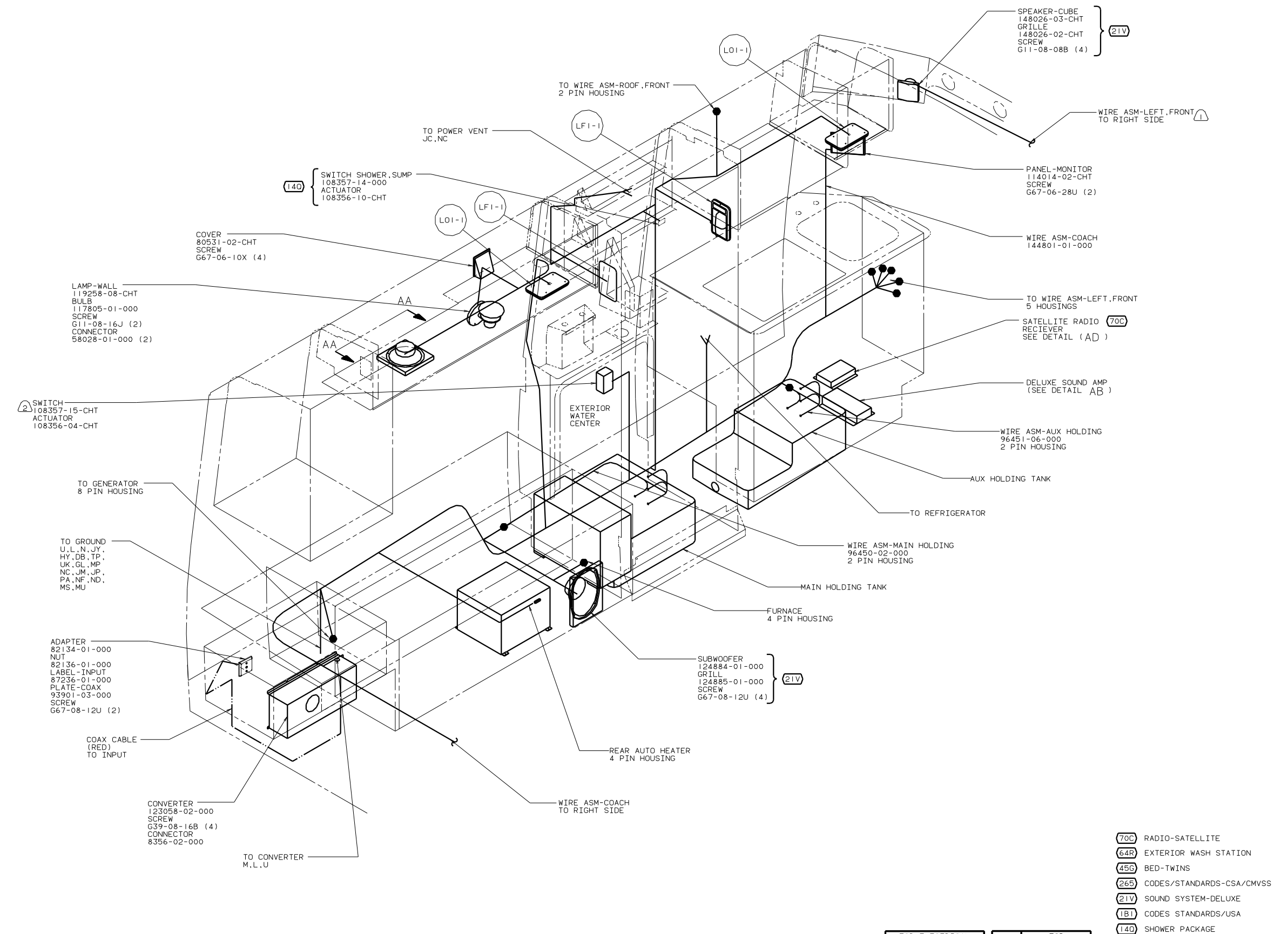
FOR ELECTRICAL CALLOUTS SEE DWG NO. 121339-01-000

- (70C) RADIO-SATELLITE
- (64R) EXTERIOR WASH STATION
- (265) CODES/STANDARDS-CSA/CMVSS
- (21V) SOUND SYSTEM-DELUXE
- (20F) DELUXE SOUND SYSTEM-WITHOUT
- (140) SHOWER PACKAGE
- (1B1) CODES/STANDARDS USA
- (012) BED-DOUBLE CORNER

04 222FD
WINNEBAGO

DATE	UNSPECIFIED TOLERANCES ARE:	MATERIAL:
DATE	WHOLE DIM (XX)	
DATE	ONE-PLACE (X.X)	
DATE	TWO-PLACE (X.XX)	
DATE	ANGLE	
DATE	THIRD ANGLE PROJECTION	

LAYOUT NO. _____ TITLE: WIRING INSTL-BODY, 12V (L)
 DIA # SCALE: NONE DO NOT SCALE DRAWING SHEET NO. 144792
 ALL DIMENSIONS ARE IN MILLIMETERS SHEET OF 4



- (70C) RADIO-SATELLITE
- (64R) EXTERIOR WASH STATION
- (45G) BED-TWINS
- (265) CODES/STANDARDS-CSA/CMVSS
- (21V) SOUND SYSTEM-DELUXE
- (1B1) CODES STANDARDS/USA
- (140) SHOWER PACKAGE

NOTES:

(2) WITHOUT (64R) WIRE TIE SWITCH AND WIRE DROP BACK TO MAIN ASM.

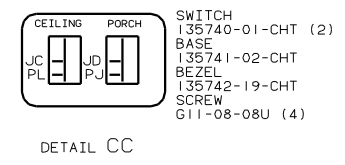
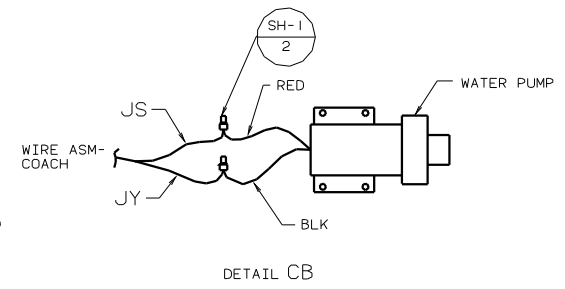
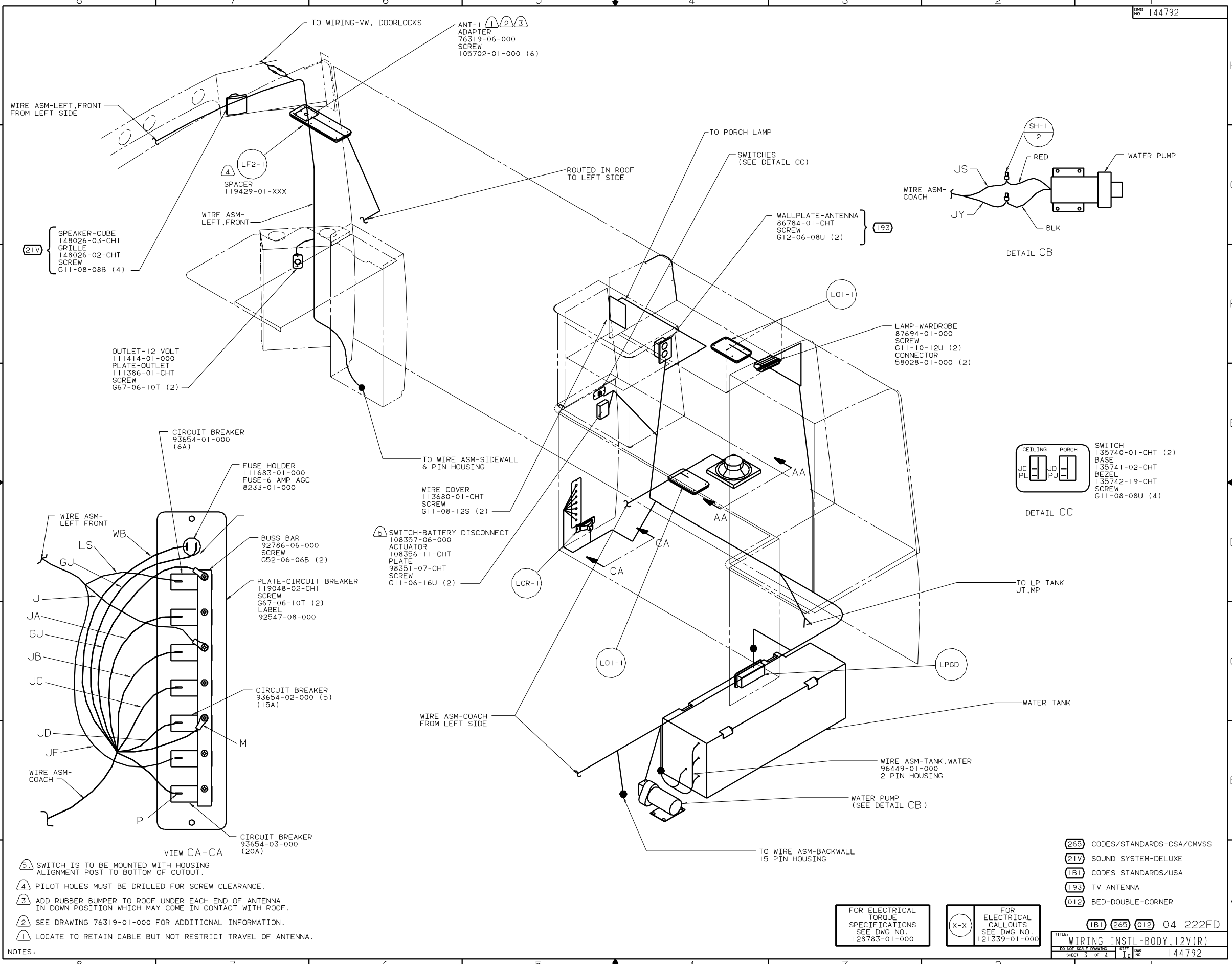
(1) SEE DRAWING INSTL-FRONT END FOR ADDITIONAL INFORMATION.

FOR ELECTRICAL TORQUE SPECIFICATIONS SEE DWG NO. 128783-01-000	(X-X)	FOR ELECTRICAL CALLOUTS SEE DWG NO. 121339-01-000
--	-------	---

(1B1) (265) (45G) 04 222FD

TITLE: WIRING INSTL-BODY, 12V(L)

DRW NO	SCALE	ORIGIN	SHEET	DWG NO
			2 OF 4	144792



- (21V) SPEAKER-CUBE 148026-03-CHT
- GRILLE 148026-02-CHT
- SCREW G11-08-08B (4)

- OUTLET-12 VOLT 111414-01-000
- PLATE-OUTLET 111386-01-CHT
- SCREW G67-06-10T (2)

- CIRCUIT BREAKER 93654-01-000 (6A)

- FUSE HOLDER 111683-01-000
- FUSE-6 AMP AGC 8233-01-000

- BUSS BAR 92786-06-000
- SCREW G52-06-06B (2)

- PLATE-CIRCUIT BREAKER 119048-02-CHT
- SCREW G67-06-10T (2)
- LABEL 92547-08-000

- CIRCUIT BREAKER 93654-02-000 (5)
- (15A)

- CIRCUIT BREAKER 93654-03-000 (20A)

- (5) SWITCH-BATTERY DISCONNECT 108357-06-000
- ACTUATOR 108356-11-CHT
- PLATE 98351-07-CHT
- SCREW G11-06-16U (2)

- TO WIRE ASM-SIDEWALL 6 PIN HOUSING

- WIRE COVER 113680-01-CHT
- SCREW G11-08-12S (2)

- WALLPLATE-ANTENNA 86784-01-CHT
- SCREW G12-06-08U (2)

- LAMP-WARDROBE 87694-01-000
- SCREW G11-10-12U (2)
- CONNECTOR 58028-01-000 (2)

- WIRE ASM-TANK, WATER 96449-01-000
- 2 PIN HOUSING

- WATER PUMP (SEE DETAIL CB)

- TO WIRE ASM-BACKWALL 15 PIN HOUSING

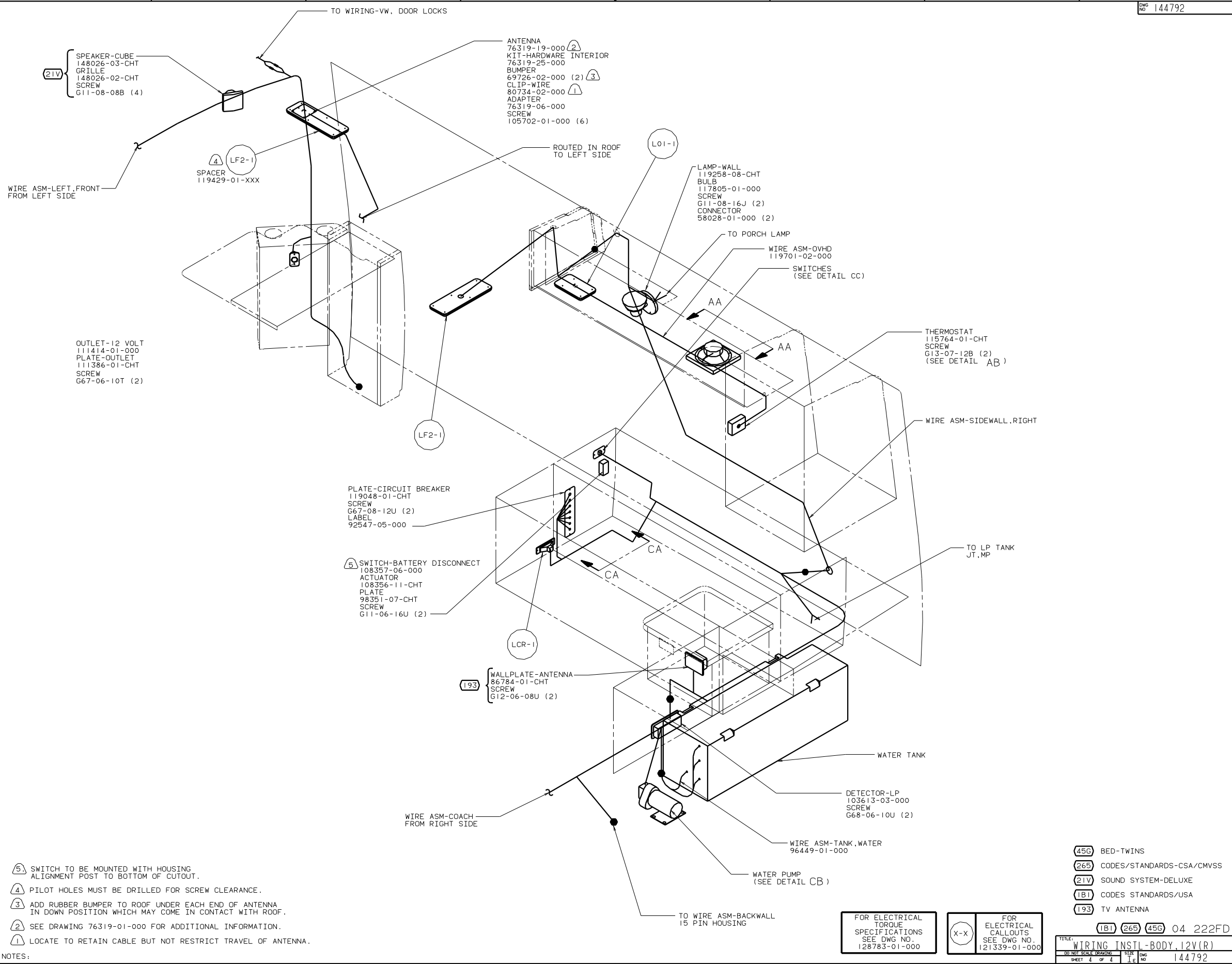
- NOTES:
- (5) SWITCH IS TO BE MOUNTED WITH HOUSING ALIGNMENT POST TO BOTTOM OF CUTOUT.
 - (4) PILOT HOLES MUST BE DRILLED FOR SCREW CLEARANCE.
 - (3) ADD RUBBER BUMPER TO ROOF UNDER EACH END OF ANTENNA IN DOWN POSITION WHICH MAY COME IN CONTACT WITH ROOF.
 - (2) SEE DRAWING 76319-01-000 FOR ADDITIONAL INFORMATION.
 - (1) LOCATE TO RETAIN CABLE BUT NOT RESTRICT TRAVEL OF ANTENNA.

- (265) CODES/STANDARDS-CSA/CMVSS
- (21V) SOUND SYSTEM-DELUXE
- (1B1) CODES STANDARDS/USA
- (193) TV ANTENNA
- (012) BED-DOUBLE-CORNER

FOR ELECTRICAL TORQUE SPECIFICATIONS SEE DWG NO. 128783-01-000

FOR ELECTRICAL CALLOUTS SEE DWG NO. 121339-01-000

TITLE: WIRING INSTL-BODY, 12V(R)
 SHEET 3 OF 4
 I.E. No 144792



(21V) SPEAKER-CUBE
148026-03-CHT
GRILLE
148026-02-CHT
SCREW
G11-08-08B (4)

(4) Lf2-1
SPACER
119429-01-XXX

ANTENNA
76319-19-000 (2) (2)
KIT-HARDWARE INTERIOR
76319-25-000
BUMPER
69726-02-000 (2) (3)
CLIP-WIRE
80734-02-000 (1)
ADAPTER
76319-06-000
SCREW
105702-01-000 (6)

LAMP-WALL
119258-08-CHT
BULB
117805-01-000
SCREW
G11-08-16J (2)
CONNECTOR
58028-01-000 (2)

OUTLET-12 VOLT
111414-01-000
PLATE-OUTLET
111386-01-CHT
SCREW
G67-06-10T (2)

PLATE-CIRCUIT BREAKER
119048-01-CHT
SCREW
G67-08-12U (2)
LABEL
92547-05-000

(5) SWITCH-BATTERY DISCONNECT
108357-06-000
ACTUATOR
108356-11-CHT
PLATE
98351-07-CHT
SCREW
G11-06-16U (2)

(193) WALLPLATE-ANTENNA
86784-01-CHT
SCREW
G12-06-08U (2)

THERMOSTAT
115764-01-CHT
SCREW
G13-07-12B (2)
(SEE DETAIL AB)

TO PORCH LAMP
WIRE ASM-OVHD
119701-02-000

SWITCHES
(SEE DETAIL CC)

WIRE ASM-SIDEWALL, RIGHT

TO LP TANK
JT, MP

WATER TANK

DETECTOR-LP
103613-03-000
SCREW
G68-06-10U (2)

WIRE ASM-TANK, WATER
96449-01-000

WATER PUMP
(SEE DETAIL CB)

TO WIRE ASM-BACKWALL
15 PIN HOUSING

WIRE ASM-COACH
FROM RIGHT SIDE

WIRE ASM-LEFT, FRONT
FROM LEFT SIDE

- NOTES:
- (5) SWITCH TO BE MOUNTED WITH HOUSING ALIGNMENT POST TO BOTTOM OF CUTOUT.
 - (4) PILOT HOLES MUST BE DRILLED FOR SCREW CLEARANCE.
 - (3) ADD RUBBER BUMPER TO ROOF UNDER EACH END OF ANTENNA IN DOWN POSITION WHICH MAY COME IN CONTACT WITH ROOF.
 - (2) SEE DRAWING 76319-01-000 FOR ADDITIONAL INFORMATION.
 - (1) LOCATE TO RETAIN CABLE BUT NOT RESTRICT TRAVEL OF ANTENNA.

FOR ELECTRICAL TORQUE SPECIFICATIONS SEE DWG NO. 128783-01-000

FOR ELECTRICAL CALLOUTS SEE DWG NO. 121339-01-000

- (45G) BED-TWINS
- (265) CODES/STANDARDS-CSA/CMVSS
- (21V) SOUND SYSTEM-DELUXE
- (1B1) CODES STANDARDS/USA
- (193) TV ANTENNA

(1B1) (265) (45G) 04 222FD

TITLE: WIRING INSTL-BODY, 12V(R)	
DO NOT SCALE DRAWING	FILE NO
SHEET 4 OF 4	144792