

CP-2 S-1
SEALANT
SCREW
G67-10-12G (12)

F-7

H-1

ELBOW-1/2P X 1/2P
123150-01-000
PLUG
114427-02-000

FILTER-IN LINE
114966-01-000

PUMP-WATER
98607-01-000

ELBOW-SWIVEL 1/2FPT X 1/2BARB
123150-01-000
PLUG
114427-02-000

TUBING
112176-01-000
(300)

ADAPTER
114430-03-000
ADAPTER
123152-01-000

ELBOW-1/2MPT X 1/2BARB
111223-04-000

TUBING
39800-02-000
(180)

CONNECTOR
114974-01-000
STRAINER
147302-01-CHT
PLUG
114427-02-000

ELBOW-SWIVEL
114429-06-000

ELBOW-1/2P X 1/2P
114429-01-000

TUBING
39800-02-000
(190)

INSULATION
105920-01-000
(2 SQ. FT. USAGE)

ELBOW-1/2P X 1/2P
114429-01-000

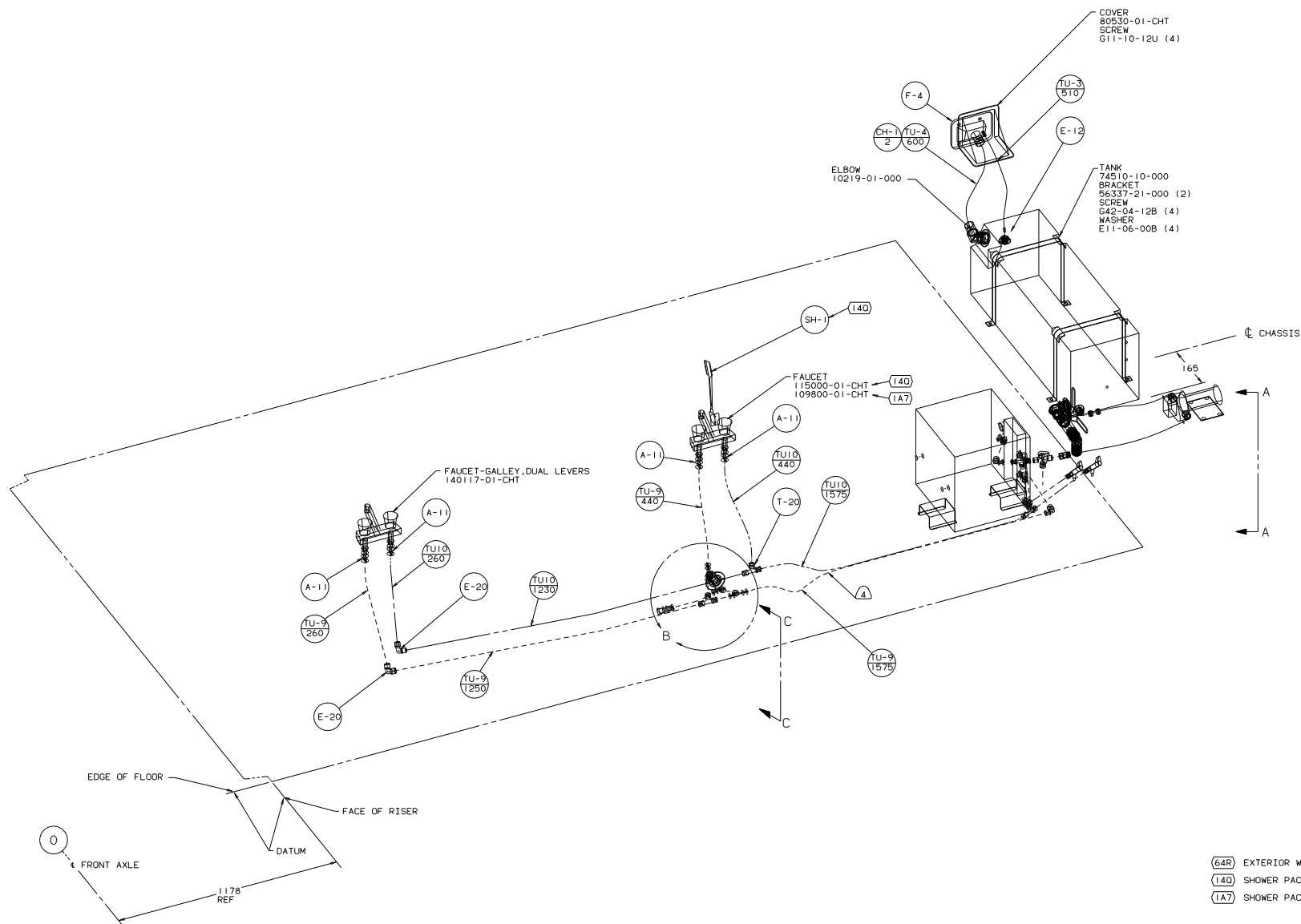
TUBING
39800-02-000
(30)

VIEW A-A

VIEW B-B

03 222 FD

| | | | |
|------------------------------|--------------|----------------|-----------------|
| TITLE: DRAINAGE SYSTEM INSTL | | DWG NO: 141596 | |
| DO NOT SCALE DRAWING | SHEET 2 OF 2 | DATE: 08/11/03 | FILE NO: 141596 |



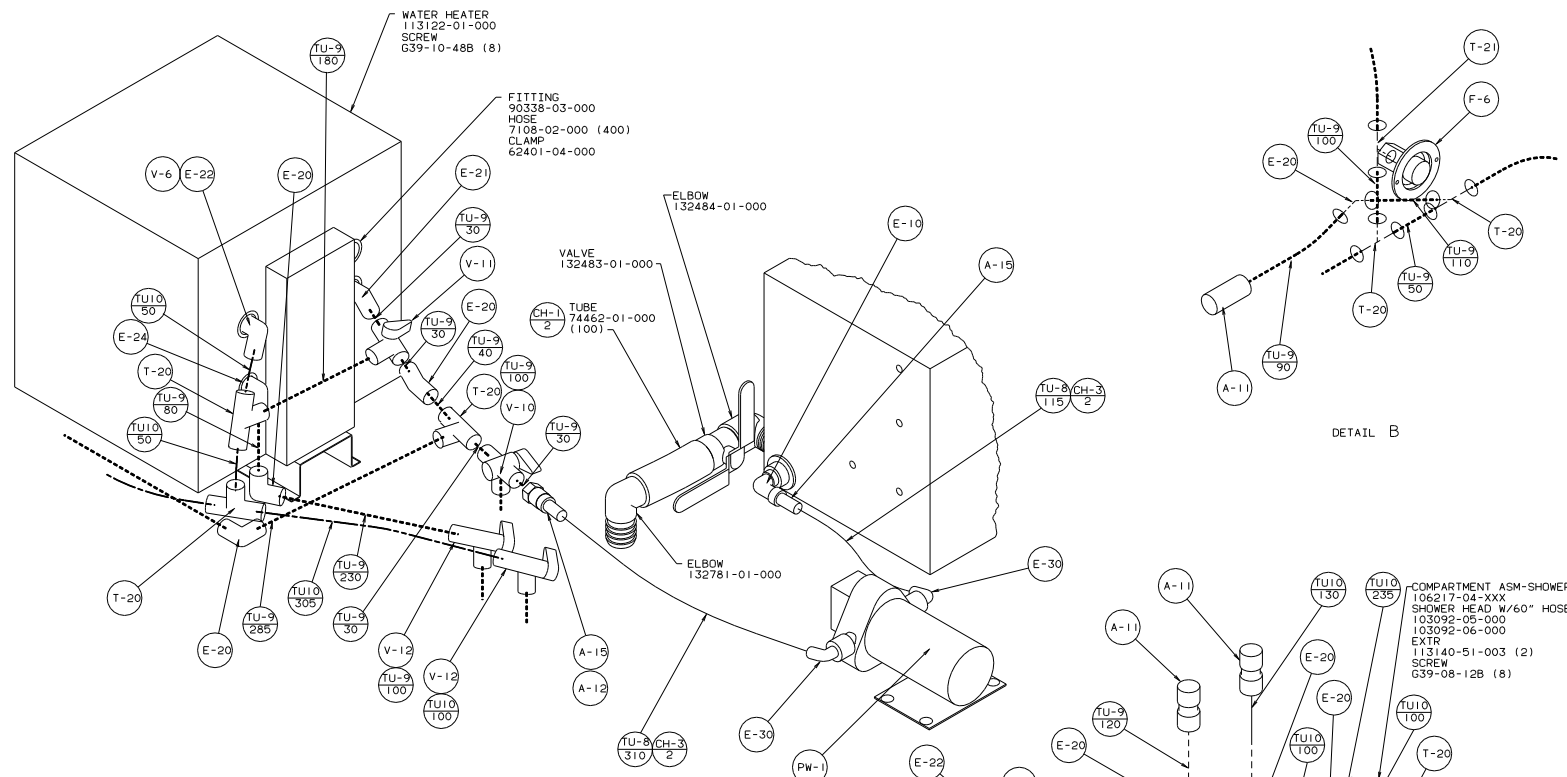
- (64R) EXTERIOR WASH STATION
- (140) SHOWER PACKAGE
- (1A7) SHOWER PACKAGE-WITHOUT

FOR CALLOUTS SEE DWG NO. 116230-01-000

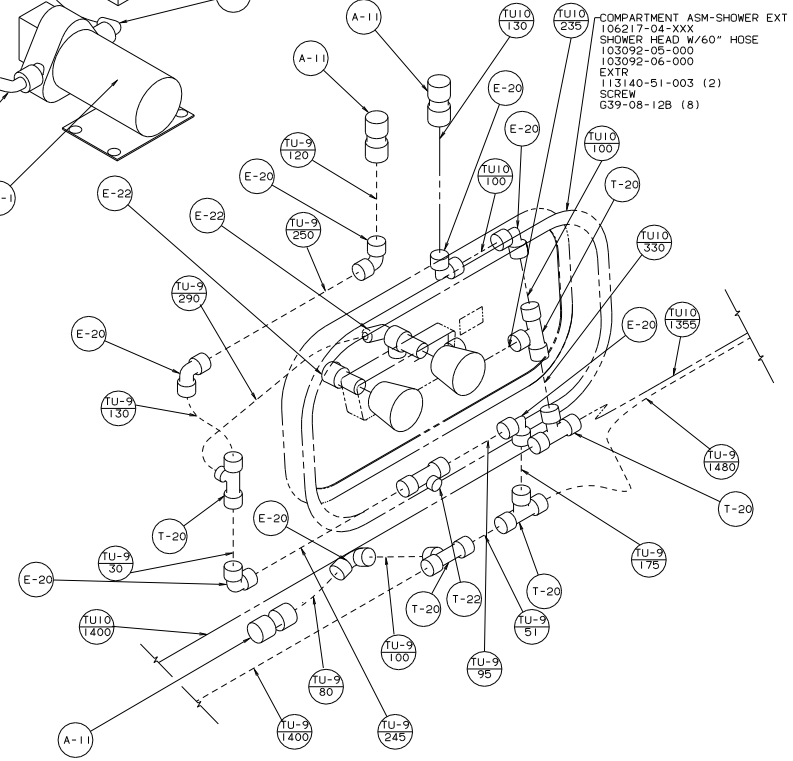
5. TRI MARK "KEY ONE"
 KEY: P/N 130288-01 THRU -10
 WATER FILL: P/N 13837-53-000 THRU -009.
4. WRAP WATER LINES WITH INSULATION 105290-01-000 ANY PLACE THEY ARE IN CONTACT WITH MONITOR AID LINES. FASTEN WITH WIRE TIES.
3. ALL TUBING TO BE SECURED AT 1200 INTERVALS MAXIMUM WITH CLAMP 10495-01-000 OR CLIP 91951-01-000 AND SCREW G67-10-12B.
2. TUBING TO BE INSTALLED WITH SUFFICIENT SLOPE TO PROVIDE DRAINAGE TO NEAREST VALVE.
1. PLASTIC FITTINGS TO BE SEALED WITH SEALANT 84456-01-000

| LEGEND | |
|--------|-------|
| HOT | ————— |
| COLD | |

| | | |
|-----------------------------------|--------------|-----------------------------|
| WINNERAGO | | 03 222FD |
| OPTR | DATE | UNSPECIFIED TOLERANCES ARE: |
| CHRP | DATE | WHOLE DIM IN |
| DFE | DATE | ONE-PLACE (X.X) |
| DFE | DATE | TWO-PLACE (X.XX) |
| DFE | DATE | THREE-PLACE (X.XXX) |
| CDPR | DATE | THIRD ANGLE PROJECTION |
| LANPT | NO | 0C222FD |
| TITLE: WATER SYSTEM INSTL | | 141142 |
| DIA # | SCALE: NONE | DO NOT SCALE DRAWING |
| ALL DIMENSIONS ARE IN MILLIMETERS | SHEET 1 OF 2 | 1 E NO |



VIEW A-A



VIEW C-C (64R)
WITH EXTERIOR SHOWER