



DANGER

Danger of electrical shock, burns or death. Always remove all power sources before attempting any repair, service or diagnostic work. Power can be present from shore power, generator, inverter or battery. All power sources must be disabled and secured before performing any service.

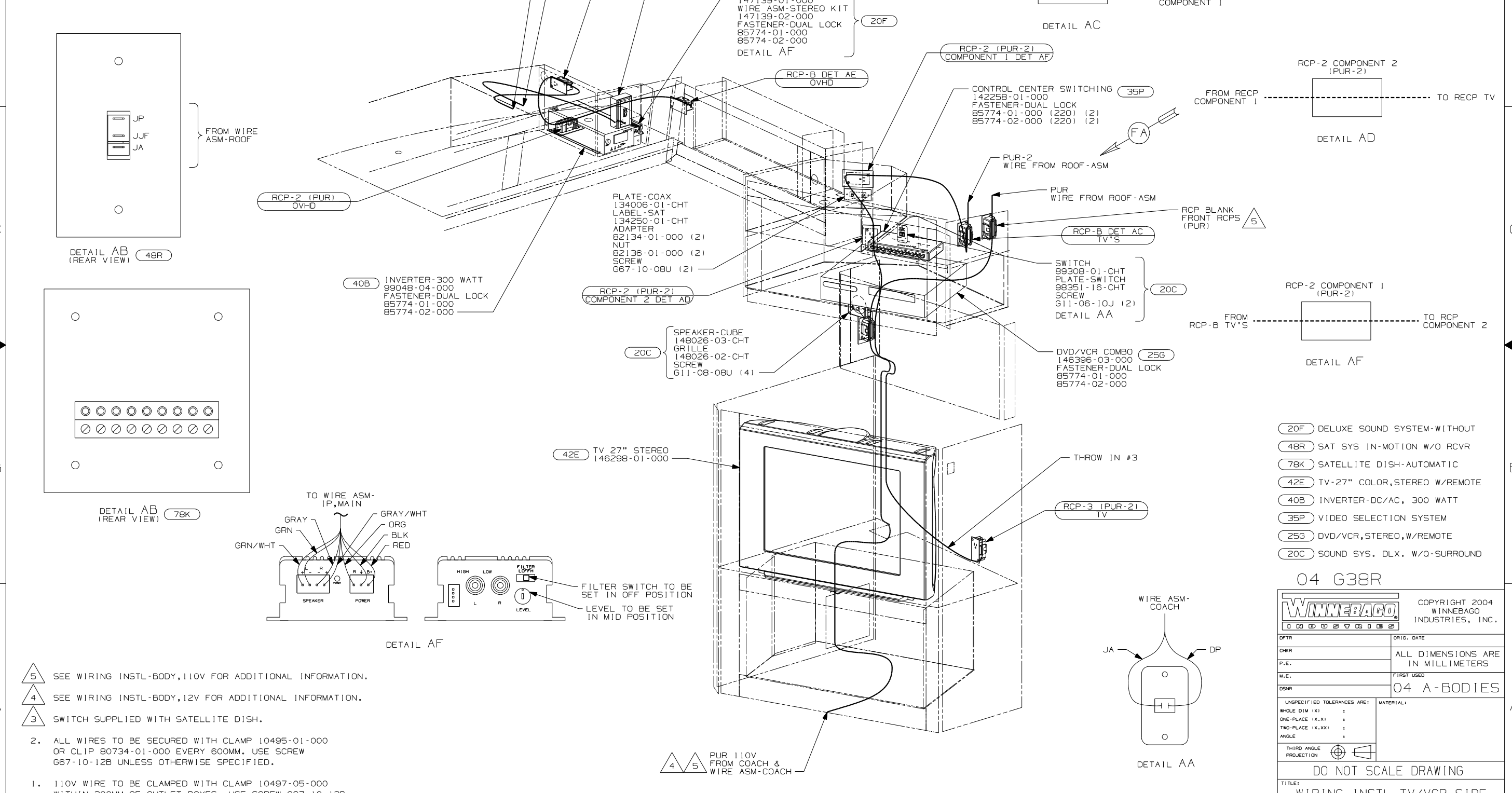


CAUTION

If you lack the skills, tools or equipment to perform diagnostic or repair work leave such work to an authorized Winnebago Industries dealer or other qualified shop.

DRAWING NO.	MODEL	SHT
146193-01	G38R	1 & 6
146193-02	L-SERIES	2 & 6
146193-03	S-SERIES	3 & 6
146193-04	G37B	4 & 6
146193-05	Q40AD	5 & 7

RELEASE	REV/DATE	DWG NO
A		146193
REV ZONE	REVISION RECORD	DATE
		DTR-016



- NOTES:
- 110V WIRE TO BE CLAMPED WITH CLAMP 10497-05-000 WITHIN 200MM OF OUTLET BOXES, USE SCREW G67-10-12B.
 - ALL WIRES TO BE SECURED WITH CLAMP 10495-01-000 OR CLIP 80734-01-000 EVERY 600MM. USE SCREW G67-10-12B UNLESS OTHERWISE SPECIFIED.
- 5 SEE WIRING INSTL-BODY,110V FOR ADDITIONAL INFORMATION.
 4 SEE WIRING INSTL-BODY,12V FOR ADDITIONAL INFORMATION.
 3 SWITCH SUPPLIED WITH SATELLITE DISH.

- 20F DELUXE SOUND SYSTEM-WITHOUT
- 48R SAT SYS IN-MOTION W/O RCVR
- 78K SATELLITE DISH-AUTOMATIC
- 42E TV-27" COLOR,STEREO W/REMOTE
- 40B INVERTER-DC/AC, 300 WATT
- 35P VIDEO SELECTION SYSTEM
- 25G DVD/VCR,STEREO,W/REMOTE
- 20C SOUND SYS. DLX. W/O-SURROUND

04 G38R

WINNEBAGO COPYRIGHT 2004 WINNEBAGO INDUSTRIES, INC.

DTR	ORIG. DATE
CHKR	ALL DIMENSIONS ARE IN MILLIMETERS
P.E.	FIRST USED
M.E.	04 A-BODIES
DSNR	

UNSPECIFIED TOLERANCES ARE: MATERIAL:

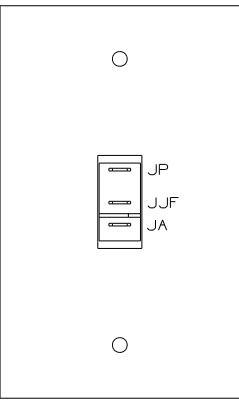
HOLE DIM (X) :
 ONE-PLACE (X,X) :
 TWO-PLACE (X,XX) :
 ANGLE :
 THIRD ANGLE PROJECTION

DO NOT SCALE DRAWING

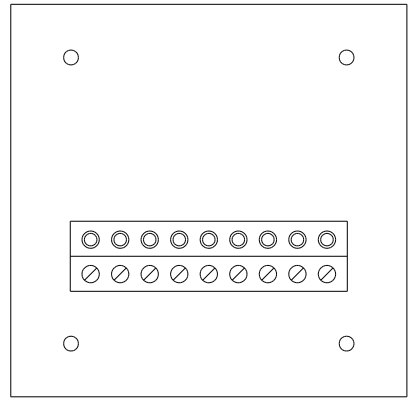
TITLE: WIRING INSTL-TV/VCR,SIDE

SHEET 1 OF 7 PART NO 146193

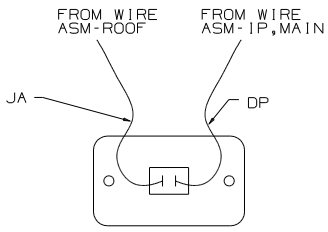
REF:142409 1/17/2004



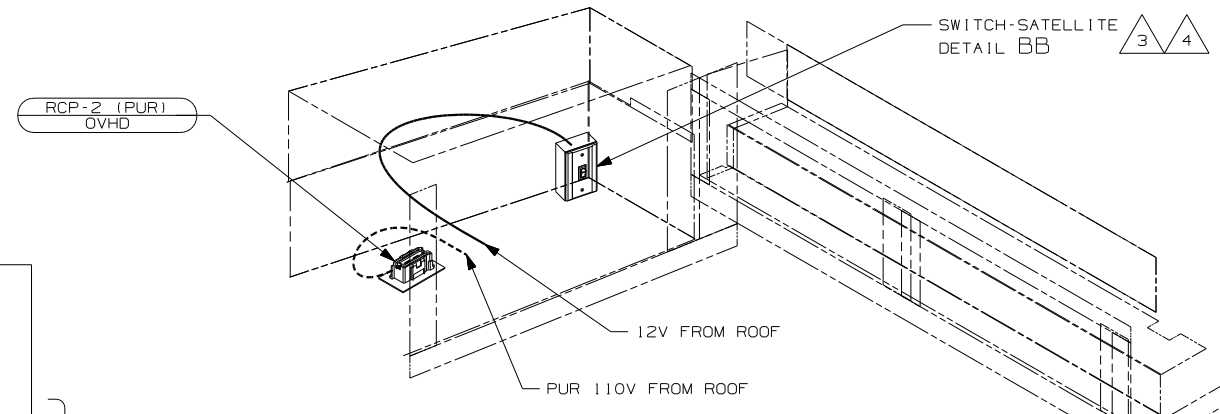
DETAIL BB (REAR VIEW) 48R



DETAIL BB (REAR VIEW) 78K



DETAIL BA



SWITCH-SATELLITE
DETAIL BB

35P CONTROL CENTER SWITCHING
142258-01-000
FASTENER-DUAL LOCK
85774-01-000 (220) (2)
85774-02-000 (220) (2)

SWITCH
89308-01-CHT
PLATE-SWITCH
98351-09-CHT
SCREW
611-06-10J (2)
DETAIL BA

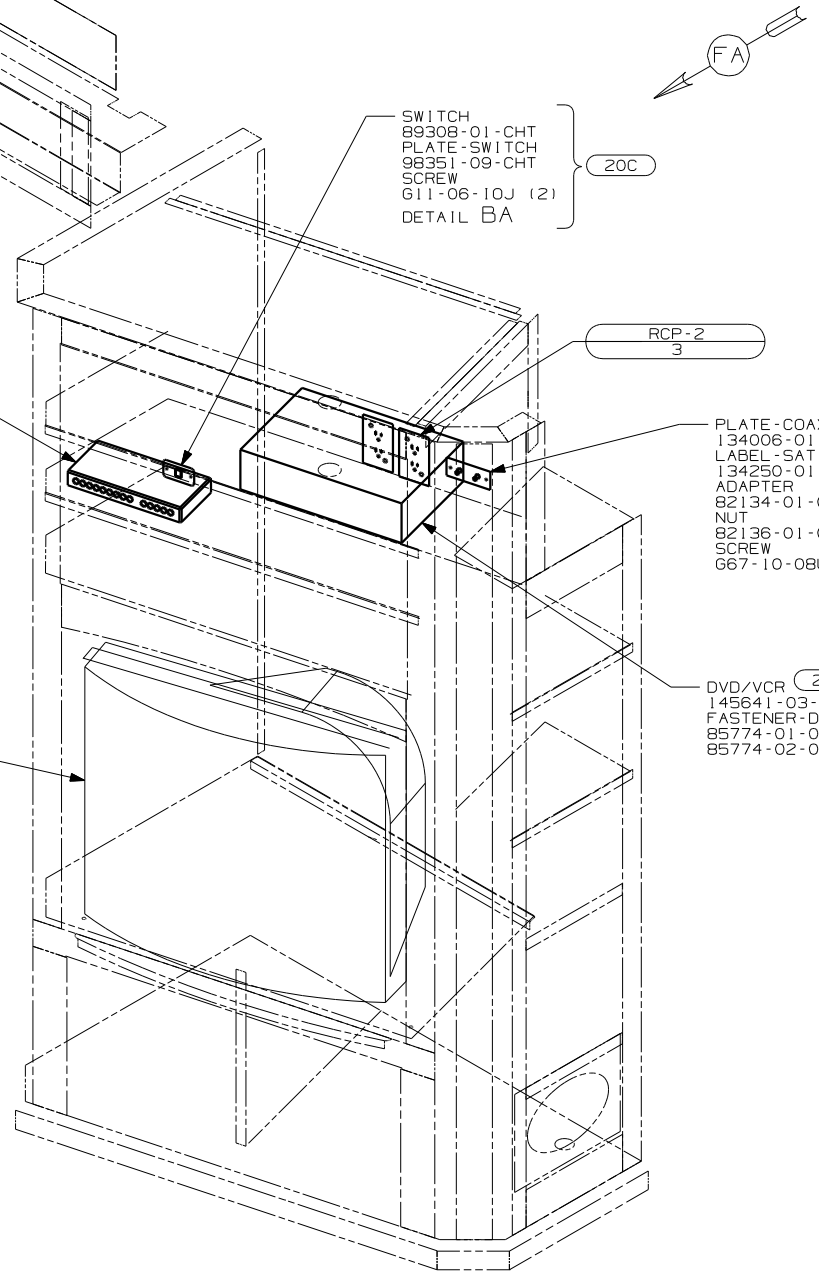
20C

RCP-2
3

PLATE-COAX
134006-01-CHT
LABEL-SAT
134250-01-CHT
ADAPTER
82134-01-000 (2)
NUT
82136-01-000 (2)
SCREW
667-10-08U (2)

DVD/VCR 25G
145641-03-000
FASTENER-DUAL LOCK
85774-01-000
85774-02-000

TV-32", STEREO
140061-03-000



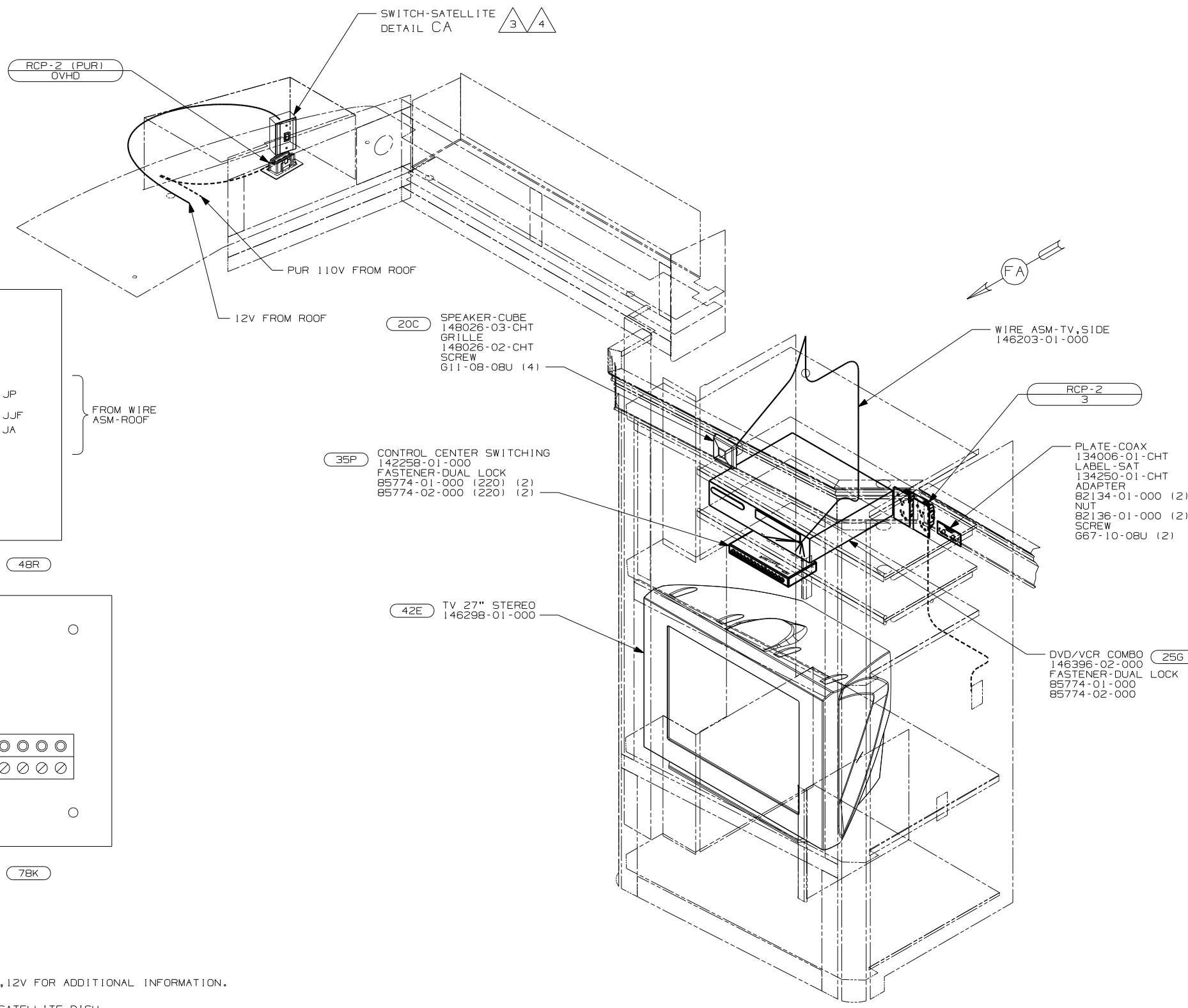
- 5 TO BE MOUNTED TO TOP SHELF.
 - 4 SEE WIRING INSTL-BODY, 12V FOR ADDITIONAL INFORMATION.
 - 3 SWITCH SUPPLIED WITH SATELLITE DISH.
2. ALL WIRES TO BE SECURED WITH CLAMP 10495-01-000 OR CLIP 80734-01-000 EVERY 600MM. USE SCREW 667-10-12B UNLESS OTHERWISE SPECIFIED.
 1. 110V WIRE TO BE CLAMPED WITH CLAMP 10497-05-000 WITHIN 200MM OF OUTLET BOXES, USE SCREW 667-10-12B.

NOTES:

- 48R SAT SYS IN-MOTION W/O RCVR
- 78K SATELLITE DISH-AUTOMATIC
- 79H ENTERTAINMENT CTR- INTERIOR
- 35P VIDEO SELECTION SYSTEM
- 25G DVD/VCR, STEREO, W/REMOTE
- 20C SOUND SYS. DLX. W/O-SURROUND

L-SERIES 79H

FIRST USED	04 A-BODIES
TITLE	DO NOT SCALE DRAWING
TITLE	WIRING INSTL-TV/VCR, SIDE
SHEET 2	PART NO 146193



20C SPEAKER-CUBE
148026-03-CHT
GRILLE
148026-02-CHT
SCREW
611-08-08U (4)

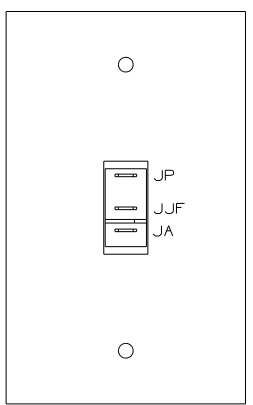
35P CONTROL CENTER SWITCHING
142258-01-000
FASTENER-DUAL LOCK
85774-01-000 (220) (2)
85774-02-000 (220) (2)

42E TV 27" STEREO
146298-01-000

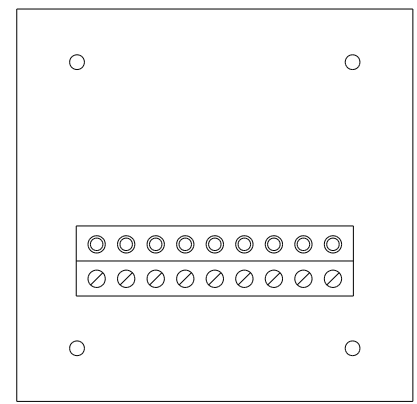
RCP-2
3

PLATE-COAX
134006-01-CHT
LABEL-SAT
134250-01-CHT
ADAPTER
82134-01-000 (2)
NUT
82136-01-000 (2)
SCREW
667-10-08U (2)

DVD/VCR COMBO
146396-02-000
FASTENER-DUAL LOCK
85774-01-000
85774-02-000



DETAIL CA (REAR VIEW) 48R



DETAIL CA (REAR VIEW) 78K

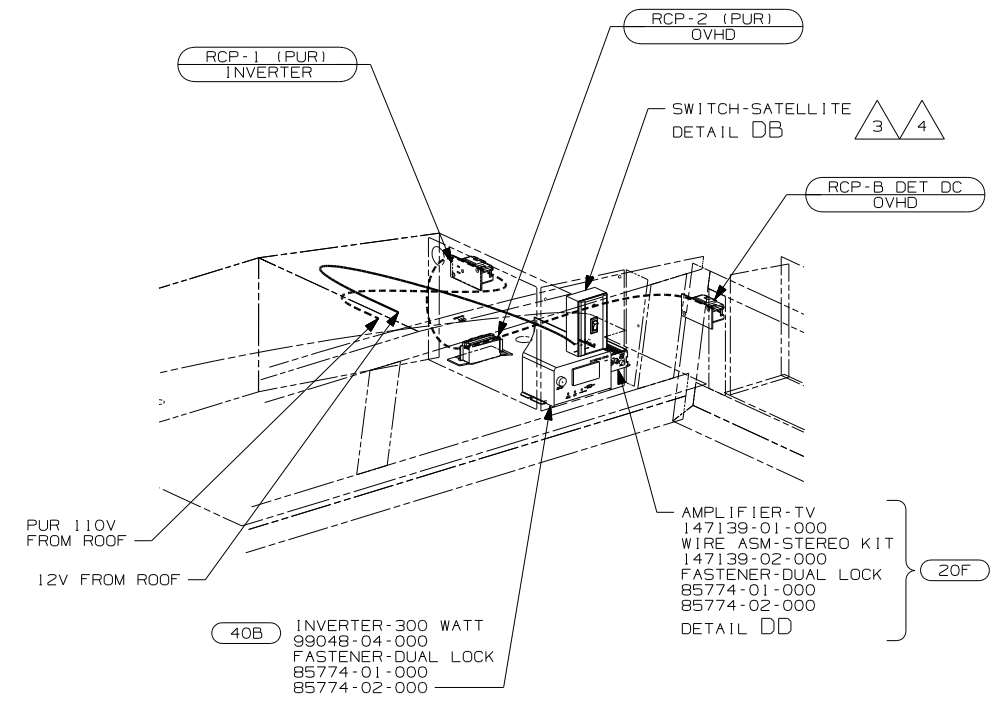
- 4 SEE WIRING INSTL-BODY, 12V FOR ADDITIONAL INFORMATION.
- 3 SWITCH SUPPLIED WITH SATELLITE DISH.

2. ALL WIRES TO BE SECURED WITH CLAMP 10495-01-000 OR CLIP 80734-01-000 EVERY 600MM. USE SCREW 667-10-12B UNLESS OTHERWISE SPECIFIED.
1. 110V WIRE TO BE CLAMPED WITH CLAMP 10497-05-000 WITHIN 200MM OF OUTLET BOXES, USE SCREW 667-10-12B.

NOTES:

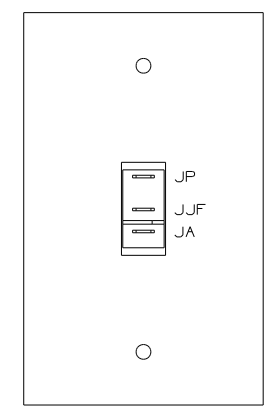
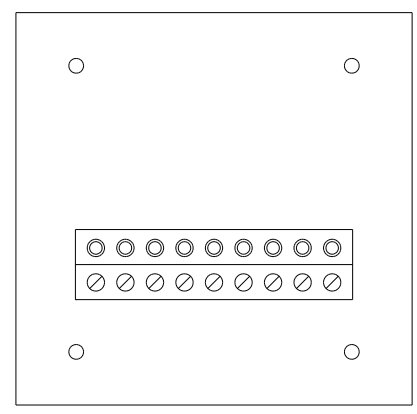
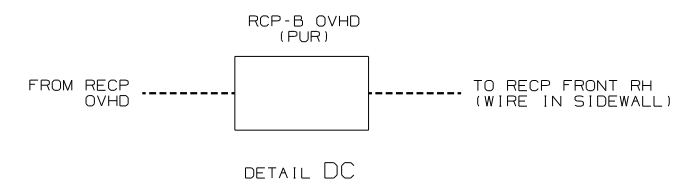
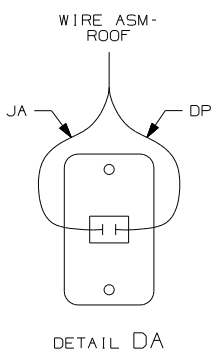
- 48R SAT SYS IN-MOTION W/O RCVR
- 78K SATELLITE DISH-AUTOMATIC
- 42E TV-27" COLOR, STEREO W/REMOTE
- 79H ENTERTAINMENT CTR-INTERIOR
- 35P VIDEO SELECTION SYSTEM
- 25G DVD/VCR, STEREO, W/REMOTE
- 20C SOUND SYS. DLX. W/O-SURROUND

FIRST USED	
04 A-BODIES	
DO NOT SCALE DRAWING	
TITLE:	
WIRING INSTL-TV/VCR, SIDE	
SHEET 3	PART NO 146193



- 40B INVERTER-300 WATT
99048-04-000
FASTENER-DUAL LOCK
85774-01-000
85774-02-000

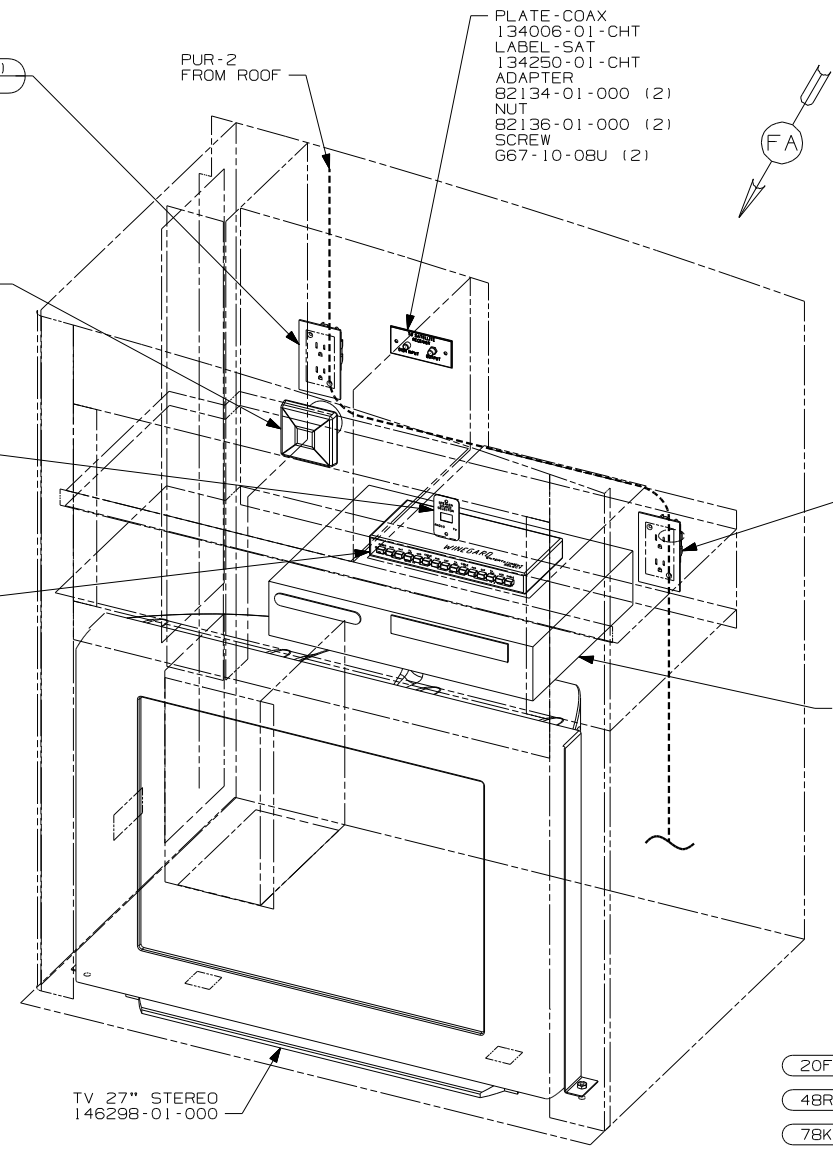
- AMPLIFIER-TV
147139-01-000
WIRE ASM-STEREO KIT
147139-02-000
FASTENER-DUAL LOCK
85774-01-000
85774-02-000



FROM WIRE ASM-ROOF

- 20C SPEAKER-CUBE
148026-03-CHT
GRILLE
148026-02-CHT
SCREW
G11-08-08U (4)
- 20c SWITCH
89308-01-CHT
PLATE-SWITCH
98351-16-CHT
SCREW
G11-06-10J (2)

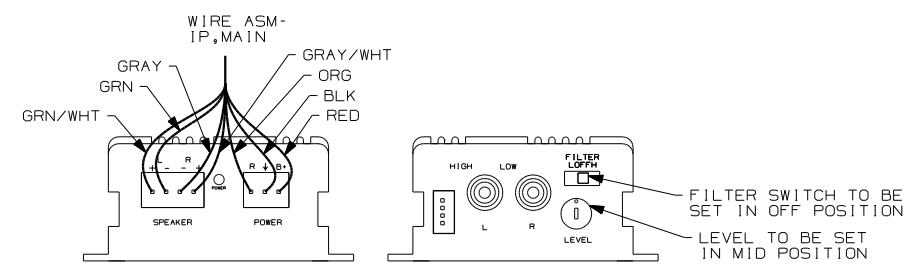
- CONTROL CENTER SWITCHING
142258-01-000
FASTENER-DUAL LOCK
85774-01-000 (220) (2)
85774-02-000 (220) (2)



- RCP-1 (PUR-4) COMPONENT 2

- DVD/VCR COMBO
146396-02-000
FASTENER-DUAL LOCK
85774-01-000
85774-02-000

25G



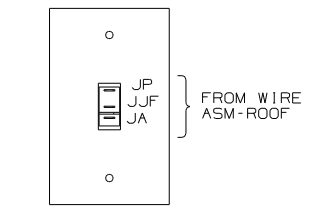
DETAIL DD

- 20F DELUXE SOUND SYSTEM-WITHOUT
- 48R SAT SYS IN-MOTION W/O RCVR
- 78K SATELLITE DISH-AUTOMATIC
- 42E TV-27" COLOR, STEREO W/REMOTE
- 40B INVERTER-DC/AC, 300 WATT
- 35P VIDEO SELECTION SYSTEM
- 25G DVD/VCR, STEREO, W/REMOTE
- 20C SOUND SYS. DLX. W/O-SURROUND

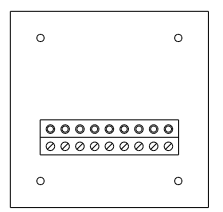
- 4 SEE WIRING INSTL-BODY, 12V FOR ADDITIONAL INFORMATION.
- 3 SWITCH SUPPLIED WITH SATELLITE DISH
- 2. ALL WIRES TO BE SECURED WITH CLAMP 10495-01-000 OR CLIP 80734-01-000 EVERY 600MM. USE SCREW G67-10-12B UNLESS OTHERWISE SPECIFIED.
- 1. 110V WIRE TO BE CLAMPED WITH CLAMP 10497-05-000 WITHIN 200MM OF OUTLET BOXES, USE SCREW G67-10-12B.

NOTES:

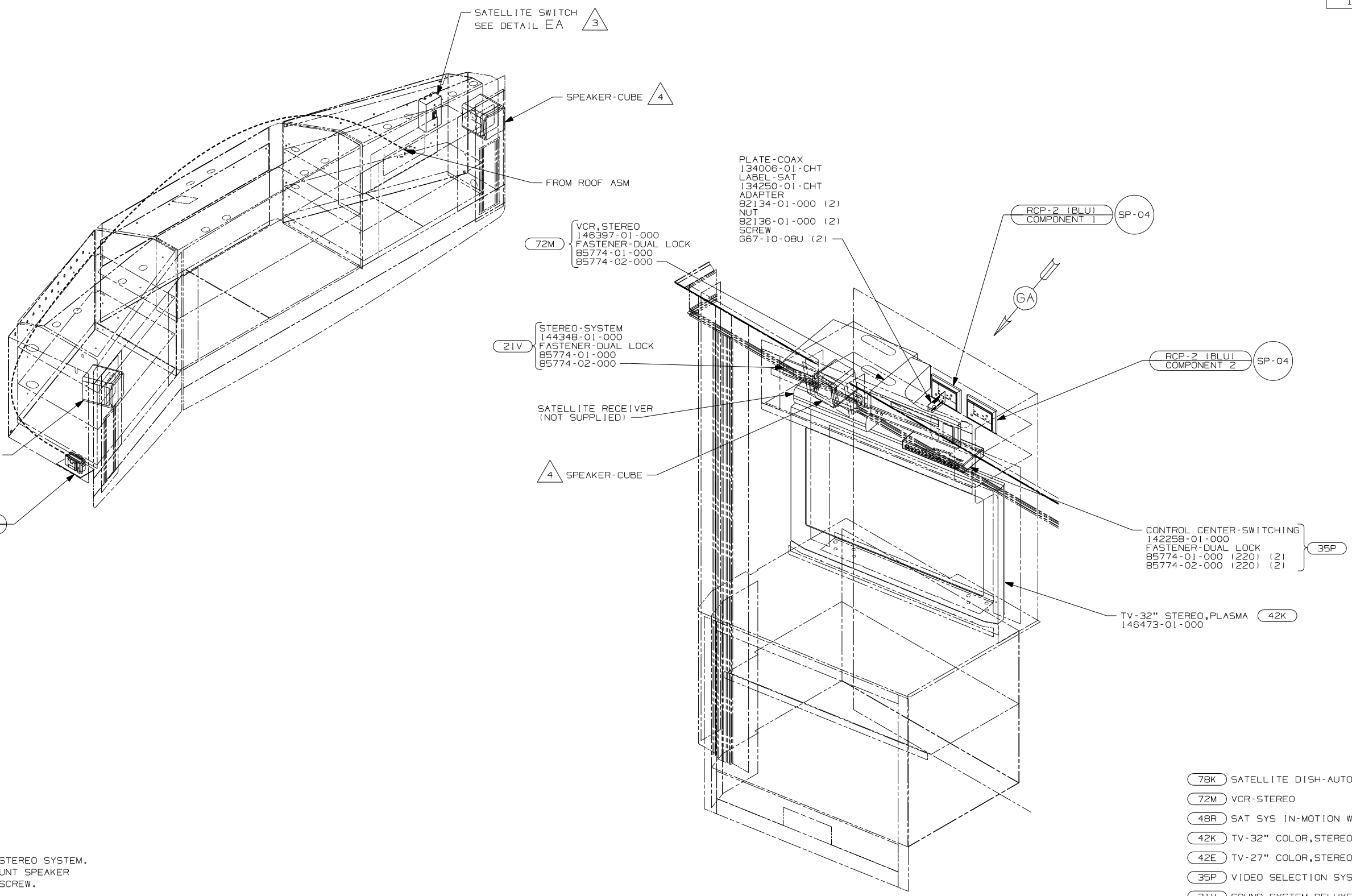
FIRST USED	
04 G37B	
04 A-BODIES	
DO NOT SCALE DRAWING	
TITLE:	
WIRING INSTL-TV/VCR, SIDE	
SHEET 4	PART NO 146193



DETAIL EA (REAR VIEW) 48R



DETAIL EA (REAR VIEW) 78K

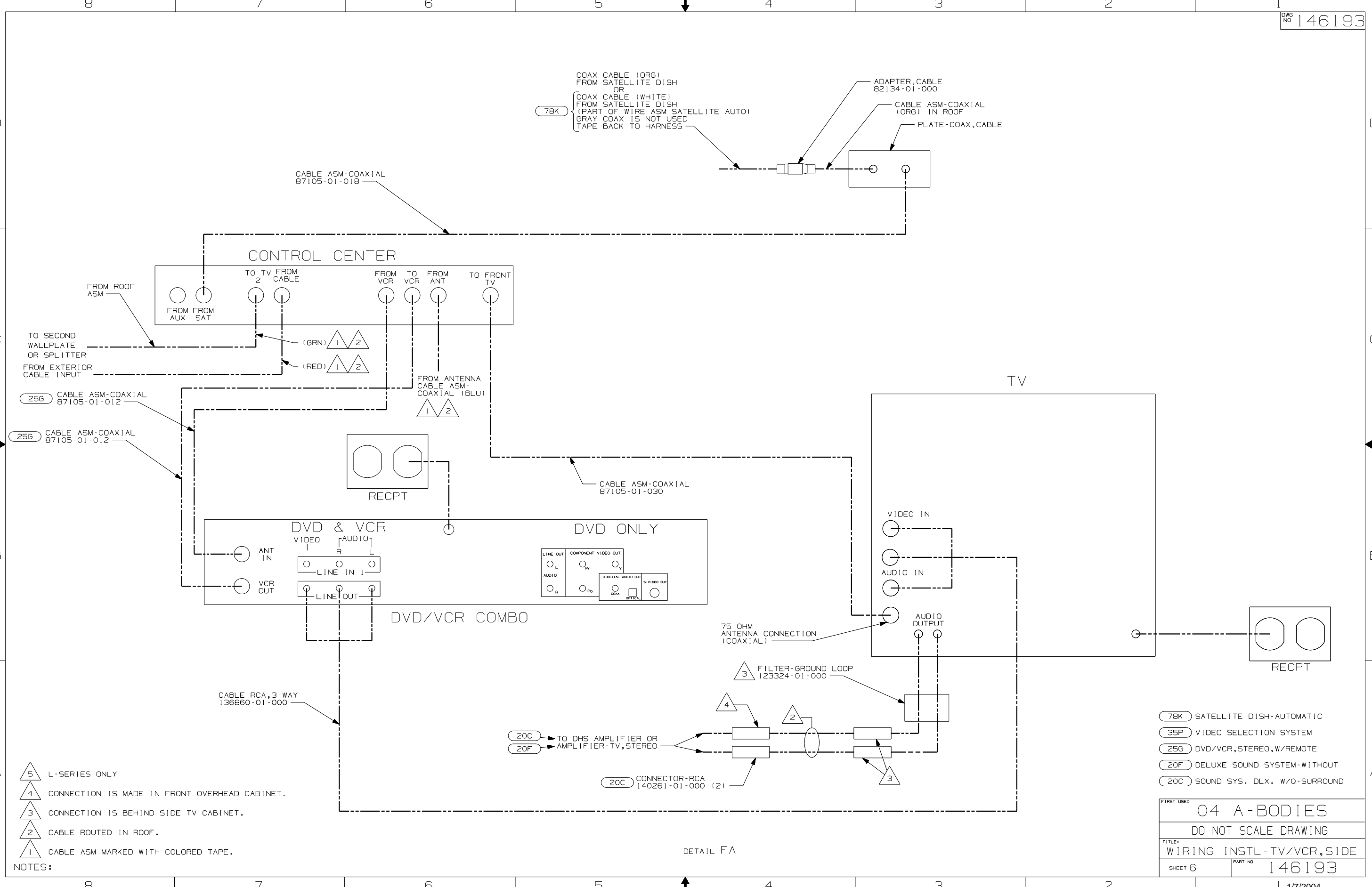


- 4 SPEAKER IS SUPPLIED WITH STEREO SYSTEM. REMOVE REAR HOUSING TO MOUNT SPEAKER IN CABINET WITH SUPPLIED SCREW.
- 3 SWITCH SUPPLIED WITH SATELLITE DISH, SEE WIRING INSTL-BODY, 12V FOR ADDITIONAL INFORMATION.
2. ALL WIRES TO BE SECURED WITH CLAMP 10495-01-000 OR CLIP 80734-01-000 EVERY 600MM. USE SCREW 667-10-12B UNLESS OTHERWISE SPECIFIED.
1. 110V WIRE TO BE CLAMPED WITH CLAMP 10497-05-000 WITHIN 200MM OF OUTLET BOXES, USE SCREW 667-10-12B.

NOTES:

- 78K SATELLITE DISH-AUTOMATIC
- 72M VCR-STEREO
- 48R SAT SYS IN-MOTION W/O RCVR
- 42K TV-32" COLOR, STEREO W/REMOTE
- 42E TV-27" COLOR, STEREO W/REMOTE
- 35P VIDEO SELECTION SYSTEM
- 21V SOUND SYSTEM DELUXE

04 Q40AD	
FIRST USED	
04 A-BODIES	
DO NOT SCALE DRAWING	
TITLE:	
WIRING INSTL-TV/VCR, SIDE	
SHEET 5	PART NO 146193

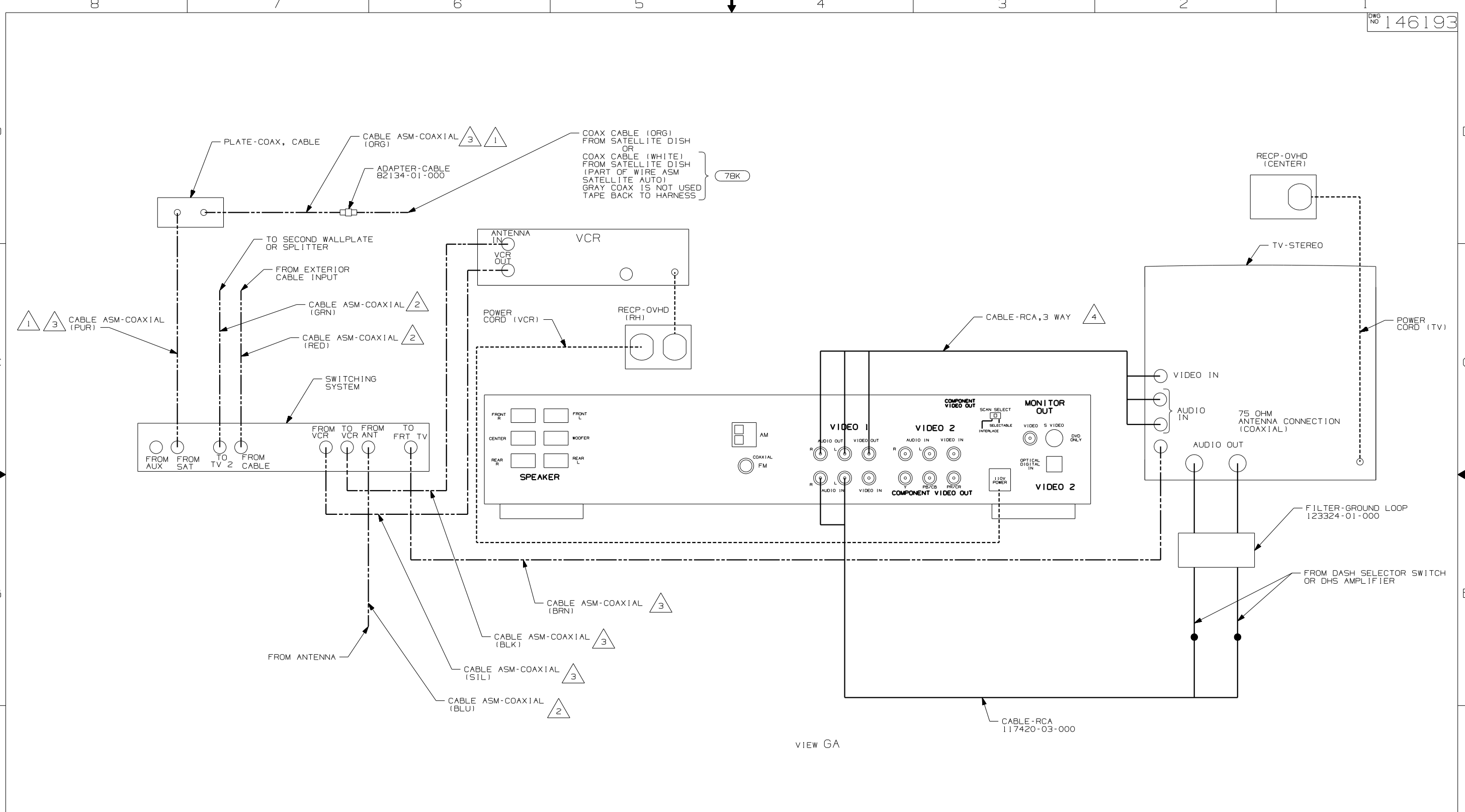


- NOTES:
- 5 L-SERIES ONLY
 - 4 CONNECTION IS MADE IN FRONT OVERHEAD CABINET.
 - 3 CONNECTION IS BEHIND SIDE TV CABINET.
 - 2 CABLE ROUTED IN ROOF.
 - 1 CABLE ASM MARKED WITH COLORED TAPE.

- 78K SATELLITE DISH-AUTOMATIC
- 35P VIDEO SELECTION SYSTEM
- 25G DVD/VCR, STEREO, W/REMOTE
- 20F DELUXE SOUND SYSTEM-WITHOUT
- 20C SOUND SYS. DLX. W/O-SURROUND

FIRST USED	
04 A-BODIES	
DO NOT SCALE DRAWING	
TITLE:	
WIRING INSTL-TV/VCR, SIDE	
SHEET 6	PART NO 146193

DETAIL FA



VIEW GA

- △4 SUPPLIED WITH DVD PLAYER
- △3 CABLE IS PART OF WIRE ASM-COAX, FRONT ENT CTR 136766-02-000
- △2 CABLE ROUTED IN ROOF.
- △1 CONNECTED TO THE REAR SIDE OF SATELLITE PREP PLATE.

78K SATELLITE DISH-AUTOMATIC

FIRST USED	04 A-BODIES	
TITLE	DO NOT SCALE DRAWING	
SHEET 7	PART NO	146193