



**DANGER**

**Danger of electrical shock, burns or death.** Always remove all power sources before attempting any repair, service or diagnostic work. Power can be present from shore power, generator, inverter or battery. All power sources must be disabled and secured before performing any service.

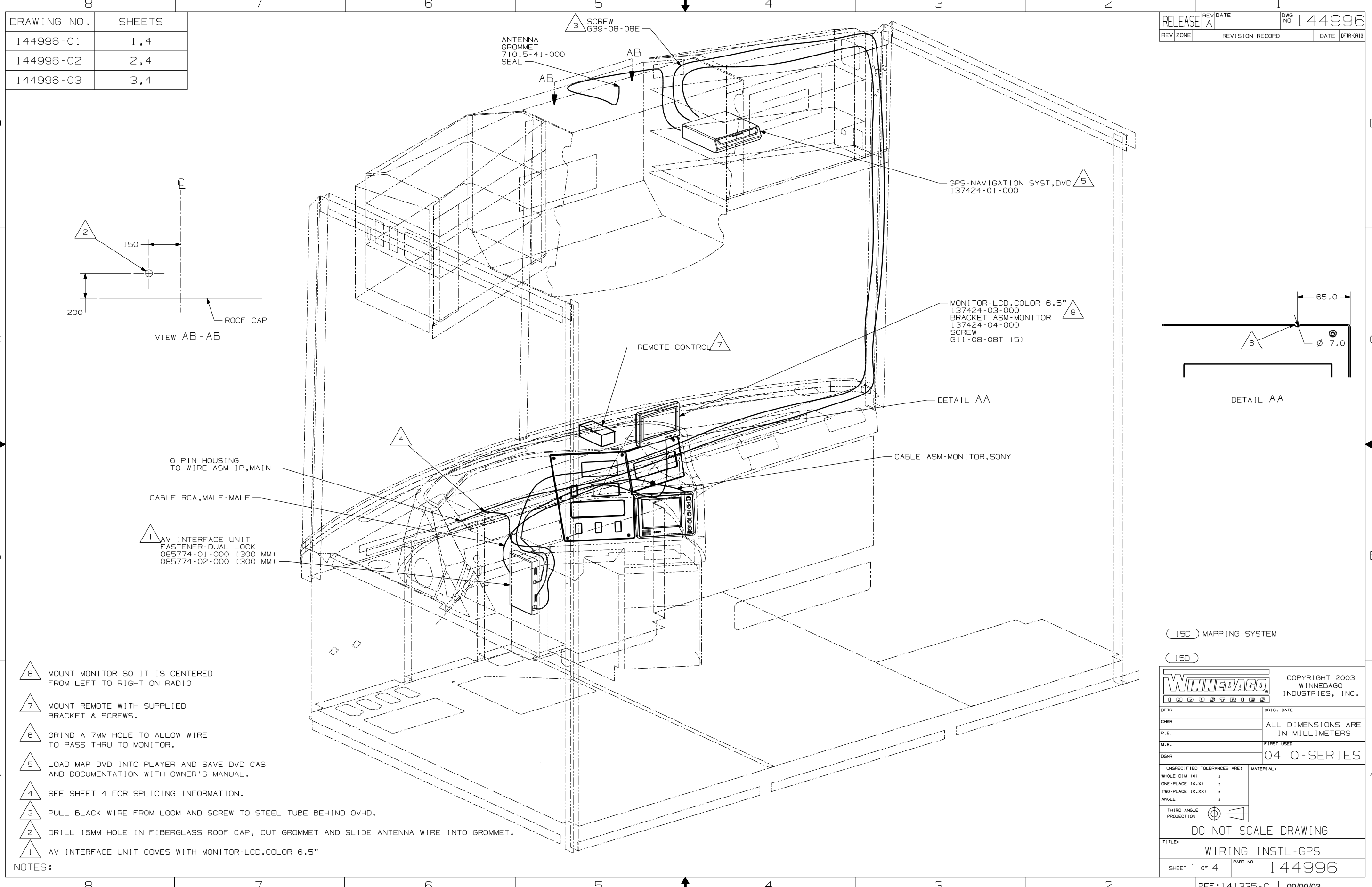
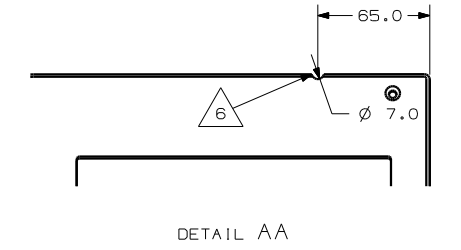
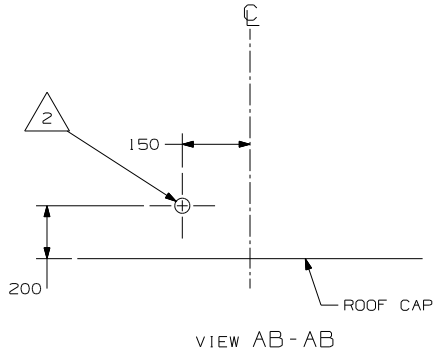


**CAUTION**

If you lack the skills, tools or equipment to perform diagnostic or repair work leave such work to an authorized Winnebago Industries dealer or other qualified shop.

| DRAWING NO. | SHEETS |
|-------------|--------|
| 144996-01   | 1, 4   |
| 144996-02   | 2, 4   |
| 144996-03   | 3, 4   |

|          |                 |        |           |
|----------|-----------------|--------|-----------|
| RELEASE  | REV DATE        | DWG NO | 144996    |
| REV ZONE | REVISION RECORD | DATE   | DFTR-0R16 |



- NOTES:
- 8 MOUNT MONITOR SO IT IS CENTERED FROM LEFT TO RIGHT ON RADIO
  - 7 MOUNT REMOTE WITH SUPPLIED BRACKET & SCREWS.
  - 6 GRIND A 7MM HOLE TO ALLOW WIRE TO PASS THRU TO MONITOR.
  - 5 LOAD MAP DVD INTO PLAYER AND SAVE DVD CAS AND DOCUMENTATION WITH OWNER'S MANUAL.
  - 4 SEE SHEET 4 FOR SPLICING INFORMATION.
  - 3 PULL BLACK WIRE FROM LOOM AND SCREW TO STEEL TUBE BEHIND OVHD.
  - 2 DRILL 15MM HOLE IN FIBERGLASS ROOF CAP, CUT GROMMET AND SLIDE ANTENNA WIRE INTO GROMMET.
  - 1 AV INTERFACE UNIT COMES WITH MONITOR-LCD,COLOR 6.5"

15D MAPPING SYSTEM

15D

**WINNEBAGO** COPYRIGHT 2003 WINNEBAGO INDUSTRIES, INC.

|      |                                   |
|------|-----------------------------------|
| DFTR | ORIG. DATE                        |
| CHKR | ALL DIMENSIONS ARE IN MILLIMETERS |
| P.E. | FIRST USED                        |
| M.E. | 04 Q-SERIES                       |
| DSNR |                                   |

UNSPECIFIED TOLERANCES ARE: MATERIAL:

WHOLE DIM (X) :  
ONE-PLACE (X.X) :  
TWO-PLACE (X.XX) :  
ANGLE :

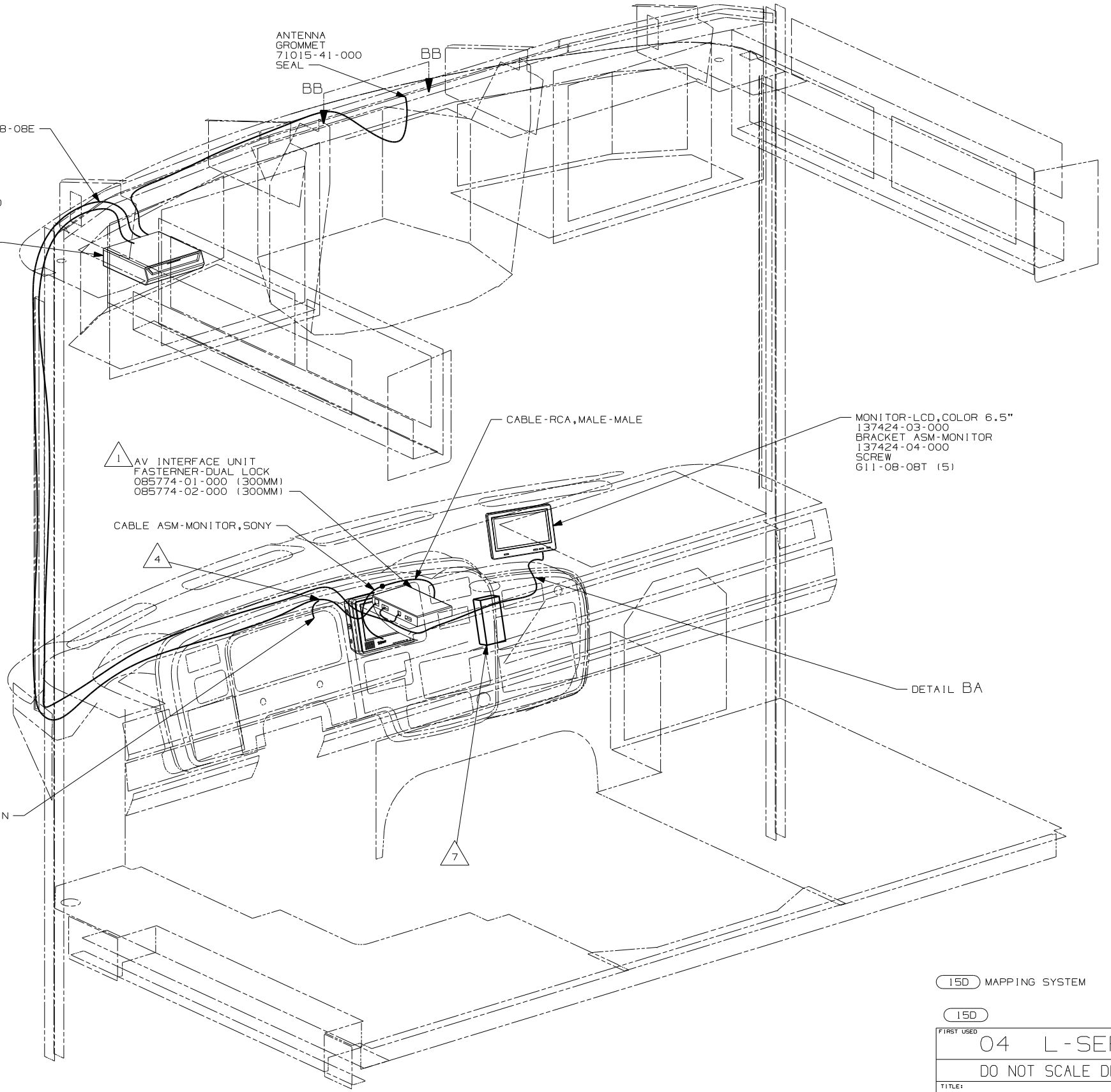
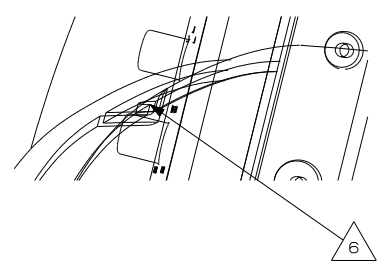
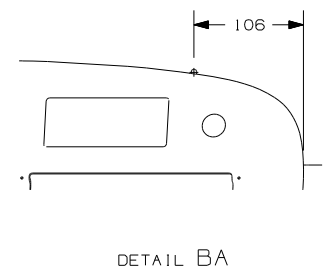
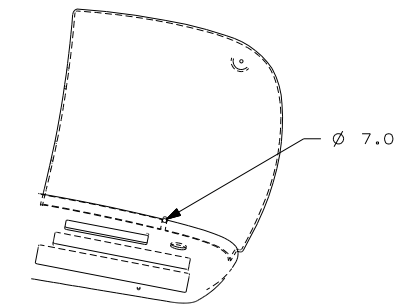
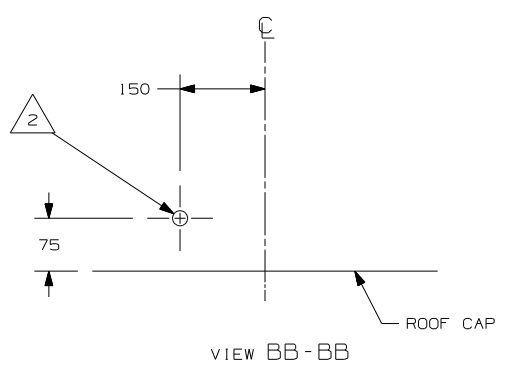
THIRD ANGLE PROJECTION

DO NOT SCALE DRAWING

TITLE: WIRING INSTL-GPS

SHEET 1 of 4 PART NO 144996

REF:141335-C | 09/09/03

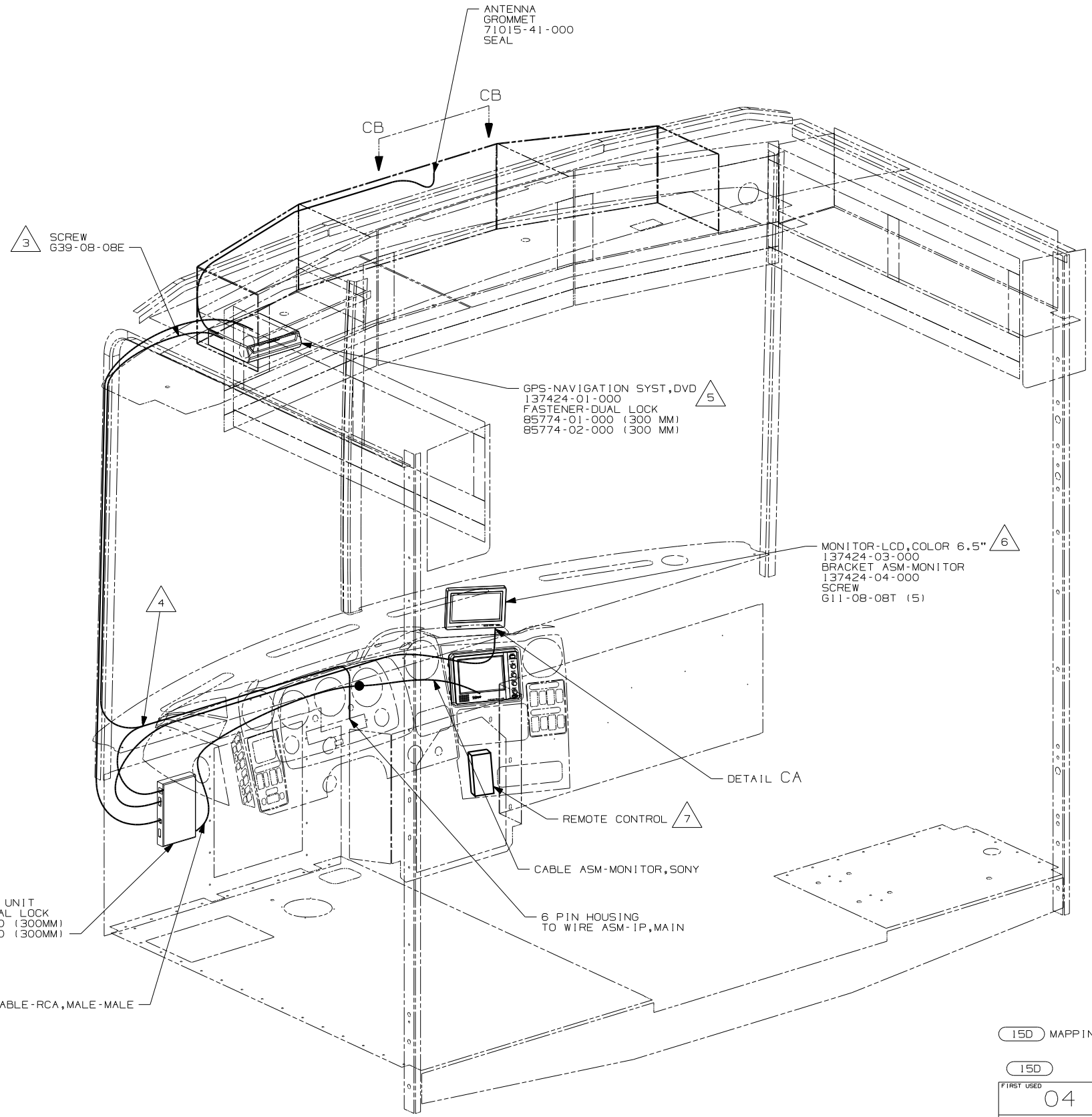
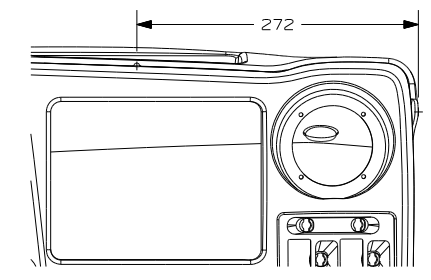
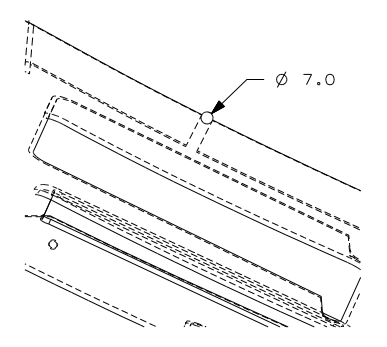
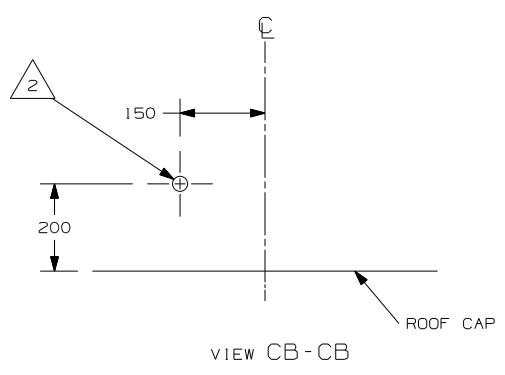


- NOTES:
- 7 MOUNT REMOTE NEXT TO COMPASS DISPLAY WITH SUPPLIED BRACKET AND SCREWS.
  - 6 GRIND A 7MM SLOT IN BEZEL AND DASH POD TO ALLOW WIRE TO PASS THRU TO MONITOR.
  - 5 LOAD MAP DVD INTO PLAYER AND SAVE DVD CAS AND DOCUMENTATION WITH OWNER'S MANUAL.
  - 4 SEE SHEET 4 FOR SPLICING INFORMATION.
  - 3 PULL BLACK WIRE FROM LOOM AND SCREW TO STEEL SIDE-PANEL OF OVHD.
  - 2 DRILL 15MM HOLE IN FIBERGLASS ROOF CAP AND SLIDE ANTENNA WIRE INTO GROMMET.
  - 1 AV INTERFACE UNIT COMES WITH MONITOR-LCD, COLOR 6.5"

15D MAPPING SYSTEM

15D

|            |                      |
|------------|----------------------|
| FIRST USED | 04 L-SERIES          |
| TITLE      | DO NOT SCALE DRAWING |
| SHEET 2    | WIRING INSTL-GPS     |
| PART NO    | 144996               |



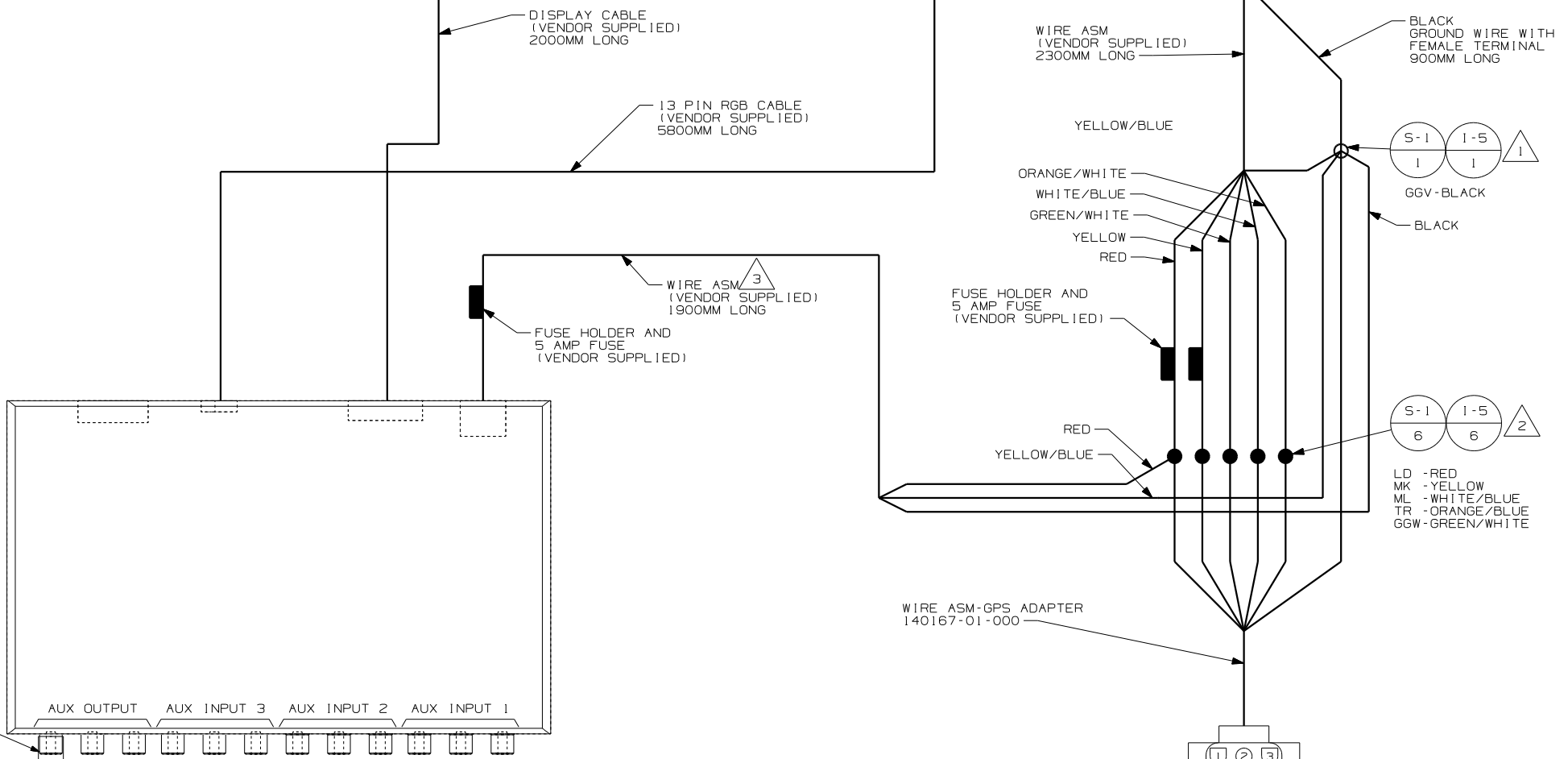
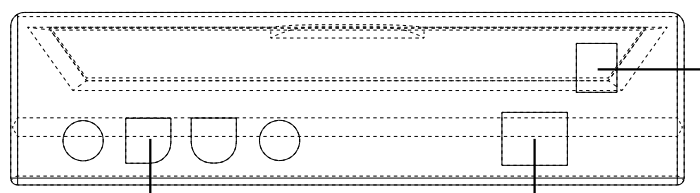
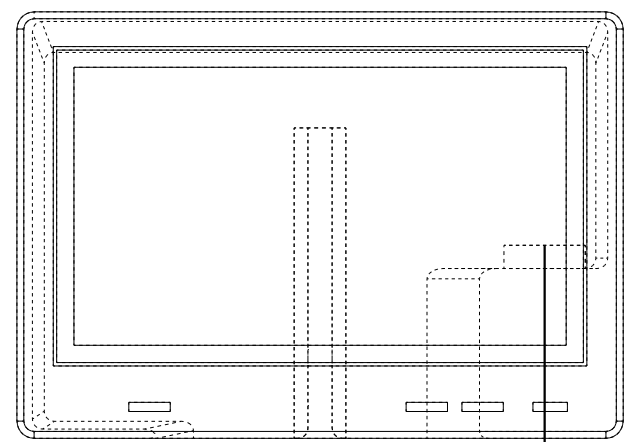
- NOTES:
- 7 MOUNT REMOTE WITH WITH SUPPLIED BRACKET AND SCREWS.
  - 6 MOUNT MONITOR SO IT IS CENTERED IN RECESSED AREA ON DASH.
  - 5 LOAD MAP DVD INTO PLAYER AND SAVE DVD CAS AND DOCUMENTATION WITH OWNER'S MANUAL.
  - 4 SEE SHEET 4 FOR SPLICING INFORMATION.
  - 3 PULL BLACK WIRE FROM LOOM AND SCREW TO STEEL SIDE-PANEL OF OVHD.
  - 2 DRILL 15MM HOLE IN FIBERGLASS ROOF CAP AND SLIDE ANTENNA WIRE INTO GROMMET.
  - 1 AV INTERFACE UNIT COMES WITH MONITOR-LCD,COLOR 6.5"

15D MAPPING SYSTEM

15D

|            |                      |
|------------|----------------------|
| FIRST USED | 04 S-SERIES          |
| TITLE      | DO NOT SCALE DRAWING |
| SHEET 3    | WIRING INSTL-GPS     |
| PART NO    | 144996               |

| GPS CIRCUIT   | FUNCTION                          | WIN CIRCUIT |
|---------------|-----------------------------------|-------------|
| YELLOW        | BATTERY (+)                       | MK          |
| BLACK         | GROUND                            | GGV         |
| RED           | IGNITION (+)                      | LD          |
| WHITE/BLUE    | ILLUMINATION (+)                  | ML          |
| ORANGE/WHITE  | REVERSE LIGHTS (+)                | TR          |
| GREEN/WHITE   | VEHICLE SPEED SENSOR (VSS)        | GGW         |
| YELLOW/BLUE   | PARKING BRAKE (-)                 | GGV         |
| PINK/SKY BLUE | IN-INT INTERRUPT (-) (AUDIO MUTE) | (NOT USED)  |
| YELLOW/BLACK  | FOOT BRAKE (+)                    | (NOT USED)  |
| WHITE/BROWN   | REMOTE                            | (NOT USED)  |



- NOTES:
- 5 WHITE CONNECTOR IS NOT USED. TAPE BACK INTO LOOM WITH TAPE 8363-01-000.
  - 4 CONNECT TOGETHER
  - 3 CUT WIRE ASM TO AVOID EXCESS WIRE BUNDLING.
  - 2 CUT TERMINALS FROM VENDOR SUPPLIED WIRES AND SPLICE AS SHOWN.
  - 1 CUT RING TERMINAL FROM BLACK WIRE AND SPLICE AS SHOWN.

15D MAPPING SYSTEM

15D

FIRST USED

04 Q-SERIES

DO NOT SCALE DRAWING

TITLE: WIRING INSTL-GPS

SHEET 4 PART NO 144996

1 09/09/03