



**DANGER**

**Danger of electrical shock, burns or death.** Always remove all power sources before attempting any repair, service or diagnostic work. Power can be present from shore power, generator, inverter or battery. All power sources must be disabled and secured before performing any service.

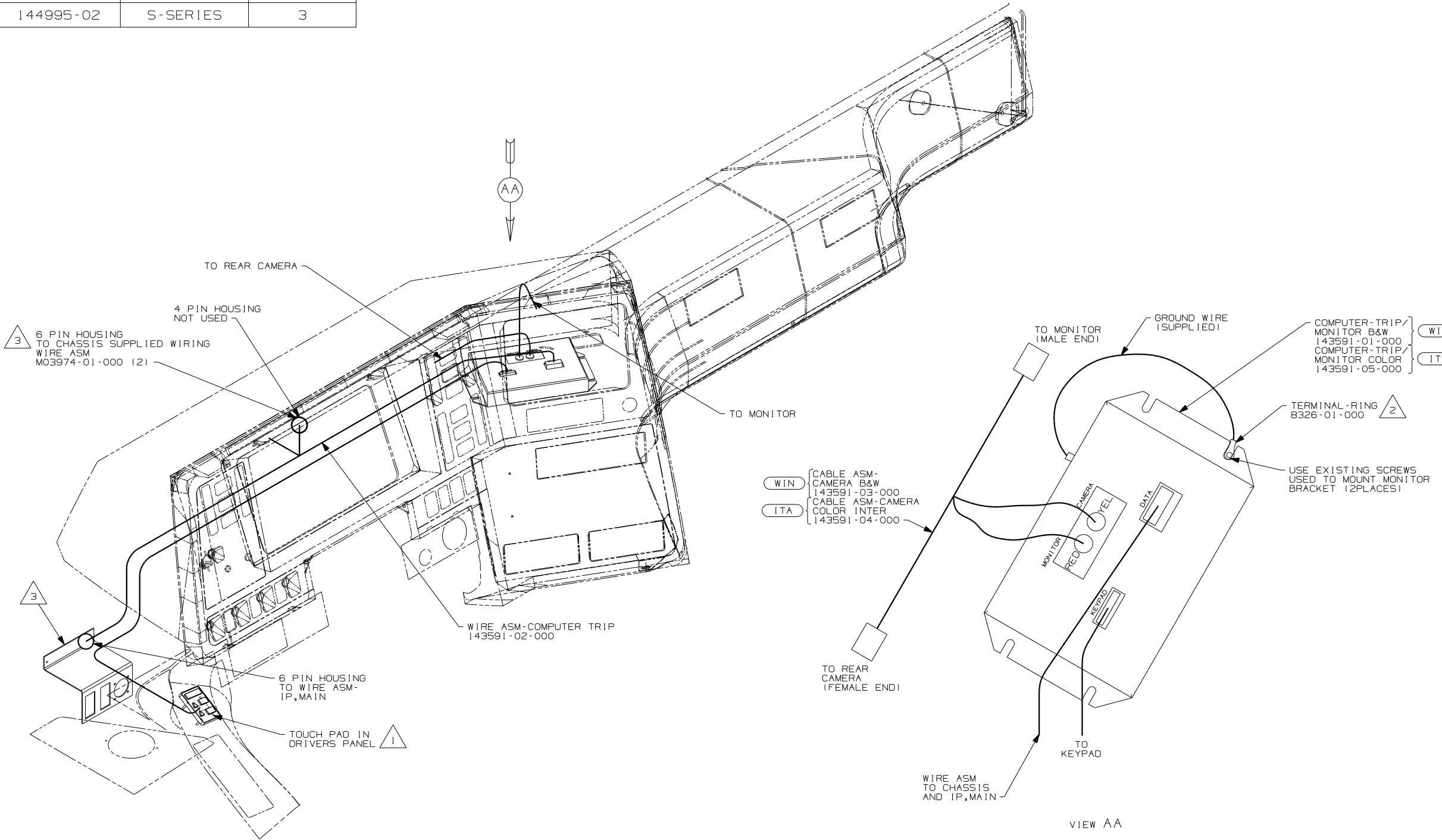


**CAUTION**

If you lack the skills, tools or equipment to perform diagnostic or repair work leave such work to an authorized Winnebago Industries dealer or other qualified shop.

DRAWING NO.	MODELS	SHEET
144995-01	P-SERIES	1
144995-02	Q-SERIES	2
144995-02	S-SERIES	3

RELEASE	REV DATE	ORIG NO
A		144995
REV ZONE	REVISION RECORD	DATE DFR-ORIG



3 REMOVE TRIP TEK'S 6 POSITION HOUSING, LOCATE THE CHASSIS DIAGNOSTIC CONNECTOR AND SPLICE AT LEAST 150MM FROM CONNECTOR INTO THE TWISTED PAIR CIRCUITS WITH CONNECTOR 58028-01-000 AS FOLLOWS: FREIGHTLINER (MMDC WIRING)-RED TO GREEN, WHITE TO ORANGE. WORKHORSE DIESEL PUSHER-RED TO TAN/BLK, WHITE TO WHT/BLK.

2 ADD RING TERMINAL TO EXISTING GROUND AND MOUNT UNDER COMPUTER MOUNTING SCREW.

1 USE VENDER SUPPLIED NUTS.

NOTES:

- ITA ITASCA ONLY
- WIN WINNEBAGO ONLY
- 42V VDC/SWITCHING SYSTEM
- 42V P-SERIES

**WINNEBAGO** COPYRIGHT 2004 WINNEBAGO INDUSTRIES, INC.

DFTR	ORIG. DATE
CHKR	ALL DIMENSIONS ARE IN MILLIMETERS
P.E.	FIRST USED
M.E.	04 P,Q&S SER
DSNR	

UNSPECIFIED TOLERANCES ARE: MATERIAL:

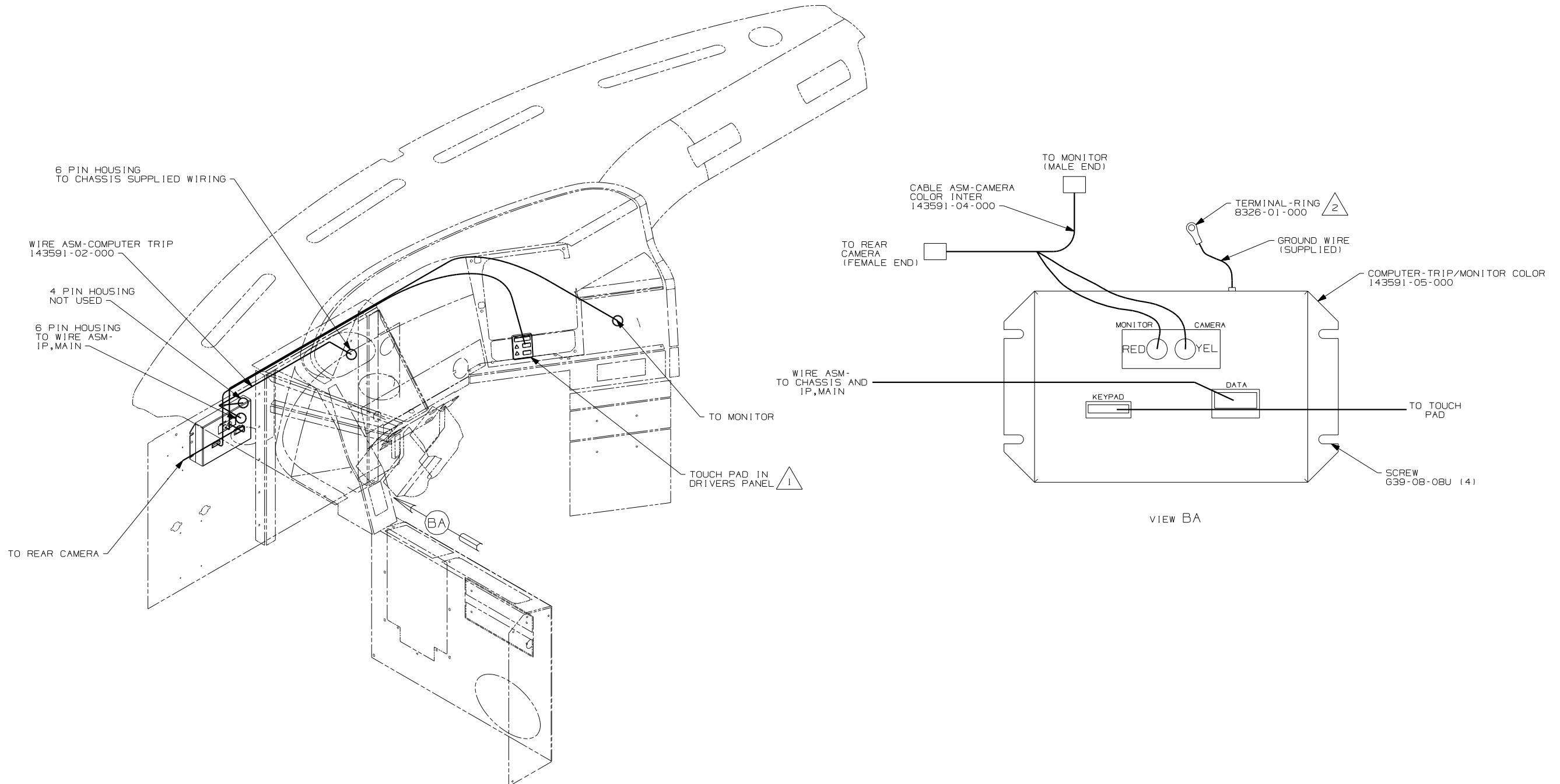
WHOLE DIM (X)	:	
ONE-PLACE (X.X)	:	1.0
TWO-PLACE (X.XX)	:	0.50
ANGLE	:	

THIRD ANGLE PROJECTION

DO NOT SCALE DRAWING

TITLE: WIRING INSTL-TRIP COMPUTER

SHEET 1 OF 3 PART NO 144995

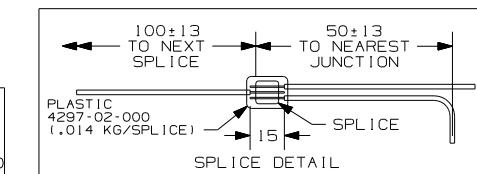
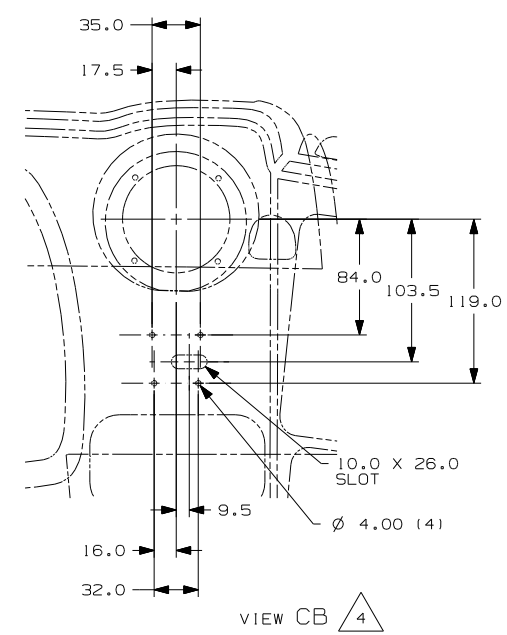
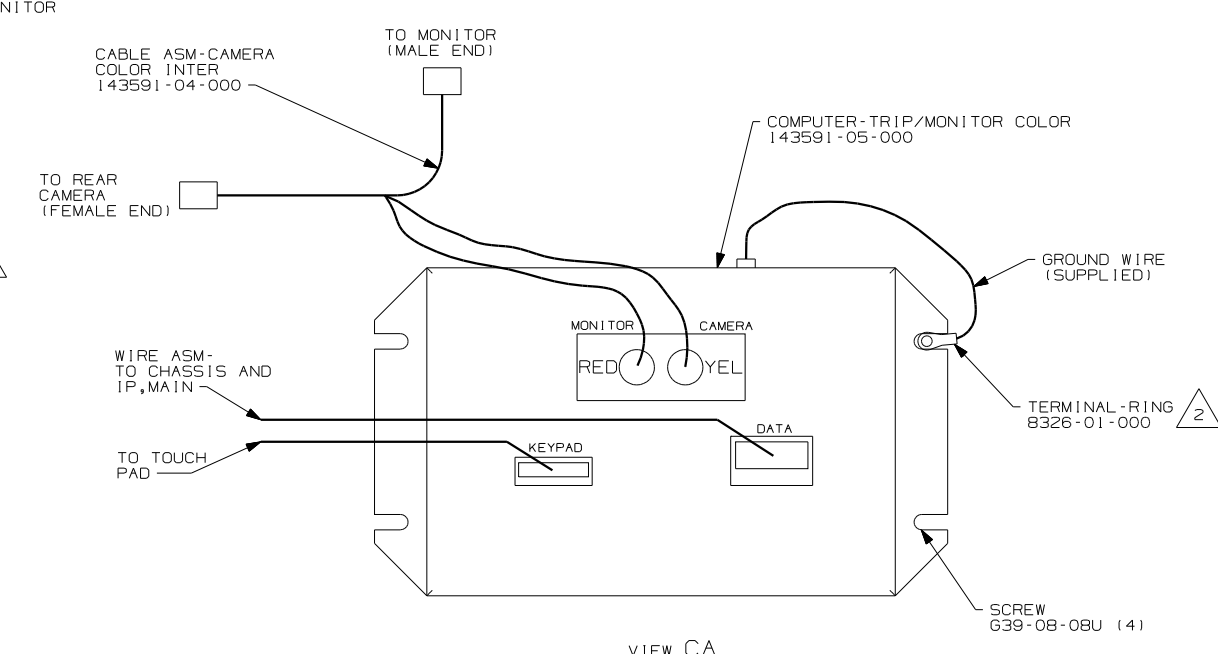
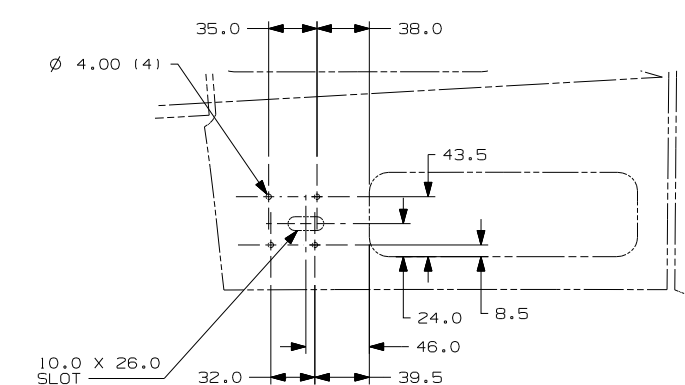
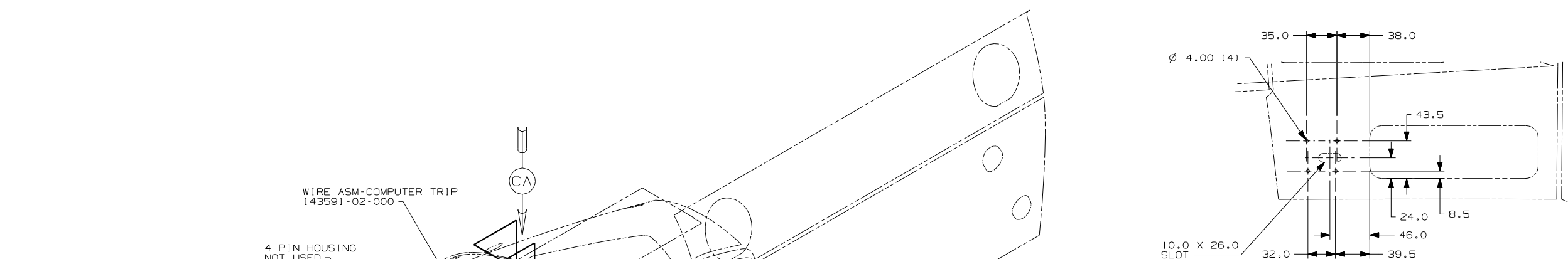


- NOTES:
- △ 2 ATTACH RING TERMINAL TO GROUND STUD NEAR STEERING COLUMN.
  - △ 1 USE VENDER SUPPLIED NUTS.

42V VCR/SWITCHING SYSTEM

42V 0-SERIES

FIRST USED	04 P,Q&S SER
DO NOT SCALE DRAWING	
TITLE: WIRING INSTL-TRIP COMPUTER	
SHEET 2	PART NO 144995



(X-X)  
FOR ELECTRICAL CALLOUTS SEE DWG NO. 121339-01-000

- NOTES:
- 5 LOCATION ON CHASSIS W/MMDC WIRING
  - 4 LOCATION ON CHASSIS W/SYSTEM 3 WIRING
  - 3 REMOVE TRIP TEK'S 6 POSITION HOUSING, LOCATE THE CHASSIS DIAGNOSTIC CONNECTOR AND SPLICE AT LEAST 150MM FROM CONNECTOR INTO THE TWISTED PAIR CIRCUITS WITH CONNECTOR 58028-01-000 AS FOLLOWS: FREIGHTLINER (MMDC WIRING)-RED TO GREEN, WHITE TO ORANGE. WORKHORSE DIESEL PUSHER-RED TO TAN/BLK, WHITE TO WHT/BLK.
  - 2 ADD RING TERMINAL TO EXISTING GROUND AND MOUNT UNDER COMPUTER MOUNTING SCREW.
  - 1 USE VENDOR SUPPLIED NUTS.

42V VCR/SWITCHING SYSTEM	
42V S-SERIES	
FIRST USED 04 P, Q&S SER	
DO NOT SCALE DRAWING	
TITLE: WIRING INSTL-TRIP COMPUTER	
SHEET 3	PART NO 144995