



**DANGER**

**Danger of electrical shock, burns or death.** Always remove all power sources before attempting any repair, service or diagnostic work. Power can be present from shore power, generator, inverter or battery. All power sources must be disabled and secured before performing any service.

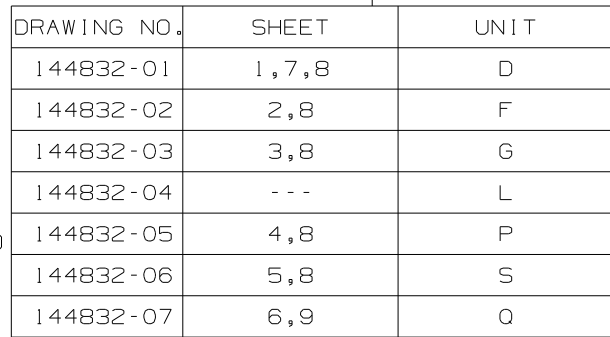


**CAUTION**

If you lack the skills, tools or equipment to perform diagnostic or repair work leave such work to an authorized Winnebago Industries dealer or other qualified shop.

DRAWING NO.	SHEET	UNIT
144832-01	1,7,8	D
144832-02	2,8	F
144832-03	3,8	G
144832-04	---	L
144832-05	4,8	P
144832-06	5,8	S
144832-07	6,9	Q

RELEASE	REV/DATE	DWG NO
A		144832
REV ZONE	REVISION RECORD	DATE DFR-016



- PLATE-SAT PREP  
 134006-01-CHT  
 LABEL  
 134250-01-CHT  
 ADAPTER  
 082134-01-000 (2)  
 NUT  
 082136-01-000 (2)  
 SCREW  
 667-10-08U (2)

RCP-2  
LEFT COMPONENT

RCP-2  
RIGHT COMPONENT

WIRE FROM ROOF

WIRE FROM SIDEWALL

PLATE-WALL, ANTENNA  
 86784-01-CHT  
 86784-03-CHT

CONTROL CENTER-SWITCHING  
 86757-04-000  
 FASTENER DUAL-LOCK  
 85774-01-000  
 85774-02-000

INVERTER-130 WATT  
 99048-03-000  
 SCREW  
 667-08-08U (4)

DVD/VCR  
 146355-01-000  
 FASTENER DUAL-LOCK  
 85774-01-000  
 85774-02-000

TV-25"  
 146356-01-000

- 25G DVD/VCR, STEREO, W/REMOTE
- 193 TV ANTENNA-AMPLIFIED SYSTEM
- 42Z TV-25" COLOR STEREO
- 40F INVERTER-DC/AC-130 WATT
- 1JC TV-13" W/VIDEO SELECTION SYS
- 265 CODES/STANDARDS-CSA/CMVSS
- 1B1 CODES/STANDARDS-USA

04 D-SERIES



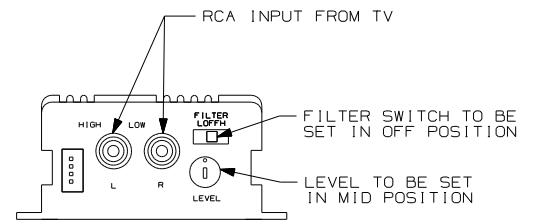
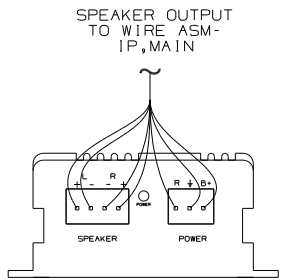
DFTR	ORIG. DATE
CHKR	ALL DIMENSIONS ARE IN MILLIMETERS
P.E.	
M.E.	FIRST USED
DSNR	04 A-BODIES
UNSPECIFIED TOLERANCES ARE:	MATERIAL:
HOLE DIM (X)	:
ONE-PLACE (X.X)	:
TWO-PLACE (X.XX)	:
ANGLE	:
THIRD ANGLE PROJECTION	

DO NOT SCALE DRAWING

TITLE:	WIRING INSTL-TV/VCR, FRONT
SHEET 1 OF 9	PART NO 144832

FOR ELECTRICAL CALLOUTS SEE DWG NO. 121339-01-000

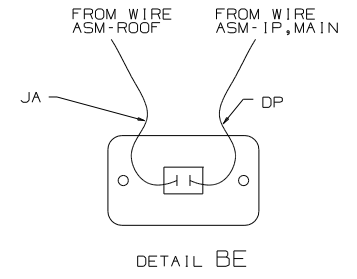
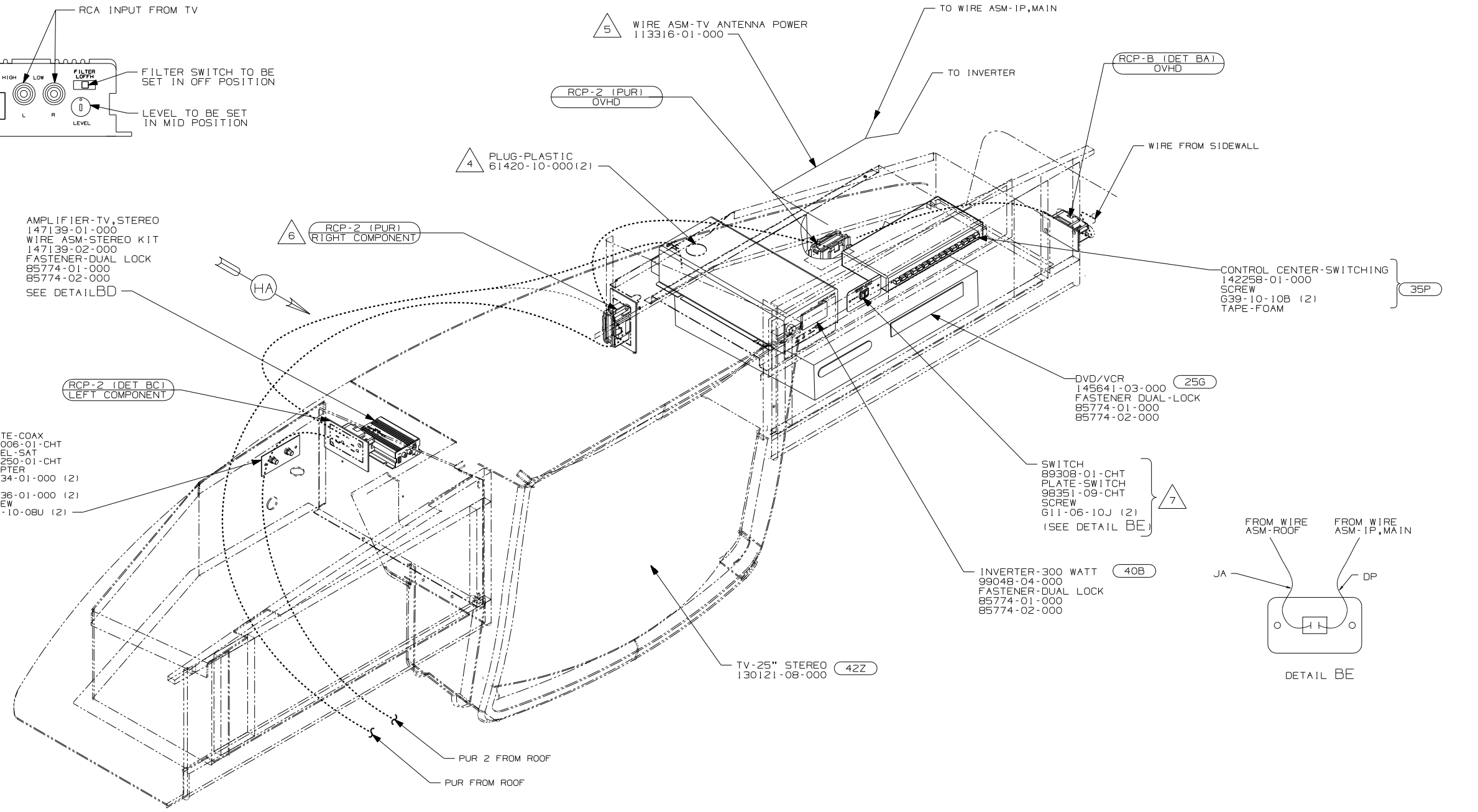
- NOTES:
- 110V WIRES TO BE SECURED WITH CLAMP 10497-05-000 & SCREW G39-10-12B OR TIE-WIRE MOUNT 92909-01-000 & SCREW 8343-03-000 WITHIN 200MM OF OUTLET BOXES.
  - ALL WIRES TO BE SECURED WITH CLAMP 10495-01-000 OR CLIP 80734-01-000 EVERY 600MM. USE SCREW G39-10-12B UNLESS OTHERWISE SPECIFIED.
  - WHERE WIRES PASS THROUGH HOLES IN STEEL AND NOT OTHERWISE PROTECTED, USE GROMMET 92908-02-000.
  - WHEN THE INVERTER IS USED IN CONJUNCTION WITH VINYL COVERED PANEL REMOVE FABRIC FROM HOLES SUPPLIED IN DIELECTRIC PANEL FOR VENTILATION.
  - FRONT TV OPTION NOT AVAILABLE ON L-SERIES.



DETAIL BD

- AMPLIFIER-TV, STEREO 147139-01-000
- WIRE ASM-STEREO KIT 147139-02-000
- FASTENER-DUAL LOCK 85774-01-000
- 85774-02-000
- SEE DETAIL BD

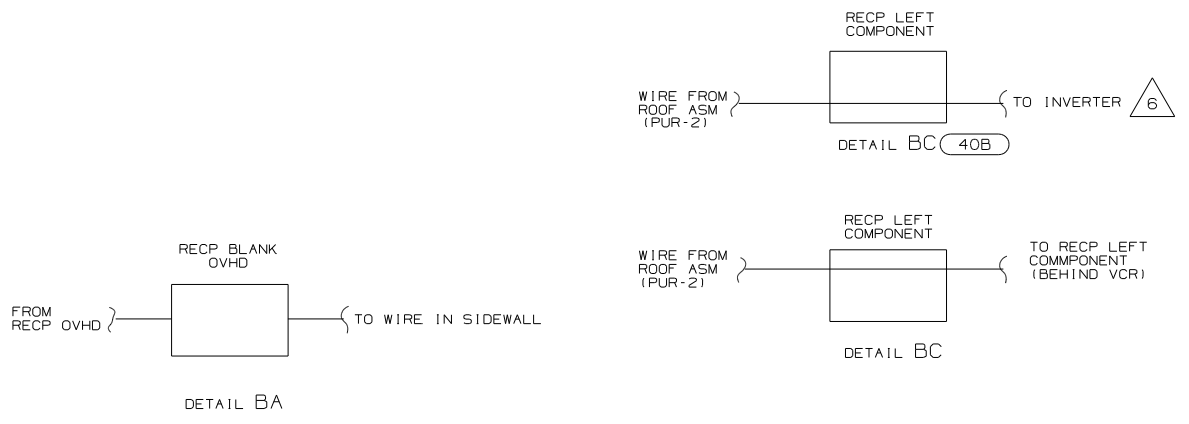
- PLATE-COAX 134006-01-CHT
- LABEL-SAT 134250-01-CHT
- ADAPTER 82134-01-000 (2)
- NUT 82136-01-000 (2)
- SCREW 667-10-08U (2)



- 7 REMOVE VINYL FROM CUTOUT AT INSTALLATION.
- 6 CONNECT PURPLE-2 TO INVERTER WITH FEATURE 40B
- 5 FOR USE WITH SHELLS ONLY.
- 4 SLIT AS NEEDED TO RUN WIRES.

- WHERE WIRES PASS THROUGH HOLES IN STEEL AND NOT OTHERWISE PROTECTED, USE GROMMET 92908-02-000.
- ALL WIRES TO BE SECURED WITH CLAMP 10495-01-000 OR CLIP 80734-01-000 EVERY 600MM. USE SCREW G39-10-12B UNLESS OTHERWISE SPECIFIED.
- 110V WIRES TO BE SECURED WITH CLAMP 10497-05-000 & SCREW G39-10-12B OR TIE-WIRE MOUNT 92909-01-000 & TIE-WIRE 8343-03-000 WITHIN 200MM OF OUTLET BOXES.

NOTES:

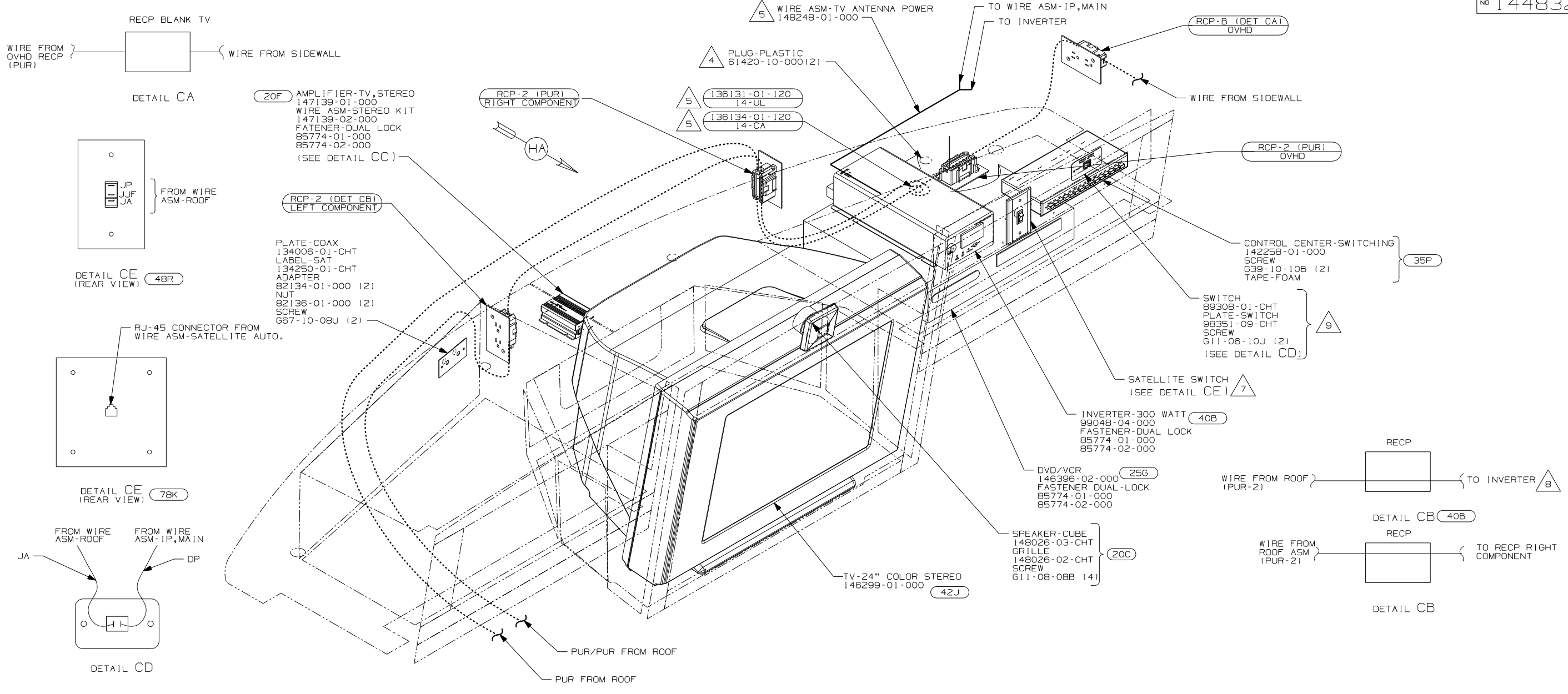


- 42Z TV-25" COLOR STEREO
- 40B INVERTER-DC/AC, 300 WATT
- 35P VIDEO SELECTION SYSTEM
- 25G DVD/VCR, STEREO, W/REMOTE

04 F-SERIES

FIRST USED	04 A-BODIES
DO NOT SCALE DRAWING	
TITLE	WIRING INSTL-TV/VCR, FRONT
SHEET 2	PART NO 144832

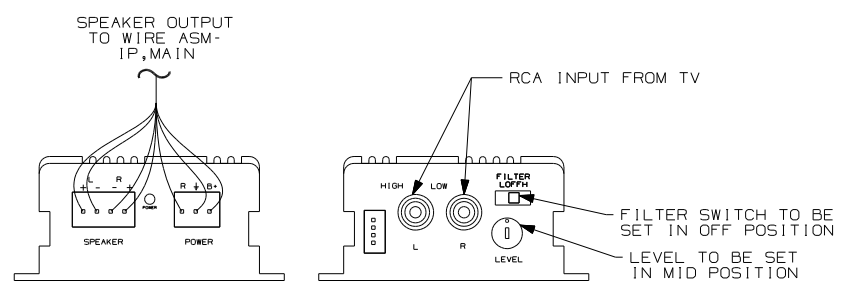
X-X FOR DETAIL CALLOUTS SEE DWG NO. 130375-01-000



- 9 REMOVE VINYL FROM CUTOUT AT INSTALLATION.
- 8 CONNECT PURPLE-2 TO INVERTER WITH FEATURE 40B
- 7 SWITCH SUPPLIED WITH SATELLITE DISH, SEE WIRING INSTL-BODY, 12V FOR ADDITIONAL INFORMATION.
- 6 NOT USED WITH FEATURE 20C
- 5 FOR USE WITH SHELLS ONLY.
- 4 SLIT AS NEEDED TO RUN WIRES.

3. WHERE WIRES PASS THROUGH HOLES IN STEEL AND NOT OTHERWISE PROTECTED, USE GROMMET 92908-02-000.
2. ALL WIRES TO BE SECURED WITH CLAMP 10495-01-000 OR CLIP 80734-01-000 EVERY 600MM. USE SCREW G39-10-12B UNLESS OTHERWISE SPECIFIED.
1. 110V WIRES TO BE SECURED WITH CLAMP 10497-05-000 & SCREW G39-10-12B OR TIE-WIRE MOUNT 92909-01-000 & TIE-WIRE 8343-03-000 WITHIN 200MM OF OUTLET BOXES.

NOTES:



20F DETAIL CC 6

- 78K SATELLITE DISH-AUTOMATIC
- 48R SAT SYS IN-MOTION W/O RCVR
- 42J TV-24" COLOR, STEREO W/REMOTE
- 40B INVERTER-DC/AC, 300 WATT
- 35P VIDEO SELECTION SYSTEM
- 25G DVD/VCR, STEREO, W/REMOTE
- 20F DELUXE SOUND SYSTEM-WITHOUT
- 20C SOUND SYS. DLX. W/O-SURROUND

04 G-SERIES

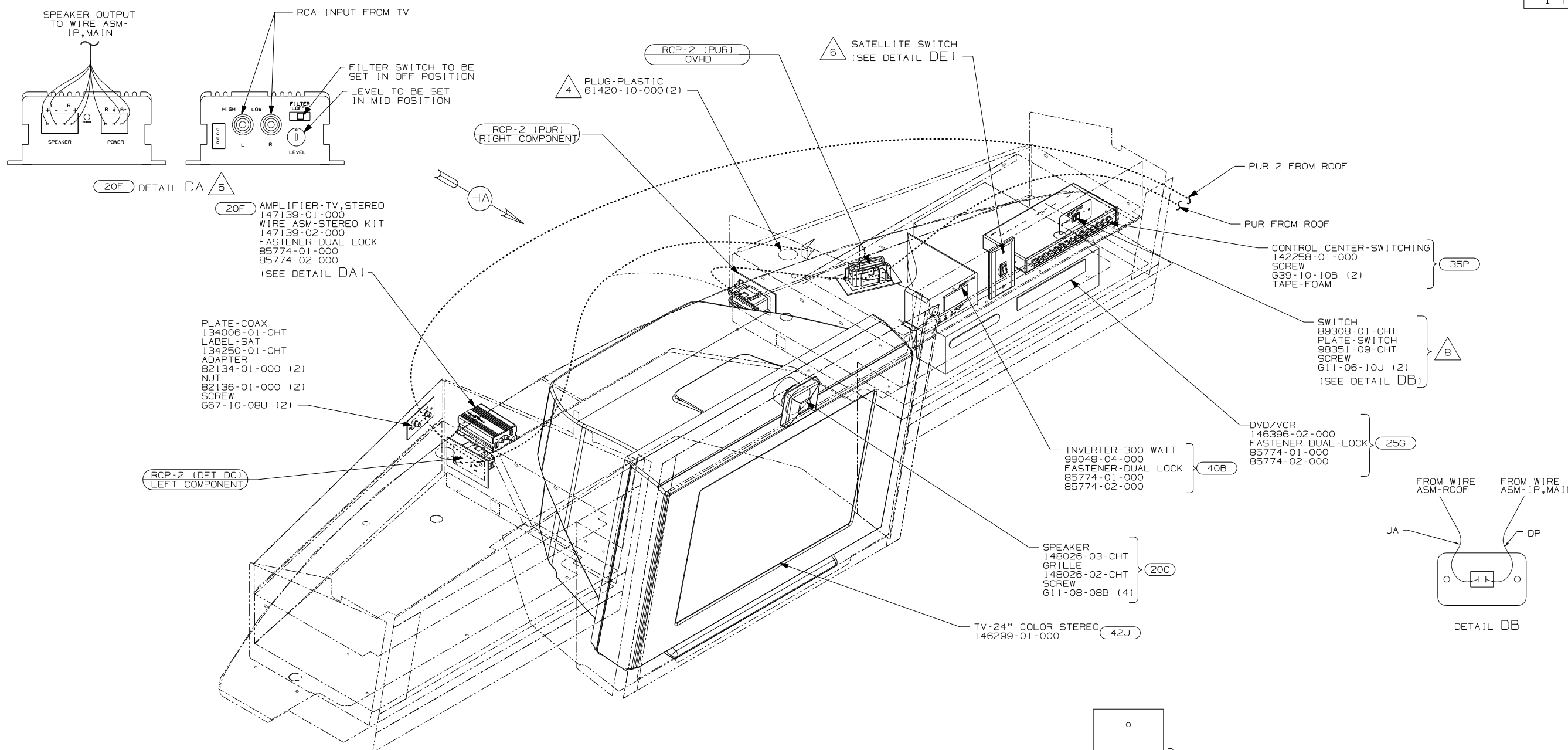
04 A-BODIES

DO NOT SCALE DRAWING

TITLE: WIRING INSTL-TV/VCR, FRONT

SHEET 3 PART NO 144832

FOR ELECTRICAL CALLOUTS SEE DWG NO. 121339-01-000



- 20F AMPLIFIER-TV, STEREO  
 147139-01-000 WIRE ASM-STEREO KIT  
 147139-02-000 FASTENER-DUAL LOCK  
 85774-01-000 85774-02-000  
 (SEE DETAIL DA)

- PLATE-COAX  
 134006-01-CHT LABEL-SAT  
 134250-01-CHT ADAPTER  
 82134-01-000 (2) NUT  
 82136-01-000 (2) SCREW  
 667-10-08U (2)

- CONTROL CENTER-SWITCHING  
 142258-01-000 SCREW  
 639-10-10B (2) TAPE-FOAM

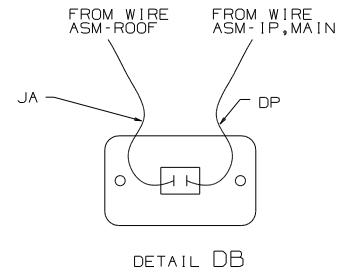
- SWITCH  
 89308-01-CHT PLATE-SWITCH  
 98351-09-CHT SCREW  
 611-06-10J (2)  
 (SEE DETAIL DB)

- DVD/VCR  
 146396-02-000 FASTENER DUAL-LOCK  
 85774-01-000 85774-02-000

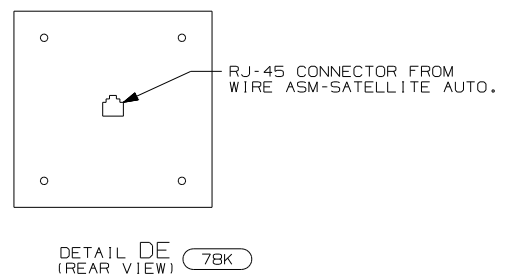
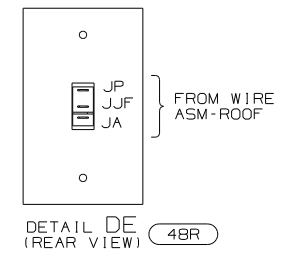
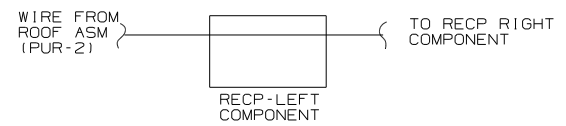
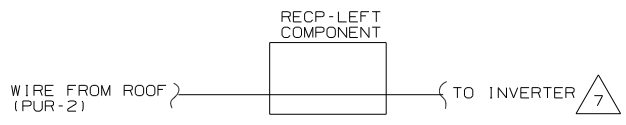
- INVERTER-300 WATT  
 99048-04-000 FASTENER-DUAL LOCK  
 85774-01-000 85774-02-000

- SPEAKER  
 148026-03-CHT GRILLE  
 148026-02-CHT SCREW  
 611-08-08B (4)

TV-24" COLOR STEREO  
 146299-01-000



- 8 REMOVE VINYL FROM CUTOUT AT INSTALLATION.  
 7 CONNECT PURPLE-2 TO INVERTER WITH FEATURE 40B  
 6 SWITCH SUPPLIED WITH SATELLITE DISH, SEE WIRING INSTL-BODY, 12V FOR ADDITIONAL INFORMATION.  
 5 NOT USED WITH FEATURE 20C  
 4 SLIT AS NEEDED TO RUN WIRES.
3. WHERE WIRES PASS THROUGH HOLES IN STEEL AND NOT OTHERWISE PROTECTED, USE GROMMET 92908-02-000.
2. ALL WIRES TO BE SECURED WITH CLAMP 10495-01-000 OR CLIP 80734-01-000 EVERY 600MM. USE SCREW 639-10-12B UNLESS OTHERWISE SPECIFIED.
1. 110V WIRES TO BE SECURED WITH CLAMP 10497-05-000 & SCREW 639-10-12B OR TIE-WIRE MOUNT 92909-01-000 & TIE-WIRE 8343-03-000 WITHIN 200MM OF OUTLET BOXES.



- 79J INVERTER/CHARGER-1,500 WATT  
 78K SATELLITE DISH-AUTOMATIC  
 48R SAT SYS IN-MOTION W/O RCVR  
 42J TV-24" COLOR, STEREO W/REMOTE  
 40B INVERTER-DC/AC, 300 WATT  
 35P VIDEO SELECTION SYSTEM  
 25G DVD/VCR, STEREO, W/REMOTE  
 20F DELUXE SOUND SYSTEM-WITHOUT  
 20C SOUND SYS. DLX. W/O-SURROUND

04 P-SERIES	
FIRST USED	04 A-BODIES
DO NOT SCALE DRAWING	
TITLE	WIRING INSTL-TV/VCR, FRONT
SHEET 4	PART NO 144832

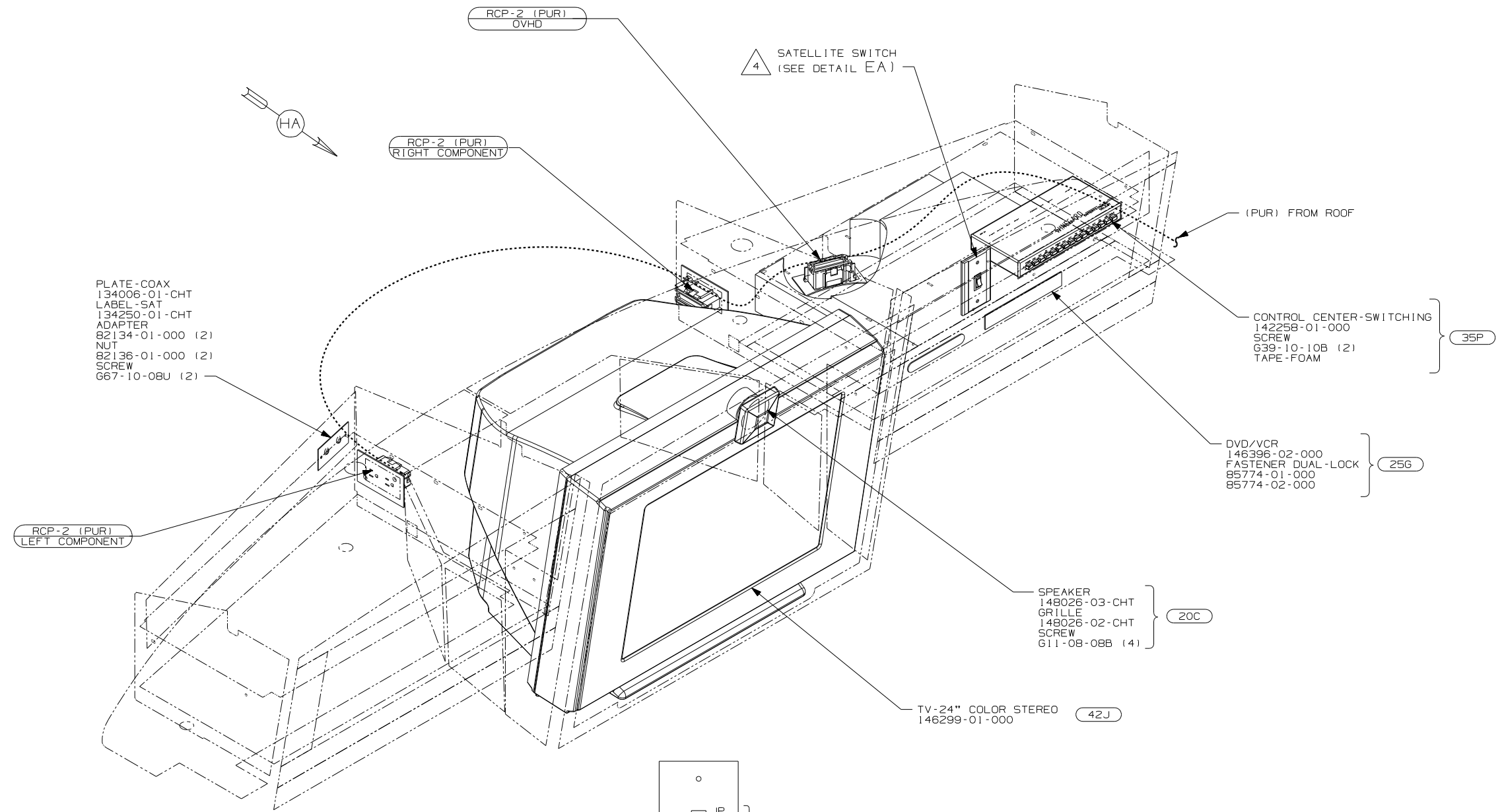


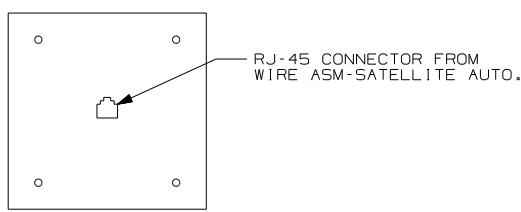
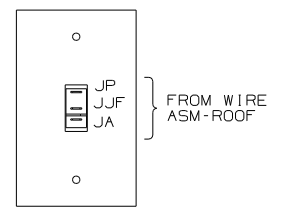
PLATE-COAX  
134006-01-CHT  
LABEL-SAT  
134250-01-CHT  
ADAPTER  
82134-01-000 (2)  
NUT  
82136-01-000 (2)  
SCREW  
G67-10-08U (2)

(PUR) FROM ROOF  
CONTROL CENTER-SWITCHING  
142258-01-000  
SCREW  
G39-10-10B (2)  
TAPE-FOAM

DVD/VCR  
146396-02-000  
FASTENER DUAL-LOCK  
85774-01-000  
85774-02-000

SPEAKER  
148026-03-CHT  
GRILLE  
148026-02-CHT  
SCREW  
G11-08-08B (4)

TV-24\"/>

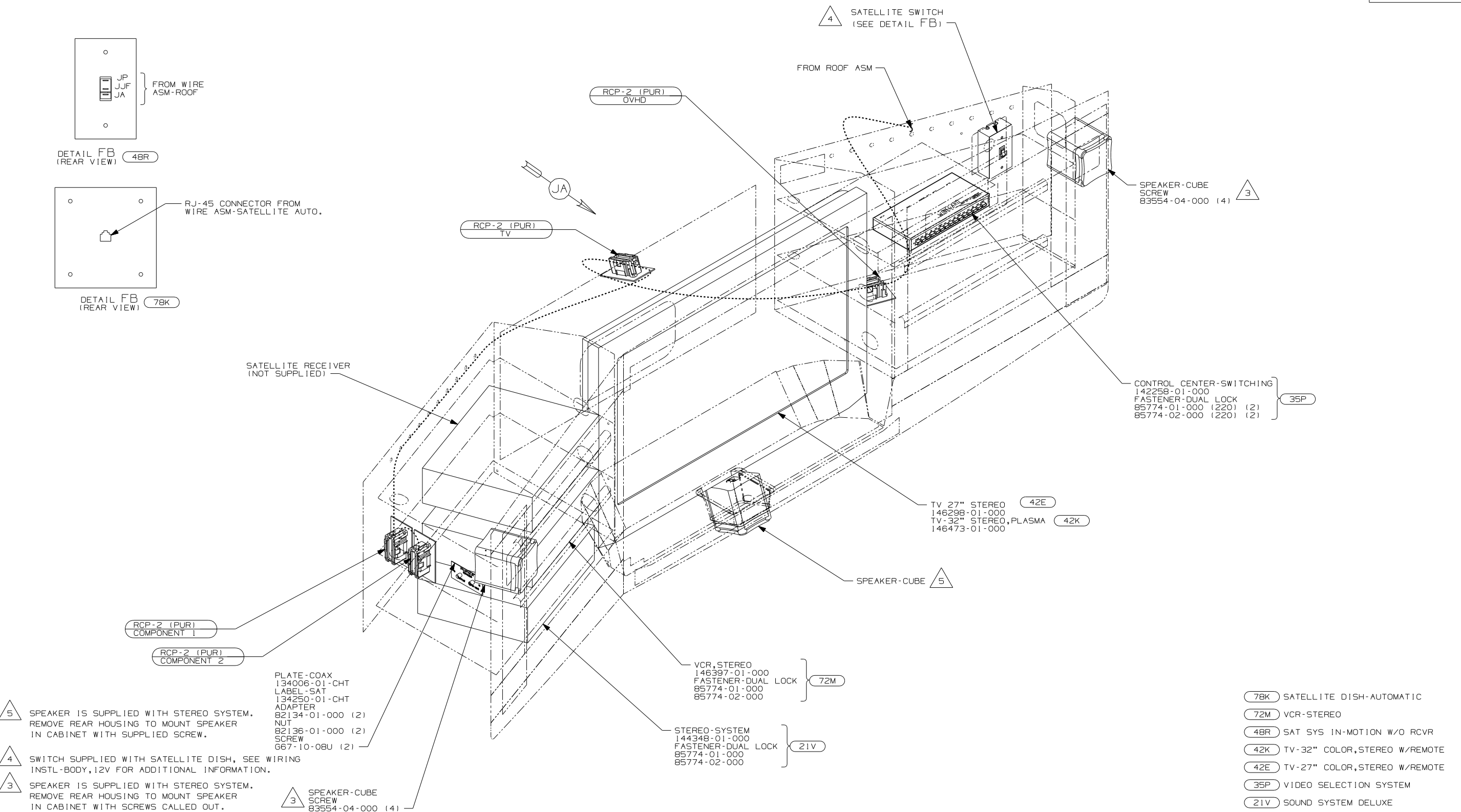
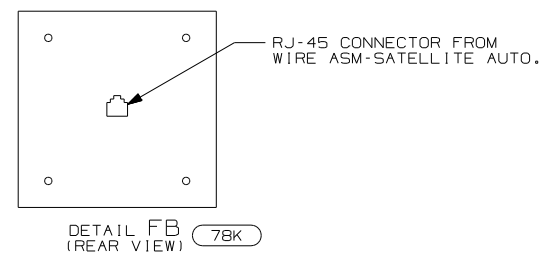
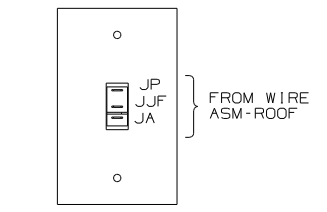


- 78K SATELLITE DISH-AUTOMATIC
- 48R SAT SYS IN-MOTION W/O RCVR
- 42J TV-24\"/>

- 4 SWITCH SUPPLIED WITH SATELLITE DISH, SEE WIRING INSTL-BODY, 12V FOR ADDITIONAL INFORMATION.
3. WHERE WIRES PASS THROUGH HOLES IN STEEL AND NOT OTHERWISE PROTECTED, USE GROMMET 92908-02-000.
  2. ALL WIRES TO BE SECURED WITH CLAMP 10495-01-000 OR CLIP 80734-01-000 EVERY 600MM. USE SCREW G39-10-12B UNLESS OTHERWISE SPECIFIED.
  1. 110V WIRES TO BE SECURED WITH CLAMP 10497-05-000 & SCREW G39-10-12B OR TIE-WIRE MOUNT 92909-01-000 & TIE-WIRE 8343-03-000 WITHIN 200MM OF OUTLET BOXES.

NOTES:

04 S-SERIES	
FIRST USED	04 A-BODIES
DO NOT SCALE DRAWING	
TITLE: WIRING INSTL-TV/VCR,FRONT	
SHEET 5	PART NO 144832



- 5. SPEAKER IS SUPPLIED WITH STEREO SYSTEM. REMOVE REAR HOUSING TO MOUNT SPEAKER IN CABINET WITH SUPPLIED SCREW.
- 4. SWITCH SUPPLIED WITH SATELLITE DISH, SEE WIRING INSTL-BODY,12V FOR ADDITIONAL INFORMATION.
- 3. SPEAKER IS SUPPLIED WITH STEREO SYSTEM. REMOVE REAR HOUSING TO MOUNT SPEAKER IN CABINET WITH SCREWS CALLED OUT.

2. ALL WIRES TO BE SECURED WITH CLAMP 10495-01-000 OR CLIP 80734-01-000 EVERY 600MM. USE SCREW G39-10-12B UNLESS OTHERWISE SPECIFIED.
1. 110V WIRES TO BE SECURED WITH CLAMP 10497-05-000 & SCREW G39-10-12B OR TIE-WIRE MOUNT 92909-01-000 & TIE-WIRE 8343-03-000 WITHIN 200MM OF OUTLET BOXES.

NOTES:

- PLATE-COAX 134006-01-CHT
- LABEL-SAT 134250-01-CHT
- ADAPTER 82134-01-000 (2)
- NUT 82136-01-000 (2)
- SCREW 667-10-08U (2)

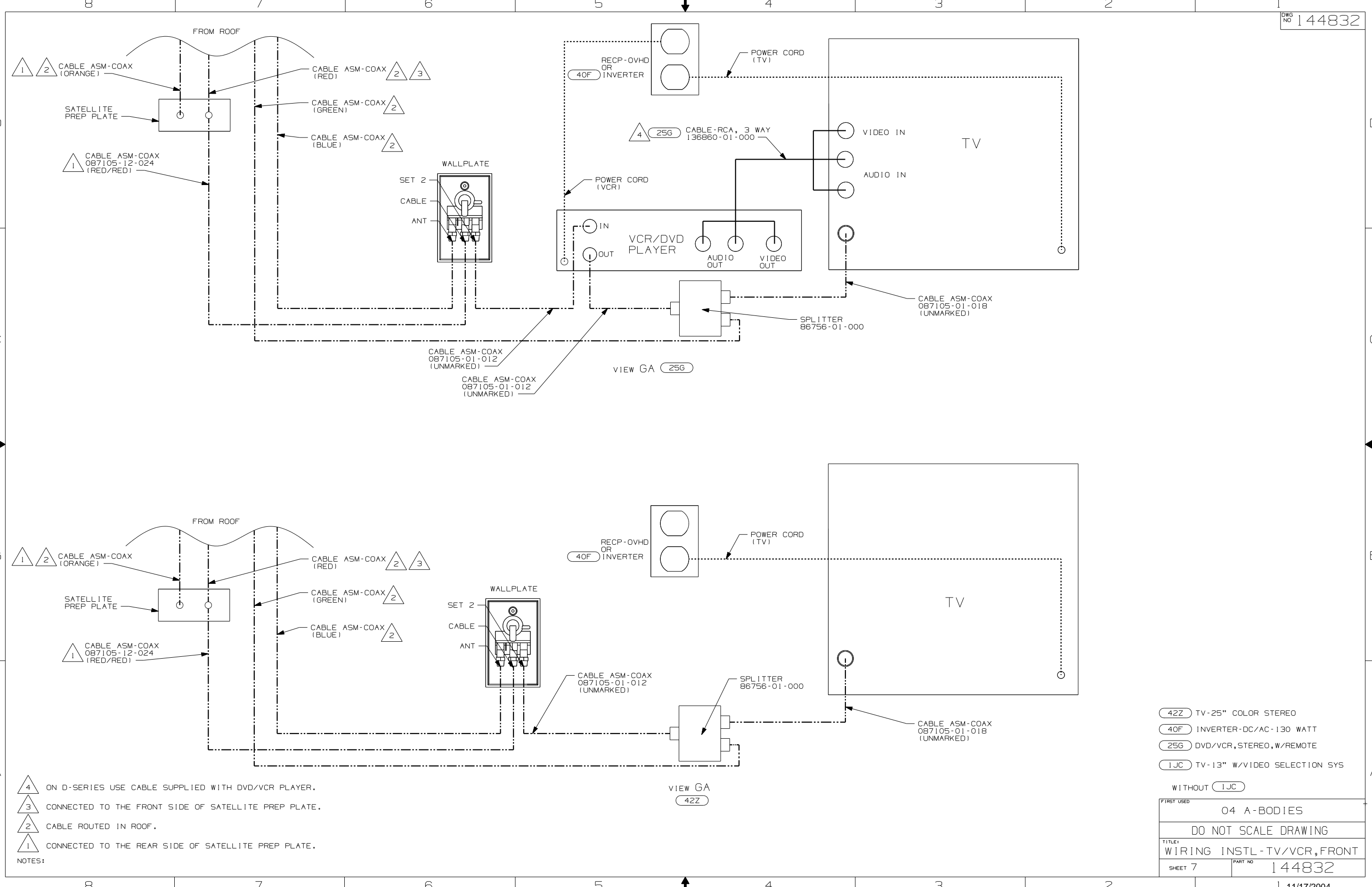
- 3. SPEAKER-CUBE SCREW 83554-04-000 (4)

- VCR, STEREO 146397-01-000
- FASTENER-DUAL LOCK 85774-01-000
- 85774-02-000

- STEREO-SYSTEM 144348-01-000
- FASTENER-DUAL LOCK 85774-01-000
- 85774-02-000

- 78K SATELLITE DISH-AUTOMATIC
- 72M VCR-STEREO
- 48R SAT SYS IN-MOTION W/O RCVR
- 42K TV-32" COLOR, STEREO W/REMOTE
- 42E TV-27" COLOR, STEREO W/REMOTE
- 35P VIDEO SELECTION SYSTEM
- 21V SOUND SYSTEM DELUXE

04 Q-SERIES ADVANTAGE	
FIRST USED	04 A-BODIES
DO NOT SCALE DRAWING	
TITLE	WIRING INSTL - TV/VCR,FRONT
SHEET 6	PART NO 144832

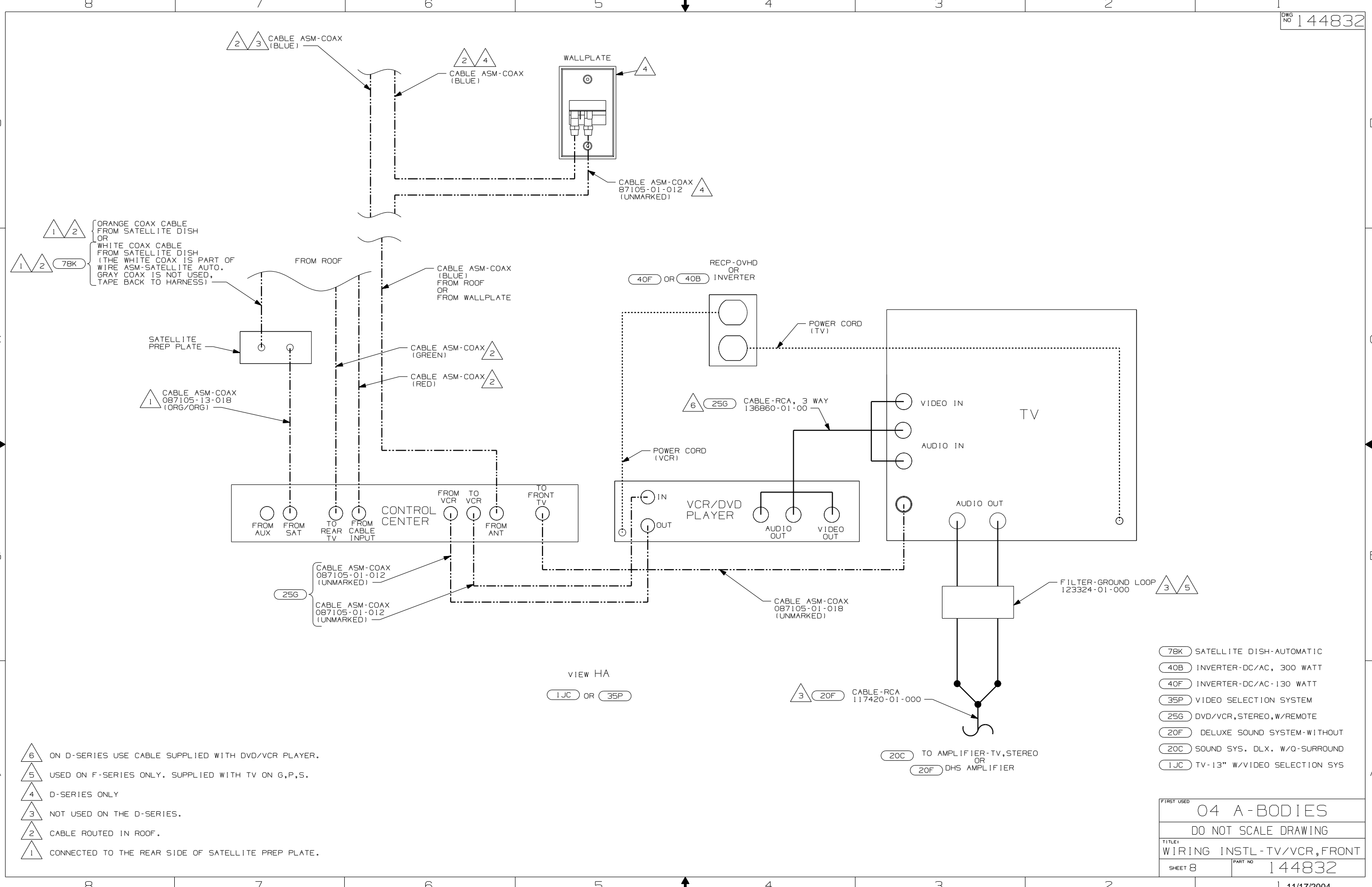


- NOTES:
- 4 ON D-SERIES USE CABLE SUPPLIED WITH DVD/VCR PLAYER.
  - 3 CONNECTED TO THE FRONT SIDE OF SATELLITE PREP PLATE.
  - 2 CABLE ROUTED IN ROOF.
  - 1 CONNECTED TO THE REAR SIDE OF SATELLITE PREP PLATE.

- 42Z TV-25" COLOR STEREO
  - 40F INVERTER-DC/AC-130 WATT
  - 25G DVD/VCR, STEREO, W/REMOTE
  - 1JC TV-13" W/VIDEO SELECTION SYS
- WITHOUT 1JC

FIRST USED	04 A-BODIES
DO NOT SCALE DRAWING	
TITLE: WIRING INSTL - TV/VCR, FRONT	
SHEET 7	PART NO 144832

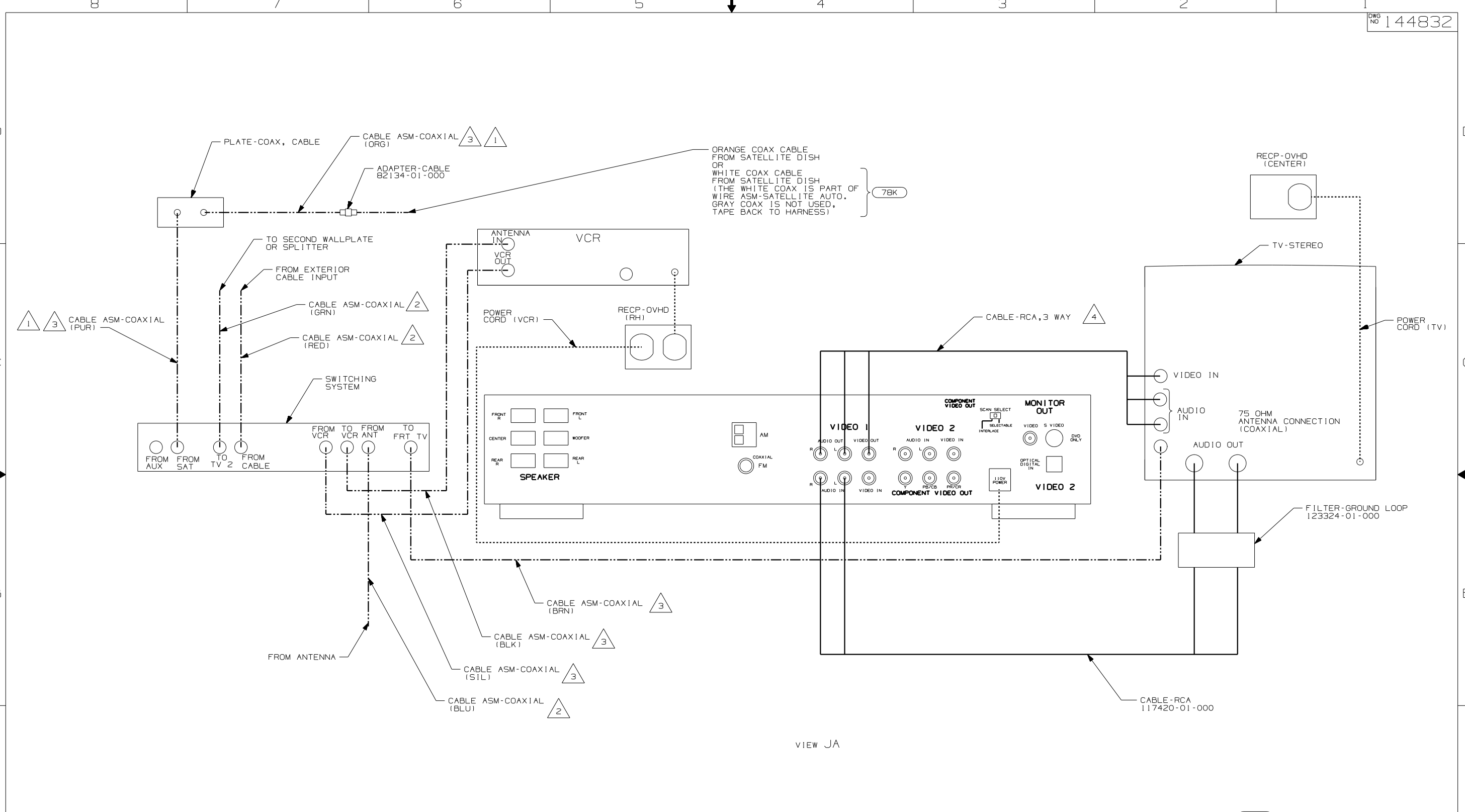




- △ 6 ON D-SERIES USE CABLE SUPPLIED WITH DVD/VCR PLAYER.
- △ 5 USED ON F-SERIES ONLY. SUPPLIED WITH TV ON G,P,S.
- △ 4 D-SERIES ONLY
- △ 3 NOT USED ON THE D-SERIES.
- △ 2 CABLE ROUTED IN ROOF.
- △ 1 CONNECTED TO THE REAR SIDE OF SATELLITE PREP PLATE.

- 78K SATELLITE DISH-AUTOMATIC
- 40B INVERTER-DC/AC, 300 WATT
- 40F INVERTER-DC/AC-130 WATT
- 35P VIDEO SELECTION SYSTEM
- 25G DVD/VCR, STEREO, W/REMOTE
- 20F DELUXE SOUND SYSTEM-WITHOUT
- 20C SOUND SYS. DLX. W/O-SURROUND
- 1JC TV-13" W/VIDEO SELECTION SYS

FIRST USED	
04 A-BODIES	
DO NOT SCALE DRAWING	
TITLE:	
WIRING INSTL - TV/VCR, FRONT	
SHEET 8	PART NO 144832



VIEW JA

- △4 SUPPLIED WITH DVD PLAYER
- △3 CABLE IS PART OF WIRE ASM-COAX, FRONT ENT CTR 136766-01-00
- △2 CABLE ROUTED IN ROOF.
- △1 CONNECTED TO THE REAR SIDE OF SATELLITE PREP PLATE.

78K SATELLITE DISH-AUTOMATIC

FIRST USED	04 A-BODIES
DO NOT SCALE DRAWING	
TITLE	WIRING INSTL - TV/VCR, FRONT
SHEET 9	PART NO 144832