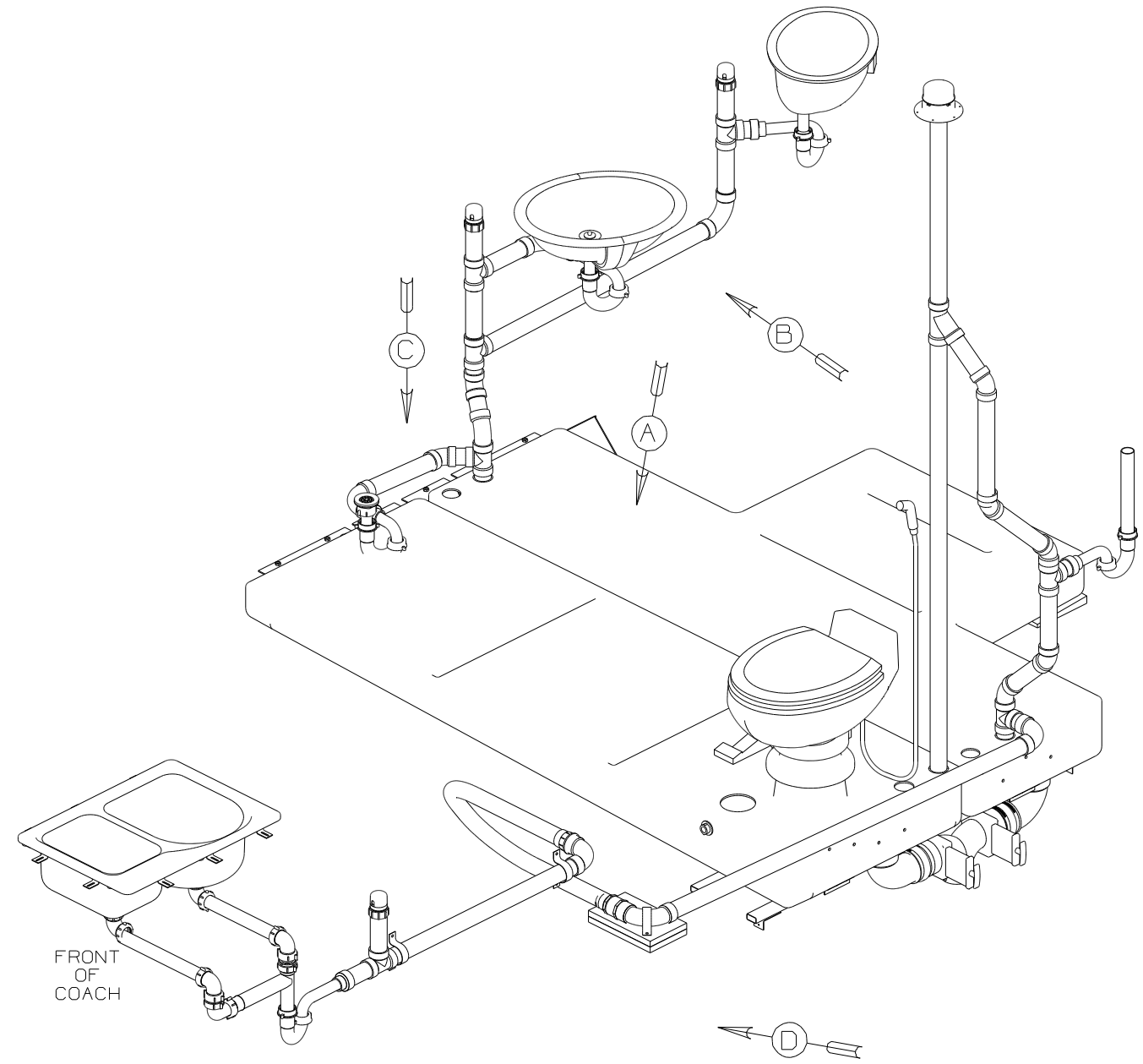


DWG NO	----
146319-01	(WIN)
146319-02	(ITA)

RELEASE	REV DATE	DWG NO	146319
REV ZONE	REVISION RECORD	DATE	DTR-0R16



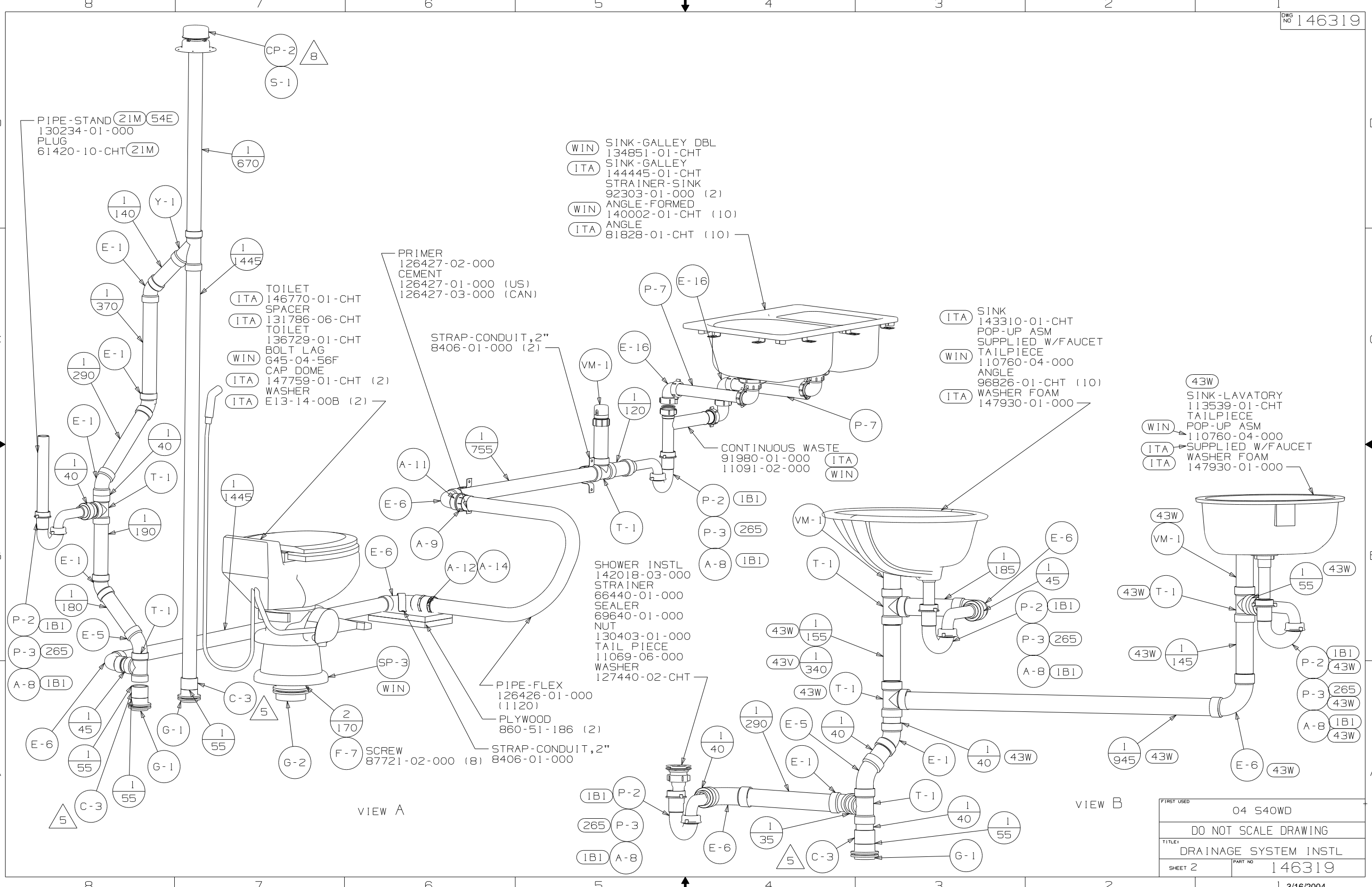
- (WIN) WINNEBAGO ONLY
- (ITA) ITASCA ONLY
- (IB1) CODES/STANDARDS-USA
- (265) CODES/STDS-CSA/CMVSS
- (54E) WASHER/DRYER
- (21M) WASHER/DRYER PREP
- (43W) CABINET-LAVATORY
- (43V) CABINET-CHEST OF DRAWERS

- 8 VENT PIPE MUST PROJECT 51 MIN AND 64 MAX. ABOVE ROOF FOR PROPER FIT AND FUNCTION.
7. SEE DWG 61607-01-000 FOR INSTL OF GROMMETS.
6. SEAL ALL AROUND SHOWER WITH SILICONE.
- 5 SECURE VENT TUBES TO FLOOR WITH BRACKET.
4. ALL EXTERIOR OPENINGS AROUND PIPE TO BE SEALED WITH 110744-01-000.
3. ALL PIPE AND FITTINGS TO BE ASSEMBLED WITH SOLVENT 4020-01-000 (US), 4020-02-000 (CAN).
2. SLOPE OF TRAP ARM MUST BE 6 PER 305 MM.
1. SLOPE OF HORIZONTAL PIPING TO BE 6 PER 305 mm.

NOTES:

(X-X)  
FOR DRAINAGE CALLOUTS SEE DWG NO 116229-01-000

<b>WINNEBAGO</b>		COPYRIGHT 2004 WINNEBAGO INDUSTRIES, INC.	
DTR	ORIG. DATE	ALL DIMENSIONS ARE IN MILLIMETERS	
CHKR		FIRST USED	
P.E.		04 S40WD	
M.E.		UNSPECIFIED TOLERANCES ARE:	
DSNR		MATERIAL:	
		WHOLE DIM (X) :	3
		ONE-PLACE (X.X) :	
		TWO-PLACE (X.XX) :	
		ANGLE :	
THIRD ANGLE PROJECTION		DO NOT SCALE DRAWING	
TITLE: DRAINAGE SYSTEM INSTL			
SHEET 1 OF 3	PART NO	146319	



- (WIN) SINK-GALLEY DBL  
134851-01-CHT
- (ITA) SINK-GALLEY  
144445-01-CHT
- (ITA) STRAINER-SINK  
92303-01-000 (2)
- (WIN) ANGLE-FORMED  
140002-01-CHT (10)
- (ITA) ANGLE  
81828-01-CHT (10)

- (ITA) TOILET  
146770-01-CHT
- (ITA) SPACER  
131786-06-CHT
- (ITA) TOILET  
136729-01-CHT
- (WIN) BOLT LAG  
G45-04-56F
- (ITA) CAP DOME  
147759-01-CHT (2)
- (ITA) WASHER  
E13-14-00B (2)

- (ITA) SINK  
143310-01-CHT
- (ITA) POP-UP ASM  
SUPPLIED W/FAUCET
- (WIN) TAILPIECE  
110760-04-000
- (ITA) ANGLE  
96826-01-CHT (10)
- (ITA) WASHER FOAM  
147930-01-000

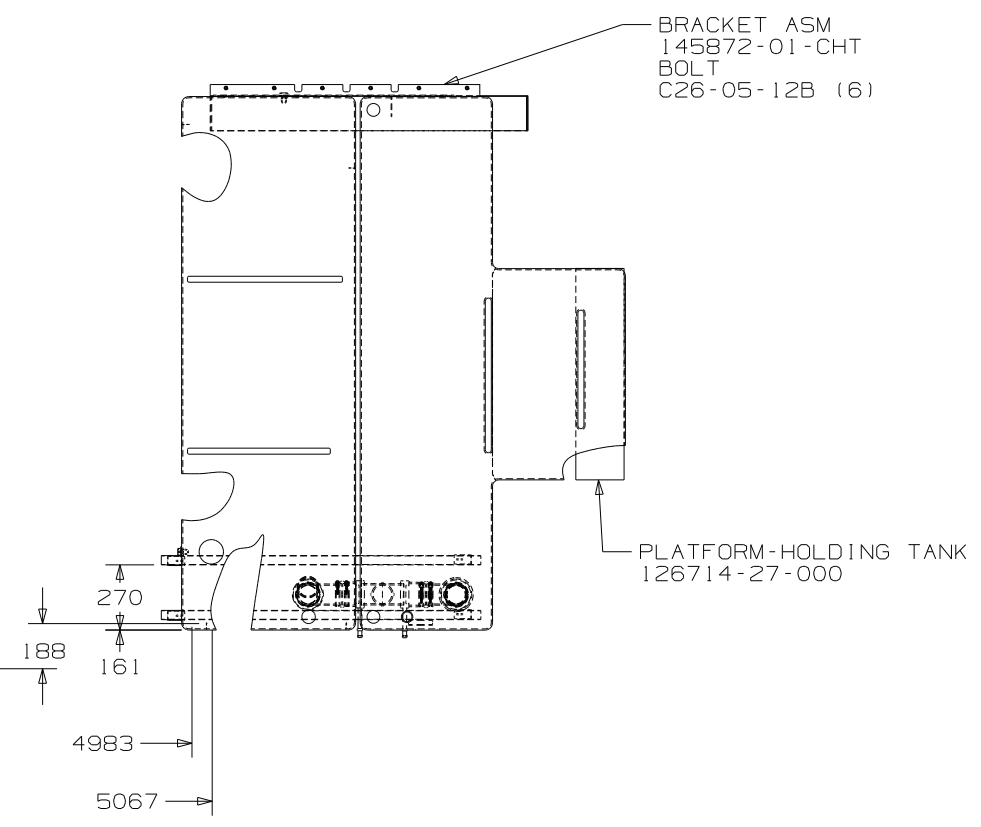
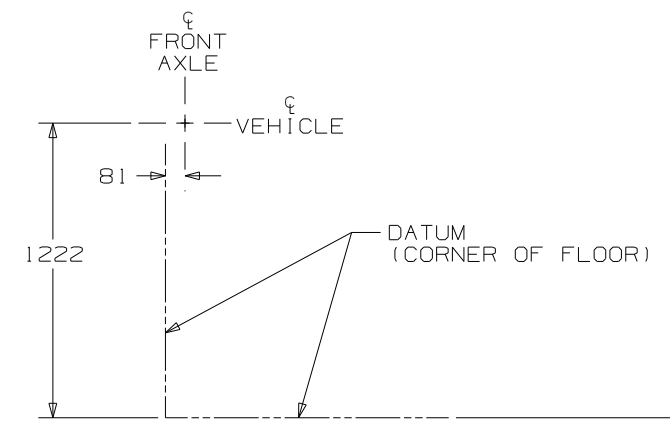
- (43W) SINK-LAVATORY  
113539-01-CHT
- (WIN) TAILPIECE  
POP-UP ASM  
110760-04-000
- (ITA) SUPPLIED W/FAUCET
- (ITA) WASHER FOAM  
147930-01-000

- (ITA) SHOWER INSTL  
142018-03-000
- (ITA) STRAINER  
66440-01-000
- (ITA) SEALER  
69640-01-000
- (ITA) NUT  
130403-01-000
- (ITA) TAIL PIECE  
11069-06-000
- (ITA) WASHER  
127440-02-CHT

VIEW A

VIEW B

FIRST USED		04 S40WD	
DO NOT SCALE DRAWING			
TITLE: DRAINAGE SYSTEM INSTL			
SHEET 2	PART NO	146319	



VIEW C

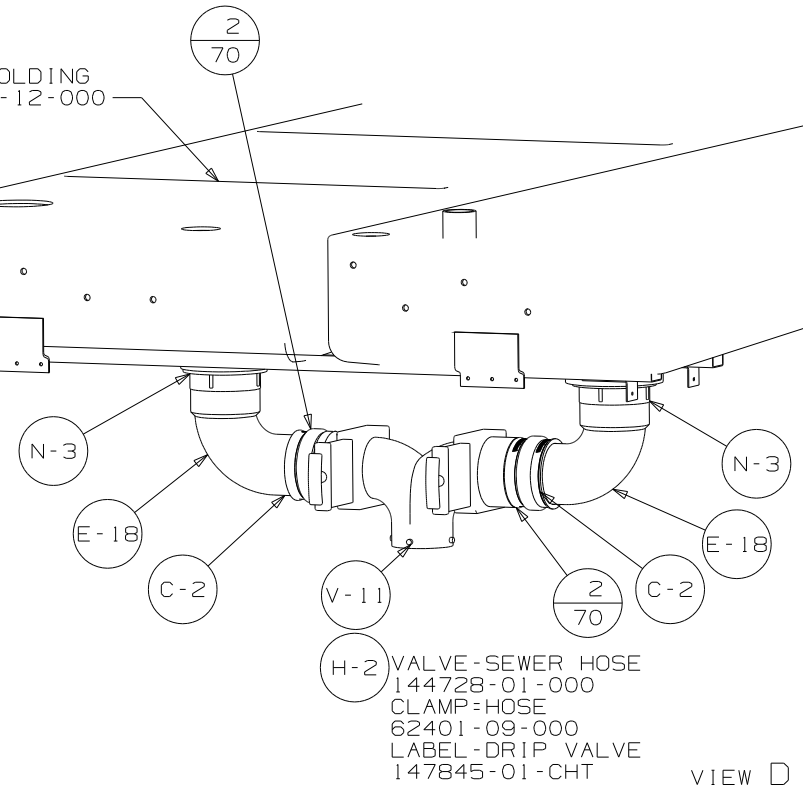
BRACKET-DRAINAGE TANK  
146080-01-CHT (2)  
SCREW  
G39-10-10T (6)

SUPPORT ASM  
133839-03-CHT (2)  
SCREW  
G39-10-20T (2)

ANGLE FORMED  
132871-03-CHT (2)  
SCREW  
G39-10-20T (2)  
G39-10-12T (2)

TANK-HOLDING  
132407-12-000

TANK-HOLDING  
132408-13-000



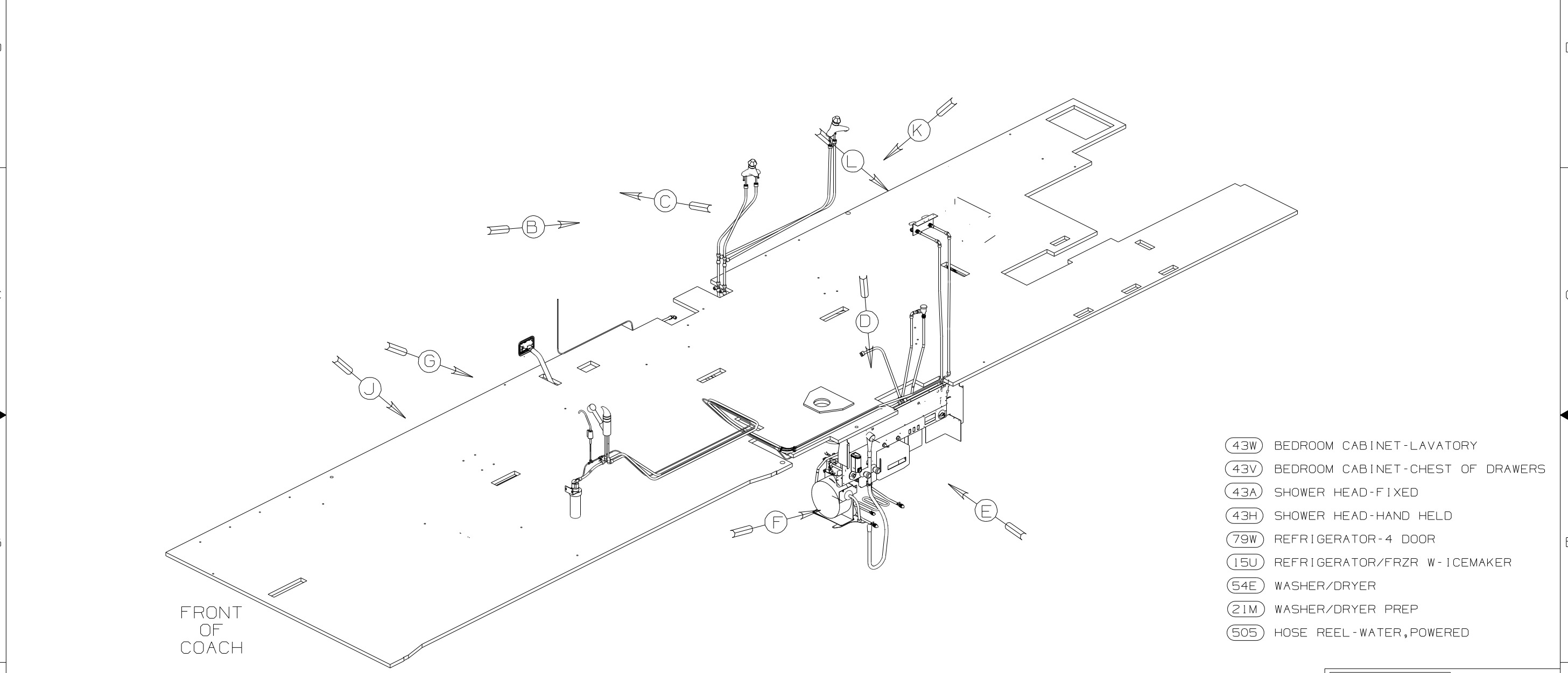
H-2 VALVE-SEWER HOSE  
144728-01-000  
CLAMP-HOSE  
62401-09-000  
LABEL-DRIP VALVE  
147845-01-CHT

VIEW D

FIRST USED	04 S40WD
DO NOT SCALE DRAWING	
TITLE	DRAINAGE SYSTEM INSTL
SHEET 3	PART NO 146319

DWG NO	----
146320-01	(WIN)
146320-02	(ITA)

RELEASE	REV DATE	DWG NO
A		146320
REV ZONE	REVISION RECORD	DATE DFR-ORIG

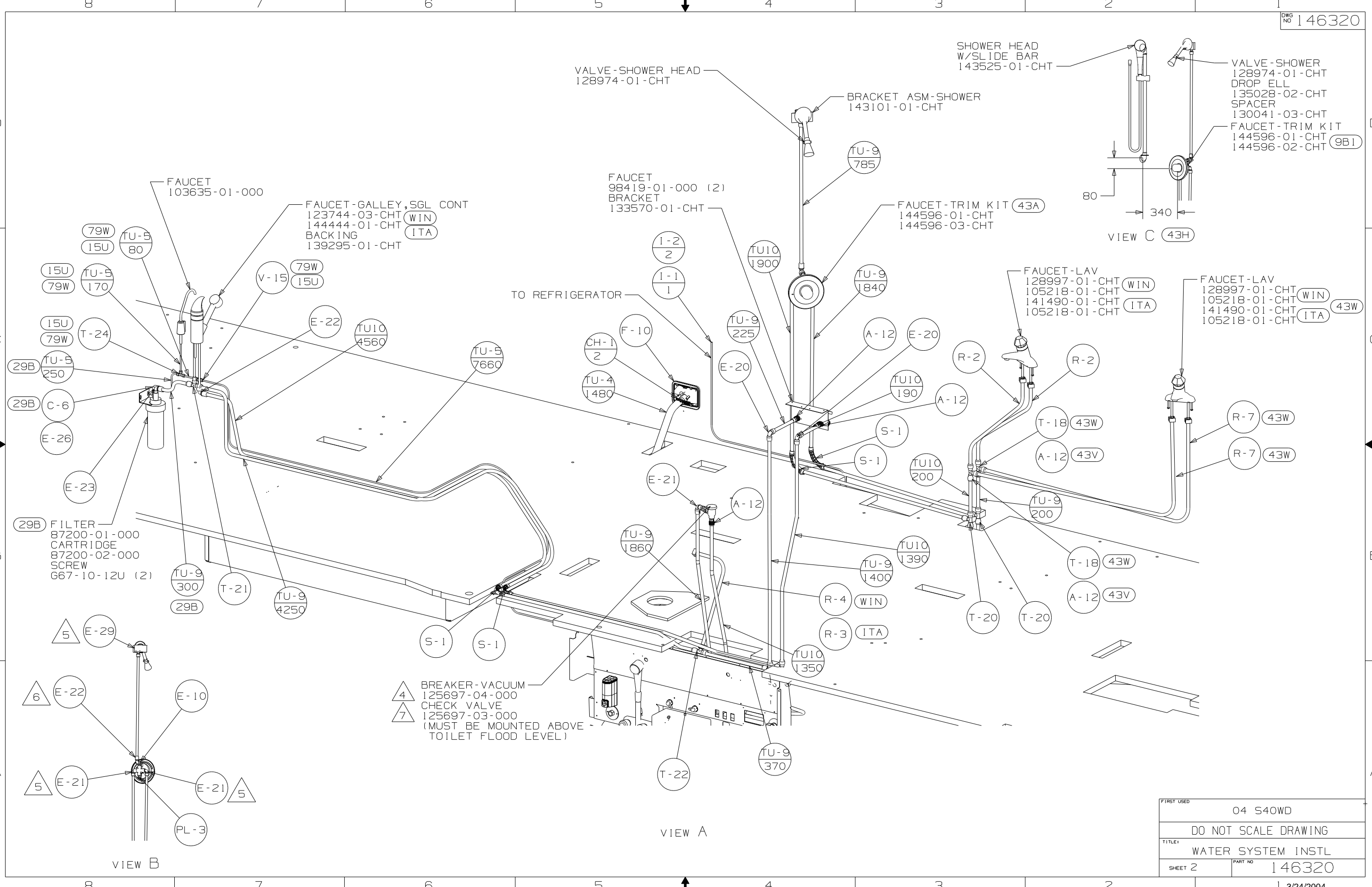


- (43W) BEDROOM CABINET-LAVATORY
- (43V) BEDROOM CABINET-CHEST OF DRAWERS
- (43A) SHOWER HEAD-FIXED
- (43H) SHOWER HEAD-HAND HELD
- (79W) REFRIGERATOR-4 DOOR
- (15U) REFRIGERATOR/FRZR W- ICEMAKER
- (54E) WASHER/DRYER
- (21M) WASHER/DRYER PREP
- (505) HOSE REEL - WATER, POWERED

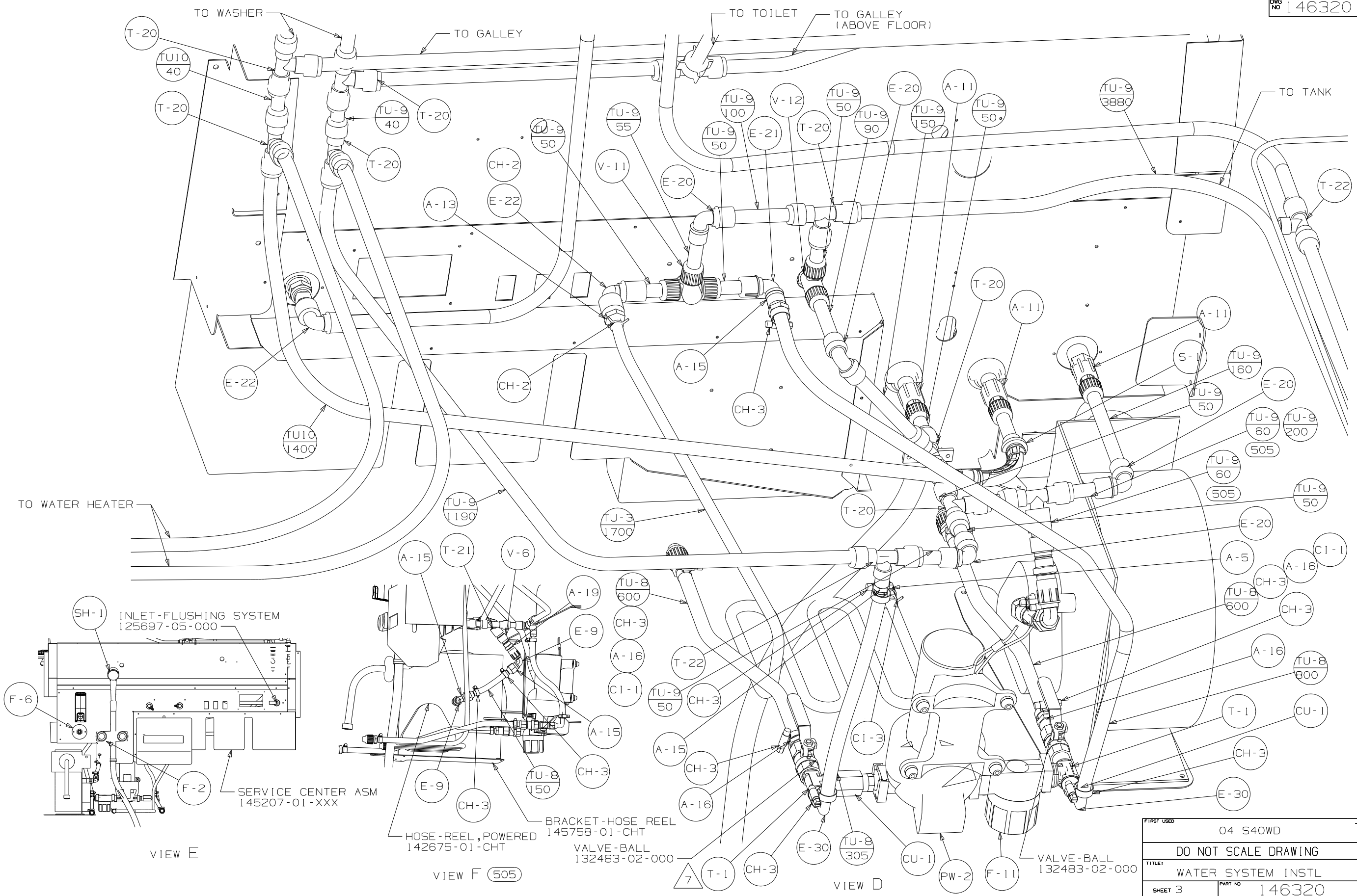
- NOTES:
7. ADD TEFLON TAPE 10405-02-000.
  6. ADD TEFLON TAPE 10405-01-000.
  5. ADD TEFLON TAPE 10405-03-000.
  4. FLUSHING SYSTEM REQUIRES 125697-06-000 INSTRUCTION SHEET.
3. ALL TUBING TO BE SECURED AT 1200 INTERVALS MAXIMUM WITH CLAMP 10495-01-000 OR CLIP 91951-01-000 AND SCREW G67-10-12B.
  2. TUBING TO BE INSTALLED WITH SUFFICIENT SLOPE TO PROVIDE DRAINAGE TO NEAREST VALVE.
  1. PLASTIC FITTINGS TO BE SEALED WITH SEALANT 84456-01-000.

(X-X)  
FOR  
WATER  
CALLOUTS  
SEE DWG NO  
116230-01-000

<b>WINNEBAGO</b>		COPYRIGHT 2004 WINNEBAGO INDUSTRIES, INC.	
DFTR	ORIG. DATE	ALL DIMENSIONS ARE IN MILLIMETERS	
CHKR		FIRST USED	
P.E.		04 S40WD	
M.E.			
DSNR			
UNSPECIFIED TOLERANCES ARE:		MATERIAL:	
WHOLE DIM (X)	: 7		
ONE-PLACE (X.X)	:		
TWO-PLACE (X.XX)	:		
ANGLE	:		
THIRD ANGLE PROJECTION		DO NOT SCALE DRAWING	
TITLE: WATER SYSTEM INSTL			
SHEET 1 OF 4		PART NO 146320	



FIRST USED	04 S40WD
TITLE	DO NOT SCALE DRAWING WATER SYSTEM INSTL
SHEET 2	PART NO 146320



TO WASHER

TO GALLEY

TO TOILET

TO GALLEY (ABOVE FLOOR)

TO TANK

TO WATER HEATER

INLET-FLUSHING SYSTEM 125697-05-000

SERVICE CENTER ASM 145207-01-XXX

VIEW E

HOSE-REEL, POWERED 142675-01-CHT

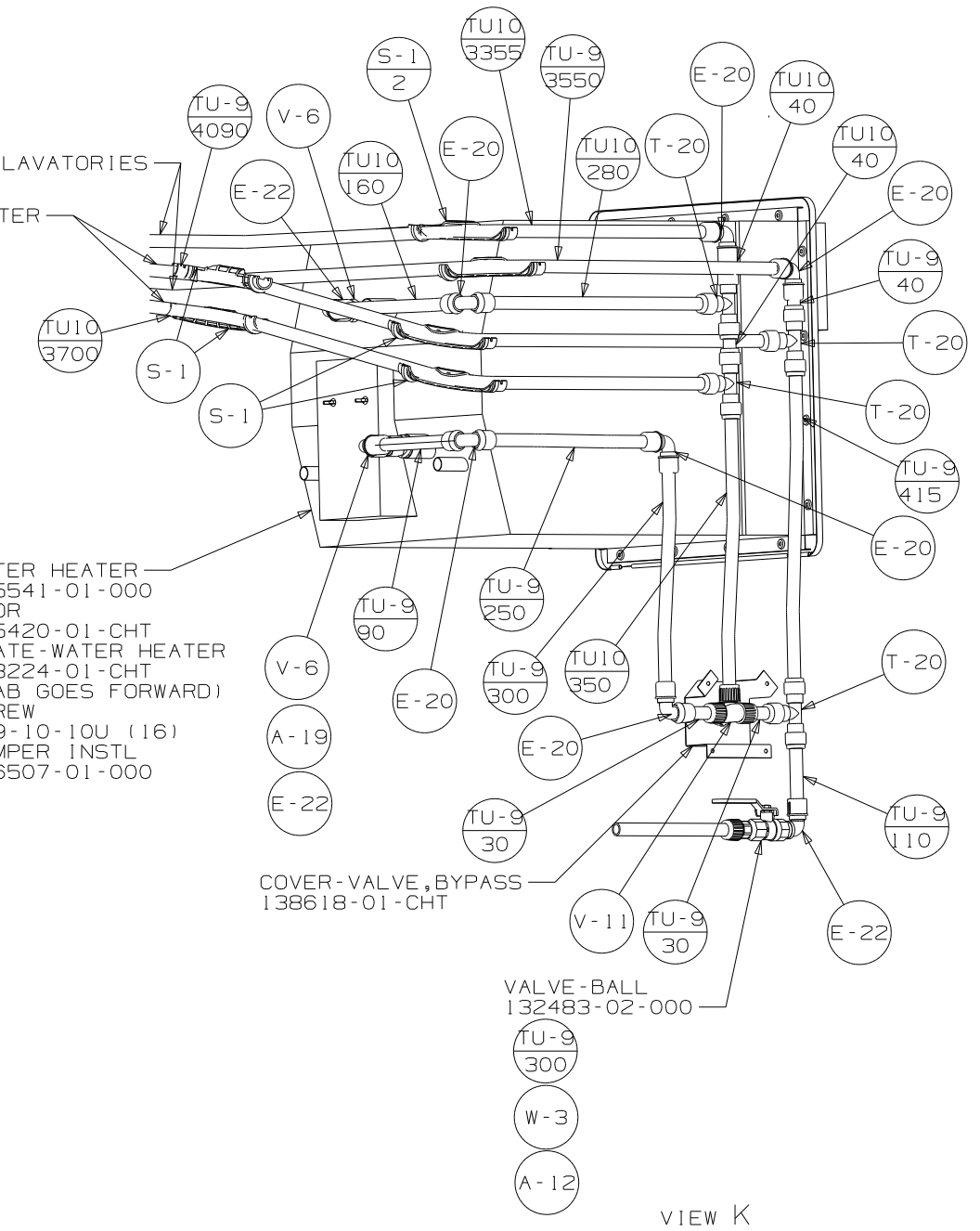
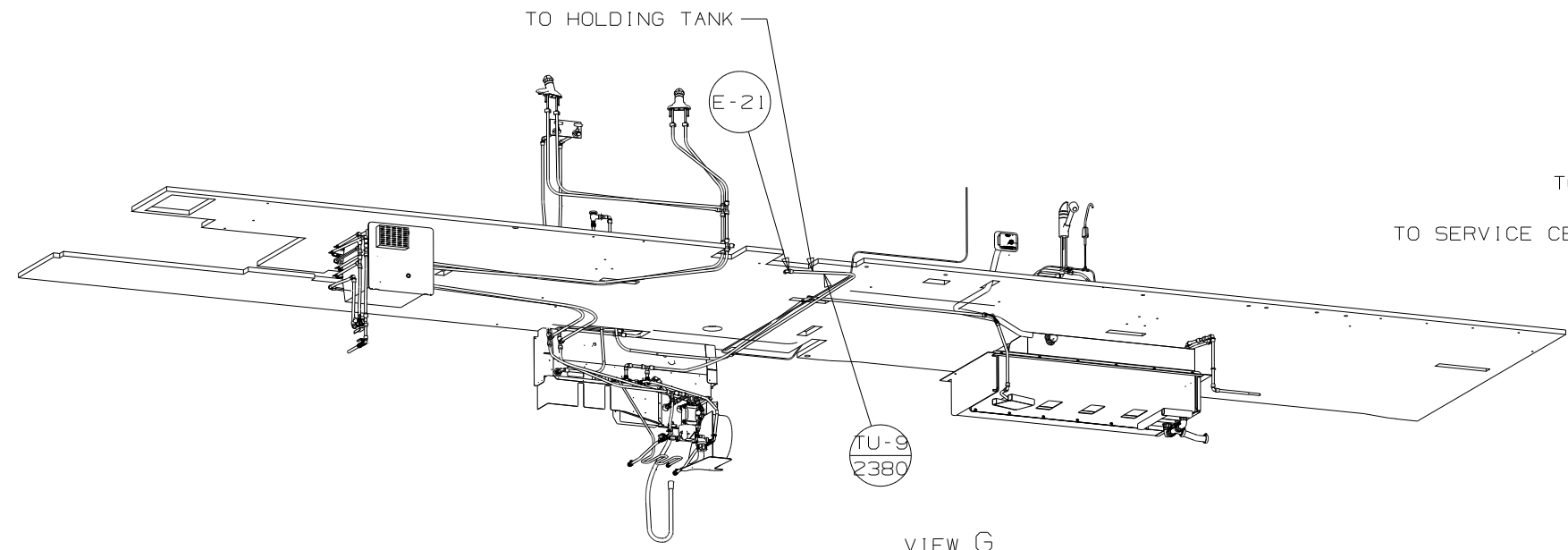
BRACKET-HOSE REEL 145758-01-CHT

VALVE-BALL 132483-02-000

VIEW F (505)

VIEW D

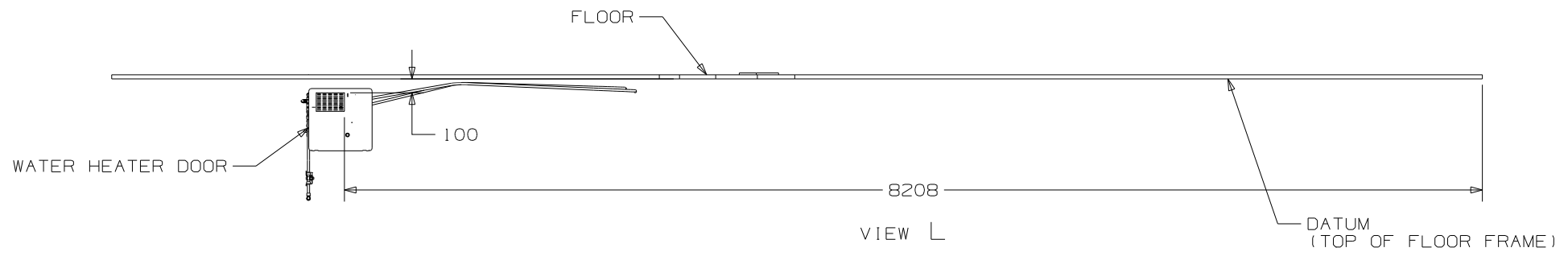
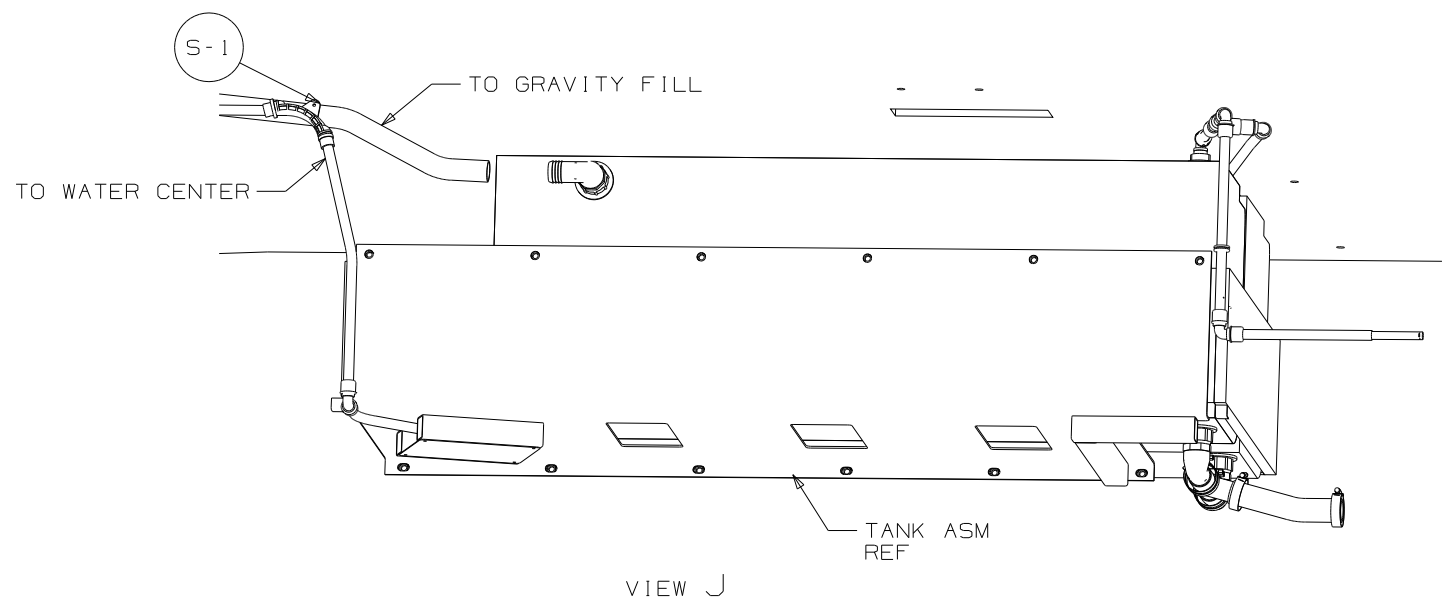
FIRST USED	04 S40WD
DO NOT SCALE DRAWING	
TITLE	WATER SYSTEM INSTL
SHEET 3	PART NO 146320



WATER HEATER  
 145541-01-000  
 DOOR  
 125420-01-CHT  
 PLATE-WATER HEATER  
 133224-01-CHT  
 (TAB GOES FORWARD)  
 SCREW  
 639-10-10U (16)  
 BUMPER INSTL  
 146507-01-000

COVER-VALVE, BYPASS  
 138618-01-CHT

VALVE-BALL  
 132483-02-000



FIRST USED	04 S40WD
TITLE	DO NOT SCALE DRAWING
SHEET 4	PART NO 146320
1 3/24/2004	