



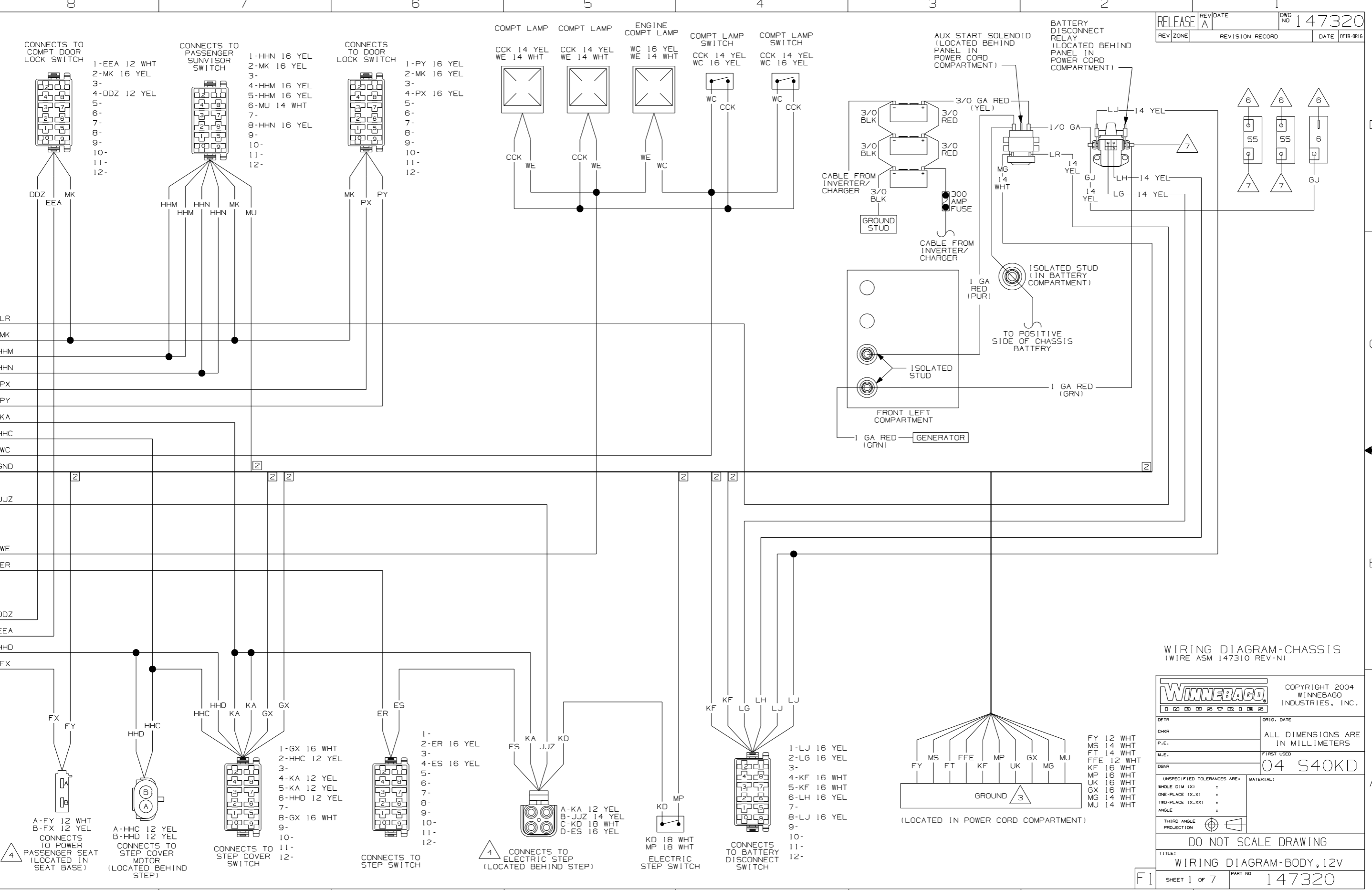
DANGER

Danger of electrical shock, burns or death. Always remove all power sources before attempting any repair, service or diagnostic work. Power can be present from shore power, generator, inverter or battery. All power sources must be disabled and secured before performing any service.



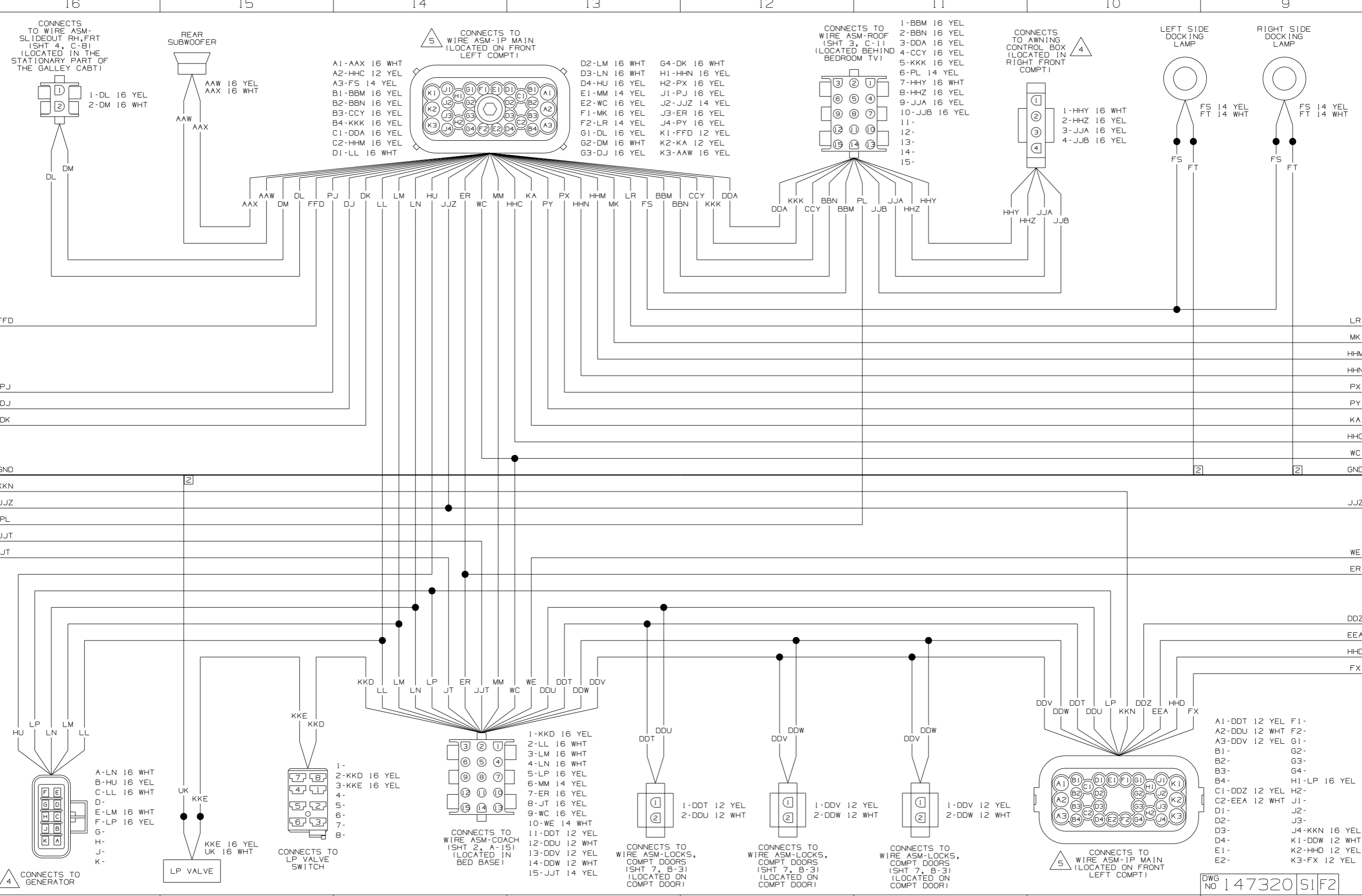
CAUTION

If you lack the skills, tools or equipment to perform diagnostic or repair work leave such work to an authorized Winnebago Industries dealer or other qualified shop.



WIRING DIAGRAM-CHASSIS
 (WIRE ASM 147310 REV-N)

| | | | |
|------------------------------------|------------|---|--|
| WINNEBAGO | | COPYRIGHT 2004 WINNEBAGO INDUSTRIES, INC. | |
| DFTR | ORIG. DATE | ALL DIMENSIONS ARE IN MILLIMETERS | |
| CHNR | | FIRST USED | |
| P.E. | | 04 S40KD | |
| M.E. | | UNSPECIFIED TOLERANCES ARE: | |
| DSNR | | MATERIAL: | |
| WHOLE DIM (XX) : | | ONE-PLACE (X.X) : | |
| TWO-PLACE (X.XX) : | | ANGLE : | |
| THIRD ANGLE PROJECTION | | DO NOT SCALE DRAWING | |
| TITLE: WIRING DIAGRAM-BODY, 12V | | | |
| SHEET 1 of 7 | | PART NO 147320 | |



CONNECTS TO WIRE ASM-SLIDEOUT RH,FRT (SHT 4, C-8) (LOCATED IN THE STATIONARY PART OF THE GALLEY CABT)

REAR SUBWOOFER
AAW 16 YEL
AAX 16 WHT

5 CONNECTS TO WIRE ASM-IP MAIN (LOCATED ON FRONT LEFT COMPT)

CONNECTS TO WIRE ASM-ROOF (SHT 3, C-1) (LOCATED BEHIND BEDROOM TV)

4 CONNECTS TO AWNING CONTROL BOX (LOCATED IN RIGHT FRONT COMPT)

LEFT SIDE DOCKING LAMP

RIGHT SIDE DOCKING LAMP

- A1-AA 16 WHT
- A2-HHC 12 YEL
- A3-FS 14 YEL
- B1-BBM 16 YEL
- B2-BBN 16 YEL
- B3-CCY 16 YEL
- B4-KKK 16 YEL
- C1-DDA 16 YEL
- C2-HHM 16 YEL
- D1-LL 16 WHT

- D2-LM 16 WHT
- D3-LN 16 WHT
- D4-HU 16 YEL
- E1-MM 14 YEL
- E2-WC 16 YEL
- F1-MK 16 YEL
- F2-LR 14 YEL
- G1-DL 16 YEL
- G2-DM 16 WHT
- G3-DJ 16 YEL
- G4-DK 16 WHT
- H1-HHN 16 YEL
- H2-PX 16 YEL
- J1-PJ 16 YEL
- J2-JJZ 14 YEL
- J3-ER 16 YEL
- J4-PY 16 YEL
- K1-FFD 12 YEL
- K2-KA 12 YEL
- K3-AAW 16 YEL

- 1-BBM 16 YEL
- 2-BBN 16 YEL
- 3-DDA 16 YEL
- 4-CCY 16 YEL
- 5-KKK 16 YEL
- 6-PL 14 YEL
- 7-HHY 16 WHT
- 8-HHZ 16 YEL
- 9-JJA 16 YEL
- 10-JJB 16 YEL
- 11-
- 12-
- 13-
- 14-
- 15-

- 1-HHY 16 WHT
- 2-HHZ 16 YEL
- 3-JJA 16 YEL
- 4-JJB 16 YEL

FS 14 YEL
FT 14 WHT

FS 14 YEL
FT 14 WHT

FFD

PJ

DJ

DK

GND

KKN

JJZ

PL

JJT

JT

LR

MK

HHM

HHN

PX

PY

KA

HHC

WC

GND

JJZ

WE

ER

DDZ

EEA

HHD

FX

4 CONNECTS TO GENERATOR

LP VALVE
KKE 16 YEL
UK 16 WHT

CONNECTS TO LP VALVE SWITCH

CONNECTS TO WIRE ASM-COACH (SHT 2, A-15) (LOCATED IN BED BASE)

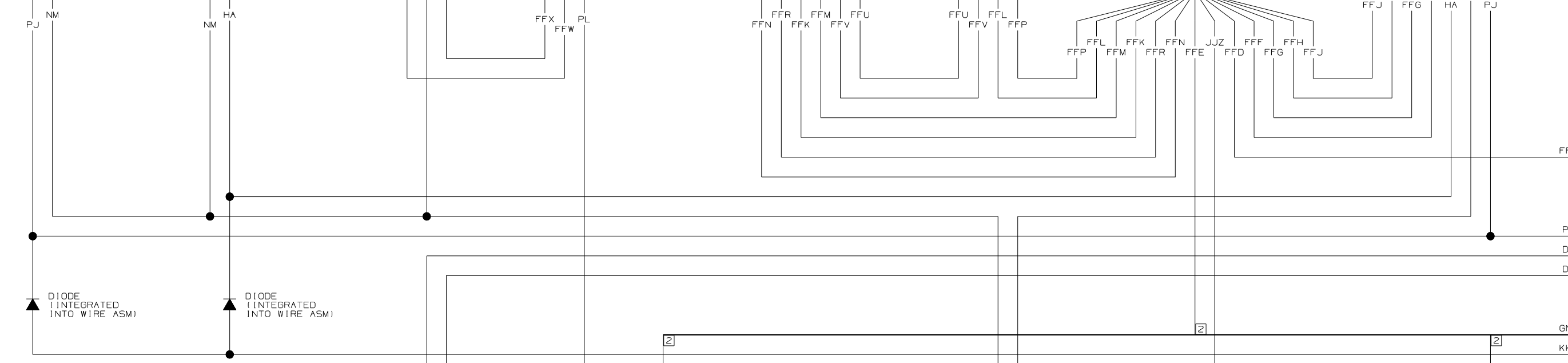
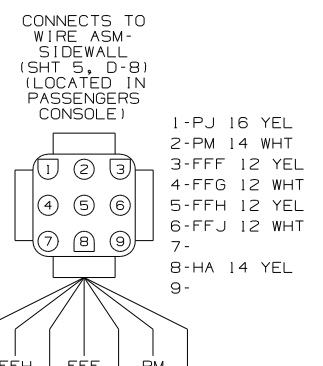
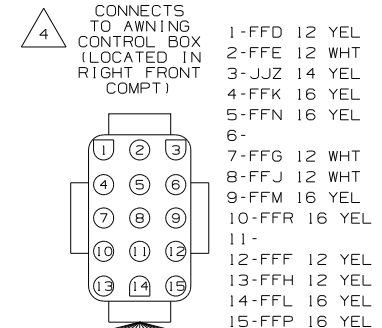
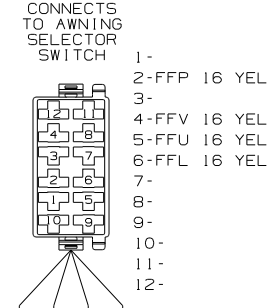
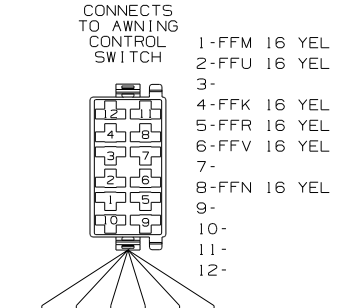
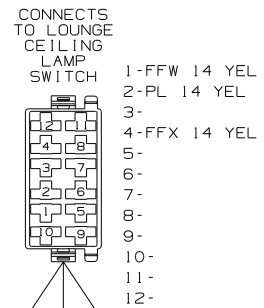
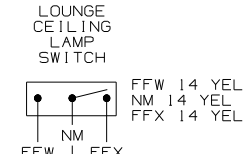
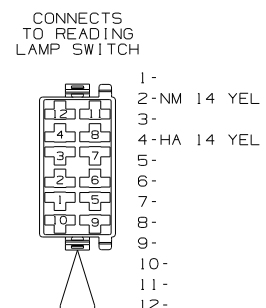
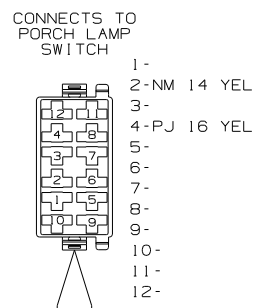
CONNECTS TO WIRE ASM-LOCKS, COMPT DOORS (SHT 7, B-3) (LOCATED ON COMPT DOOR)

CONNECTS TO WIRE ASM-LOCKS, COMPT DOORS (SHT 7, B-3) (LOCATED ON COMPT DOOR)

CONNECTS TO WIRE ASM-LOCKS, COMPT DOORS (SHT 7, B-3) (LOCATED ON COMPT DOOR)

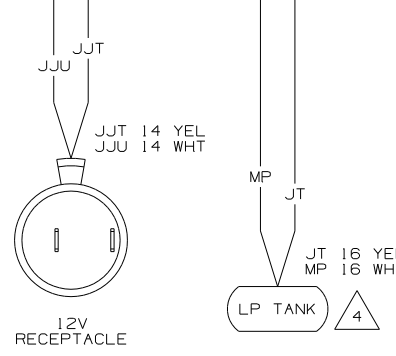
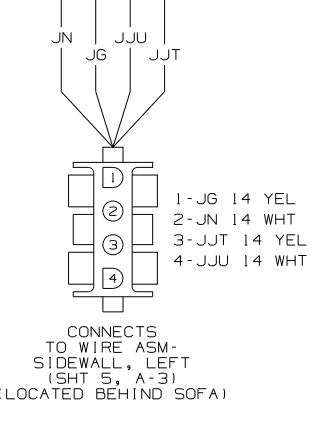
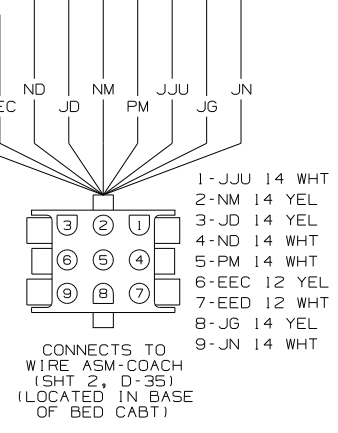
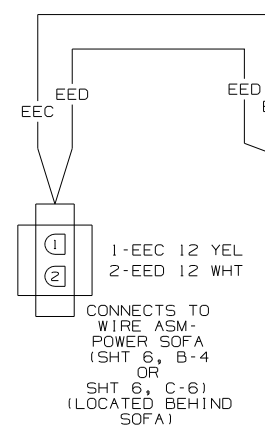
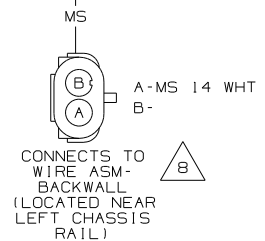
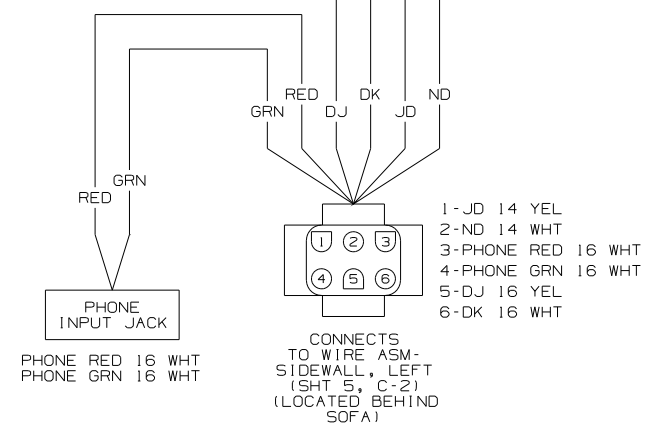
5 CONNECTS TO WIRE ASM-IP MAIN (LOCATED ON FRONT LEFT COMPT)

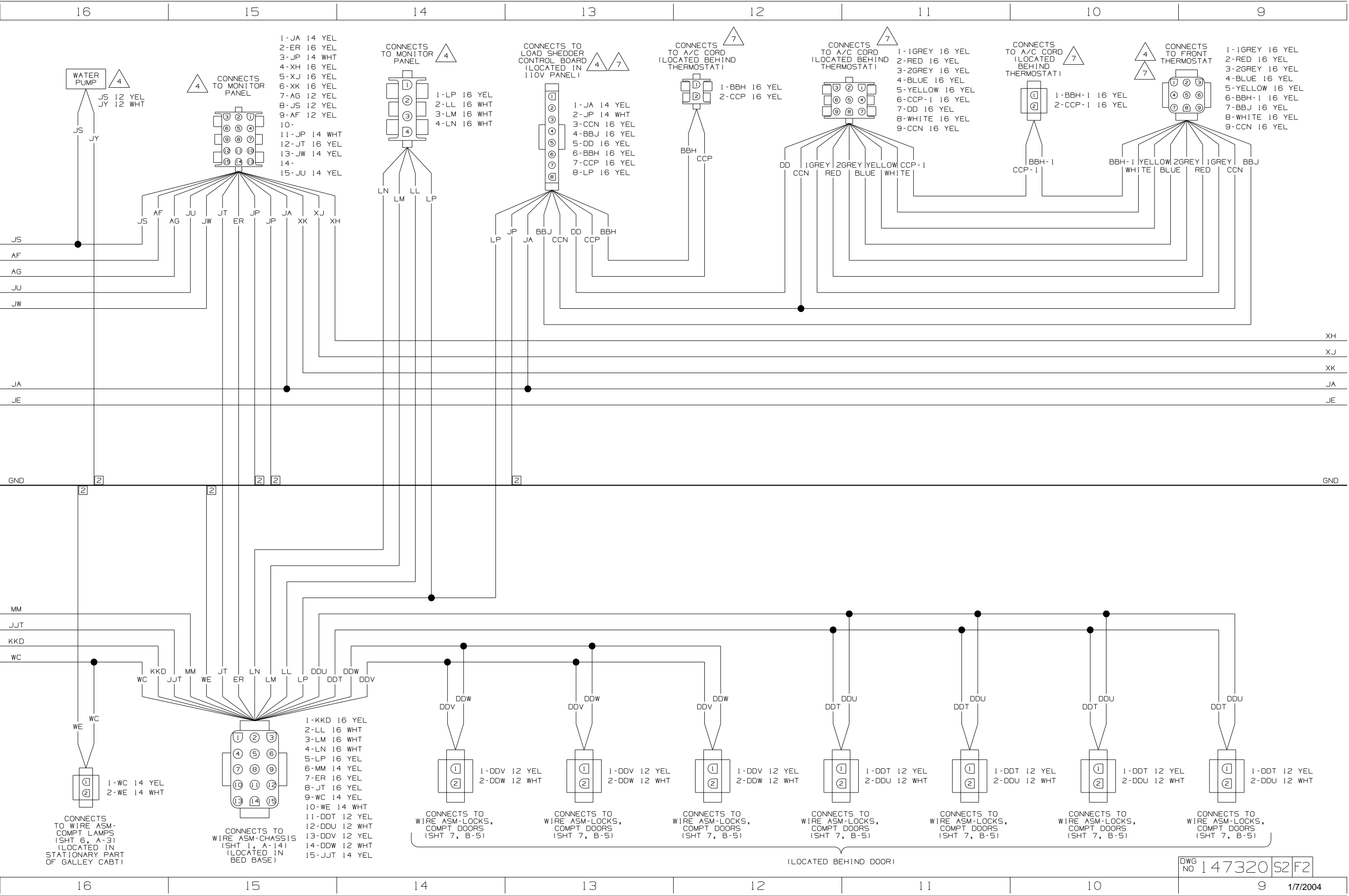
- A1-DDT 12 YEL
- A2-DDU 12 WHT
- A3-DDV 12 YEL
- B1-
- B2-
- B3-
- B4-
- C1-DDZ 12 YEL
- C2-EEA 12 WHT
- D1-
- D2-
- D3-
- D4-
- E1-
- E2-
- F1-
- F2-
- G1-
- G2-
- G3-
- G4-
- H1-LP 16 YEL
- J1-
- J2-
- J3-
- J4-KKN 16 YEL
- K1-DDW 12 WHT
- K2-HHD 12 YEL
- K3-FX 12 YEL

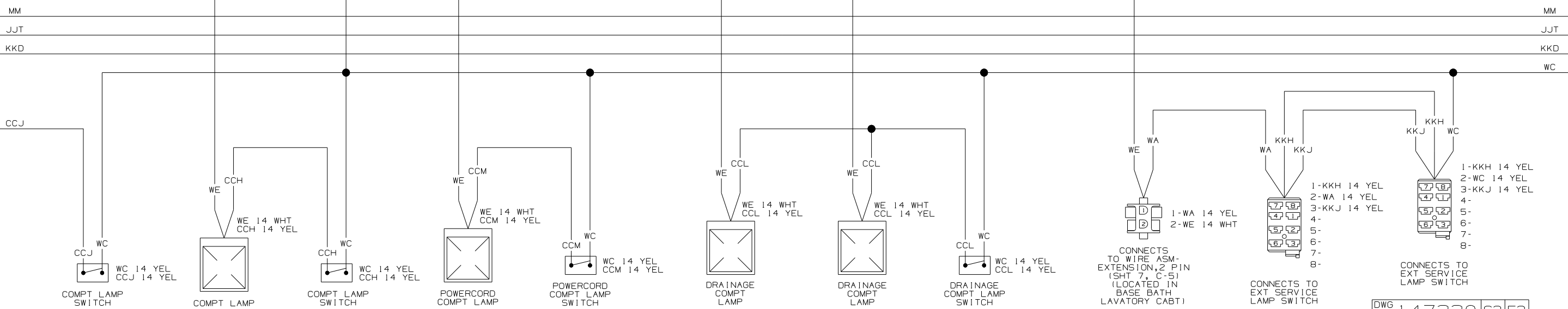
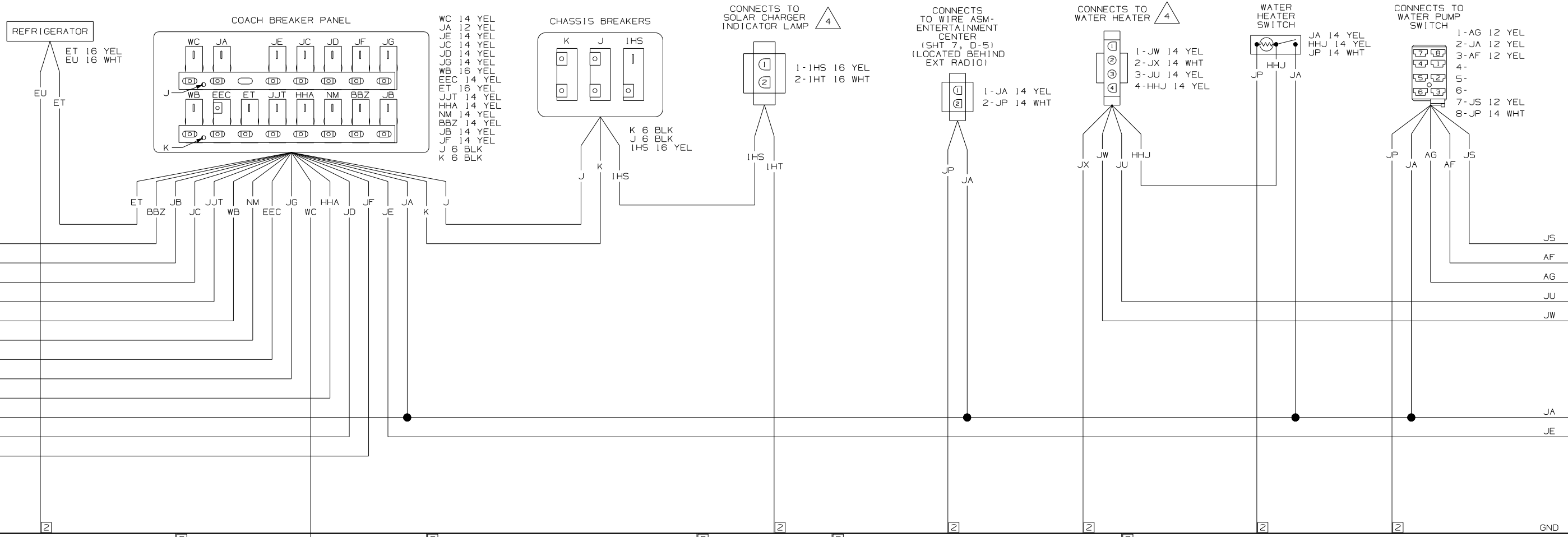


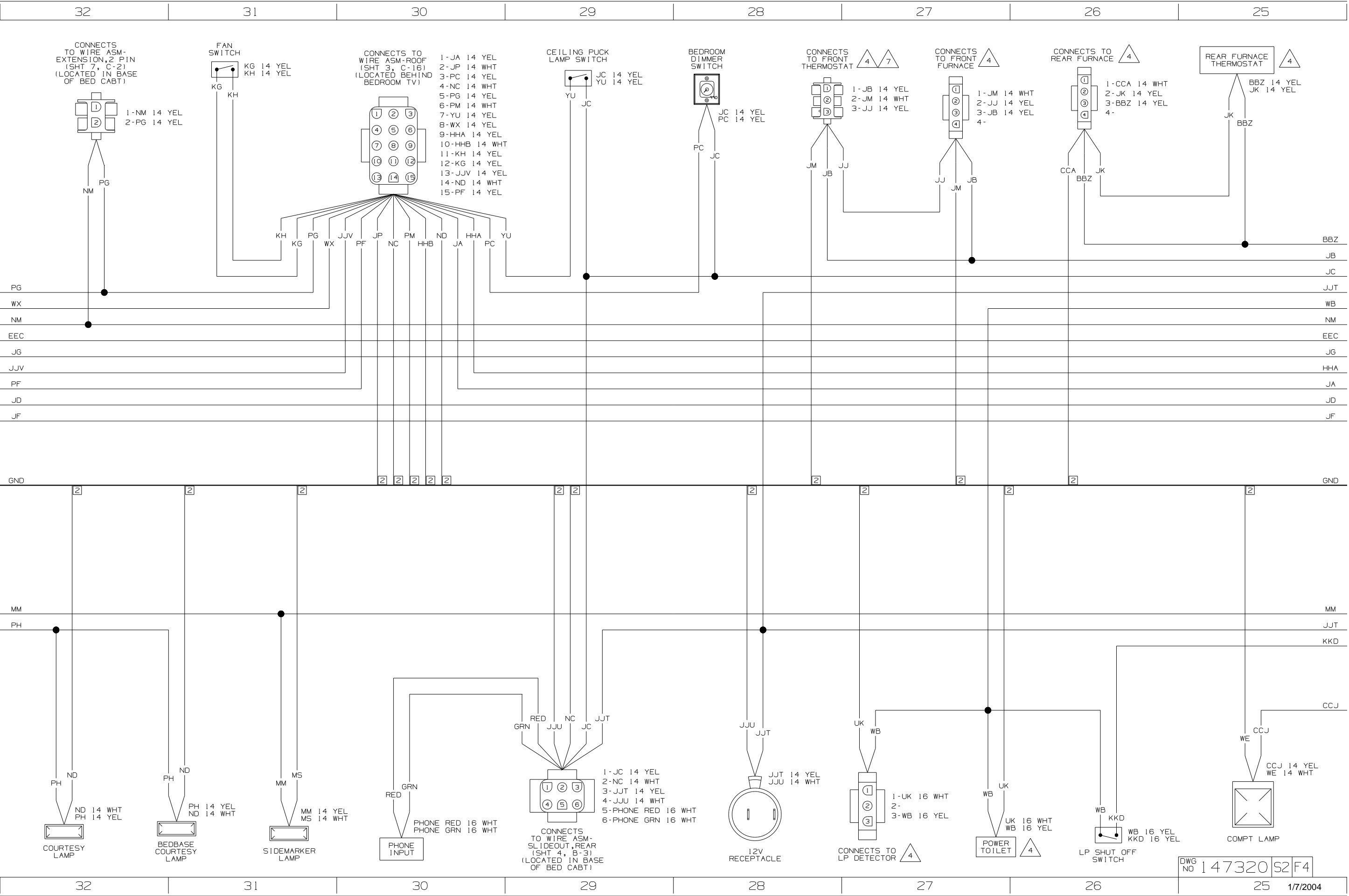
- 8 SEE WIRING DIAGRAM-AUTO,LAMPS FOR ADDITIONAL INFORMATION.
- 7 SEE SHT 7 FOR ADDITIONAL INFORMATION.
- 6 SEE WIRING DIAGRAM-COACH (SHT 2) FOR ADDITIONAL INFORMATION.
- 5 SEE WIRING DIAGRAM-AUTO FOR ADDITIONAL INFORMATION.
- 4 SEE MANUFACTURERS DIAGRAM FOR ADDITIONAL INFORMATION.
- 3 GROUNDS ARE SHOWN AS A SINGLE LINE FOR EASE IN TRACING. EACH GROUND CIRCUIT IS SEPERATE IN THE HARNESS.
- 2 NOT A SPLICE POINT. INDICATES ENTRY INTO WIRING HARNESS.

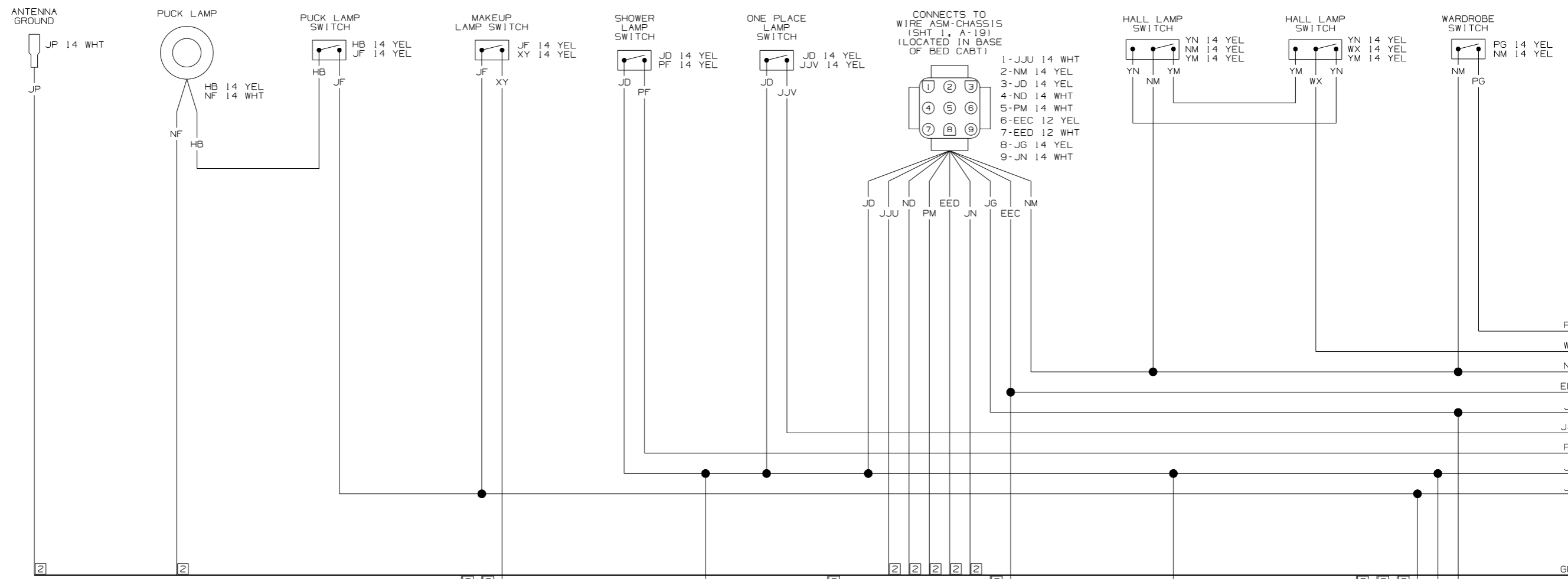
NOTES:
1. SPLICES ARE THEORETICAL AND MAY DIFFER IN THE HARNESS.



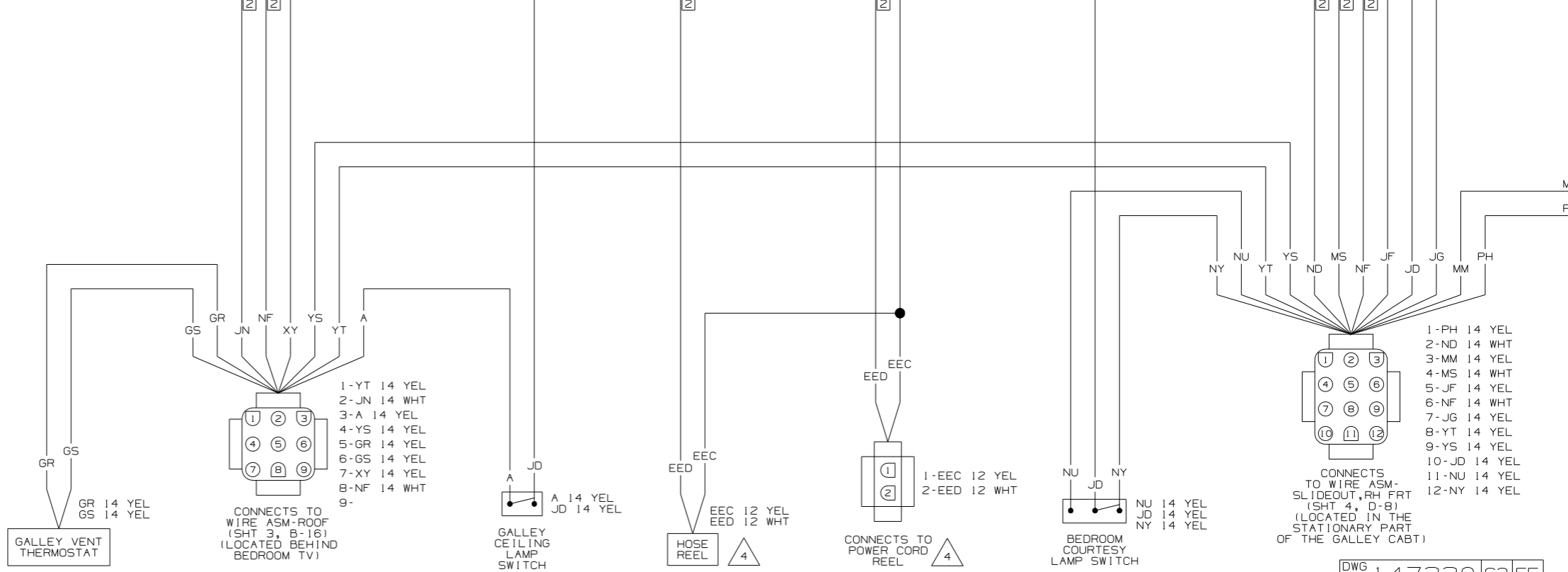


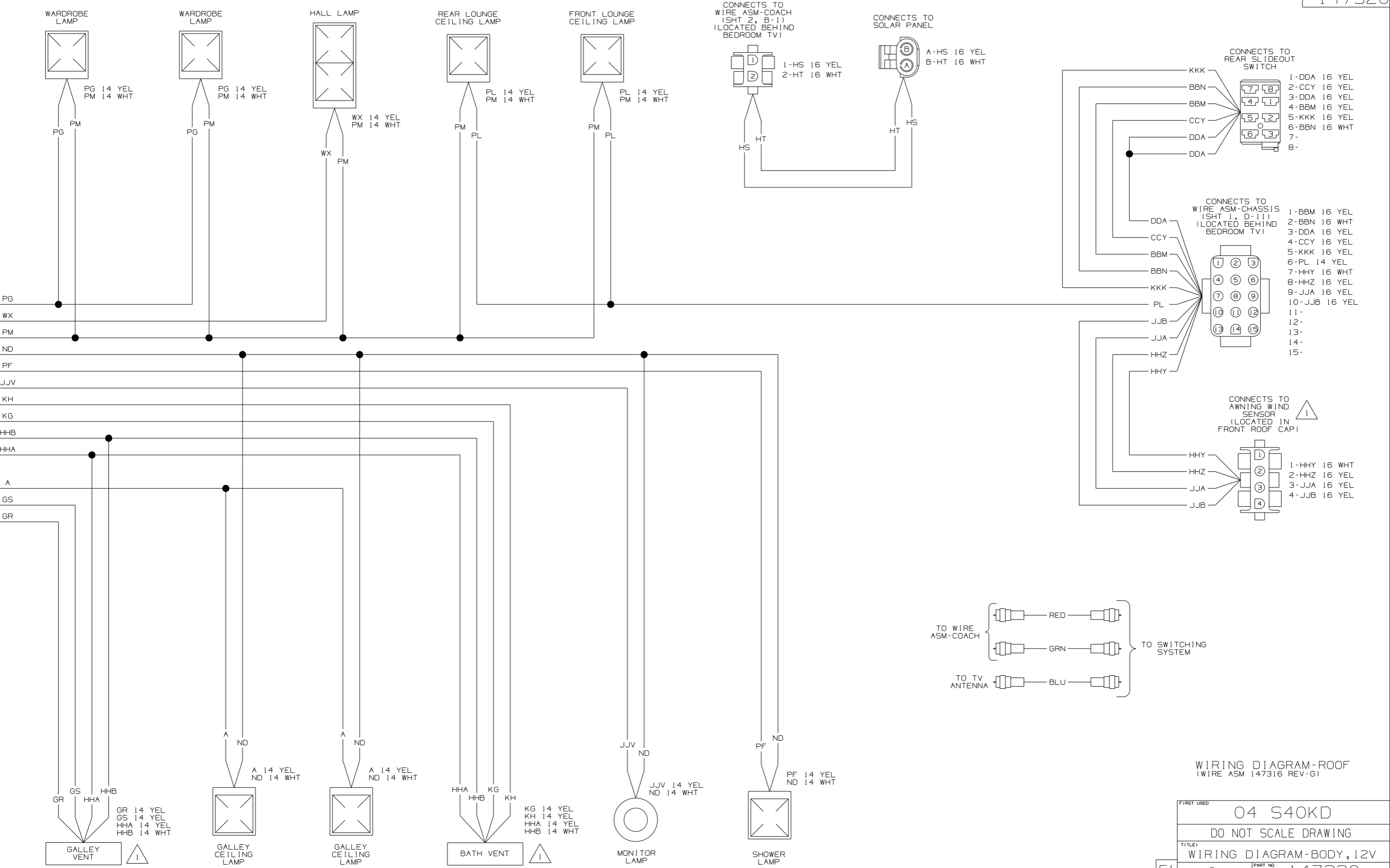






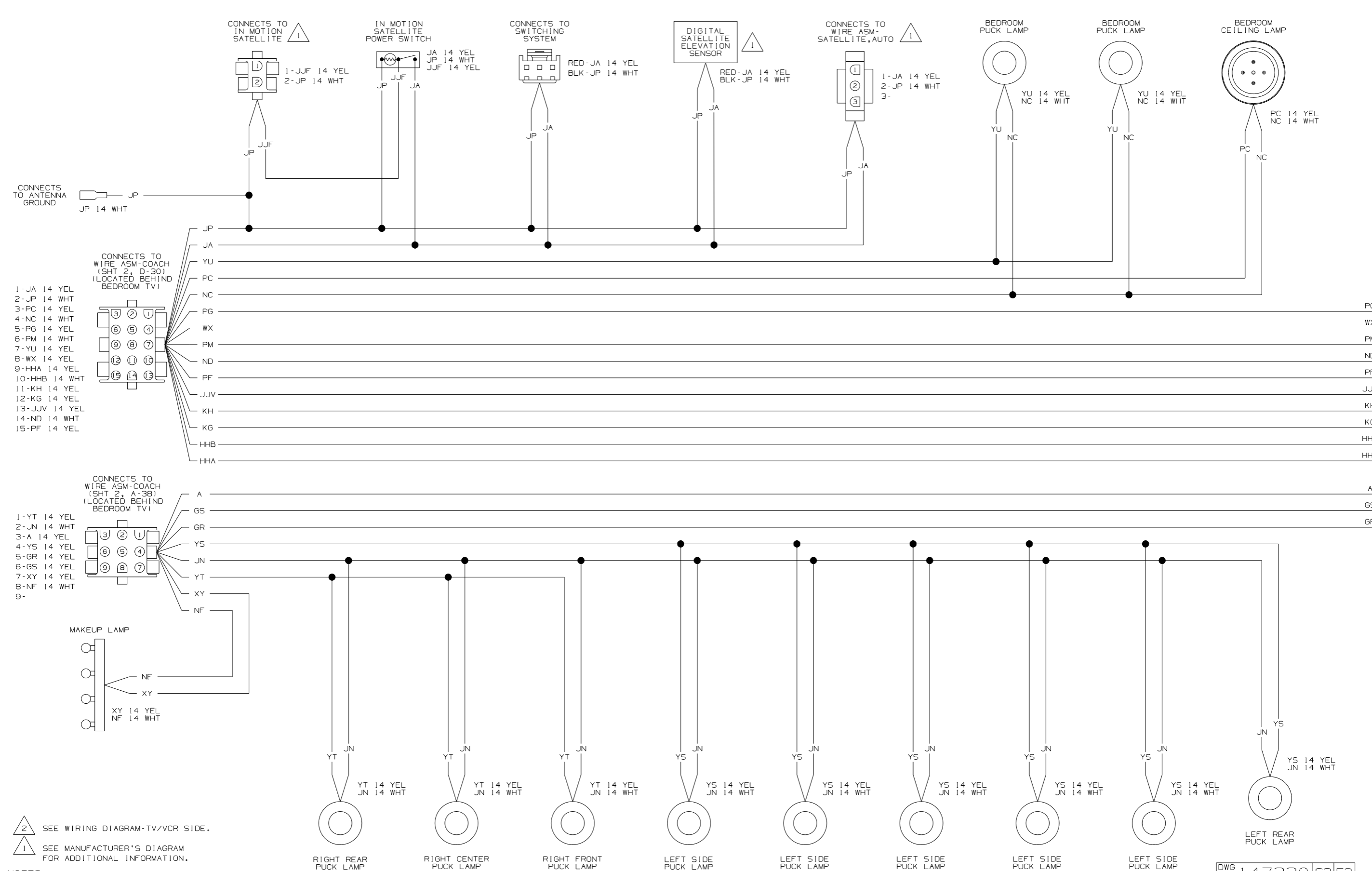
- 7 SEE WIRING DIAGRAM-AC/HEAT/EMS FOR ADDITIONAL INFORMATION.
 - 6 SEE WIRING DIAGRAM-HOLDING TANKS FOR ADDITIONAL INFORMATION.
 - 5 SEE WIRING DIAGRAM-AUTO FOR ADDITIONAL INFORMATION.
 - 4 SEE MANUFACTURERS DIAGRAM FOR ADDITIONAL INFORMATION.
 - 3 GROUNDS ARE SHOWN AS A SINGLE LINE FOR EASE IN TRACING. EACH GROUND CIRCUIT IS SEPERATE IN THE HARNESS.
 - 2 NOT A SPLICE POINT. INDICATES ENTRY INTO WIRING HARNESS.
1. SPLICES ARE THEORETICAL AND MAY DIFFER IN THE HARNESS.



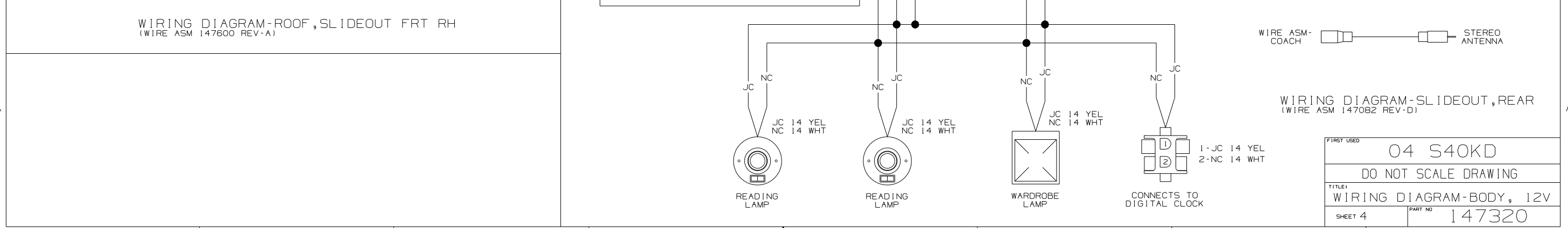
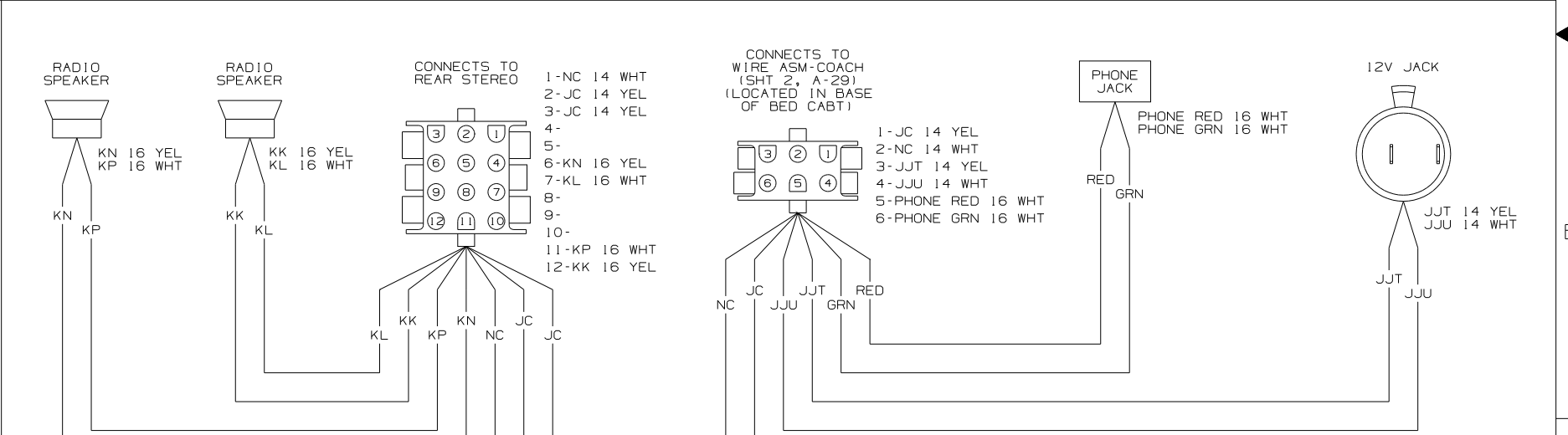
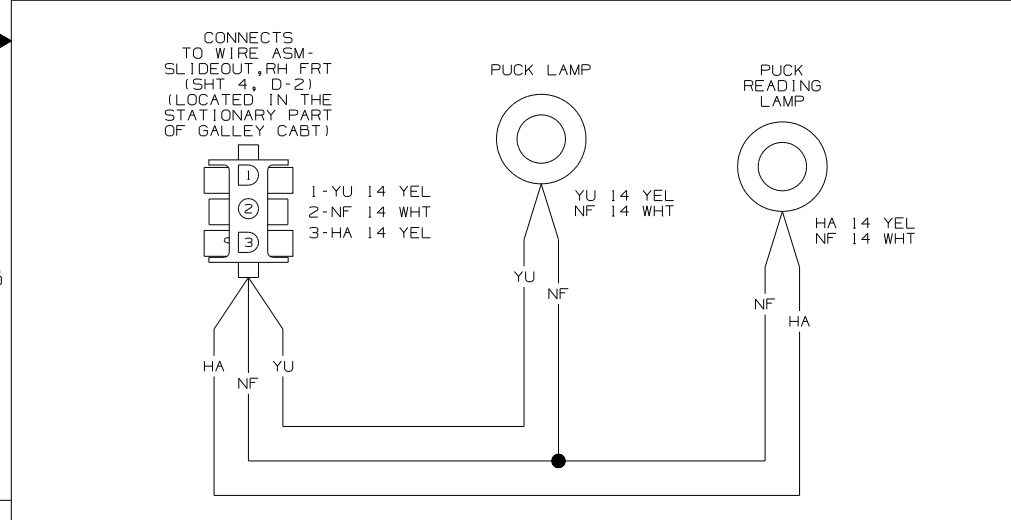
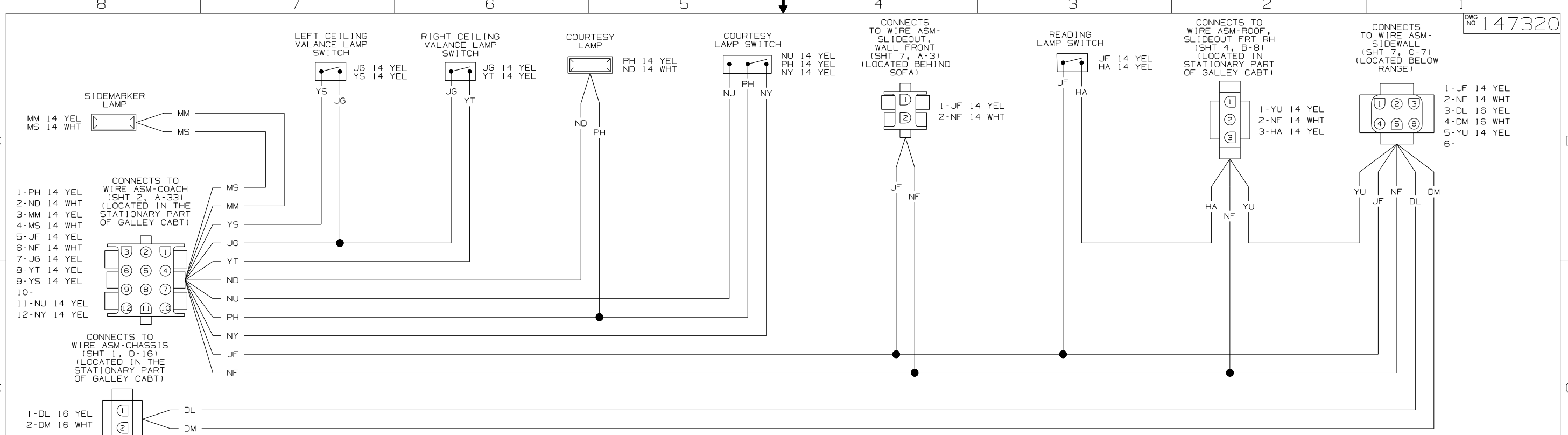


WIRING DIAGRAM-ROOF (WIRE ASM 147316 REV-G)

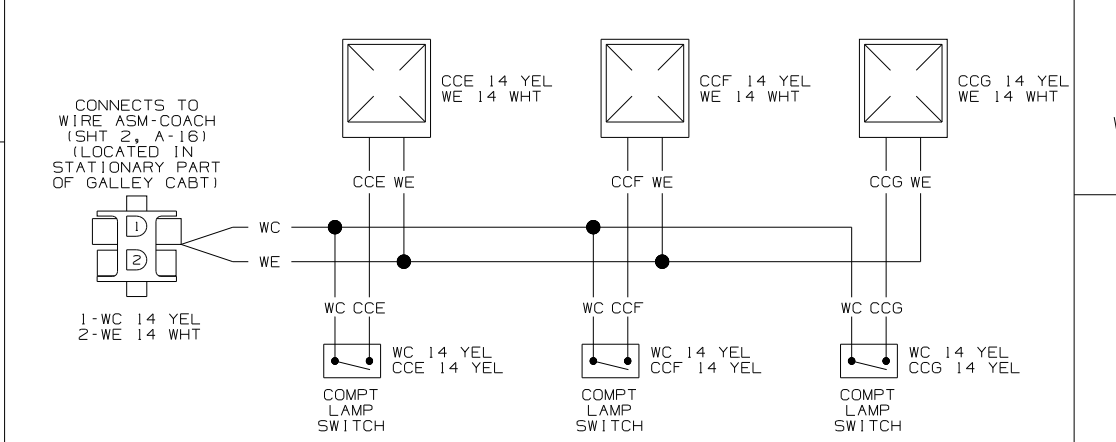
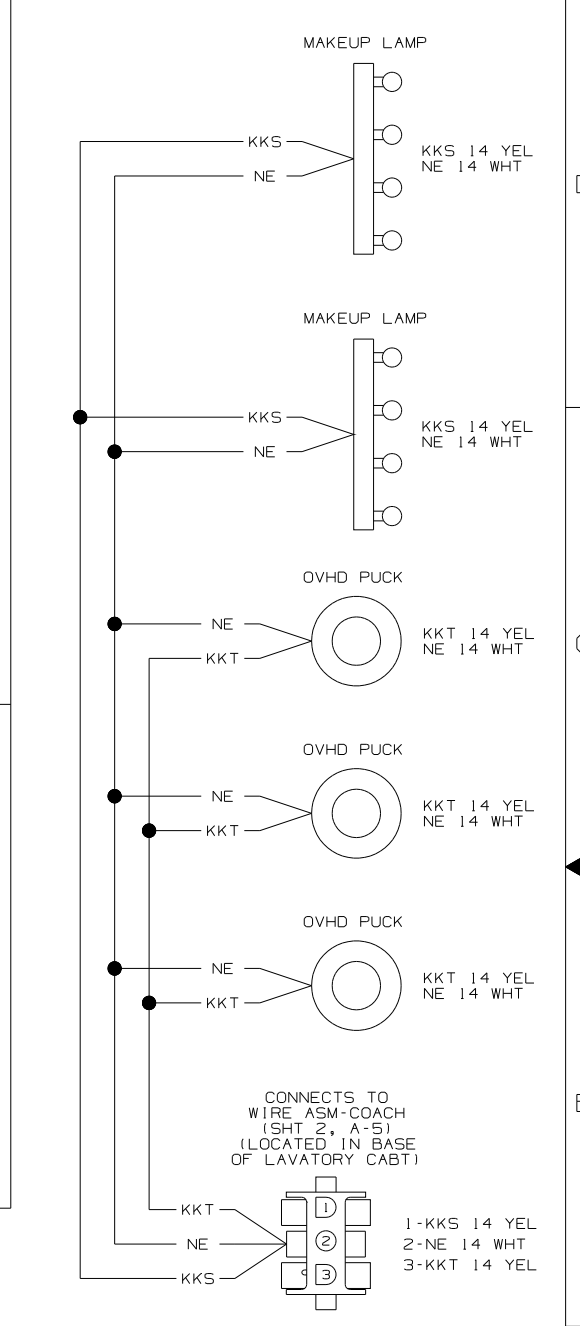
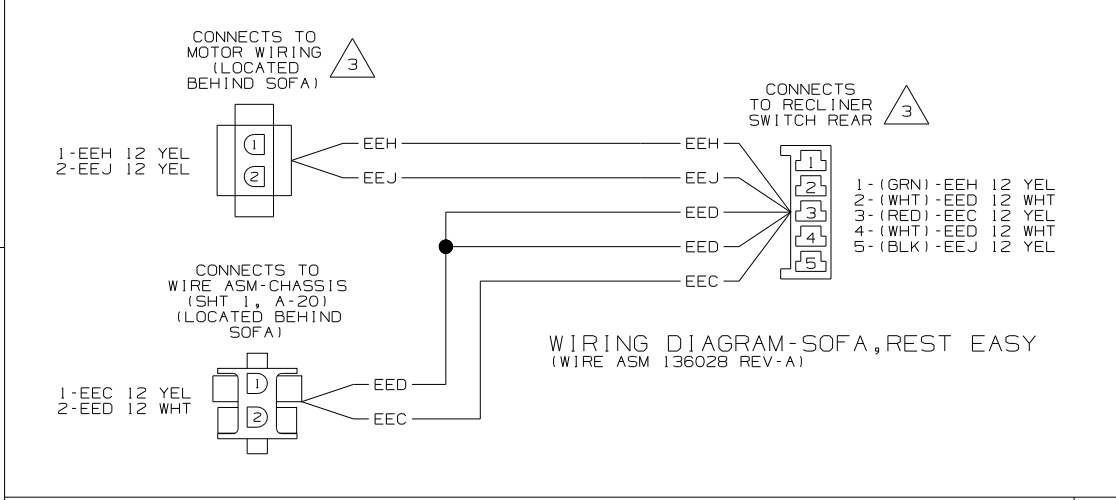
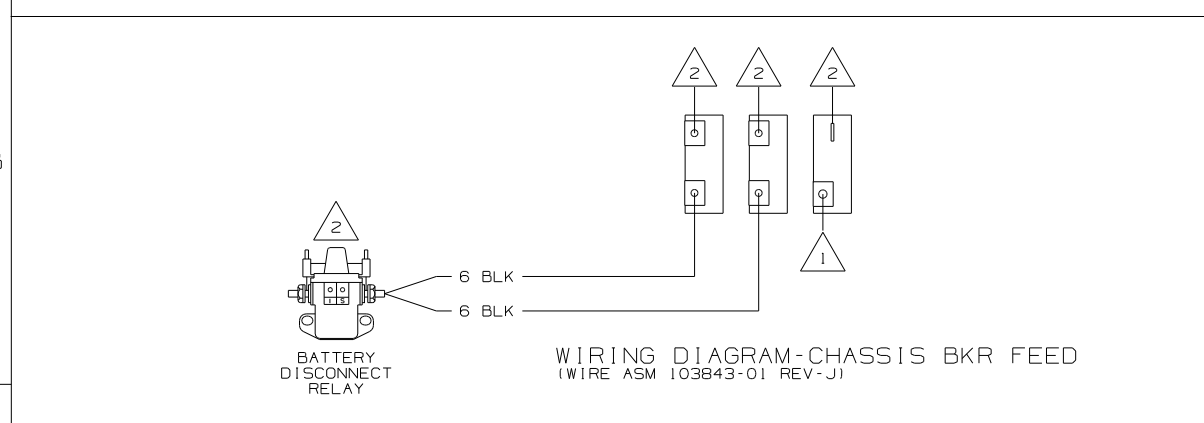
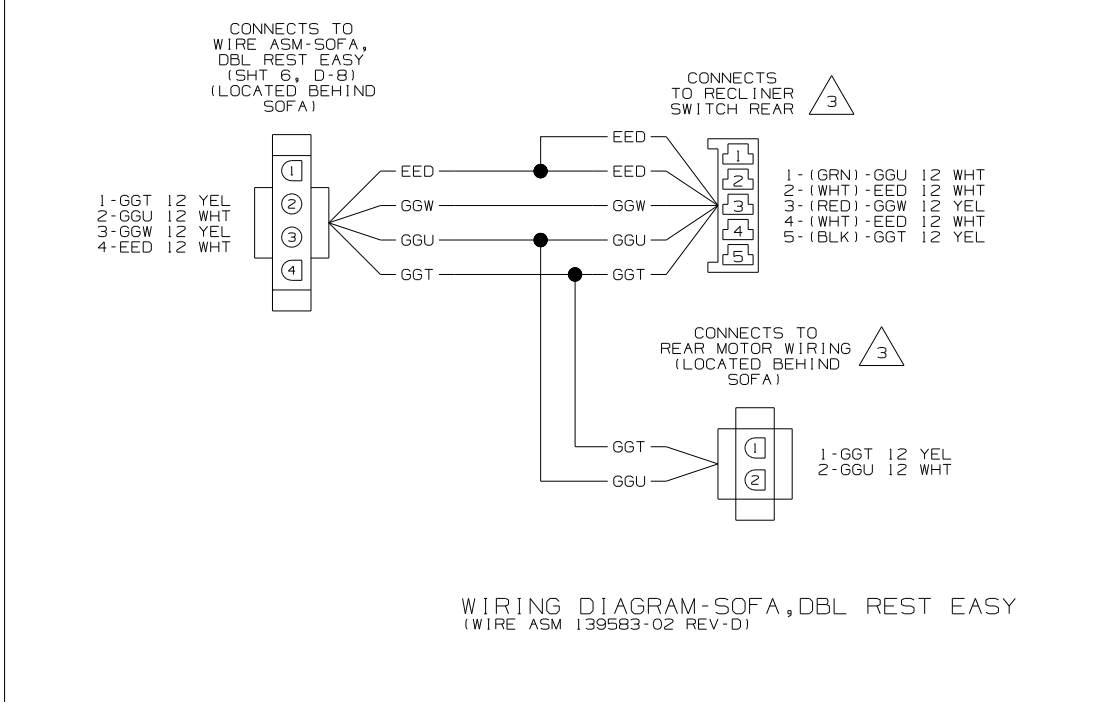
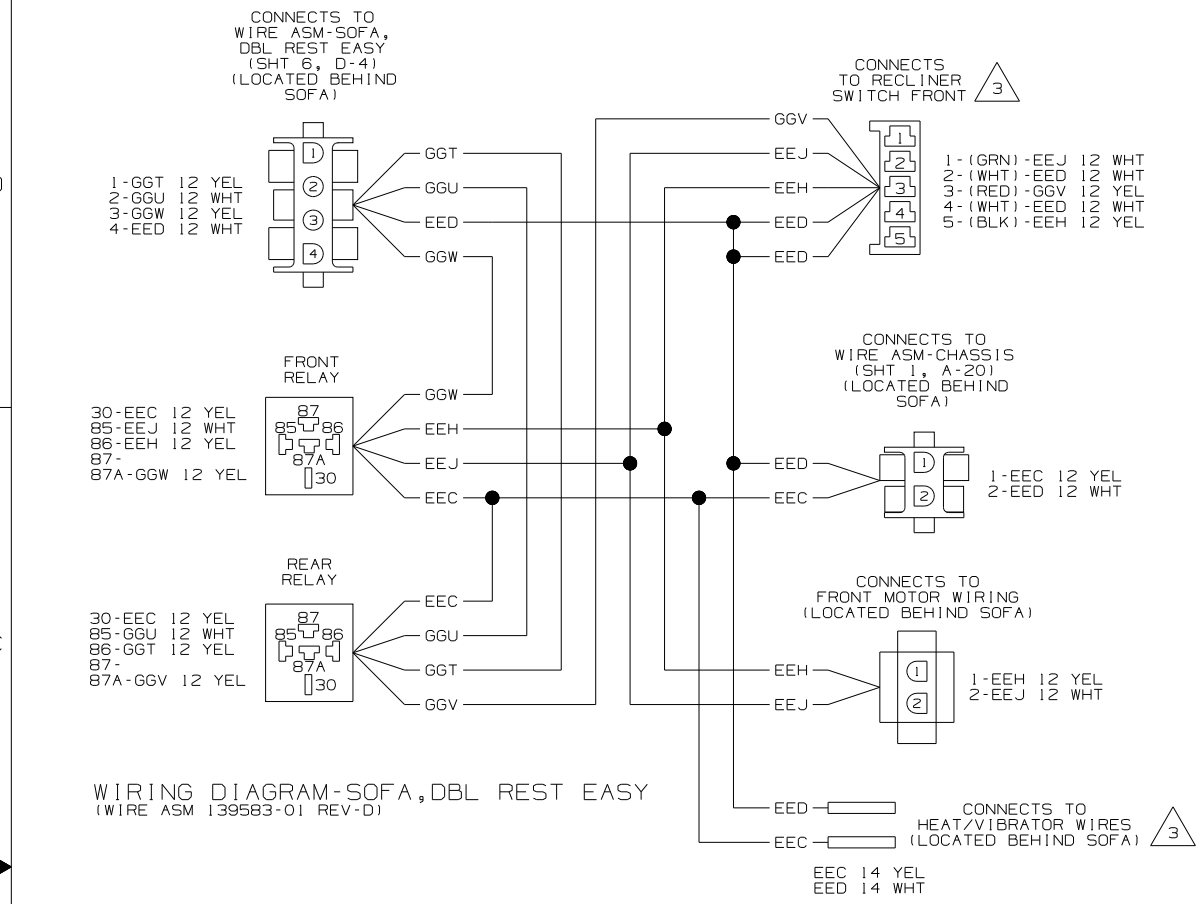
| | | |
|------------|--------------------------|--------|
| FIRST USED | 04 S40KD | |
| TITLE | DO NOT SCALE DRAWING | |
| TITLE | WIRING DIAGRAM-BODY, 12V | |
| SHEET 3 | PART NO | 147320 |



NOTES:
 (2) SEE WIRING DIAGRAM-TV/VCR SIDE.
 (1) SEE MANUFACTURER'S DIAGRAM FOR ADDITIONAL INFORMATION.



| | |
|------------|--------------------------|
| FIRST USED | 04 S40KD |
| TITLE | DO NOT SCALE DRAWING |
| TITLE | WIRING DIAGRAM-BODY, 12V |
| SHEET 4 | PART NO 147320 |



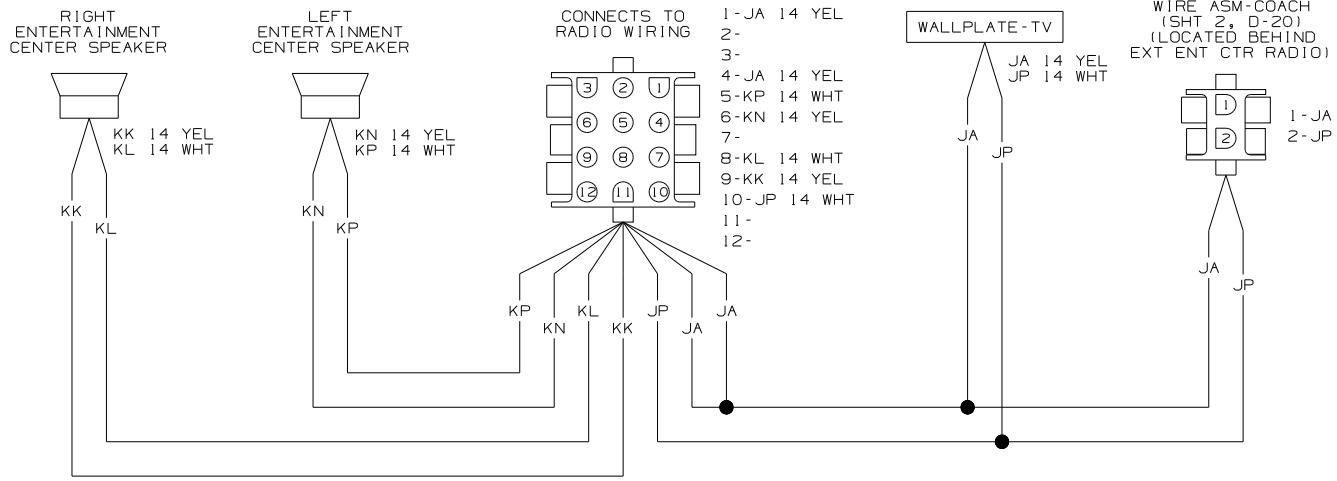
NOTES:

3 SEE MANUFACTURERS DIAGRAM FOR ADDITIONAL INFORMATION.

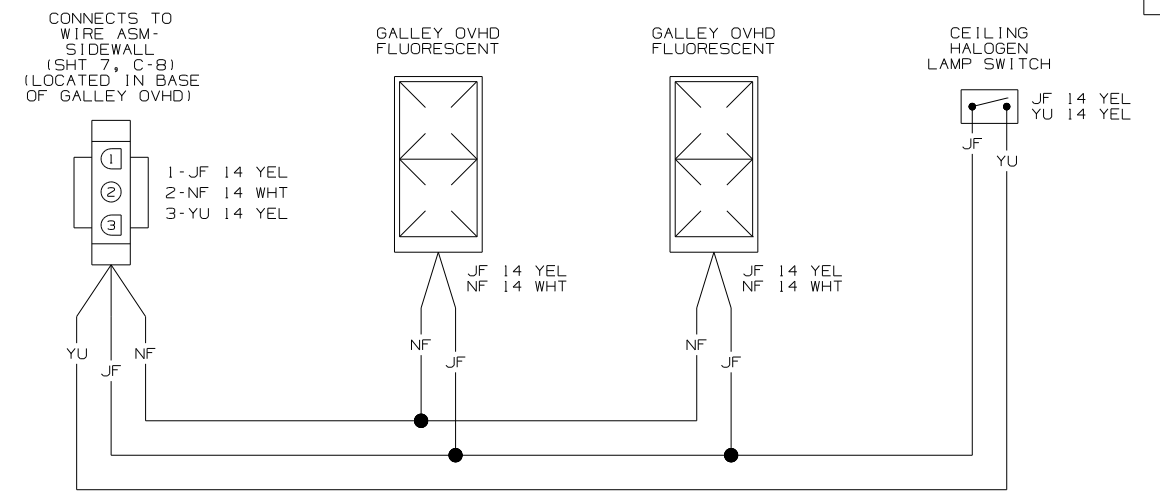
2 SEE SHT 2 FOR ADDITIONAL INFORMATION.

1 SEE SHT 1 FOR ADDITIONAL INFORMATION.

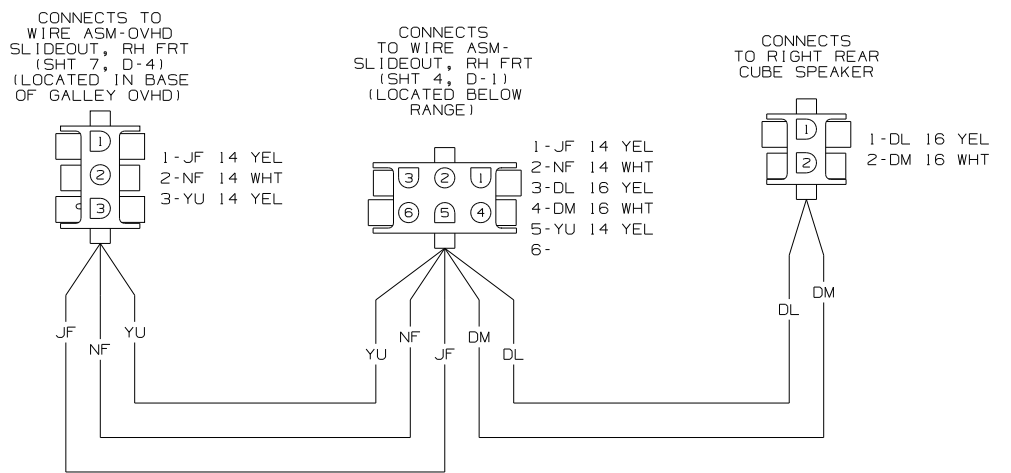
| | |
|------------|--------------------------|
| FIRST USED | 04 S40KD |
| TITLE | DO NOT SCALE DRAWING |
| TITLE | WIRING DIAGRAM-BODY, 12V |
| SHEET 6 | PART NO 147320 |



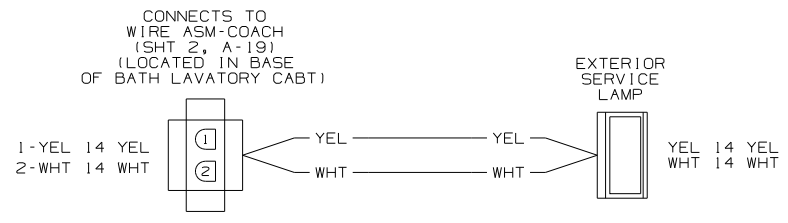
WIRING DIAGRAM-ENTERTAINMENT CENTER (WIRE ASM 125853-07 REV-L)



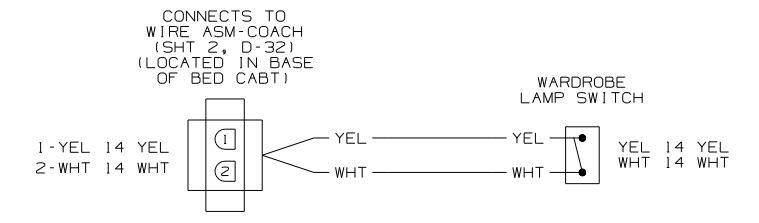
WIRING DIAGRAM-OVHD SLIDEOUT, RH FRT (WIRE ASM 142694-02 REV-C)



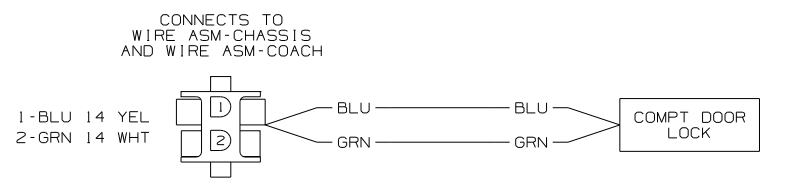
WIRING DIAGRAM-SIDEWALL (WIRE ASM 143226-03 REV-E)



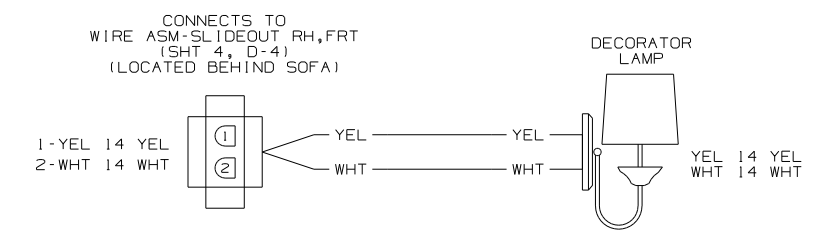
WIRING DIAGRAM-EXTENSION, 2 PIN (WIRE ASM 133572-01 REV-E)



WIRING DIAGRAM-EXTENSION, 2 PIN (WIRE ASM 133572-01 REV-E)



WIRING DIAGRAM-LOCKS, COMPT DOORS (WIRE ASM 135834-02 REV-H)



WIRING DIAGRAM-SLIDEOUT WALL (WIRE ASM 133572-01 REV-E)

| | |
|------------|--------------------------|
| FIRST USED | 04 S40KD |
| TITLE | DO NOT SCALE DRAWING |
| TITLE | WIRING DIAGRAM-BODY, 12V |
| SHEET 7 | PART NO 147320 |
| 1 1/7/2004 | |