



DANGER

Danger of electrical shock, burns or death. Always remove all power sources before attempting any repair, service or diagnostic work. Power can be present from shore power, generator, inverter or battery. All power sources must be disabled and secured before performing any service.

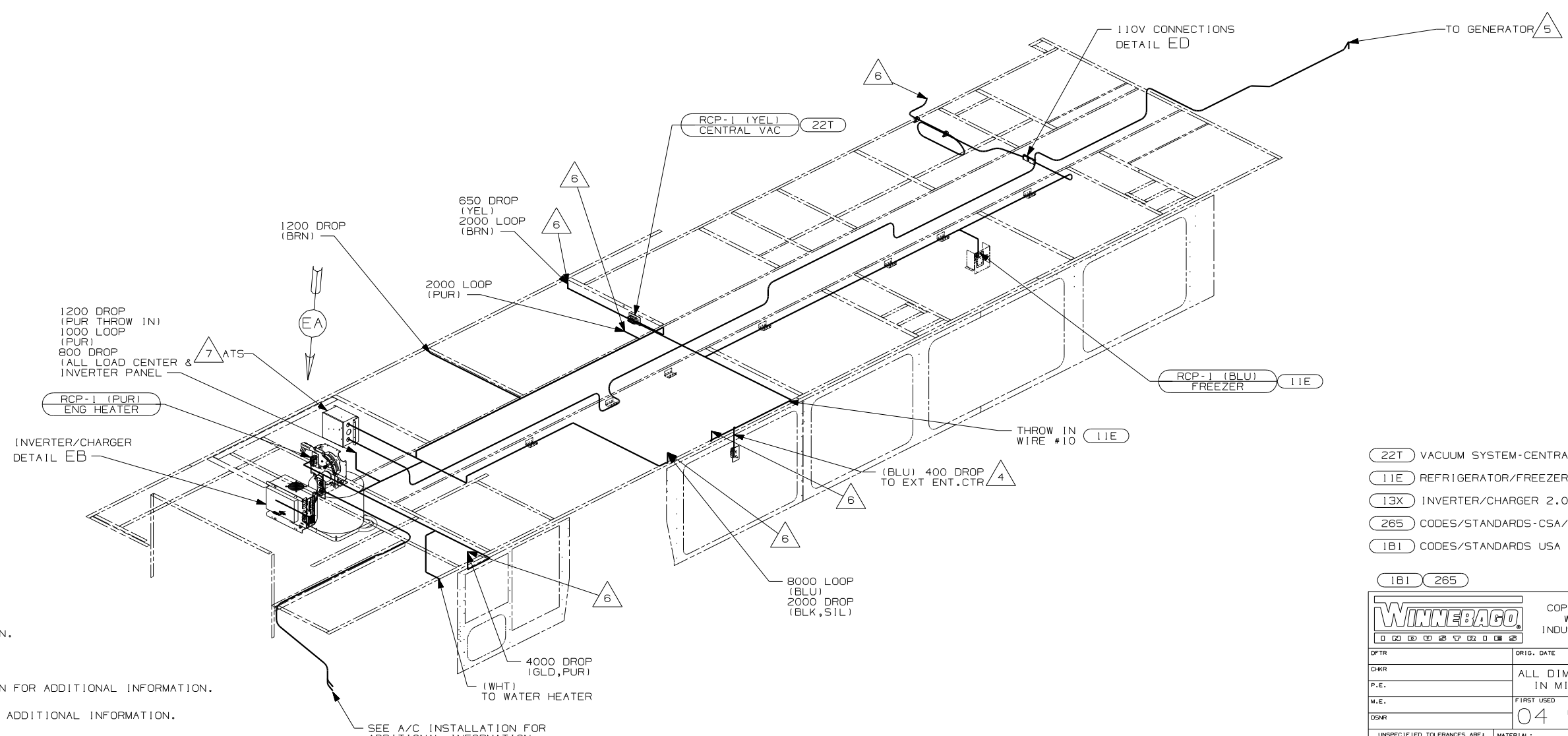


CAUTION

If you lack the skills, tools or equipment to perform diagnostic or repair work leave such work to an authorized Winnebago Industries dealer or other qualified shop.

DRAWING NO.	FEATURE
147319-01
147319-14	1B1 78J 13X
147319-18	265 78J 13X

RELEASE	REV DATE	DWG NO
A		147319
REV ZONE	REVISION RECORD	DATE DFR-ORIG



- (22T) VACUUM SYSTEM-CENTRAL
- (11E) REFRIGERATOR/FREEZER PORTABL
- (13X) INVERTER/CHARGER 2.0 KW
- (265) CODES/STANDARDS-CSA/CMVSS
- (1B1) CODES/STANDARDS USA

- △ 7 SEE LOAD CENTER/ATS ASM FOR ADDITIONAL INFORMATION.
- △ 6 TO ABOVE FLOOR.
- △ 5 SEE GENERATOR INSTALLATION FOR ADDITIONAL INFORMATION.
- △ 4 SEE EXT ENT CTR COMPT FOR ADDITIONAL INFORMATION.

3. WIRES THAT REST ON WIRE TRAYS ARE TO BE TIED DOWN WITH WIRE TIE 8343-04-000.
2. CLAMP TO FLOOR SUPPORT TUBES AS NECESSARY WITH CLAMP 10497-01-000.
1. ALL WIRES TO BE SECURED WITH CLAMP 10495-01-000 OR CLIP 80734-01-000 EVERY 600MM. USE SCREW 667-10-12B UNLESS OTHERWISE SPECIFIED.

(X-X) FOR ELECTRICAL CALLOUTS SEE DWG NO. 121339-01-000

FOR ELECTRICAL TORQUE SPECIFICATIONS SEE DWG NO. 128783-01-000

WINNEBAGO COPYRIGHT 2004 WINNEBAGO INDUSTRIES, INC.

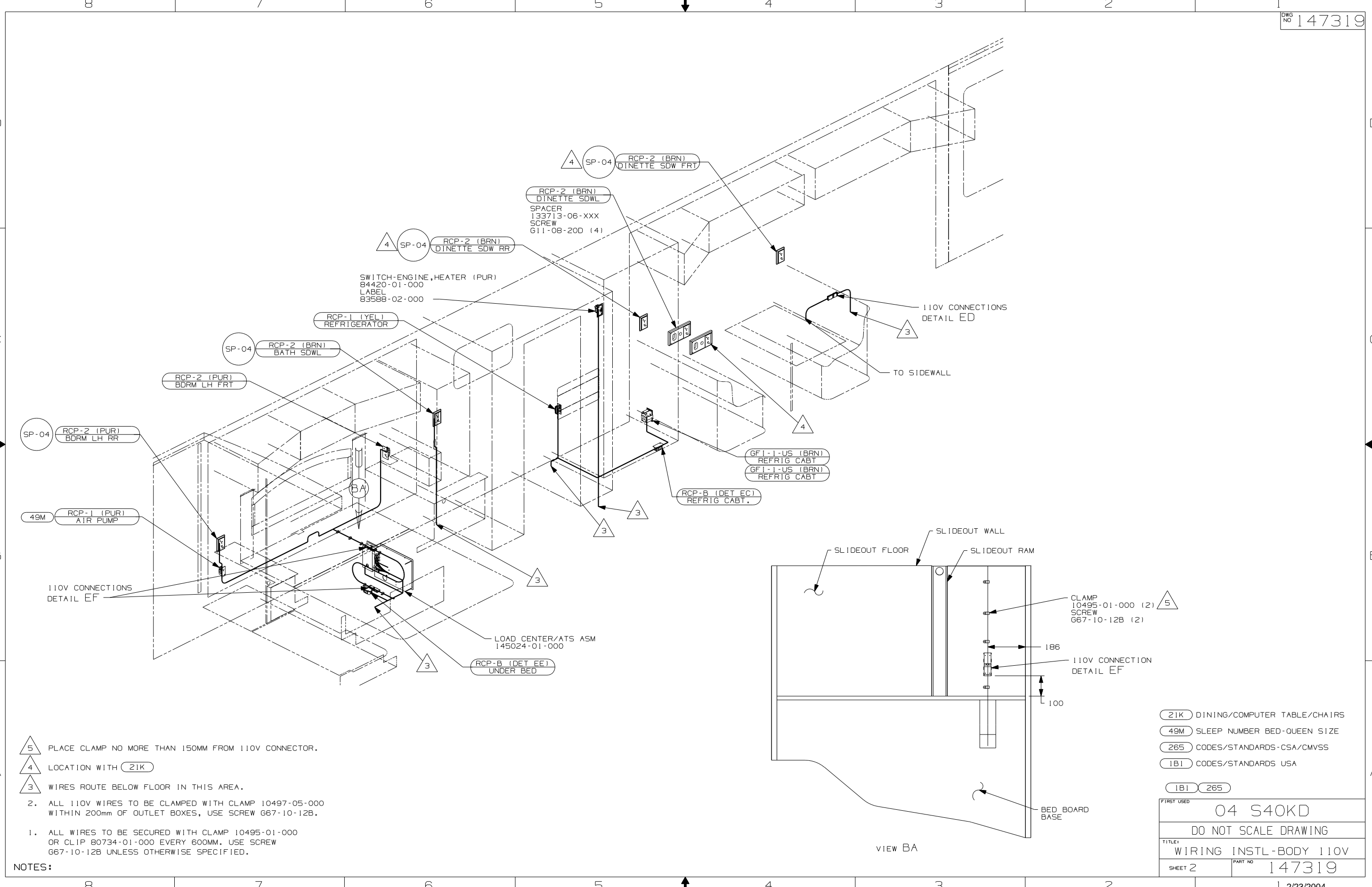
DFTR	ORIG. DATE
CHKR	ALL DIMENSIONS ARE IN MILLIMETERS
P.E.	
M.E.	FIRST USED
DSNR	04 S40KD
UNSPECIFIED TOLERANCES ARE:	MATERIAL:
HOLE DIM (X) :	
ONE-PLACE (X.X) :	
TWO-PLACE (X.XX) :	
ANGLE :	
THIRD ANGLE PROJECTION	

DO NOT SCALE DRAWING

TITLE: WIRING INSTL-BODY 110V

SHEET 1 of 5 PART NO 147319

REF: 1 2/23/2004



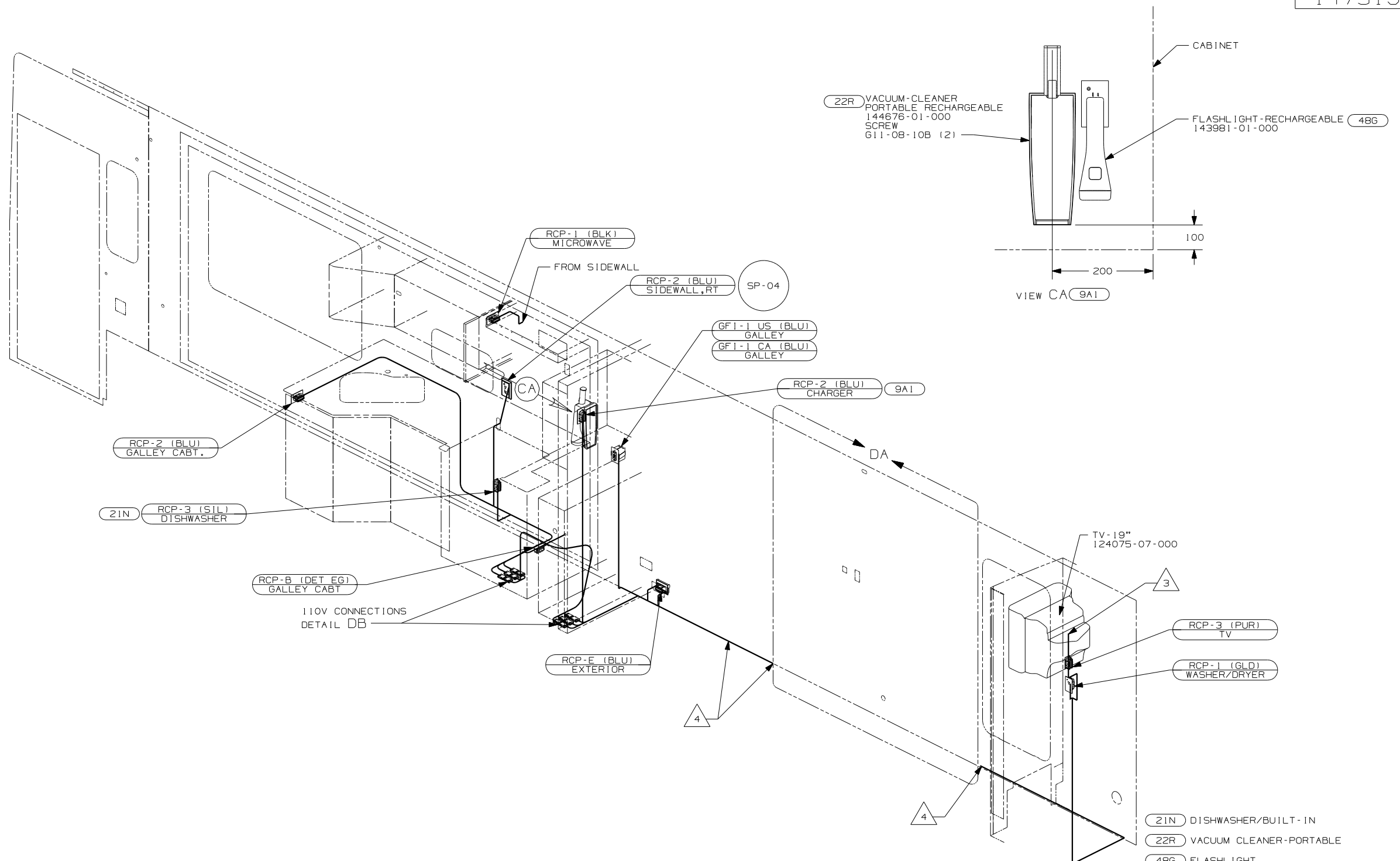
- 5 PLACE CLAMP NO MORE THAN 150MM FROM 110V CONNECTOR.
- 4 LOCATION WITH 21K
- 3 WIRES ROUTE BELOW FLOOR IN THIS AREA.

2. ALL 110V WIRES TO BE CLAMPED WITH CLAMP 10497-05-000 WITHIN 200mm OF OUTLET BOXES, USE SCREW G67-10-12B.
1. ALL WIRES TO BE SECURED WITH CLAMP 10495-01-000 OR CLIP B0734-01-000 EVERY 600MM. USE SCREW G67-10-12B UNLESS OTHERWISE SPECIFIED.

NOTES:

- 21K DINING/COMPUTER TABLE/CHAIRS
- 49M SLEEP NUMBER BED-QUEEN SIZE
- 265 CODES/STANDARDS-CSA/CMVSS
- 1B1 CODES/STANDARDS USA

FIRST USED	04 S40KD	
TITLE:	DO NOT SCALE DRAWING	
	WIRING INSTL-BODY 110V	
SHEET 2	PART NO	147319



△ 4 TO BELOW FLOOR.
 △ 3 WIRE FROM ROOF ASM.

2. ALL 110V WIRES TO BE CLAMPED WITH CLAMP 10497-05-000 WITHIN 200mm OF OUTLET BOXES, USE SCREW G67-10-12B.
1. ALL WIRES TO BE SECURED WITH CLAMP 10495-01-000 OR CLIP 80734-01-000 EVERY 600MM. USE SCREW G67-10-12B UNLESS OTHERWISE SPECIFIED.

NOTES:

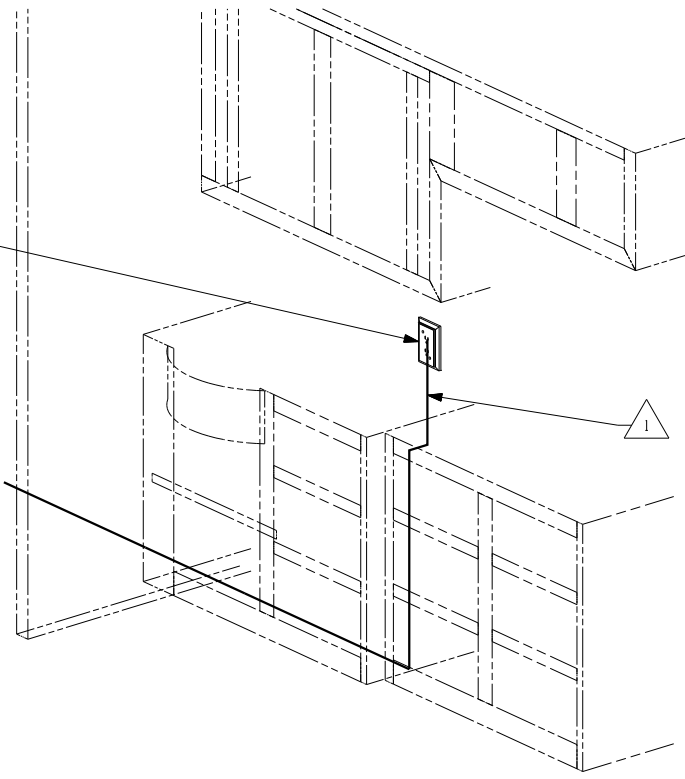
FOR ELECTRICAL TORQUE SPECIFICATIONS SEE DWG NO. 128783-01-000

FOR ELECTRICAL CALLOUTS SEE DWG NO. 121339-01-000

- △ 21N DISHWASHER/BUILT-IN
- △ 22R VACUUM CLEANER-PORTABLE
- △ 48G FLASHLIGHT
- △ 9A1 ACCESSORY PACKAGE
- △ 265 CODES/STANDARDS-CSA/CMVSS
- △ 1B1 CODES/STANDARDS USA

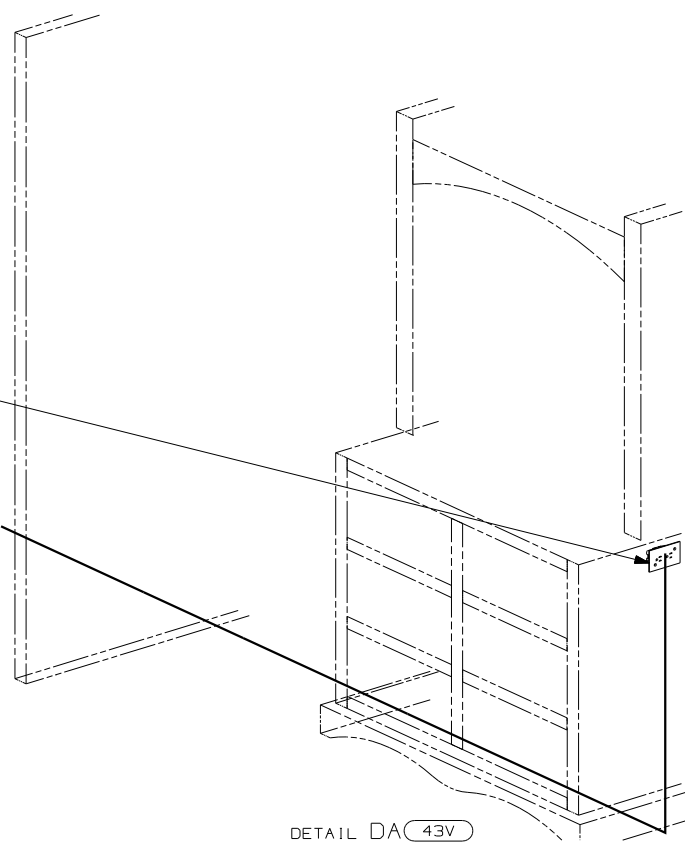
FIRST USED	04 S40KD
DO NOT SCALE DRAWING	
TITLE:	WIRING INSTL-BODY 110V
SHEET 3	PART NO 147319

SP-04 RCP-2 (BLU) BDRM VANITY

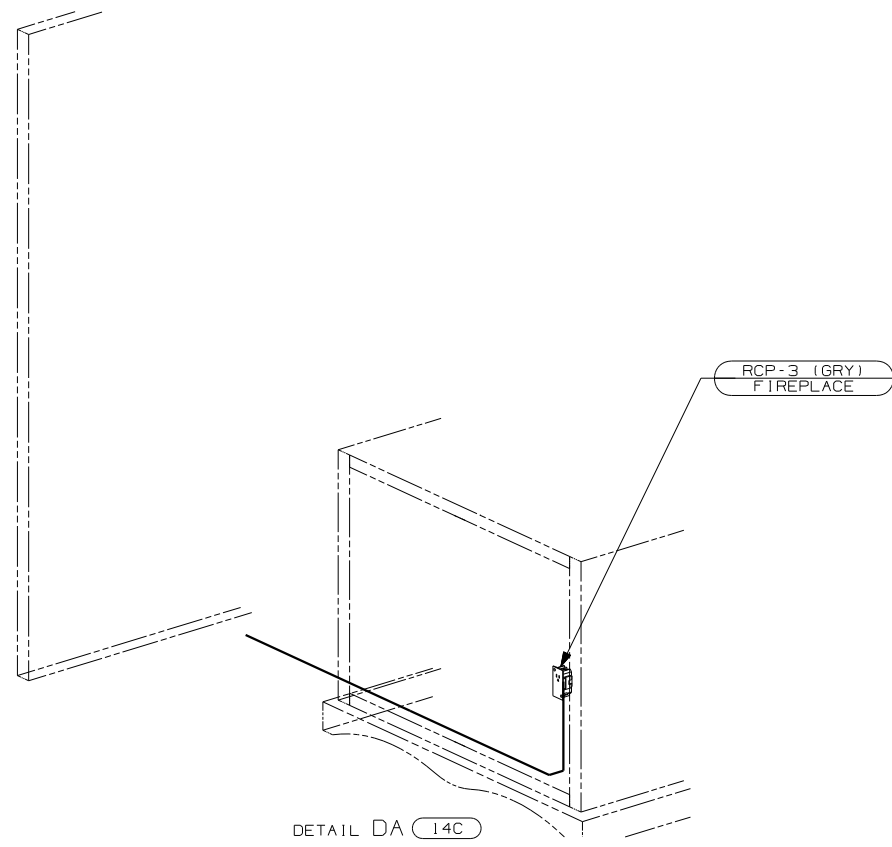


DETAIL DA 43W

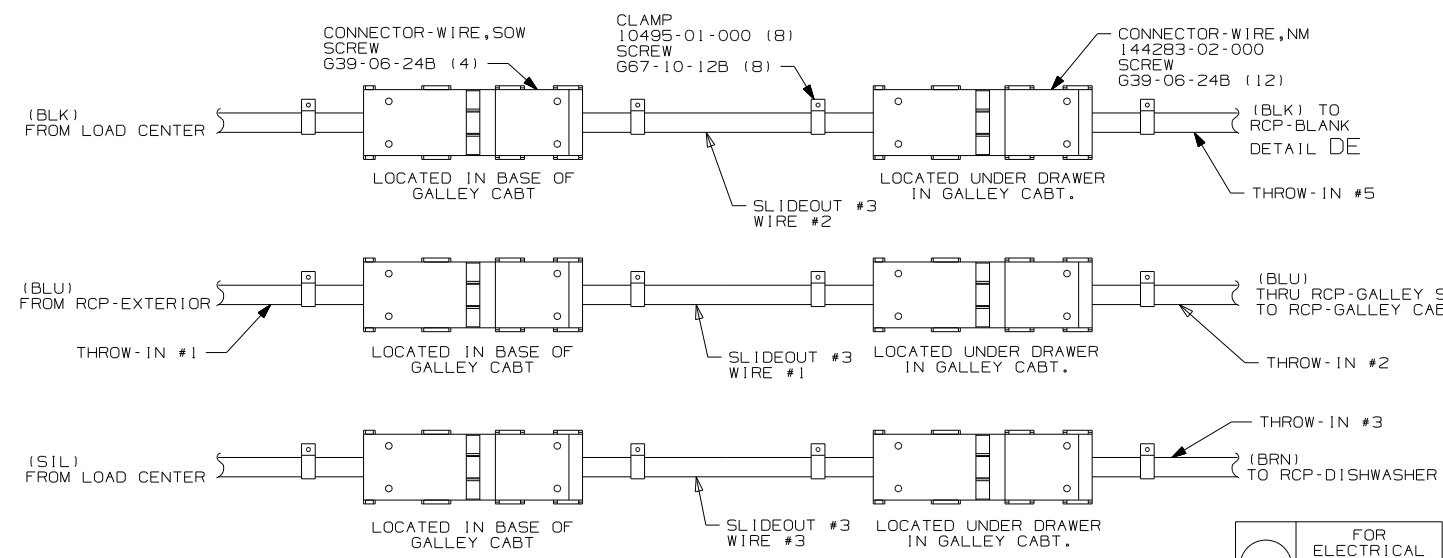
RCP-2 (BLU) BDRM DRESSER



DETAIL DA 43V



DETAIL DA 14C



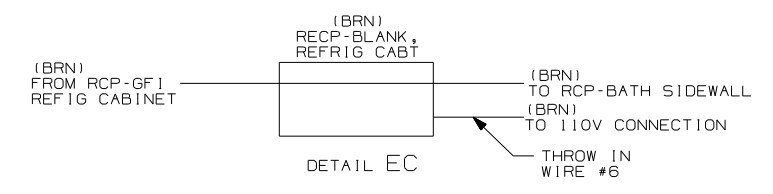
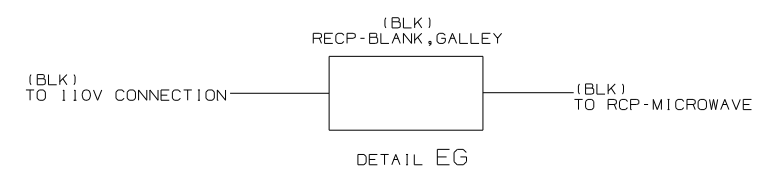
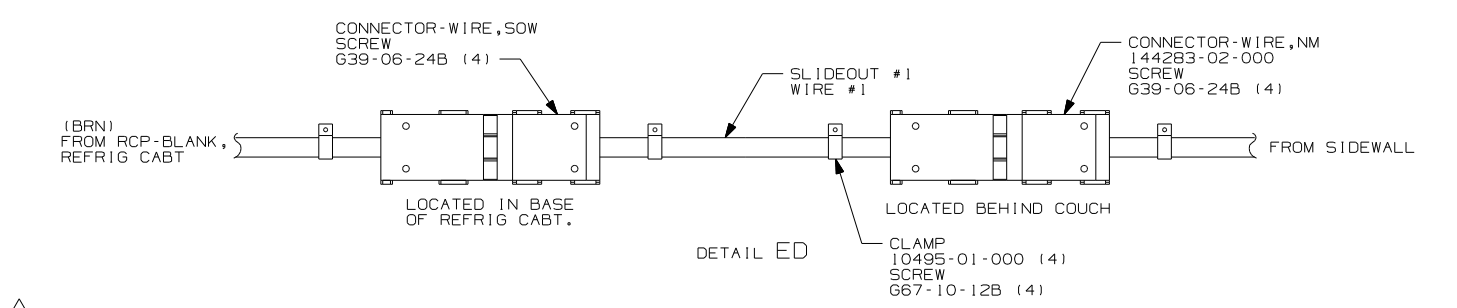
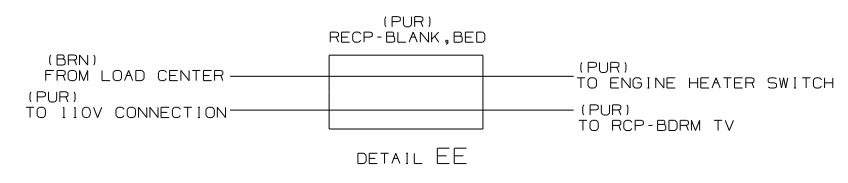
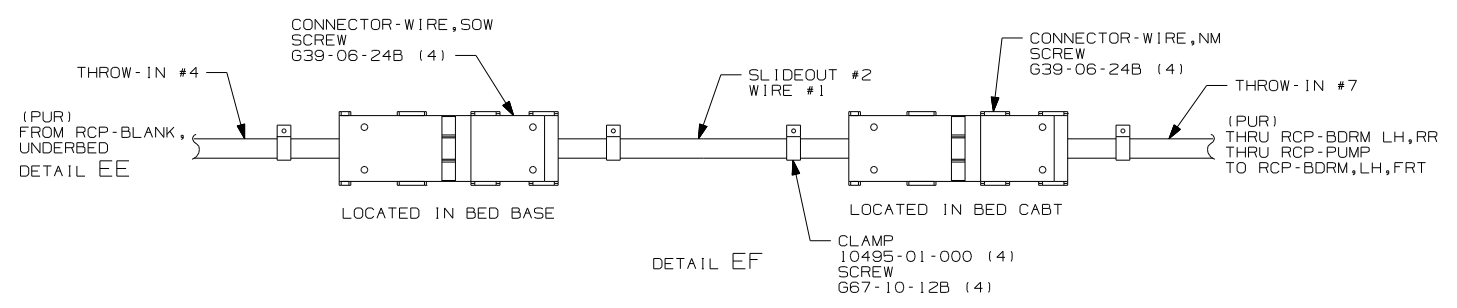
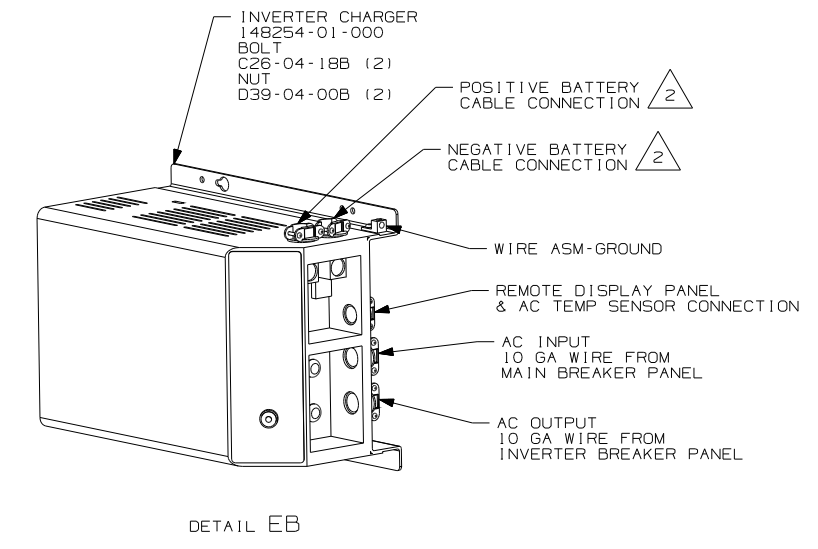
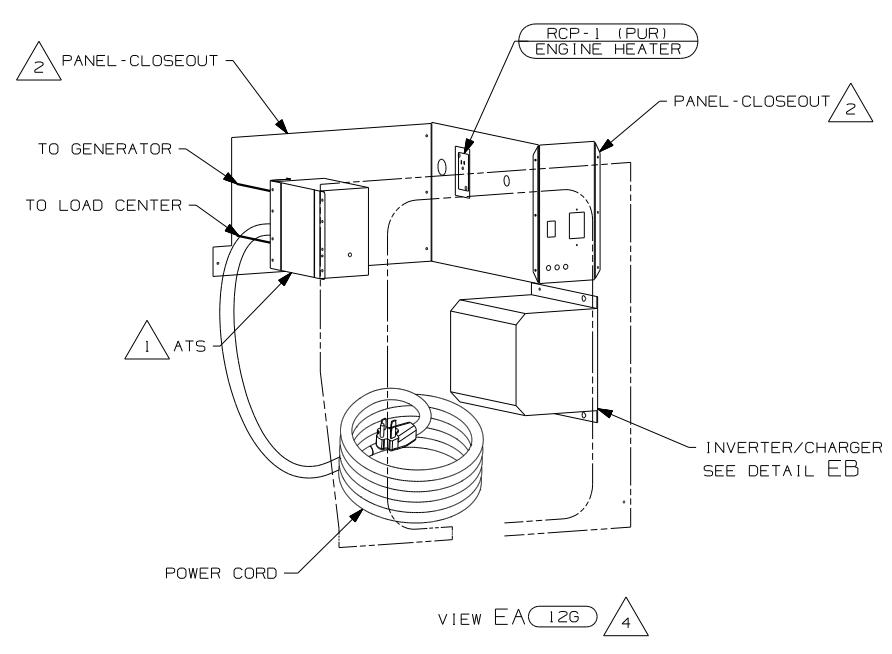
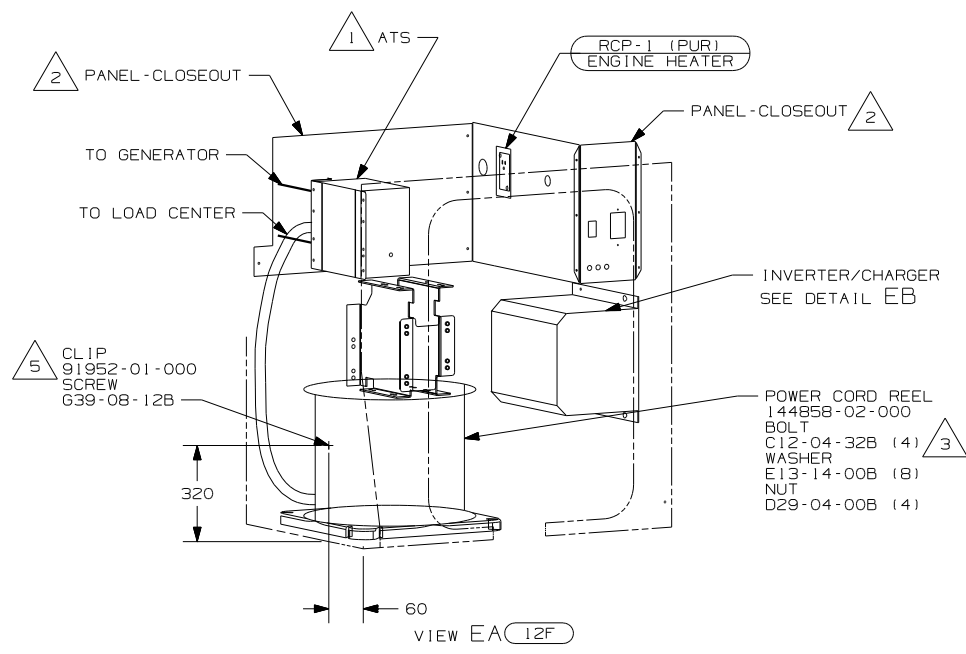
- 14C FIREPLACE/CABINET-BEDROOM
- 43W CABINET-LAVATORY
- 43V CABINET-CHEST OF DRAWERS
- 265 CODES/STANDARDS-CSA/CMVSS
- 1B1 CODES/STANDARDS USA

FIRST USED	04 S40KD
DO NOT SCALE DRAWING	
TITLE	WIRING INSTL-BODY 110V
SHEET 4	PART NO 147319

1 ROUTE WIRE IN SIDEWALL DURING INSTALLATION.

NOTES:

FOR ELECTRICAL CALLOUTS SEE DWG NO. 121339-01-000



- NOTES:
- 5 FASTEN CLIP TO INSIDE LEFT COMPARTMENT WALL.
 - 4 PLUG POWER CORD REEL MOUNTING HOLES WITH PLUG-PLASTIC 81211-01-000 (4)
 - 3 INSERT BOLT FROM BOTTOM OF COMPARTMENT.
 - 2 SEE WIRING INSTL-CHASSIS FOR ADDITIONAL INFORMATION.
 - 1 SEE LOAD CENTER/ATS ASM FOR ADDITIONAL INFORMATION.

- 12G POWER CORD REEL - WITHOUT
- 12F POWER CORD REEL
- 265 CODES/STANDARDS - CSA/CMVSS
- 1B1 CODES/STANDARDS - USA

FIRST USED	
04 S40KD	
DO NOT SCALE DRAWING	
TITLE: WIRING INSTL-BODY 110V	
SHEET 5	PART NO 147319