



DANGER

Danger of electrical shock, burns or death. Always remove all power sources before attempting any repair, service or diagnostic work. Power can be present from shore power, generator, inverter or battery. All power sources must be disabled and secured before performing any service.



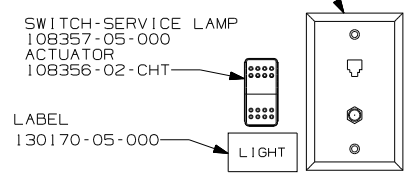
CAUTION

If you lack the skills, tools or equipment to perform diagnostic or repair work leave such work to an authorized Winnebago Industries dealer or other qualified shop.

DRAWING NO.	-----
147318-01	WIN
147318-02	ITA

RELEASE	REV/DATE	DWG NO
	A	147318
REV ZONE	REVISION RECORD	DATE
		DTR-0R16

1 PLATE-WALL, TELEPHONE/COAX
 130686-01-CHT
 LABEL
 87236-01-000
 SCREW
 639-08-08U (2)

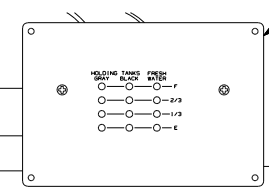


VIEW AB

SWITCH-SERVICE LAMP
 108357-05-000
 ACTUATOR
 108356-02-CHT
 18 PIN HOUSING WITH
 CIRCUITS KKH,WA & KKJ

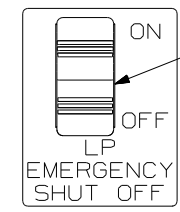
SWITCH-MONITOR
 108357-09-000
 ACTUATOR
 108356-02-CHT
 18 PIN HOUSING WITH
 CIRCUITS BBY & CCR

SWITCH-PUMP
 108357-15-000
 ACTUATOR
 108356-04-CHT
 18 PIN HOUSING WITH
 CIRCUITS AG,AF,JA,JS & JP



MONITOR PANEL
 129561-01-CHT
 SCREW
 639-08-08U (2)

VIEW AA



DETAIL AC

SWITCH-LP SHUTOFF
 108357-01-000
 ACTUATOR
 108356-02-CHT
 LABEL
 130170-04-000

J,K
 TO 55 AMP BREAKER
 IHS
 TO 6 AMP BREAKER

WIRE ASM-CHASSIS

LF1-2

2 PIN HOUSING
 TO WIRE ASM-COMPT DOOR

TO COMPT LAMP SWITCH

TO WATER PUMP

WIRE ASM-MAIN HOLDING
 129619-01-000

WIRE ASM-AUX HOLDING
 129620-01-000

TO HOSE REEL

TO COMPT LAMP

2 PIN HOUSING
 TO POWER CORD REEL
 TO COMPT. LAMP SWITCH

2 PIN HOUSING
 TO WIRE ASM-POWER
 COMPT DOOR LOCK
 TO COMPT.LAMP

TO GROUND

4 PIN HOUSING
 TO FURNACE

WIRE ASM-COACH
 147317-01-000

SWITCH
 DETAIL AC

FROM WIRE ASM-CHASSIS
 CLAMP ALONG FLOOR
 TUBE WITH
 CLAMP
 10497-02-000 (3)

CLAMP ON FLOOR
 RISER WITH
 CLAMP
 10497-02-000 (2)

4 & 15 PIN HOUSING
 TO AWNING CONTROL BOX

2 PIN HOUSING
 TO WIRE ASM-POWER
 COMPT DOOR LOCK

RECEPTACLE - 12V
 132958-01-000 (11E)

WIRE ASM-
 TANK, WATER
 129617-01-000

2 PIN HOUSING
 TO WIRE ASM-POWER
 COMPT DOOR LOCK

2 PIN HOUSING,
 COAX CABLE &
 ANTENNA CABLE
 TO EXT ENT CTR.

ENTERTAINMENT CTR COMPL.
 145932-01-000

2 PIN HOUSING
 TO WIRE ASM-POWER
 COMPT DOOR LOCK

4 PIN HOUSING
 TO WATER HEATER

TO CENTRAL A/C
 (SEE A/C INSTALLATION
 FOR ADDITIONAL INFORMATION)

WIRE ASM-THERMOSTAT
 135131-01-000

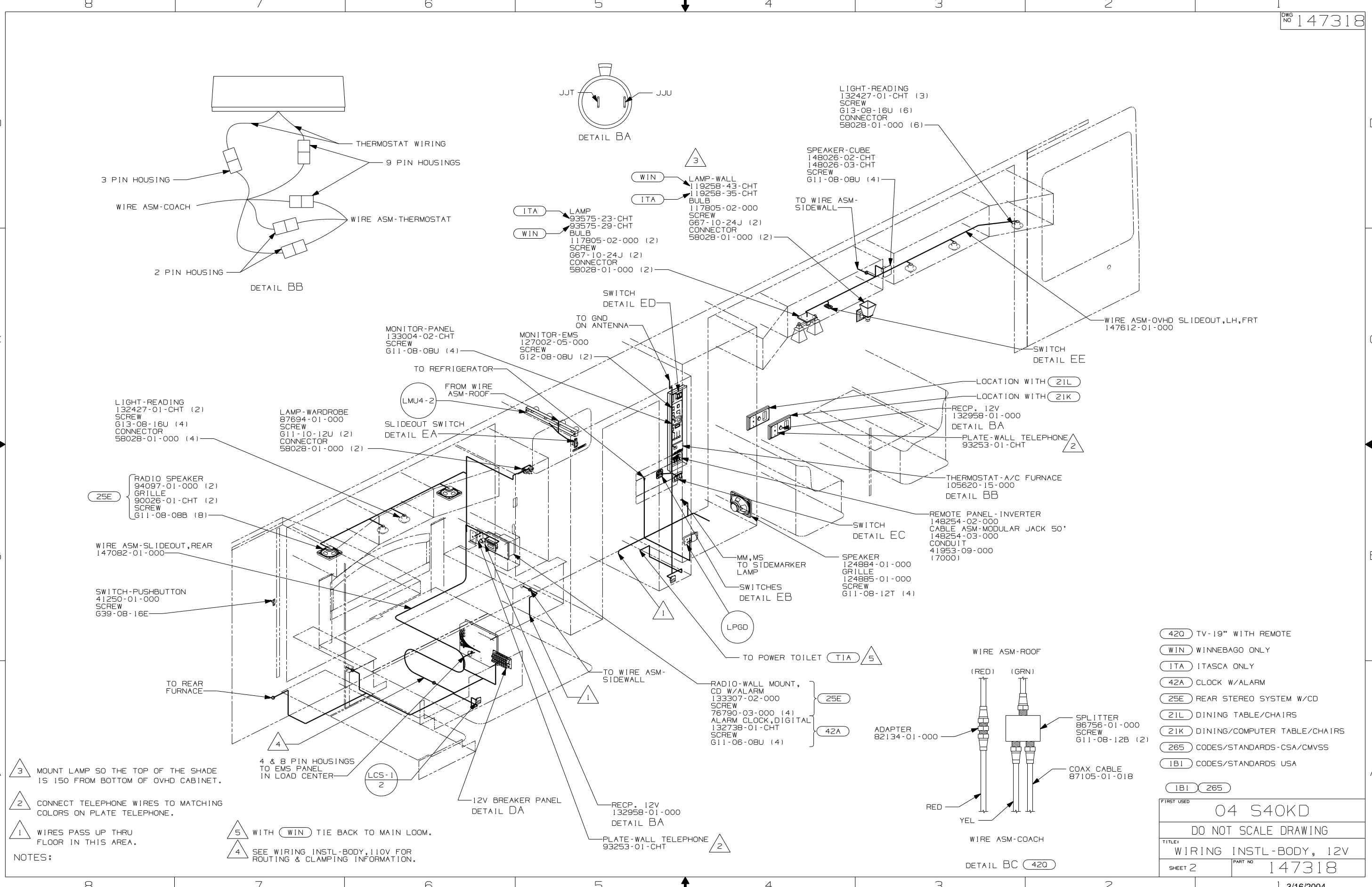
- (11E) REFRIGERATOR/FREEZER PORTABL
- (265) CODES/STANDARDS-CSA/CMVSS
- (1B1) CODES/STANDARDS USA
- (1B1) (265)

WINNEBAGO COPYRIGHT 2004 WINNEBAGO INDUSTRIES, INC.

DTR	ORIG. DATE
CHKR	ALL DIMENSIONS ARE IN MILLIMETERS
P.E.	
M.E.	FIRST USED
DSNR	04 S40KD
UNSPECIFIED TOLERANCES ARE:	MATERIAL:
WHOLE DIM (X) :	
ONE-PLACE (X.X) :	
TWO-PLACE (X.XX) :	
ANGLE :	
THIRD ANGLE PROJECTION	
DO NOT SCALE DRAWING	
TITLE: WIRING INSTL-BODY, 12V	
SHEET 1 OF 7	PART NO 147318

FOR ELECTRICAL CALLOUTS SEE DWG NO. 121339-01-000

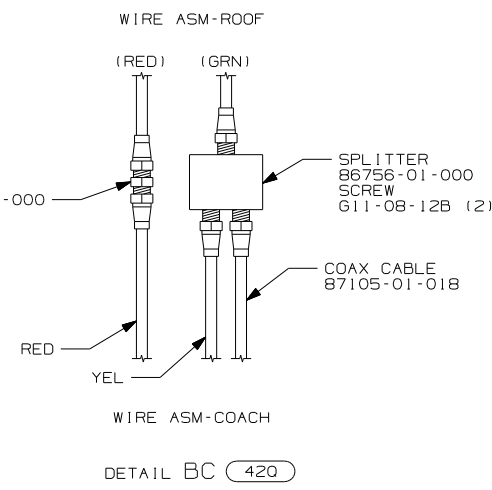
- NOTES:
- 4 WIRE PASSES UP THRU FLOOR IN THIS AREA.
 - 3 SEE WIRING INSTL-CHASSIS FOR ADDITIONAL INFORMATION.
 - 2 FOR MORE INFORMATION SEE A/C INSTL.
 - 1 CONNECT TELEPHONE WIRE TO MATCHING COLORS ON PLATE-TELEPHONE.



- NOTES:
- 3 MOUNT LAMP SO THE TOP OF THE SHADE IS 150 FROM BOTTOM OF OVHD CABINET.
 - 2 CONNECT TELEPHONE WIRES TO MATCHING COLORS ON PLATE TELEPHONE.
 - 1 WIRES PASS UP THRU FLOOR IN THIS AREA.
 - 5 WITH (WIN) TIE BACK TO MAIN LOOM.
 - 4 SEE WIRING INSTL-BODY, 110V FOR ROUTING & CLAMPING INFORMATION.

- (420) TV-19" WITH REMOTE
- (WIN) WINNEBAGO ONLY
- (ITA) ITASCA ONLY
- (42A) CLOCK W/ALARM
- (25E) REAR STEREO SYSTEM W/CD
- (21L) DINING TABLE/CHAIRS
- (21K) DINING/COMPUTER TABLE/CHAIRS
- (265) CODES/STANDARDS-CSA/CMVSS
- (1B1) CODES/STANDARDS USA

FIRST USED	
04 S40KD	
DO NOT SCALE DRAWING	
TITLE:	
WIRING INSTL-BODY, 12V	
SHEET 2	PART NO
	147318

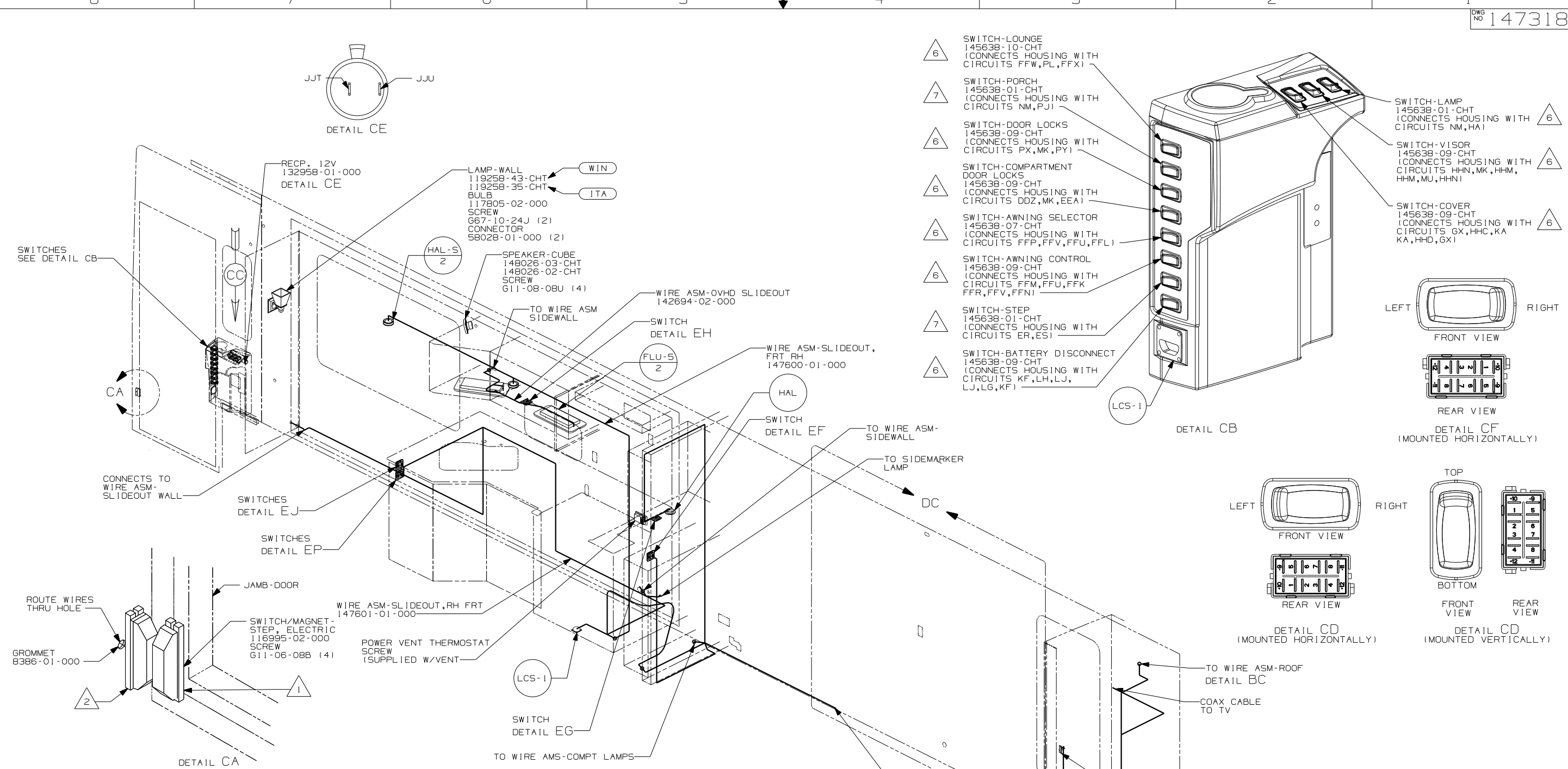


(T1A) 5

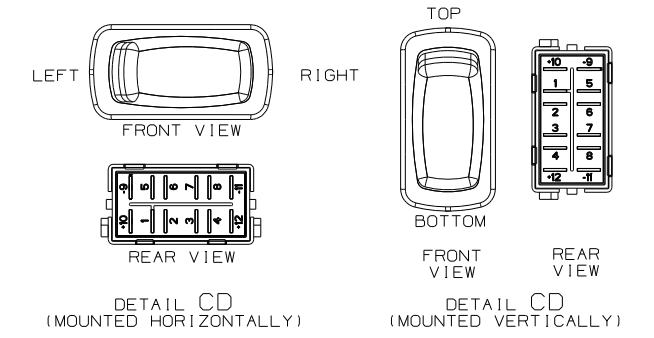
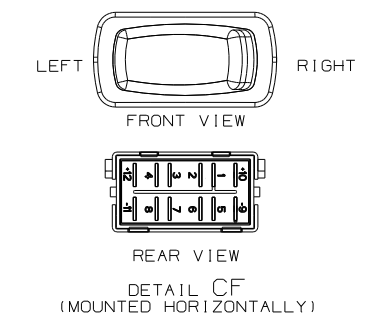
(25E)

(42A)

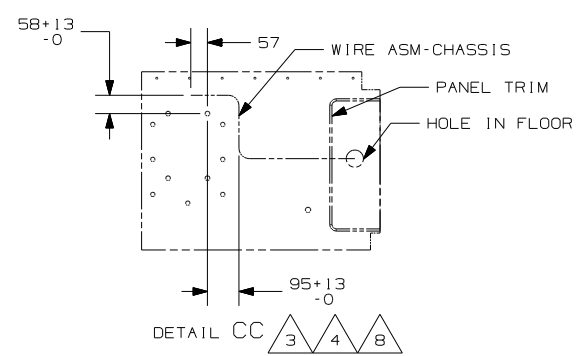
(420)



- △ 6 SWITCH-LOUNGE
145638-10-CHT
(CONNECTS HOUSING WITH
CIRCUITS FFV,PL,FFX)
- △ 7 SWITCH-PORCH
145638-01-CHT
(CONNECTS HOUSING WITH
CIRCUITS NM,PJ)
- △ 6 SWITCH-DOOR LOCKS
145638-09-CHT
(CONNECTS HOUSING WITH
CIRCUITS PX,MK,PY)
- △ 6 SWITCH-COMPARTMENT
DOOR LOCKS
145638-09-CHT
(CONNECTS HOUSING WITH
CIRCUITS DDZ,MK,EEA)
- △ 6 SWITCH-AWNING SELECTOR
145638-07-CHT
(CONNECTS HOUSING WITH
CIRCUITS FFP,FFV,FFU,FFL)
- △ 6 SWITCH-AWNING CONTROL
145638-09-CHT
(CONNECTS HOUSING WITH
CIRCUITS FFM,FFU,FFK
FFR,FFV,FFN)
- △ 7 SWITCH-STEP
145638-01-CHT
(CONNECTS HOUSING WITH
CIRCUITS ER,ES)
- △ 6 SWITCH-BATTERY DISCONNECT
145638-09-CHT
(CONNECTS HOUSING WITH
CIRCUITS KF,LH,LJ,
LJ,LG,KF)



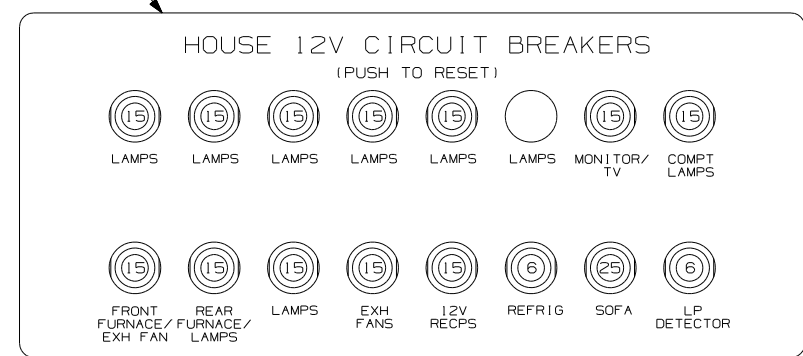
- NOTES:
- △ 8 WITHOUT 64J TIE BACK TO MAIN WIRE ASM.
 - △ 7 FOR SWITCH ORIENTATION SEE DETAIL CF.
 - △ 6 FOR SWITCH ORIENTATION SEE DETAIL CD.
 - △ 5 ROUTE WIRE THRU FLOOR IN THIS AREA.
 - △ 4 ROUTE WIRE UNDER CARPET AS SHOWN.
 - △ 3 SEE WIRING INSTL-FRONT END FOR ADDITIONAL INFORMATION.
 - △ 2 MOUNT MAGNET USING PILOT HOLES IN SCREEN DOOR FRAME. MOUNT WITH MAGNET TOWARD SWITCH.
 - △ 1 MOUNT SWITCH AND SPACER TO BLOCK ON JAMB, ADJUST HEIGHT TO MATCH MAGNET.



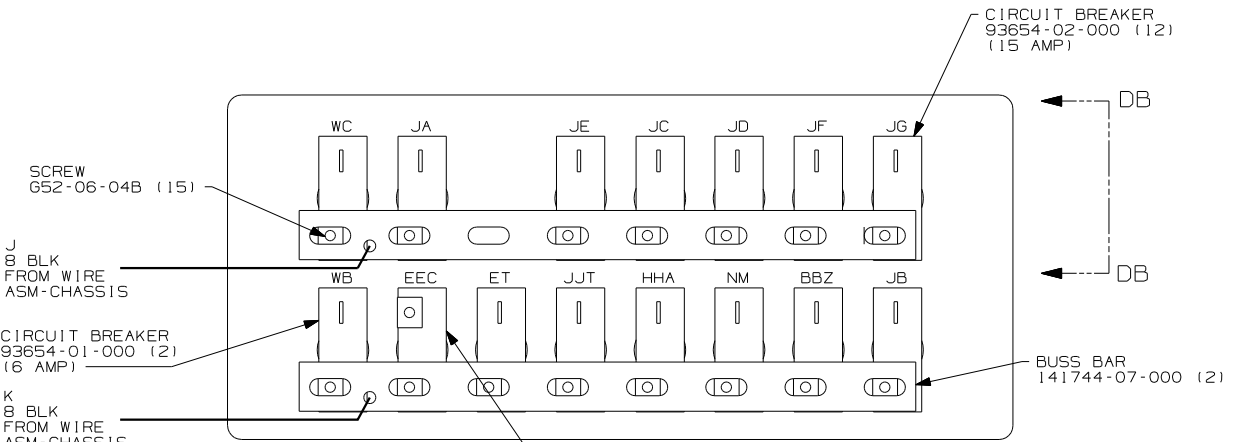
- 64J SEAT PED-6-WAY DR/PASS POWER
- ITA ITASCA ONLY
- WIN WINNEBAGO ONLY
- 265 CODES/STANDARDS-CSA/CMVSS
- 1B1 CODES/STANDARDS USA

FIRST USED	04 S40KD
TITLE	DO NOT SCALE DRAWING
	WIRING INSTL-BODY, 12V
SHEET 3	PART NO 147318

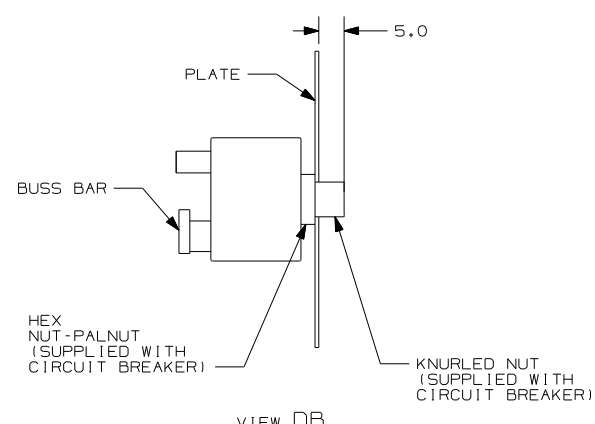
PLATE
139067-05-CHT
LABEL
92547-13-000
SCREW
611-10-12U (4)



DETAIL DA (FRONT VIEW)

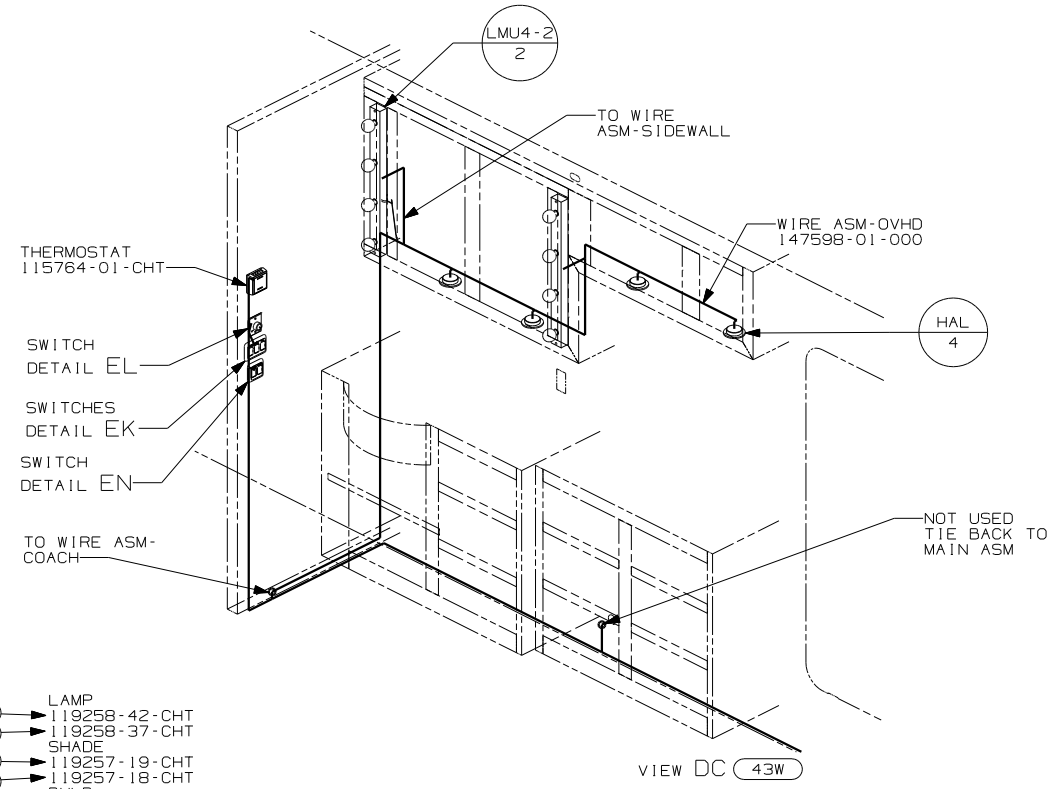


DETAIL DA (BACK VIEW)

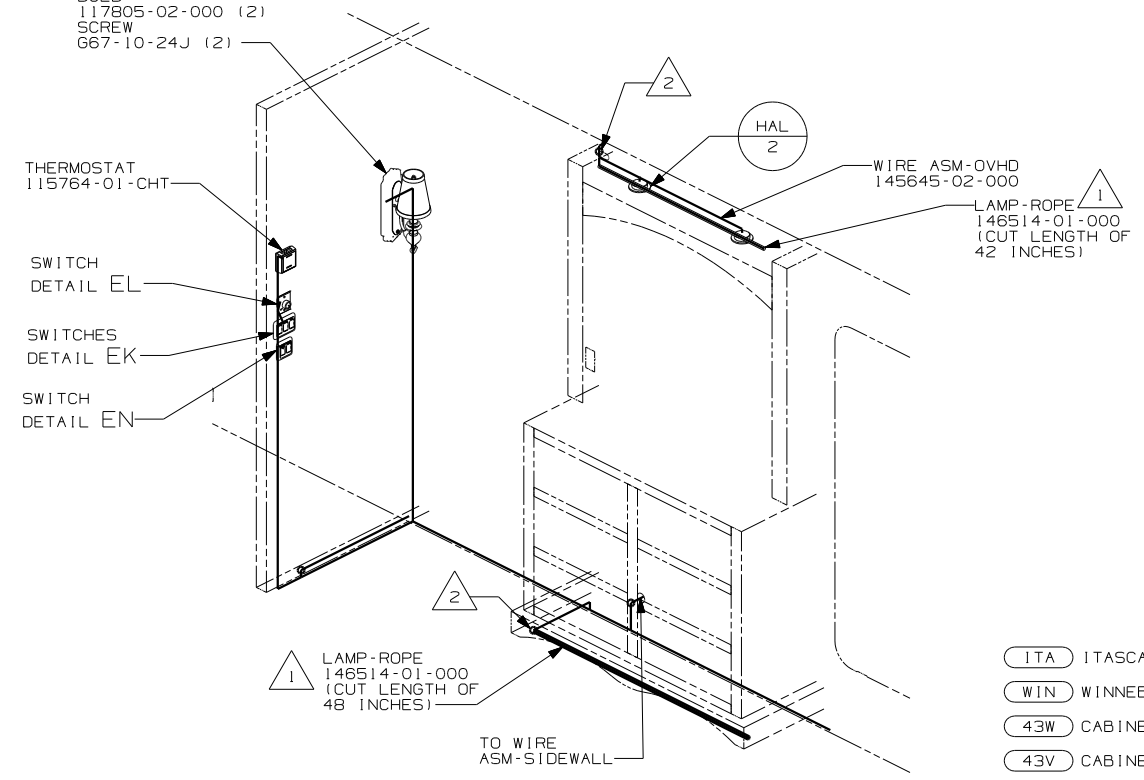


VIEW DB

- WIN LAMP 119258-42-CHT
- ITA SHADE 119258-37-CHT
- WIN LAMP 119257-19-CHT
- ITA LAMP 119257-18-CHT
- BULB 117805-02-000 (2)
- SCREW 667-10-24J (2)



VIEW DC 43W

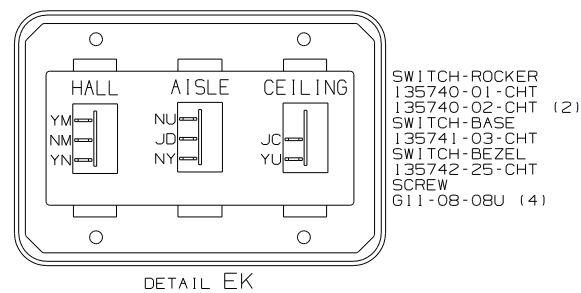
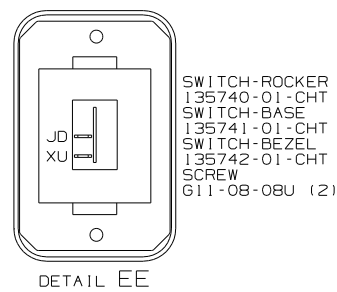
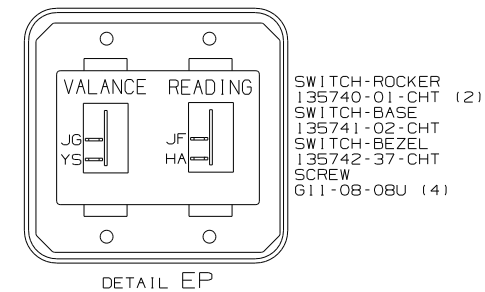
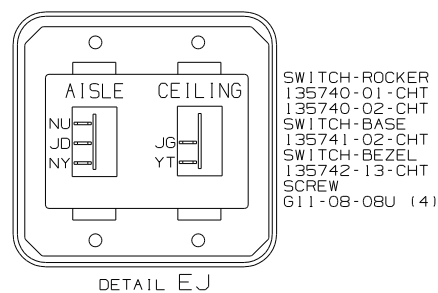
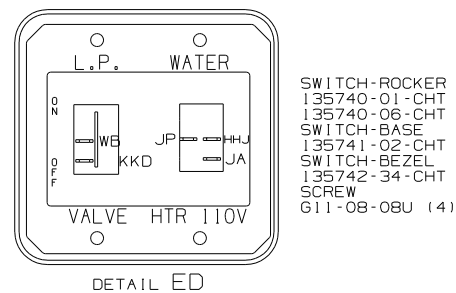
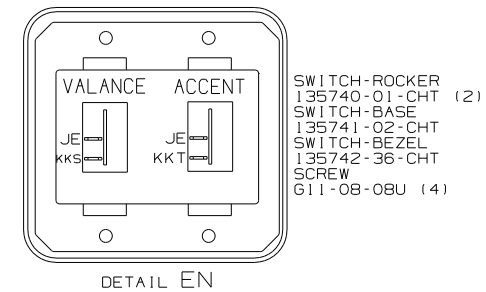
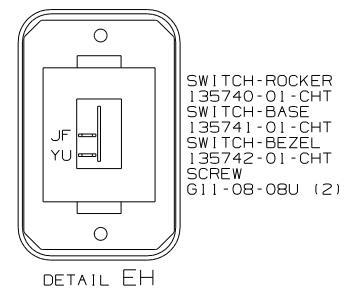
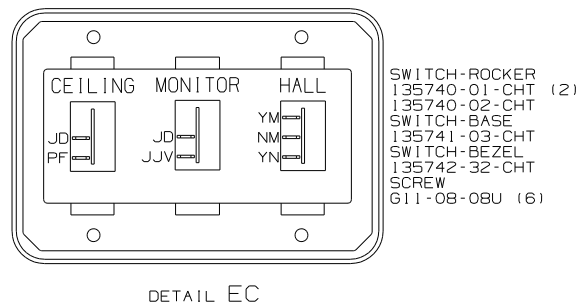
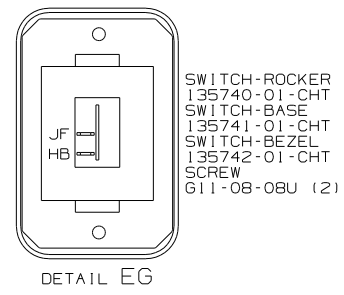
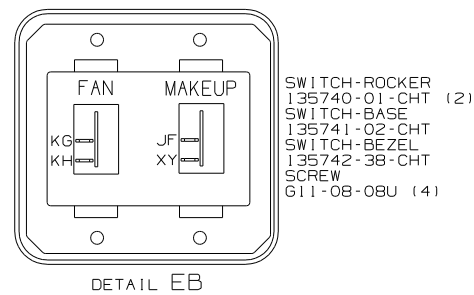
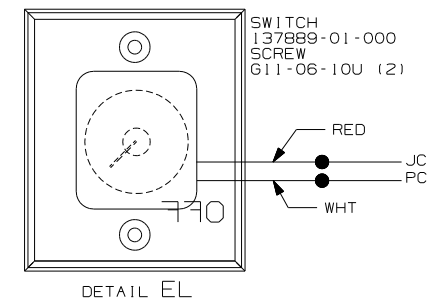
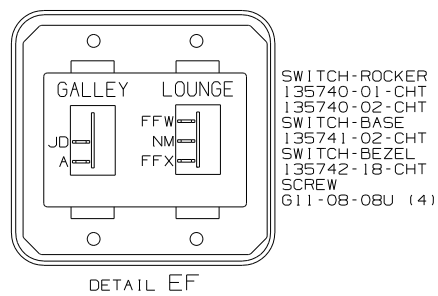
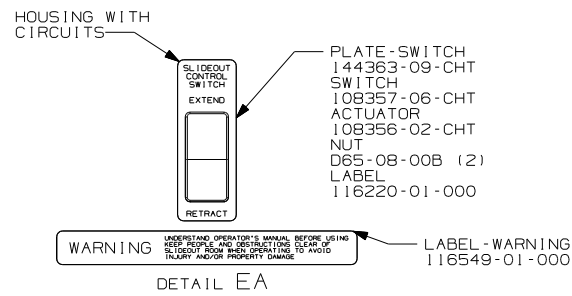


VIEW DC 43V

- ITA ITASCA ONLY
- WIN WINNEBAGO ONLY
- 43W CABINET-LAVATORY
- 43V CABINET-CHEST OF DRAWERS

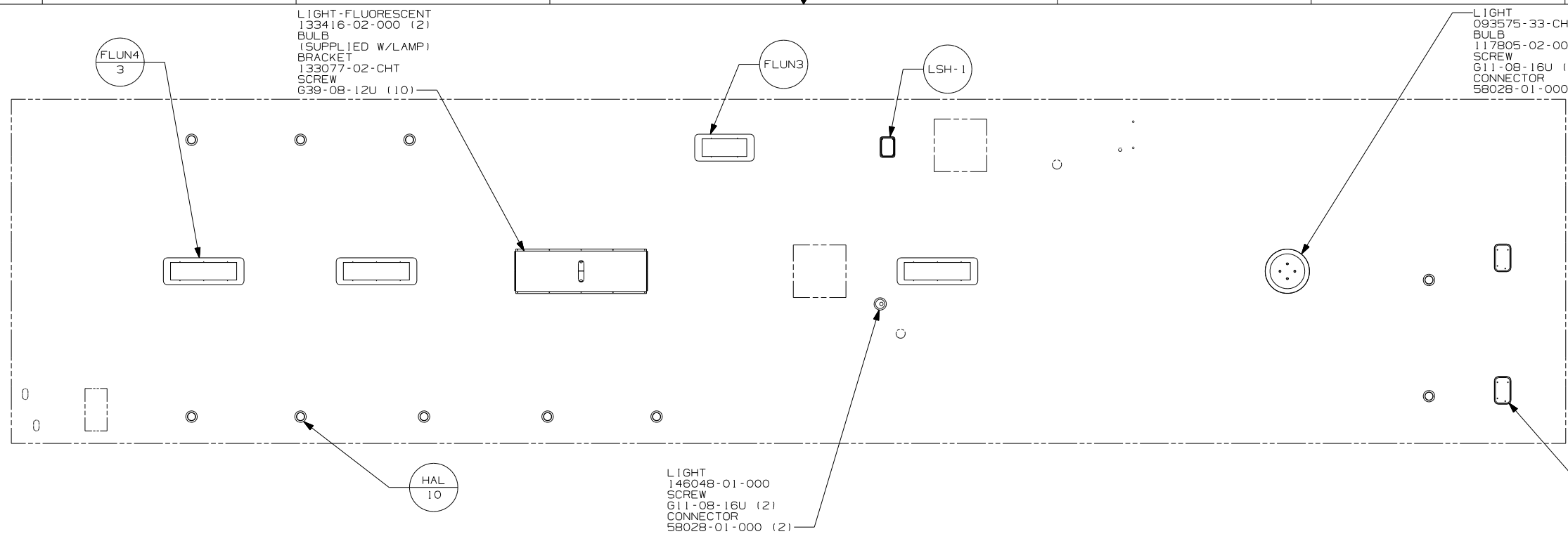
- NOTES:
- 2 PLACE CONNECTOR HERE TO MAKE CONNECTION TO MATING HOUSING.
 - 1 CUT ROPE LIGHT AT X MARKS ON LIGHT AND INSTALL CONNECTOR 146514-02-000.

FIRST USED	04 S40KD
TITLE	DO NOT SCALE DRAWING
TITLE	WIRING INSTL-BODY, 12V
SHEET 4	PART NO 147318



- (265) CODES/STANDARDS- CSA/CMVSS
- (1B1) CODES/STANDARDS USA
- (1B1) (265)

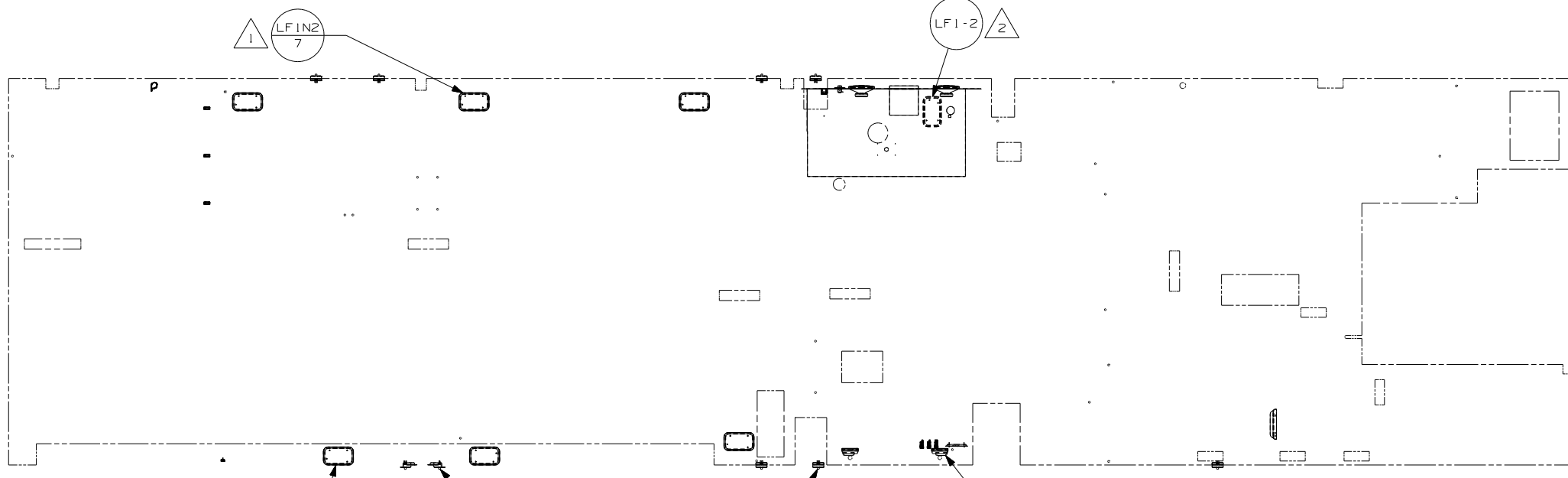
FIRST USED	04 S40KD
TITLE	DO NOT SCALE DRAWING
	WIRING INSTL-BODY, 12V
SHEET 5	PART NO 147318



LIGHT-FLUORESCENT
133416-02-000 (2)
BULB
(SUPPLIED W/LAMP)
BRACKET
133077-02-CHT
SCREW
G39-08-12U (10)

LIGHT
093575-33-CHT
BULB
117805-02-000 (5)
SCREW
G11-08-16U (3)
CONNECTOR
58028-01-000 (2)

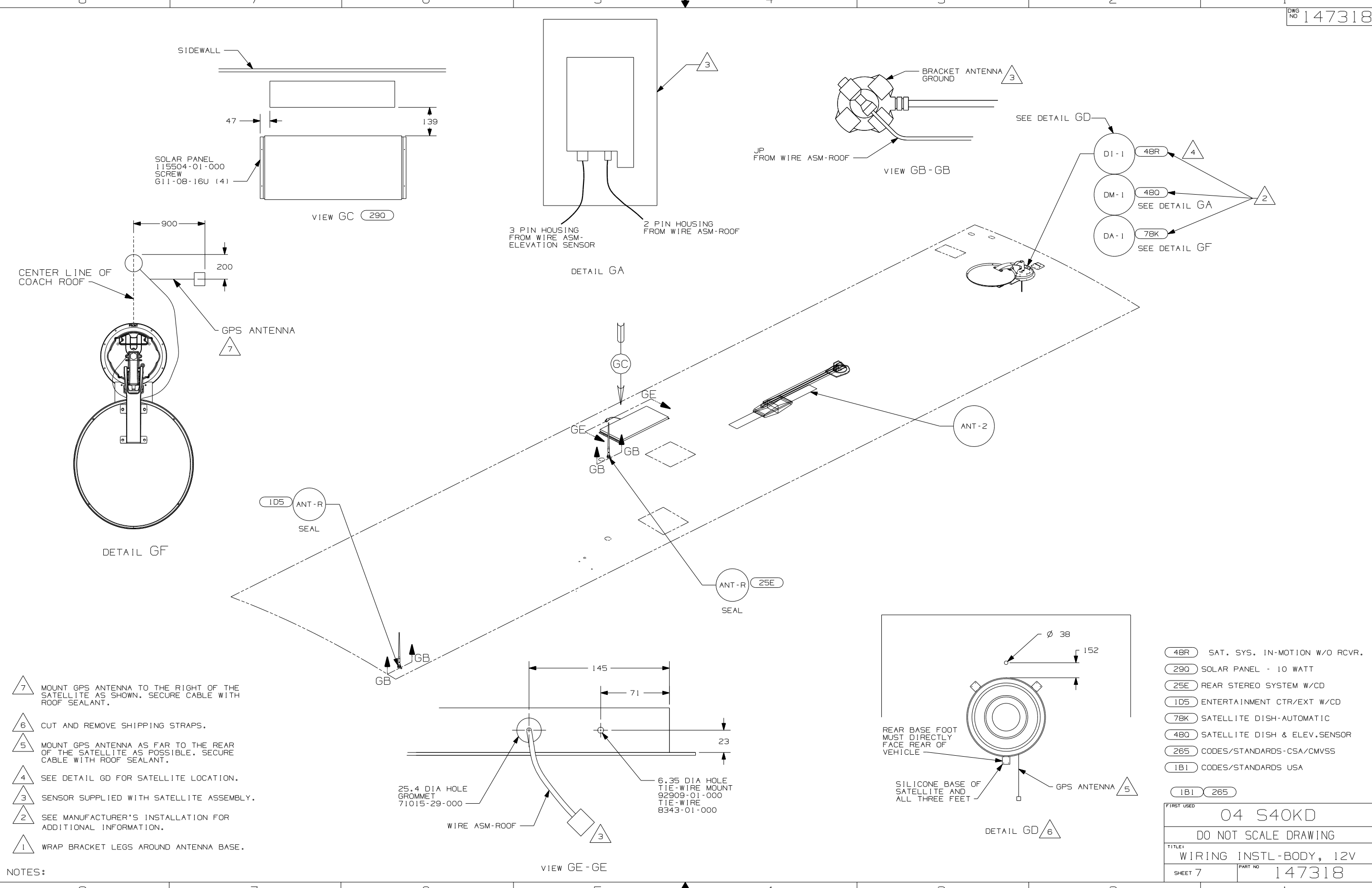
LIGHT
146048-01-000
SCREW
G11-08-16U (2)
CONNECTOR
58028-01-000 (2)



NOTES:
 2 LIGHT MOUNTED BELOW EXT ENT CTR.
 1 LAMPS TO BE MOUNTED 75±20 FROM EDGE OF FLOOR.

265 CODES/STANDARDS-CSA/CMVSS
 181 CODES/STANDARDS USA

FIRST USED	04 S40KD
TITLE	DO NOT SCALE DRAWING
	WIRING INSTL-BODY, 12V
SHEET 6	PART NO 147318



- 7 MOUNT GPS ANTENNA TO THE RIGHT OF THE SATELLITE AS SHOWN. SECURE CABLE WITH ROOF SEALANT.
- 6 CUT AND REMOVE SHIPPING STRAPS.
- 5 MOUNT GPS ANTENNA AS FAR TO THE REAR OF THE SATELLITE AS POSSIBLE. SECURE CABLE WITH ROOF SEALANT.
- 4 SEE DETAIL GD FOR SATELLITE LOCATION.
- 3 SENSOR SUPPLIED WITH SATELLITE ASSEMBLY.
- 2 SEE MANUFACTURER'S INSTALLATION FOR ADDITIONAL INFORMATION.
- 1 WRAP BRACKET LEGS AROUND ANTENNA BASE.

NOTES:

- 48R SAT. SYS. IN-MOTION W/O RCVR.
- 290 SOLAR PANEL - 10 WATT
- 25E REAR STEREO SYSTEM W/CD
- ID5 ENTERTAINMENT CTR/EXT W/CD
- 78K SATELLITE DISH-AUTOMATIC
- 480 SATELLITE DISH & ELEV.SENSOR
- 265 CODES/STANDARDS-CSA/CMVSS
- 1B1 CODES/STANDARDS USA

FIRST USED	
04 S40KD	
DO NOT SCALE DRAWING	
TITLE:	
WIRING INSTL-BODY, 12V	
SHEET 7	PART NO
	147318