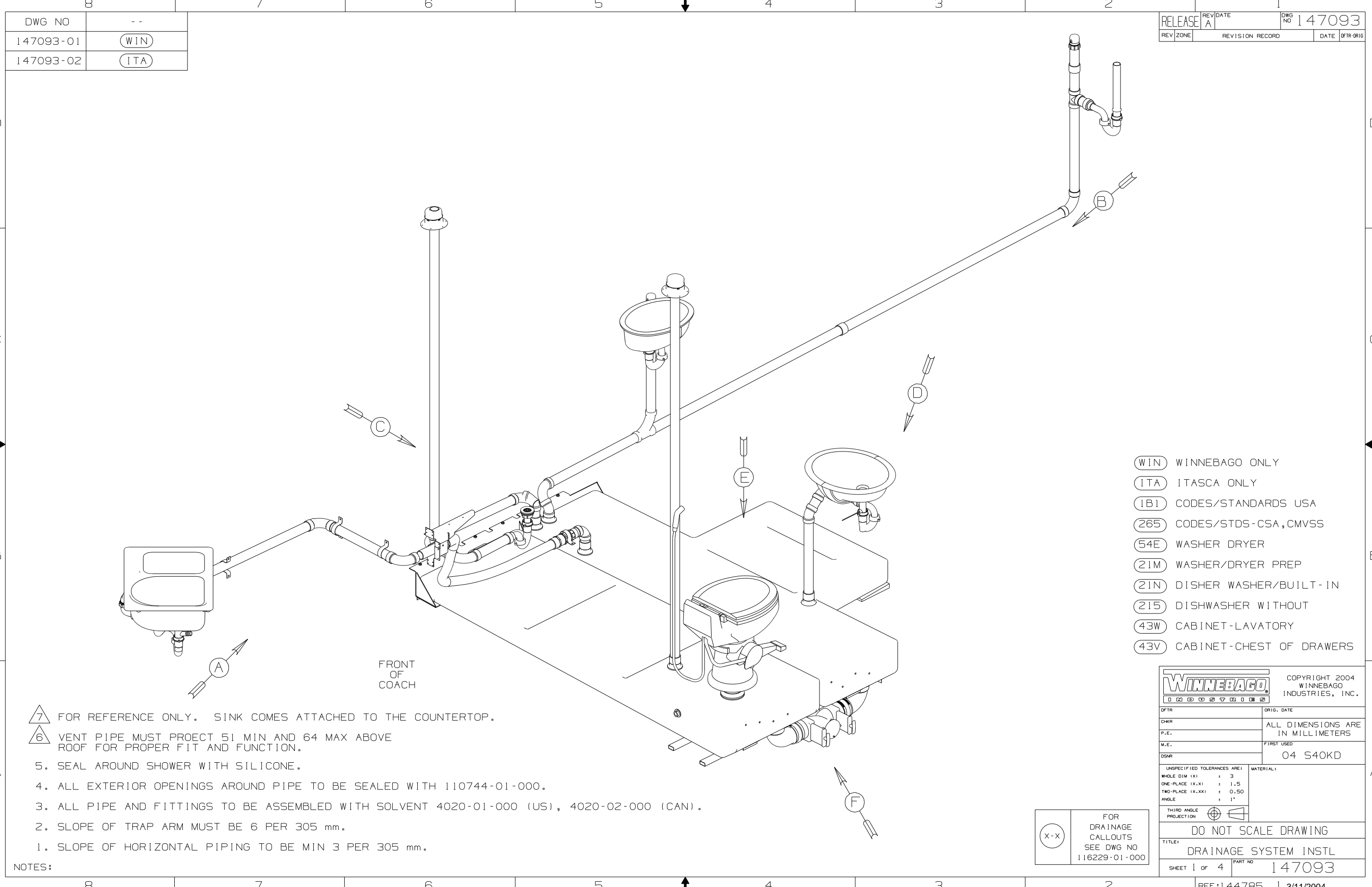


DWG NO	--
147093-01	(WIN)
147093-02	(ITA)

RELEASE	REV DATE	DWG NO
A		147093
REV ZONE	REVISION RECORD	DATE
		DFTR-0R16



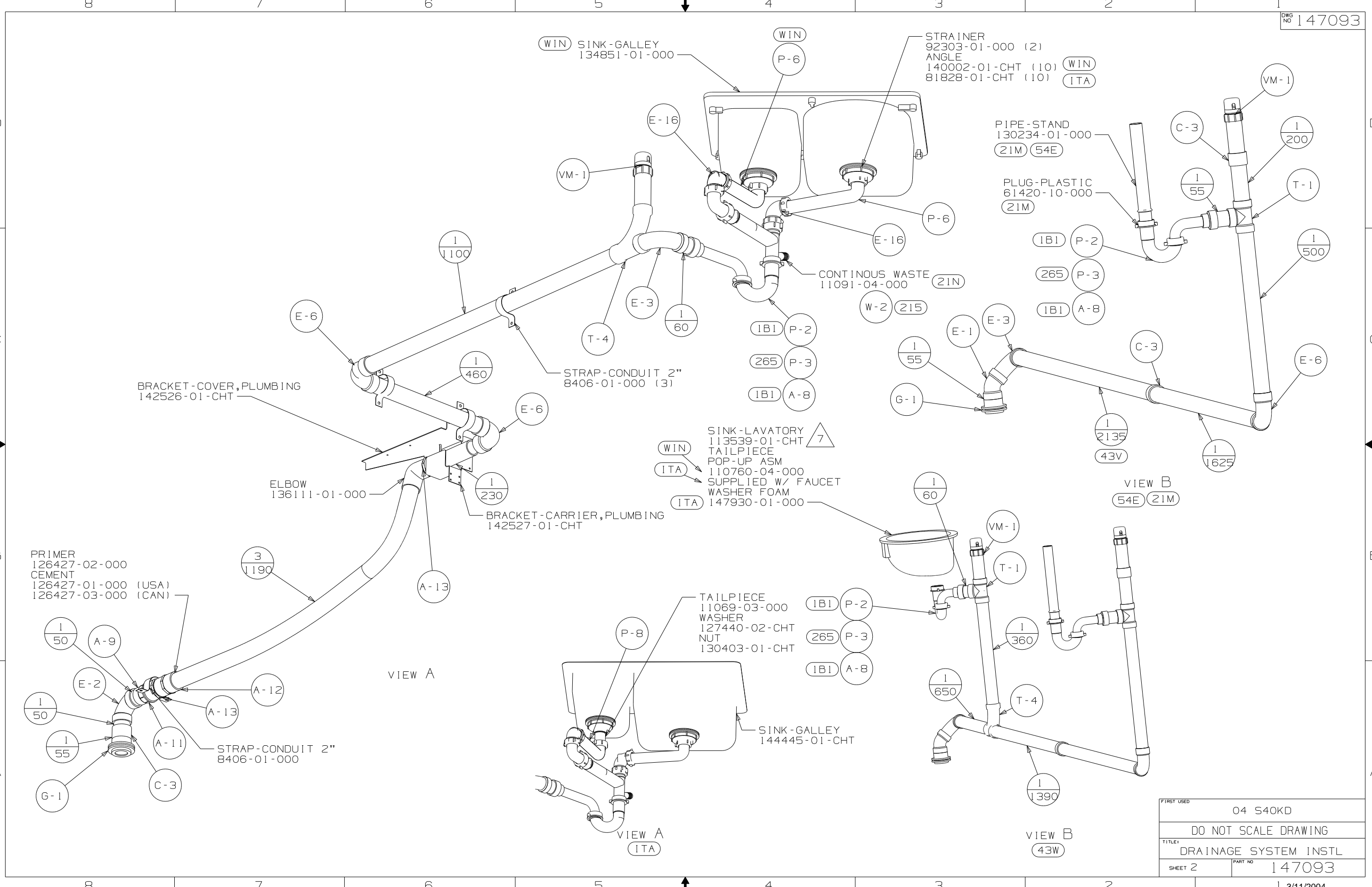
FRONT OF COACH

- NOTES:
- 7 FOR REFERENCE ONLY. SINK COMES ATTACHED TO THE COUNTERTOP.
 - 6 VENT PIPE MUST PROJECT 51 MIN AND 64 MAX ABOVE ROOF FOR PROPER FIT AND FUNCTION.
 - 5. SEAL AROUND SHOWER WITH SILICONE.
 - 4. ALL EXTERIOR OPENINGS AROUND PIPE TO BE SEALED WITH 110744-01-000.
 - 3. ALL PIPE AND FITTINGS TO BE ASSEMBLED WITH SOLVENT 4020-01-000 (US), 4020-02-000 (CAN).
 - 2. SLOPE OF TRAP ARM MUST BE 6 PER 305 mm.
 - 1. SLOPE OF HORIZONTAL PIPING TO BE MIN 3 PER 305 mm.

- (WIN) WINNEBAGO ONLY
- (ITA) ITASCA ONLY
- (IBI) CODES/STANDARDS USA
- (265) CODES/STDS-CSA, CMVSS
- (54E) WASHER DRYER
- (21M) WASHER/DRYER PREP
- (21N) DISHER WASHER/BUILT-IN
- (215) DISHWASHER WITHOUT
- (43W) CABINET-LAVATORY
- (43V) CABINET-CHEST OF DRAWERS

(X-X)
FOR DRAINAGE CALLOUTS SEE DWG NO 116229-01-000

WINNEBAGO		COPYRIGHT 2004 WINNEBAGO INDUSTRIES, INC.	
DFTR	ORIG. DATE		
CHKR	ALL DIMENSIONS ARE IN MILLIMETERS		
P.E.			
M.E.	FIRST USED		
DSNR	04 S40KD		
UNSPECIFIED TOLERANCES ARE:		MATERIAL:	
WHOLE DIM (X)	: 3		
ONE-PLACE (X.X)	: 1.5		
TWO-PLACE (X.XX)	: 0.50		
ANGLE	: 1°		
THIRD ANGLE PROJECTION			
DO NOT SCALE DRAWING			
TITLE: DRAINAGE SYSTEM INSTL			
SHEET 1 OF 4	PART NO	147093	



BRACKET-COVER, PLUMBING
142526-01-CHT

ELBOW
136111-01-000

STRAP-CONDUIT 2"
8406-01-000 (3)

BRACKET-CARRIER, PLUMBING
142527-01-CHT

PRIMER
126427-02-000
CEMENT
126427-01-000 (USA)
126427-03-000 (CAN)

STRAP-CONDUIT 2"
8406-01-000

SINK-LAVATORY
113539-01-CHT
TAILPIECE
11069-03-000
POP-UP ASM
110760-04-000
SUPPLIED W/ FAUCET
WASHER FOAM
147930-01-000

TAILPIECE
11069-03-000
WASHER
127440-02-CHT
NUT
130403-01-CHT

STRAINER
92303-01-000 (2)
ANGLE
140002-01-CHT (10)
81828-01-CHT (10)

PIPE-STAND
130234-01-000
(21M) (54E)

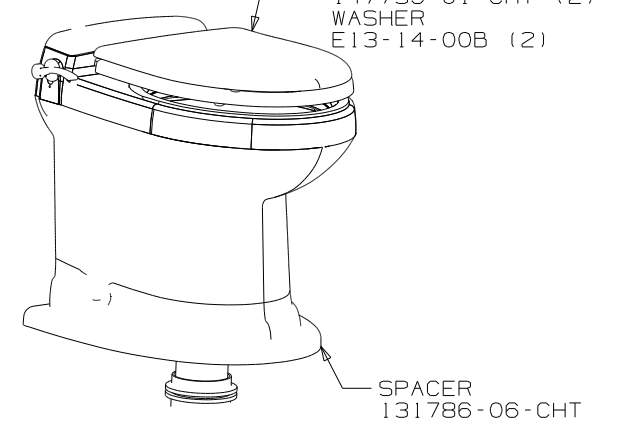
PLUG-PLASTIC
61420-10-000
(21M)

(1B1) P-2
(265) P-3
(1B1) A-8

(1B1) P-2
(265) P-3
(1B1) A-8

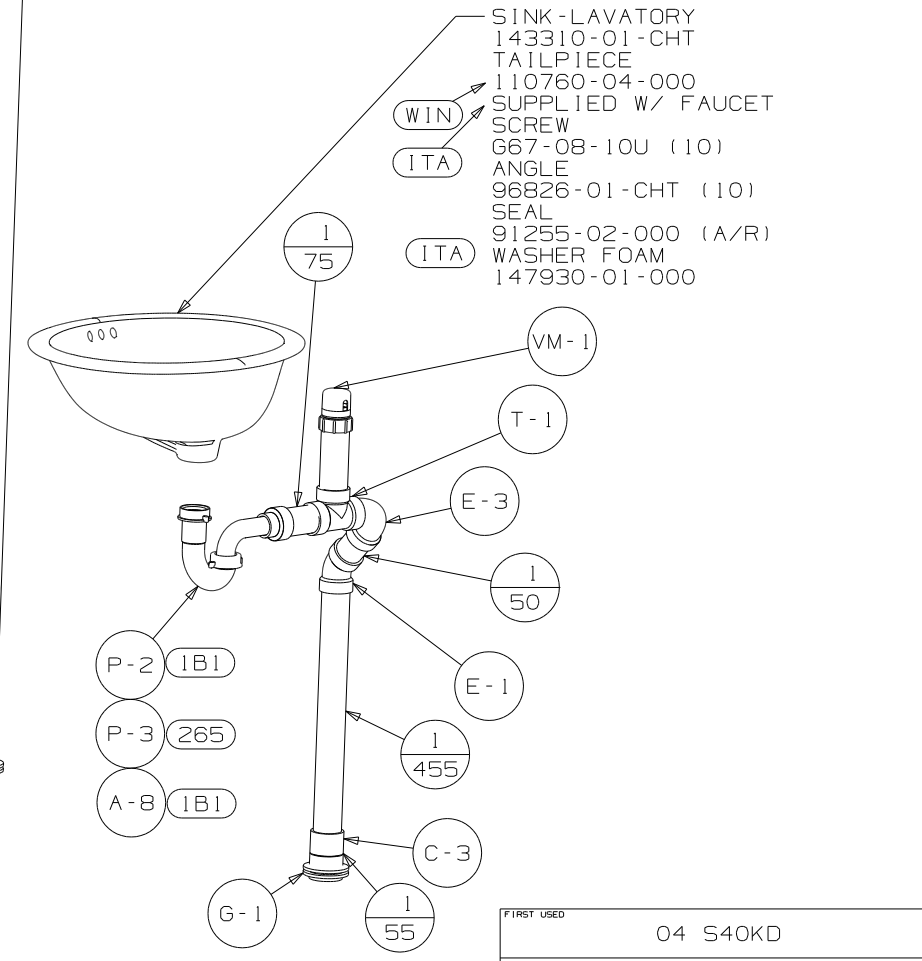
FIRST USED	04 S40KD
TITLE	DO NOT SCALE DRAWING
TITLE	DRAINAGE SYSTEM INSTL
SHEET 2	PART NO 147093

- TOILET 146770-01-000
- SCREW 87721-01-000 (8)
- BOLT-LAG G45-04-56F (2)
- CAP DOME 147759-01-CHT (2)
- WASHER E13-14-00B (2)



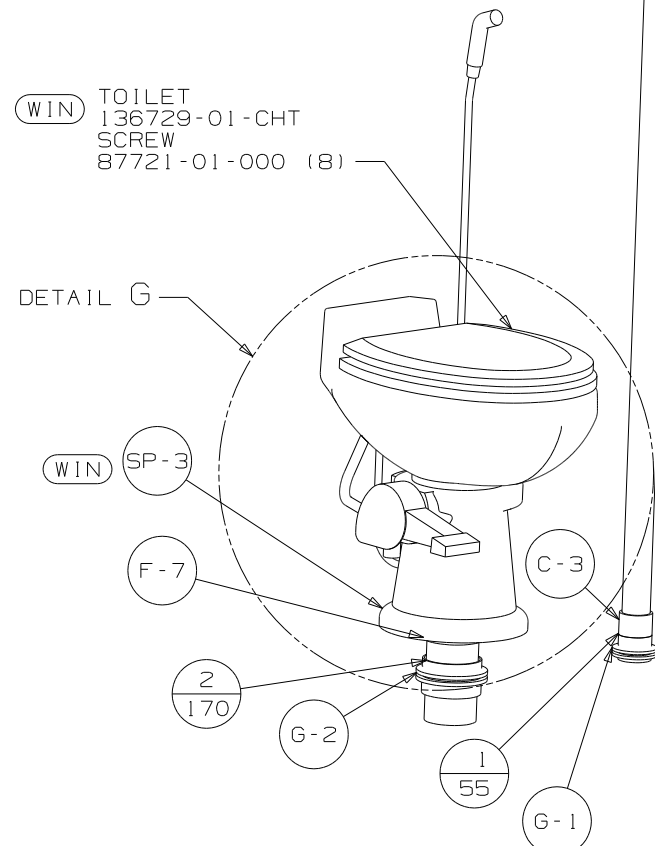
DETAIL G
ITA

- SINK-LAVATORY 143310-01-CHT
- TAILPIECE 110760-04-000
- SUPPLIED W/ FAUCET SCREW 667-08-10U (10)
- ANGLE 96826-01-CHT (10)
- SEAL 91255-02-000 (A/R)
- WASHER FOAM 147930-01-000

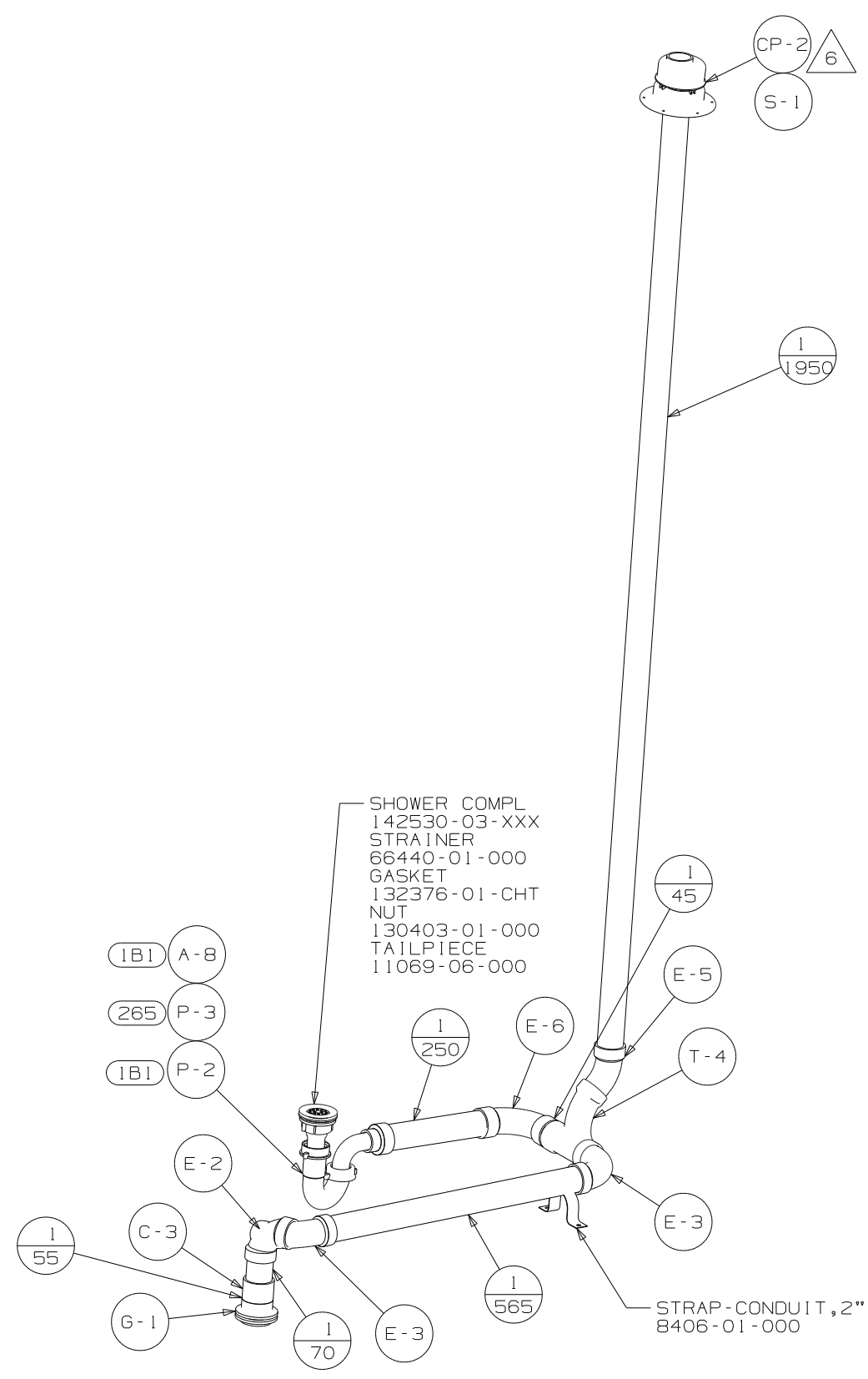


VIEW D

- TOILET 136729-01-CHT
- SCREW 87721-01-000 (8)



DETAIL G

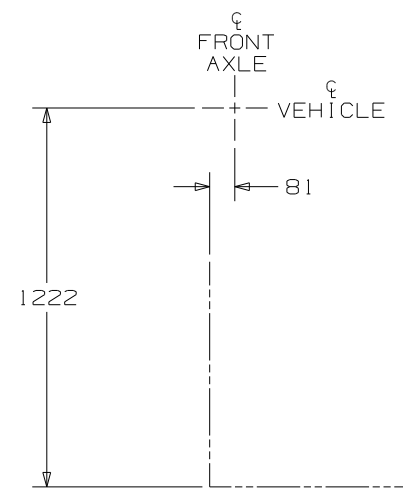


VIEW C

- SHOWER COMPL 142530-03-XXX
- STRAINER 66440-01-000
- GASKET 132376-01-CHT
- NUT 130403-01-000
- TAILPIECE 11069-06-000

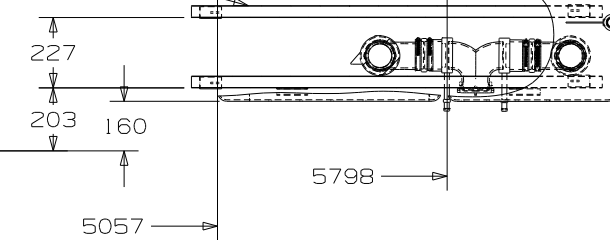
STRAP-CONDUIT, 2"
8406-01-000

FIRST USED	04 S40KD
TITLE	DO NOT SCALE DRAWING
SHEET 3	PART NO 147093
1 3/11/2004	

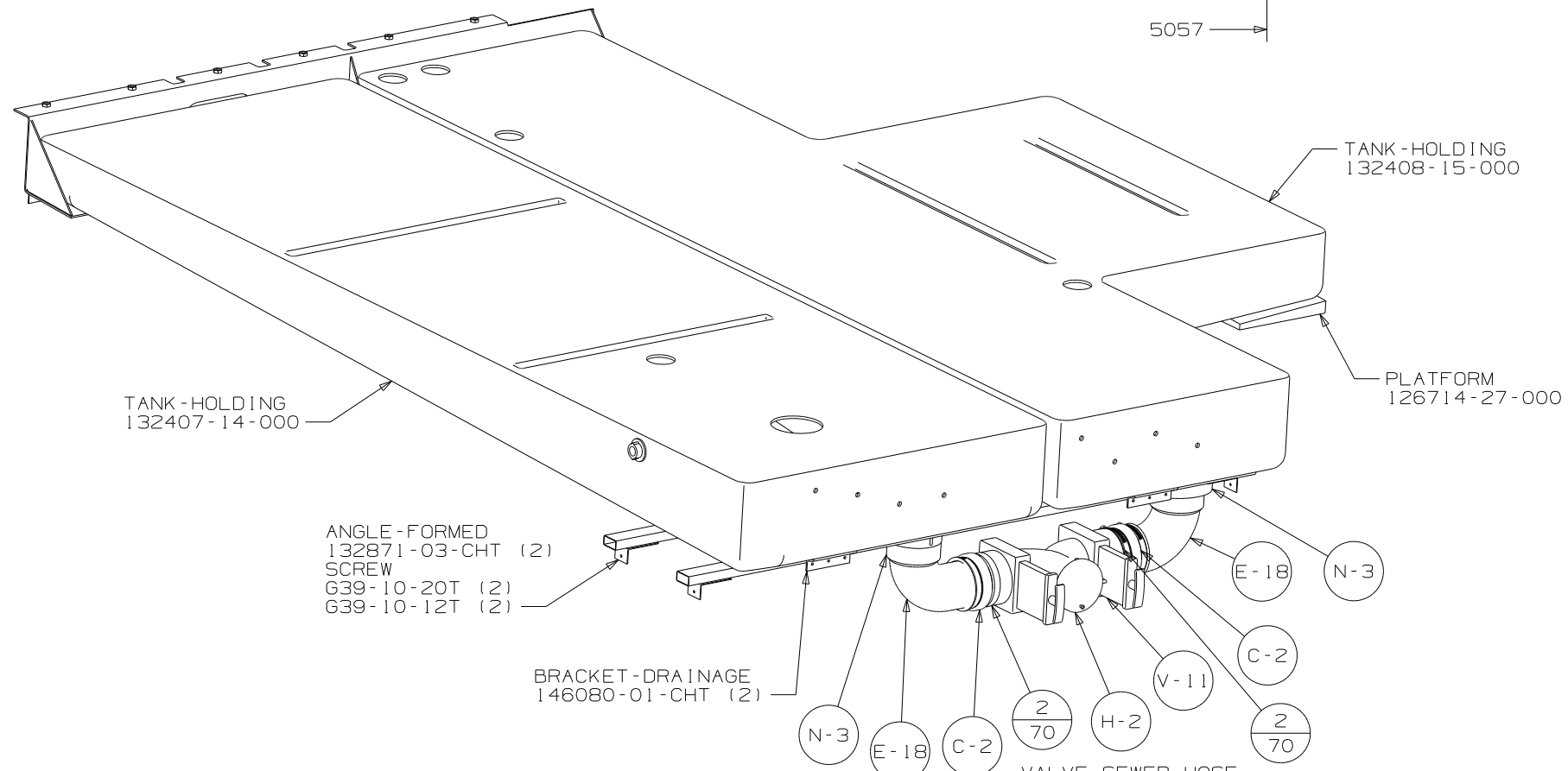


BRACKET
145872-01-CHT
BOLT
C26-05-12B (6)

SUPPORT ASM-HOLDING TANK
133839-03-CHT (2)
SCREW
G39-10-20T (2)



VIEW E

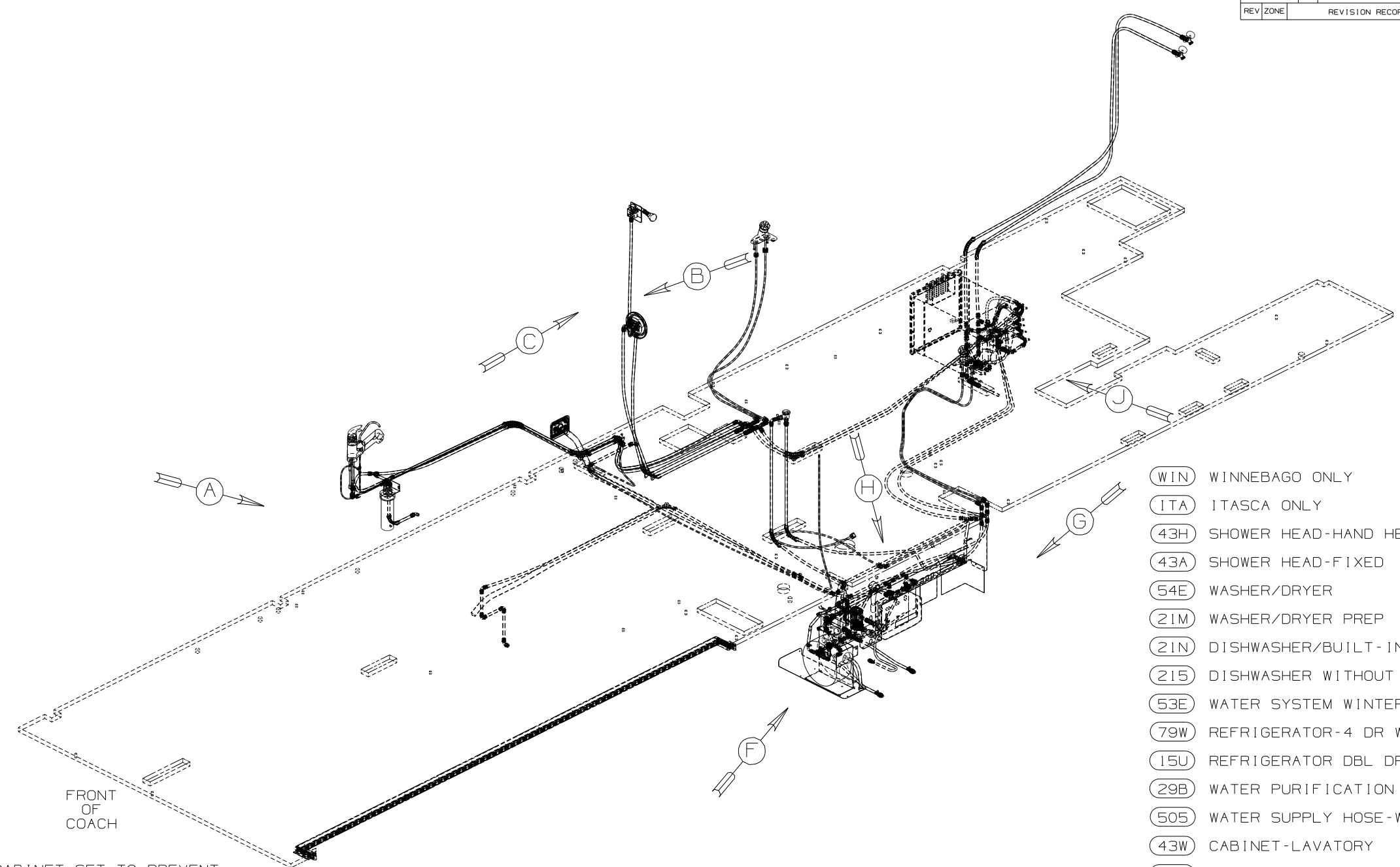


VIEW F

FIRST USED	04 S40KD
DO NOT SCALE DRAWING	
TITLE	DRAINAGE SYSTEM INSTL
SHEET 4	PART NO 147093

DWG NO	----
147094-01	(WIN)
147094-02	(ITA)

RELEASE	REV DATE	DWG NO
A		147094
REV ZONE	REVISION RECORD	DATE
		DFTR-016

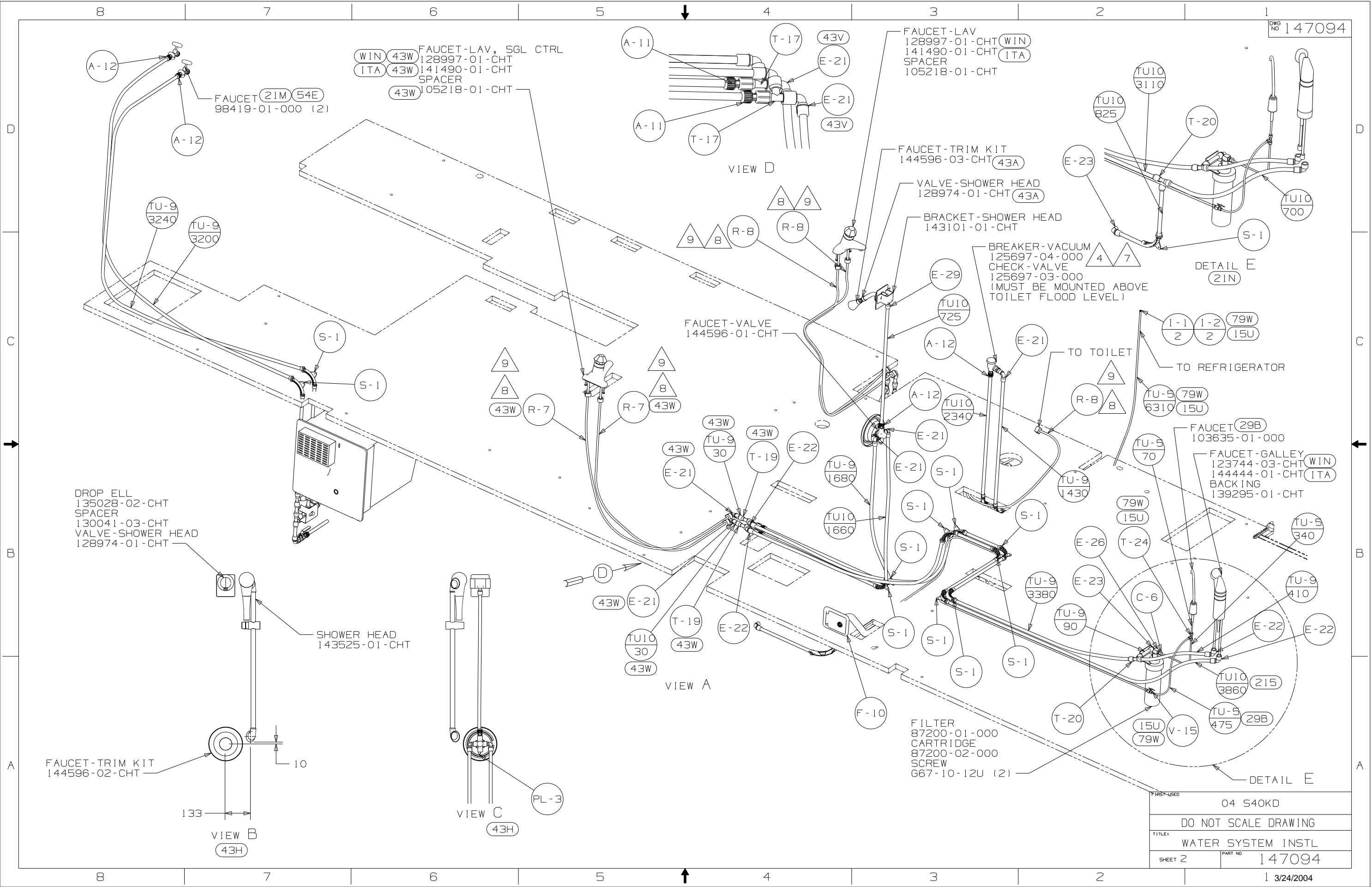


- (WIN) WINNEBAGO ONLY
- (ITA) ITASCA ONLY
- (43H) SHOWER HEAD-HAND HELD
- (43A) SHOWER HEAD-FIXED
- (54E) WASHER/DRYER
- (21M) WASHER/DRYER PREP
- (21N) DISHWASHER/BUILT-IN
- (215) DISHWASHER WITHOUT
- (53E) WATER SYSTEM WINTERIZATION PKG
- (79W) REFRIGERATOR-4 DR W/ICEMAKER
- (15U) REFRIGERATOR DBL DR W/ICEMAKER
- (29B) WATER PURIFICATION SYSTEM
- (505) WATER SUPPLY HOSE-W/REEL
- (43W) CABINET-LAVATORY
- (43V) CABINET-CHEST OF DRAWERS

- NOTES:
- 9 TAPE FITTING TO TUBE BEFORE CABINET SET TO PREVENT FITTING FROM MOVING.
 - 8 LABEL HOT AND COLD SUPPLY TUBES.
 - 7 ADD TEFLON TAPE 10405-03-000.
 - 6 ADD TEFLON TAPE 10405-01-000.
 - 5 ADD TEFLON TAPE 10405-02-000.
 - 4 FLUSHING SYSTEM REQUIRES 125697-06-000 INSTRUCTION SHEET.
3. ALL TUBING TO BE SECURED AT 1200 INTERVALS MAXIMUM WITH CLAMP 10495-01-000 OR CLIP 9151-01-000 AND SCREW G67-10-12B.
 2. TUBING TO BE INSTALLED WITH SUFFICIEND SLOPE TO PROVIDE DRAINAGE TO NEAREST VALVE.
 1. PLASTIC FITTINGS TO BE SEALED WITH SEALANT 84456-01-000.

(X-X)
FOR
WATER
CALLOUTS
SEE DWG NO
116230-01-000

WINNEBAGO		COPYRIGHT 2004 WINNEBAGO INDUSTRIES, INC.	
DFTR	ORIG. DATE	ALL DIMENSIONS ARE IN MILLIMETERS	
CHKR		FIRST USED	
P.E.		04 S40KD	
M.E.		UNSPECIFIED TOLERANCES ARE:	
DSNR		MATERIAL:	
		WHOLE DIM (X)	: 3
		ONE-PLACE (X.X)	: 1.5
		TWO-PLACE (X.XX)	: 0.50
		ANGLE	: 1°
THIRD ANGLE PROJECTION		DO NOT SCALE DRAWING	
TITLE: WATER SYSTEM INSTL			
SHEET 1 OF 4		PART NO 147094	



WIN 43W FAUCET-LAV, SGL CTRL
 128997-01-CHT
 ITA 43W 141490-01-CHT
 SPACER
 43W 105218-01-CHT

FAUCET-LAV
 128997-01-CHT
 141490-01-CHT
 SPACER
 105218-01-CHT

FAUCET-TRIM KIT
 144596-03-CHT

VALVE-SHOWER HEAD
 128974-01-CHT

BRACKET-SHOWER HEAD
 143101-01-CHT

BREAKER-VACUUM
 125697-04-000
 CHECK-VALVE
 125697-03-000
 (MUST BE MOUNTED ABOVE
 TOILET FLOOD LEVEL)

FAUCET-VALVE
 144596-01-CHT

DETAIL E
 21N

DROP ELL
 135028-02-CHT
 SPACER
 130041-03-CHT
 VALVE-SHOWER HEAD
 128974-01-CHT

SHOWER HEAD
 143525-01-CHT

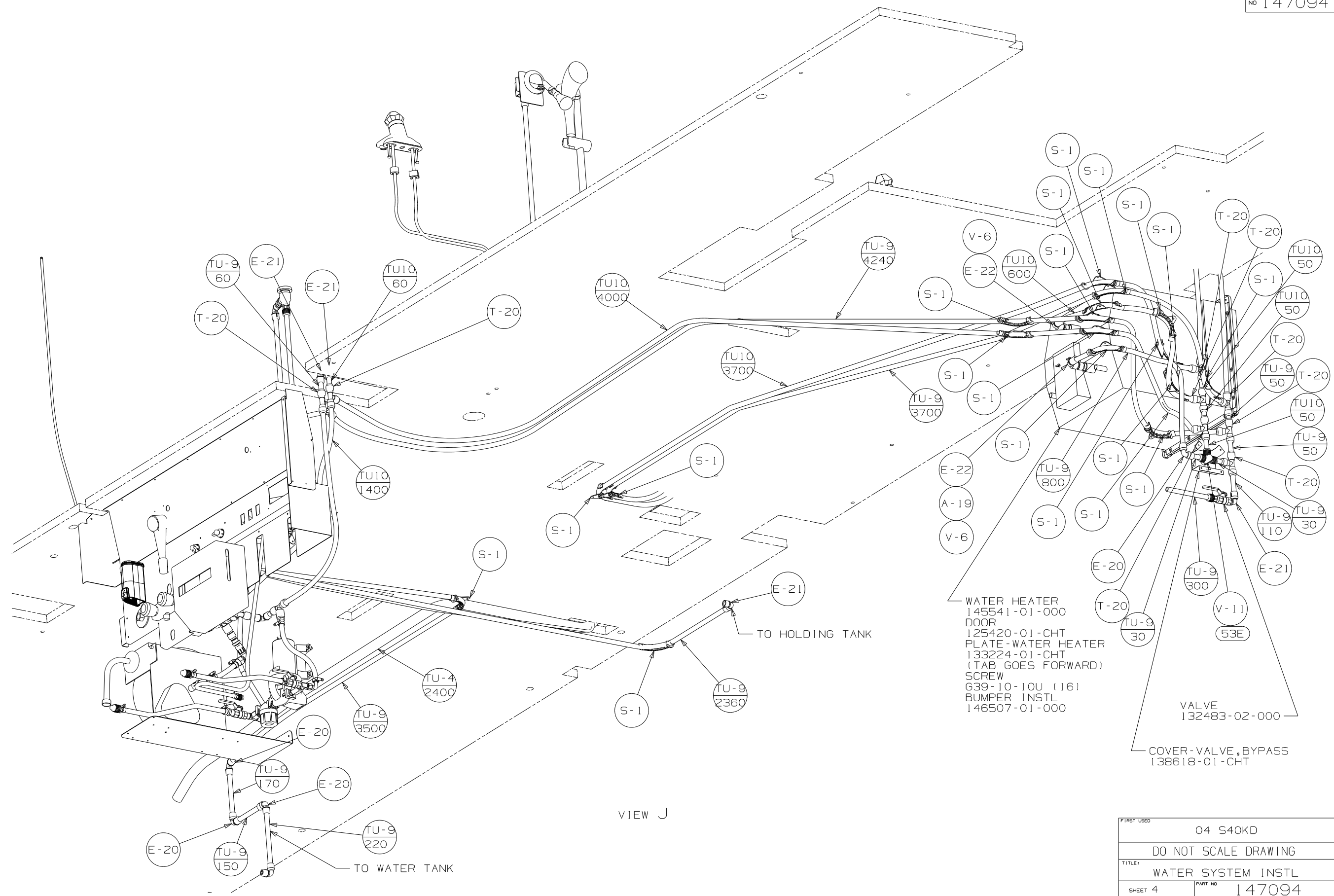
FAUCET 29B
 103635-01-000

FAUCET-GALLEY
 123744-03-CHT
 144444-01-CHT
 BACKING
 139295-01-CHT

FILTER
 87200-01-000
 CARTRIDGE
 87200-02-000
 SCREW
 667-10-12U (2)

FAUCET-TRIM KIT
 144596-02-CHT

FIRST-USED		04 S40KD	
DO NOT SCALE DRAWING			
TITLE: WATER SYSTEM INSTL			
SHEET 2	PART NO	147094	



VIEW J

FIRST USED	04 S40KD
TITLE	DO NOT SCALE DRAWING
SHEET 4	PART NO 147094
	1 3/24/2004