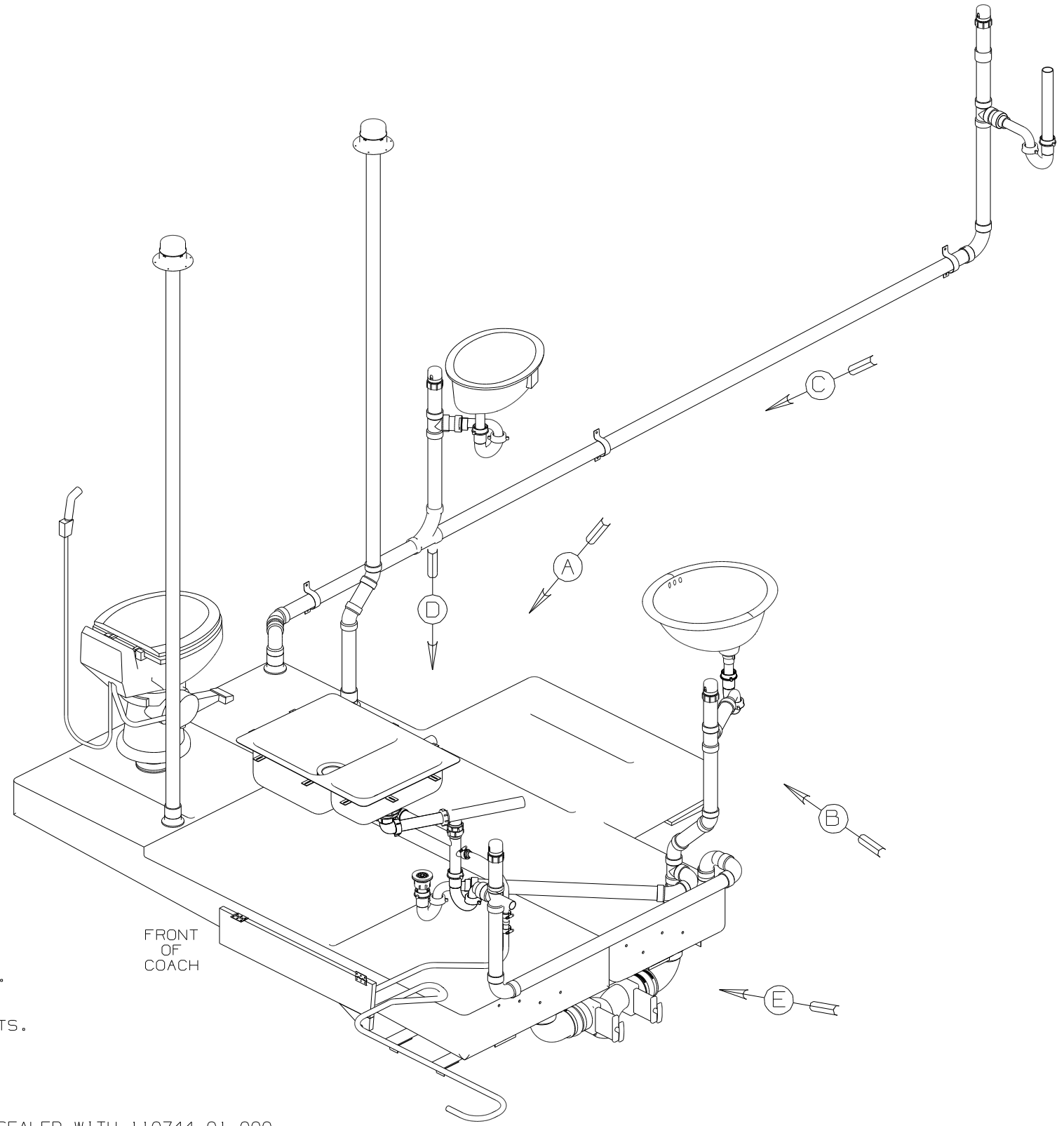


DWG NO	----
145123-01	(WIN)
145123-02	(ITA)

RELEASE	REV DATE	DWG NO	145123
REV ZONE	REVISION RECORD	DATE	DFTR-ORIG



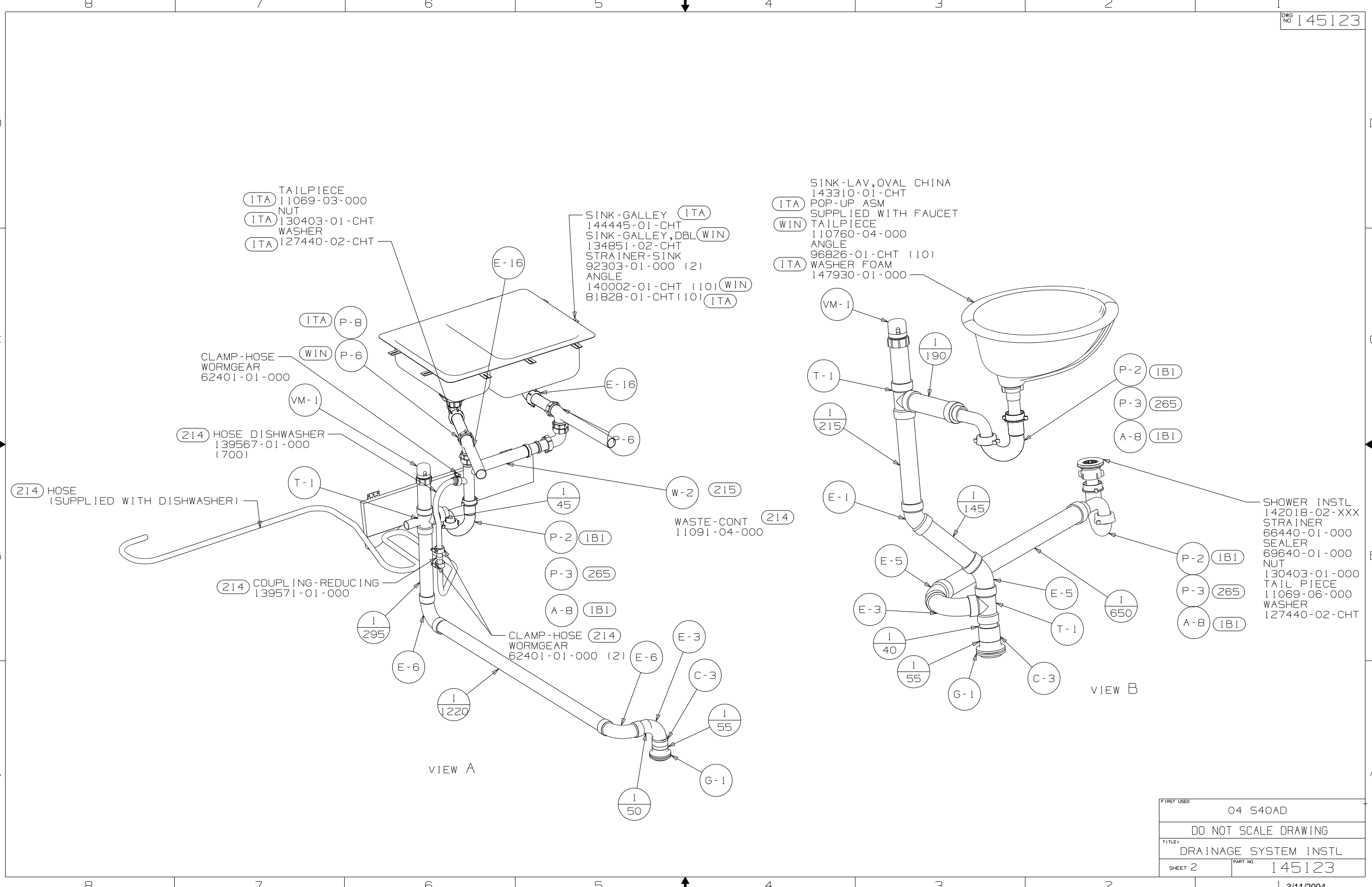
- (WIN) WINNEBAGO ONLY
- (ITA) ITASCA ONLY
- (1B1) CODES/STANDARDS-USA
- (265) CODES/STDS-CSA/CMVSS
- (54E) WASHER/DRYER
- (21M) WASHER/DRYER PREP
- (43M) TOILET PORCELAIN-ELONGATED
- (430) TOILET-PORCELAIN
- (54U) FLOOR/BATH-CERAMIC TILE
- (214) DISHWASHER DRAWER STYLE
- (215) DISHWASHER WITHOUT
- (43V) CABINET-CHEST OF DRAWERS
- (43W) CABINET-LAVATORY

- 9. SINK IS SUPPLIED WITH COUNTERTOP.
- 8. VENT PIPE MUST PROJECT 51 MIN AND 64 MAX. ABOVE ROOF FOR PROPER FIT AND FUNCTION.
- 7. SEE DWG 61607-01-000 FOR INSTL OF GROMMETS.
- 6. SEAL ALL AROUND SHOWER WITH SILICONE.
- 5. SECURE VENT TUBES TO FLOOR WITH BRACKET.
- 4. ALL EXTERIOR OPENINGS AROUND PIPE TO BE SEALED WITH 110744-01-000.
- 3. ALL PIPE AND FITTINGS TO BE ASSEMBLED WITH SOLVENT 4020-01-000.
- 2. SLOPE OF TRAP ARM MUST BE 6 PER 305.
- 1. SLOPE OF HORIZONTAL PIPING TO BE 6 PER 305 mm.

NOTES:

(X-X)  
FOR  
DRAINAGE  
CALLOUTS  
SEE DWG NO  
116229-01-000

<b>WINNEBAGO</b>		COPYRIGHT 2004 WINNEBAGO INDUSTRIES, INC.	
DFTR	ORIG. DATE	ALL DIMENSIONS ARE IN MILLIMETERS	
CHKR		FIRST USED	
P.E.		04 S40AD	
M.E.		UNSPECIFIED TOLERANCES ARE:	
DSNR		MATERIAL:	
		WHOLE DIM (X)	: 3
		ONE-PLACE (X.X)	:
		TWO-PLACE (X.XX)	:
		ANGLE	:
		THIRD ANGLE PROJECTION	
DO NOT SCALE DRAWING			
TITLE: DRAINAGE SYSTEM INSTL			
SHEET 1 OF 4	PART NO	145123	



(ITA) TAILPIECE  
 11069-03-000  
 (ITA) NUT  
 130403-01-CHT  
 (ITA) WASHER  
 127440-02-CHT

SINK-GALLEY (ITA)  
 144445-01-CHT  
 SINK-GALLEY, DBL (WIN)  
 134851-02-CHT  
 STRAINER-SINK  
 92303-01-000 (2)  
 ANGLE  
 140002-01-CHT (10) (WIN)  
 81828-01-CHT (10) (ITA)

SINK-LAV, OVAL CHINA  
 143310-01-CHT  
 (ITA) POP-UP ASM  
 SUPPLIED WITH FAUCET  
 (WIN) TAILPIECE  
 110760-04-000  
 ANGLE  
 96826-01-CHT (10)  
 (ITA) WASHER FOAM  
 147930-01-000

(ITA) P-8  
 (WIN) P-6  
 CLAMP-HOSE  
 WORMGEAR  
 62401-01-000  
 (214) HOSE DISHWASHER  
 139567-01-000  
 (700)

(214) HOSE (SUPPLIED WITH DISHWASHER)

(214) COUPLING-REDUCING 139571-01-000

CLAMP-HOSE (214)  
 WORMGEAR  
 62401-01-000 (2)

WASTE-CONT (214)  
 11091-04-000

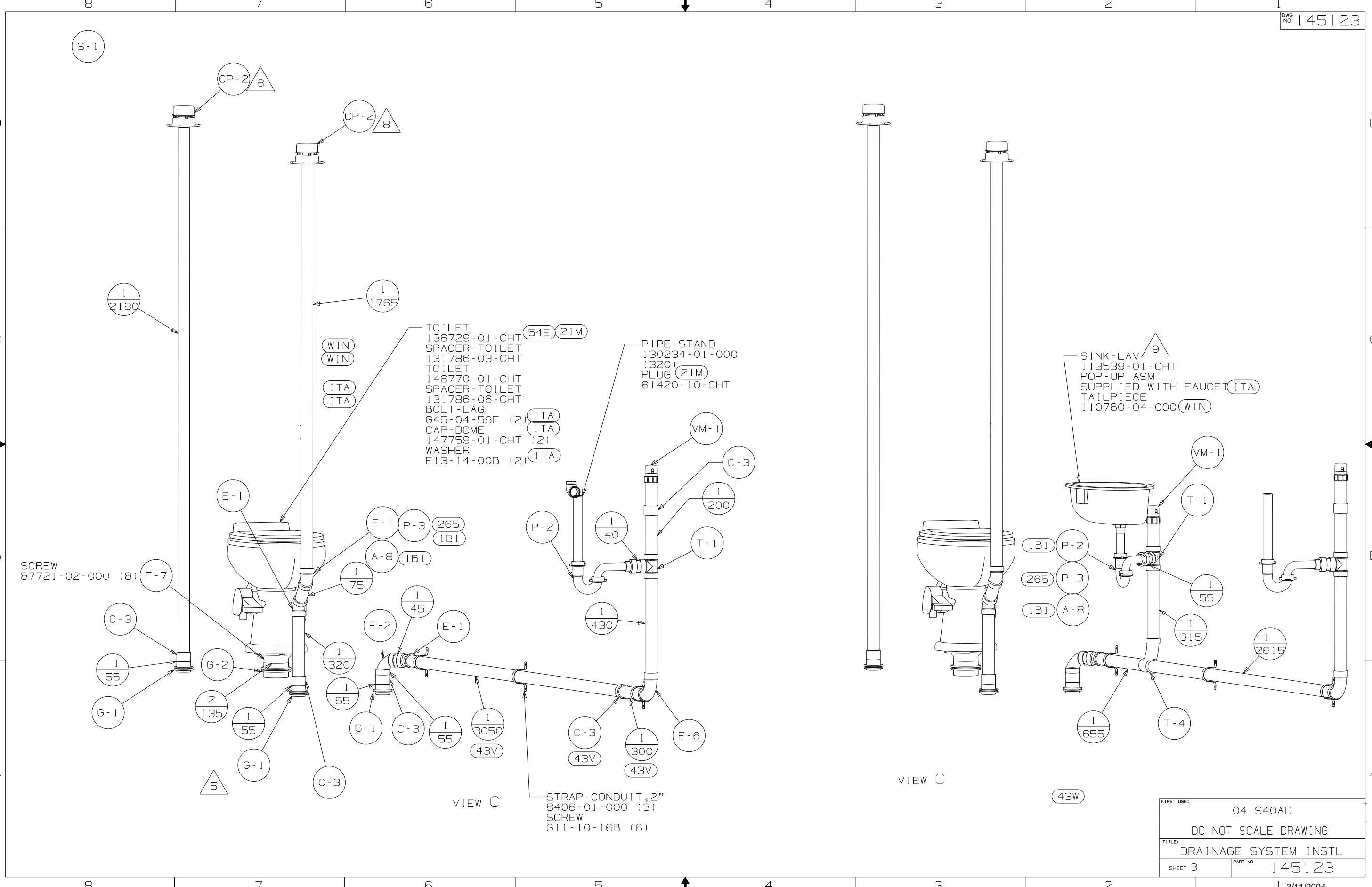
SHOWER INSTL  
 142018-02-XXX  
 STRAINER  
 66440-01-000  
 SEALER  
 69640-01-000  
 NUT  
 130403-01-000  
 TAIL PIECE  
 11069-06-000  
 WASHER  
 127440-02-CHT

VIEW A

VIEW B

FIRST USED	04 S40AD
DO NOT SCALE DRAWING	
TITLE:	DRAINAGE SYSTEM INSTL
SHEET 2	PART NO 145123

S-1



SCREW  
87721-02-000 (8)

TOILET  
 136729-01-CHT (54E) (2IM)  
 SPACER-TOILET  
 131786-03-CHT  
 TOILET  
 146770-01-CHT  
 SPACER-TOILET  
 131786-06-CHT  
 BOLT-LAG  
 G45-04-56F (2) (ITA)  
 CAP-DOME  
 147759-01-CHT (2) (ITA)  
 WASHER  
 E13-14-00B (2) (ITA)

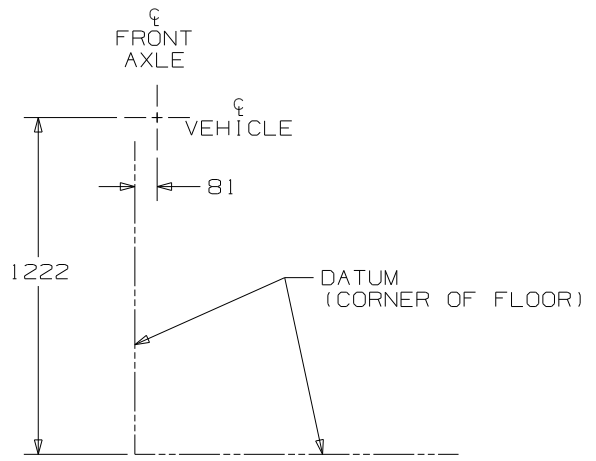
PIPE-STAND  
 130234-01-000 (320)  
 PLUG (2IM)  
 61420-10-CHT

SINK-LAV (9)  
 113539-01-CHT  
 POP-UP ASM  
 SUPPLIED WITH FAUCET (ITA)  
 TAILPIECE  
 110760-04-000 (WIN)

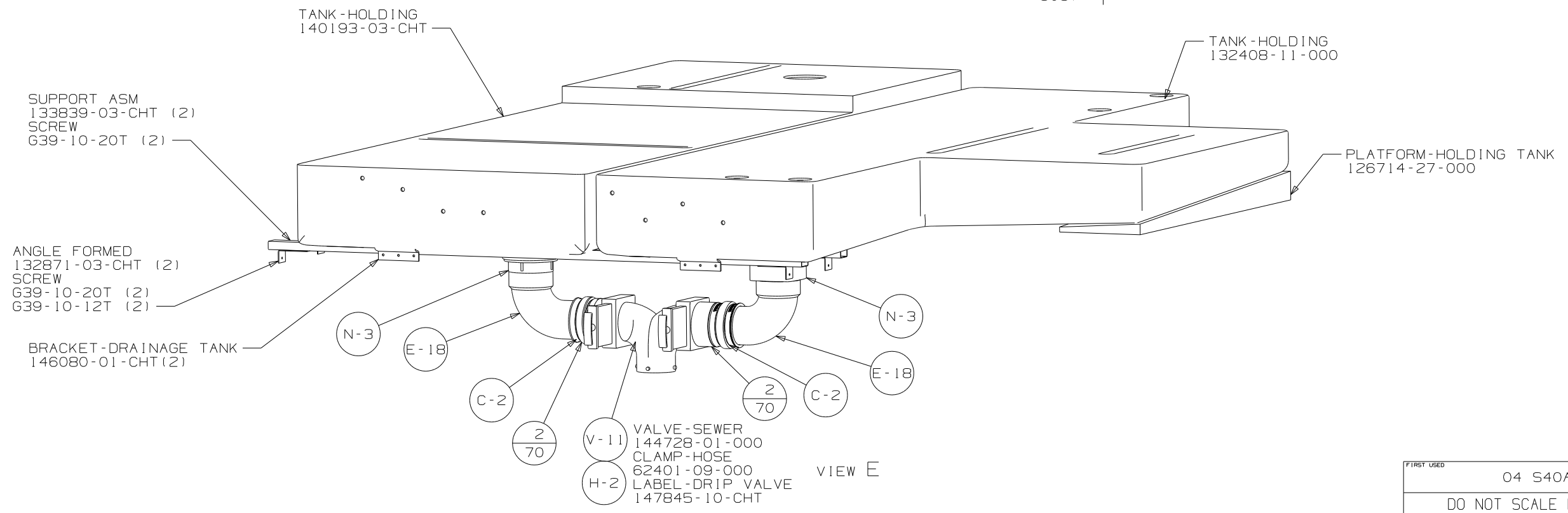
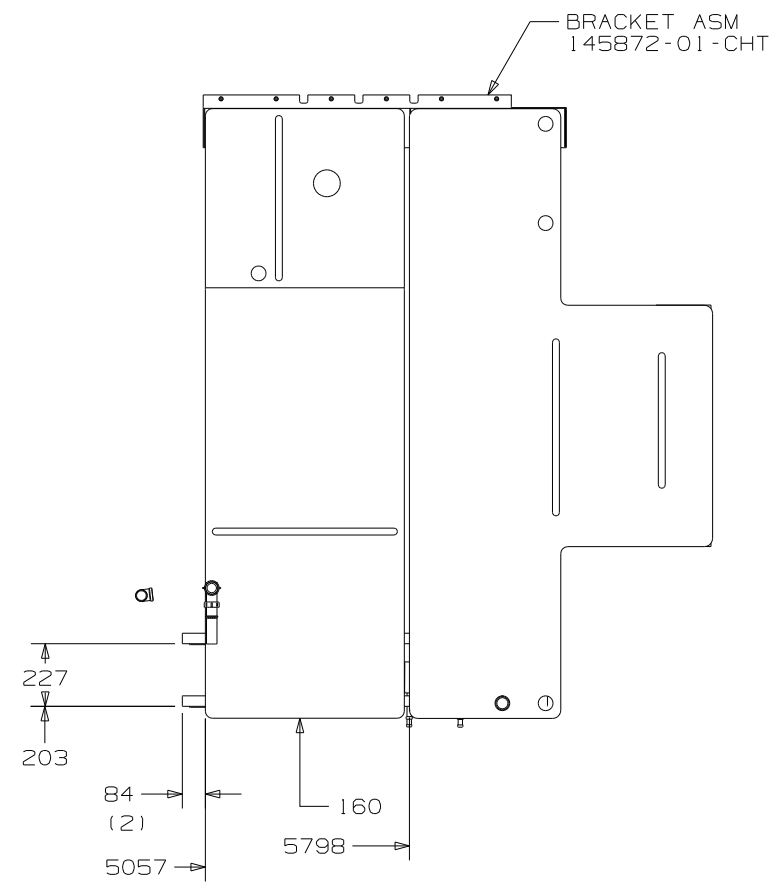
VIEW C  
 STRAP-CONDUIT, 2"  
 8406-01-000 (3)  
 SCREW  
 611-10-16B (6)

VIEW C

FIRST USED	04 S40AD
DO NOT SCALE DRAWING	
TITLE	DRAINAGE SYSTEM INSTL
SHEET 3	PART NO 145123



VIEW D

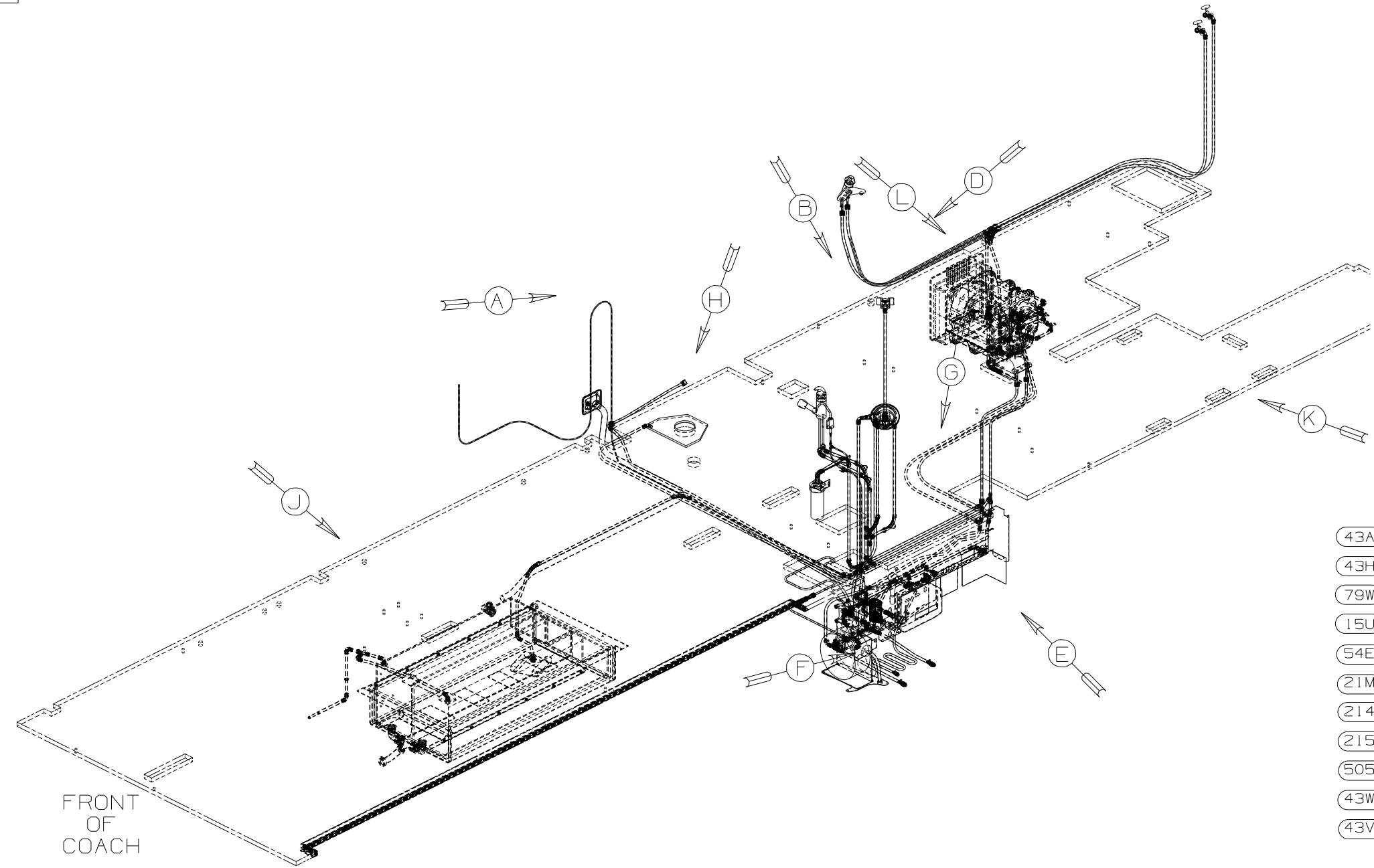


VIEW E

FIRST USED	04 S40AD
TITLE	DO NOT SCALE DRAWING
SHEET 4	PART NO 145123
1 3/11/2004	

DWG NO	----
145124-01	(WIN)
145124-02	(ITA)

RELEASE	REV DATE	DWG NO	145124
REV ZONE	REVISION RECORD	DATE	DTR-ORIG



- (43A) SHOWER HEAD-FIXED
- (43H) SHOWER HEAD-HAND HELD
- (79W) REFRIGERATOR-4 DOOR
- (15U) REFRIGERATOR/FRZR W-ICEMAKER
- (54E) WASHER/DRYER
- (21M) WASHER/DRYER PREP
- (214) DISHWASHER-DRAWER STYLE
- (215) DISHWASHER WITHOUT
- (505) HOSE REEL-WATER,POWERED
- (43W) CABINET-LAVATORY
- (43V) CABINET-CHEST OF DRAWERS

- 7 ADD TEFLON TAPE 10405-02-000.
- 6 ADD TEFLON TAPE 10405-01-000.
- 5 ADD TEFLON TAPE 10405-03-000.
- 4 FLUSHING SYSTEM REQUIRES 125697-06-000 INSTRUCTION SHEET.

- 3. ALL TUBING TO BE SECURED AT 1200 INTERVALS MAXIMUM WITH CLAMP 10495-01-000 OR CLIP 91951-01-000 AND SCREW G67-10-12B.
- 2. TUBING TO BE INSTALLED WITH SUFFICIENT SLOPE TO PROVIDE DRAINAGE TO NEAREST VALVE.
- 1. PLASTIC FITTINGS TO BE SEALED WITH SEALANT 84456-01-000.

NOTES:

(X-X)  
FOR  
WATER  
CALLOUTS  
SEE DWG NO  
116230-01-000

<b>WINNEBAGO</b>		COPYRIGHT 2004 WINNEBAGO INDUSTRIES, INC.	
DTR	ORIG. DATE	ALL DIMENSIONS ARE IN MILLIMETERS	
CHKR		FIRST USED	
P.E.		04 S40AD	
M.E.		UNSPECIFIED TOLERANCES ARE:	
DSNR		MATERIAL:	
		WHOLE DIM (X)	: 7
		ONE-PLACE (X.X)	:
		TWO-PLACE (X.XX)	:
		ANGLE	:
THIRD ANGLE PROJECTION		DO NOT SCALE DRAWING	
TITLE: WATER SYSTEM INSTL			
SHEET 1 OF 4		PART NO 145124	

WIN FAUCET-GALLEY, SGL CONT  
123744-03-CHT  
ITA 144444-01-CHT  
BACKING  
WIN 139295-01-CHT  
ITA 137079-03-CHT

FAUCET  
103635-01-000

BRACKET  
143101-01-CHT

43A VALVE-SHOWER  
128974-01-CHT

BREAKER-VACUUM  
125697-04-000  
CHECK VALVE  
125697-03-000

FILTER  
87200-01-000  
CARTRIDGE  
87200-02-000  
SCREW  
667-10-12U (2)

43A FAUCET-TRIM KIT  
144596-01-CHT  
144596-03-CHT

PLUG-BRASS  
145609-01-000

WIN FAUCET-LAV, SGL CTRL, POL BRAS  
128997-01-CHT  
ITA 141490-01-CHT  
SPACER  
105218-01-CHT

FAUCET-LAV, SGL CTRL, POL BRAS  
128997-01-CHT  
141490-01-CHT  
SPACER  
105218-01-CHT

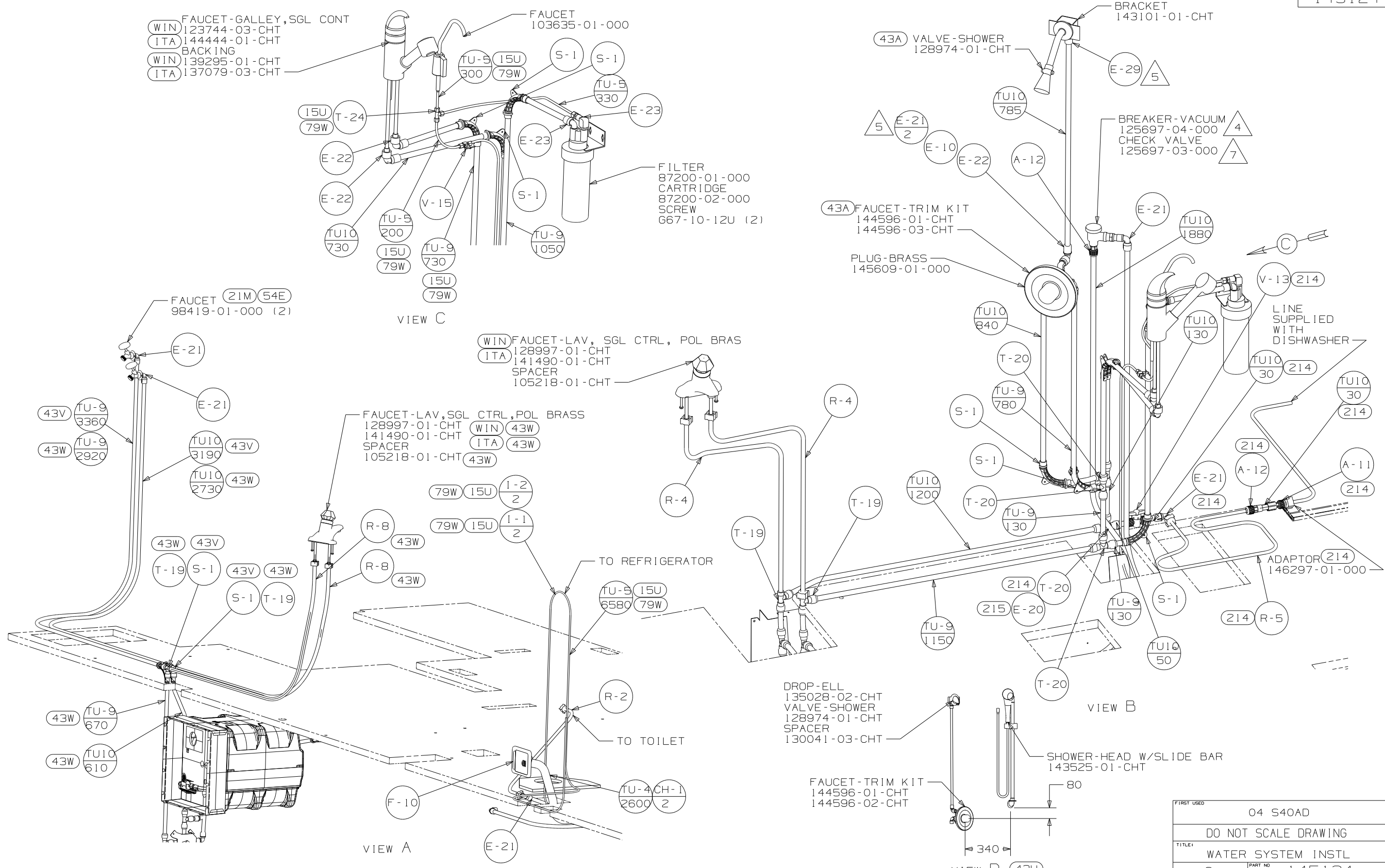
FAUCET 21M 54E  
98419-01-000 (2)

DROP-ELL  
135028-02-CHT  
VALVE-SHOWER  
128974-01-CHT  
SPACER  
130041-03-CHT

FAUCET-TRIM KIT  
144596-01-CHT  
144596-02-CHT

SHOWER-HEAD W/SLIDE BAR  
143525-01-CHT

FIRST USED	04 S40AD
TITLE	DO NOT SCALE DRAWING
TITLE	WATER SYSTEM INSTL
SHEET 2	PART NO 145124

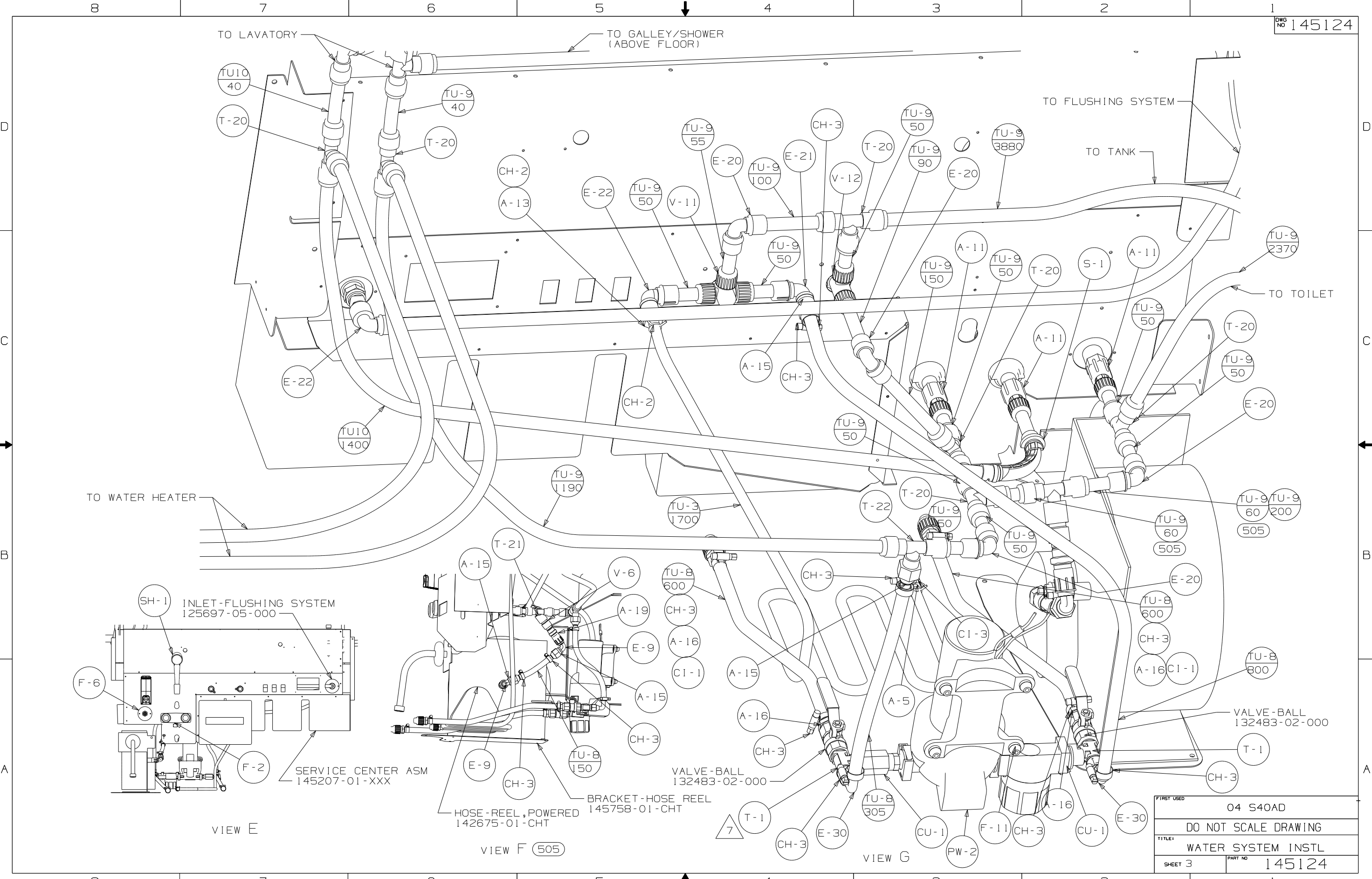


VIEW C

VIEW B

VIEW A

VIEW D 43H



TO LAVATORY

TO GALLEY/SHOWER (ABOVE FLOOR)

TO FLUSHING SYSTEM

TO TANK

TO TOILET

TO WATER HEATER

INLET-FLUSHING SYSTEM  
125697-05-000

SERVICE CENTER ASM  
145207-01-XXX

HOSE-REEL, POWERED  
142675-01-CHT

BRACKET-HOSE REEL  
145758-01-CHT

VALVE-BALL  
132483-02-000

VALVE-BALL  
132483-02-000

VIEW E

VIEW F (505)

VIEW G

TU-10 40

T-20

TU-9 40

CH-2

A-13

E-22

TU-9 55

V-11

E-20

TU-9 100

E-21

CH-3

V-12

T-20

TU-9 50

TU-9 90

E-20

TU-9 3880

TU-9 2370

A-11

TU-9 150

TU-9 50

T-20

S-1

A-11

TU-9 50

TU-9 50

TU-9 50

E-20

TU-9 1400

CH-2

TU-9 1190

TU-3 1700

T-22

T-20

TU-9 50

TU-9 60

TU-9 505

TU-9 60

TU-9 505

505

TU-9 505

TU-8 600

CH-3

A-15

T-21

A-19

V-6

A-16

E-9

CI-1

A-15

CH-3

TU-8 150

CH-3

CH-3

A-15

A-16

CH-3

A-5

CI-3

A-16

CH-3

A-16

CI-1

TU-8 800

VALVE-BALL  
132483-02-000

T-1

CH-3

TU-8 305

E-30

CH-3

A-16

CU-1

PW-2

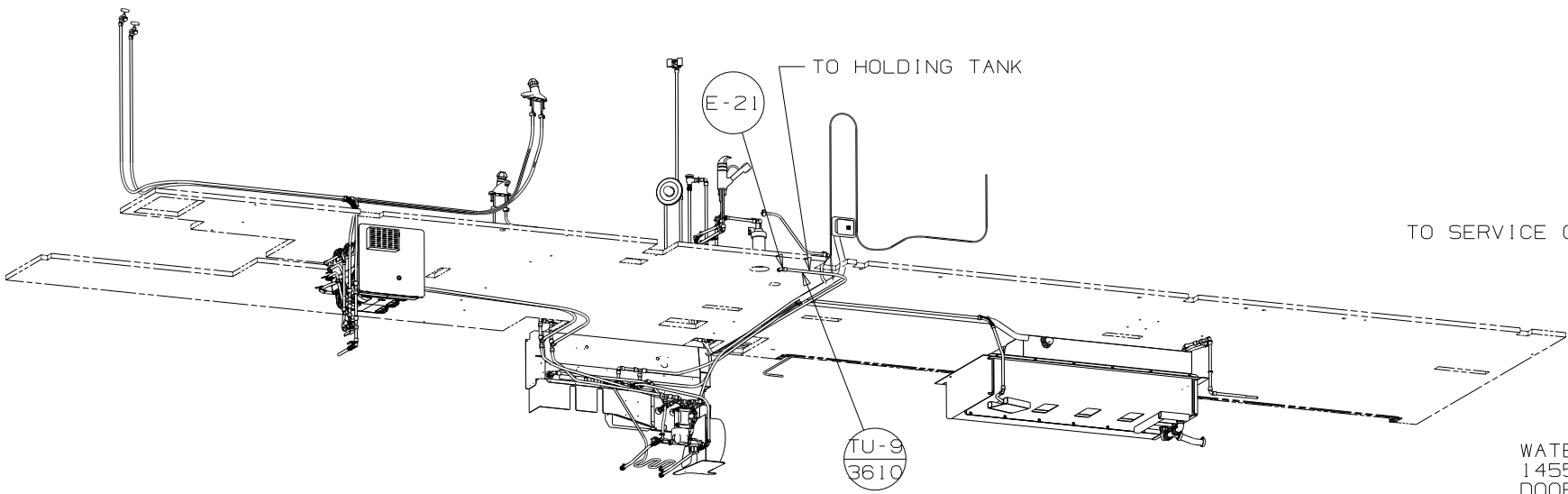
F-11

CH-3

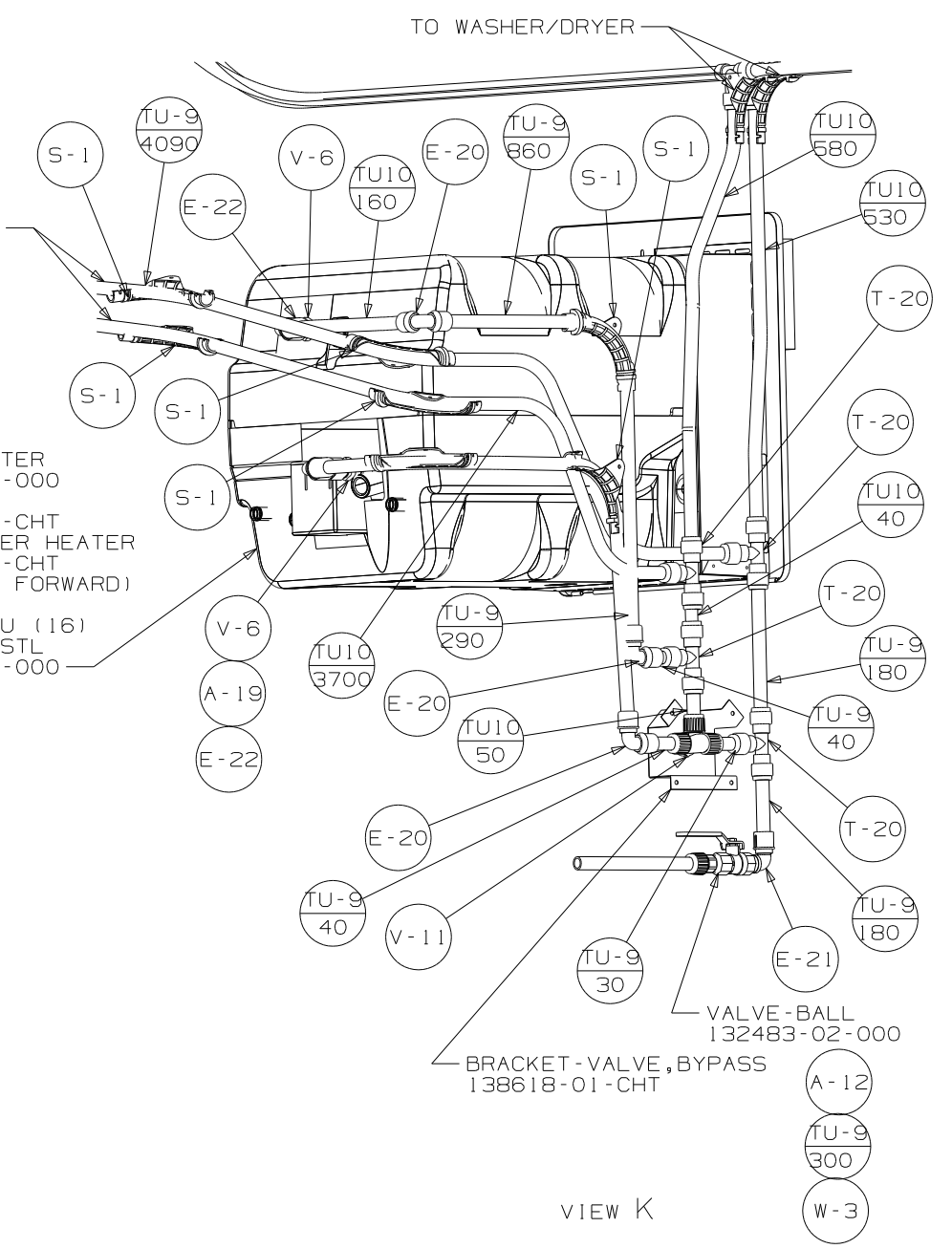
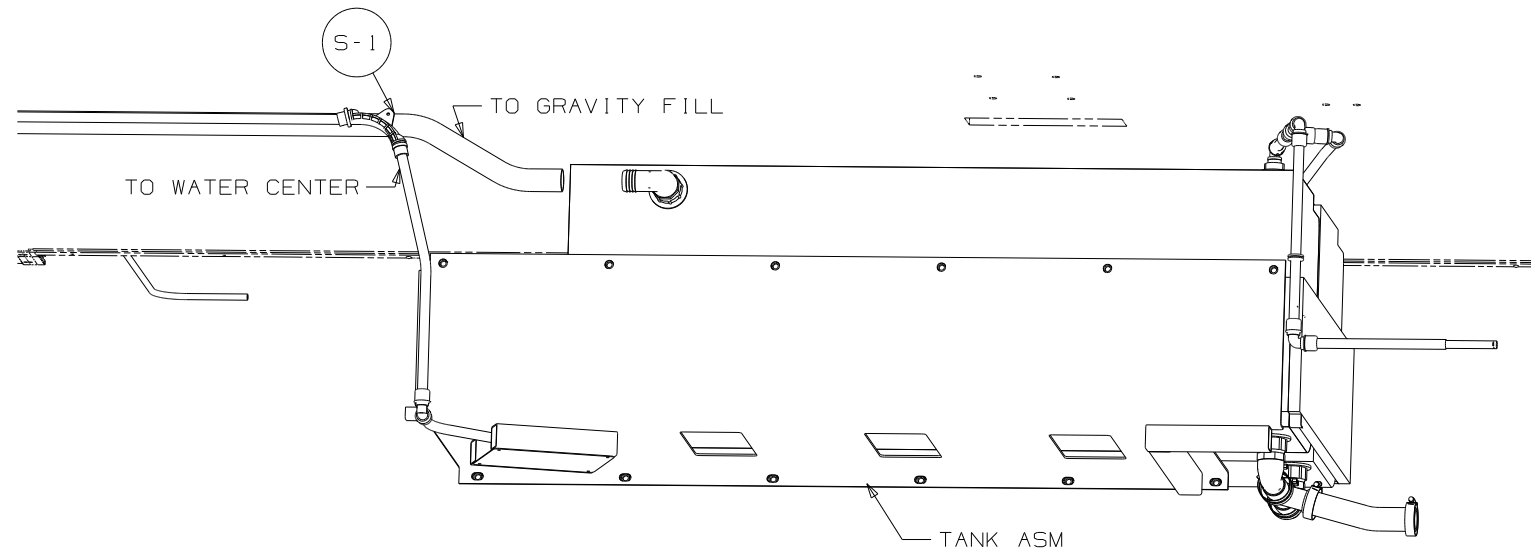
CU-1

E-30

FIRST USED	04 S40AD
DO NOT SCALE DRAWING	
TITLE: WATER SYSTEM INSTL	
SHEET 3	PART NO 145124
1 3/25/2004	



VIEW G



- WATER HEATER 145541-01-000
- DOOR 125420-01-CHT
- PLATE-WATER HEATER 133224-01-CHT (TAB GOES FORWARD)
- SCREW G39-10-10U (16)
- BUMPER INSTL 146507-01-000

VIEW K



DATUM (TOP OF FLOOR FRAME)

FIRST USED	O4 S40AD
TITLE	DO NOT SCALE DRAWING
SHEET 4	PART NO 145124
1 3/25/2004	