



DANGER

Danger of electrical shock, burns or death. Always remove all power sources before attempting any repair, service or diagnostic work. Power can be present from shore power, generator, inverter or battery. All power sources must be disabled and secured before performing any service.



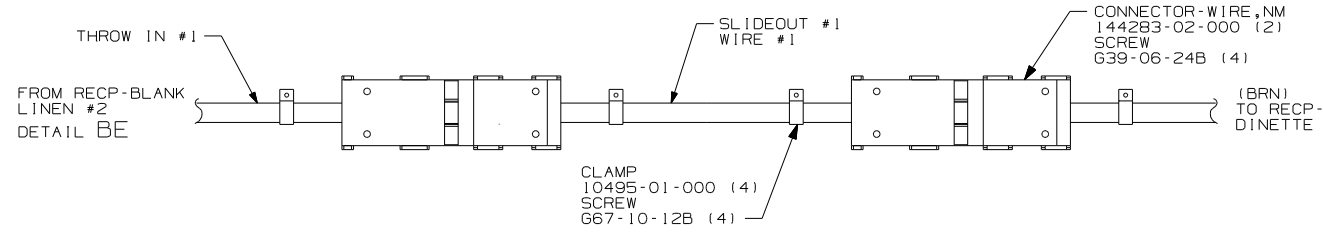
CAUTION

If you lack the skills, tools or equipment to perform diagnostic or repair work leave such work to an authorized Winnebago Industries dealer or other qualified shop.

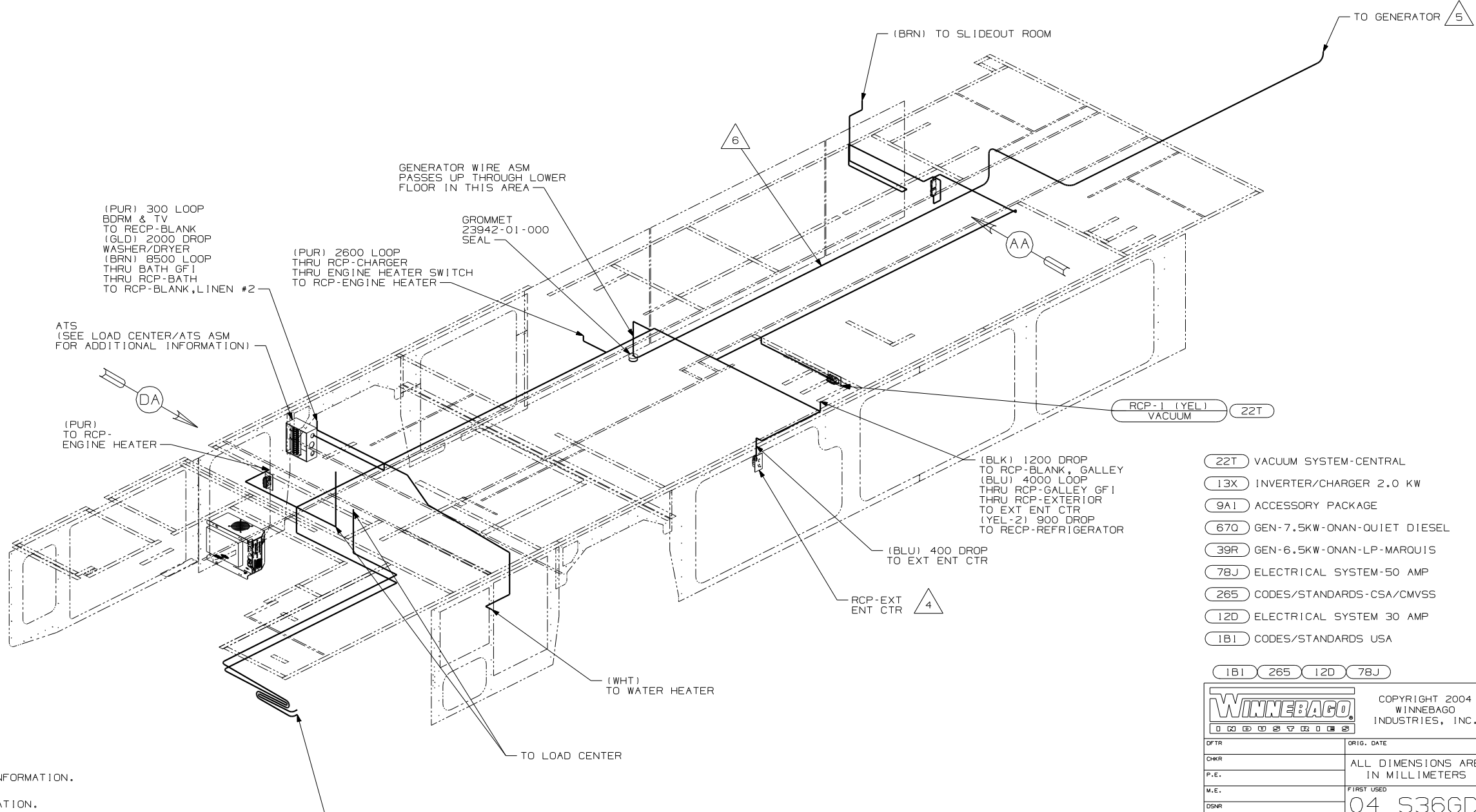
DRAWING NO.	FEATURE
147415-01	-----
147415-14	(1B1) (78J) (13X)
147415-18	(265) (78J) (13X)

12.000

RELEASE	REV DATE	DWG NO
A		147415
REV ZONE	REVISION RECORD	DATE DFR-0R16



VIEW AA



- (22T) VACUUM SYSTEM-CENTRAL
- (13X) INVERTER/CHARGER 2.0 KW
- (9A1) ACCESSORY PACKAGE
- (670) GEN-7.5KW-ONAN-QUIET DIESEL
- (39R) GEN-6.5KW-ONAN-LP-MARQUIS
- (78J) ELECTRICAL SYSTEM-50 AMP
- (265) CODES/STANDARDS-CSA/CMVSS
- (12D) ELECTRICAL SYSTEM 30 AMP
- (1B1) CODES/STANDARDS USA

- 6 ROUTED ALONG CHASSIS RAIL IN THIS AREA
- 5 SEE GENERATOR INSTALLATION FOR ADDITIONAL INFORMATION.
- 4 SEE EXT ENT CTR COMPT FOR ADDITIONAL INFORMATION.
- 3 WIRE THAT REST ON WIRE TRAYS ARE TO BE TIED DOWN WITH WIRE TIE 8343-02-000.
- 2 CLAMP TO FLOOR SUPPORT TUBES AS NECESSARY WITH CLAMP 10497-01-000.
- 1 ALL WIRE TO BE CLAMPED WITH CLAMP 10495-01-000 OR CLIP 80734-02-000 EVERY 700. USE SCREW 667-10-12B UNLESS OTHERWISE SPECIFIED.

FOR ELECTRICAL TORQUE SPECIFICATIONS SEE DWG NO. 128783-01-000

FOR ELECTRICAL CALLOUTS SEE DWG NO. 121339-01-000

WINNEBAGO COPYRIGHT 2004 WINNEBAGO INDUSTRIES, INC.

DFTR	ORIG. DATE
CHKR	ALL DIMENSIONS ARE IN MILLIMETERS
P.E.	
M.E.	FIRST USED
DSNR	04 S36GD

UNSPECIFIED TOLERANCES ARE: MATERIAL:

WHOLE DIM (X)	:
ONE-PLACE (X.X)	:
TWO-PLACE (X.XX)	:
ANGLE	:

THIRD ANGLE PROJECTION

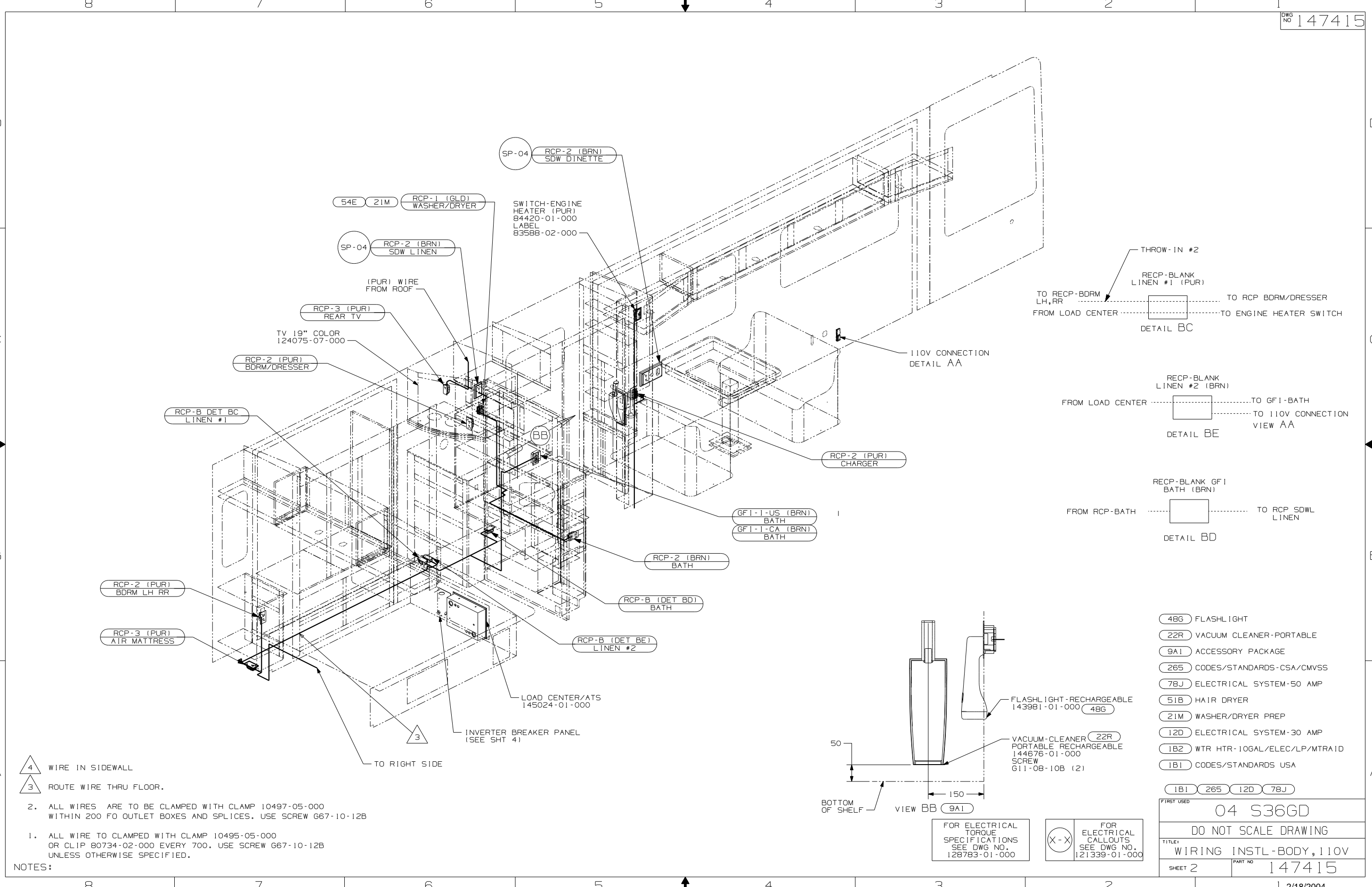
DO NOT SCALE DRAWING

TITLE: WIRING INSTL-BODY, 110V

SHEET 1 OF 4 PART NO 147415

REF: 1 2/18/2004

NOTES:

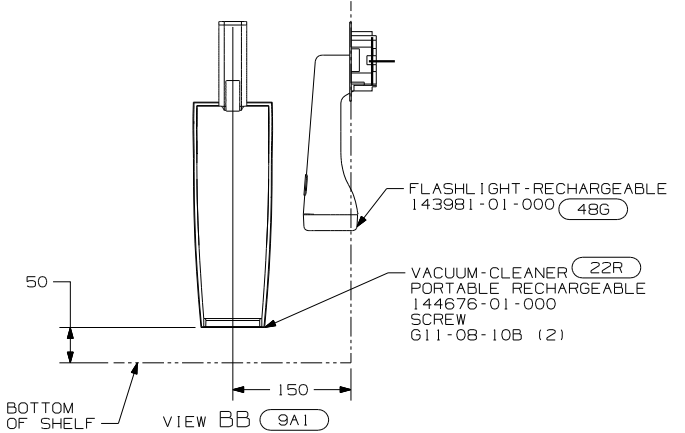
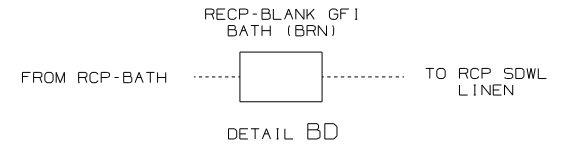
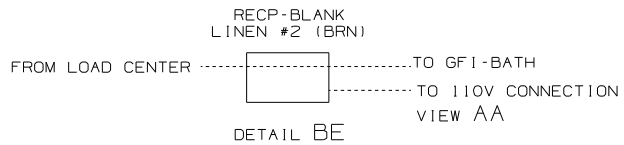
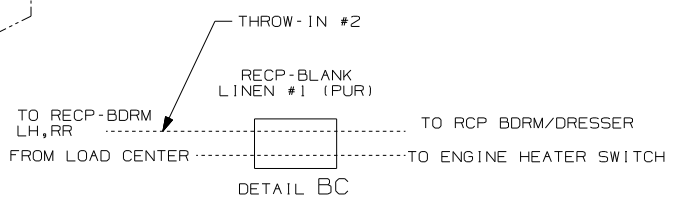


- 4 WIRE IN SIDEWALL
- 3 ROUTE WIRE THRU FLOOR.

2. ALL WIRES ARE TO BE CLAMPED WITH CLAMP 10497-05-000 WITHIN 200 FO OUTLET BOXES AND SPLICES. USE SCREW G67-10-12B

1. ALL WIRE TO CLAMPED WITH CLAMP 10495-05-000 OR CLIP 80734-02-000 EVERY 700. USE SCREW G67-10-12B UNLESS OTHERWISE SPECIFIED.

NOTES:

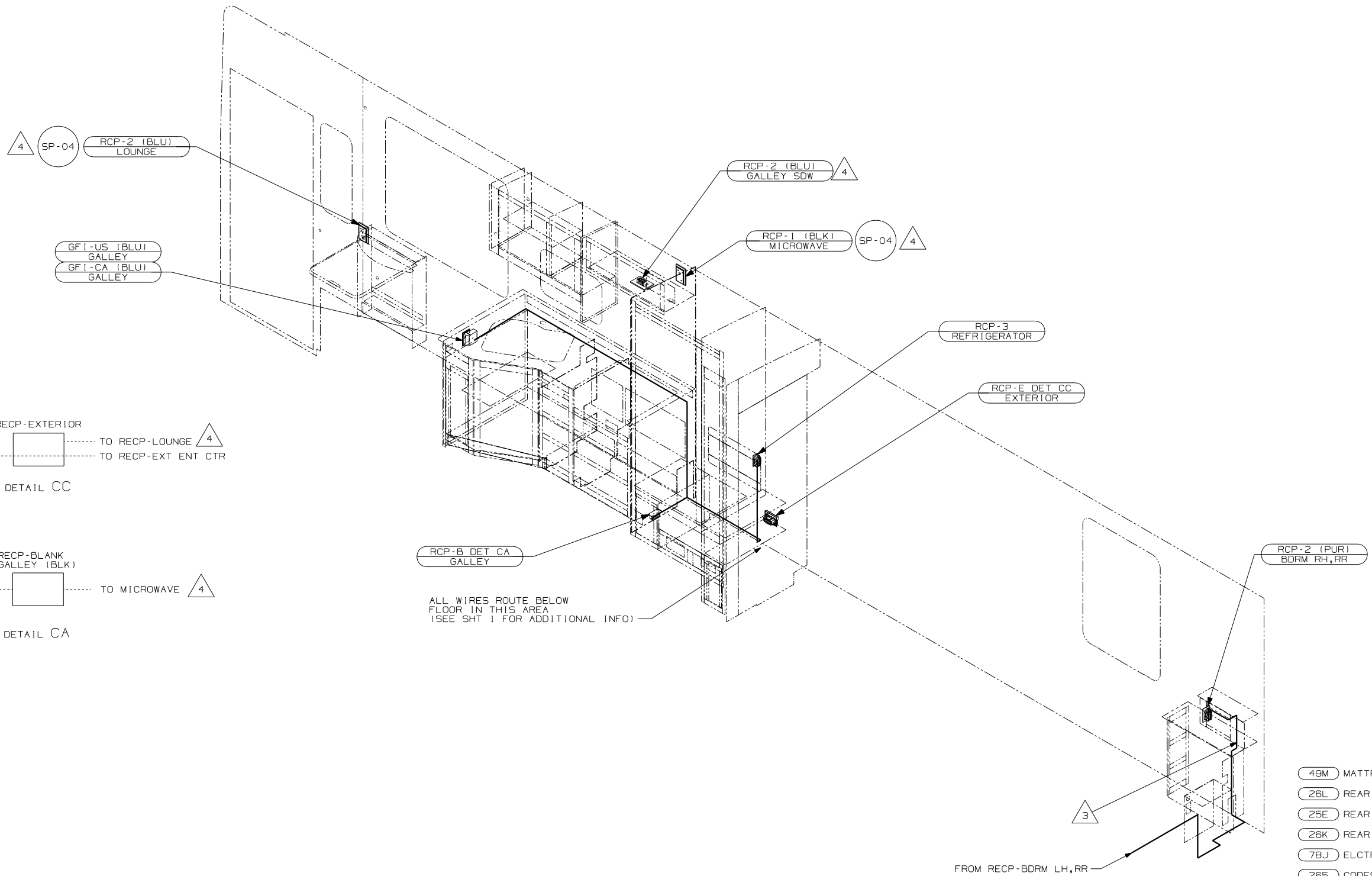


- 48G FLASH LIGHT
- 22R VACUUM CLEANER-PORTABLE
- 9A1 ACCESSORY PACKAGE
- 265 CODES/STANDARDS-CSA/CMVSS
- 78J ELECTRICAL SYSTEM-50 AMP
- 51B HAIR DRYER
- 21M WASHER/DRYER PREP
- 12D ELECTRICAL SYSTEM-30 AMP
- 1B2 WTR HTR-10GAL/ELEC/LP/MTR1D
- 1B1 CODES/STANDARDS USA

FIRST USED	
04 S36GD	
DO NOT SCALE DRAWING	
TITLE:	
WIRING INSTL-BODY, 110V	
SHEET 2	PART NO 147415

FOR ELECTRICAL TORQUE SPECIFICATIONS SEE DWG NO. 128783-01-000

FOR ELECTRICAL CALLOUTS SEE DWG NO. 121339-01-000



△ 4 SP-04 RCP-2 (BLU) LOUNGE

RCP-2 (BLU) GALLEY SDW △ 4

GFI-US (BLU) GALLEY
GFI-CA (BLU) GALLEY

RCP-1 (BLK) MICROWAVE SP-04 △ 4

RCP-3 REFRIGERATOR

RCP-E DET CC EXTERIOR

RECP-EXTERIOR
FROM RECP GALLEY GFI TO RECP-LOUNGE △ 4
TO RECP-EXT ENT CTR

DETAIL CC

RECP-BLANK GALLEY (BLK)
FROM LOAD CENTER TO MICROWAVE △ 4

DETAIL CA

RCP-B DET CA GALLEY

ALL WIRES ROUTE BELOW FLOOR IN THIS AREA (SEE SHT 1 FOR ADDITIONAL INFO)

RCP-2 (PUR) BDRM RH,RR

- 49M MATTRESS, AIR
- 26L REAR STEREO SYSTEM W/CASSETTE
- 25E REAR STEREO SYSTEM W/CD
- 26K REAR STEREO SYSTEM WITHOUT
- 78J ELECTRICAL SYSTEM-50 AMP
- 265 CODES/STANDARDS-CSA/CMVSS
- 12D ELECTRICAL SYSTEM 30 AMP
- 1B1 CODES/STANDARDS USA

1B1 265 12D 78J

- △ 4 WIRE IN SIDEWALL.
- △ 3 ROUTE WIRE IN SIDEWALL DURING INSTALLATION.

2. ALL WIRES ARE TO BE CLAMPED WITH CLAMP 10497-05-000 WITHIN 200 OF OUTLET BOXES AND SPLICES, USE SCREW G67-10-12B.

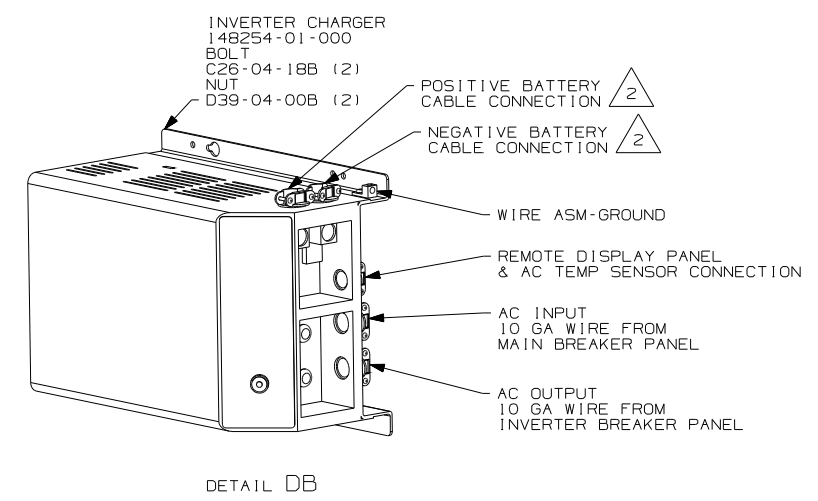
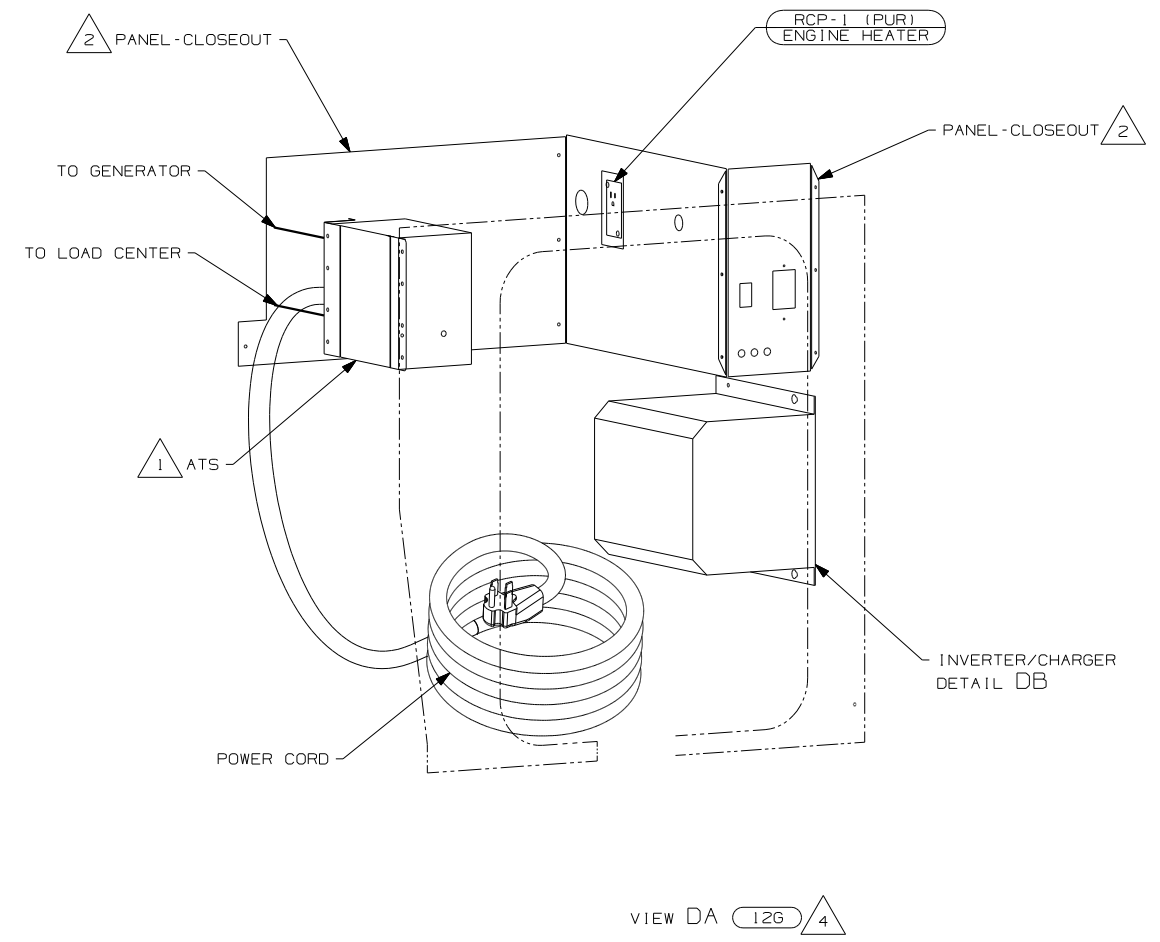
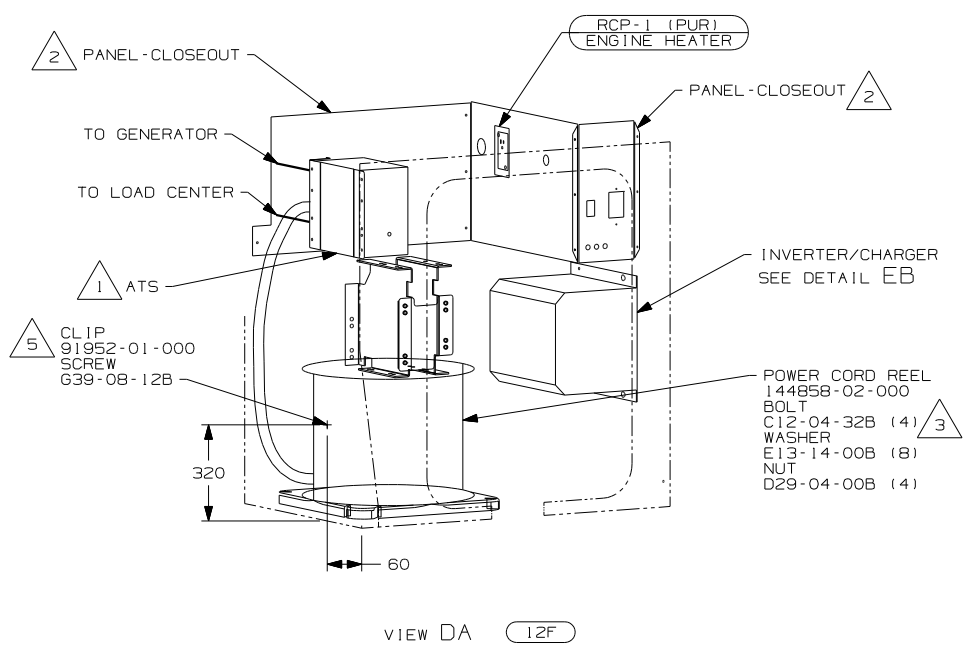
1. ALL WIRE TO BE CLAMPED WITH CLAMP 10495-05-000 OR CLIP B0734-02-000 EVERY 700. USE SCREW G67-10-12B UNLESS OTHERWISE SPECIFIED.

NOTES:

FOR ELECTRICAL TORQUE SPECIFICATIONS SEE DWG NO. 128783-01-000

FOR ELECTRICAL CALLOUTS SEE DWG NO. 121339-01-000

FIRST USED	
04 S36GD	
DO NOT SCALE DRAWING	
TITLE: WIRING INSTL-BODY, 110V	
SHEET 3	PART NO 147415



- NOTES:
- 5 FASTEN CLIP TO INSIDE LEFT COMPARTMENT WALL.
 - 4 PLUG POWER CORD REEL MOUNTING HOLES WITH PLUG-PLASTIC 81211-01-000 (4).
 - 3 INSERT BOLT FROM BOTTOM OF COMPT.
 - 2 SEE WIRING INSTL-CHASSIS FOR ADDITIONAL INFORMATION.
 - 1 SEE LOAD CENTER/ATS ASM FOR ADDITIONAL INFORMATION.

- 12G POWER CORD REEL - WITHOUT
- 12F POWER CORD REEL
- 265 CODES/STANDARDS-CSA/CMVSS
- 1B1 CODES/STANDARDS USA

FIRST USED	
04 S36GD	
DO NOT SCALE DRAWING	
TITLE:	
WIRING INSTL-BODY, 110V	
SHEET 4	PART NO 147415