



DANGER

Danger of electrical shock, burns or death. Always remove all power sources before attempting any repair, service or diagnostic work. Power can be present from shore power, generator, inverter or battery. All power sources must be disabled and secured before performing any service.

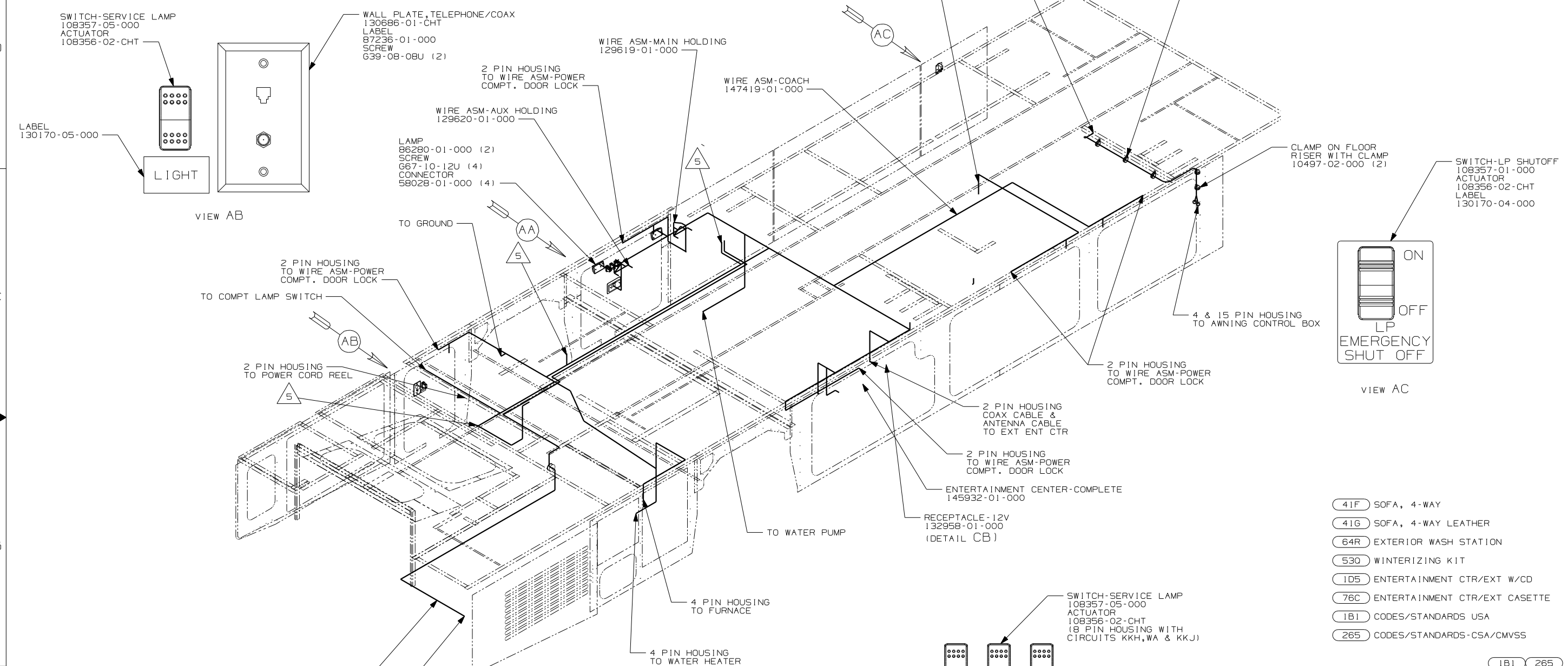


CAUTION

If you lack the skills, tools or equipment to perform diagnostic or repair work leave such work to an authorized Winnebago Industries dealer or other qualified shop.

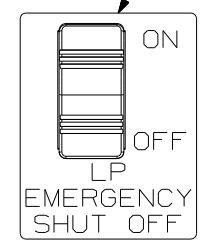
DRAWING NO.	FEATURE
147414-01	(WIN)
147414-02	(ITA)

RELEASE	REV/DATE	DWG NO	147414
REV ZONE	REVISION RECORD	DATE	DFTR-016

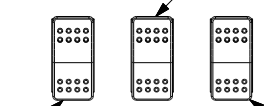


5. WIRES PASS THRU FLOOR IN THIS AREA.
4. SEE WIRING INSTL-CHASSIS FOR ADDITIONAL INFORMATION.
3. FOR MORE INFORMATION SEE A/C INSTL.
2. CONNECT TELEPHONE WIRES TO MATCHING COLORS ON PLATE-TELEPHONE.
1. ALL WIRE TO BE SECURED WITH WIRE TIE 8343-02-000 EVERY 600MM.

NOTES:



VIEW AC

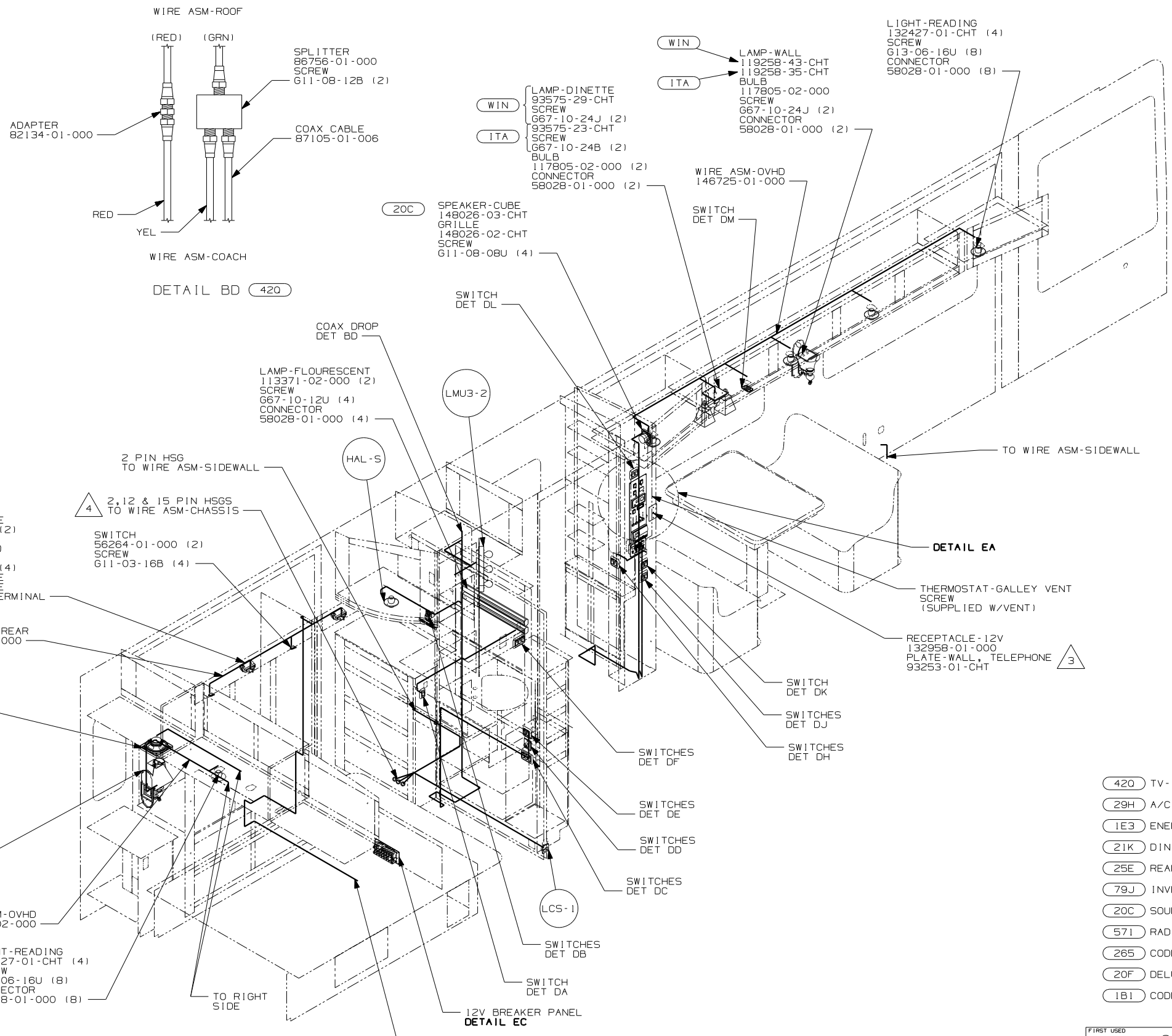


VIEW AA

FOR ELECTRICAL TORQUE SPECIFICATIONS SEE DWG NO. 128783-01-000

FOR ELECTRICAL CALLOUTS SEE DWG NO. 121339-01-000

WINNEBAGO		COPYRIGHT 2004 WINNEBAGO INDUSTRIES, INC.	
DFTR	ORIG. DATE		
CHKR	ALL DIMENSIONS ARE IN MILLIMETERS		
P.E.	FIRST USED		
M.E.	04 S36GD		
DSNR			
UNSPECIFIED TOLERANCES ARE:		MATERIAL:	
WHOLE DIM (X)	:		
ONE-PLACE (X.X)	:		
TWO-PLACE (X.XX)	:		
ANGLE	:		
THIRD ANGLE PROJECTION			
DO NOT SCALE DRAWING			
TITLE: WIRING INSTL-BODY, 12V			
SHEET 1 OF 7	PART NO	147414	
REF: NONE 1 4/5/2004			



- NOTES:
1. ALL WIRES TO BE CLAMPED WITH CLAMP 10495-01-000 OR CLIP 80734-02-000 EVERY 700. USE SCREW 667-10-12B UNLESS OTHERWISE SPECIFIED.
 2. COAX CABLE IS INTERGRADED INTO THE WIRE ASM'S.

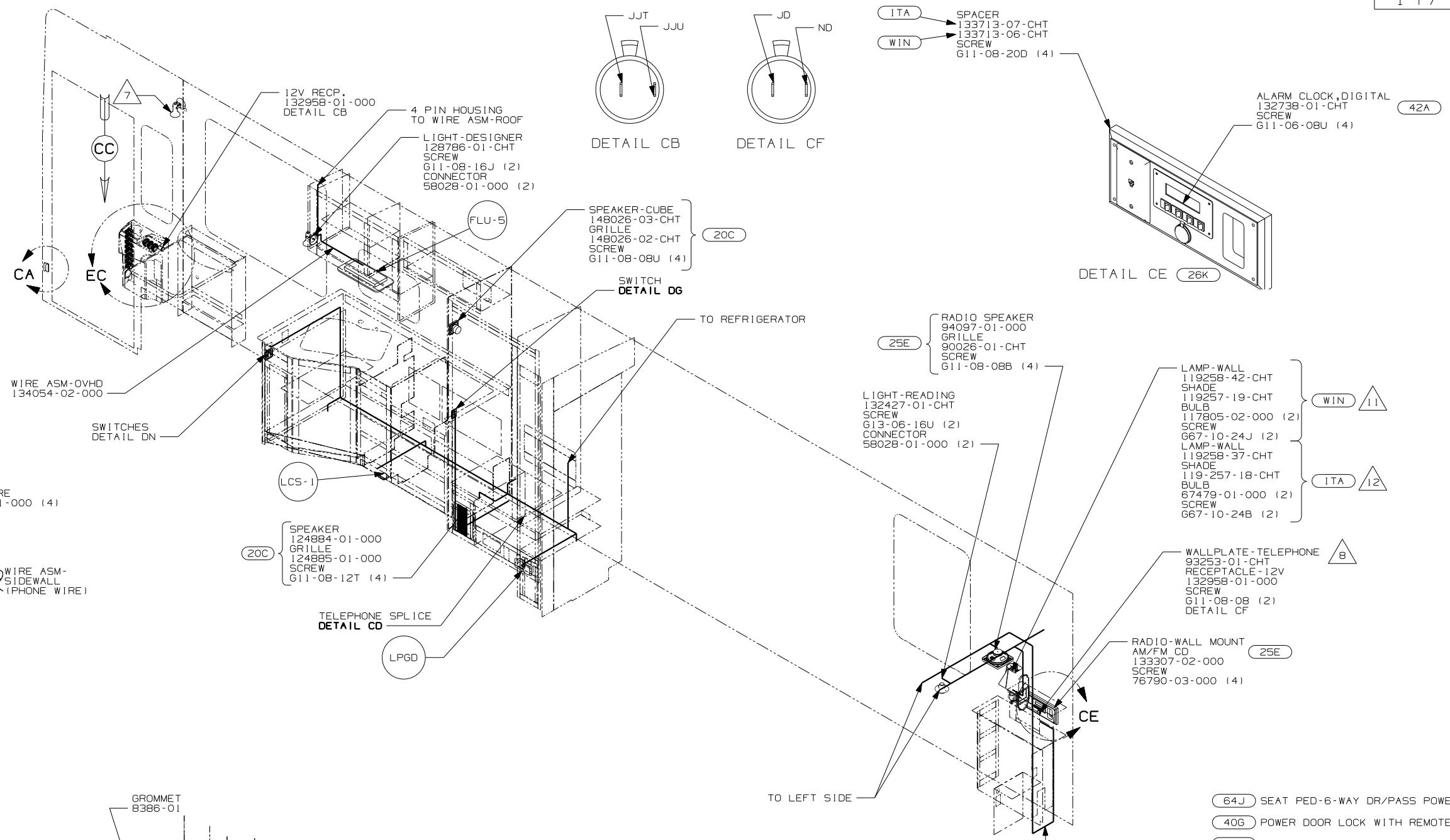
- 6 LAMP TO BE LOCATED 150mm FROM BOTTOM OF CABINET TO TOP OF SHADE.
- 5 LAMP TO BE LOCATED 85mm FROM BOTTOM OF CABINET TO TOP OF SHADE.

FOR ELECTRICAL TORQUE SPECIFICATIONS SEE DWG NO. 128783-01-000

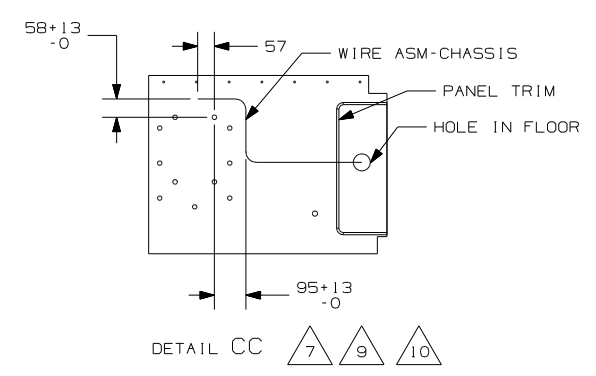
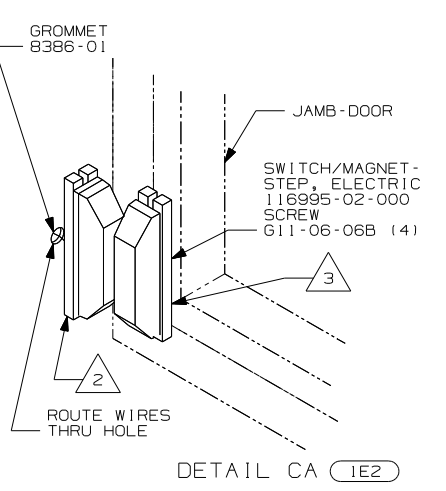
FOR ELECTRICAL CALLOUTS SEE DWG NO. 121339-01-000

- 420 TV-19" WITH REMOTE
- 29H A/C CENTRAL HEAT PUMP
- 1E3 ENERGY MANAGEMENT SYSTEM
- 21K DINING/COMPUTER TABLE/CHAIRS
- 25E REAR STEREO SYSTEM W/CD
- 79J INVERTER/CHARGER-1,500 WATT
- 20C SOUND SYS. DLX. W/ 0-SURROUND
- 571 RADIO SPEAKERS
- 265 CODES/STANDARDS-CSA/CMVSS
- 20F DELUX SOUND SYSTEM-WITHOUT
- 1B1 CODES/STANDARDS USA

FIRST USED	04 S36GD	
TITLE	DO NOT SCALE DRAWING	
	WIRING INSTL-BODY, 12V	
SHEET	2	PART NO 147414



- NOTES:
- 12 LAMP TO BE LOCATED 150mm FROM BOTTOM OF CABINET TO TOP OF SHADE.
 - 11 LAMP TO BE LOCATED 85mm FROM BOTTOM OF CABINET TO TOP OF SHADE.
 - 10 WITHOUT (64J) TIE BACK TO MAIN WIRE ASM.
 - 9 ROUTE WIRE UNDER FLOOR SHOWN.
 - 8 CONNECT TELEPHONE WIRES TO MATCHING COLORS ON PLATE-TELEPHONE.
 - 7 SEE WIRING INSTL-FRONT END FOR ADDITIONAL INFORMATION.
 - 6 SEE STYLING SHEET FOR ADDITIONAL INFORMATION.
 - 5 SEE WIRING INSTL-CHASSIS FOR ADDITIONAL INFORMATION.
 - 4 SPEAKER IS MOUNTED TO ROOF.
 - 3 MOUNT SWITCH AND SPACER TO BLOCK ON JAMB ADJUST HEIGHT TO MATCH MAGNET. MOUNT MAGNET USING PILOT HOLES IN SCREEN DOOR FRAME. MOUNT WITH MAGNET TOWARD SWITCH.
 - 2 WIRE ROUTED IN SIDEWALL.



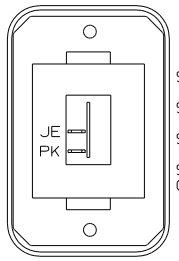
- (64J) SEAT PED-6-WAY DR/PASS POWER
- (40G) POWER DOOR LOCK WITH REMOTE
- (42A) CLOCK W/ALARM
- (20C) SOUND SYS. DLX. W/O-SOUND
- (26K) REAR STEREO SYSTEM WITHOUT
- (25E) REAR STEREO SYSTEM W/CD
- (57I) RADIO SPEAKERS
- (265) CODES/STANDARDS-CSA/CMVSS
- (20F) DELUX SOUND SYSTEM-WITHOUT
- (1B1) CODES/STANDARDS USA
- (1E2) ENTRANCE STEP-ELECT. (1B1) (265)

FOR ELECTRICAL TORQUE SPECIFICATIONS SEE DWG NO. 128783-01-000

FOR ELECTRICAL CALLOUTS SEE DWG NO. 121339-01-000

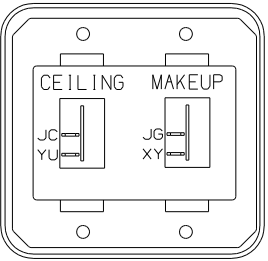
(WDL) WINNEBAGO DELUXE UPGRADE
 (ITA) ITASCA ONLY

FIRST USED	04 S36GD
TITLE	DO NOT SCALE DRAWING
WIRING INSTL-BODY, 12V	
SHEET 3	PART NO 147414



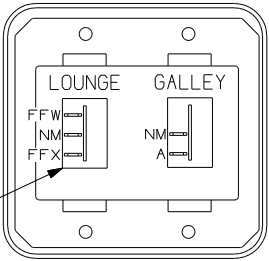
SWITCH-ROCKER
135740-01-CHT
SWITCH-BASE
135741-01-CHT
SWITCH-BEZEL
135742-01-CHT
SCREW
G11-08-08U (2)

DETAIL DA



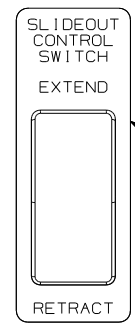
SWITCH-ROCKER
135740-01-CHT (2)
SWITCH-BASE
135741-02-CHT
SWITCH-BEZEL
135742-14-CHT
SCREW
G11-08-08U (4)

DETAIL DE



SWITCH-ROCKER
135740-01-CHT (2)
SWITCH-BASE
135741-02-CHT
SWITCH-BEZEL
135742-18-CHT
SCREW
G11-08-08U (4)

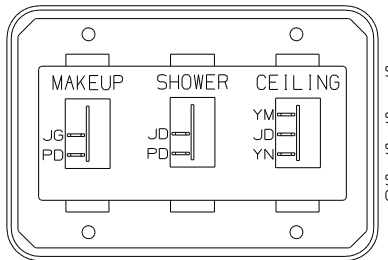
DETAIL DK



SLIDEOUT CONTROL SWITCH
EXTEND
RETRACT
PLATE-SWITCH
144363-09-CHT
SWITCH
108357-06-000
ACTUATOR
108356-02-CHT
NUT
D65-08-00B (2)
LABEL
116220-01-000

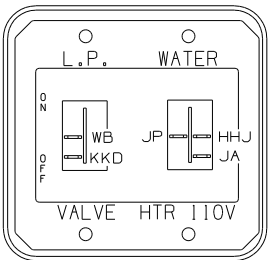
LABEL-WARNING
116549-01-000

WARNING
UNDERSTAND OPERATOR'S MANUAL BEFORE USING
KEEP PEOPLE AND OBSTRUCTIONS CLEAR OF
SLIDEOUT ROOM WHEN OPERATING TO AVOID
INJURY AND/OR PROPERTY DAMAGE



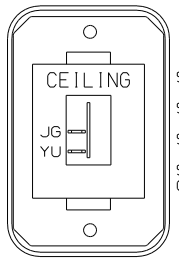
SWITCH-ROCKER
135740-01-CHT (2)
135740-02-CHT
SWITCH-BASE
135741-03-CHT
SWITCH-BEZEL
135742-28-CHT
SCREW
G11-08-08U (4)

DETAIL DF



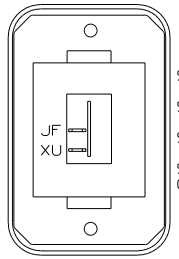
SWITCH-ROCKER
135740-01-CHT
135740-06-CHT
SWITCH-BASE
135741-02-CHT
SWITCH-BEZEL
135742-34-CHT
SCREW
G11-08-08U (4)

DETAIL DL



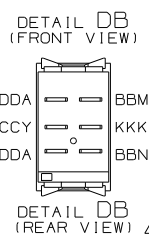
SWITCH-ROCKER
135740-01-CHT
SWITCH-BASE
135741-01-CHT
SWITCH-BEZEL
135742-07-CHT
SCREW
G11-08-08U (2)

DETAIL DG



SWITCH-ROCKER
135740-01-CHT
SWITCH-BASE
135741-01-CHT
SWITCH-BEZEL
135742-01-CHT
SCREW
G11-08-08U (2)

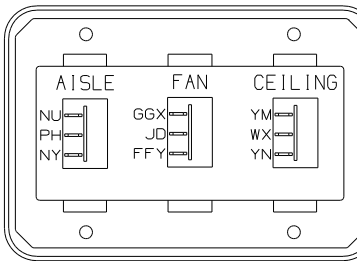
DETAIL DM



DDA
CCY
DDA
BBM
KKK
BBN



2

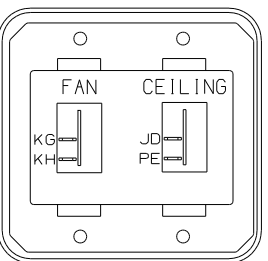


SWITCH-ROCKER
135740-02-CHT (2)
135740-04-CHT
SWITCH-BLANK
138253-01-CHT
SWITCH-BASE
135741-03-CHT
SWITCH-BEZEL
135742-23-CHT
SCREW
G11-08-08U (4)

41Y
412

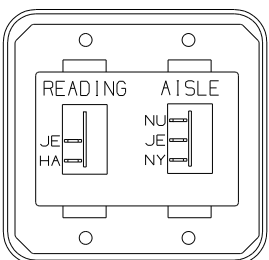
WIRE ASM-RESISTOR,FAN
140195-01-000
41Y 3

DETAIL DC



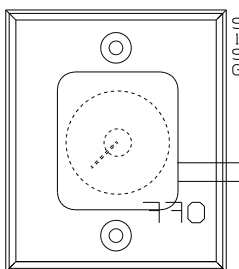
SWITCH-ROCKER
135740-01-CHT (2)
SWITCH-BASE
135741-02-CHT
SWITCH-BEZEL
135742-33-CHT
SCREW
G11-08-08U (4)

DETAIL DH



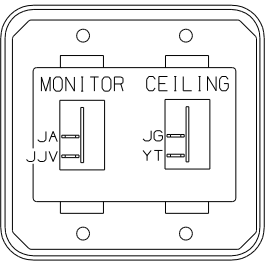
SWITCH-ROCKER
135740-01-CHT
135740-02-CHT
SWITCH-BASE
135741-02-CHT
SWITCH-BEZEL
135742-21-CHT
SCREW
G11-08-08U (4)

DETAIL DN



SWITCH
137889-01-000
SCREW
G11-06-10U (2)

DETAIL DD



SWITCH-ROCKER
135740-01-CHT (2)
SWITCH-BASE
135741-02-CHT
SWITCH-BEZEL
135742-31-CHT
SCREW
G11-08-08U (4)

DETAIL DJ

- 41Y FAN-CEILING
- 710 VENT ROOF-POWERED, INSULATED
- 412 DECORATIVE LIGHT-CEILING
- 265 CODES/STANDARDS-CSA/CMVSS
- 1B1 CODES/STANDARDS-USA

1B1 265

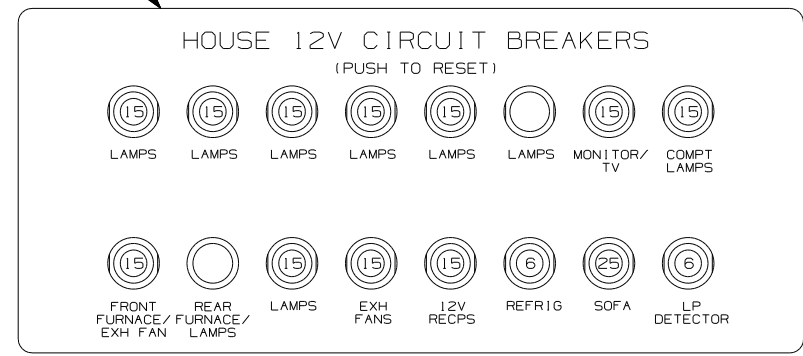
- NOTES:
- 3 CONNECTS TO WIRE ASM-COACH UNDER BEDROOM DRESSER.
 - 2 CIRCUITS FROM WIRE ASM-CHASSIS.
 - 1 CONNECT TELEPHONE WIRES TO MATCHING COLORS ON PLATE-TELEPHONE.

FOR ELECTRICAL TORQUE SPECIFICATIONS SEE DWG NO. 128783-01-000

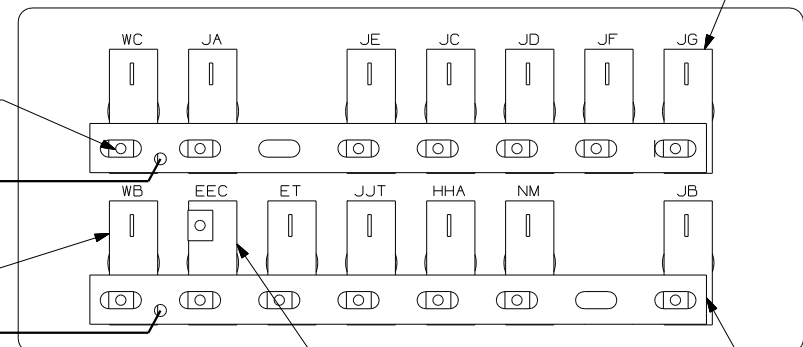
FOR ELECTRICAL CALLOUTS SEE DWG NO. 121339-01-000

FIRST USED		04 S36GD	
DO NOT SCALE DRAWING			
TITLE: WIRING INSTL-BODY, 12V			
SHEET	4	PART NO	147414

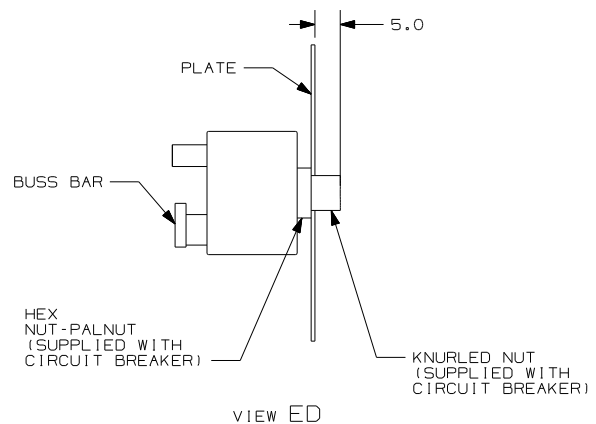
PLATE
139067-05-CHT
LABEL
92547-13-000
SCREW
G11-10-12U (4)



DETAIL EB
(FRONT VIEW)



DETAIL EB
(BACK VIEW)

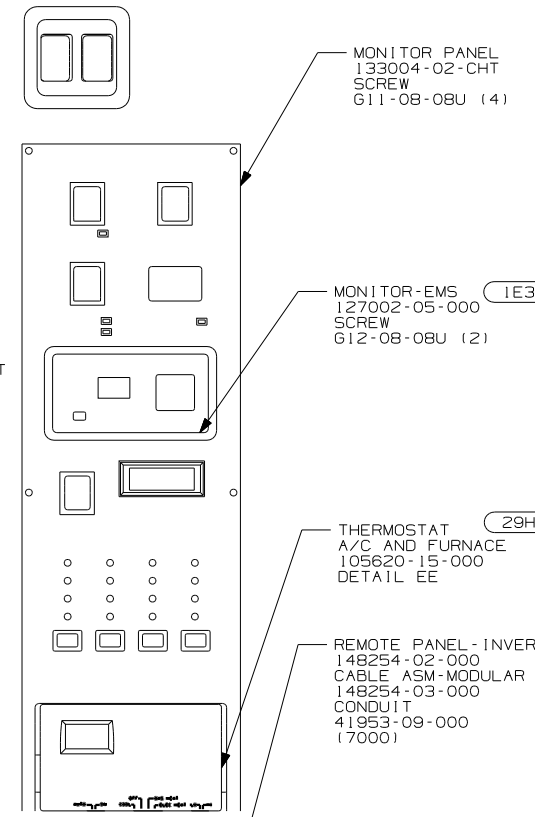


FOR ELECTRICAL TORQUE SPECIFICATIONS SEE DWG NO. 128783-01-000

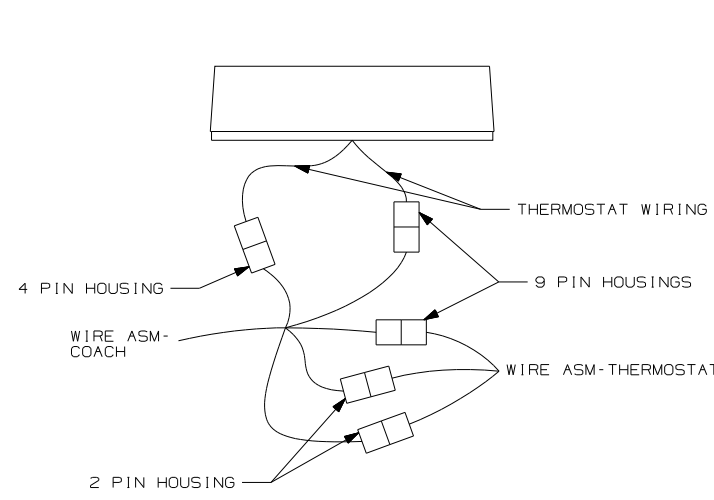
FOR ELECTRICAL CALLOUTS SEE DWG NO. 121339-01-000

- (29H) A/C CENTRAL_HEAT PUMP
- (13X) INVERTER/CHARGER 2.0 KW
- (IE3) ENERGY MANAGEMENT SYSTEM
- (265) CODES/STANDARDS-CSA/CMVSS
- (1B1) CODES/STANDARDS USA

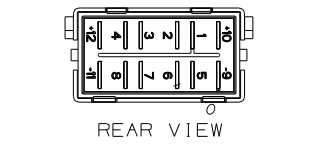
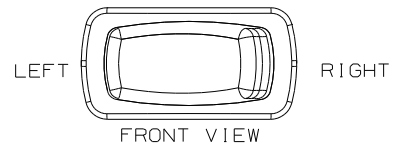
FIRST USED	04 S36GD
TITLE	DO NOT SCALE DRAWING
TITLE	WIRING INSTL-BODY, 12V
SHEET 5	PART NO 147414



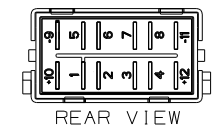
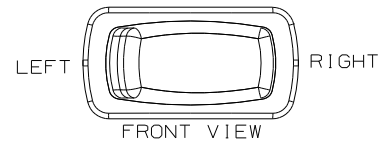
DETAIL EA



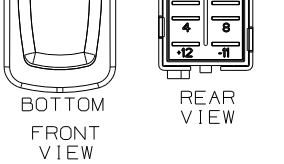
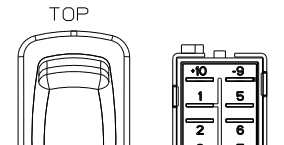
DETAIL EE



DETAIL EG
(MOUNTED HORIZONTALLY)



DETAIL EF
(MOUNTED HORIZONTALLY)



DETAIL EF
(MOUNTED VERTICALLY)

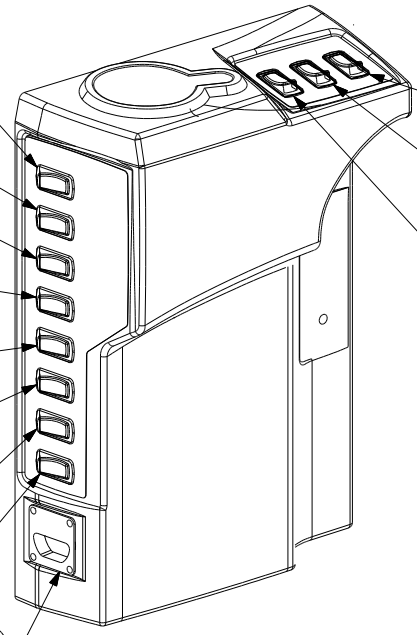
- 1 SWITCH-LOUNGE LAMP 145638-10-CHT (CONNECTS HOUSING WITH CIRCUITS FFV,PL,FFX)
- 2 SWITCH-PORCH 145638-01-CHT (CONNECTS HOUSING WITH CIRCUITS NM,PJ)
- 1 SWITCH-DOOR LOCKS 145638-09-CHT (CONNECTS HOUSING WITH CIRCUITS PX,MK,PY)
- 1 SWITCH-COMPARTMENT DOOR LOCKS 145638-09-CHT (CONNECTS HOUSING WITH CIRCUITS DDZ,MK,EEA)
- 1 SWITCH-AWNING SELECTOR 145638-07-CHT (CONNECTS HOUSING WITH CIRCUITS FFP,FFV,FFU,FFL)
- 1 SWITCH-AWNING CONTROL 145638-09-CHT (CONNECTS HOUSING WITH CIRCUITS FFM,FFU,FFK,FFR,FFV,FFN)
- 2 SWITCH-STEP 145638-01-CHT (CONNECTS HOUSING WITH CIRCUITS ER,ES)
- 1 SWITCH-BATTERY DISCONNECT 145638-09-CHT (CONNECTS HOUSING WITH CIRCUITS KF,LH,LJ,LJ,LG,KF)

- 2 FOR SWITCH ORIENTATION, SEE DETAIL EG
- 1 FOR SWITCH ORIENTATION, SEE DETAIL EF

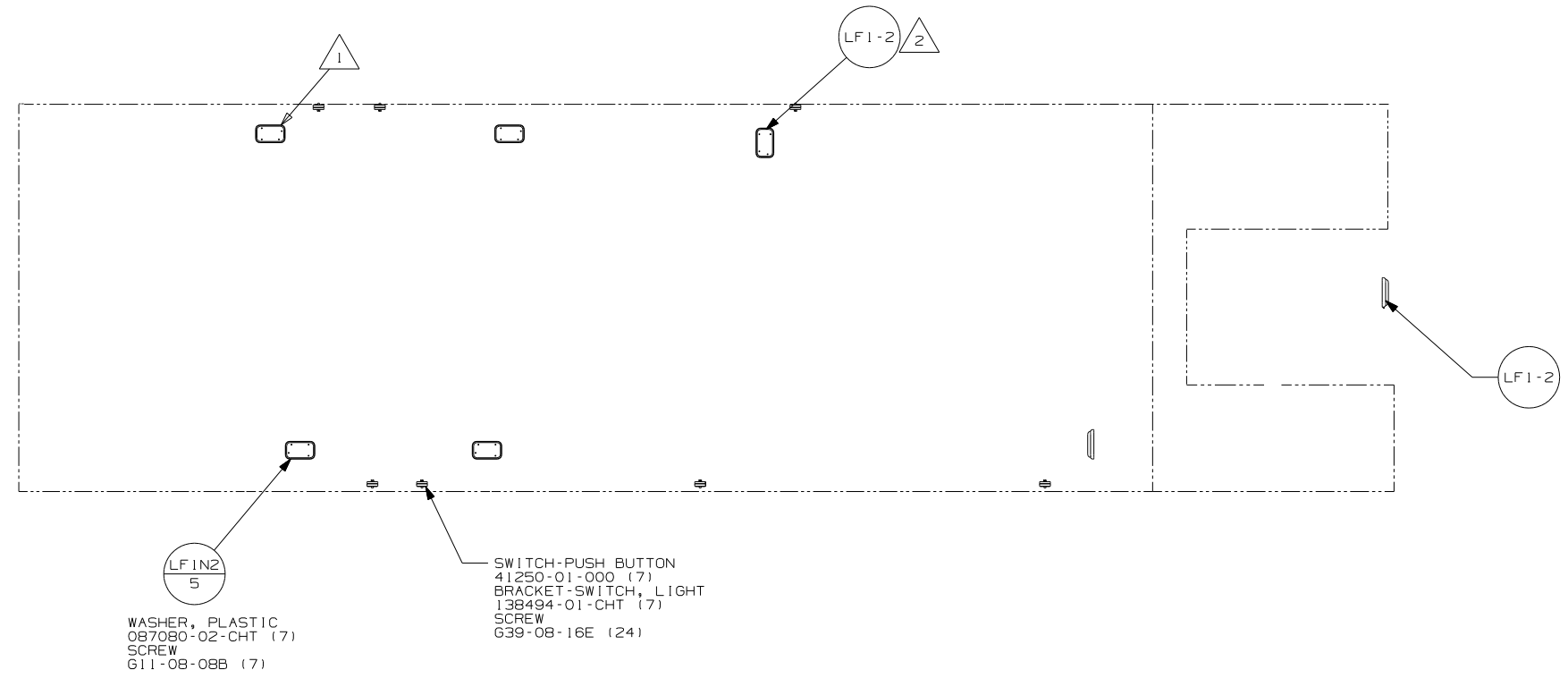
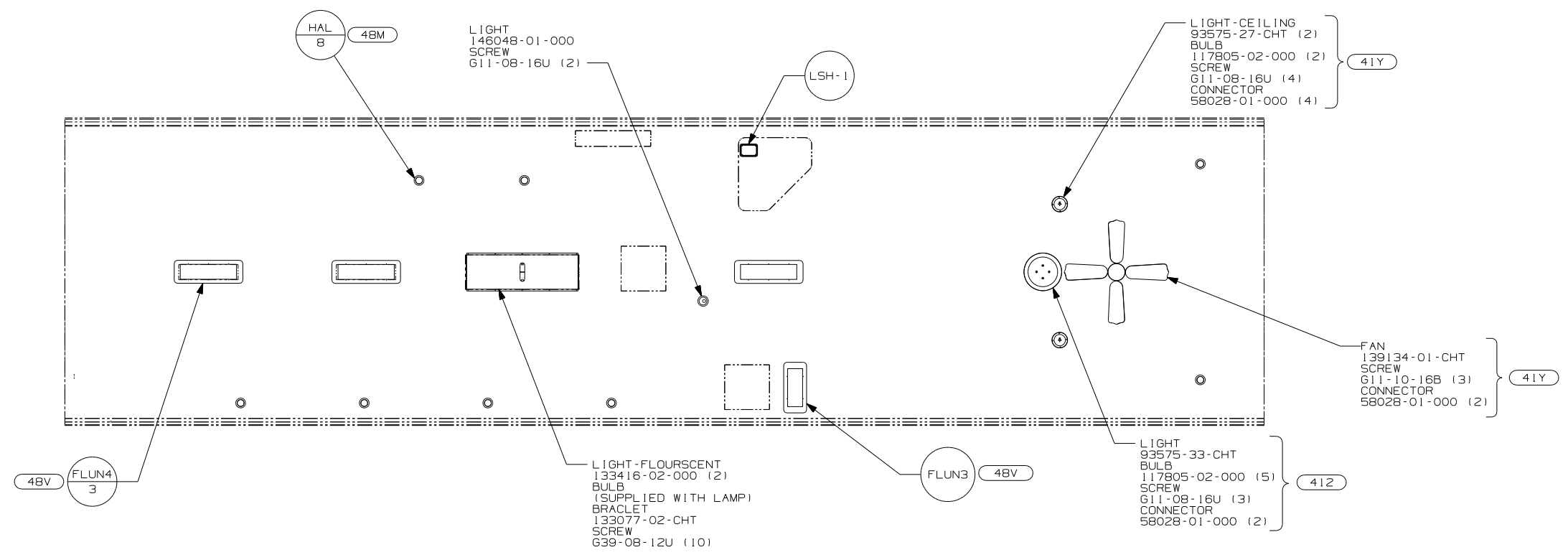
NOTES:

LCS-1

DETAIL EC



- 1 SWITCH-LAMP 145638-01-CHT (CONNECTS HOUSING WITH CIRCUITS NM,HA)
- 1 SWITCH-VISOR 145638-09-CHT (CONNECTS HOUSING WITH CIRCUITS HHN,MK,HHM,HHM,MU,HHN)
- 1 SWITCH-COVER 145638-09-CHT (CONNECTS HOUSING WITH CIRCUITS GX,HHC,KA,KA,HHD,GX)



- 41Y FAN-CEILING
- 41Z DECORATIVE LIGHT-CEILING
- 20C SOUND SYS. DLX. W/O-SURROUND
- 48M LIGHTS-INCANDESCENT
- 48V LIGHTS-FLUORESCENT
- 265 CODES/STANDARDS-CSA/CMVSS
- 1B1 CODES/STANDARDS USA

FIRST USED	04 S36GD	
TITLE	DO NOT SCALE DRAWING	
	WIRING INSTL-BODY, 12V	
SHEET	6	PART NO 147414

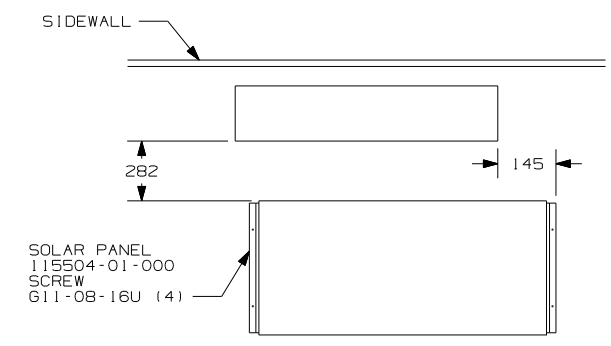
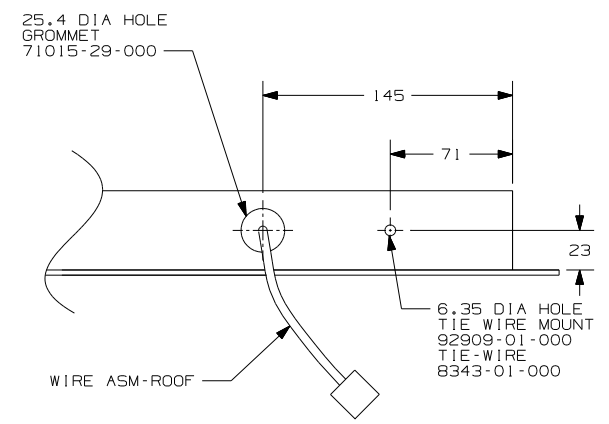
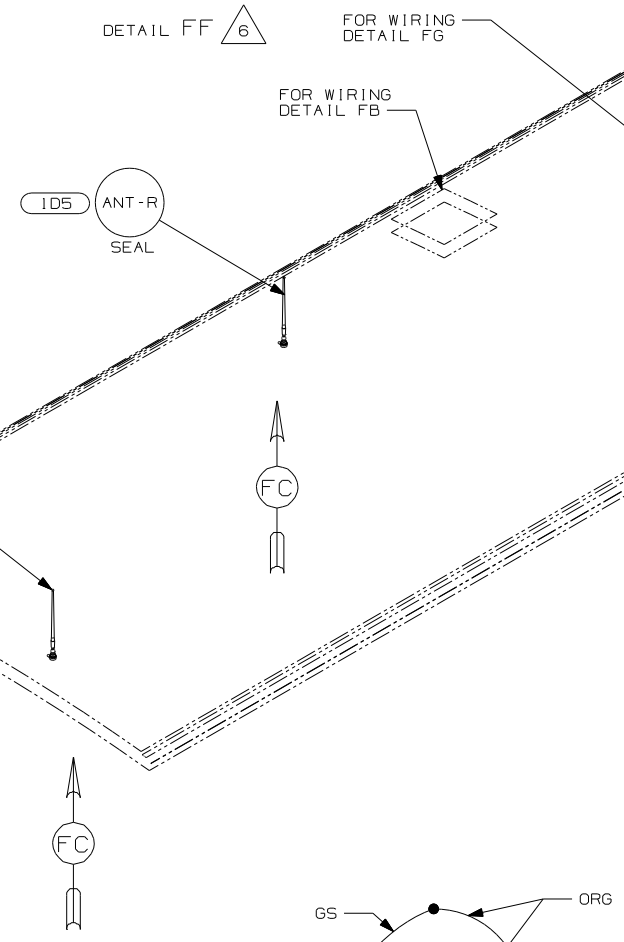
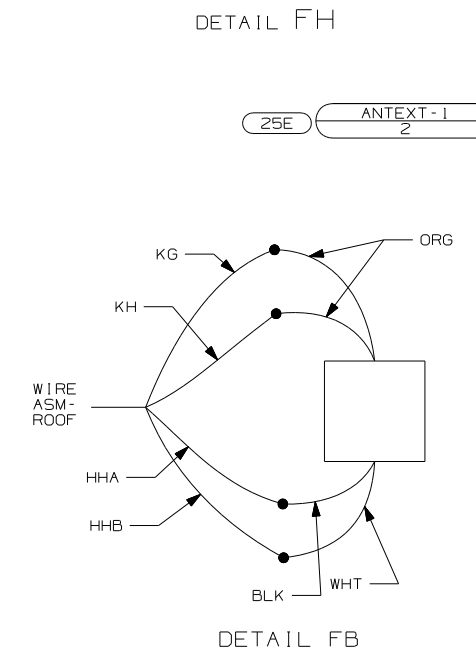
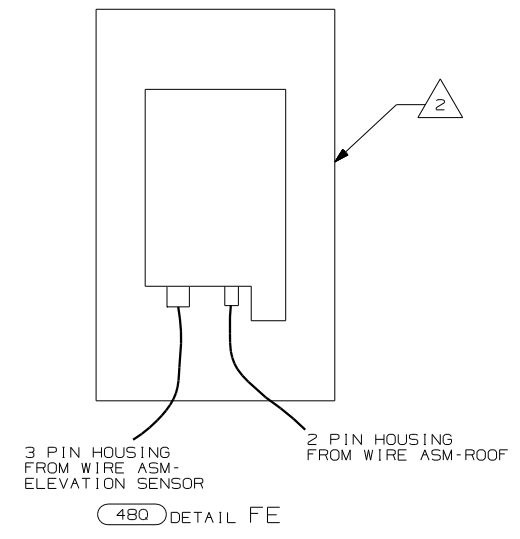
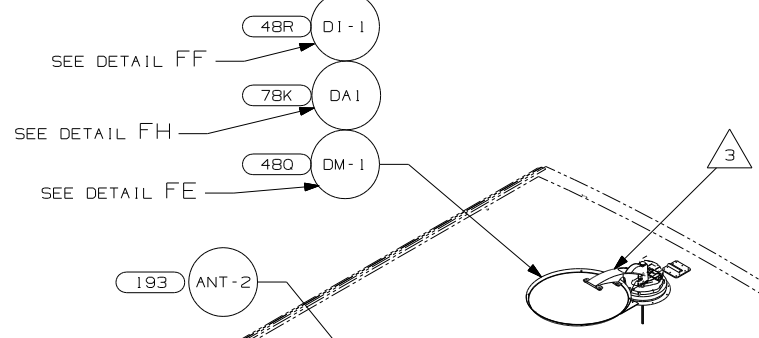
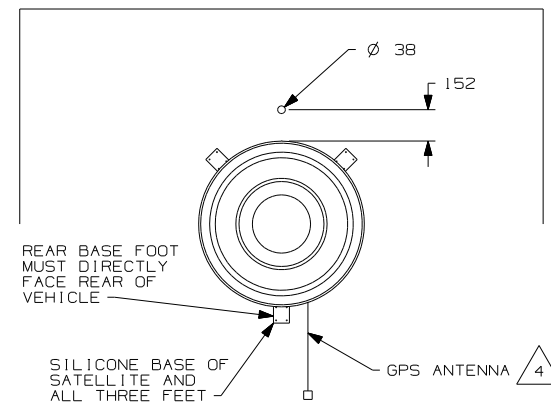
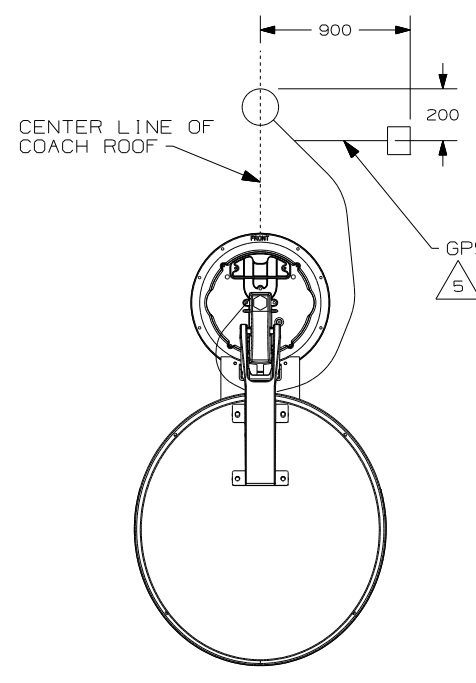
NOTES:

2 LIGHT MOUNTED BELOW EXT ENT CTR.

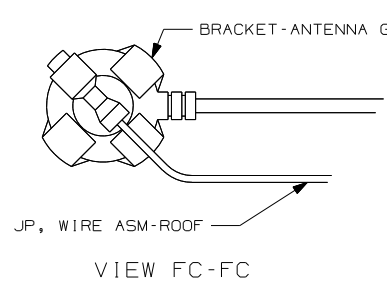
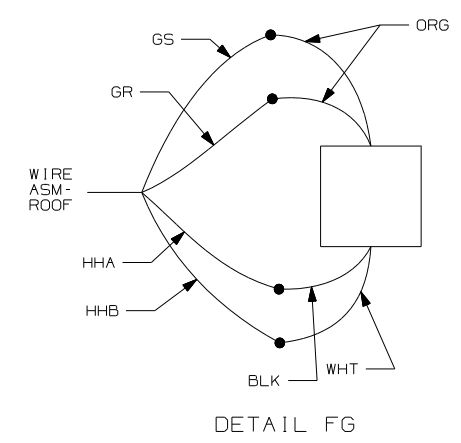
1 LAMPS TO BE MOUNTED WITH SWITCH OUTBOARD AND 75 ±20 FROM EDGE OF FLOOR.

FOR ELECTRICAL TORQUE SPECIFICATIONS SEE DWG NO. 128783-01-000

FOR ELECTRICAL CALLOUTS SEE DWG NO. 121339-01-000



- NOTES:
- 6 CUT AND REMOVE SHIPPING STRAPS.
 - 5 MOUNT GPS ANTENNA TO THE RIGHT OF THE SATELLITE AS SHOWN. SECURE CABLE WITH ROOF SEALANT.
 - 4 MOUNT GPS ANTENNA AS FAR TO THE REAR OF THE SATELLITE AS POSSIBLE. SECURE CABLE WITH ROOF SEALANT.
 - 3 SEE MANUFACTURER'S INSTALLATION FOR ADDITIONAL INFORMATION.
 - 2 SENSOR SUPPLIED WITH SATELLITE ASSEMBLY.
 - 1 WRAP BRACKET LEGS AROUND ANTENNA BASE.



FOR ELECTRICAL TORQUE SPECIFICATIONS SEE DWG NO. 128783-01-000

FOR ELECTRICAL CALLOUTS SEE DWG NO. 121339-01-000

- 48R SAT. SYS. IN-MOTION W/O RCVR.
- 480 SATELLITE DISH & ELEV. SENSOR
- 1D5 ENTERTAINMENT CTR/EXT W/CD
- 290 SOLAR PANEL-10 WATT
- 265 CODES/STANDARDS-CSA/CMVSS
- 1B1 CODES/STANDARDS USA

FIRST USED	04 S36GD
TITLE	DO NOT SCALE DRAWING
TITLE	WIRING INSTL-BODY, 12V
SHEET	7 PART NO 147414