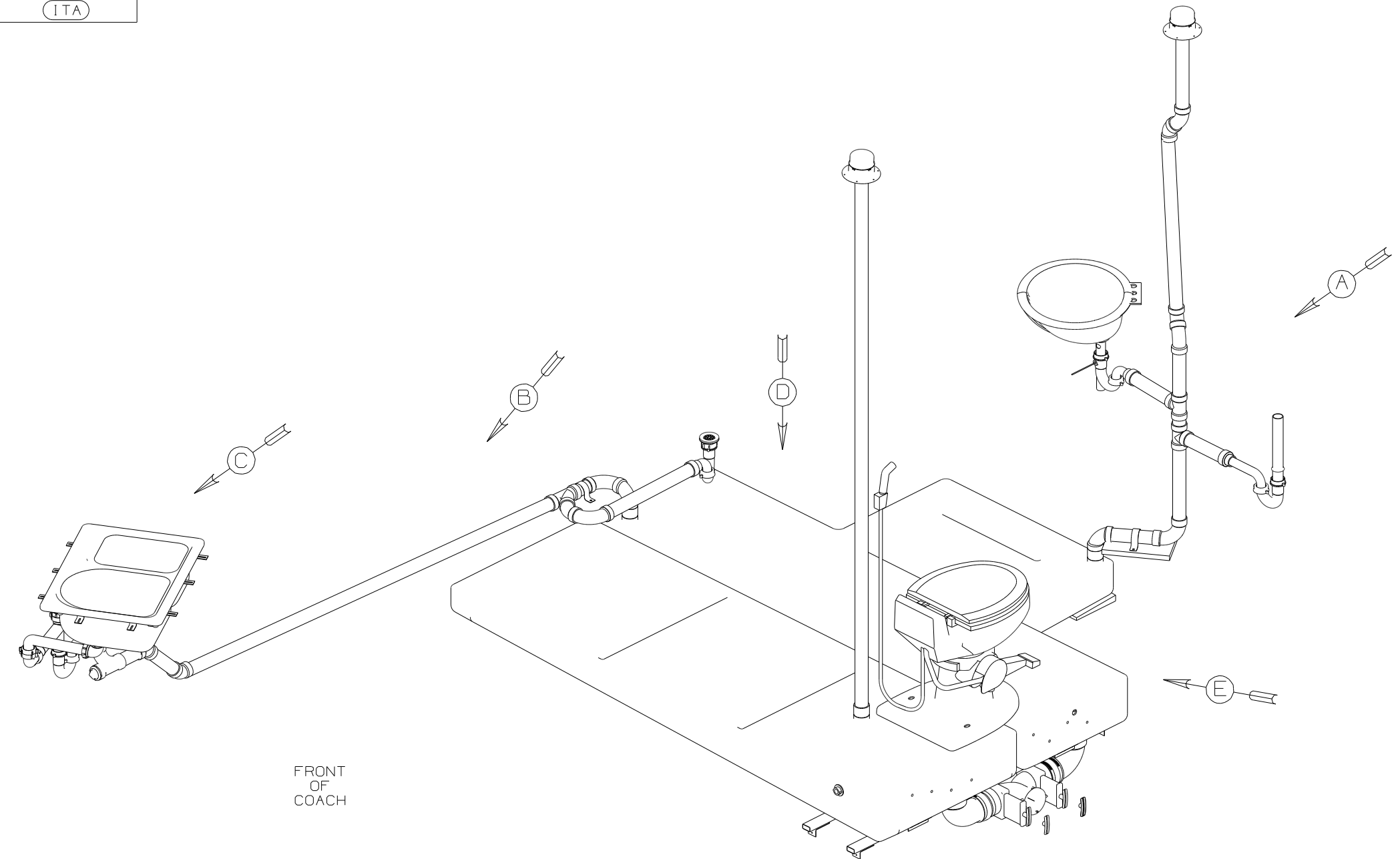


DWG NO	----
147022-01	(WIN)
147022-02	(ITA)

RELEASE	REV DATE	DWG NO
A		147022
REV ZONE	REVISION RECORD	DATE



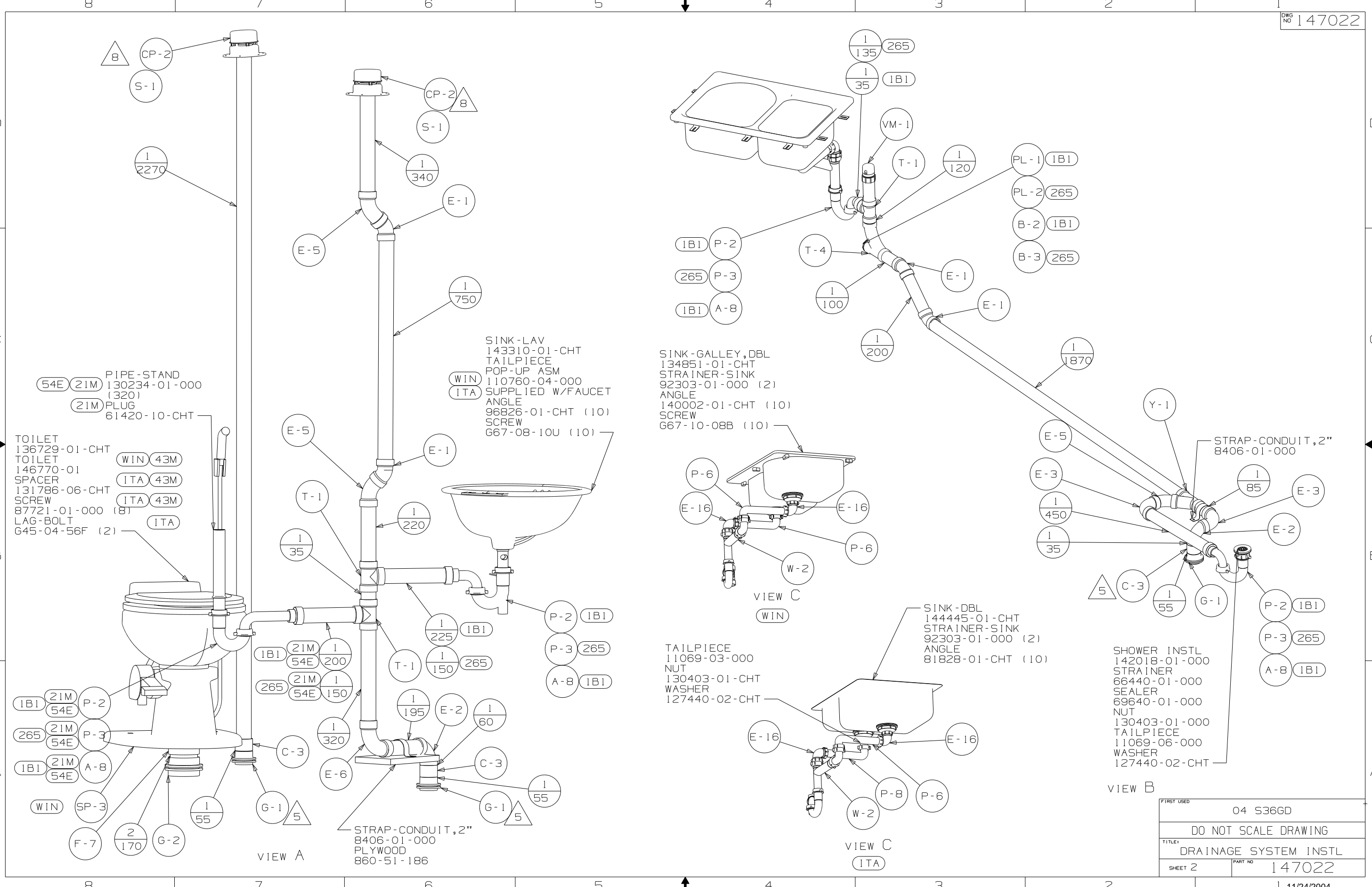
- (WIN) WINNEBAGO ONLY
- (ITA) ITASCA ONLY
- (1B1) CODES/STANDARDS-USA
- (265) CODES/STDS-CSA/CMVSS
- (54E) WASHER/DRYER
- (21M) WASHER/DRYER PREP
- (43M) TOILET PORCELAIN-ELONGATED

- 8 VENT PIPE MUST PROJECT 51 MIN AND 64 MAX. ABOVE ROOF FOR PROPER FIT AND FUNCTION.
7. SEE DWG 61607-01-000 FOR INSTL OF GROMMETS.
6. SEAL ALL AROUND SHOWER WITH SILICONE.
- 5 FASTEN TO BOTTOM OF UPPER FLOOR WITH BRACKET.
4. ALL EXTERIOR OPENINGS AROUND PIPE TO BE SEALED WITH 110744-01-000.
3. ALL PIPE AND FITTINGS TO BE ASSEMBLED WITH SOLVENT 4020-01-000 (US) 4020-02-000 (CAN).
2. SLOPE OF TRAP ARM MUST BE 6 PER 305 mm.
1. SLOPE OF HORIZONTAL PIPING TO BE 6 PER 305 mm.

NOTES:

(X-X)
FOR DRAINAGE CALLOUTS SEE DWG NO 116229-01-000

WINNEBAGO		COPYRIGHT 2004 WINNEBAGO INDUSTRIES, INC.	
DFT	ORIG. DATE	ALL DIMENSIONS ARE IN MILLIMETERS	
CHKR		MATERIAL:	
P.E.		UNSPECIFIED TOLERANCES ARE:	
M.E.	FIRST USED	WHOLE DIM (X)	: 3
DSNR	04 S36GD	ONE-PLACE (X.X)	:
		TWO-PLACE (X.XX)	:
		ANGLE	:
		THIRD ANGLE PROJECTION	
DO NOT SCALE DRAWING			
TITLE: DRAINAGE SYSTEM INSTL			
SHEET 1 OF 3	PART NO	147022	
REF: 142754 1 11/24/2004			



54E 21M PIPE- STAND
130234-01-000
(320)
21M PLUG
61420-10-CHT

TOILET
136729-01-CHT
TOILET
146770-01
SPACER
131786-06-CHT
SCREW
87721-01-000 (8)
LAG-BOLT
G45-04-56F (2)

21M P-2
54E
21M P-3
54E
21M A-8
54E
WIN SP-3
F-7
2 170
G-2
1 55
G-1
5

SINK-LAV
143310-01-CHT
TAILPIECE
POP-UP ASM
110760-04-000
SUPPLIED W/FAUCET
ANGLE
96826-01-CHT (10)
SCREW
G67-08-10U (10)

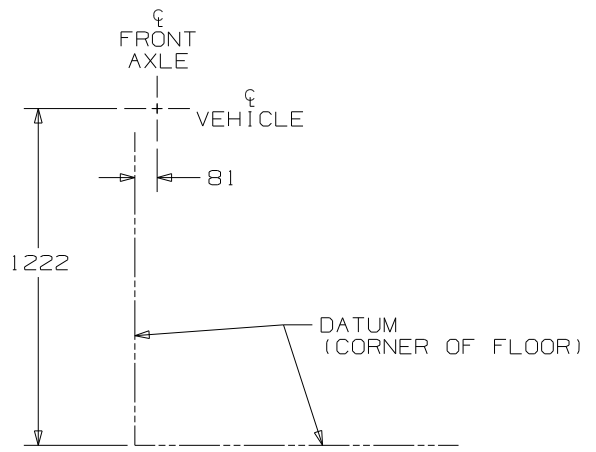
SINK-GALLEY, DBL
134851-01-CHT
STRAINER-SINK
92303-01-000 (2)
ANGLE
140002-01-CHT (10)
SCREW
G67-10-08B (10)

TAILPIECE
11069-03-000
NUT
130403-01-CHT
WASHER
127440-02-CHT

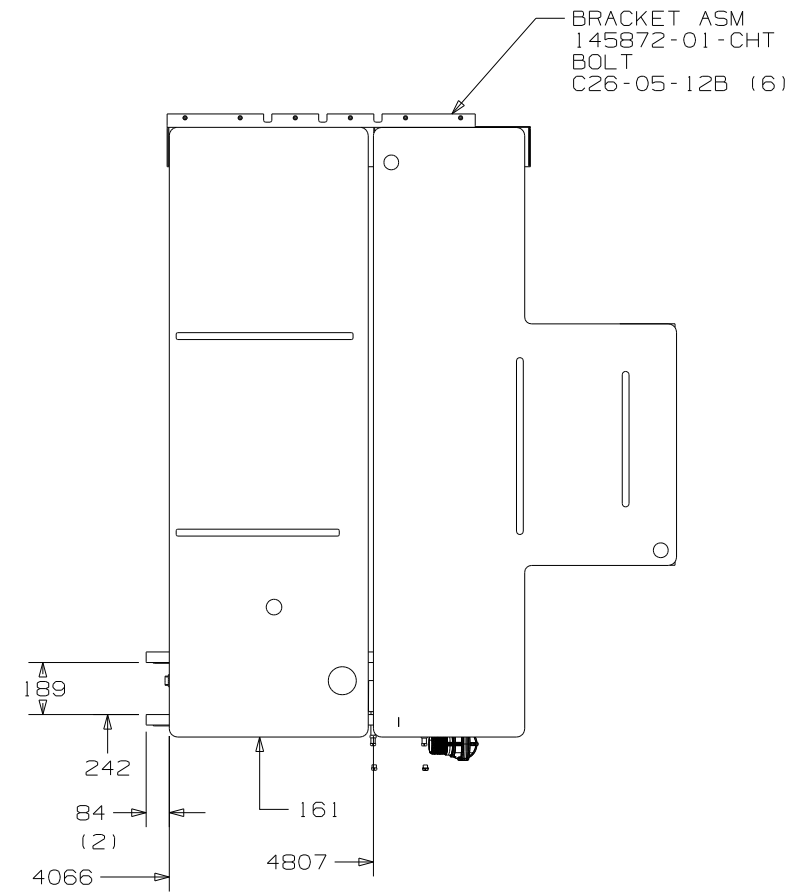
SINK-DBL
144445-01-CHT
STRAINER-SINK
92303-01-000 (2)
ANGLE
81828-01-CHT (10)

SHOWER INSTL
142018-01-000
STRAINER
66440-01-000
SEALER
69640-01-000
NUT
130403-01-000
TAILPIECE
11069-06-000
WASHER
127440-02-CHT

FIRST USED	04 S36GD
DO NOT SCALE DRAWING	
TITLE	DRAINAGE SYSTEM INSTL
SHEET 2	PART NO 147022



VIEW D



TANK - HOLDING
132407-15-000

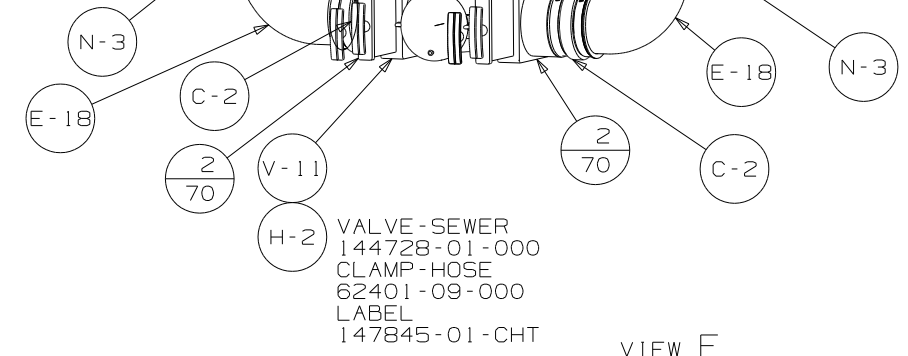
TANK - HOLDING
132408-08-000

PLATFORM - HOLDING TANK
126714-27-000

SUPPORT ASM
133839-03-CHT (2)
SCREW
G39-10-20T (2)

ANGLE FORMED
132871-03-CHT (2)
SCREW
G39-10-20T (2)
G39-10-12T (2)

BRACKET - DRAINAGE TANK
146080-01-CHT (2)

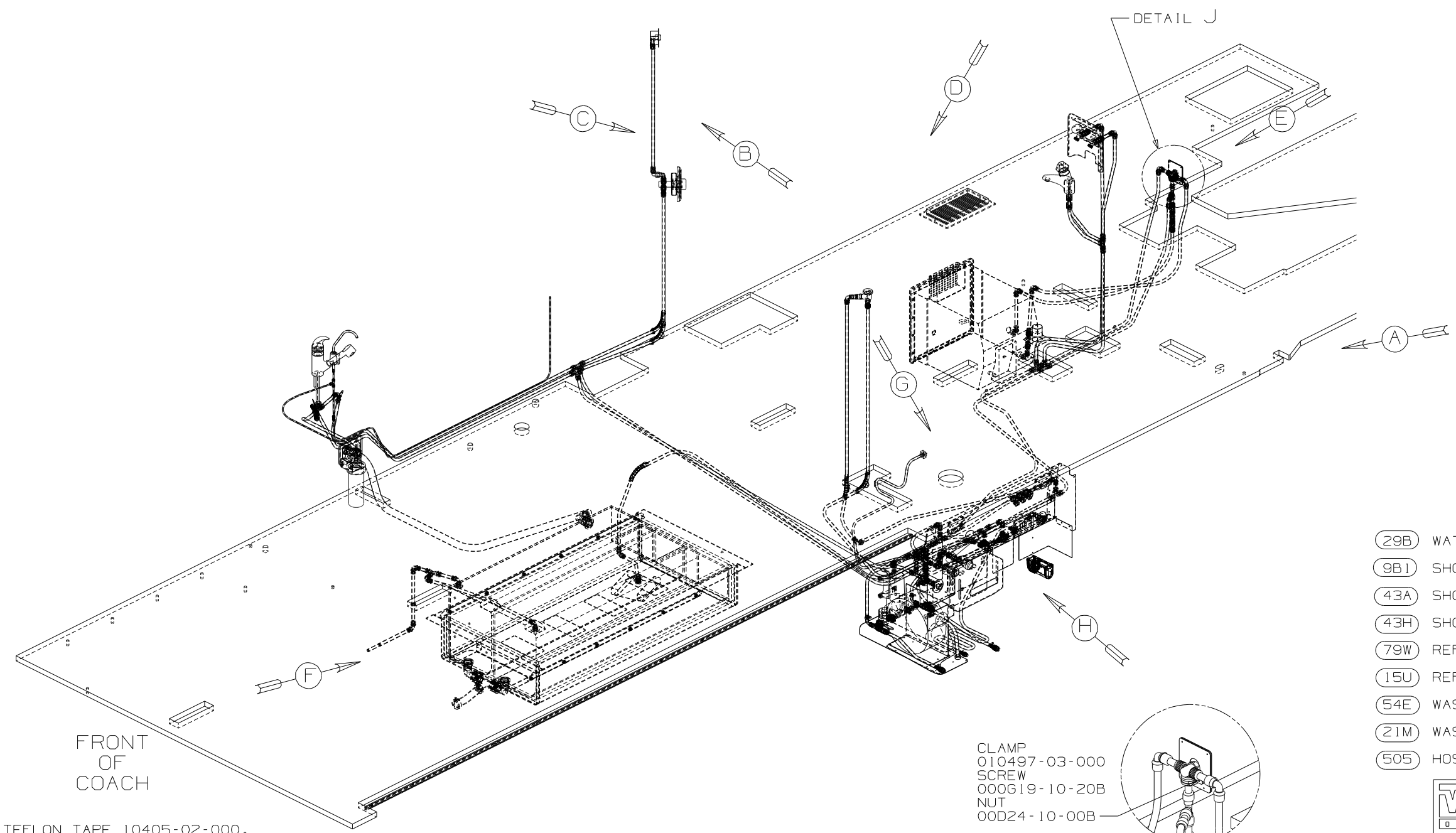


VIEW E

FIRST USED	04 S36GD
TITLE	DO NOT SCALE DRAWING DRAINAGE SYSTEM INSTL
SHEET 3	PART NO 147022

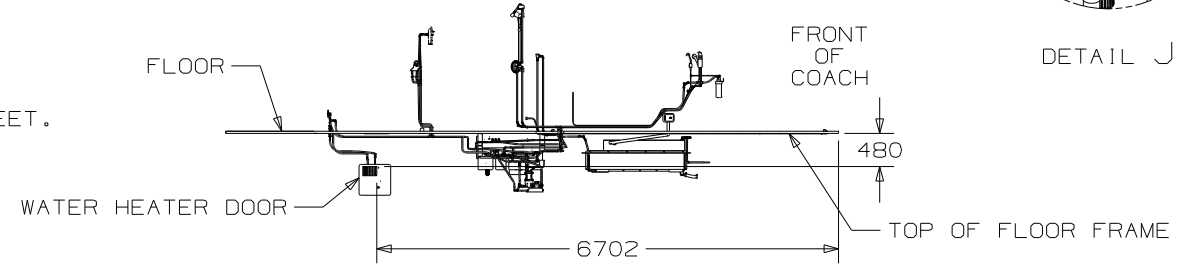
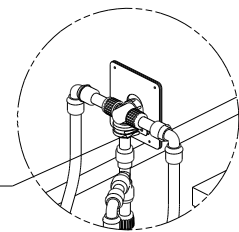
DWG NO	----
147023-01	(WIN)
147023-02	(ITA)

RELEASE	REV DATE	DWG NO
A		147023
REV ZONE	REVISION RECORD	DATE
		DFTR-0R16



- (29B) WATER PURIFIER
- (9B1) SHOWER PACKAGE
- (43A) SHOWER HEAD-FIXED
- (43H) SHOWER HEAD-HAND HELD
- (79W) REFRIGERATOR-4 DOOR
- (15U) REFRIGERATOR/FRZR W-ICEMAKER
- (54E) WASHER/DRYER
- (21M) WASHER/DRYER PREP
- (505) HOSE REEL-WATER,POWERED

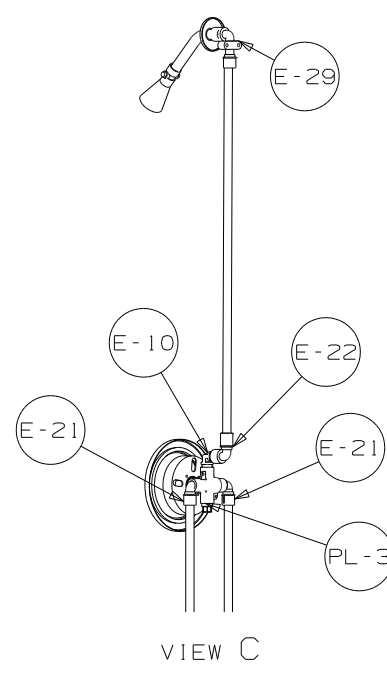
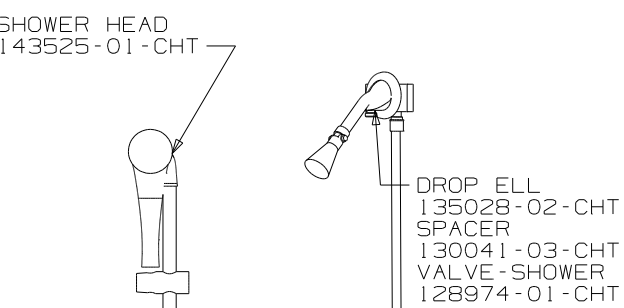
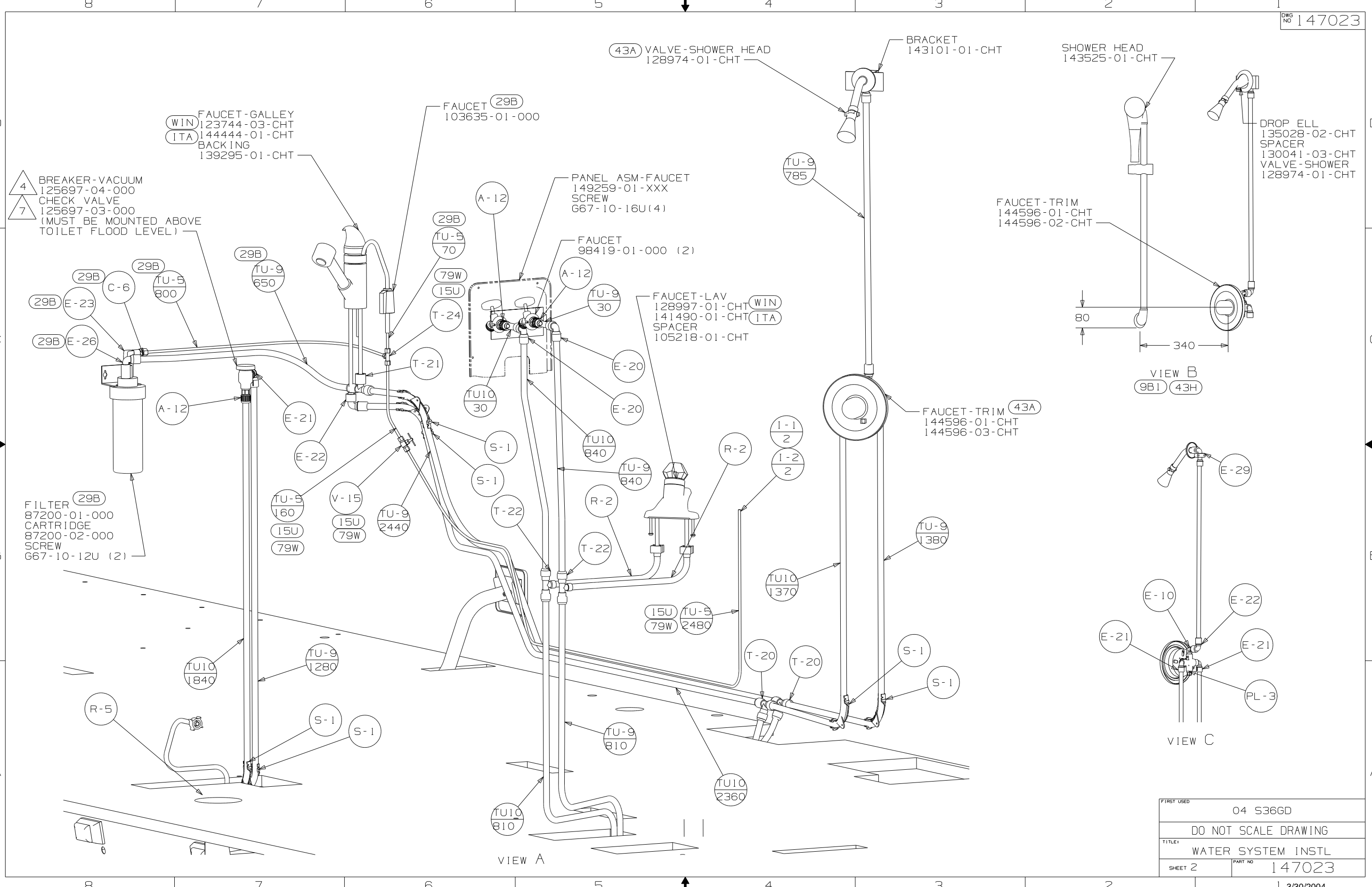
CLAMP
010497-03-000
SCREW
000G19-10-20B
NUT
00D24-10-00B



- NOTES:
7. ADD TEFLON TAPE 10405-02-000.
 6. ADD TEFLON TAPE 10405-01-000.
 5. ADD TEFLON TAPE 10405-03-000.
 4. FLUSHING SYSTEM REQUIRES 125697-06-000 INSTRUCTION SHEET.
3. ALL TUBING TO BE SECURED AT 1200 INTERVALS MAXIMUM WITH CLAMP 10495-01-000 OR CLIP 91951-01-000 AND SCREW G67-10-12B.
 2. TUBING TO BE INSTALLED WITH SUFFICIENT SLOPE TO PROVIDE DRAINAGE TO NEAREST VALVE.
 1. PLASTIC FITTINGS TO BE SEALED WITH SEALANT 84456-01-000.

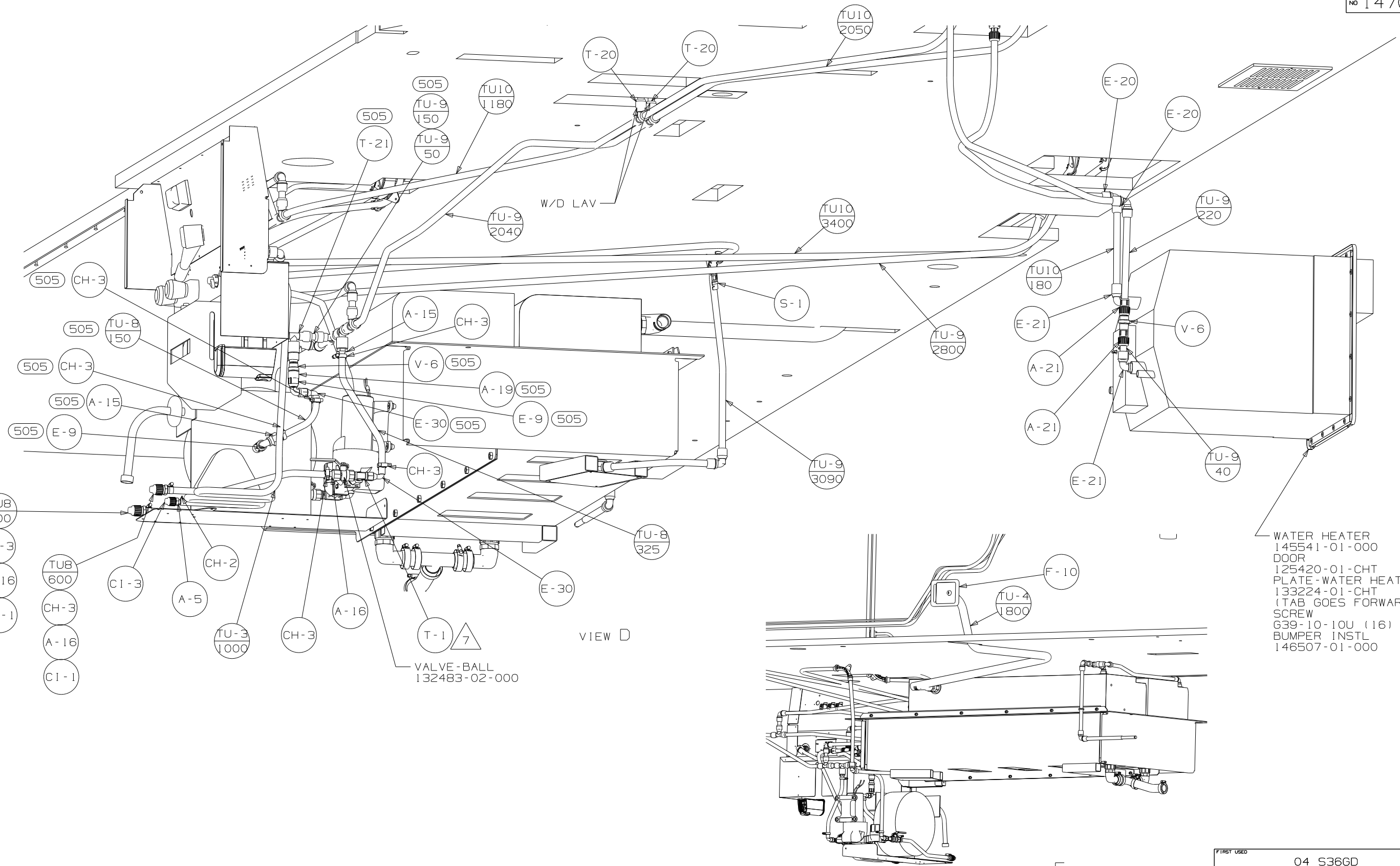
(X-X)
FOR WATER CALLOUTS SEE DWG NO 116230-01-000

WINNEBAGO		COPYRIGHT 2004 WINNEBAGO INDUSTRIES, INC.	
DFTR	ORIG. DATE	ALL DIMENSIONS ARE IN MILLIMETERS	
CHKR		FIRST USED	
P.E.		04 S36GD	
M.E.		UNSPECIFIED TOLERANCES ARE:	
DSNR		MATERIAL:	
		WHOLE DIM (X)	: 7
		ONE-PLACE (X.X)	:
		TWO-PLACE (X.XX)	:
		ANGLE	:
THIRD ANGLE PROJECTION		DO NOT SCALE DRAWING	
		TITLE: WATER SYSTEM INSTL	
SHEET 1 OF 4		PART NO 147023	



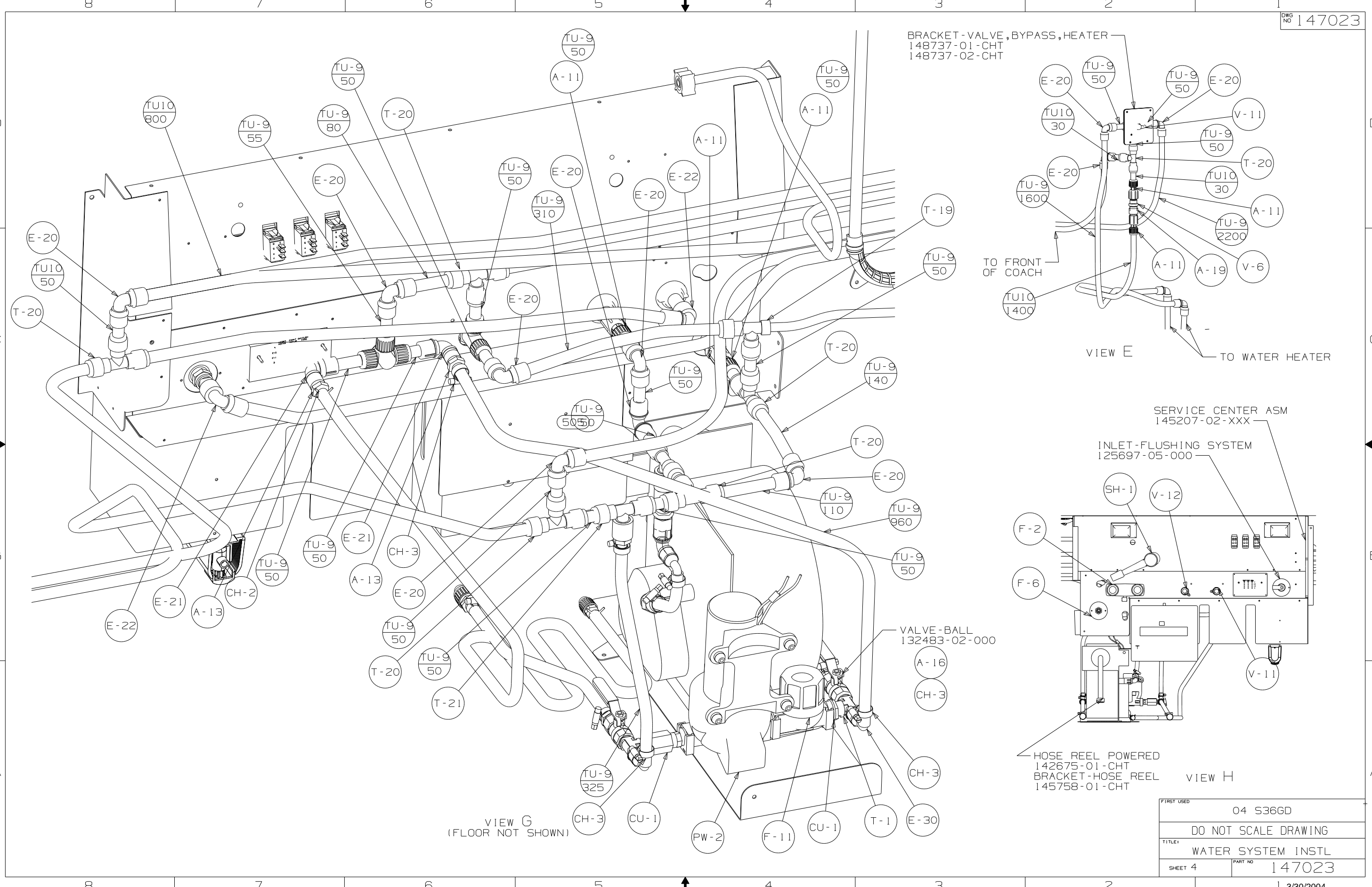
VIEW A

FIRST USED	04 S36GD
TITLE	DO NOT SCALE DRAWING
SHEET 2	PART NO 147023
1 3/30/2004	

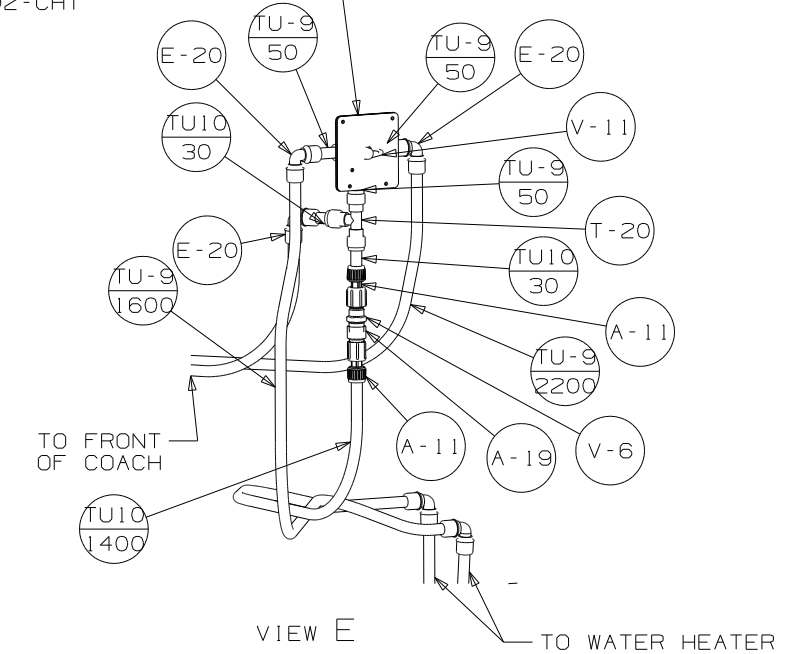


WATER HEATER
 145541-01-000
 DOOR
 125420-01-CHT
 PLATE-WATER HEATER
 133224-01-CHT
 (TAB GOES FORWARD)
 SCREW
 G39-10-10U (16)
 BUMPER INSTL
 146507-01-000

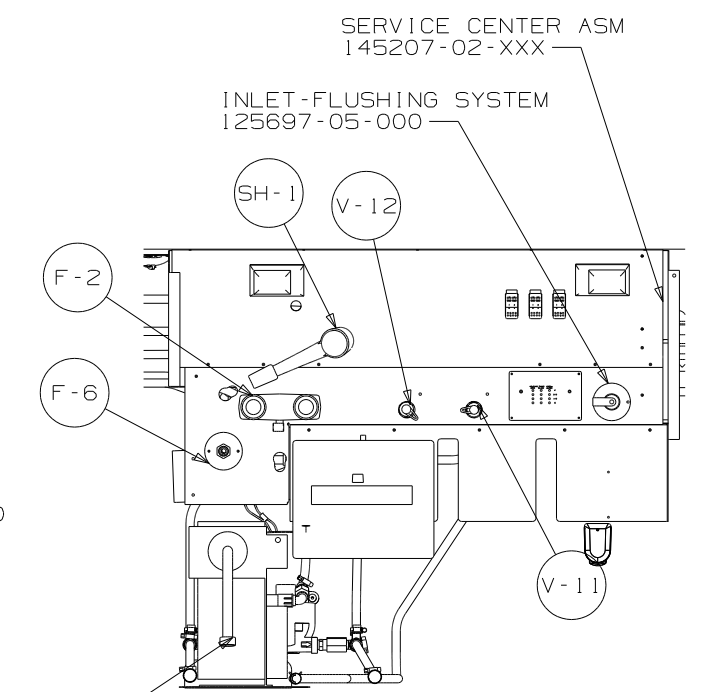
FIRST USED	04 S36GD
TITLE	DO NOT SCALE DRAWING
TITLE	WATER SYSTEM INSTL
SHEET 3	PART NO 147023



BRACKET - VALVE, BYPASS, HEATER
 148737-01-CHT
 148737-02-CHT



VIEW E



VIEW H

VIEW G
 (FLOOR NOT SHOWN)

HOSE REEL POWERED
 142675-01-CHT
 BRACKET-HOSE REEL
 145758-01-CHT

VALVE-BALL
 132483-02-000

SERVICE CENTER ASM
 145207-02-XXX
 INLET-FLUSHING SYSTEM
 125697-05-000

FIRST USED	04 S36GD
TITLE	DO NOT SCALE DRAWING
TITLE	WATER SYSTEM INSTL
SHEET 4	PART NO 147023