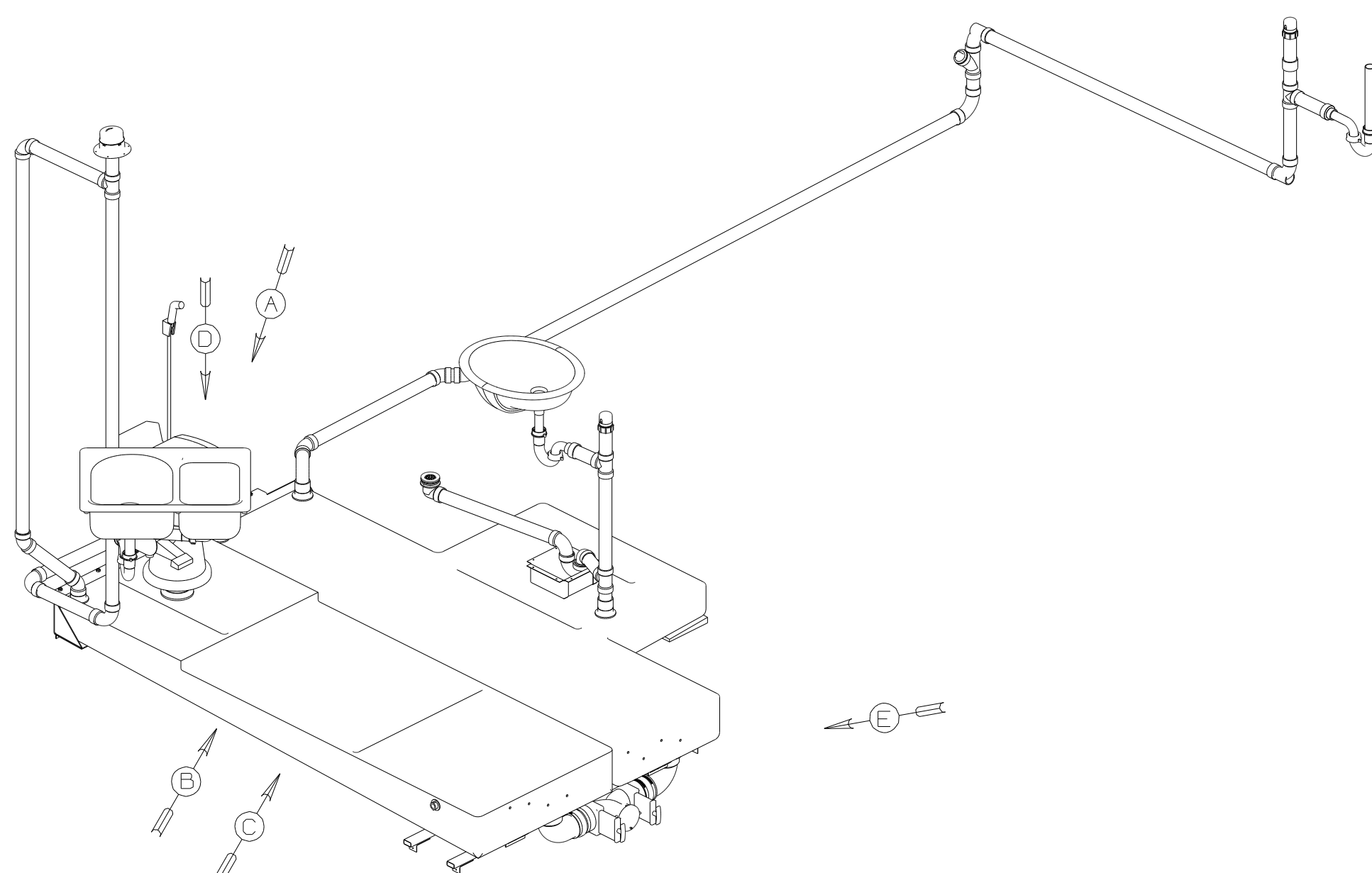


DWG NO	--
147641-01	(WIN)
147641-02	(ITA)

RELEASE	REV DATE	DWG NO
A		147641
REV ZONE	REVISION RECORD	DATE
		DFTR-ORIG



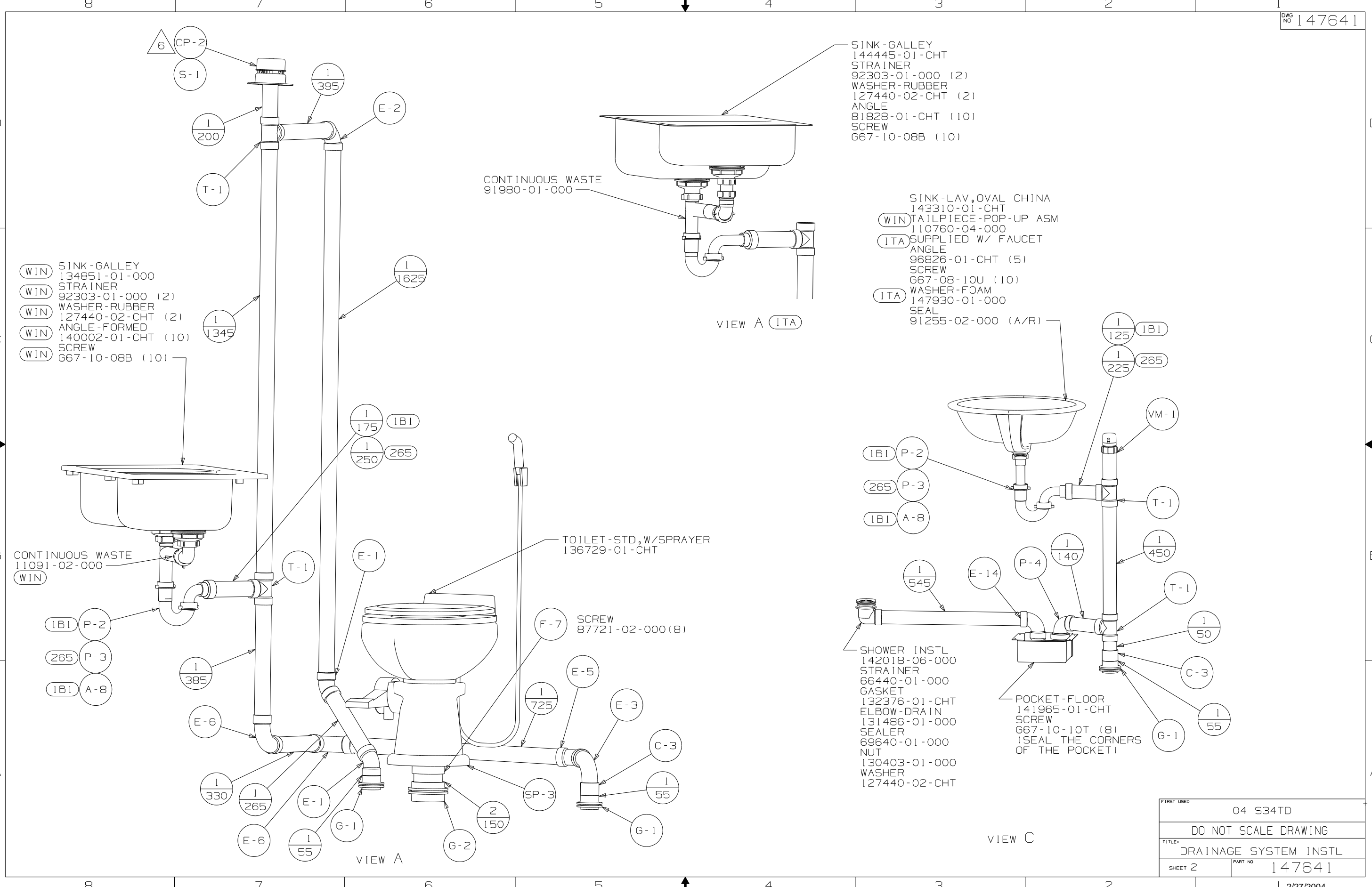
- (WIN) WINNEBAGO ONLY
- (ITA) ITASCA ONLY
- (IB1) CODES/STANDARDS-USA
- (265) CODES/STDS-CSA/CMVSS
- (21M) WASHER/DRYER PREP
- (54E) WASHER/DRYER
- (43M) TOILET PORCELAIN-ELONGATED

- 6 VENT PIPE MUST PROJECT 51 MIN AND 64 MAX ABOVE ROOF FOR PROPER FIT AND FUNCTION.
5. SEAL AROUND SHOWER WITH SILICONE.
  4. ALL EXTERIOR OPENINGS AROUND PIPE TO BE SEALED WITH 110744-01-000.
  3. ALL PIPE AND FITTINGS TO BE ASSEMBLED WITH SOLVENT 4020-01-000 (USA) 4020-02-000 (CSA).
  2. SLOPE OF TRAP ARM MUST BE 6 PER 305 mm.
  1. SLOPE OF HORIZONTAL PIPING TO BE MIN 6 PER 305 mm.

NOTES:

<b>WINNEBAGO</b>		COPYRIGHT 2004 WINNEBAGO INDUSTRIES, INC.	
DFTR	ORIG. DATE	ALL DIMENSIONS ARE IN MILLIMETERS	
CHKR		FIRST USED	
P.E.		04 S34TD	
M.E.		UNSPECIFIED TOLERANCES ARE:	
DSNR		MATERIAL:	
		WHOLE DIM (X) :	3
		ONE-PLACE (X.X) :	
		TWO-PLACE (X.XX) :	
		ANGLE :	
THIRD ANGLE PROJECTION		DO NOT SCALE DRAWING	
TITLE:		DRAINAGE SYSTEM INSTL	
SHEET 1 OF 4	PART NO	147641	

(X-X)  
FOR  
DRAINAGE  
CALLOUTS  
SEE DWG NO  
116229-01-000



- SINK - GALLEY  
144445-01-CHT
- STRAINER  
92303-01-000 (2)
- WASHER - RUBBER  
127440-02-CHT (2)
- ANGLE  
81828-01-CHT (10)
- SCREW  
G67-10-08B (10)

- SINK - LAV, OVAL CHINA  
143310-01-CHT
- (WIN) TAILPIECE - POP-UP ASM  
110760-04-000
- (ITA) SUPPLIED W/ FAUCET
- ANGLE  
96826-01-CHT (5)
- SCREW  
G67-08-10U (10)
- (ITA) WASHER - FOAM  
147930-01-000
- SEAL  
91255-02-000 (A/R)

- (WIN) SINK - GALLEY  
134851-01-000
- (WIN) STRAINER  
92303-01-000 (2)
- (WIN) WASHER - RUBBER  
127440-02-CHT (2)
- (WIN) ANGLE - FORMED  
140002-01-CHT (10)
- (WIN) SCREW  
G67-10-08B (10)

- CONTINUOUS WASTE  
11091-02-000
- (WIN)

- (1B1) P-2
- (265) P-3
- (1B1) A-8

TOILET - STD, W/SPRAYER  
136729-01-CHT

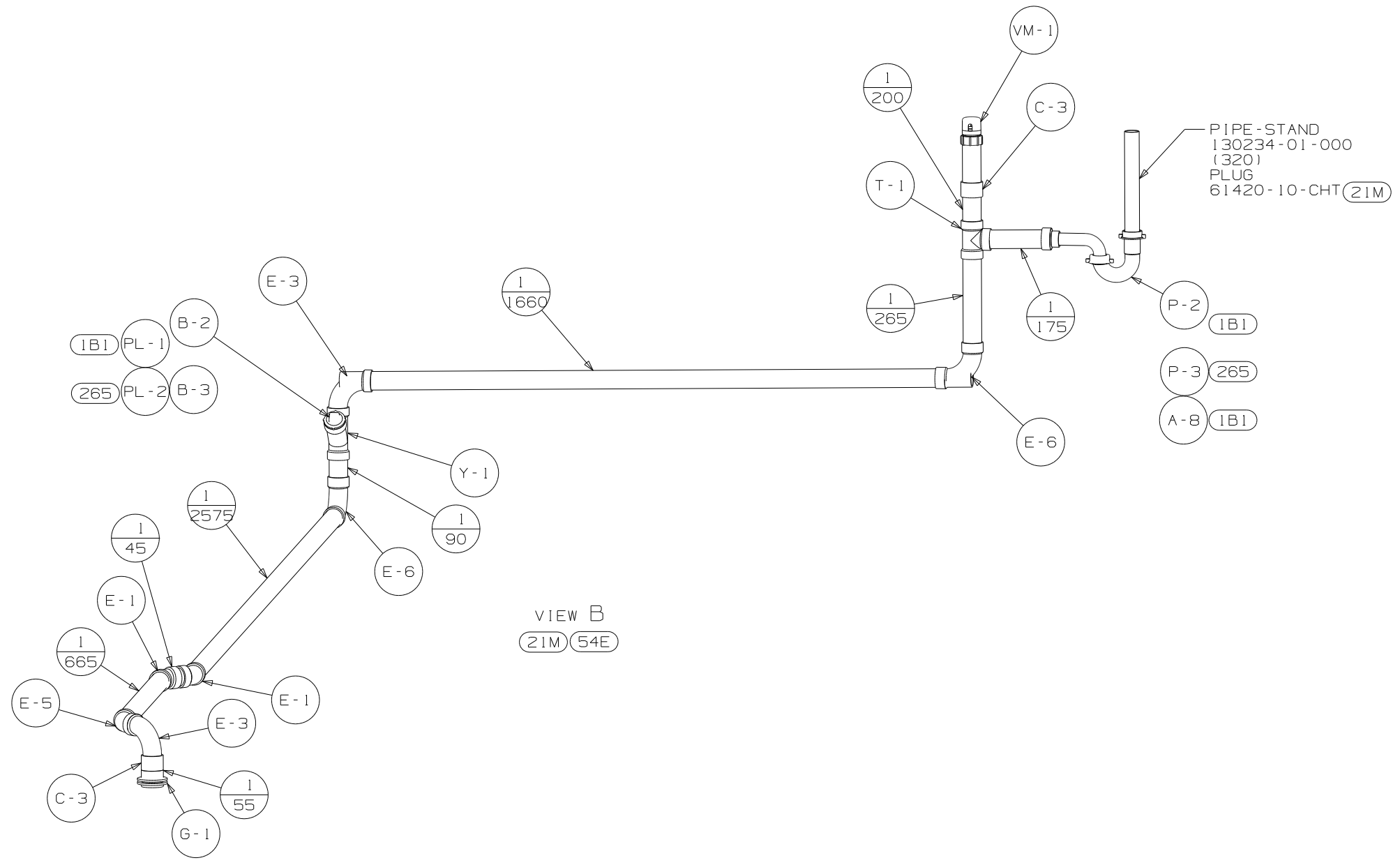
(F-7) SCREW  
87721-02-000 (8)

- SHOWER INSTL  
142018-06-000
- STRAINER  
66440-01-000
- GASKET  
132376-01-CHT
- ELBOW - DRAIN  
131486-01-000
- SEALER  
69640-01-000
- NUT  
130403-01-000
- WASHER  
127440-02-CHT

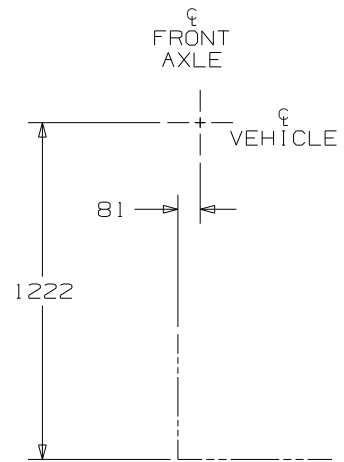
POCKET - FLOOR  
141965-01-CHT

SCREW  
G67-10-10T (8)  
(SEAL THE CORNERS  
OF THE POCKET)

FIRST USED	04 S34TD
TITLE	DO NOT SCALE DRAWING
	DRAINAGE SYSTEM INSTL
SHEET 2	PART NO 147641



FIRST USED	04 S34TD
DO NOT SCALE DRAWING	
TITLE	DRAINAGE SYSTEM INSTL
SHEET 3	PART NO 147641



BRACKET ASM  
145872-01-CHT  
BOLT  
C26-05-12B (6)

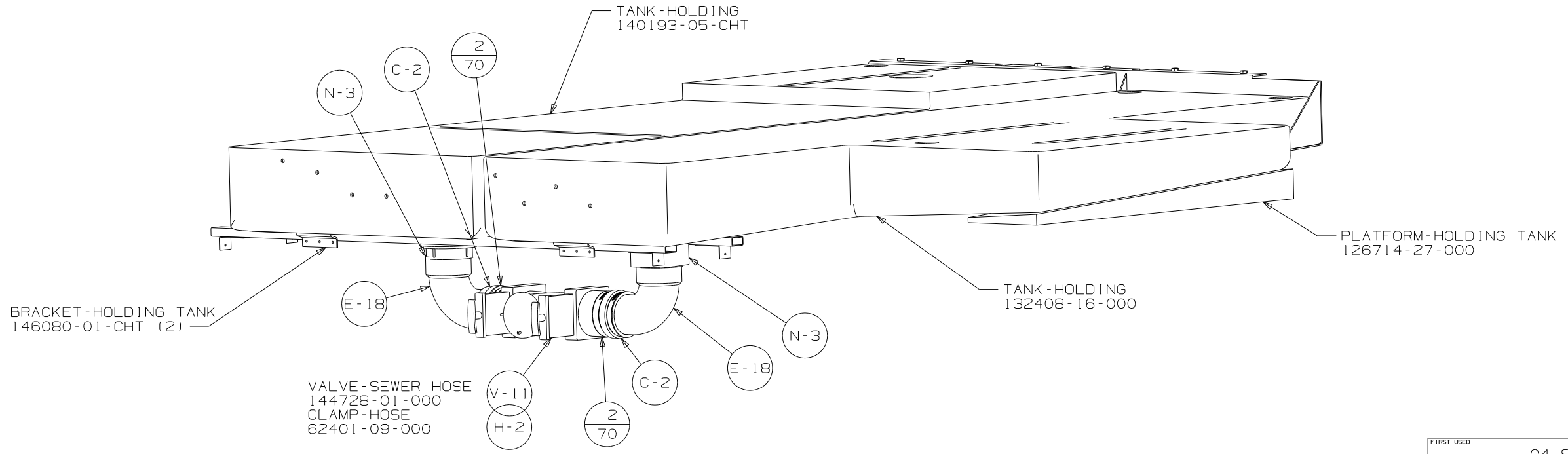
SUPPORT ASM-HOLDING TANK  
133839-03-CHT (2)  
SCREW  
G39-10-20T (2)

161

3562

4303

VIEW D

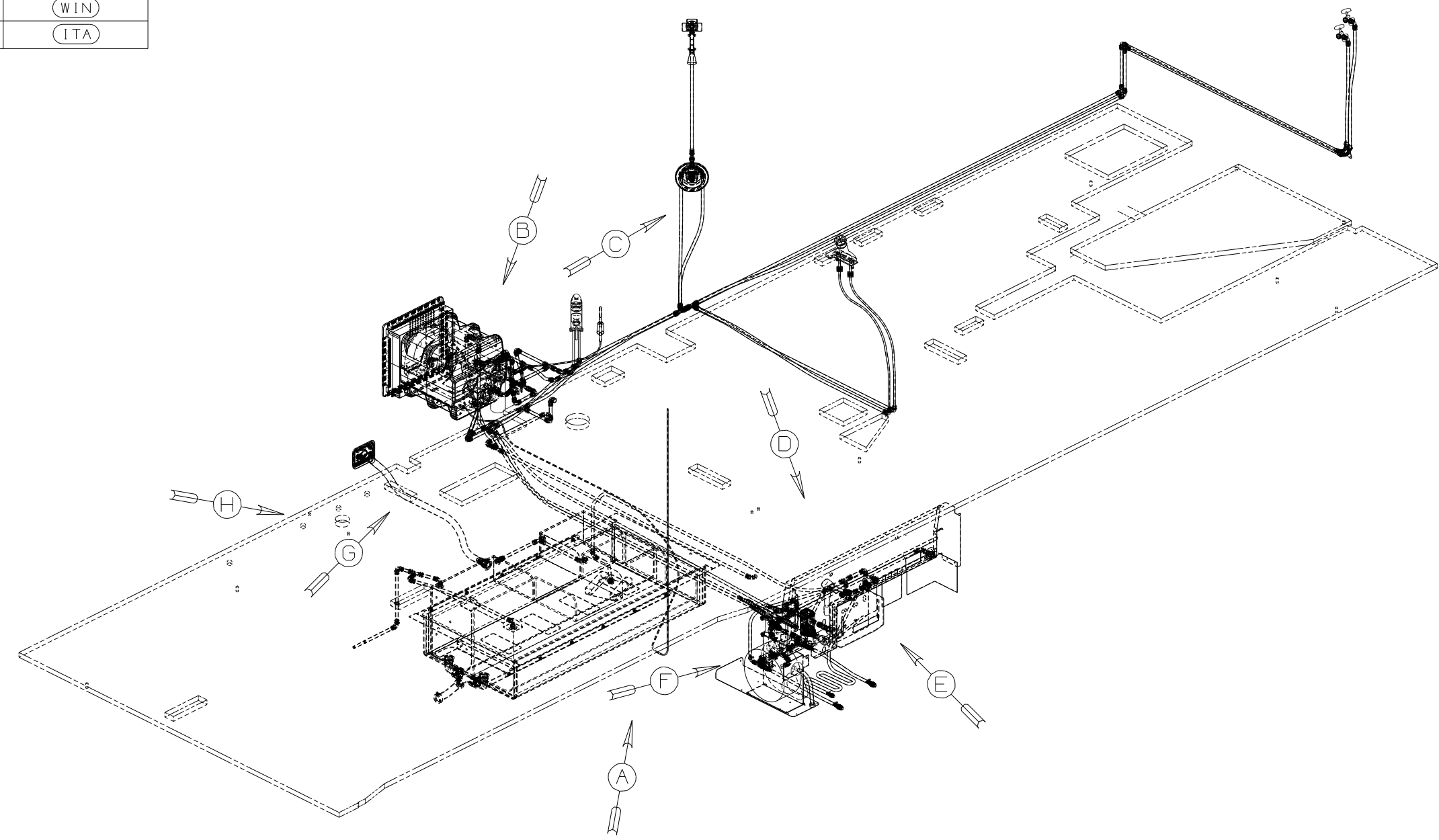


VIEW E

FIRST USED	04 S34TD
TITLE	DO NOT SCALE DRAWING
SHEET 4	PART NO 147641
1 2/27/2004	

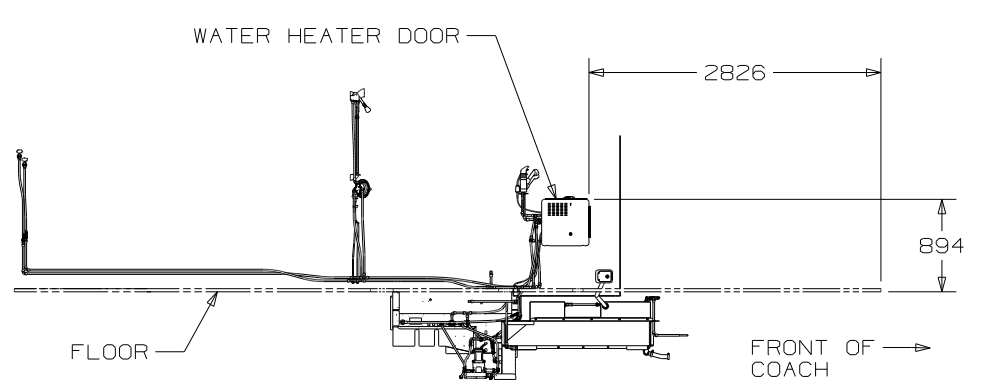
DWG NO	----
147640-01	(WIN)
147640-02	(ITA)

RELEASE	REV DATE	DWG NO
A		147640
REV ZONE	REVISION RECORD	DATE
		DFTR-0R16



- (WIN) WINNEBAGO ONLY
- (ITA) ITASCA ONLY
- (29B) WATER PURIFIER
- (43A) SHOWER HEAD-FIXED
- (43H) SHOWER HEAD-HAND HELD
- (54E) WASHER/DRYER
- (21M) WASHER/DRYER PREP
- (505) HOSE REEL - POWERED
- (15U) REFRIGERATOR/FRZR/W- ICEMAKER
- (79W) REFRIGERATOR-4 DOOR
- (53E) WINTERIZATION PKG
- (1B2) WTR HTR-10 GAL/LP GAS/MTRRAID

- NOTES:
7. ADD TEFLON TAPE 10405-03-000.
  6. ADD TEFLON TAPE 10405-01-000.
  5. ADD TEFLON TAPE 10405-02-000.
  4. FLUSHING SYSTEM REQUIRES 125697-06-000 INSTRUCTION SHEET.
3. ALL TUBING TO BE SECURED AT 1200 INTERVALS MAXIMUM WITH CLAMP 10495-01-000 OR CLIP 9151-01-000 AND SCREW G67-10-12B.
  2. TUBING TO BE INSTALLED WITH SUFFICIENT SLOPE TO PROVIDE DRAINAGE TO NEAREST VALVE.
  1. PLASTIC FITTINGS TO BE SEALED WITH SEALANT 84456-01-000.



(X-X)  
FOR WATER CALLOUTS SEE DWG NO 116230-01-000

<b>WINNEBAGO</b>		COPYRIGHT 2004 WINNEBAGO INDUSTRIES, INC.	
DFTR	ORIG. DATE	ALL DIMENSIONS ARE IN MILLIMETERS	
CHKR		FIRST USED	
P.E.		04 S34TD	
M.E.		UNSPECIFIED TOLERANCES ARE:	
DSNR		WHOLE DIM (X) : 7	
		ONE-PLACE (X.X) : 1.5	
		TWO-PLACE (X.XX) : 0.50	
		ANGLE : 1°	
THIRD ANGLE PROJECTION		MATERIAL:	
DO NOT SCALE DRAWING			
TITLE: WATER SYSTEM INSTL			
SHEET 1 OF 4		PART NO 147640	

BRACKET-SHOWER HEAD  
143101-01-CHT

VALVE-SHOWER HEAD  
128974-01-CHT

VALVE-SHOWER HEAD  
128974-01-CHT

DROP-ELL  
135028-02-CHT  
SPACER  
130041-03-CHT

SHOWER-HAND HELD  
143525-01-CHT

(29B) FAUCET  
103635-01-000

FAUCET-GALLEY  
WIN 123744-03-CHT  
ITA 144444-01-CHT  
BACK ING  
WIN 139295-01-CHT  
ITA 137079-03-CHT

FAUCET-VALVE (43A)  
144596-01-CHT  
FAUCET-TRIM KIT  
144596-03-CHT

FAUCET-VALVE  
144596-01-CHT  
FAUCET-TRIM KIT  
144596-02-CHT

FAUCET (54E) (21M)  
98419-01-000 (2)

VIEW C

VIEW C  
(43H)

FAUCET-LAV (ITA) (WIN)  
128997-01-CHT  
141490-01-CHT  
SPACER  
105218-01-CHT

(1-1) 15U  
2 79W  
(1-2) 15U  
2 79W

VIEW A

FILTER (29B)  
87200-01-000  
CARTRIDGE  
87200-02-000  
SCREW  
G67-10-12U (2)

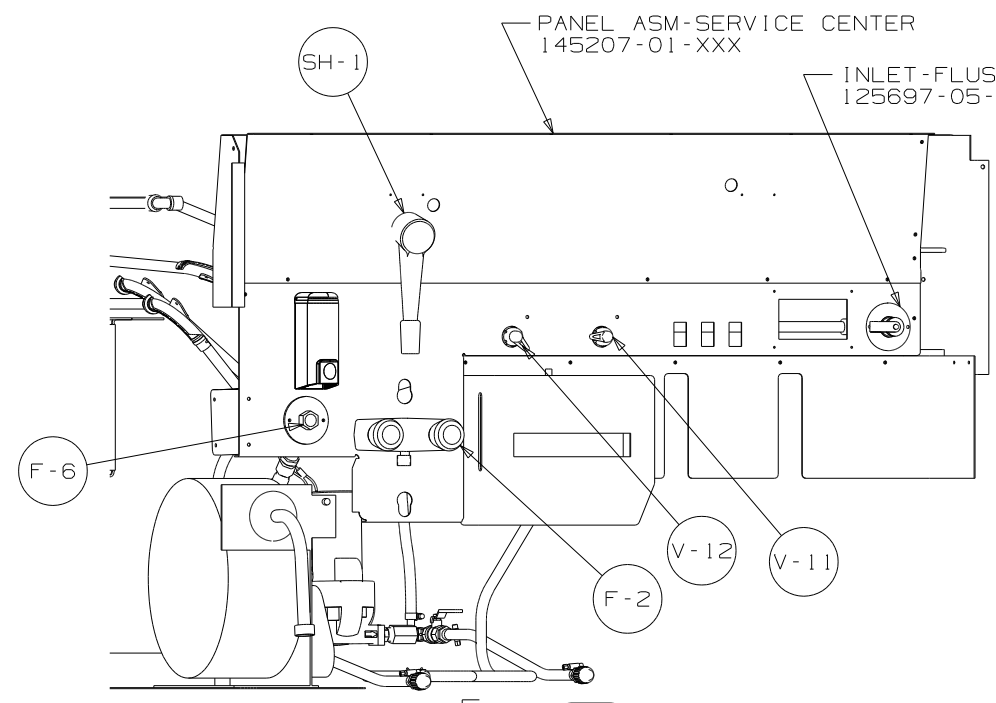
BREAKER-VACUUM  
125697-04-000  
VALVE  
125697-03-000  
(MUST BE MOUNTED ABOVE  
TOILET FLOOD LEVEL)

VIEW B

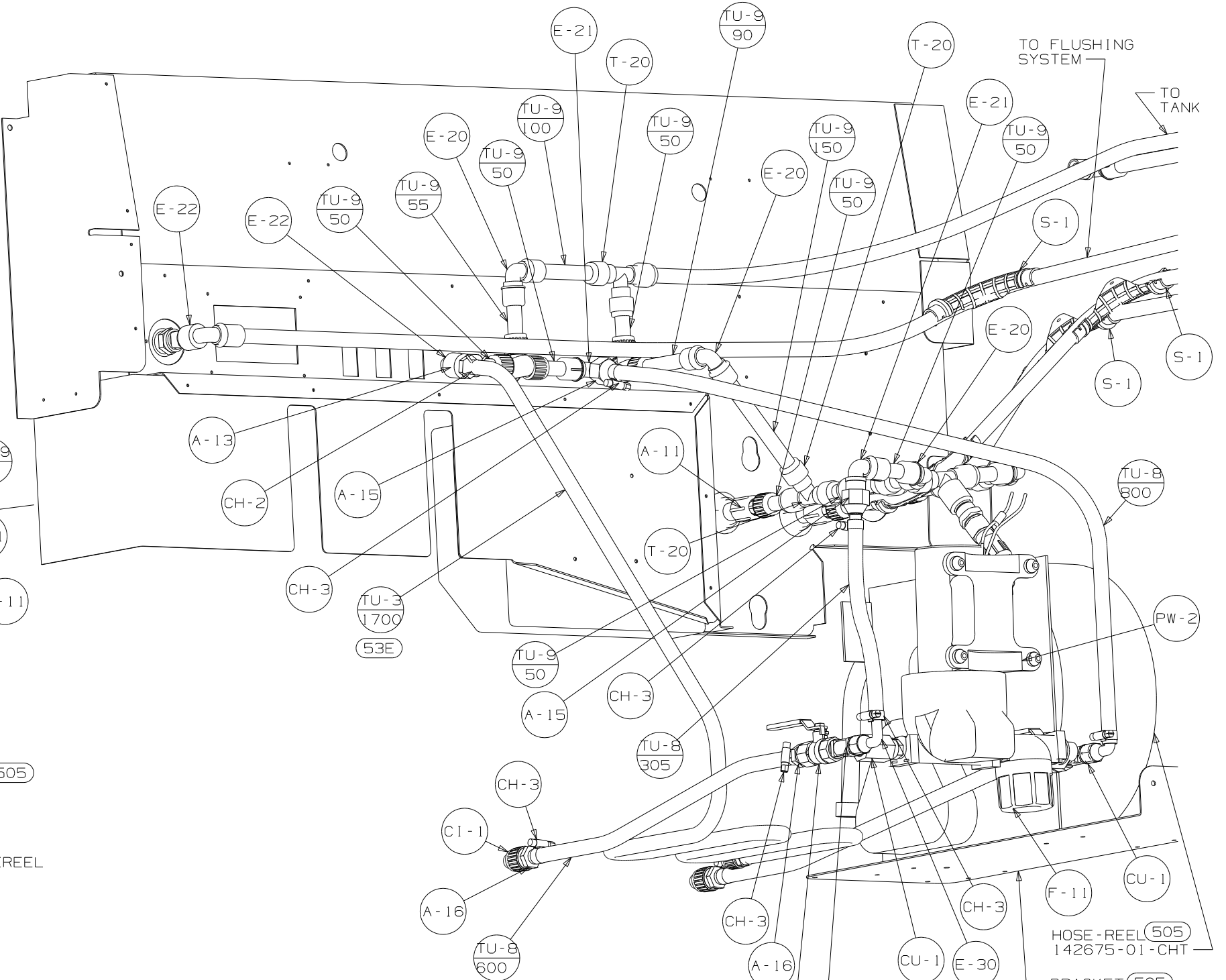
FIRST USED	04 S34TD
TITLE:	DO NOT SCALE DRAWING
	WATER SYSTEM INSTL
SHEET 2	PART NO 147640

PANEL ASM-SERVICE CENTER  
145207-01-XXX

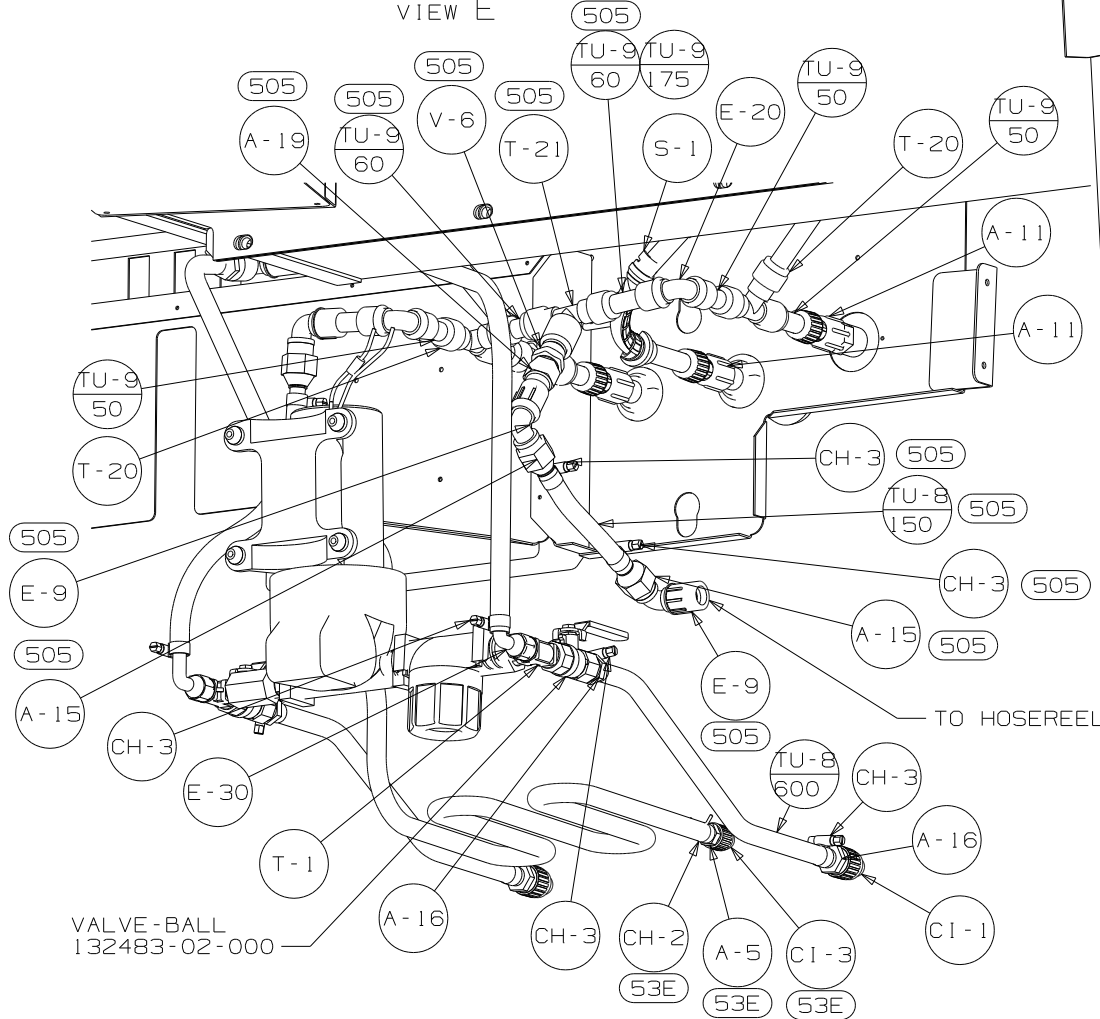
INLET-FLUSHING  
125697-05-000



VIEW E



VIEW D

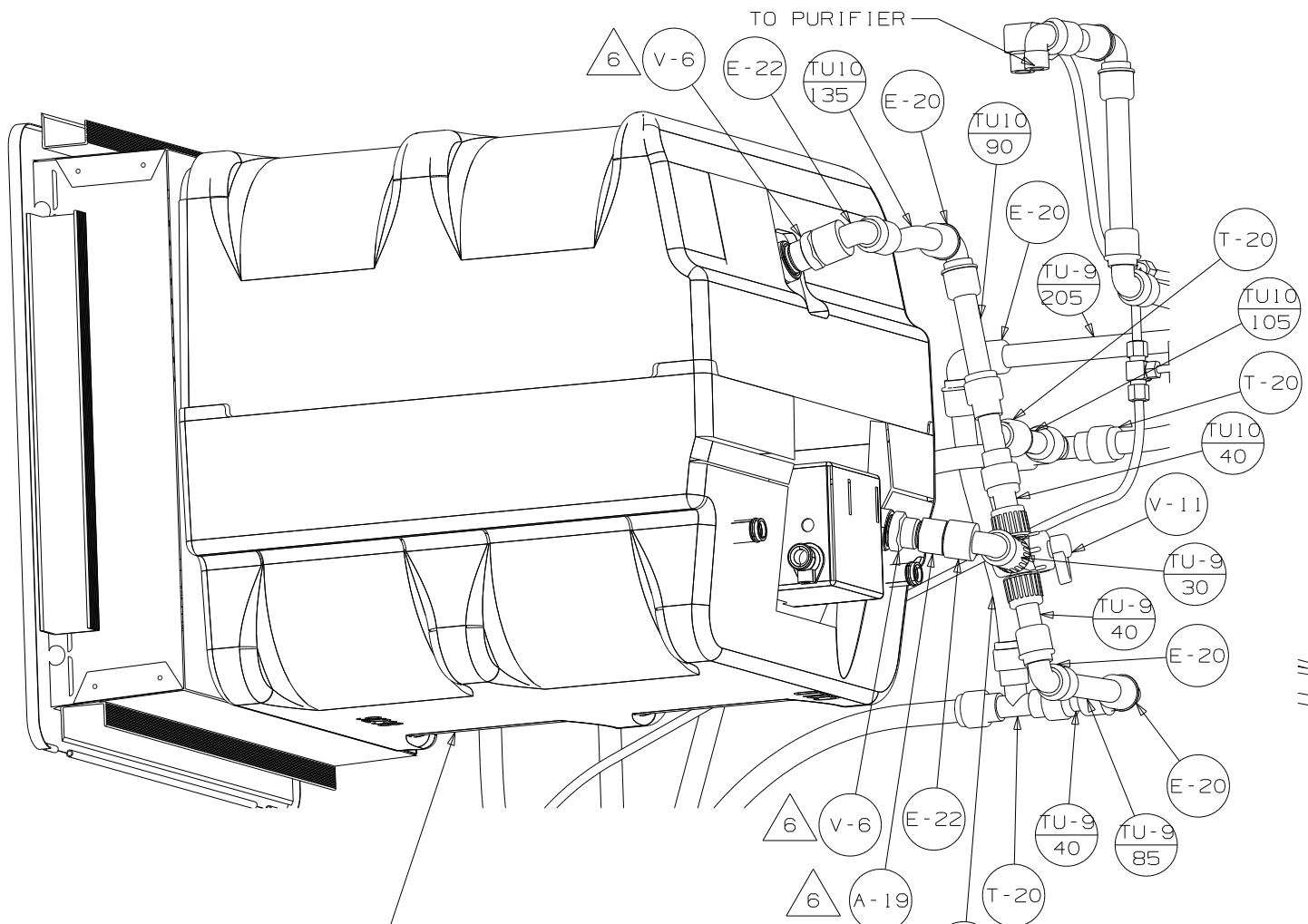


VIEW F  
(HOSEREEL & BRACKET REMOVED)

VALVE-BALL  
132483-02-000

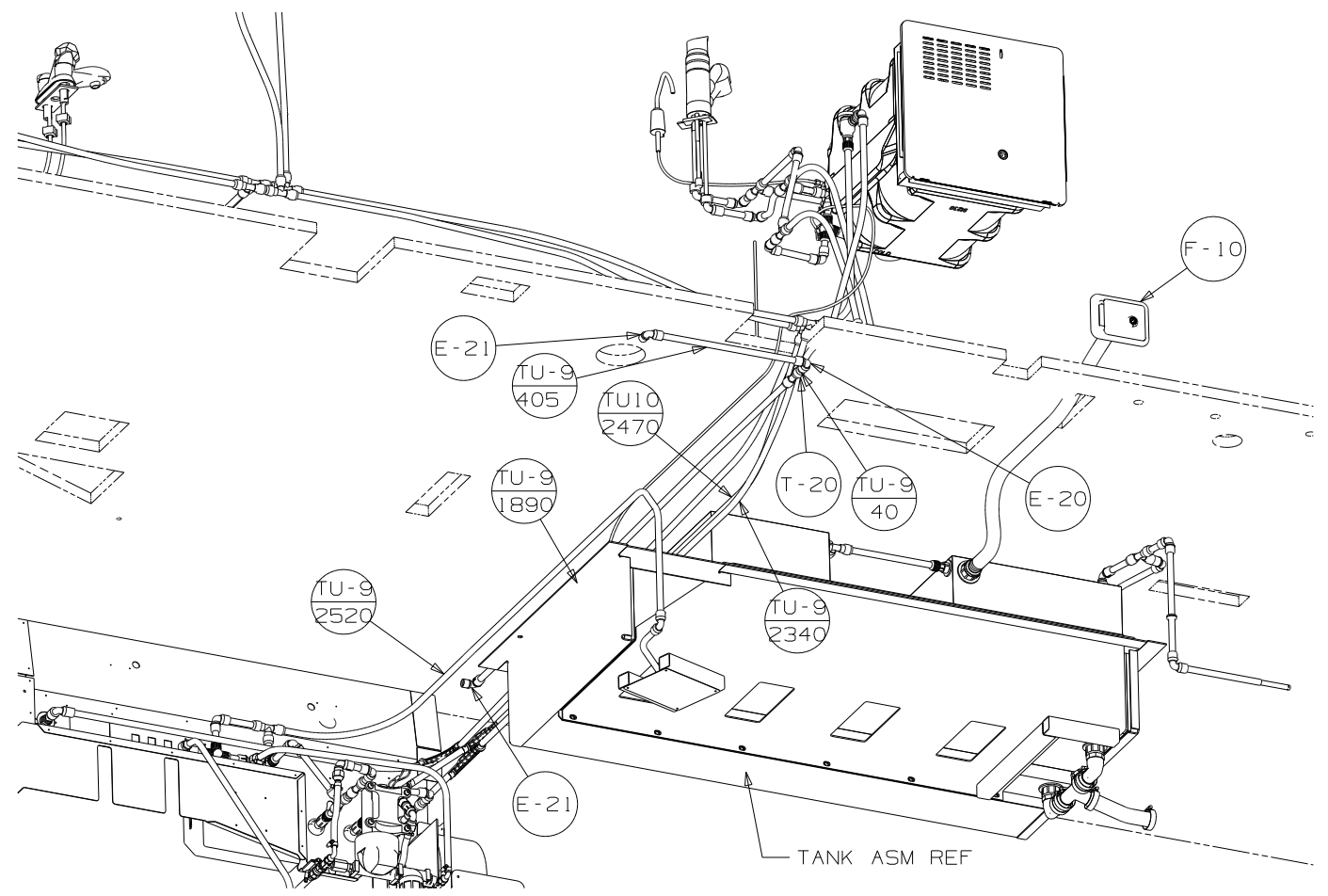
VALVE-BALL  
132483-02-000

FIRST USED	04 S34TD
TITLE	DO NOT SCALE DRAWING
TITLE	WATER SYSTEM INSTL
SHEET 3	PART NO 147640



VIEW G  
(PURIFIER REMOVED)

- 1B2 WATER HEATER-10 GAL
- 145541-01-000
- DOOR
- 125420-05-CHT
- CABLE
- 76767-03-000
- SCREW
- 639-10-169 (16)
- AL EXTR
- 2726-51-018 (4)



VIEW H

FIRST USED	04 S34TD
DO NOT SCALE DRAWING	
TITLE	WATER SYSTEM INSTL
SHEET 4	PART NO 147640