



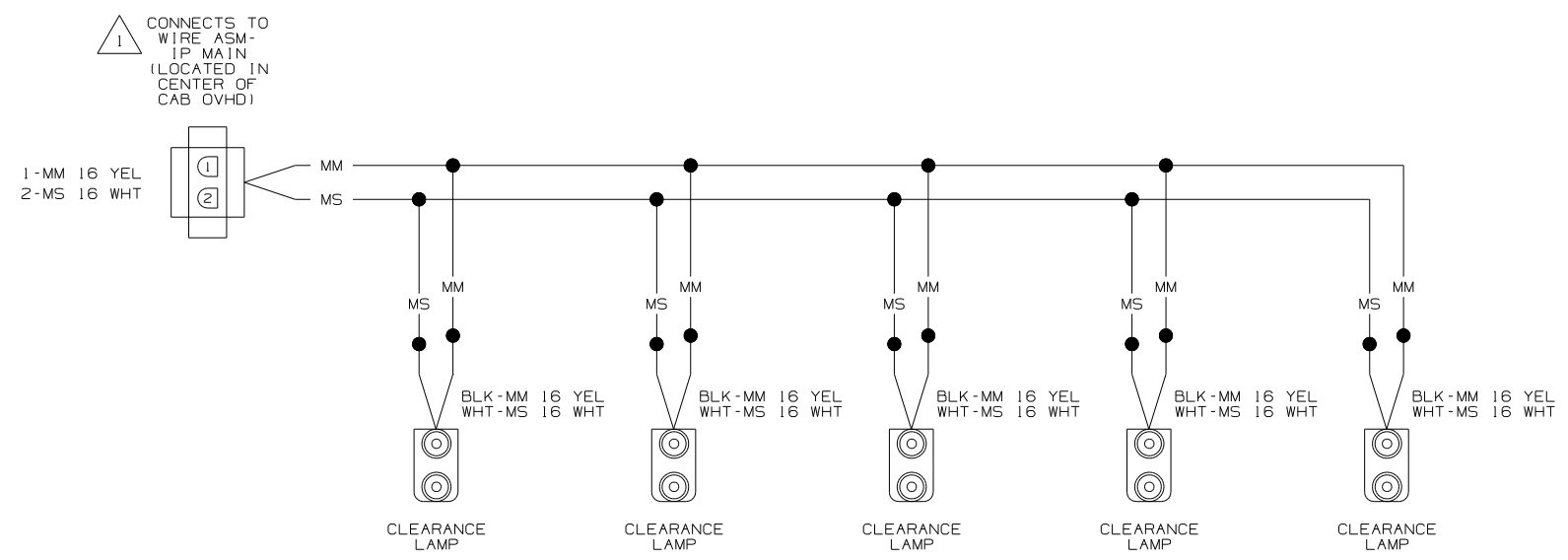
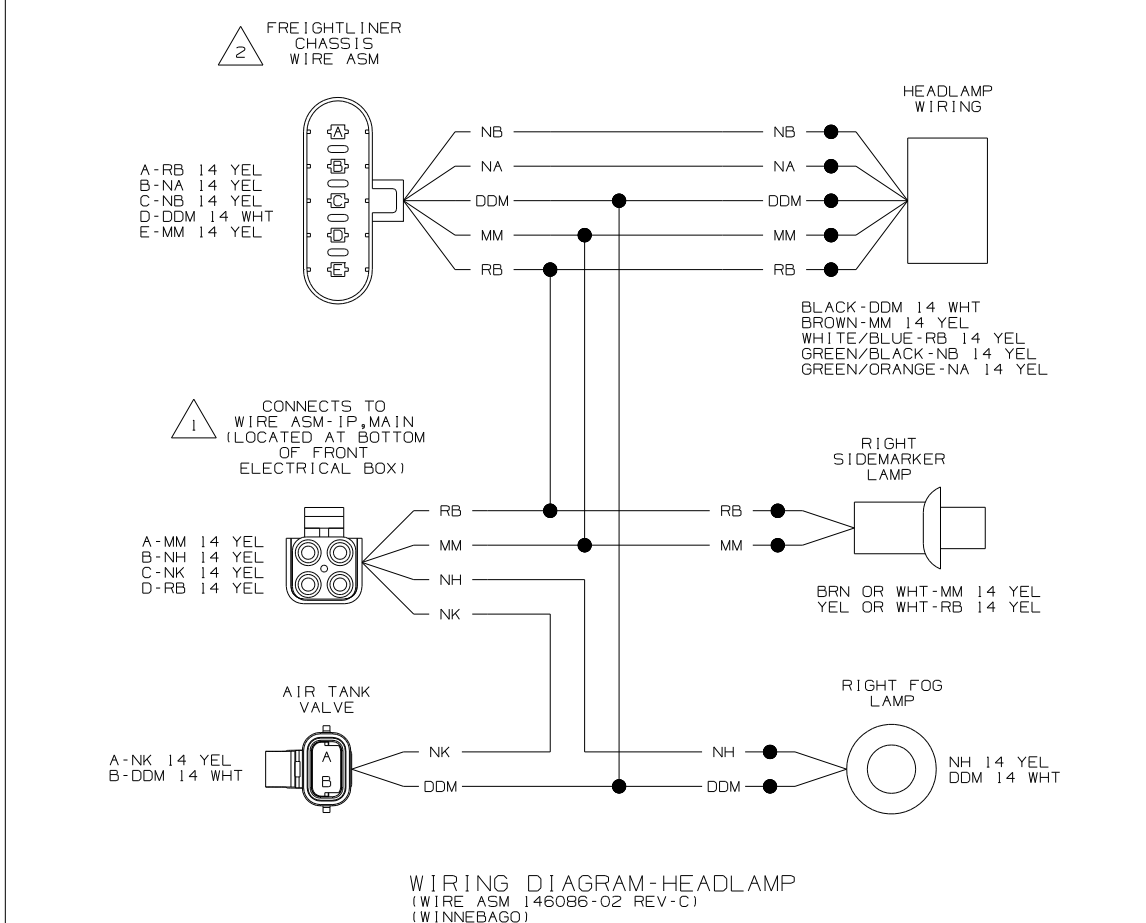
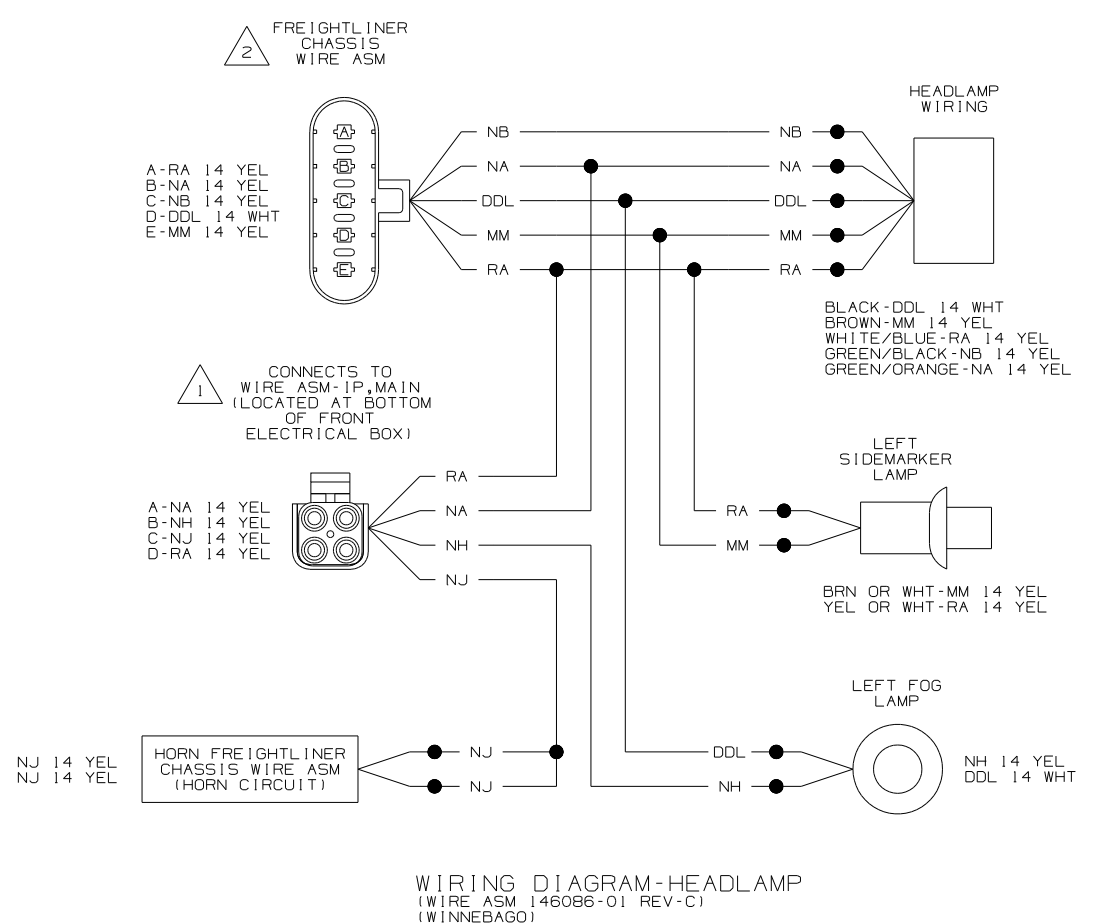
**DANGER**

**Danger of electrical shock, burns or death.** Always remove all power sources before attempting any repair, service or diagnostic work. Power can be present from shore power, generator, inverter or battery. All power sources must be disabled and secured before performing any service.



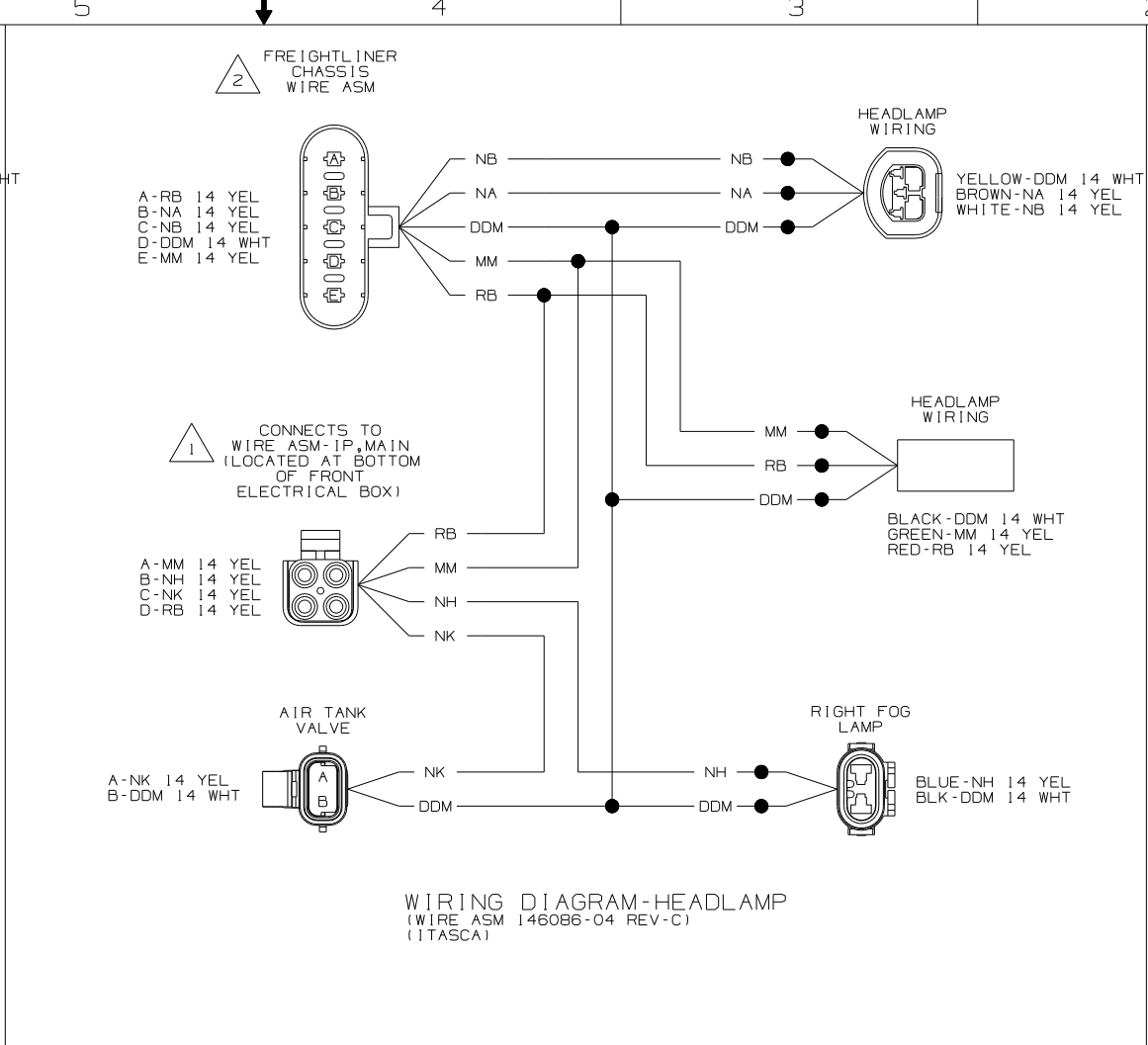
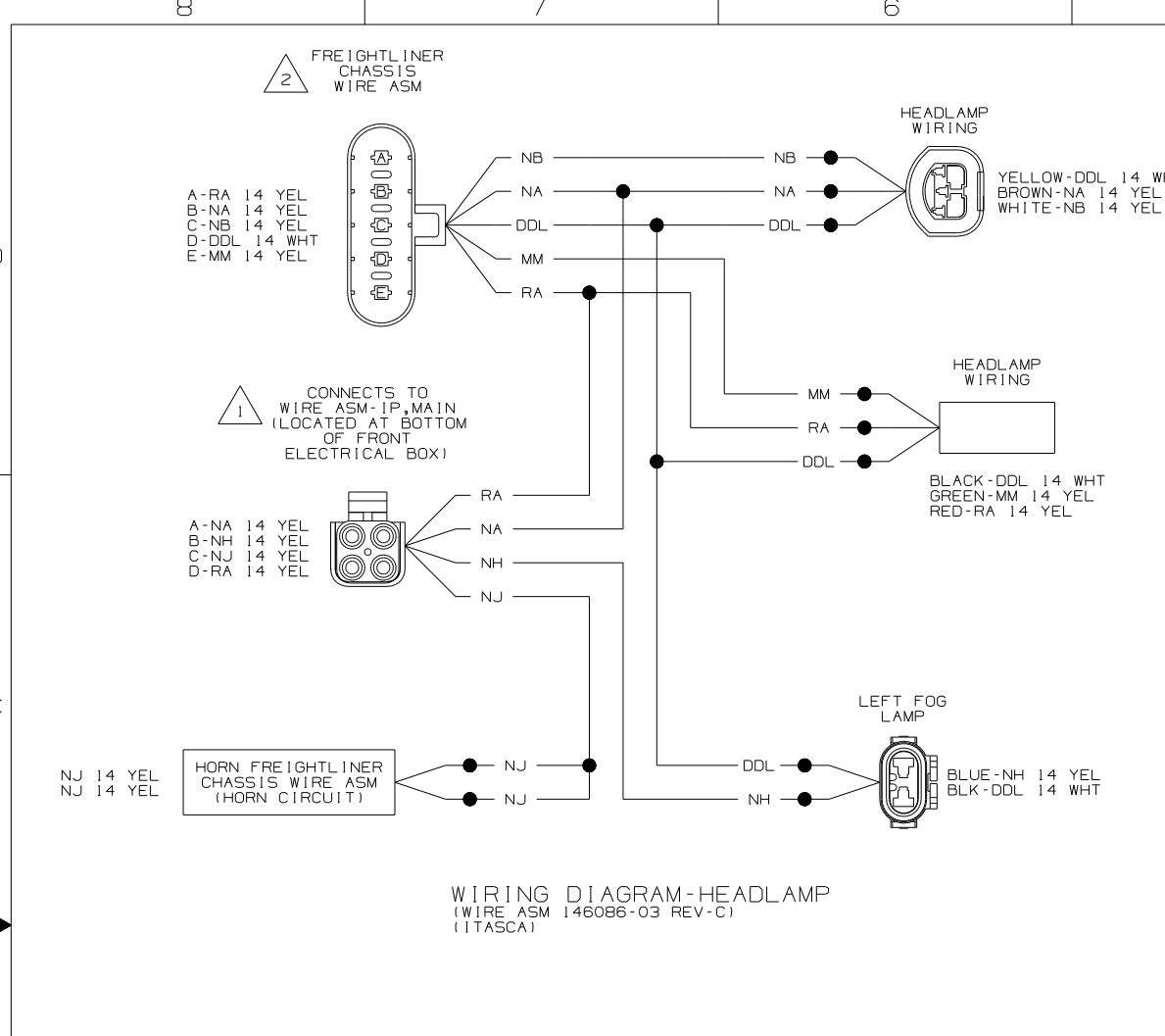
**CAUTION**

If you lack the skills, tools or equipment to perform diagnostic or repair work leave such work to an authorized Winnebago Industries dealer or other qualified shop.



NOTES:  
 2 SEE MANUFACTURER'S DIAGRAM FOR ADDITIONAL INFORMATION.  
 1 SEE WIRING DIAGRAM AUTO FOR ADDITIONAL INFORMATION.

<b>WINNEBAGO</b>		COPYRIGHT 2002 WINNEBAGO INDUSTRIES, INC.	
DFTR	ORIG. DATE	ALL DIMENSIONS ARE IN MILLIMETERS	
CHKR		FIRST USED <b>04 S-SER</b>	
P.E.		UNSPECIFIED TOLERANCES ARE:	
M.E.		MATERIAL:	
DSNR		HOLE DIM (X) :	
		ONE-PLACE (X.X) :	
		TWO-PLACE (X.XX) :	
		ANGLE :	
THIRD ANGLE PROJECTION		DO NOT SCALE DRAWING	
TITLE: <b>WIRING DIAGRAM-AUTO LAMPS</b>			
SHEET 1 of 4		PART NO <b>145023</b>	
REF:		1 05/21/03	

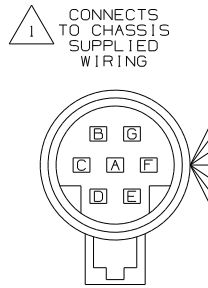


NOTES:

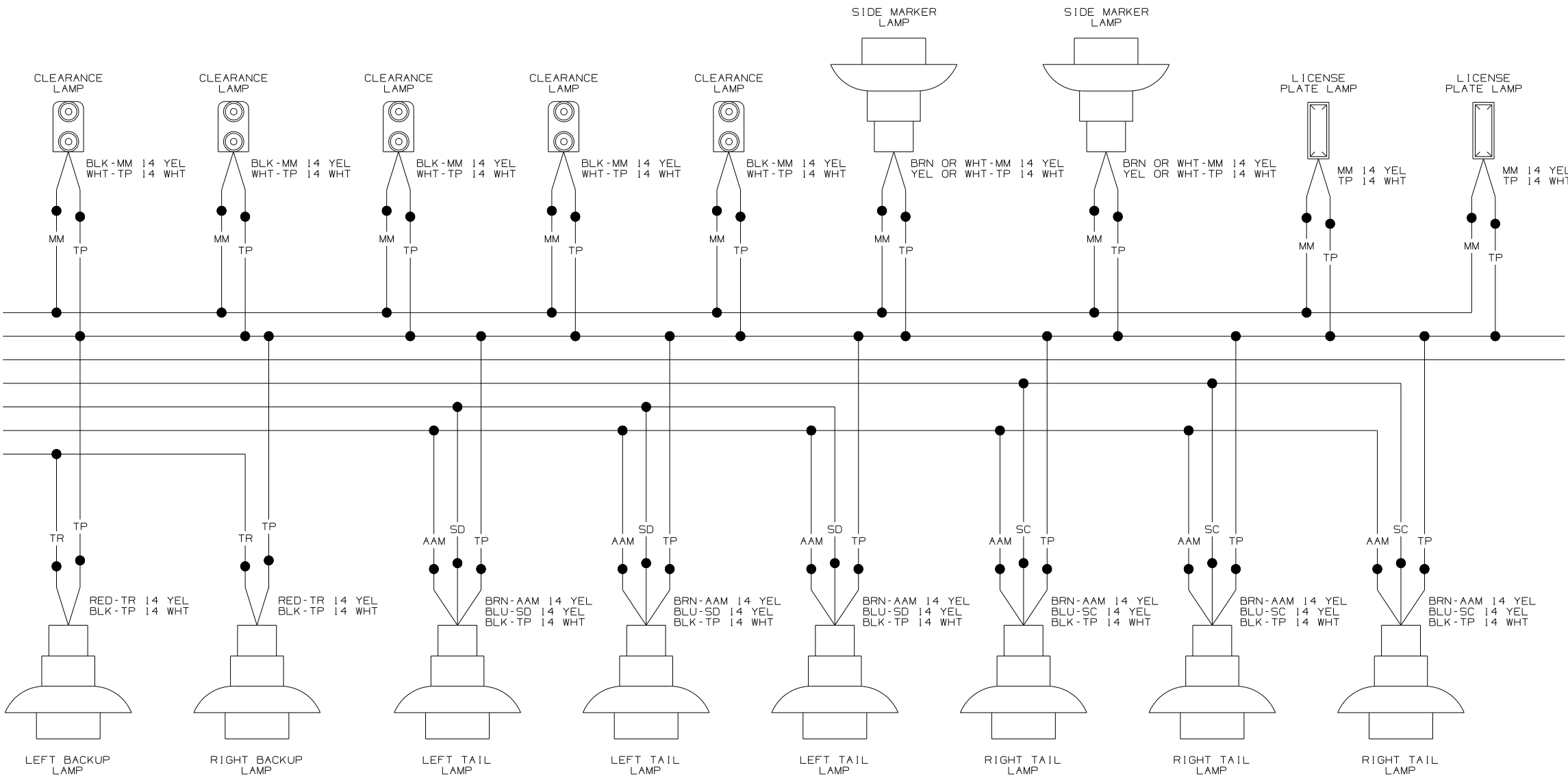
2 SEE MANUFACTURER'S DIAGRAM FOR ADDITIONAL INFORMATION.

1 SEE WIRING DIAGRAM AUTO FOR ADDITIONAL INFORMATION.

FIRST USED	04 S-SER
TITLE	DO NOT SCALE DRAWING
SHEET 2	PART NO 145023



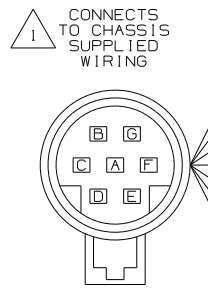
- A-TP 14 WHT
- B-SD 14 YEL
- C-MM 14 YEL
- D-TR 14 YEL
- E-X 14 YEL
- F-AAM 14 YEL
- G-SC 14 YEL



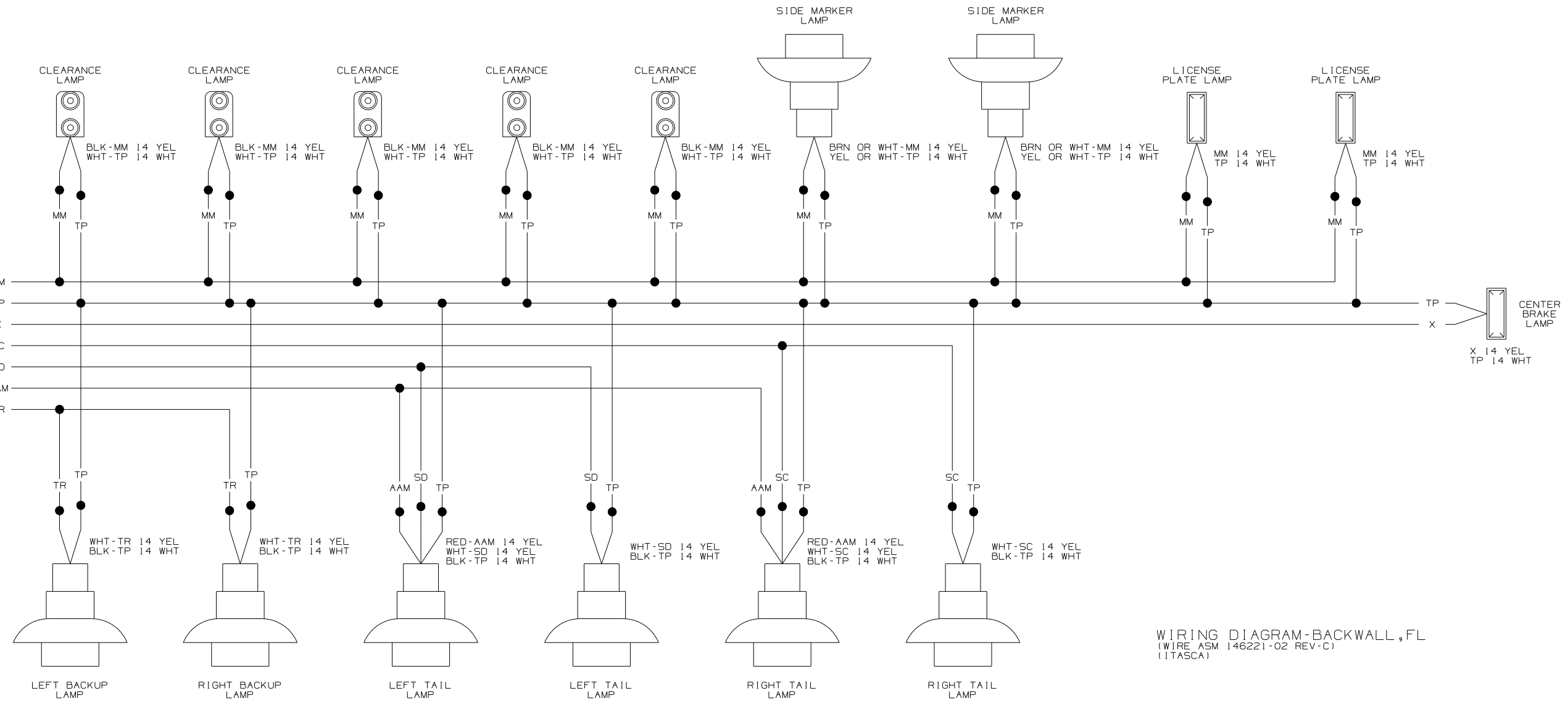
WIRING DIAGRAM-BACKWALL,FL  
(WIRE ASM 146221-01 REV-C)  
(WINNEBAGO)

NOTES: SEE MANUFACTURER'S DIAGRAM FOR ADDITIONAL INFORMATION.

FIRST USED	04 S-SER
TITLE	DO NOT SCALE DRAWING
	WIRING DIAGRAM-AUTO LAMPS
SHEET 3	PART NO 145023



- A-TP 14 WHT
- B-SD 14 YEL
- C-MM 14 YEL
- D-TR 14 YEL
- E-X 14 YEL
- F-AAM 14 YEL
- G-SC 14 YEL



WIRING DIAGRAM-BACKWALL,FL  
(WIRE\_ASM 146221-02 REV-C)  
(ITASCA)

NOTES: SEE MANUFACTURER'S DIAGRAM FOR ADDITIONAL INFORMATION.

FIRST USED	04 S-SER
TITLE	DO NOT SCALE DRAWING
WIRING DIAGRAM-AUTO LAMPS	
SHEET 4	PART NO 145023