



DANGER

Danger of electrical shock, burns or death. Always remove all power sources before attempting any repair, service or diagnostic work. Power can be present from shore power, generator, inverter or battery. All power sources must be disabled and secured before performing any service.

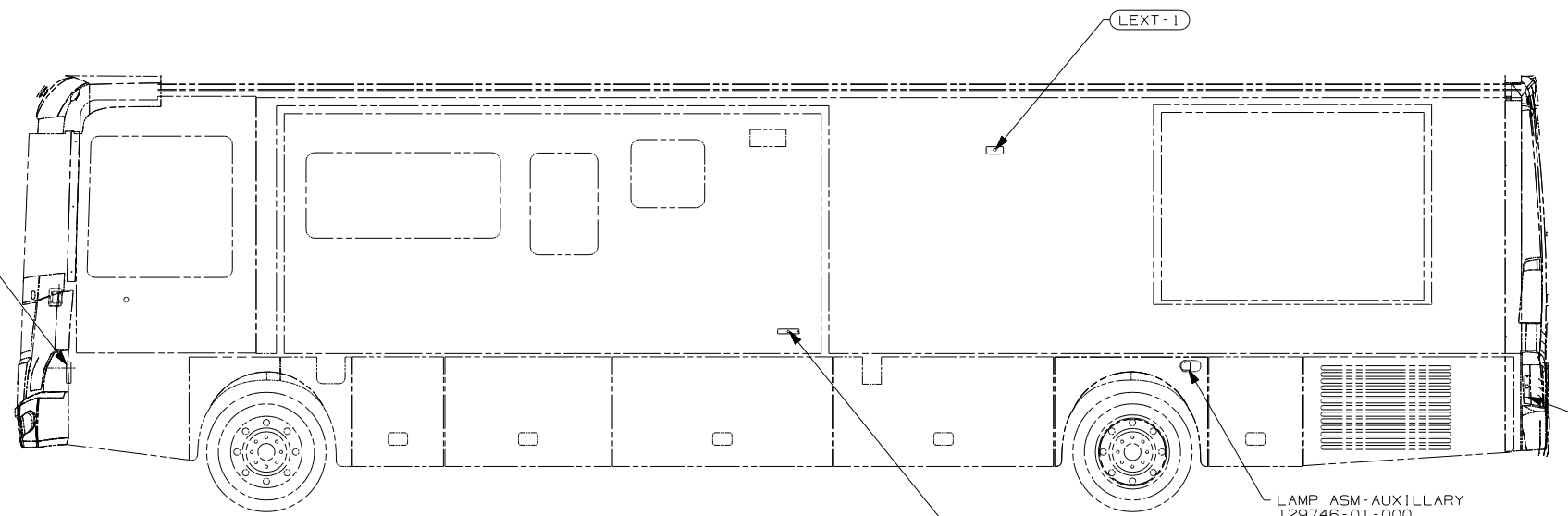


CAUTION

If you lack the skills, tools or equipment to perform diagnostic or repair work leave such work to an authorized Winnebago Industries dealer or other qualified shop.

| | |
|-------------|-------|
| DRAWING NO. | |
| 145022-01 | (WIN) |
| 145022-02 | (ITA) |

| | | | |
|----------|-----------------|--------|----------|
| RELEASE | REV DATE | DWG NO | 145022 |
| REV ZONE | REVISION RECORD | DATE | DTR-0R16 |

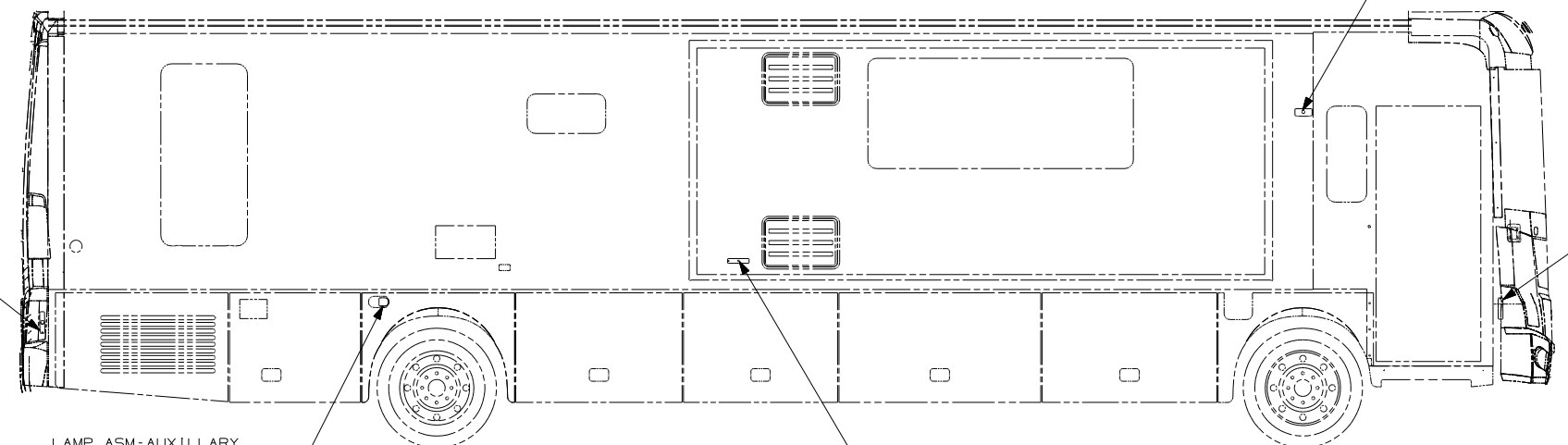


(WIN) LAMP-MARKER, AMBER
117826-02-000
GASKET-MARKER LIGHT
117826-03-000
BULB
36196-01-000
SCREW
G11-08-12U (EXT) (2)

LAMP-MARKER, BASE
111102-01-000
LAMP-MARKER, LENS, AMBER
111102-02-000
SCREW
G11-08-12U (EXT) (2)

LAMP ASM-AUXILLARY
129746-01-000
NUT
40921-05-000 (2)
SCREW
G39-08-10U (EXT) (3)
SHIM-STRIKER
120494-03-CHT (A/R)

LAMP ASM-MARKER, RED
117826-01-000
GASKET-MARKER LIGHT
117826-03-000
BULB
36196-01-000
SCREW
G11-08-12U (EXT) (2)



LAMP ASM-MARKER, RED
117826-01-000
GASKET-MARKER LIGHT
117826-03-000
BULB
36196-01-000
SCREW
G11-08-12U (EXT) (2)

LAMP-MARKER, BASE
111102-01-000
LAMP-MARKER, LENS, AMBER
111102-02-000
SCREW
G11-08-12U (EXT) (2)

LAMP-MARKER, AMBER (WIN)
117826-02-000
GASKET-MARKER LIGHT
117826-03-000
BULB
36196-01-000
SCREW
G11-08-12U (EXT) (2)

LAMP ASM-AUXILLARY
129746-01-000
NUT
40921-05-000 (2)
SCREW
G39-08-10U (EXT) (3)
SHIM-STRIKER
120494-03-CHT (A/R)

- (WIN) WINNEBAGO ONLY
- (265) CODES/STANDARDS-CSA/CMVSS
- (IB1) CODES/STANDARDS USA

(IB1) (265)

WINNEBAGO COPYRIGHT 2004 WINNEBAGO INDUSTRIES, INC.

| | |
|-----------------------------|-----------------------------------|
| DTR | ORIG. DATE |
| CHKR | ALL DIMENSIONS ARE IN MILLIMETERS |
| P.E. | |
| M.E. | FIRST USED |
| DSNR | 04 S-SERIES |
| UNSPECIFIED TOLERANCES ARE: | MATERIAL: |
| HOLE DIM (X) : | |
| ONE-PLACE (X.X) : | |
| TWO-PLACE (X.XX) : | |
| ANGLE : | |
| THIRD ANGLE PROJECTION | |

DO NOT SCALE DRAWING

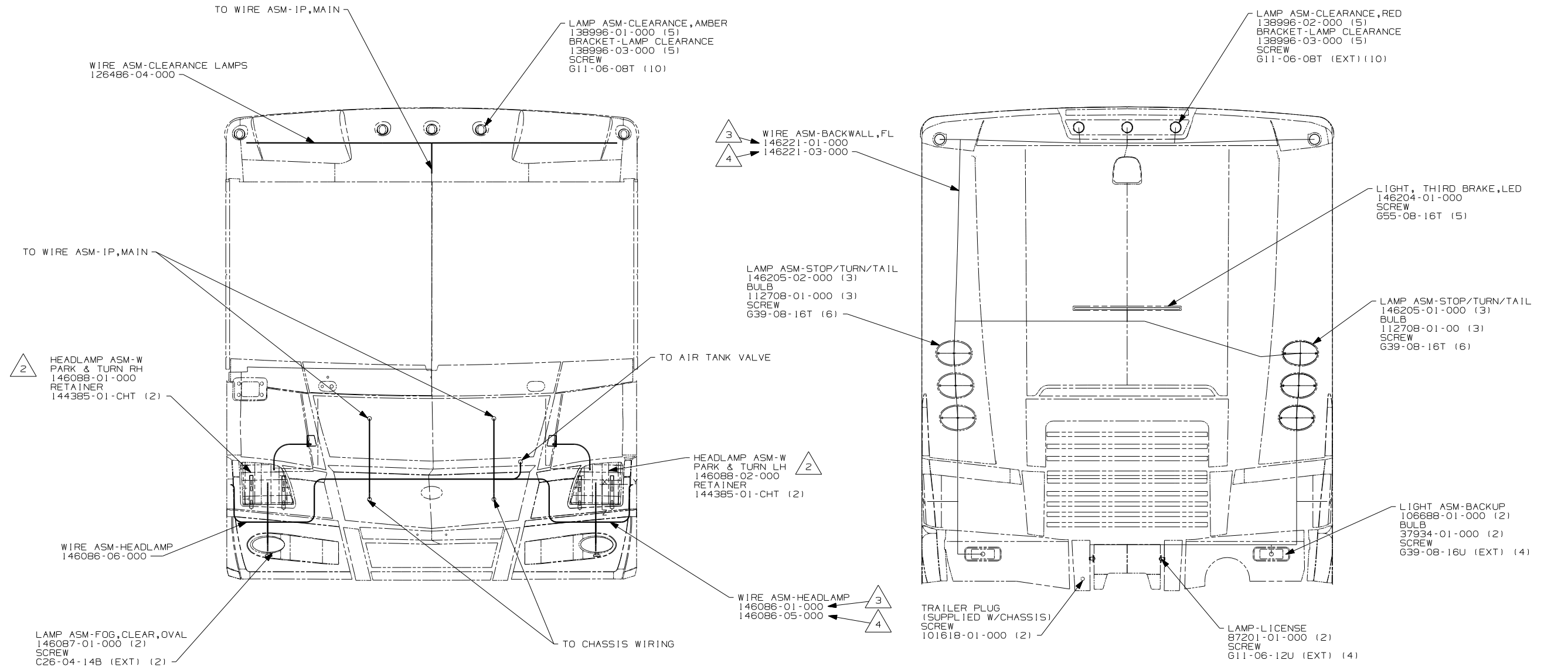
TITLE: WIRING INSTL-EXTERIOR LAMPS

SHEET 1 of 3 PART NO 145022

REF: 1 1/7/2004

FOR ELECTRICAL TORQUE SPECIFICATIONS SEE DWG NO. 128783-01-000

(X-X) FOR ELECTRICAL CALLOUTS SEE DWG NO. 121339-01-000



- NOTES:
- 4 MMDC WIRING
 - 3 SYSTEM 3 WIRING
 - 2 CUT PLUG OFF HEADLIGHT ASSEMBLY, CONNECT AND HEAT SHRINK AS FOLLOWS:
DDM OR DDL TO BLACK, MM TO BROWN, WHITE/BLUE TO RA OR RB,
GREEN/BLACK TO NB, GREEN/ORANGE TO NA.
 - 1 CONNECTOR-PLUG, TRAILER (146246-01-000) TO BE SUPPLIED IN COACH WITH (240).

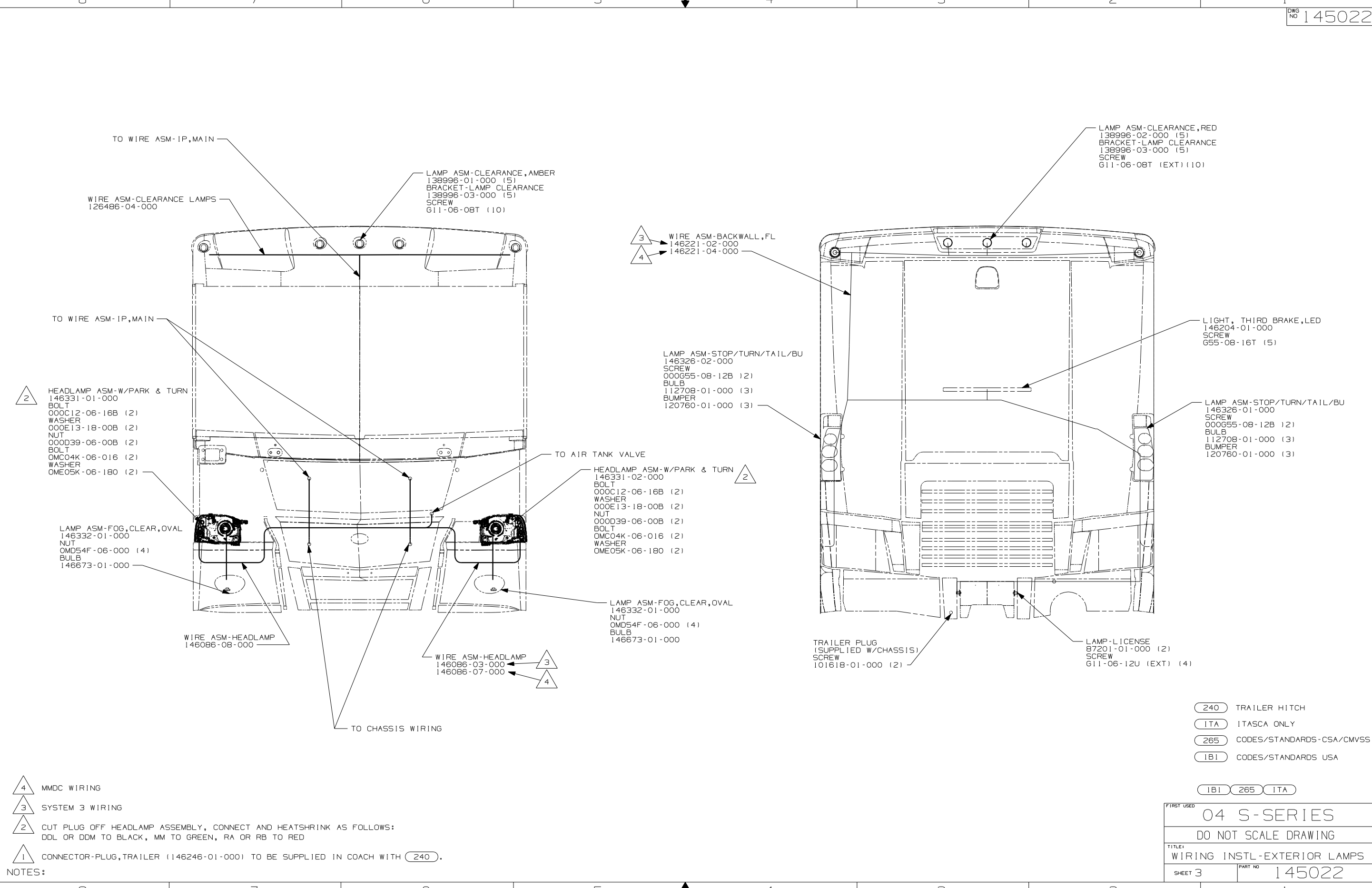
- (240) TRAILER HITCH
- (WIN) WINNEBAGO ONLY
- (265) CODES/STANDARDS-CSA/CMVSS
- (1B1) CODES/STANDARDS USA

(1B1) (265) (WIN)

FOR ELECTRICAL
TORQUE
SPECIFICATIONS
SEE DWG NO.
128783-01-000

(X-X)
FOR ELECTRICAL
CALLOUTS
SEE DWG NO.
121339-01-000

| | |
|------------|-----------------------------|
| FIRST USED | 04 S-SERIES |
| TITLE | DO NOT SCALE DRAWING |
| TITLE | WIRING INSTL-EXTERIOR LAMPS |
| SHEET 2 | PART NO 145022 |



- (240) TRAILER HITCH
- (ITA) ITASCA ONLY
- (265) CODES/STANDARDS-CSA/CMVSS
- (IB1) CODES/STANDARDS USA

(IB1) (265) (ITA)

| | |
|------------|-----------------------------|
| FIRST USED | 04 S-SERIES |
| TITLE | DO NOT SCALE DRAWING |
| SHEET 3 | WIRING INSTL-EXTERIOR LAMPS |
| PART NO | 145022 |