



**DANGER**

**Danger of electrical shock, burns or death.** Always remove all power sources before attempting any repair, service or diagnostic work. Power can be present from shore power, generator, inverter or battery. All power sources must be disabled and secured before performing any service.

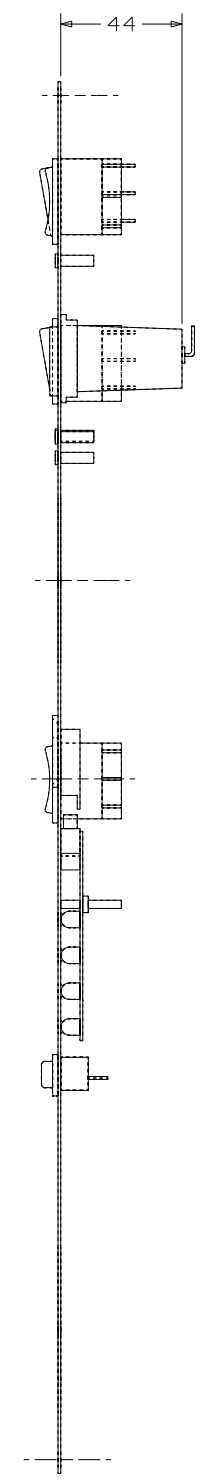
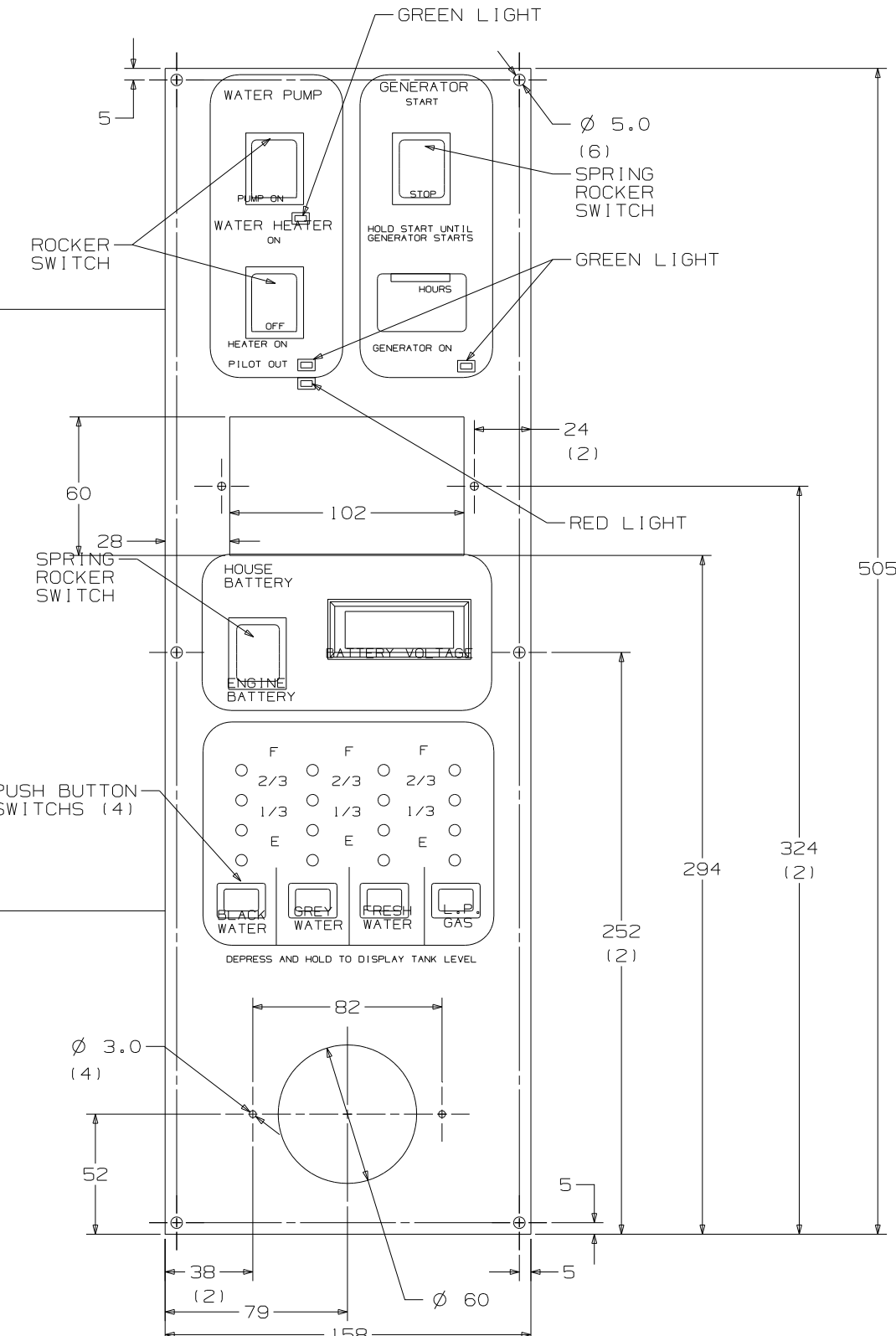
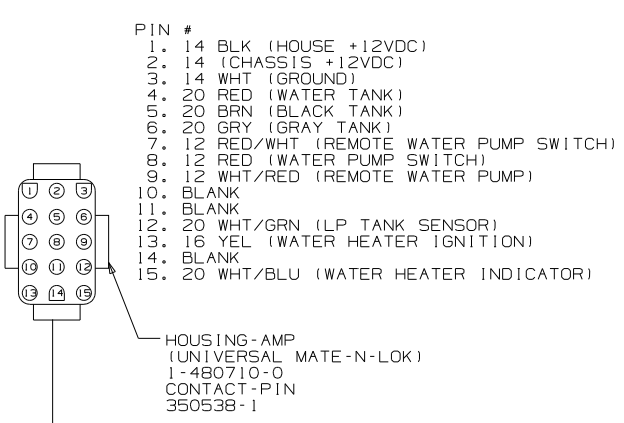
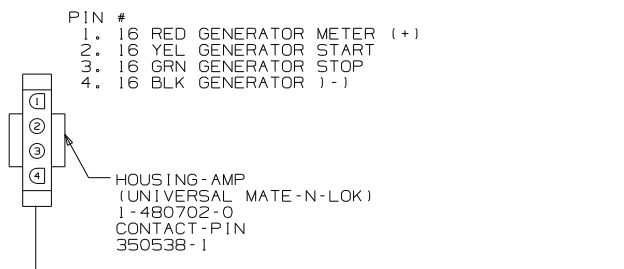


**CAUTION**

If you lack the skills, tools or equipment to perform diagnostic or repair work leave such work to an authorized Winnebago Industries dealer or other qualified shop.

DWG NO	SHEET	DESCRIPTION
133004-01	1	2TK, DIG VOLT
133004-02	2	2T, DIG VOLT, SOLAR
133004-03	3	2TK, W/SOL & PAN
133004-04	4	2TK, W/O WAT HEAT
133004-05	5,6,7	2T, SOLAR/SENSOR

RELEASE	REV DATE	DWG NO	133004
REV ZONE	REVISION RECORD	DATE	DFTR-0R16



- NOTES:
1. SUGGESTED VENDOR: VENLINE.
  2. BLACK PANEL WITH WHITE GRAPHICS.
  3. LETTERS ON MAIN HEADING TO BE 5MM HIGH.
  4. CUTOUT FOR PANEL TO BE 135 X 350 MIN/  
140 X 380 MAX.
  5. SWITCH RATING SHALL BE EMBOSSED ON  
THE SIDE OF THE 12V SWITCHES.

**SEE CHART**  
FOR COLOR VARIATIONS  
OF THIS PART

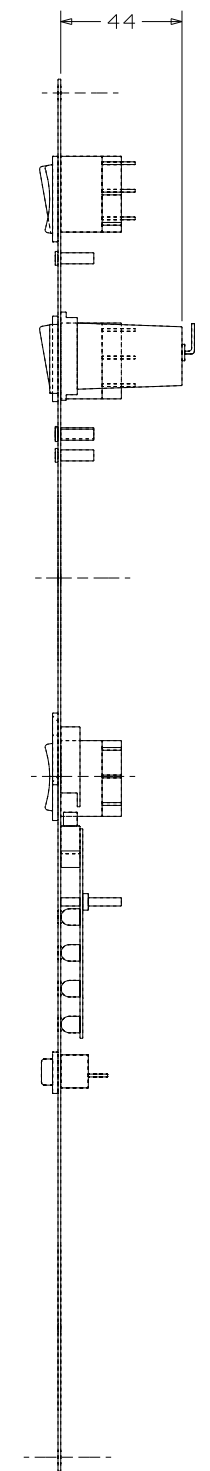
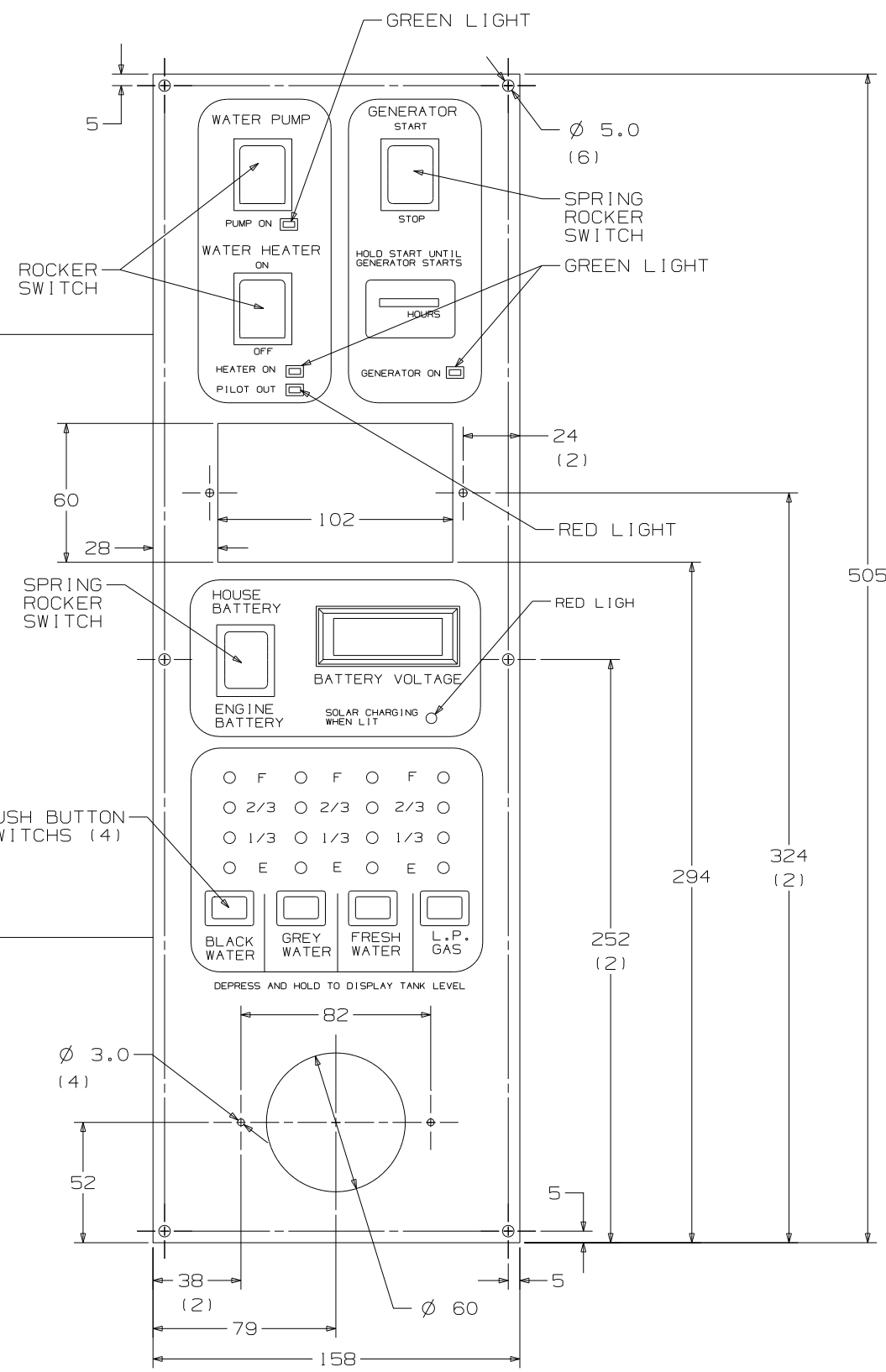
<b>WINNEBAGO</b>		COPYRIGHT 2004 WINNEBAGO INDUSTRIES, INC.	
DFTR	ORIG. DATE	ALL DIMENSIONS ARE IN MILLIMETERS	
CHKR		STANDARDS	
P.E.		FIRST USED	
M.E.		UNSPECIFIED TOLERANCES ARE:	
DSNR		MATERIAL:	
THIRD ANGLE PROJECTION		WHOLE DIM (X)	: 1
		ONE-PLACE (X.X)	:
		TWO-PLACE (X.XX)	:
		ANGLE	:
DO NOT SCALE DRAWING			
TITLE: PANEL-MONITOR			
SHEET 1 OF 7	PART NO	133004	
REF:		1 5/5/2004	

- PIN #
- 1. 16 RED GENERATOR METER (+)
  - 2. 16 YEL GENERATOR START
  - 3. 16 GRN GENERATOR STOP
  - 4. 16 BLK GENERATOR (-)

HOUSING-AMP  
(UNIVERSAL MATE-N-LOK)  
1-480702-0  
CONTACT-PIN  
350538-1

- PIN #
- 1. 14 BLK (HOUSE +12VDC)
  - 2. 14 (CHASSIS +12VDC)
  - 3. 14 WHT (GROUND)
  - 4. 20 RED (WATER TANK)
  - 5. 20 BRN (BLACK TANK)
  - 6. 20 GRY (GRAY TANK)
  - 7. 12 RED/WHT (REMOTE WATER PUMP SWITCH)
  - 8. 12 RED (WATER PUMP SWITCH)
  - 9. 12 WHT/RED (REMOTE WATER PUMP)
  - 10. BLANK
  - 11. BLANK
  - 12. 20 WHT/GRN (LP TANK SENSOR)
  - 13. 16 YEL (WATER HEATER IGNITION)
  - 14. BLANK
  - 15. 20 WHT/BLU (WATER HEATER INDICATOR)

HOUSING-AMP  
(UNIVERSAL MATE-N-LOK)  
1-480710-0  
CONTACT-PIN  
350538-1



FIRST USED	STANDARDS
TITLE	DO NOT SCALE DRAWING
SHEET 2	PANEL - MONITOR
PART NO	133004

PIN #  
 1. 16 RED GENERATOR METER (+)  
 2. 16 YEL GENERATOR START  
 3. 16 BRN GENERATOR STOP  
 4. 16 BLK GENERATOR (-)

HOUSING-AMP  
 (UNIVERSAL MATE-N-LOK)  
 1-480702-0  
 CONTACT-PIN  
 350538-1

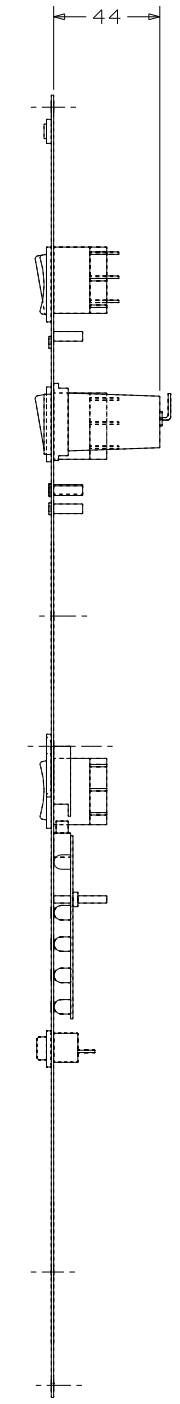
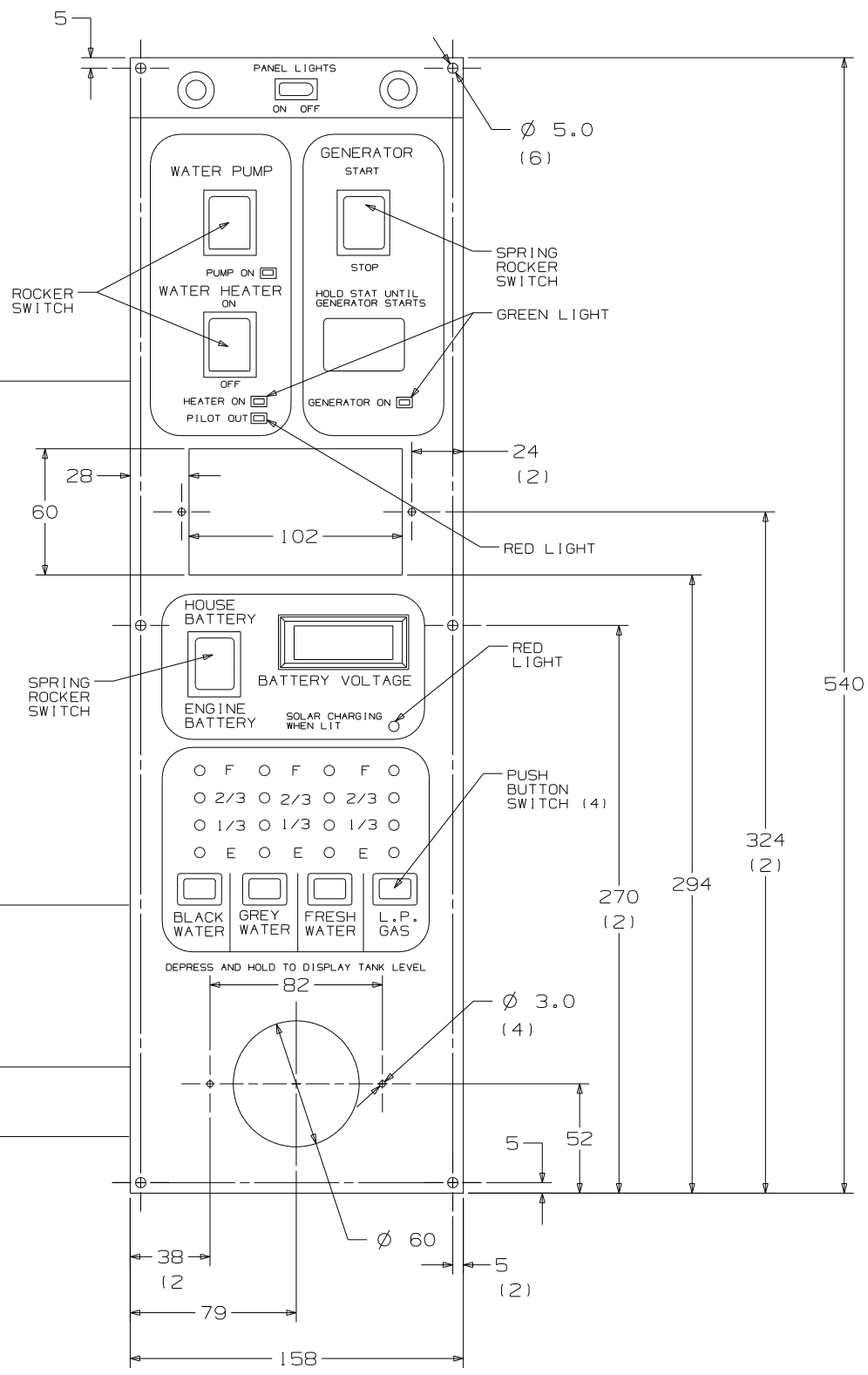
PIN #  
 1. 14 BLK (HOUSE +12VDC)  
 2. 14 (CHASSIS +12VDC)  
 3. 14 WHT (GROUND)  
 4. 20 RED (WATER TANK)  
 5. 20 BRN (BLACK TANK)  
 6. 20 GRN (GRAY TANK)  
 7. 12 RED/WHT (REMOTE WATER PUMP SWITCH)  
 8. 12 RED (WATER PUMP SWITCH)  
 9. 12 WHT/RED (REMOTE WATER PUMP)  
 10. BLANK  
 11. BLANK  
 12. 20 WHT/GRN (LP TANK SENSOR)  
 13. 16 YEL (WATER HEATER IGNITION)  
 14. BLANK  
 15. 20 WHT/BLU (WATER HEATER INDICATOR)

HOUSING-AMP  
 (UNIVERSAL-MATE-N-LOK)  
 1-480698-0  
 PIN  
 350538-0

PIN #  
 1. 16 BLK  
 2. 16 RED

HOUSING-AMP  
 (UNIVERSAL-MATE-N-LOK)  
 1-480699-0  
 PIN  
 350537-0

PIN #  
 1. 16 GRN  
 2. 16 RED



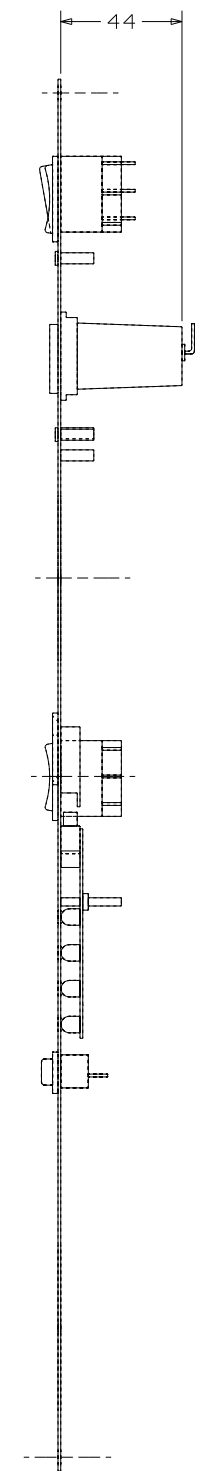
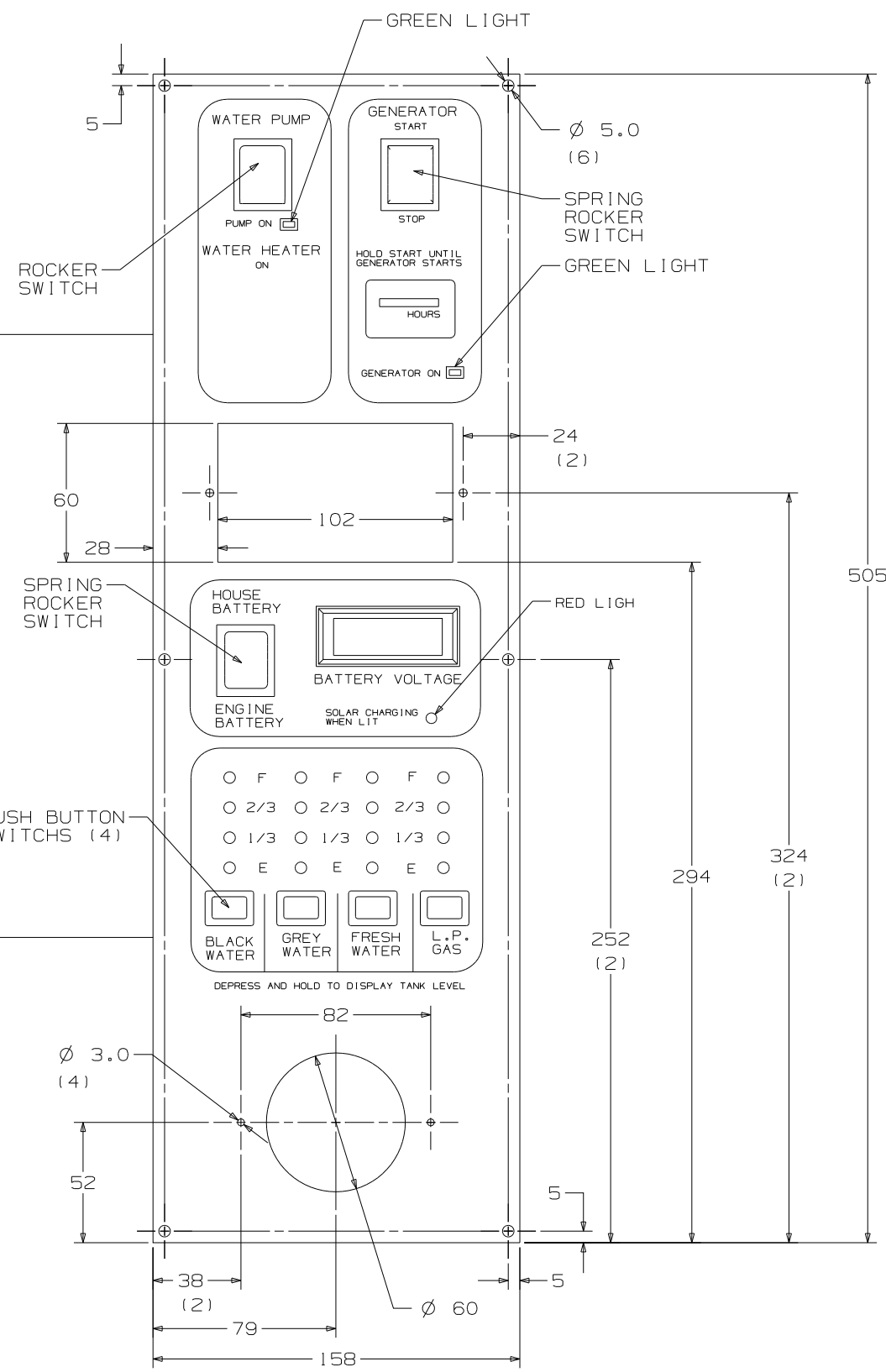
FIRST USED	STANDARD
TITLE	DO NOT SCALE DRAWING
TITLE	PANEL-MONITOR
SHEET 3	PART NO 133004

PIN #  
 1. 16 RED GENERATOR METER (+)  
 2. 16 YEL GENERATOR START  
 3. 16 GRN GENERATOR STOP  
 4. 16 BLK GENERATOR (-)

HOUSING-AMP  
 (UNIVERSAL MATE-N-LOK)  
 1-480702-0  
 CONTACT-PIN  
 350538-1

PIN #  
 1. 14 BLK (HOUSE +12VDC)  
 2. 14 (CHASSIS +12VDC)  
 3. 14 WHT (GROUND)  
 4. 20 RED (WATER TANK)  
 5. 20 BRN (BLACK TANK)  
 6. 20 GRY (GRAY TANK)  
 7. 12 RED/WHT (REMOTE WATER PUMP SWITCH)  
 8. 12 RED (WATER PUMP SWITCH)  
 9. 12 WHT/RED (REMOTE WATER PUMP)  
 10. BLANK  
 11. BLANK  
 12. 20 WHT/GRN (LP TANK SENSOR)  
 13. BLANK  
 14. BLANK  
 15. BLANK

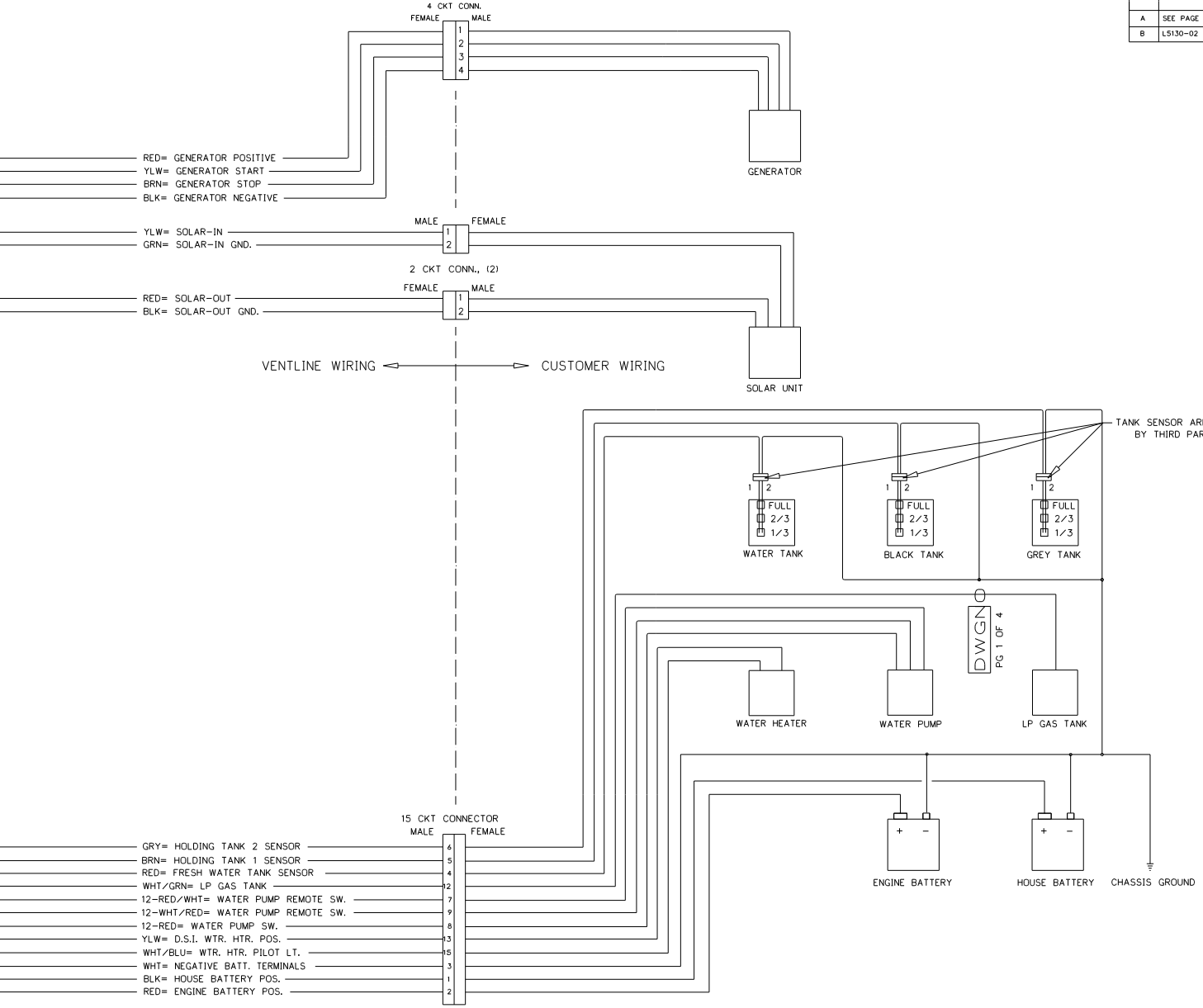
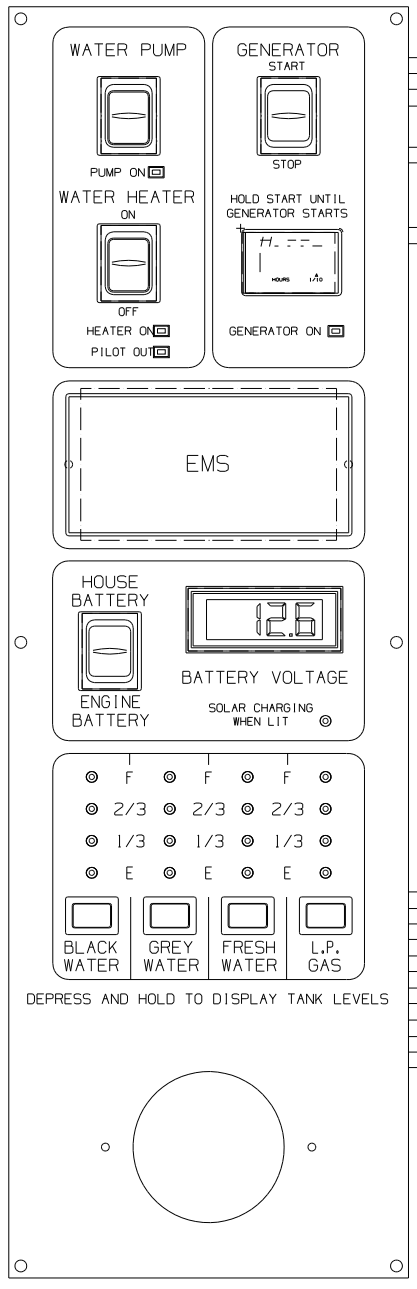
HOUSING-AMP  
 (UNIVERSAL MATE-N-LOK)  
 1-480710-0  
 CONTACT-PIN  
 350538-1



FIRST USED	STANDARDS
TITLE	DO NOT SCALE DRAWING
SHEET 4	PANEL - MONITOR
PART NO	133004
1 5/5/2004	

CONFIDENTIAL  
 THIS DOCUMENT, INCLUDING ALL INFORMATION CONTAINED HEREIN IS THE EXCLUSIVE AND CONFIDENTIAL PROPERTY OF VENTLINE DIVISION OF TOMKINS INDUSTRIES INC. THE DOCUMENT AND INFORMATION ARE NOT TO BE COPIED, REPRODUCED OR DELIVERED TO OTHERS, IN WHOLE OR IN PART, WITHOUT THE EXPRESS WRITTEN PERMISSION OF VENTLINE. THE DOCUMENT IS TO BE RETURNED PROMPTLY TO VENTLINE AFTER HAVING SERVED THE PURPOSE FOR WHICH DELIVERED.  
 ©1995 VENTLINE DIVISION, TOMKINS INDUSTRIES, INC.  
 All Rights Reserved, including the right to reproduce this document or any part thereof

LTR.	DESCRIPTION	DATE	CHK. BY	APP. BY
A	SEE PAGE 3 ECN 16381	ECN 16261	4-6-04	R.L. R.L.
B	L5130-02 WAS L5113-04	ECN 16394	4-21-04	R.L. R.L.



- NOTES:  
 1. UNLESS OTHERWISE SPECIFIED ALL WIRE IS 22 AWG.  
 2. REF. DWG.'S:  
 HARNESS, INTERNAL & SWITCH= L7785-01, -02  
 HARNESS, GEN. INTERNAL & SWITCH= L7786-00  
 HARNESS, SOLAR LIGHT= L7722-00  
 PCB= L5130-02  
 HARNESS, TEST= L8012-00  
 TEST BOX= L8506-00  
 3. ALL PIGTAILS TO BE SUPPLIED BY CUSTOMER.  
 4. BEFORE PACKING, SECURE HARNESS WITH V00169-00 TIE WRAP ON RIGHT SIDE POST.

ENGLISH TOLERANCE UNLESS SPECIFIED  
 0 PL.: .040  
 2 PL.: .010  
 1 PL.: .020  
 3 PL.: .005  
 FRACTIONS ± 1/64

PART NO.	REV'D	MATERIAL	DESCRIPTION	DWG SIZE
BLANK		BLANK	WGT	USED
DRWN DATE		MATERIAL	USED ON	
DRWN DATE		MATL	MATL	
CHECKED DATE		NAME	SCALE	
CHECKED DATE		DWGNAME	DWGNAME	
APPV'D DATE		DWGNAME	DWGNO	

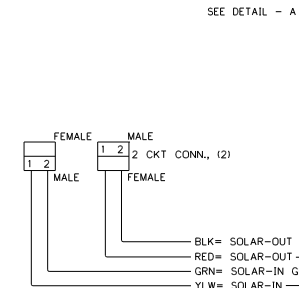
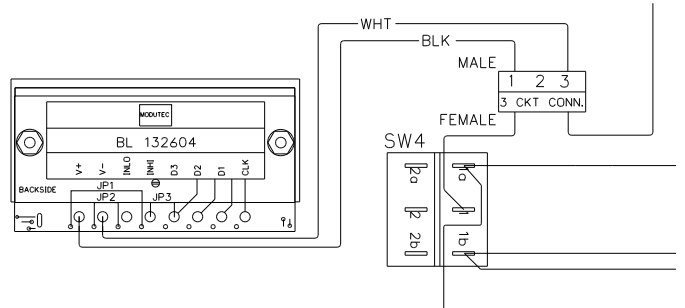
FIRST USED	STANDARD
TITLE	DO NOT SCALE DRAWING
TITLE	PANEL - MONITOR
SHEET 5	PART NO 133004



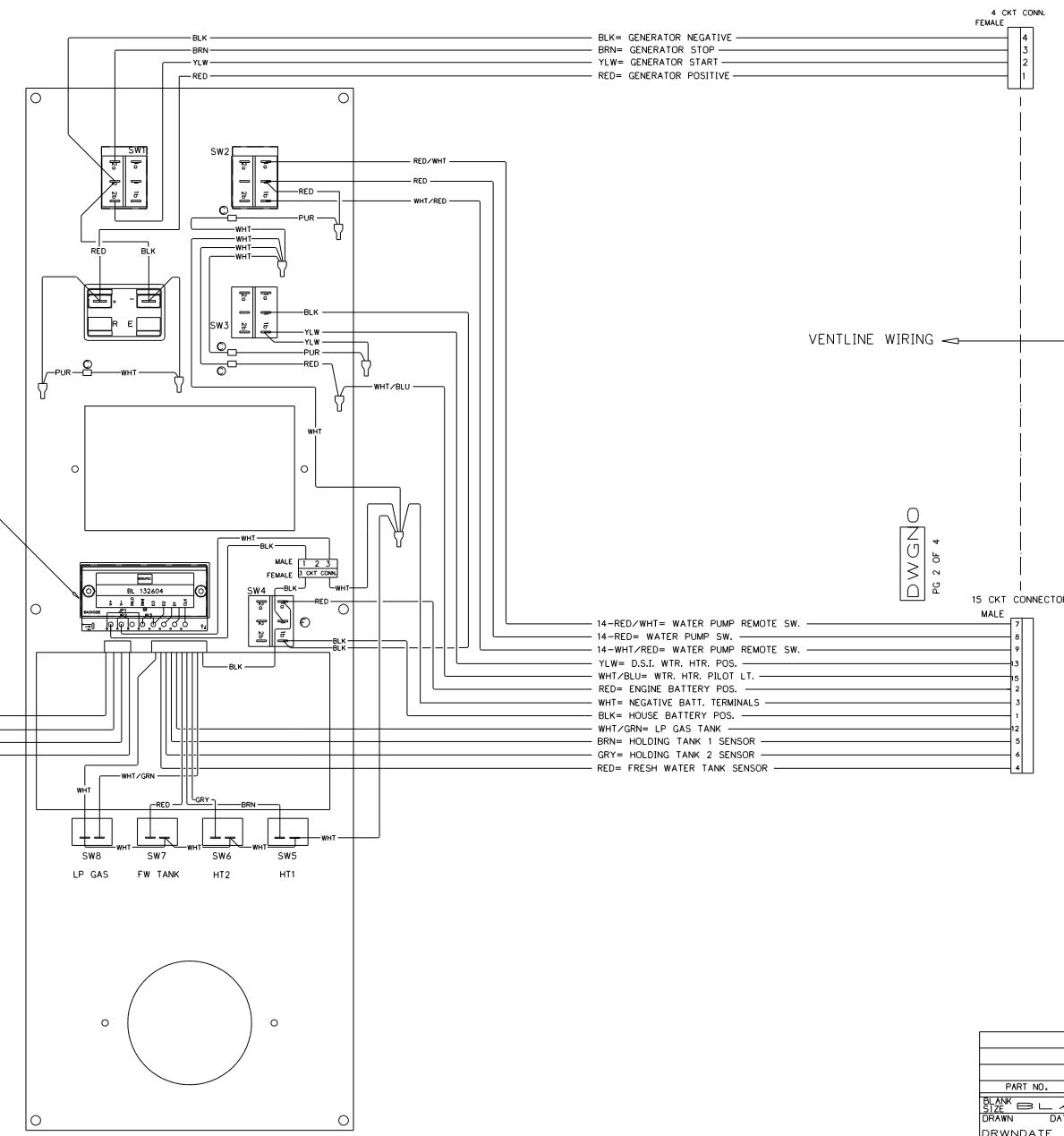
CONFIDENTIAL  
 THIS DOCUMENT, INCLUDING ALL INFORMATION CONTAINED HEREIN IS THE EXCLUSIVE AND CONFIDENTIAL PROPERTY OF VENTLINE DIVISION OF TOMING INDUSTRIES INC. THE DOCUMENT AND INFORMATION ARE NOT TO BE COPIED, REPRODUCED OR DELIVERED TO OTHERS, IN WHOLE OR IN PART, WITHOUT THE EXPRESS WRITTEN PERMISSION OF VENTLINE. THE DOCUMENT IS TO BE RETURNED PROMPTLY TO VENTLINE AFTER HAVING SERVED THE PURPOSE FOR WHICH DELIVERED.  
 ©1995 VENTLINE DIVISION, TOMING INDUSTRIES, INC.  
 All Rights Reserved, including the right to reproduce this document in any part thereof.

LTR.	DESCRIPTION	DATE	CHK'D	APP'D
A	SEE PAGE 3 ECN 16381	4-6-04	RUL	RUL
B	LS130-02 WAS LS113-04 ECN 16394	4-21-04	RUL	RUL

DETAIL - A



- NOTES:
- UNLESS OTHERWISE SPECIFIED ALL WIRE IS 22 AWG.
  - REF. DWG.'S:  
 HARNESS, INTERNAL & SWITCH= L7785-01, -02  
 HARNESS, GEN. INTERNAL & SWITCH= L7786-00  
 HARNESS, SOLAR LIGHT= L7722-00  
 PCB= LS130-02  
 HARNESS, TEST= L8012-00  
 TEST BOX= L8506-00
  - ALL PIGTAILS TO BE SUPPLIED BY CUSTOMER.
  - BEFORE PACKING, SECURE HARNESS WITH VD0167-00 TIE WRAP ON RIGHT SIDE POST.

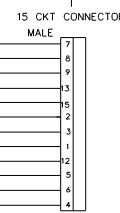
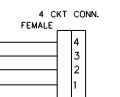


BLK= GENERATOR NEGATIVE  
 BRN= GENERATOR STOP  
 YLW= GENERATOR START  
 RED= GENERATOR POSITIVE

VENTLINE WIRING ← → CUSTOMER WIRING

DWG NO  
 PG 2 OF 4

14-RED/WHT= WATER PUMP REMOTE SW.  
 14-RED= WATER PUMP SW.  
 14-WHT/RED= WATER PUMP REMOTE SW.  
 YLW= D.S.I. WTR, HTR, POS.  
 WHT/BLU= WTR, HTR, PILOT LT.  
 RED= ENGINE BATTERY POS.  
 WHT= NEGATIVE BATT. TERMINALS  
 BLK= HOUSE BATTERY POS.  
 WHT/GRN= LP GAS TANK  
 BRN= HOLDING TANK 1 SENSOR  
 GRY= HOLDING TANK 2 SENSOR  
 RED= FRESH WATER TANK SENSOR



ENGLISH (TOLERANCE UNLESS SPECIFIED)  
 0 PL.: .040 1 PL.: .020  
 2 PL.: .010 3 PL.: .005  
 FRACTIONS: 1/64

PART NO.	REV'D	MATERIAL	DESCRIPTION	DWG SIZE
BLANK SIZE		BLANK	WGT USED	USED ON
DRAWN	DATE	MATERIAL	DATE	USED ON
DRWDATE	DATE	MATL	MATL	
CHECKED	DATE			
CHECKDATE	DATE			
APPV'D	DATE			

PHILIPS IND. INC.  
 VENTLINE DIVISION  
 BRISTOL, INDIANA 46507

SCALE: SCALE  
 DWG. NO. PG 2 OF 4  
 DWGNO

FIRST USED	STANDARD
TITLE:	DO NOT SCALE DRAWING
SHEET 7	PART NO 133004