

FRONT OF VEHICLE

- (1B1) CODES/STANDARDS USA
- (265) CODES/STDS-CSA,CMVSS
- (21M) WASHER/DRYER PREP
- (54E) WASHER/DRYER
- (21N) DISHWASHER/BUILT-IN
- (215) DISHWASHER WITHOUT
- (43W) CABINET-LAVATORY
- (43V) CABINET-CHEST OF DRAWERS
- (43F) SHOWER SURROUND

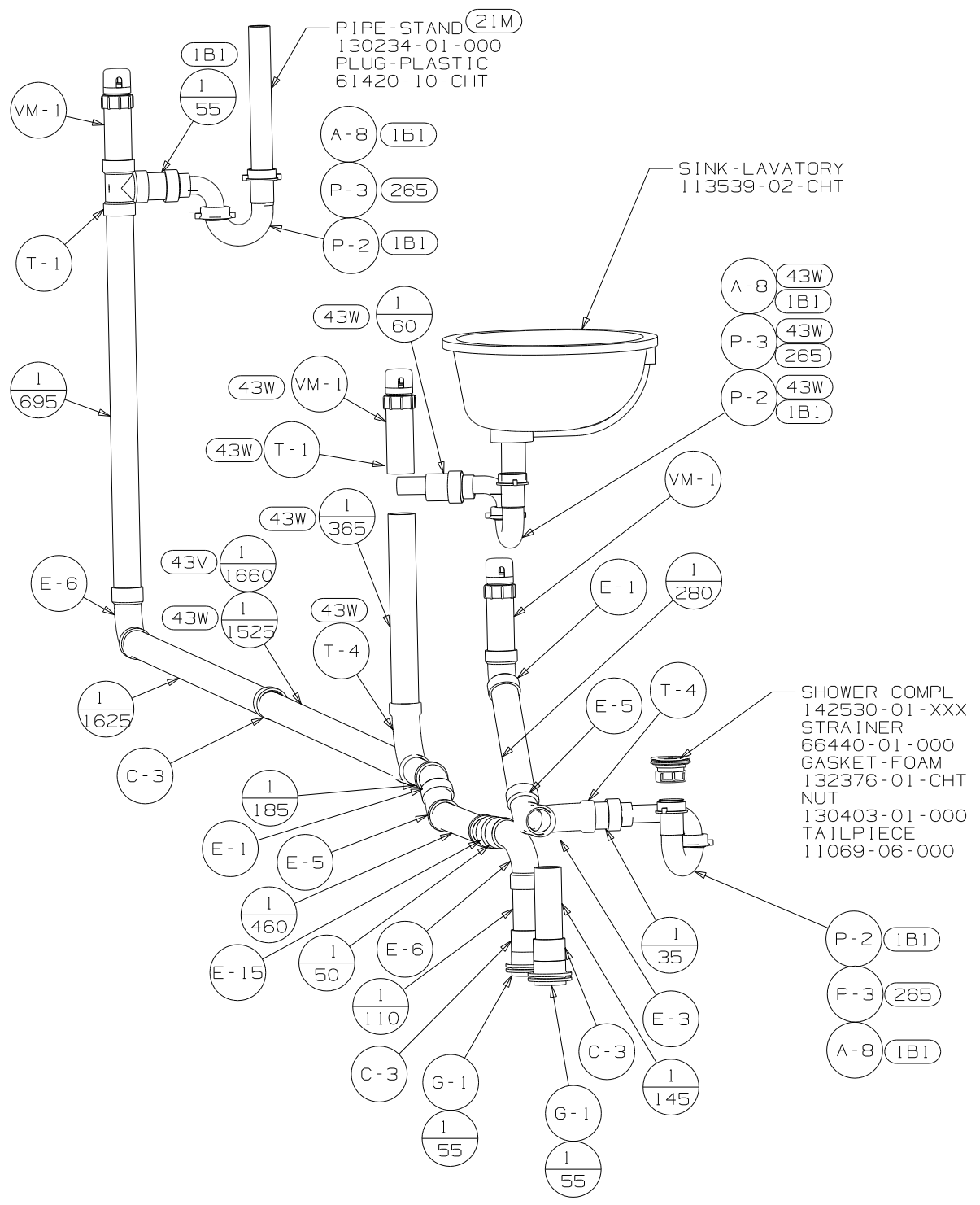
6 VENT PIPE MUST PROJECT 51 MIN AND 63.5 MAX ABOVE ROOF FOR PROPER FIT AND FUNCTION.

5. SEAL AROUND SHOWER WITH SILICONE.
4. ALL EXTERIOR OPENINGS AROUND PIPE TO BE SEALED WITH 110744-01-000.
3. ALL PIPE AND FITTINGS TO BE ASSEMBLED WITH SOLVENT 4020-01-000.
2. SLOPE OF TRAP ARM MUST BE 6 PER 305 MM.
1. SLOPE OF HORIZONTAL PIPING TO BE 6 PER 305 MM.

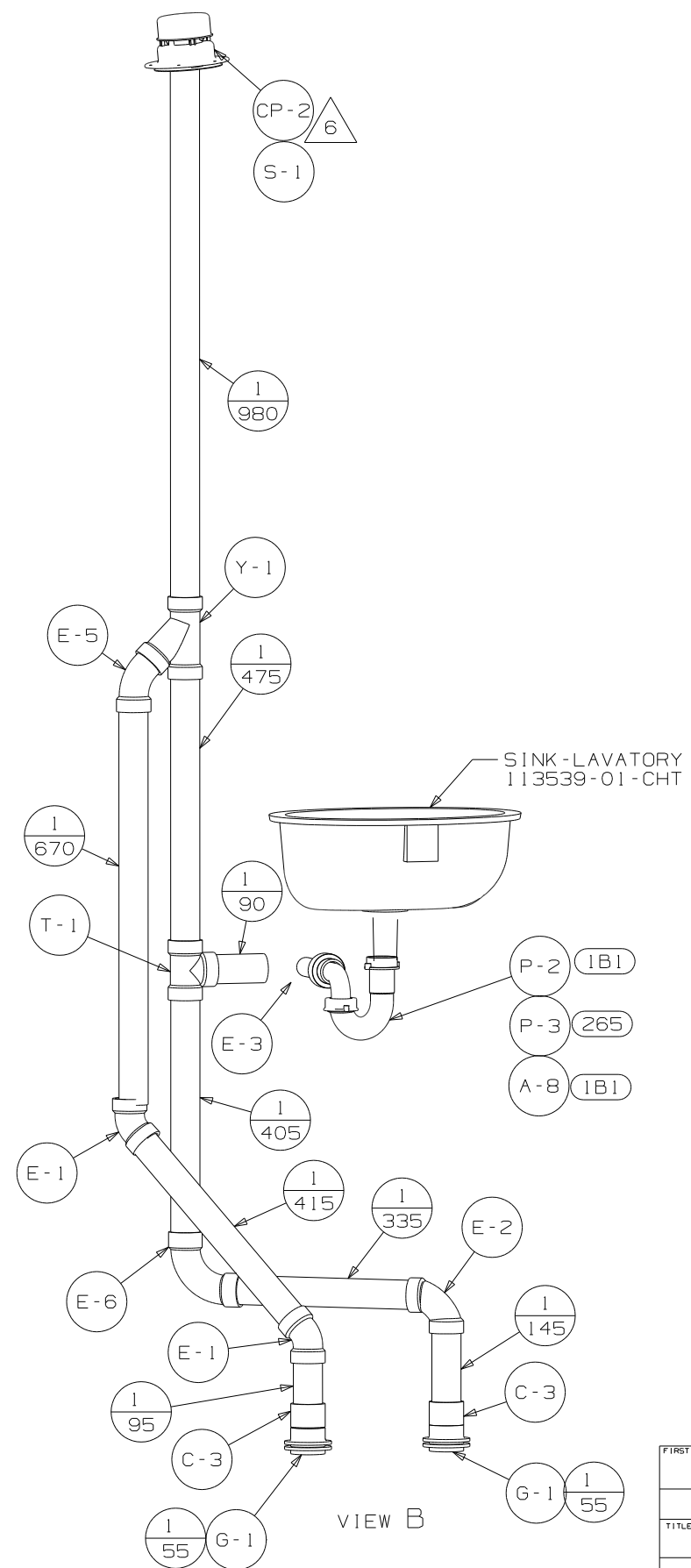
NOTES:

(X-X)
FOR DRAINAGE CALLOUTS SEE DWG NO 116229-01-000

WINNEBAGO		COPYRIGHT 2003 WINNEBAGO INDUSTRIES, INC.	
DFTR	ORIG. DATE	ALL DIMENSIONS ARE IN MILLIMETERS	
CHKR		FIRST USED	
P.E.		04 Q40KD	
M.E.			
DSNR			
UNSPECIFIED TOLERANCES ARE:		MATERIAL:	
WHOLE DIM (X)	: 7		
ONE-PLACE (X.X)	:		
TWO-PLACE (X.XX)	:		
ANGLE	:		
THIRD ANGLE PROJECTION			
DO NOT SCALE DRAWING			
TITLE: DRAINAGE SYSTEM INSTL			
SHEET 1 OF 4	PART NO	144785	

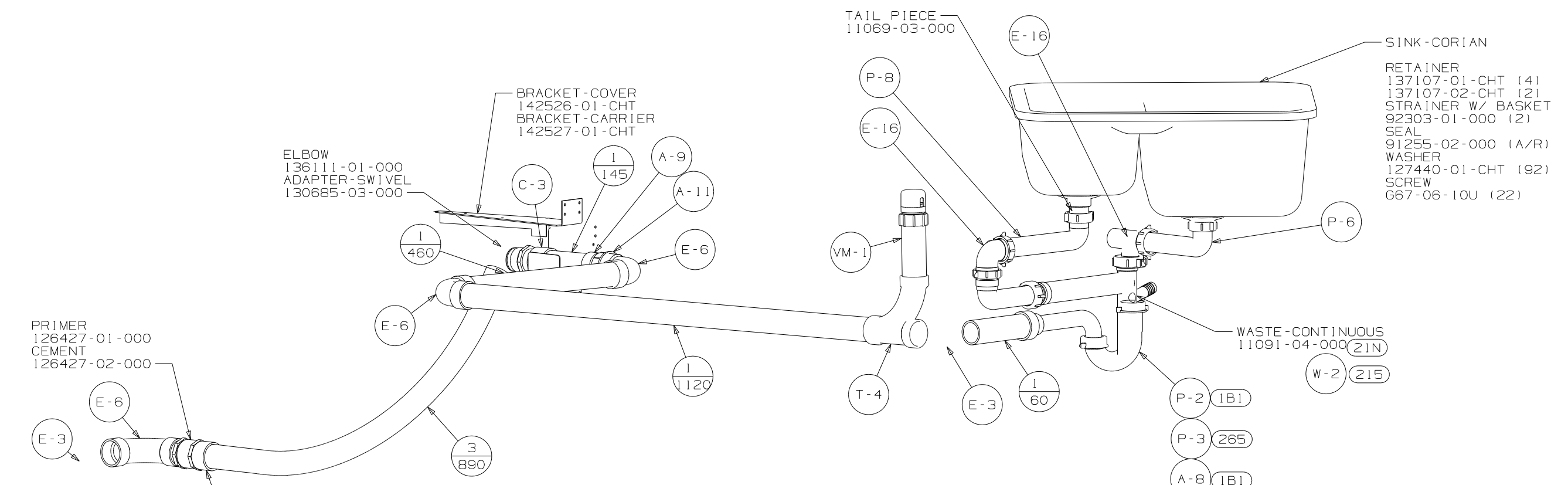


VIEW A

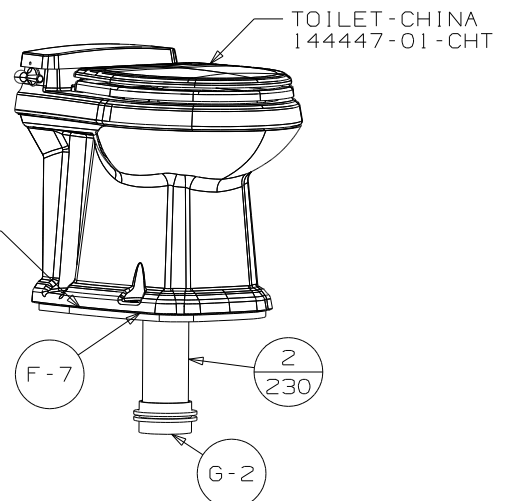


VIEW B

FIRST USED	04 Q40KD
DO NOT SCALE DRAWING	
TITLE	DRAINAGE SYSTEM INSTL
SHEET 2	PART NO 144785

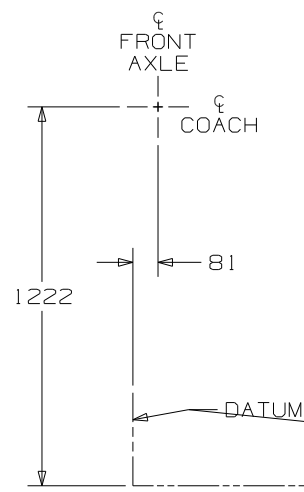


VIEW C

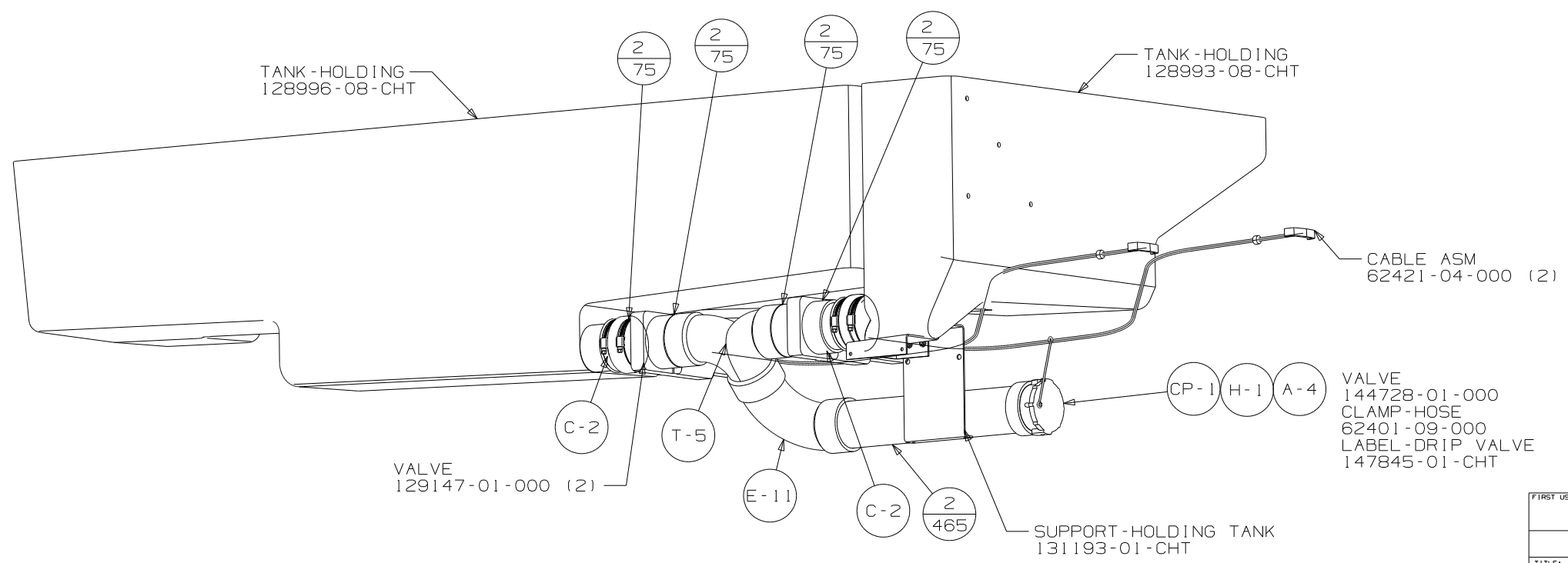
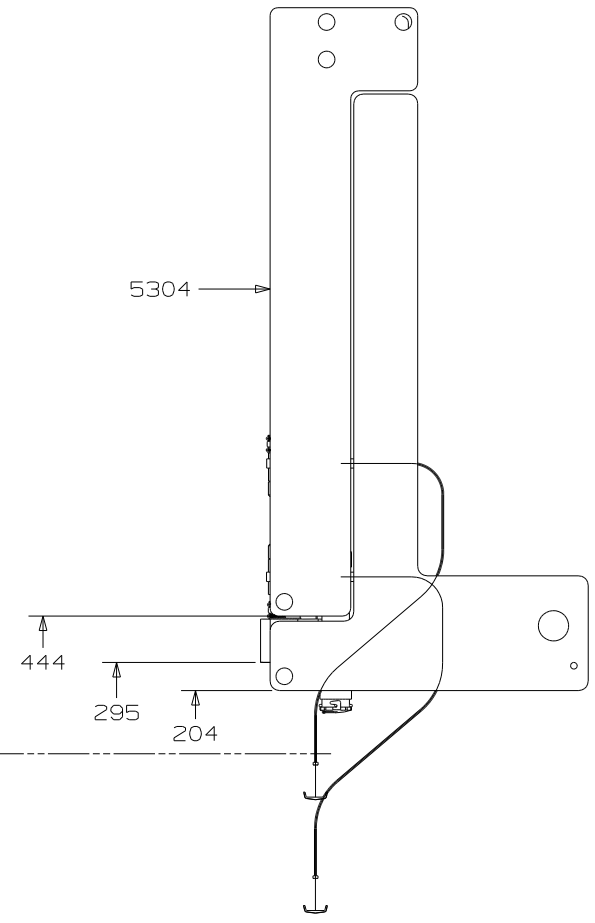


VIEW D

FIRST USED	04 Q40KD
TITLE	DO NOT SCALE DRAWING DRAINAGE SYSTEM INSTL
SHEET 3	PART NO 144785

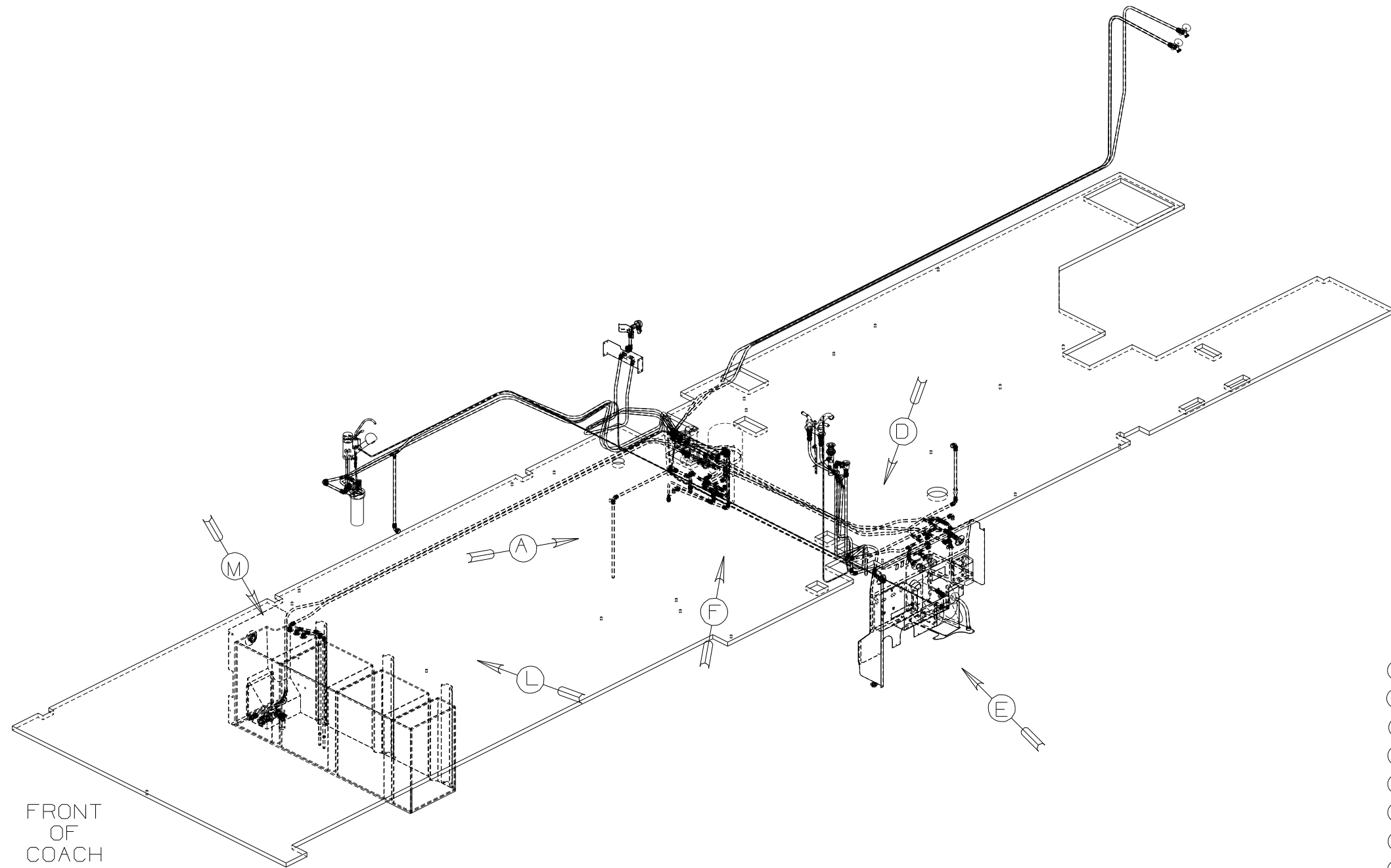


VIEW E



VIEW F

FIRST USED	04 Q40KD
DO NOT SCALE DRAWING	
TITLE	DRAINAGE SYSTEM INSTL
SHEET 4	PART NO 144785



- (43H) SHOWER HEAD-HAND HELD
- (43F) SHOWER SURROUND
- (54E) WASHER/DRYER
- (21M) WASHER/DRYER PREP
- (21N) DISHWASHER/BUILT-IN
- (215) DISHWASHER WITHOUT
- (43W) CABINET-LAVATORY
- (43V) CABINET-CHEST OF DRAWERS

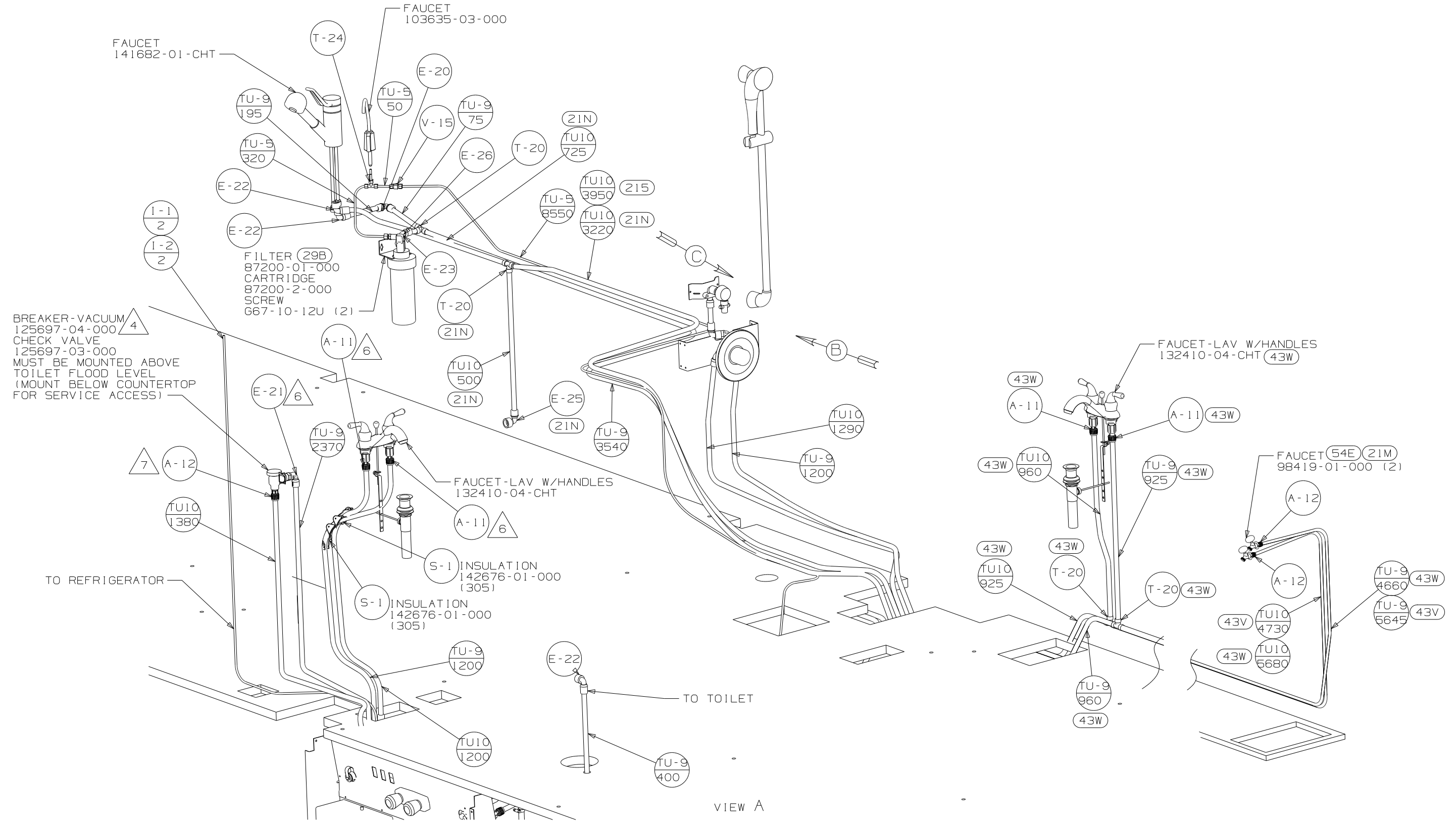
- 7 ADD TEFLON TAPE 10405-03-000.
- 6 ADD TEFLON TAPE 10405-01-000.
- 5 ADD TEFLON TAPE 10405-02-000..
- 4 FLUSHING SYSTEM REQUIRES 125697-06-000 INSTRUCTION SHEET.

- 3. ALL TUBING TO BE SECURED AT 1200 INTERVALS MAXIMUM WITH CLAMP 10495-01-000 OR CLIP 91951-01-000 AND SCREW G67-10-12B.
- 2. TUBING TO BE INSTALLED WITH SUFFICIENT SLOPE TO PROVIDE DRAINAGE TO NEAREST VALVE.
- 1. PLASTIC FITTINGS TO BE SEALED WITH SEALANT 84456-01-000.

NOTES:

(X-X)
FOR WATER CALLOUTS SEE DWG NO 116230-01-000

WINNEBAGO		COPYRIGHT 2002 WINNEBAGO INDUSTRIES, INC.	
DFTR	ORIG. DATE	ALL DIMENSIONS ARE IN MILLIMETERS	
CHKR		FIRST USED	
P.E.		04 Q40KD	
M.E.		UNSPECIFIED TOLERANCES ARE:	
DSNR		MATERIAL:	
		WHOLE DIM (X)	: 7
		ONE-PLACE (X.X)	:
		TWO-PLACE (X.XX)	:
		ANGLE	:
THIRD ANGLE PROJECTION		DO NOT SCALE DRAWING	
TITLE: WATER SYSTEM INSTL			
SHEET 1 OF 5		PART NO 144791	



BREAKER-VACUUM
125697-04-000
CHECK VALVE
125697-03-000
MUST BE MOUNTED ABOVE
TOILET FLOOD LEVEL
(MOUNT BELOW COUNTERTOP
FOR SERVICE ACCESS)

FILTER (29B)
87200-01-000
CARTRIDGE
87200-2-000
SCREW
667-10-12U (2)

FAUCET-LAV W/HANDLES
132410-04-CHT

S-1 INSULATION
142676-01-000
(305)

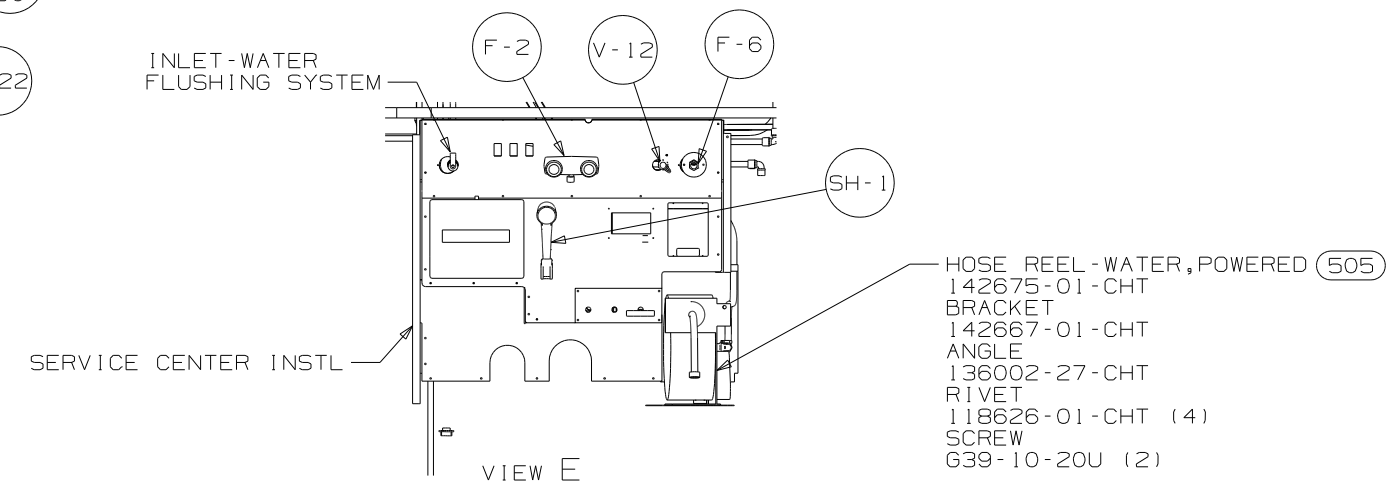
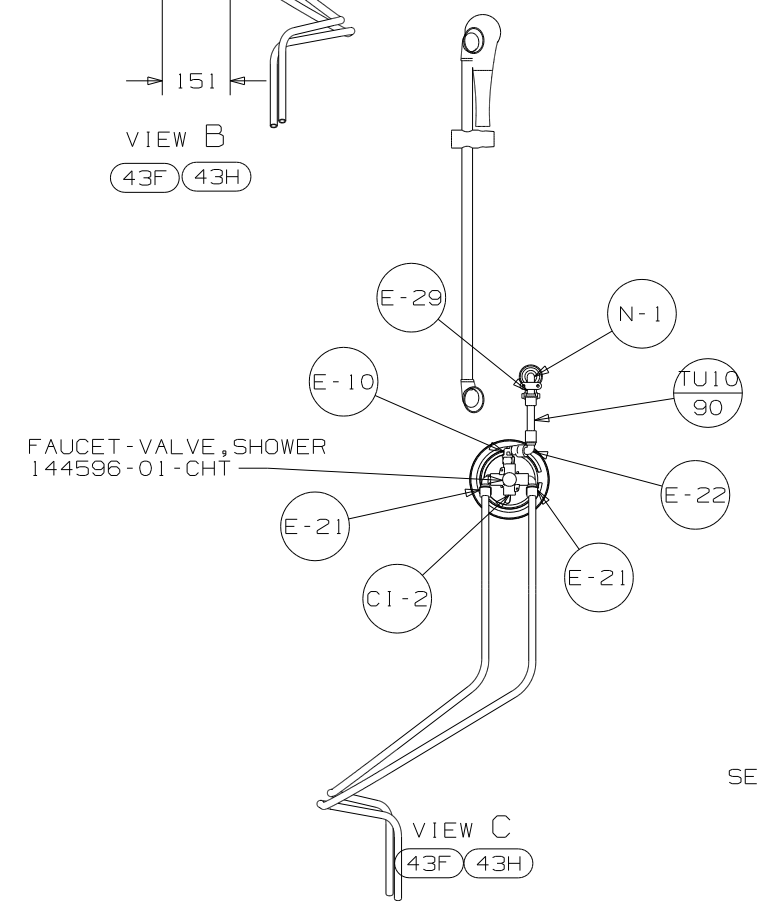
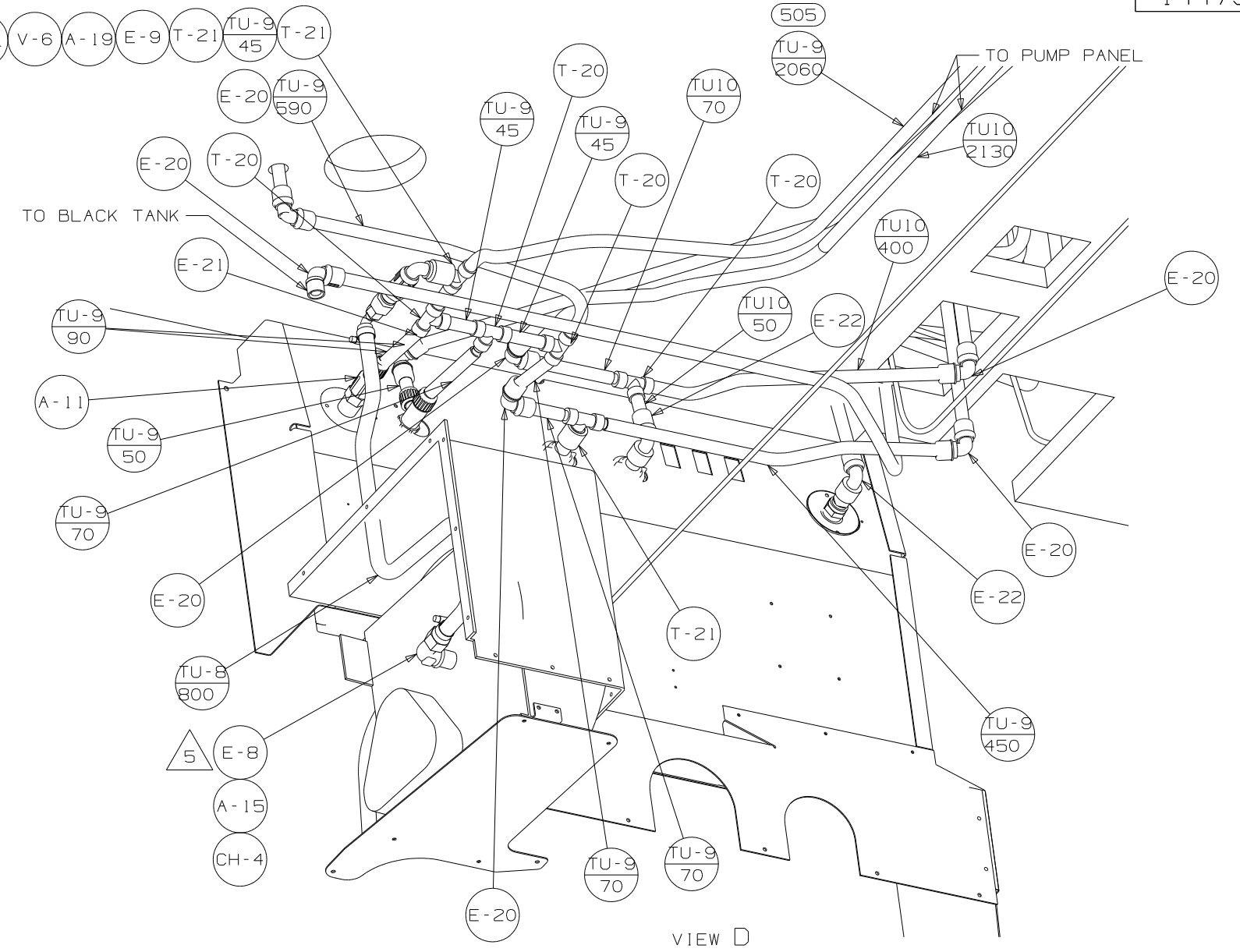
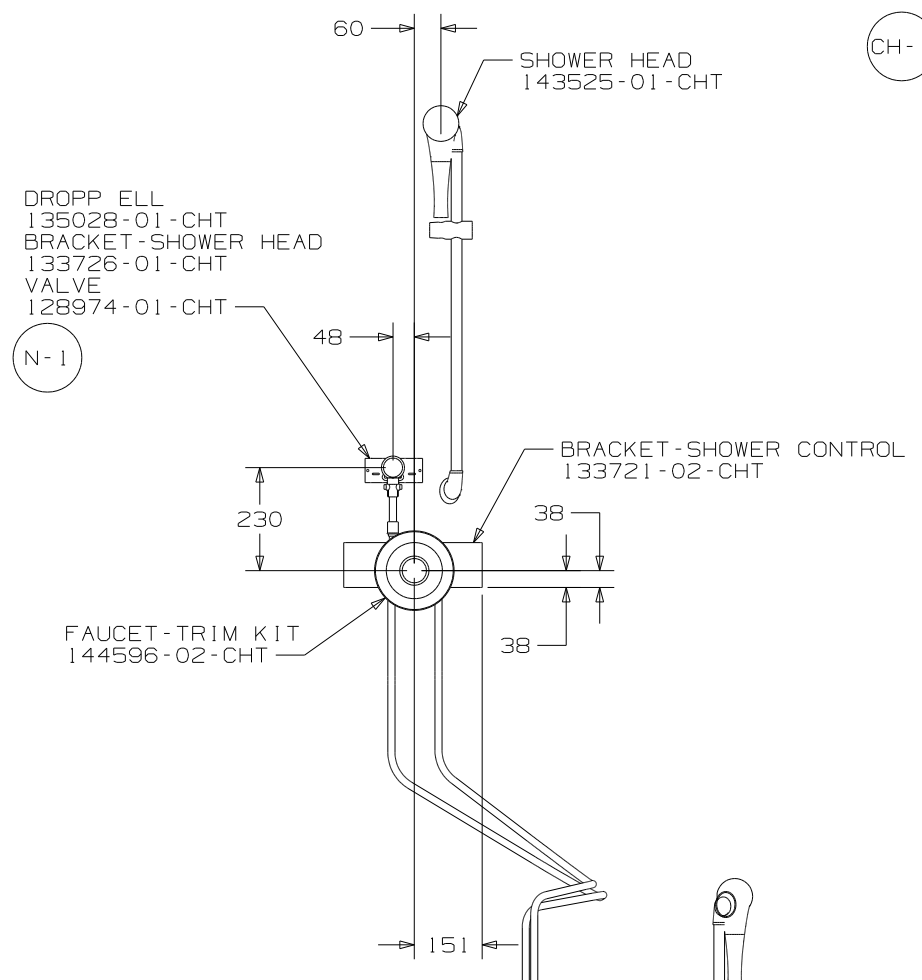
FAUCET-LAV W/HANDLES
132410-04-CHT (43W)

FAUCET (54E) (21M)
98419-01-000 (2)

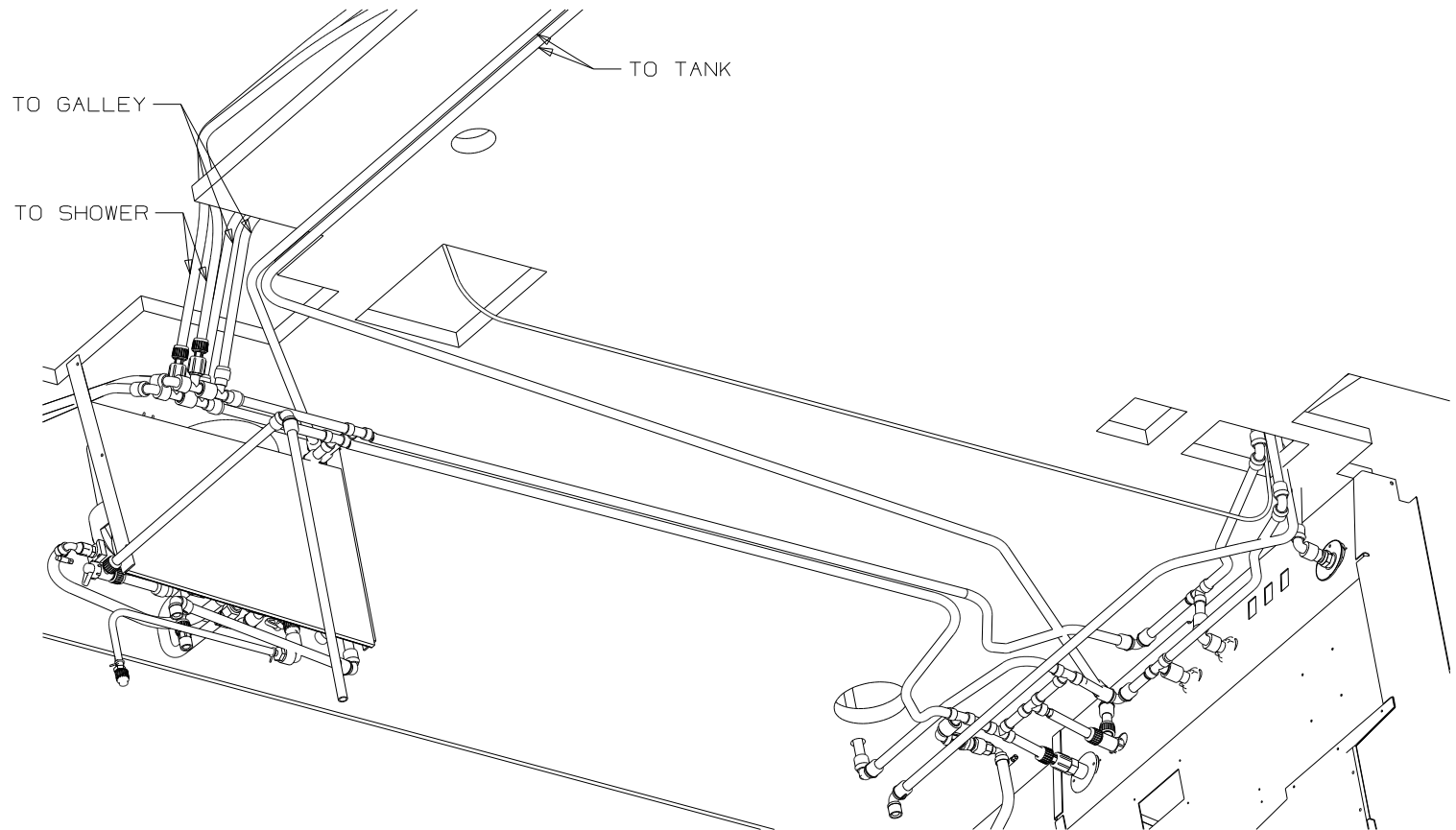
VIEW A

FIRST USED	04 Q40KD
TITLE	DO NOT SCALE DRAWING
TITLE	WATER SYSTEM INSTL
SHEET 2	PART NO 144791

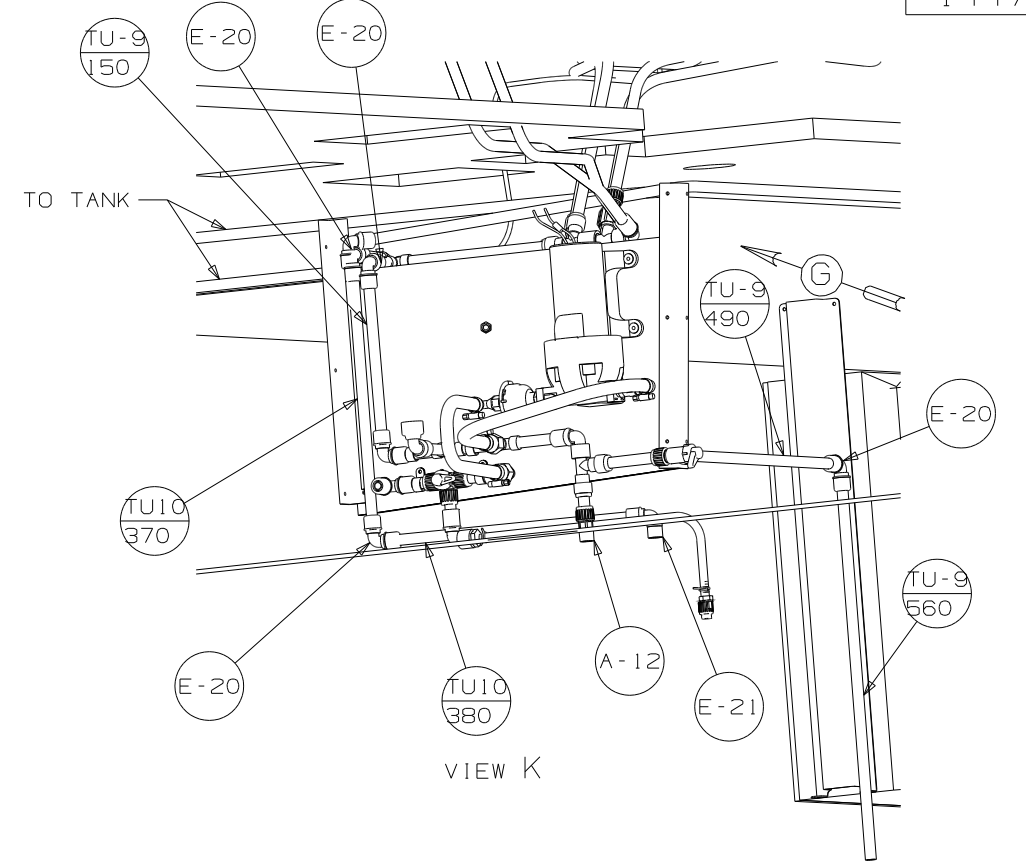
CH-1 E-30 A-12 TU-9/30 A-11 V-6 A-19 E-9 T-21 TU-9/45 T-21



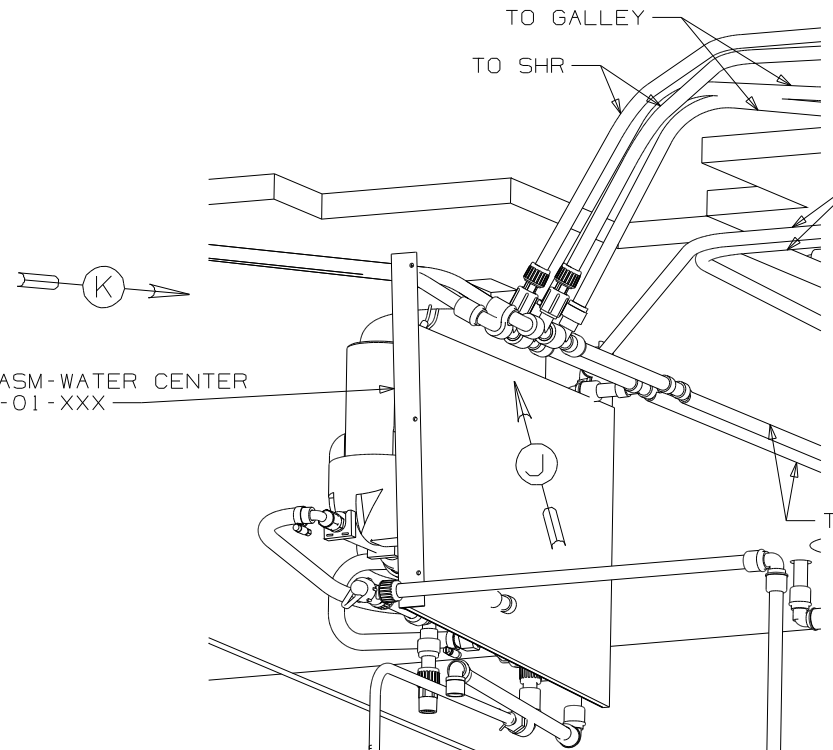
FIRST USED	04 Q40KD
TITLE	DO NOT SCALE DRAWING
TITLE	WATER SYSTEM INSTL
SHEET 3	PART NO 144791



VIEW F

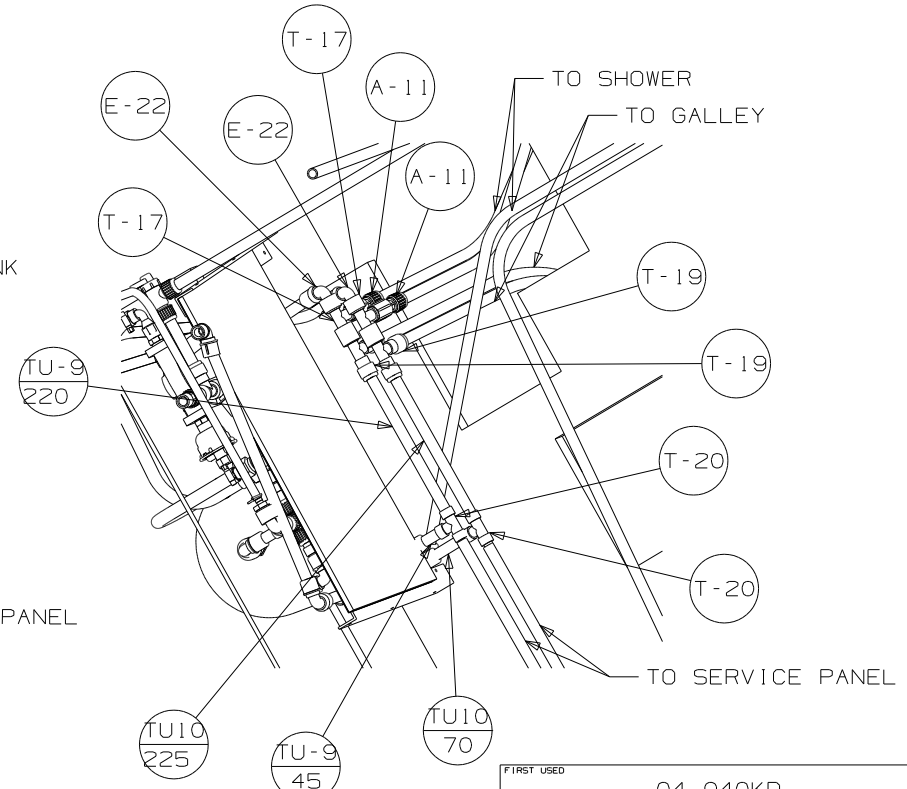


VIEW K



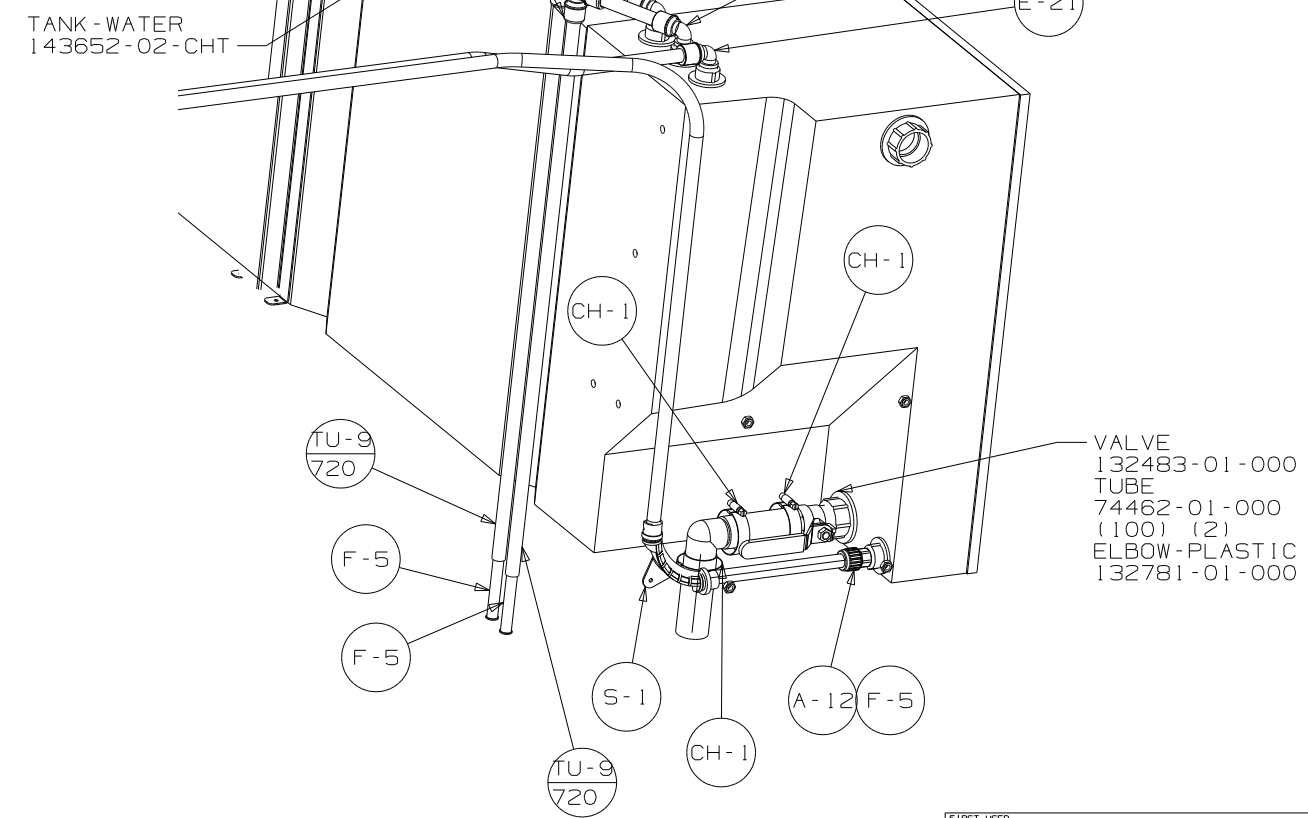
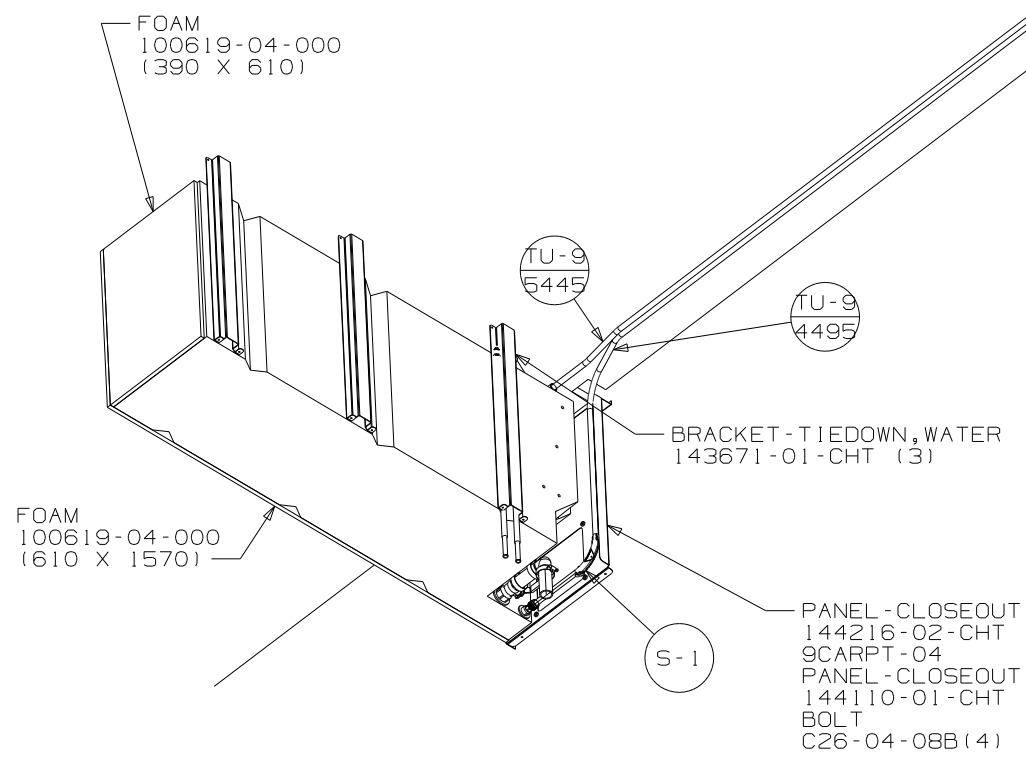
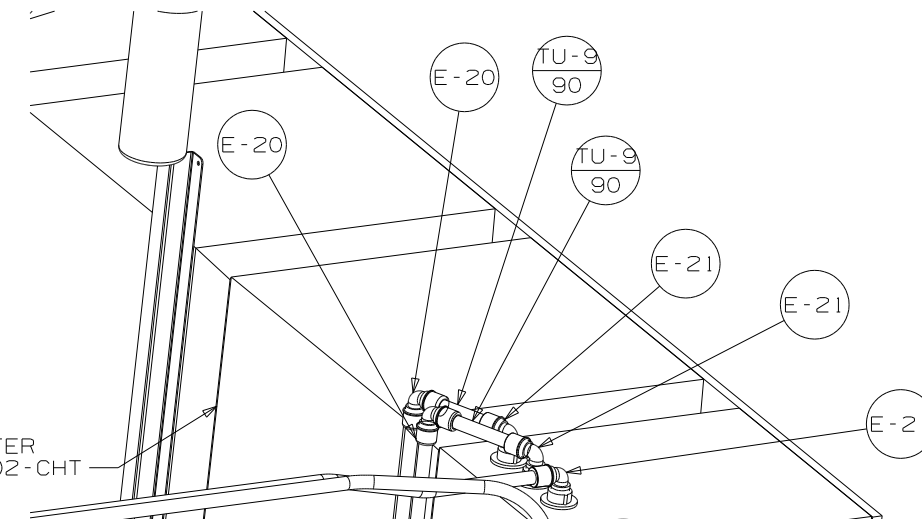
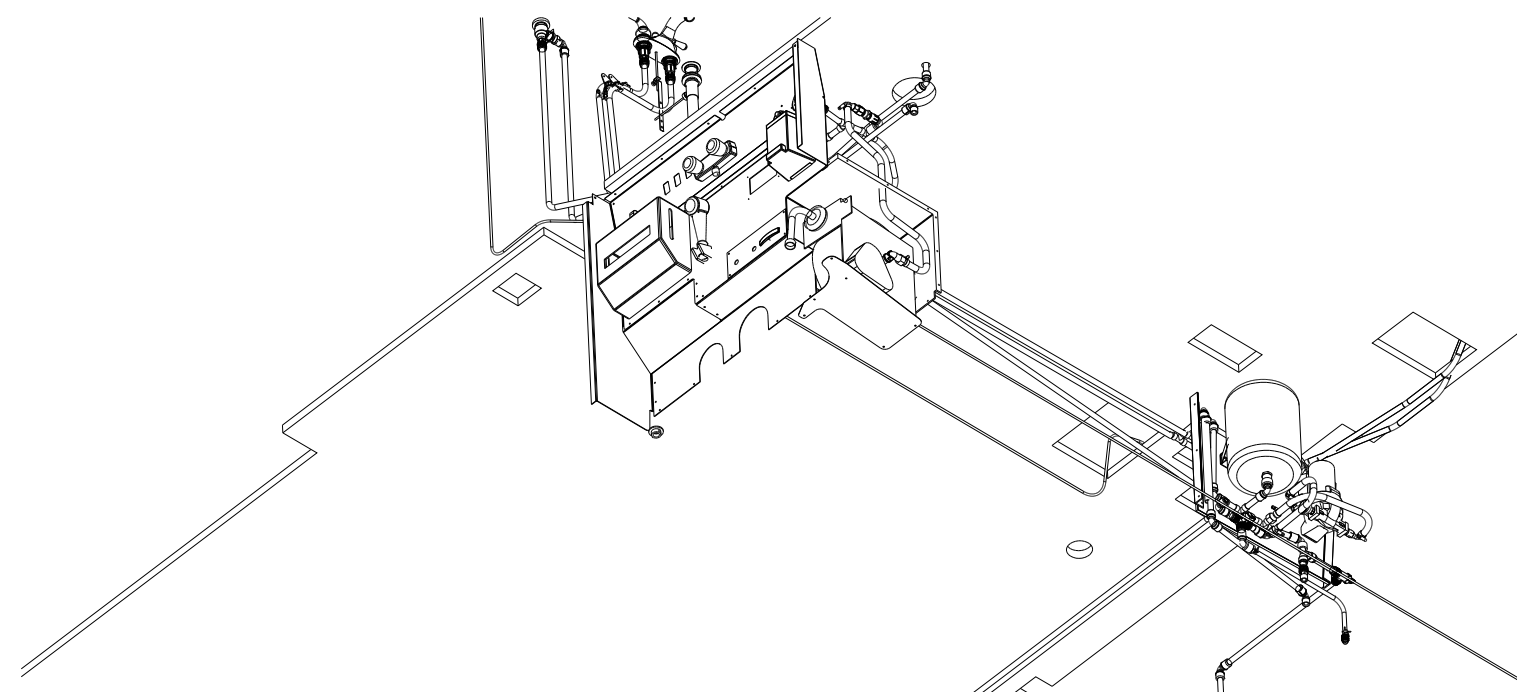
VIEW G

PANEL ASM-WATER CENTER
145820-01-XXX



VIEW J

FIRST USED	04 Q40KD
TITLE	DO NOT SCALE DRAWING
SHEET 4	PART NO 144791



VIEW L

VIEW M

FIRST USED	04 Q40KD
DO NOT SCALE DRAWING	
TITLE	WATER SYSTEM INSTL
SHEET 5	PART NO 144791