



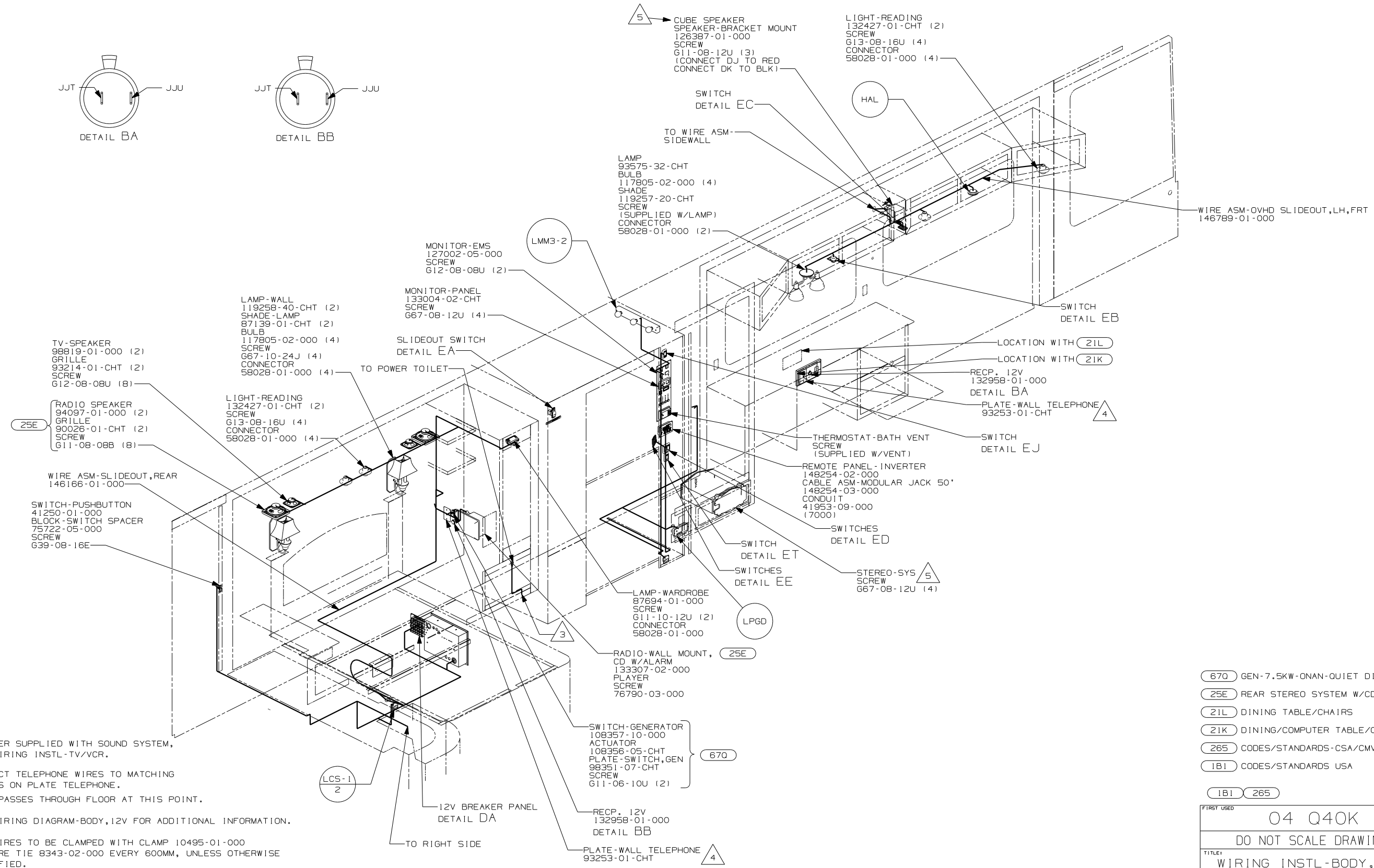
DANGER

Danger of electrical shock, burns or death. Always remove all power sources before attempting any repair, service or diagnostic work. Power can be present from shore power, generator, inverter or battery. All power sources must be disabled and secured before performing any service.



CAUTION

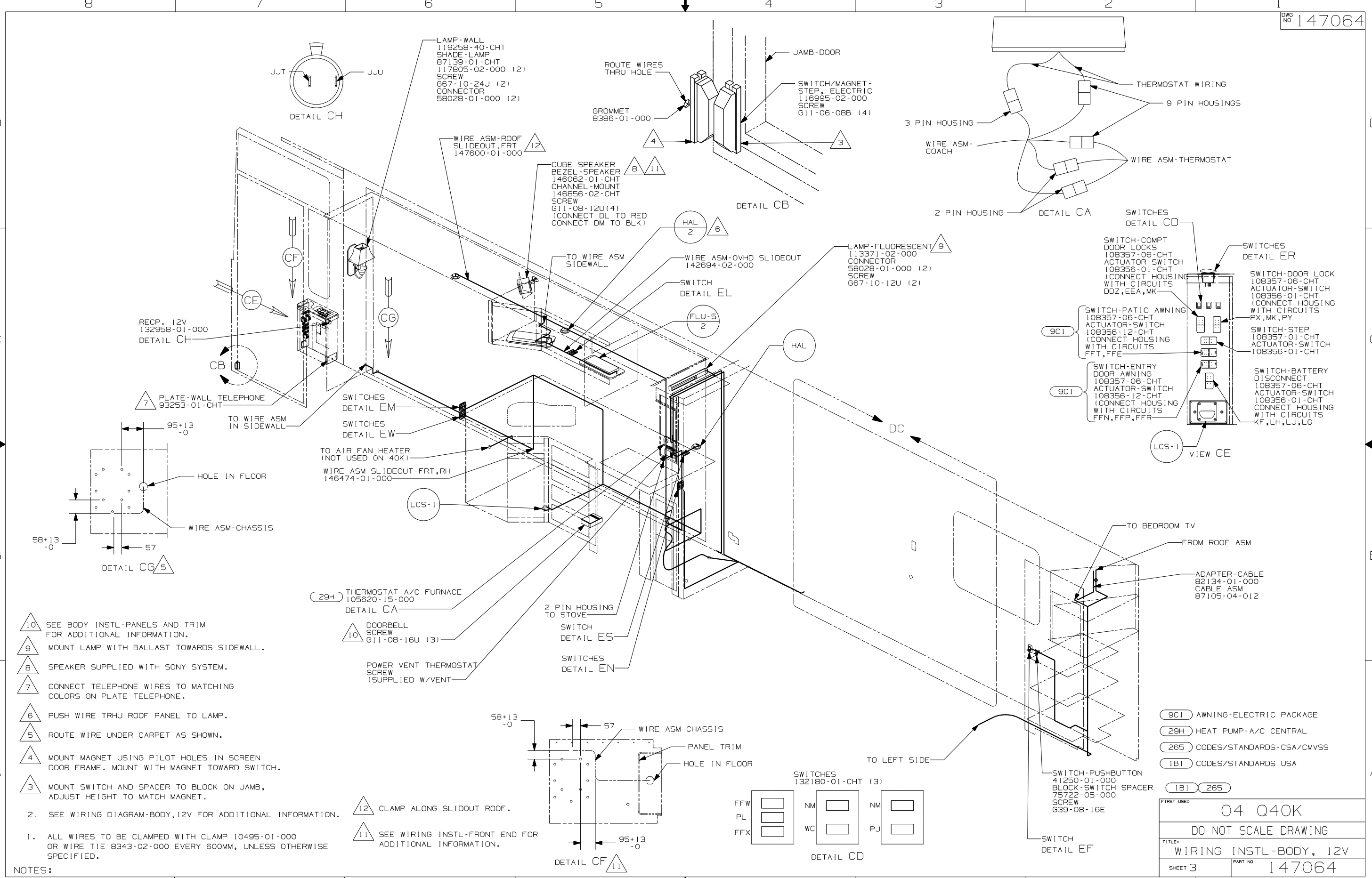
If you lack the skills, tools or equipment to perform diagnostic or repair work leave such work to an authorized Winnebago Industries dealer or other qualified shop.



- NOTES:
1. ALL WIRES TO BE CLAMPED WITH CLAMP 10495-01-000 OR WIRE TIE 8343-02-000 EVERY 600MM, UNLESS OTHERWISE SPECIFIED.
 2. SEE WIRING DIAGRAM-BODY, 12V FOR ADDITIONAL INFORMATION.
- △ 5 SPEAKER SUPPLIED WITH SOUND SYSTEM, SEE WIRING INSTL-TV/VCR.
- △ 4 CONNECT TELEPHONE WIRES TO MATCHING COLORS ON PLATE TELEPHONE.
- △ 3 WIRE PASSES THROUGH FLOOR AT THIS POINT.

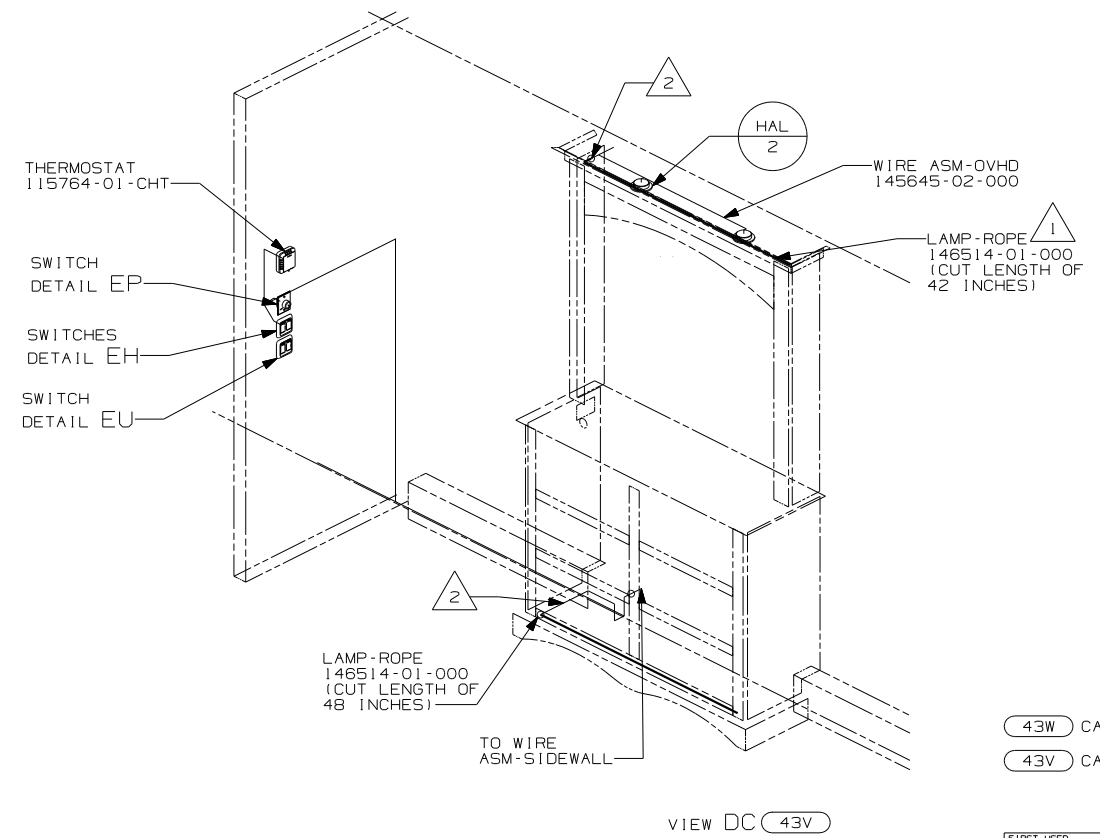
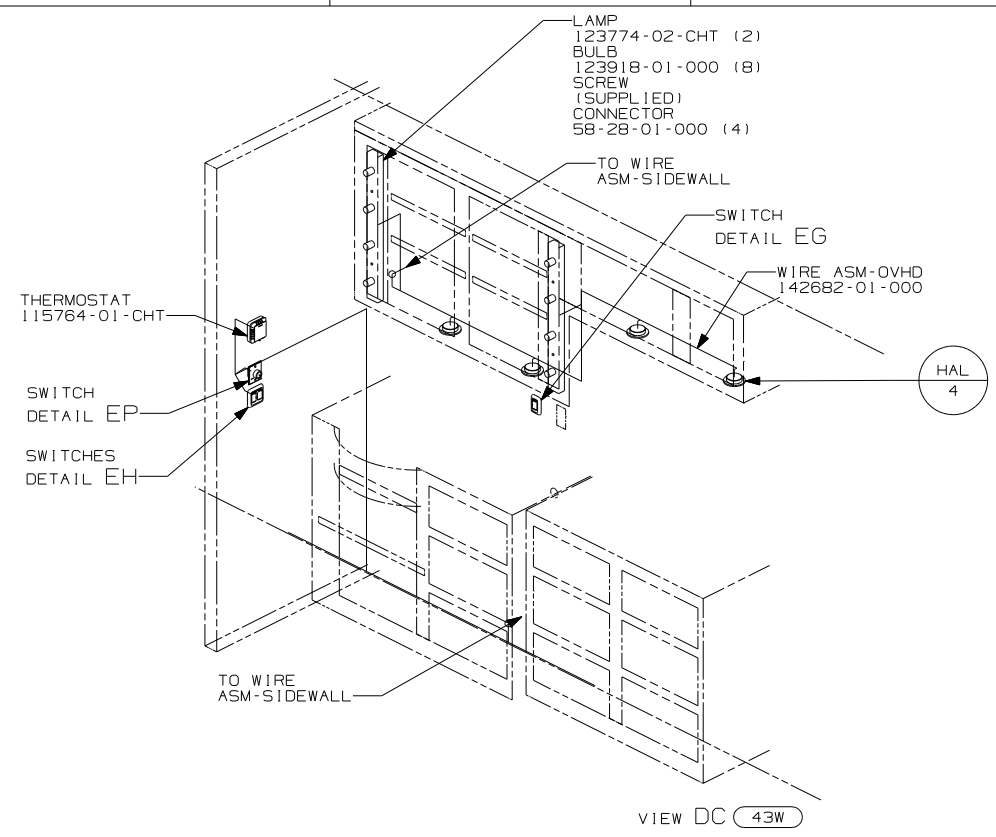
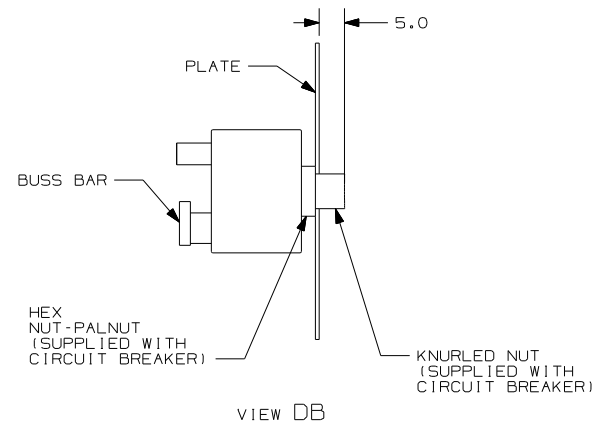
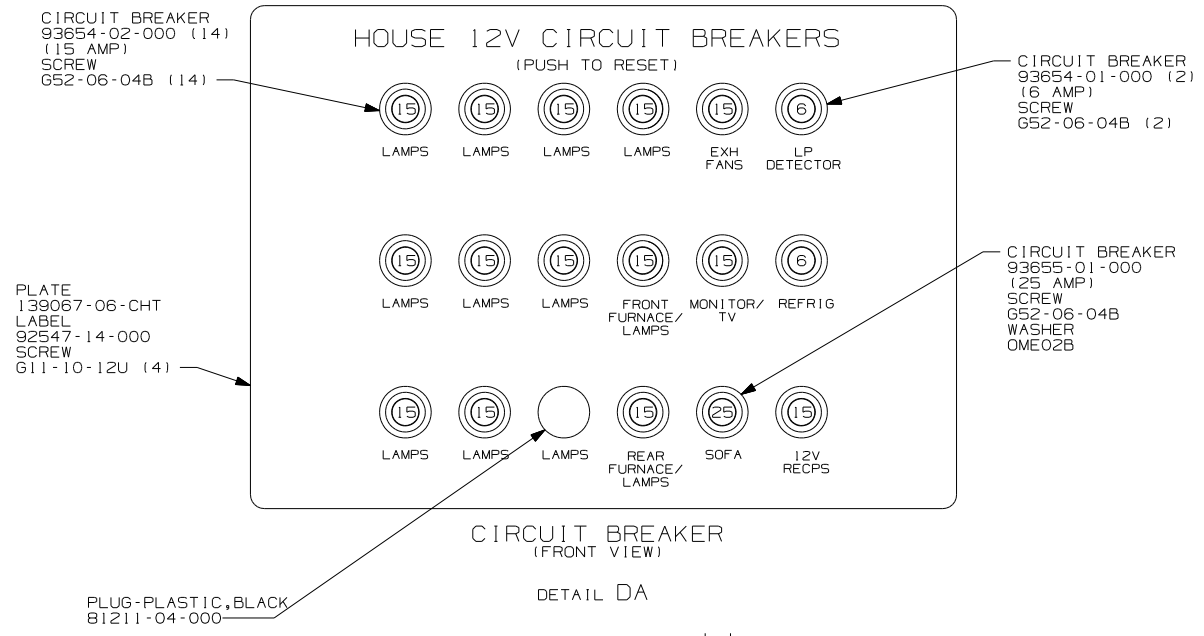
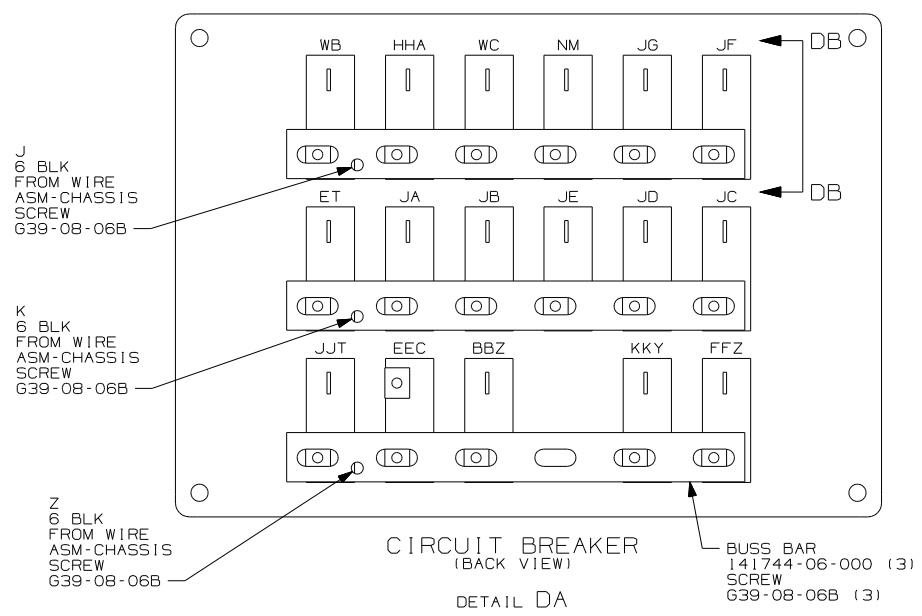
- (670) GEN-7.5KW-ONAN-QUIET DIESEL
- (25E) REAR STEREO SYSTEM W/CD
- (21L) DINING TABLE/CHAIRS
- (21K) DINING/COMPUTER TABLE/CHAIRS
- (265) CODES/STANDARDS-CSA/CMVSS
- (1B1) CODES/STANDARDS USA

FIRST USED	
04 Q40K	
DO NOT SCALE DRAWING	
TITLE: WIRING INSTL-BODY, 12V	
SHEET 2	PART NO 147064



- NOTES:
- 1. ALL WIRES TO BE CLAMPED WITH CLAMP 10495-01-000 OR WIRE TIE 8343-02-000 EVERY 600MM, UNLESS OTHERWISE SPECIFIED.
 - 2. SEE WIRING DIAGRAM-BODY,12V FOR ADDITIONAL INFORMATION.
 - 3. MOUNT SWITCH AND SPACER TO BLOCK ON JAMB, ADJUST HEIGHT TO MATCH MAGNET.
 - 4. MOUNT MAGNET USING PILOT HOLES IN SCREEN DOOR FRAME. MOUNT WITH MAGNET TOWARD SWITCH.
 - 5. ROUTE WIRE UNDER CARPET AS SHOWN.
 - 6. PUSH WIRE THRU ROOF PANEL TO LAMP.
 - 7. CONNECT TELEPHONE WIRES TO MATCHING COLORS ON PLATE TELEPHONE.
 - 8. SPEAKER SUPPLIED WITH SONY SYSTEM.
 - 9. MOUNT LAMP WITH BALLAST TOWARDS SIDEWALL.
 - 10. SEE BODY INSTL-PANELS AND TRIM FOR ADDITIONAL INFORMATION.

- 11. SEE WIRING INSTL-FRONT END FOR ADDITIONAL INFORMATION.
- 12. CLAMP ALONG SLIDOUT ROOF.
- 29H THERMOSTAT A/C FURNACE 105620-15-000 DETAIL CA
- 10 DOORBELL SCREW 611-08-16U (3)
- POWER VENT THERMOSTAT SCREW (SUPPLIED W/VENT)
- 2 PIN HOUSING TO STOVE
- SWITCH DETAIL ES
- SWITCHES DETAIL EN
- WIRE ASM-CHASSIS
- PANEL TRIM
- HOLE IN FLOOR
- 58+13 -0
- 57
- DETAIL CF
- SWITCHES 132180-01-CHT (3)
- FFW PL FFX
- NM WC
- NM PJ
- DETAIL CD
- TO LEFT SIDE
- SWITCH-PUSHBUTTON 41250-01-000
- BLOCK-SWITCH SPACER 75722-05-000
- SCREW 639-08-16E
- SWITCH DETAIL EF
- TO BEDROOM TV
- FROM ROOF ASM
- ADAPTER-CABLE 82134-01-000
- CABLE ASM 87105-04-012
- 9C1 AWNING-ELECTRIC PACKAGE
- 29H HEAT PUMP-A/C CENTRAL
- 265 CODES/STANDARDS-CSA/CMVSS
- 1B1 CODES/STANDARDS USA
- 1B1 265
- FIRST USED 04 Q40K
- TITLE DO NOT SCALE DRAWING
- WIRING INSTL-BODY, 12V
- SHEET 3 PART NO 147064



- 43W CABINET-LAVATORY
- 43V CABINET-CHEST OF DRAWERS

NOTES:

2 PLACE CONNECTOR HERE TO MAKE CONNECTION TO MATING HOUSING.

1 CUT ROPE LIGHT AT X MARKS ON LIGHT AND INSTALL CONNECTOR 146514-02-000.

FIRST USED	04 Q40K
TITLE	DO NOT SCALE DRAWING
	WIRING INSTL-BODY, 12V
SHEET 4	PART NO 147064

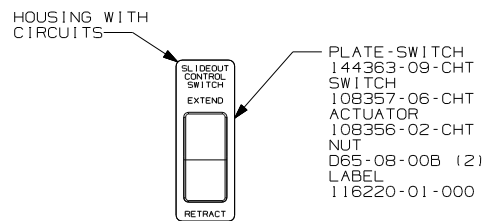
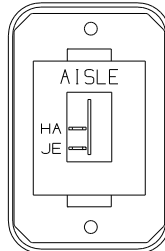


PLATE-SWITCH
144363-09-CHT
SWITCH
108357-06-CHT
ACTUATOR
108356-02-CHT
NUT
D65-08-00B (2)
LABEL
116220-01-000

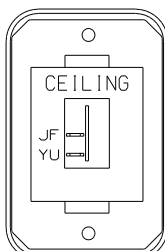
WARNING UNDERSTAND OPERATOR'S MANUAL BEFORE USING
KEEP PEOPLE AND OPERATORS CLEAR OF
SLIDING ROOM WHEN OPERATING TO AVOID
HEAVY AND/OR PROPERTY DAMAGE

DETAIL EA



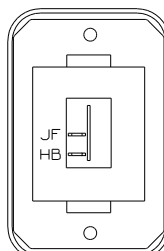
SWITCH-ROCKER
135740-01-CHT
SWITCH-BASE
135741-01-CHT
SWITCH-BEZEL
135742-06-CHT
SCREW
G11-08-08U (2)

DETAIL EF



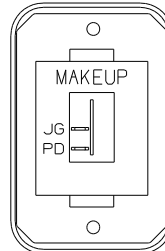
SWITCH-ROCKER
135740-01-CHT
SWITCH-BASE
135741-01-CHT
SWITCH-BEZEL
135742-07-CHT
SCREW
G11-08-08U (2)

DETAIL EL



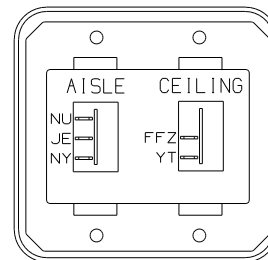
SWITCH-ROCKER
135740-01-CHT
SWITCH-BASE
135741-01-CHT
SWITCH-BEZEL
135742-01-CHT
SCREW
G11-08-08U (2)

DETAIL ES



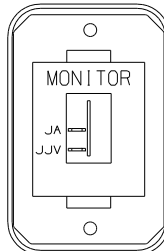
SWITCH-ROCKER
135740-01-CHT
SWITCH-BASE
135741-01-CHT
SWITCH-BEZEL
135742-08-CHT
SCREW
G11-08-08U (2)

DETAIL EG



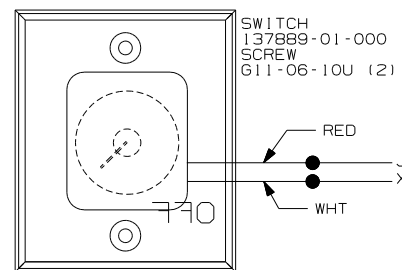
SWITCH-ROCKER
135740-01-CHT
135740-02-CHT
SWITCH-BASE
135741-02-CHT
SWITCH-BEZEL
135742-13-CHT
SCREW
G11-08-08U (4)

DETAIL EM



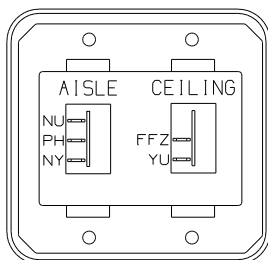
SWITCH-ROCKER
135740-01-CHT
SWITCH-BASE
135741-01-CHT
SWITCH-BEZEL
135742-30-CHT
SCREW
G11-08-08U (2)

DETAIL ET



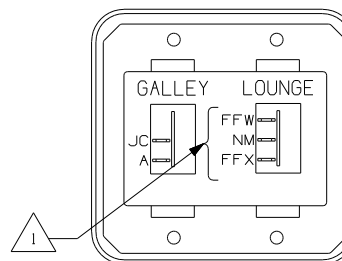
SWITCH
137889-01-000
SCREW
G11-06-10U (2)

DETAIL EB



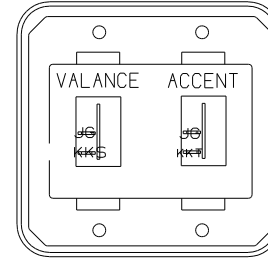
SWITCH-ROCKER
135740-01-CHT
135740-02-CHT
SWITCH-BASE
135741-02-CHT
SWITCH-BEZEL
135742-13-CHT
SCREW
G11-08-08U (4)

DETAIL EH



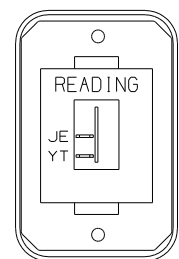
SWITCH-ROCKER
135740-01-CHT
135740-02-CHT
SWITCH-BASE
135741-02-CHT
SWITCH-BEZEL
135742-18-CHT
SCREW
G11-08-08U (4)

DETAIL EN



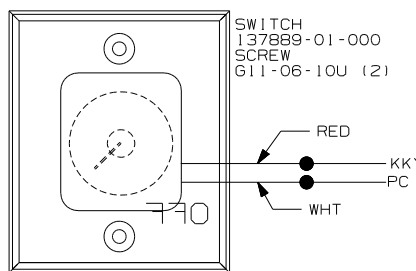
SWITCH-ROCKER
135740-01-CHT (2)
SWITCH-BASE
135741-02-CHT
SWITCH-BEZEL
135742-36-CHT
SCREW
G11-08-08U (4)

DETAIL EU



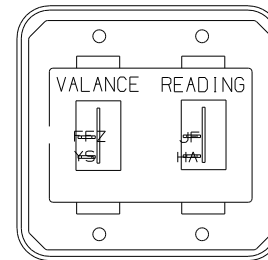
SWITCH-ROCKER
135740-01-CHT
SWITCH-BASE
135741-01-CHT
SWITCH-BEZEL
135742-01-CHT
SCREW
G11-08-08U (2)

DETAIL EC



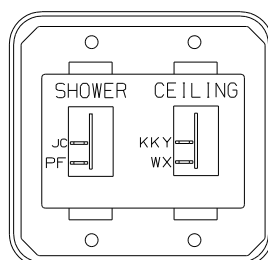
SWITCH
137889-01-000
SCREW
G11-06-10U (2)

DETAIL EP



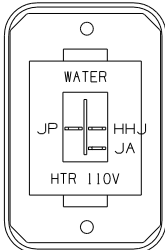
SWITCH-ROCKER
135740-01-CHT (2)
SWITCH-BASE
135741-02-CHT
SWITCH-BEZEL
135742-37-CHT
SCREW
G11-08-08U (4)

DETAIL EW



SWITCH-ROCKER
135740-01-CHT (2)
SWITCH-BASE
135741-02-CHT
SWITCH-BEZEL
135742-15-CHT
SCREW
G11-08-08U (4)

DETAIL ED



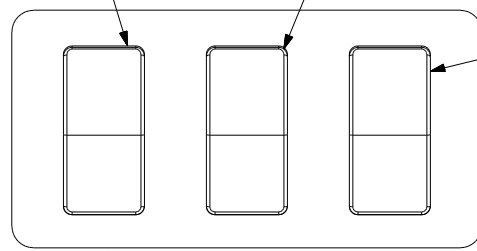
SWITCH-ROCKER
135740-06-CHT
SWITCH-BASE
135741-01-CHT
SWITCH-BEZEL
135742-35-CHT
SCREW
G11-08-08U (2)

DETAIL EJ

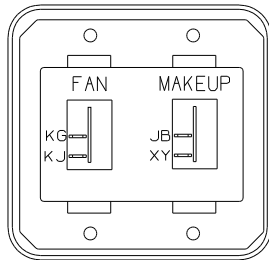
SWITCH-COVER
108357-06-000
ACTUATOR-SWITCH
108356-01-CHT
CIRCUITS
GX, HHC, KA, HHD

SWITCH-VISOR
108357-06-000
ACTUATOR-SWITCH
108356-01-CHT
CIRCUITS
HHN, MK, HHM, MN

SWITCH-LAMPS
108357-01-000
ACTUATOR-SWITCH
108356-01-CHT
CIRCUITS
NM, HA



DETAIL ER



SWITCH-ROCKER
135740-01-CHT (2)
SWITCH-BASE
135741-02-CHT
SWITCH-BEZEL
135742-14-CHT
SCREW
G11-08-08U (4)

DETAIL EE

1 FROM WIRE ASM-CHASSIS

NOTES:

- (265) CODES/STANDARDS-CSA/CMVSS
- (1B1) CODES/STANDARDS USA
- (1B1) 265

FIRST USED	04 Q40K
TITLE	DO NOT SCALE DRAWING
WIRING INSTL-BODY, 12V	
SHEET 5	PART NO 147064

LIGHT-FLUORESCENT
133416-03-000 (4)
BULB
(SUPPLIED W/LAMP)
BRACKET
145711-01-CHT (2)

HAL
3

LSH-1

LIGHT
093575-34-CHT
BULB
117805-01-000 (5)
SCREW
G11-08-16U (3)
CONNECTOR
58028-01-000 (2)

HAL
6

LF1N2
2

LIGHT
146048-01-000
SCREW
G11-08-16U (2)
CONNECTOR
58028-01-000 (2)

FLUN3

SHROUD-CEILING LT
98023-01-CHT (4)

LF1-1
4

LF1N2

SWITCH-PUSHBUTTON
41250-01-000
SCREW
G39-08-16E (4)

LF1-1

WASHER-PLASTIC
087080-02-CHT

SWITCH-PUSHBUTTON
41250-01-000 (5)
BLOCK-SWITCH SPACER
75722-05-000 (5)
SCREW
G39-08-16E (20)

BRACKET-LAMP, FLOURESCENT
129963-01-CHT
LAMP
127327-01-CHT
SCREW
G11-08-08B (4)
CONNECTOR
58028-01-000 (2)
SCREW
G39-08-08B (2)

LF1-1

265 CODES/STANDARDS-CSA/CMVSS

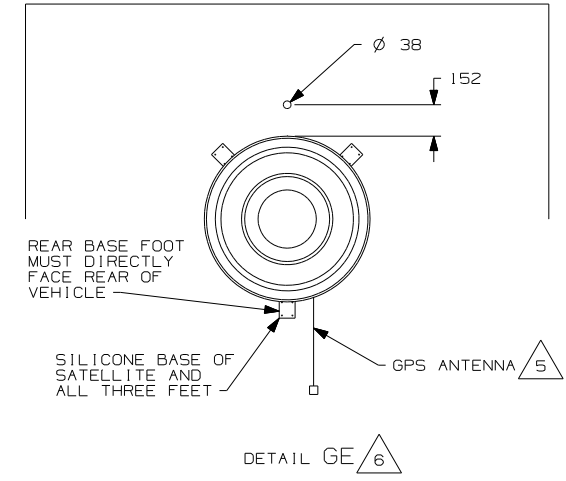
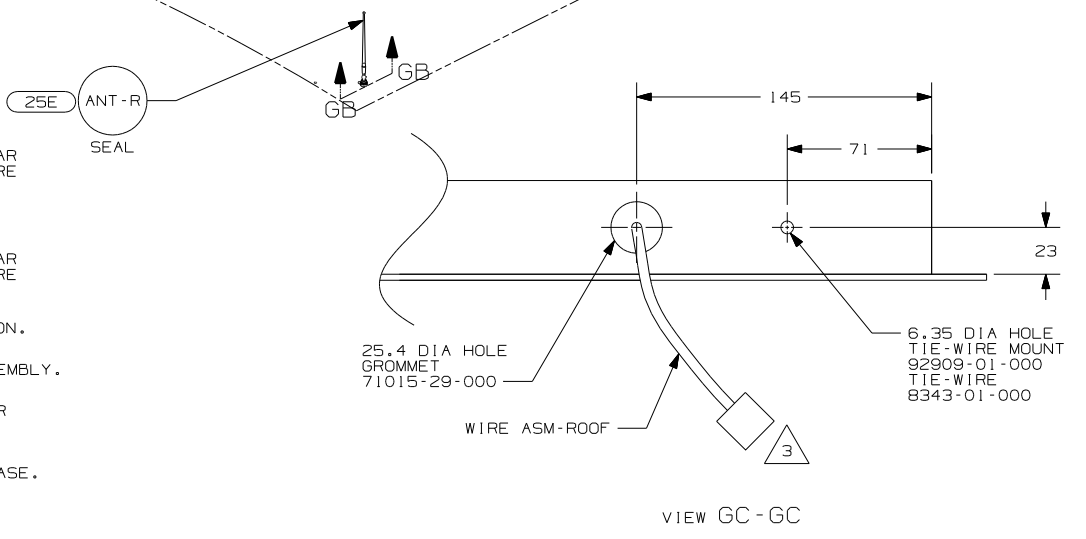
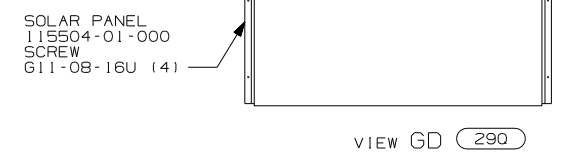
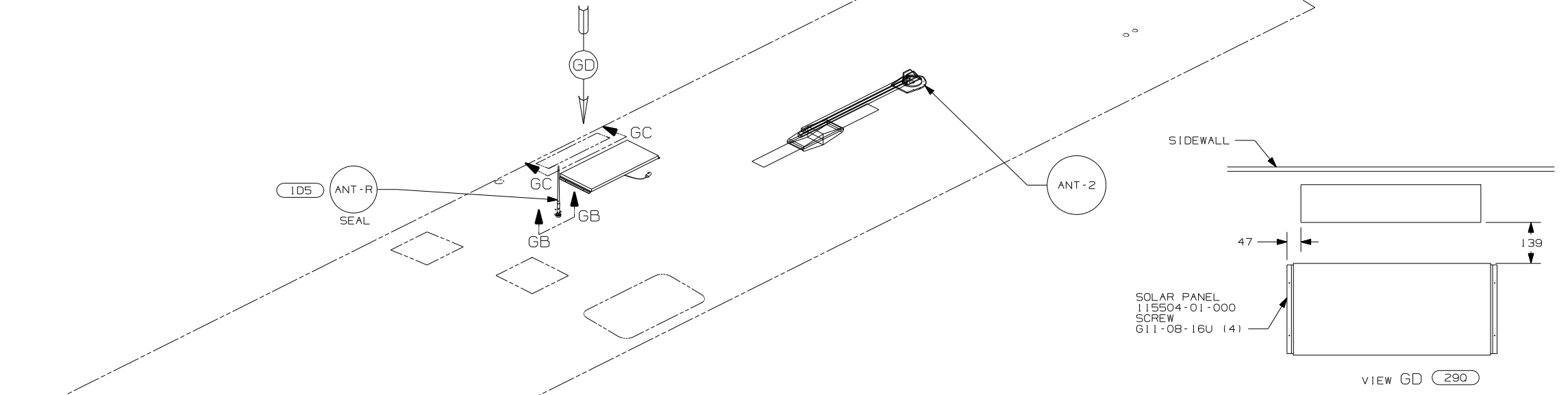
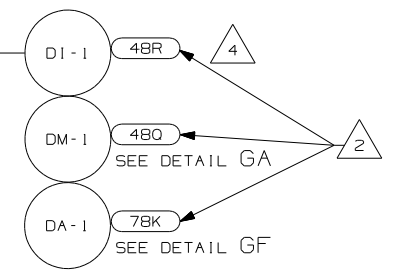
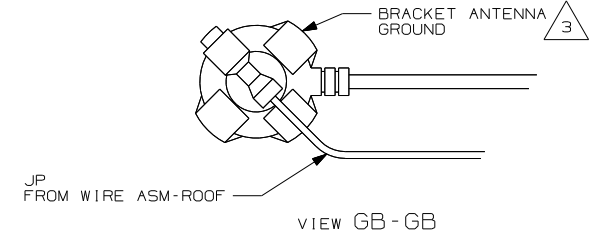
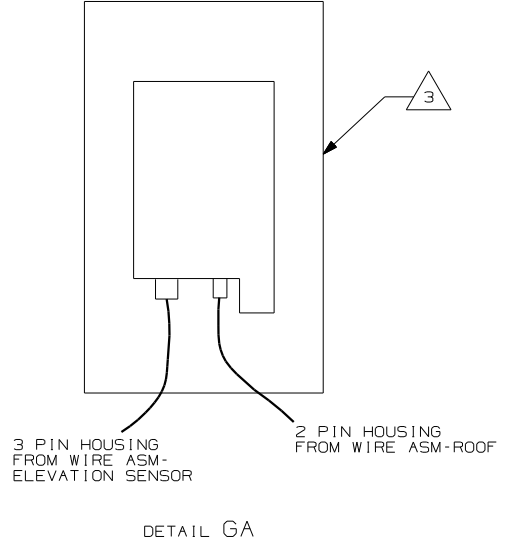
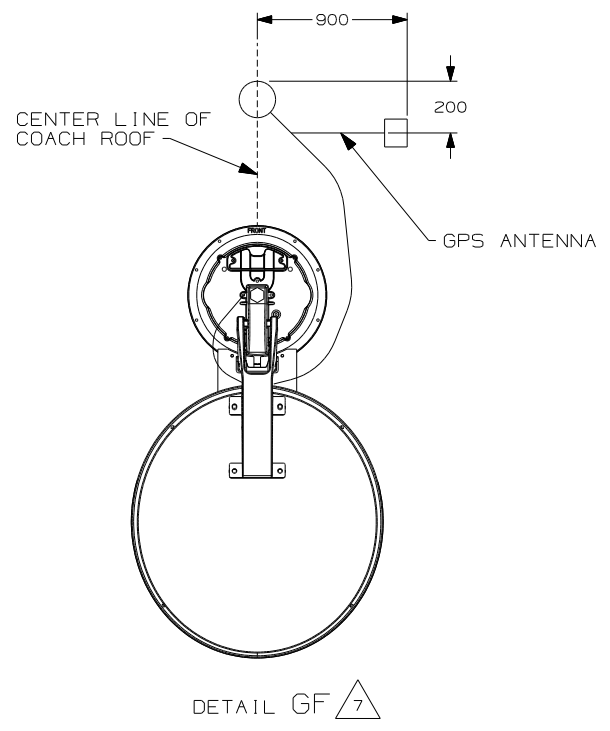
1B1 CODES/STANDARDS USA

1B1 265

FIRST USED	04 Q40K
TITLE	DO NOT SCALE DRAWING
WIRING INSTL-BODY, 12V	
SHEET 6	PART NO 147064

1 2 PIN HOUSING TO ROPE LIGHT IS NOT USED ON THIS UNIT.

NOTES:



- NOTES:
- 7 MOUNT GPS ANTENNA AS FAR TO THE REAR OF THE SATELLITE AS POSSIBLE. SECURE CABLE WITH ROOF SEALANT.
 - 6 CUT AND REMOVE SHIPPING STRAPS.
 - 5 MOUNT GPS ANTENNA AS FAR TO THE REAR OF THE SATELLITE AS POSSIBLE. SECURE CABLE WITH ROOF SEALANT.
 - 4 SEE DETAIL GE FOR SATELLITE LOCATION.
 - 3 SENSOR SUPPLIED WITH SATELLITE ASSEMBLY.
 - 2 SEE MANUFACTURER'S INSTALLATION FOR ADDITIONAL INFORMATION.
 - 1 WRAP BRACKET LEGS AROUND ANTENNA BASE.

- 48R SAT. SYS. IN-MOTION W/O RCVR.
- 290 SOLAR PANEL - 10 WATT
- 25E REAR STEREO SYSTEM W/CD
- 1D5 ENTERTAINMENT CTR/EXT W/CD
- 7BK SATELLITE DISH-AUTOMATIC
- 48Q SATELLITE DISH & ELEV.SENSOR
- 265 CODES/STANDARDS-CSA/CMVSS
- 1B1 CODES/STANDARDS USA

FIRST USED	04 Q40K
TITLE	DO NOT SCALE DRAWING
	WIRING INSTL-BODY, 12V
SHEET 7	PART NO 147064