

FRONT OF VEHICLE

6 VENT PIPE MUST PROJECT 51 MIN AND 63.5 MAX ABOVE ROOF FOR PROPER FIT AND FUNCTION.

- 5. SEAL AROUND SHOWER WITH SILICONE.
- 4. ALL EXTERIOR OPENINGS AROUND PIPE TO BE SEALED WITH 110744-01-000.
- 3. ALL PIPE AND FITTINGS TO BE ASSEMBLED WITH SOLVENT 4020-01-000.
- 2. SLOPE OF TRAP ARM MUST BE 6 PER 305 MM.
- 1. SLOPE OF HORIZONTAL PIPING TO BE 6 PER 305 MM.

NOTES:

- 43V CABINET-CHEST OF DRAWERS
- 43W CABINET-LAVATORY
- 1B1 CODES/STANDARDS USA
- 265 CODES/STDS-CSA, CMVSS
- 21M WASHER/DRYER PREP
- 54E WASHER/DRYER
- 21N DISHWASHER/BUILT-IN
- 215 DISHWASHER WITHOUT
- 43F SHOWER SURROUND

WINNEBAGO COPYRIGHT 2003 WINNEBAGO INDUSTRIES, INC.

DFTR	ORIG. DATE
CHKR	ALL DIMENSIONS ARE IN MILLIMETERS
P.E.	
M.E.	FIRST USED
DSNR	04 Q40K
UNSPECIFIED TOLERANCES ARE:	MATERIAL:
HOLE DIM (X)	: 7
ONE-PLACE (X.X)	:
TWO-PLACE (X.XX)	:
ANGLE	:
THIRD ANGLE PROJECTION	

X-X FOR DRAINAGE CALLOUTS SEE DWG NO 116229-01-000

DO NOT SCALE DRAWING
 TITLE: DRAINAGE SYSTEM, INSTL
 SHEET 1 OF 4 PART NO 144783

ELBOW
136111-01-000
ADAPTER-SWIVEL
130685-03-000

BRACKET-COVER
142526-01-CHT
BRACKET-CARRIER
142527-01-CHT

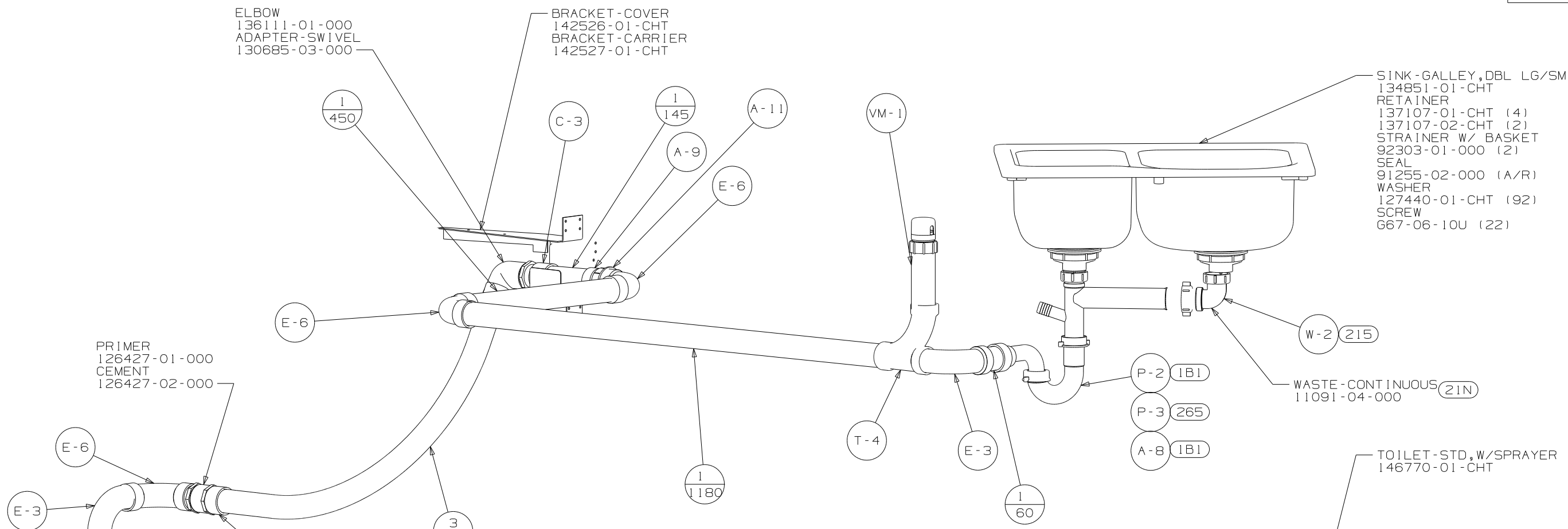
SINK-GALLEY, DBL LG/SM
134851-01-CHT
RETAINER
137107-01-CHT (4)
137107-02-CHT (2)
STRAINER W/ BASKET
92303-01-000 (2)
SEAL
91255-02-000 (A/R)
WASHER
127440-01-CHT (92)
SCREW
G67-06-10U (22)

PRIMER
126427-01-000
CEMENT
126427-02-000

ADAPTER-SWIVEL
130685-03-000
130685-01-000
LUMBER
76699-92-004

SPACER-TOILET
146106-02-000
SCREW
G56-12-48B (8)

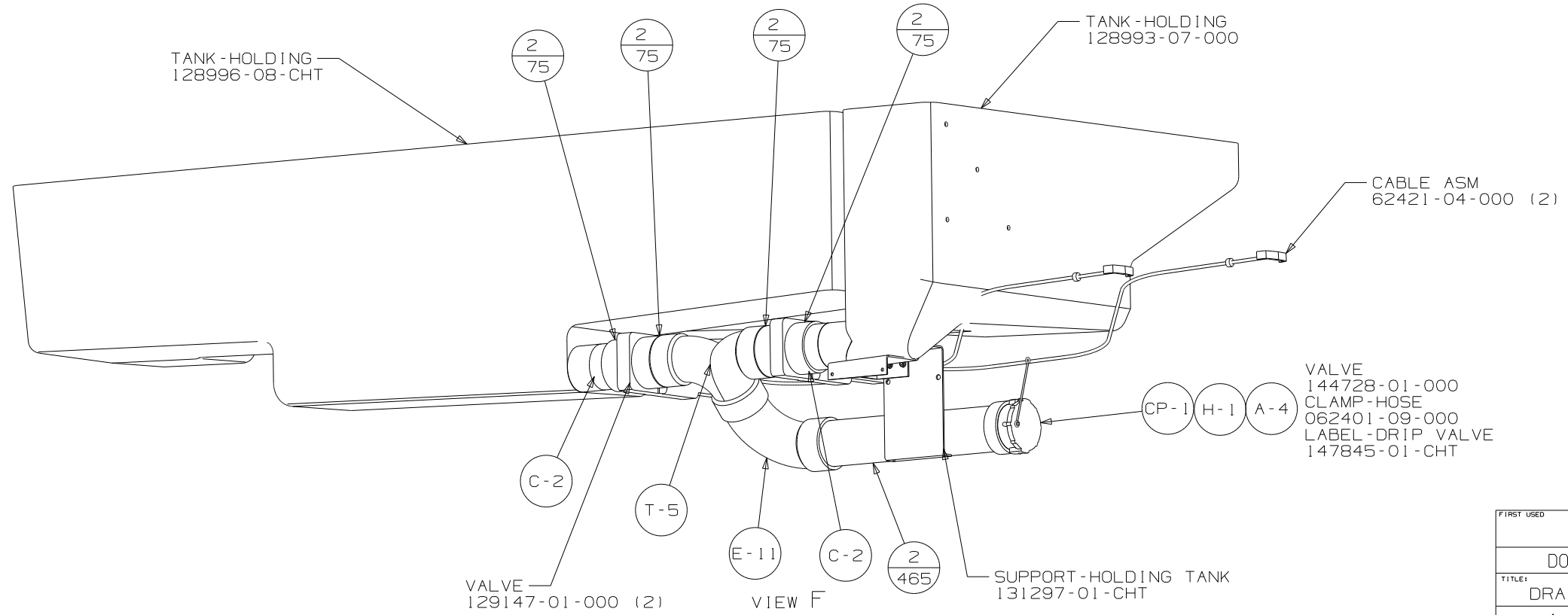
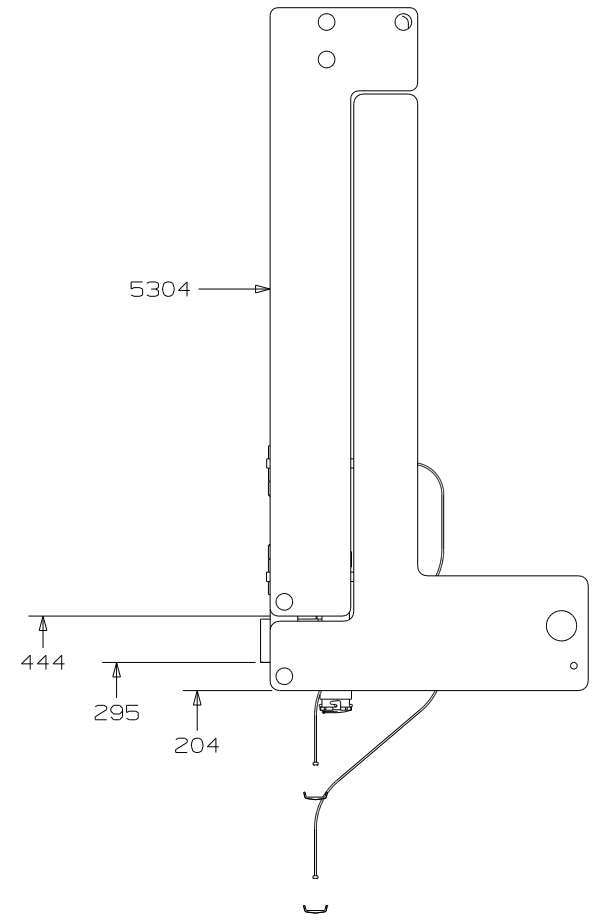
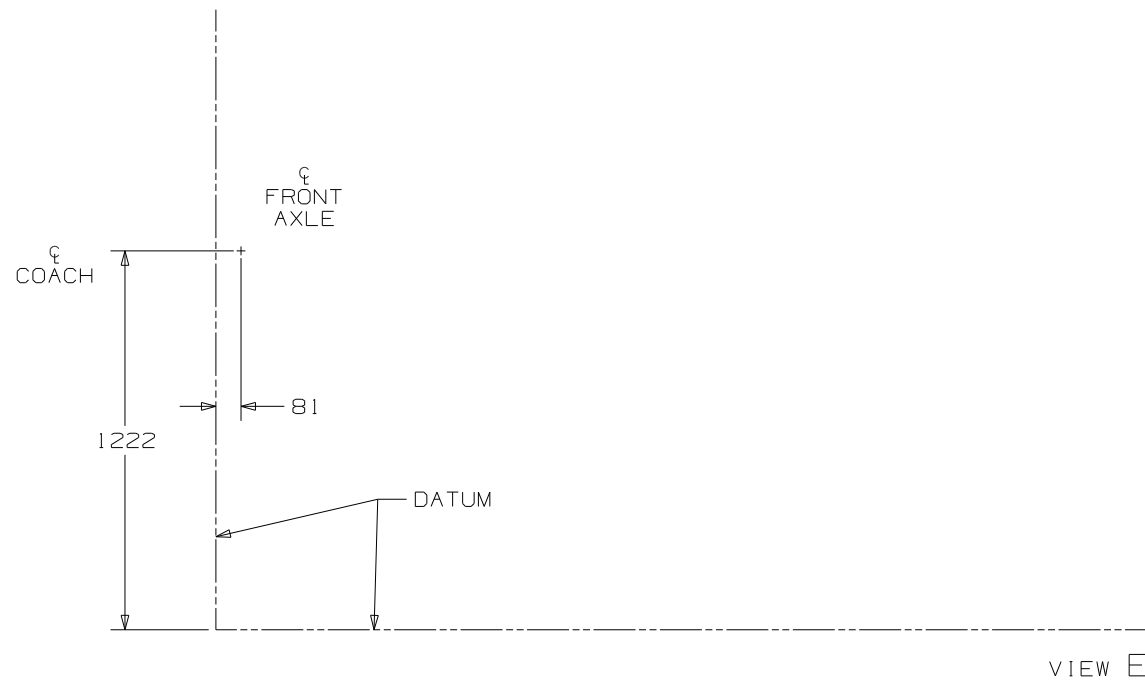
TOILET-STD, W/SPRAYER
146770-01-CHT



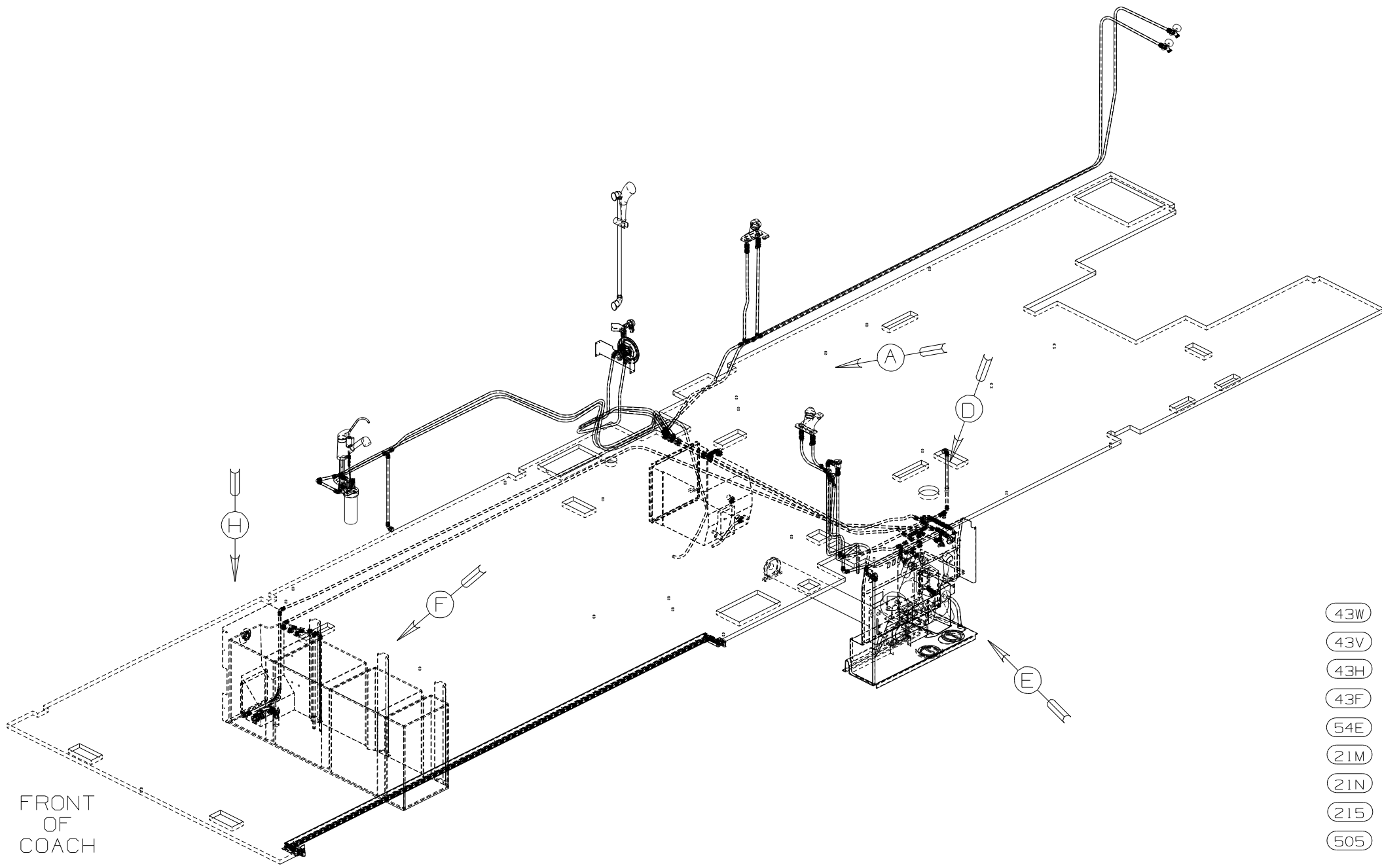
VIEW C

VIEW D

FIRST USED	04 Q40K
DO NOT SCALE DRAWING	
TITLE	DRAINAGE SYSTEM, INSTL
SHEET 3	PART NO 144783



FIRST USED	04 Q40K
DO NOT SCALE DRAWING	
TITLE	DRAINAGE SYSTEM, INSTL
SHEET 4	PART NO 144783

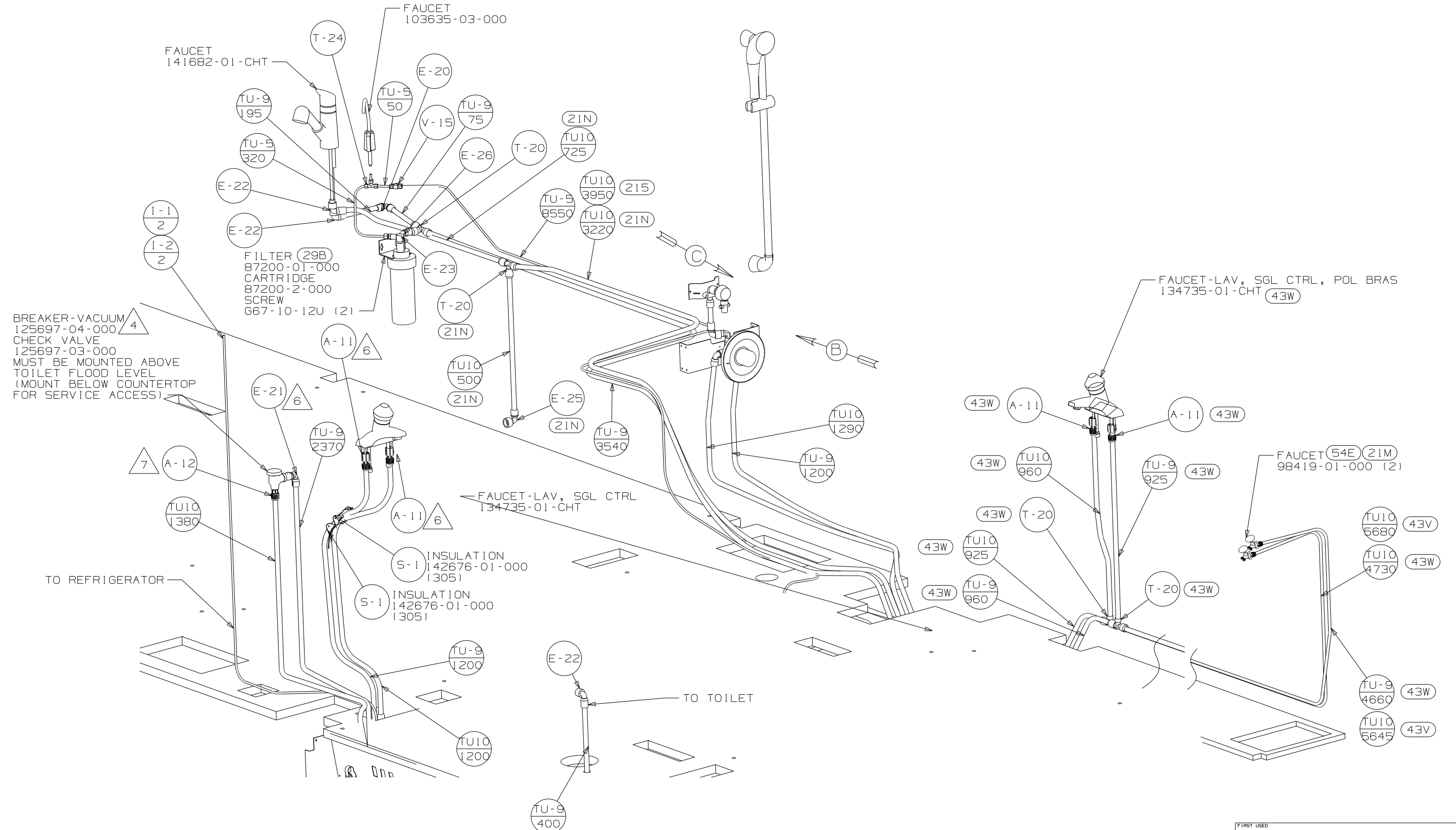


- (43W) CABINET-LAVATORY
- (43V) CABINET-CHEST OF DRAWERS
- (43H) SHOWER HEAD-HAND HELD
- (43F) SHOWER SURROUND
- (54E) WASHER/DRYER
- (21M) WASHER/DRYER PREP
- (21N) DISHWASHER/BUILT-IN
- (215) DISHWASHER WITHOUT
- (505) WATER SUPPLY HOSE W/REEL.

- NOTES:
- 7 ADD TEFLON TAPE 10405-03-000.
 - 6 ADD TEFLON TAPE 10405-01-000.
 - 5 ADD TEFLON TAPE 10405-02-000..
 - 4 FLUSHING SYSTEM REQUIRES 125697-06-000 INSTRUCTION SHEET.
3. ALL TUBING TO BE SECURED AT 1200 INTERVALS MAXIMUM WITH CLAMP 10495-01-000 OR CLIP 91951-01-000 AND SCREW G67-10-12B.
 2. TUBING TO BE INSTALLED WITH SUFFICIENT SLOPE TO PROVIDE DRAINAGE TO NEAREST VALVE.
 1. PLASTIC FITTINGS TO BE SEALED WITH SEALANT 84456-01-000.

WINNEBAGO		COPYRIGHT 2003 WINNEBAGO INDUSTRIES, INC.	
DFTR	ORIG. DATE	ALL DIMENSIONS ARE IN MILLIMETERS	
CHKR		FIRST USED	
P.E.		04 040K	
M.E.		UNSPECIFIED TOLERANCES ARE:	
DSNR		MATERIAL:	
		WHOLE DIM (X)	: 7
		ONE-PLACE (X.X)	:
		TWO-PLACE (X.XX)	:
		ANGLE	:
THIRD ANGLE PROJECTION		DO NOT SCALE DRAWING	
TITLE: WATER SYSTEM INSTL			
SHEET 1 OF 6		PART NO 144789	
REF: 143053 1 04/29/03			

(X-X)
FOR
WATER
CALLOUTS
SEE DWG NO
116230-01-000



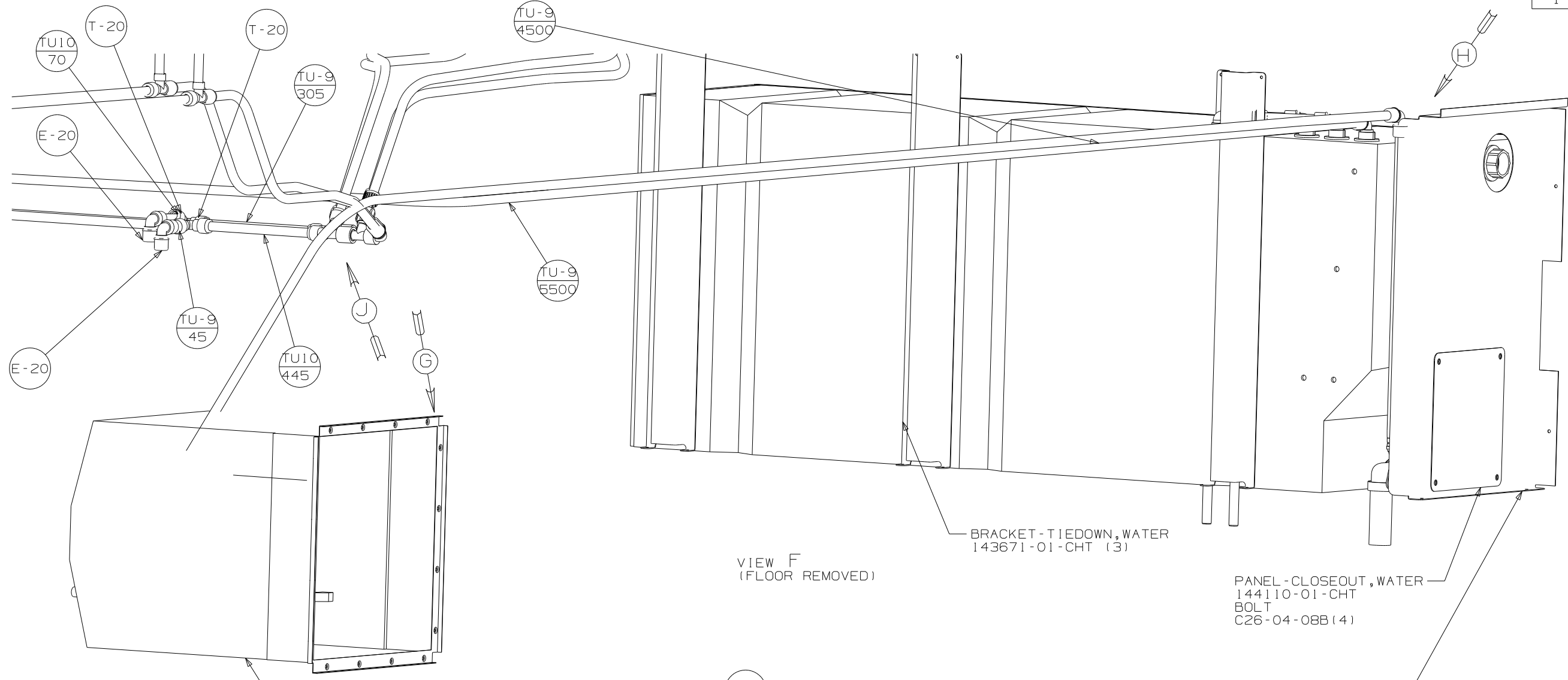
BREAKER-VACUUM
125697-04-000
CHECK VALVE
125697-03-000
MUST BE MOUNTED ABOVE
TOILET FLOOD LEVEL
(MOUNT BELOW COUNTERTOP
FOR SERVICE ACCESS)

FILTER (29B)
87200-01-000
CARTRIDGE
87200-2-000
SCREW
667-10-12U (2)

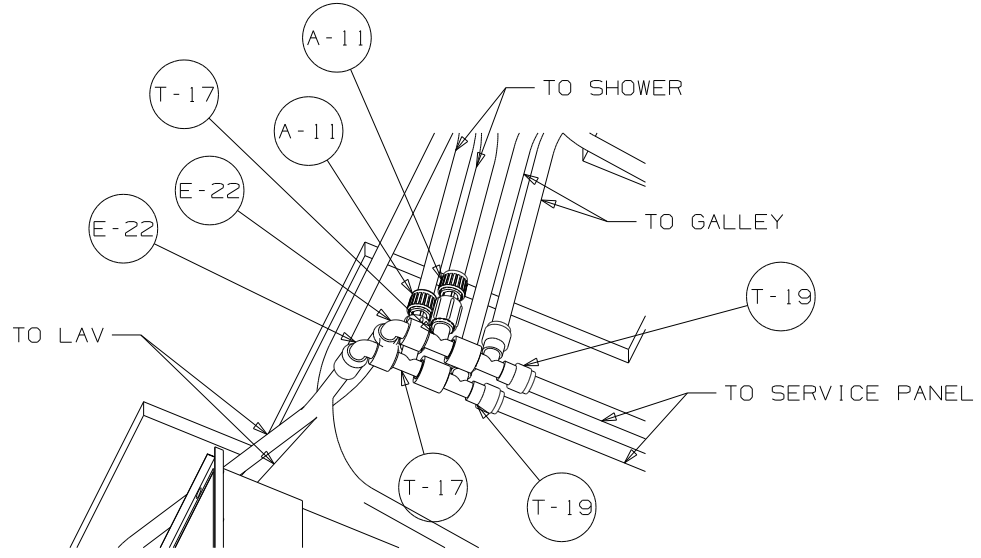
INSULATION
S-1 142676-01-000
(305)
INSULATION
S-1 142676-01-000
(305)

FIRST USED	04 Q40K
TITLE	DO NOT SCALE DRAWING
TITLE	WATER SYSTEM INSTL
SHEET 2	PART NO 144789

VIEW A



VIEW F
(FLOOR REMOVED)



VIEW J

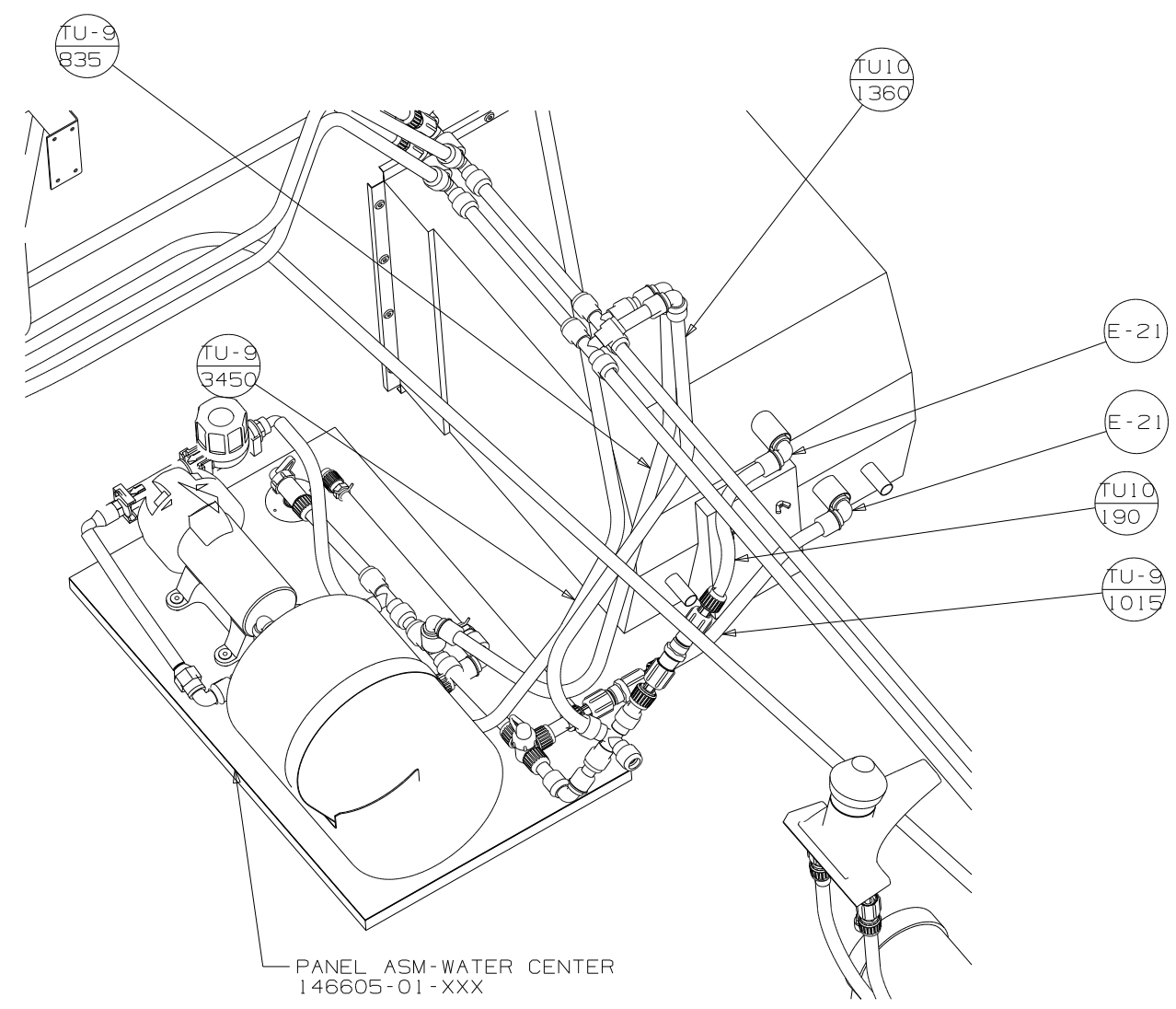
WATER HEATER
145541-01-000
DOOR
125420-01-CHT

BRACKET-TIEDOWN, WATER
143671-01-CHT (3)

PANEL-CLOSEOUT, WATER
144110-01-CHT
BOLT
C26-04-08B (4)

PANEL-CLOSEOUT, WATER
144216-02-CHT
9CARPT-04

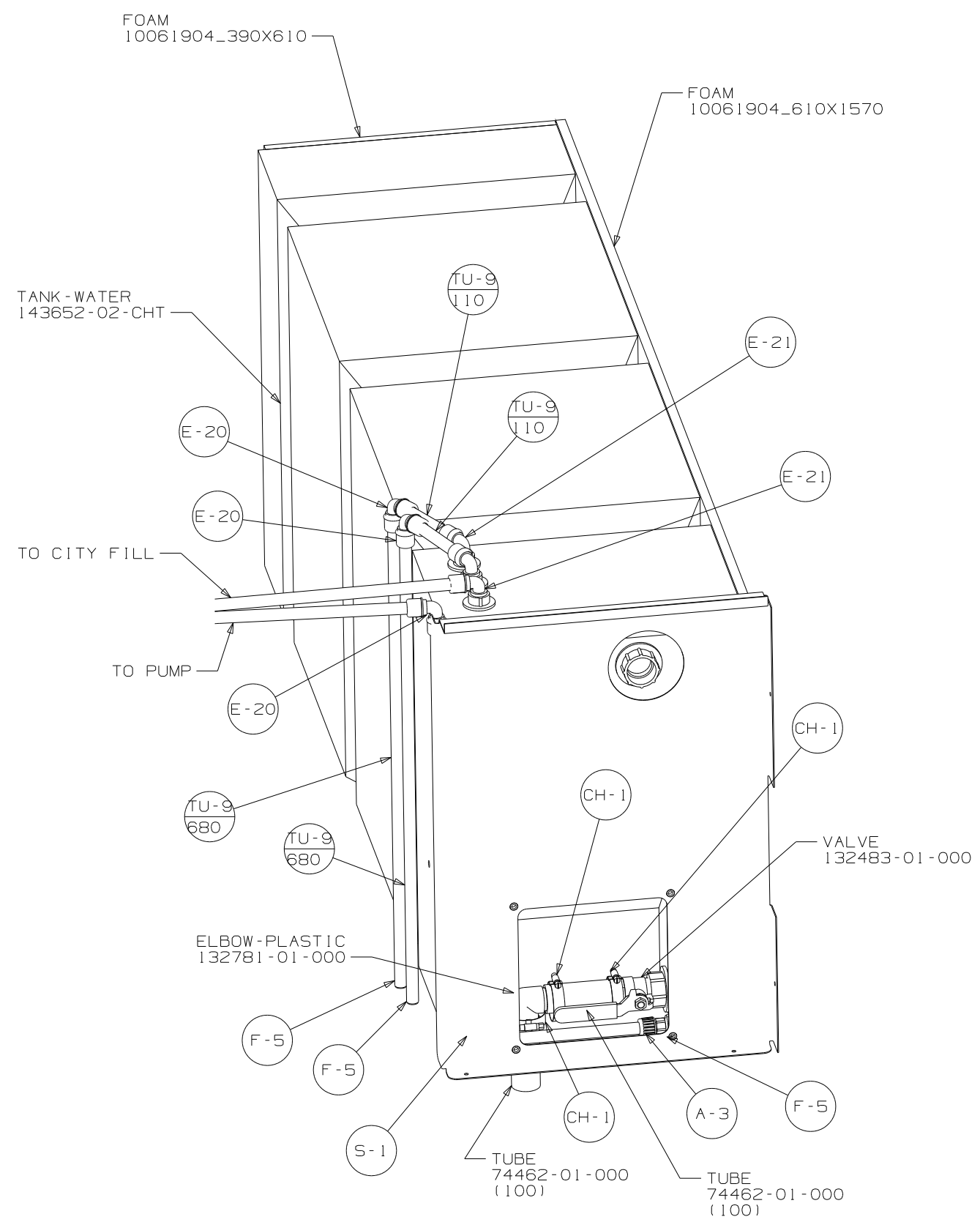
FIRST USED	04 Q40K
TITLE	DO NOT SCALE DRAWING
	WATER SYSTEM INSTL
SHEET 4	PART NO 144789



PANEL ASM-WATER CENTER
146605-01-XXX

VIEW G

FIRST USED	04 Q40K
TITLE	DO NOT SCALE DRAWING WATER SYSTEM INSTL
SHEET 5	PART NO 144789



VIEW H

FIRST USED	04 Q40K
TITLE	DO NOT SCALE DRAWING
SHEET 6	PART NO 144789
	1 04/29/03