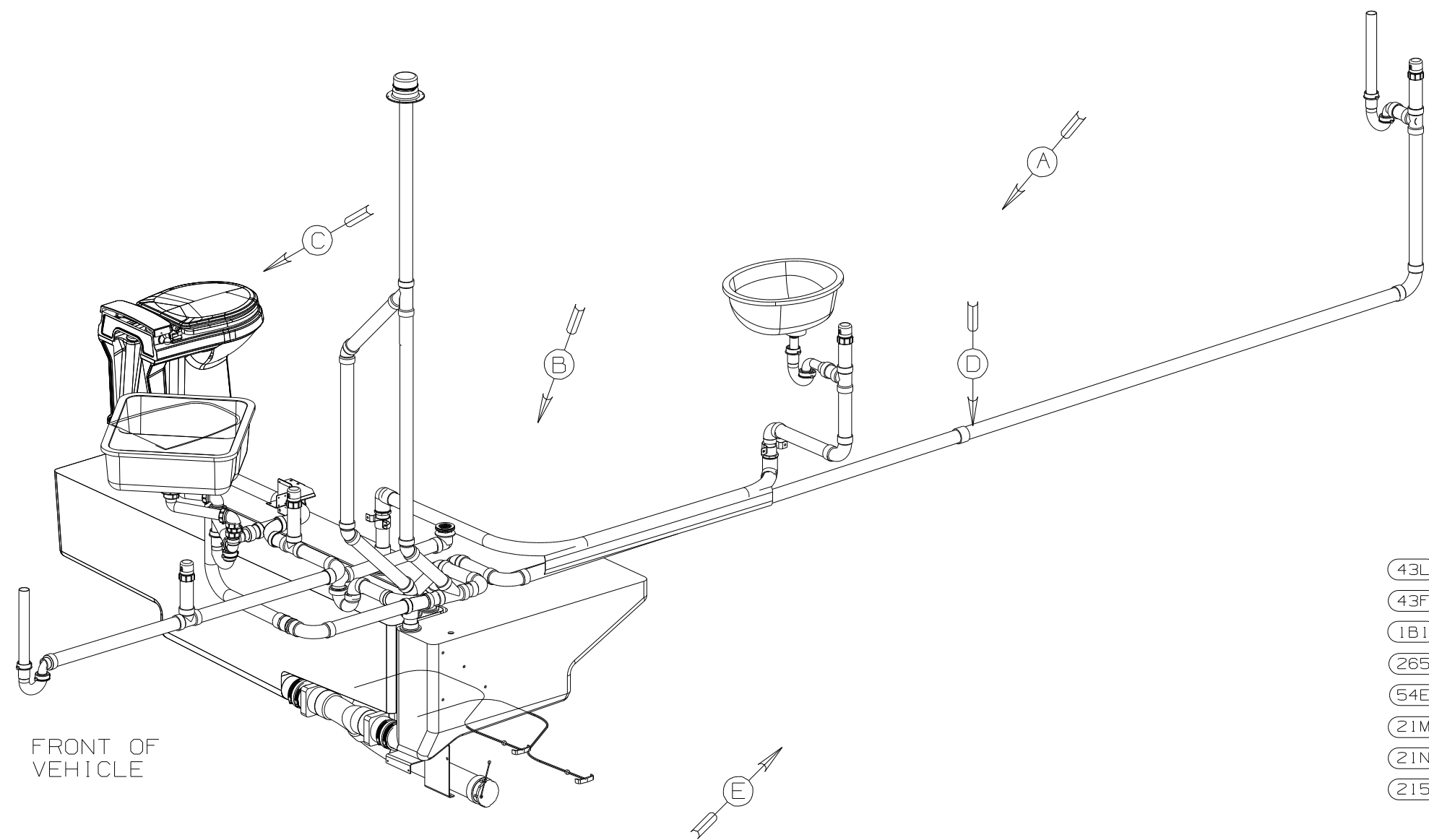


8 7 6 5 4 3 2



FRONT OF VEHICLE

- (43L) SHOWER/TUB W/WALL SURROUND
- (43F) SHOWER SURROUND
- (1B1) CODES/STANDARDS USA
- (265) CODES/STANDARDS-CSA/CMVSS
- (54E) WASHER/DRYER
- (21M) WASHER/DRYER PREP
- (21N) DISHWASHER/BUILT-IN
- (215) DISHWASHER WITHOUT

- NOTES:
1. SLOPE OF HORIZONTAL PIPING TO BE 3 PER 305 MM.
 2. SLOPE OF TRAP ARM MUST BE 6 PER 305 MM.
 3. ALL PIPE AND FITTINGS TO BE ASSEMBLED WITH SOLVENT 4020-01-000 (US), 4020-02-000 (CAN).
 4. ALL EXTERIOR OPENINGS AROUND PIPE TO BE SEALED WITH 110744-01-000.
 5. SEAL AROUND SHOWER WITH SILICONE.
 6. VENT PIPE MUST PROJECT 51 MIN AND 63.5 MAX ABOVE ROOF FOR PROPER FIT AND FUNCTION.

(X-X)
FOR DRAINAGE CALLOUTS SEE DWG NO 116229-01-000

WINNEBAGO		COPYRIGHT 2003 WINNEBAGO INDUSTRIES, INC.	
DFTR	ORIG. DATE	ALL DIMENSIONS ARE IN MILLIMETERS	
CHKR		FIRST USED	
P.E.		04 Q40ED	
M.E.		UNSPECIFIED TOLERANCES ARE:	
DSNR		MATERIAL:	
		WHOLE DIM (X)	: 7
		ONE-PLACE (X.X)	:
		TWO-PLACE (X.XX)	:
		ANGLE	:
THIRD ANGLE PROJECTION		DO NOT SCALE DRAWING	
		TITLE: DRAINAGE SYSTEM INSTL	
SHEET 1 OF 4	PART NO	144784	
REF:		1 07/16/03	

8 7 6 5 4 3 2

SINK-GALLEY, DBL CORIAN
 (SINK MOUNTED TO COUNTERTOP)
 RETAINER
 137107-01-CHT (4)
 137107-02-CHT (2)
 STRAINER W/BASKET
 92303-01-000 (2)
 SEAL
 91255-02-000 (A/R)
 WASHER
 127440-01-CHT 92)
 SCREW
 G67-06-10U (22)

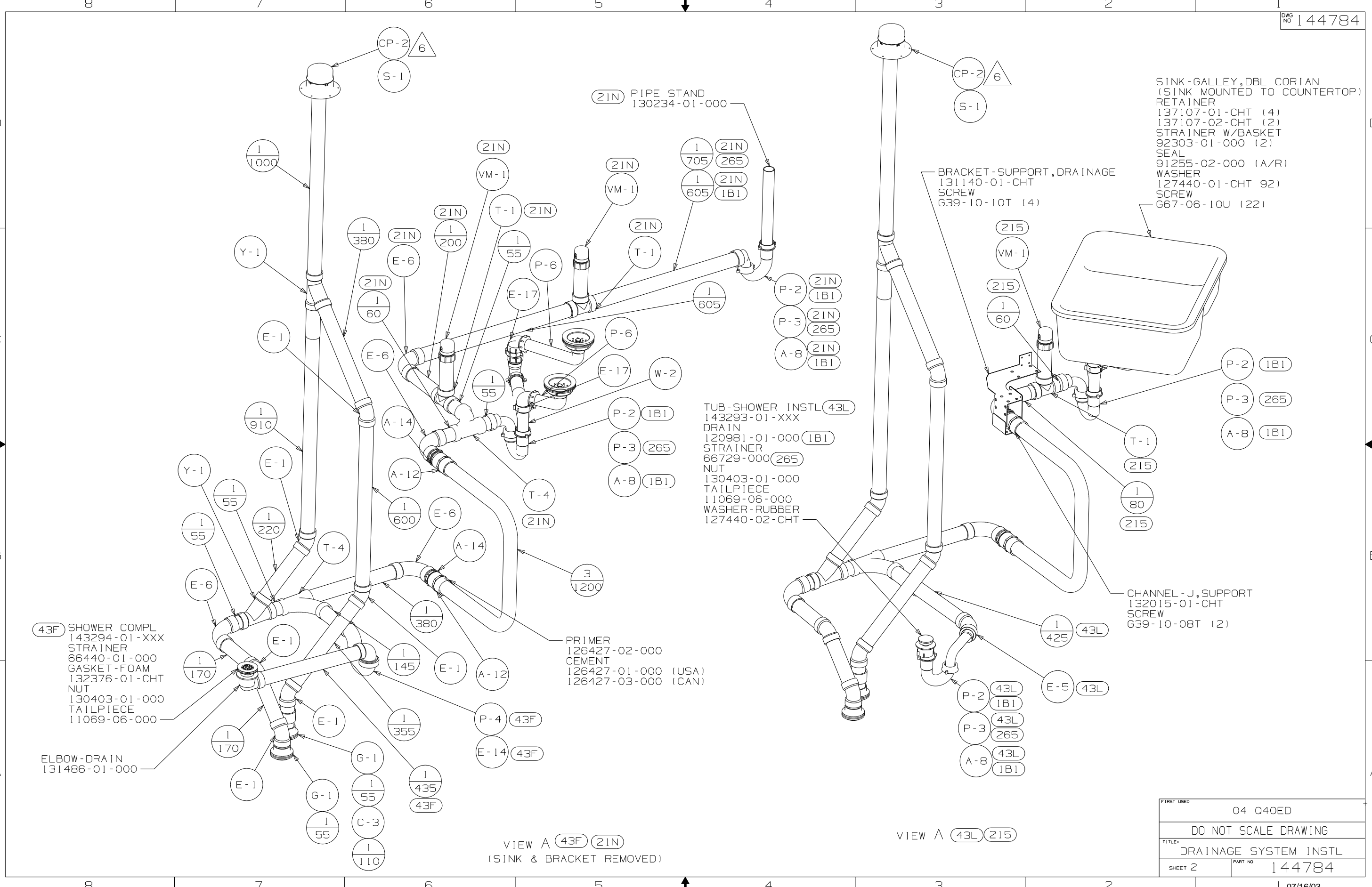
BRACKET-SUPPORT, DRAINAGE
 131140-01-CHT
 SCREW
 G39-10-10T (4)

TUB-SHOWER INSTL 43L
 143293-01-XXX
 DRAIN
 120981-01-000 (1B1)
 STRAINER
 66729-000 (265)
 NUT
 130403-01-000
 TAILPIECE
 11069-06-000
 WASHER-RUBBER
 127440-02-CHT

PRIMER
 126427-02-000
 CEMENT
 126427-01-000 (USA)
 126427-03-000 (CAN)

43F SHOWER COMPL
 143294-01-XXX
 STRAINER
 66440-01-000
 GASKET-FOAM
 132376-01-CHT
 NUT
 130403-01-000
 TAILPIECE
 11069-06-000

ELBOW-DRAIN
 131486-01-000

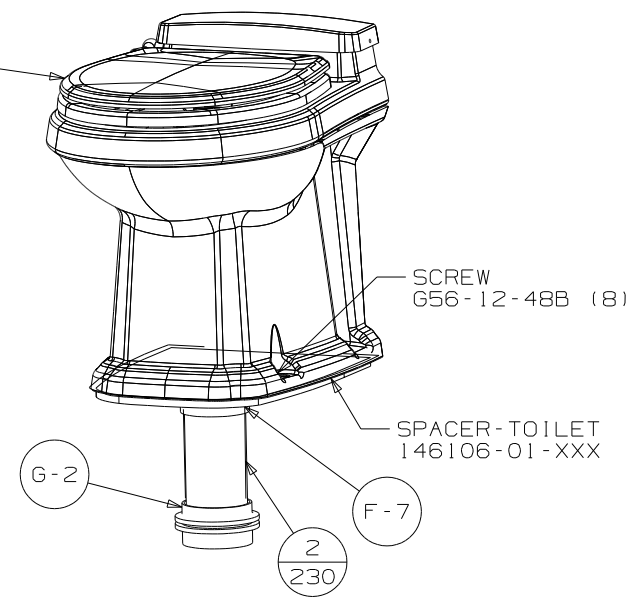


VIEW A 43F 21N
 (SINK & BRACKET REMOVED)

VIEW A 43L 215

FIRST USED	04 Q40ED
DO NOT SCALE DRAWING	
TITLE	DRAINAGE SYSTEM INSTL
SHEET 2	PART NO 144784

TOILET-CONCERTO, W/SPRAYER
144447-01-CHT



VIEW C

SINK
113539-02-CHT
(REF-SUPPLIED WITH
LAVATORY CONTERTOP)

1B1 1/155
265 1/55

P-2 1B1
P-3 265
A-8 1B1

PRIMER
126427-02-000
CEMENT
126427-01-000 (US)
126427-03-000 (CAN)

ADAPTER-SWIVEL, 1-1/2
130685-03-000

ELBOW-1 1/2" SOCKET SLIP FIT
136111-01-000

ADAPTER-SWIVEL, 1-1/2
130685-03-000

POLYETHYLENE
115661-01-000
(1070)

1/2070

ELBOW-1 1/2" SOCKET SLIP FIT
136111-01-000

CLAMP
8406-01-000 (2)
SCREW
49465-17-000 (4)

1/120

1/55

VIEW B
54E 21M

PIPE-STAND
130234-01-000

1/155 265
1/55 1B1

P-2 1B1
P-3 265
A-8 1B1

PLUG-PLASTIC
61420-10-000 21M

1/520

C-3 1/2070

1/170

1/170

C-3 1/120

G-1 1/55

1/55

VM-1

VM-1

T-1 1/150

E-1

1/395

E-6

T-1

E-6

E-6

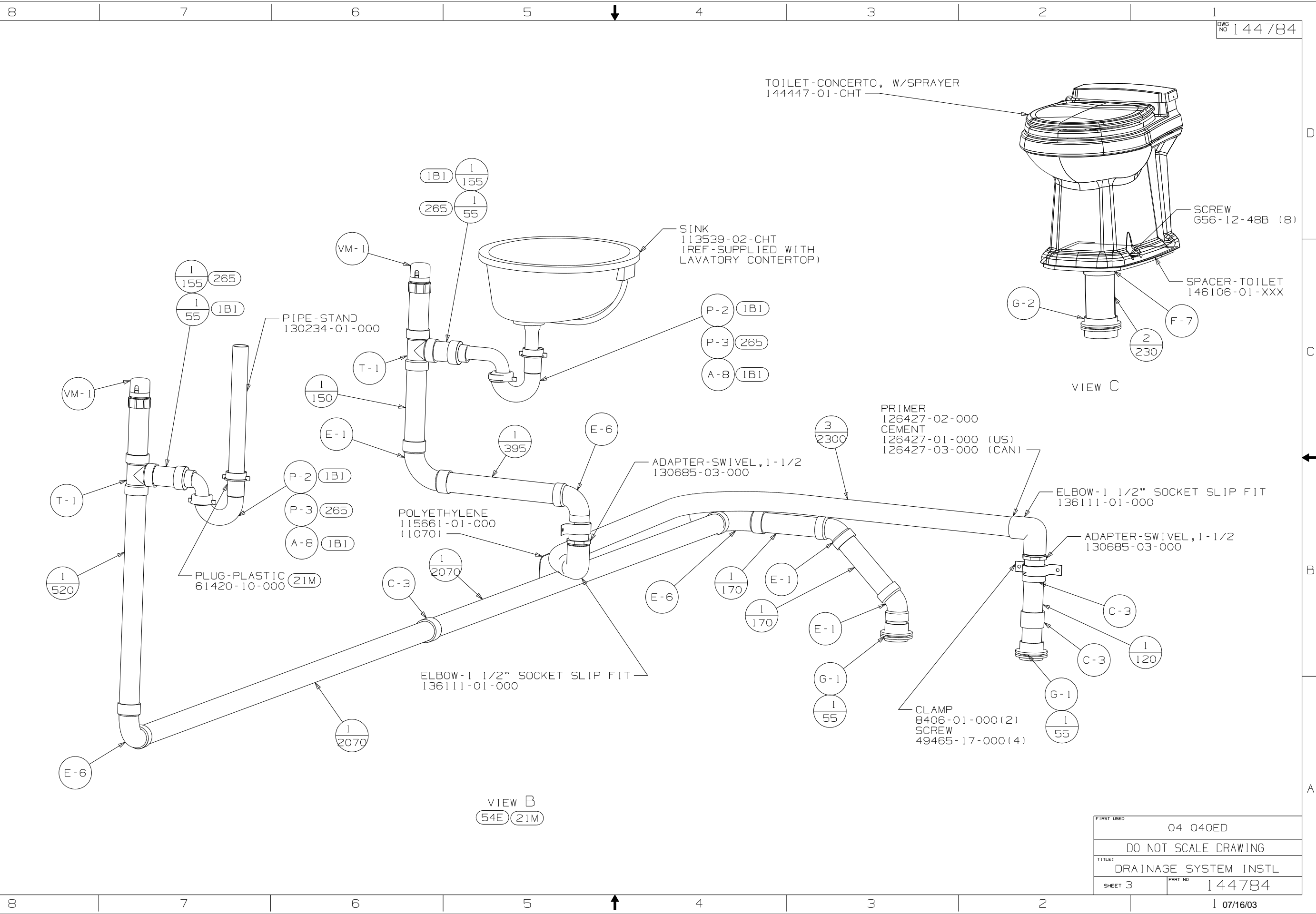
E-1

G-1 1/55

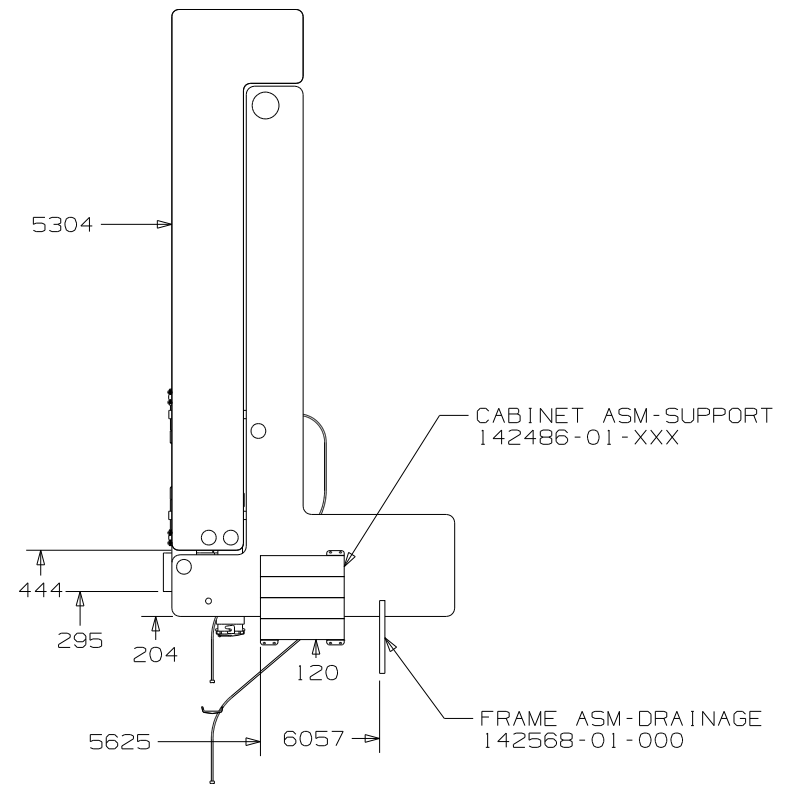
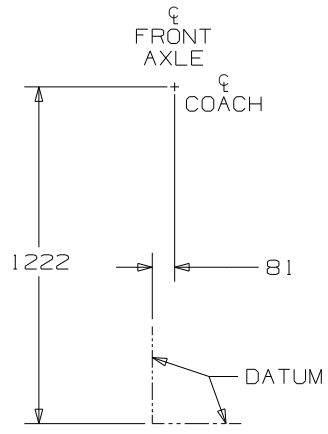
C-3 1/120

G-1 1/55

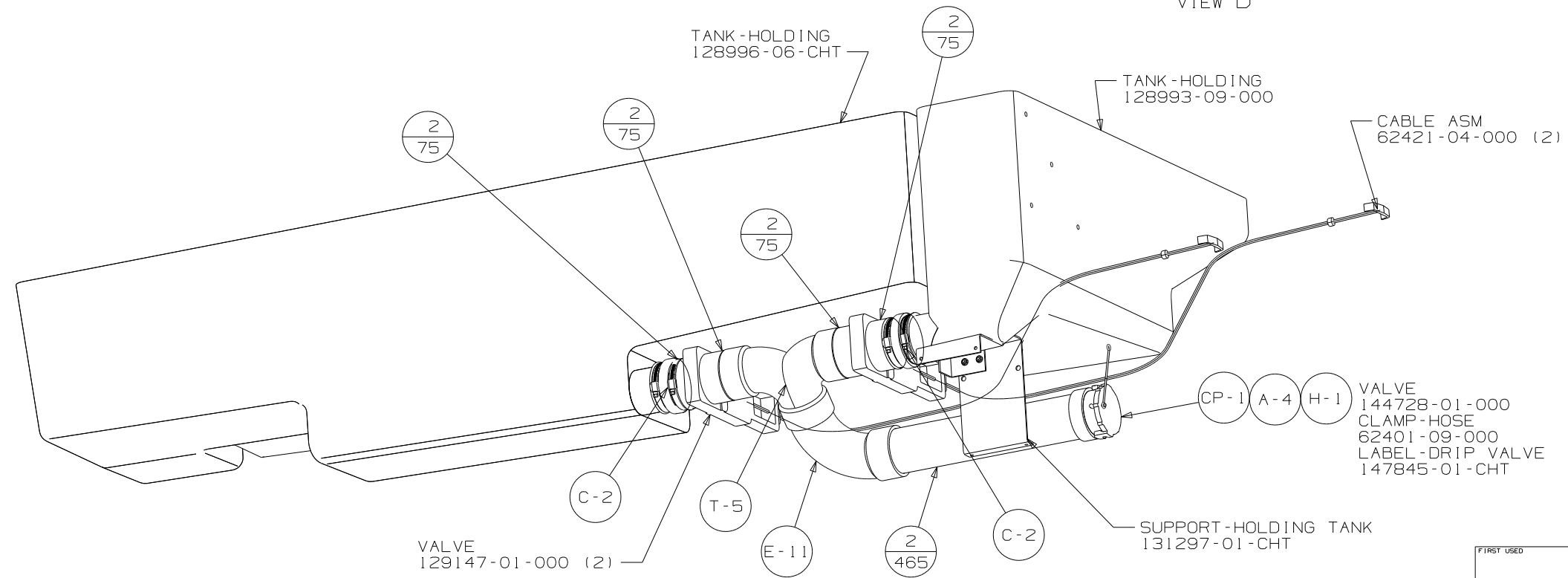
1/55



FIRST USED	04 Q40ED
TITLE	DO NOT SCALE DRAWING
SHEET 3	PART NO 144784
	1 07/16/03

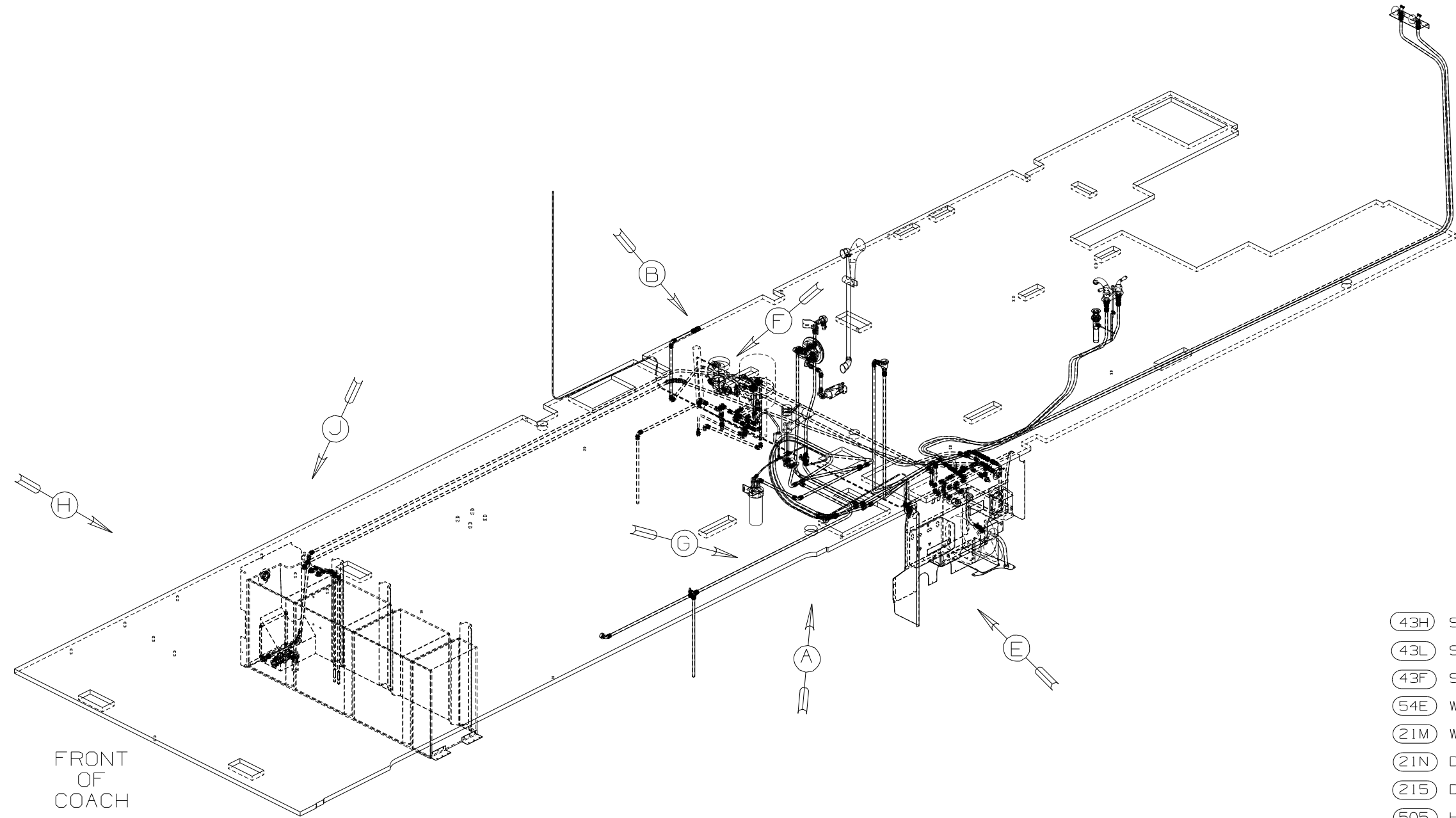


VIEW D



VIEW E

FIRST USED	04 Q40ED
DO NOT SCALE DRAWING	
TITLE	DRAINAGE SYSTEM INSTL
SHEET 4	PART NO 144784



FRONT OF COACH

- (43H) SHOWER HEAD-HAND HELD
- (43L) SHOWER/TUB W/WALL SURROUND
- (43F) SHOWER SURROUND
- (54E) WASHER/DRYER
- (21M) WASHER/DRYER PREP
- (21N) DISHWASHER/BUILT-IN
- (215) DISHWASHER WITHOUT
- (505) HOSE REEL - WATER, POWERED

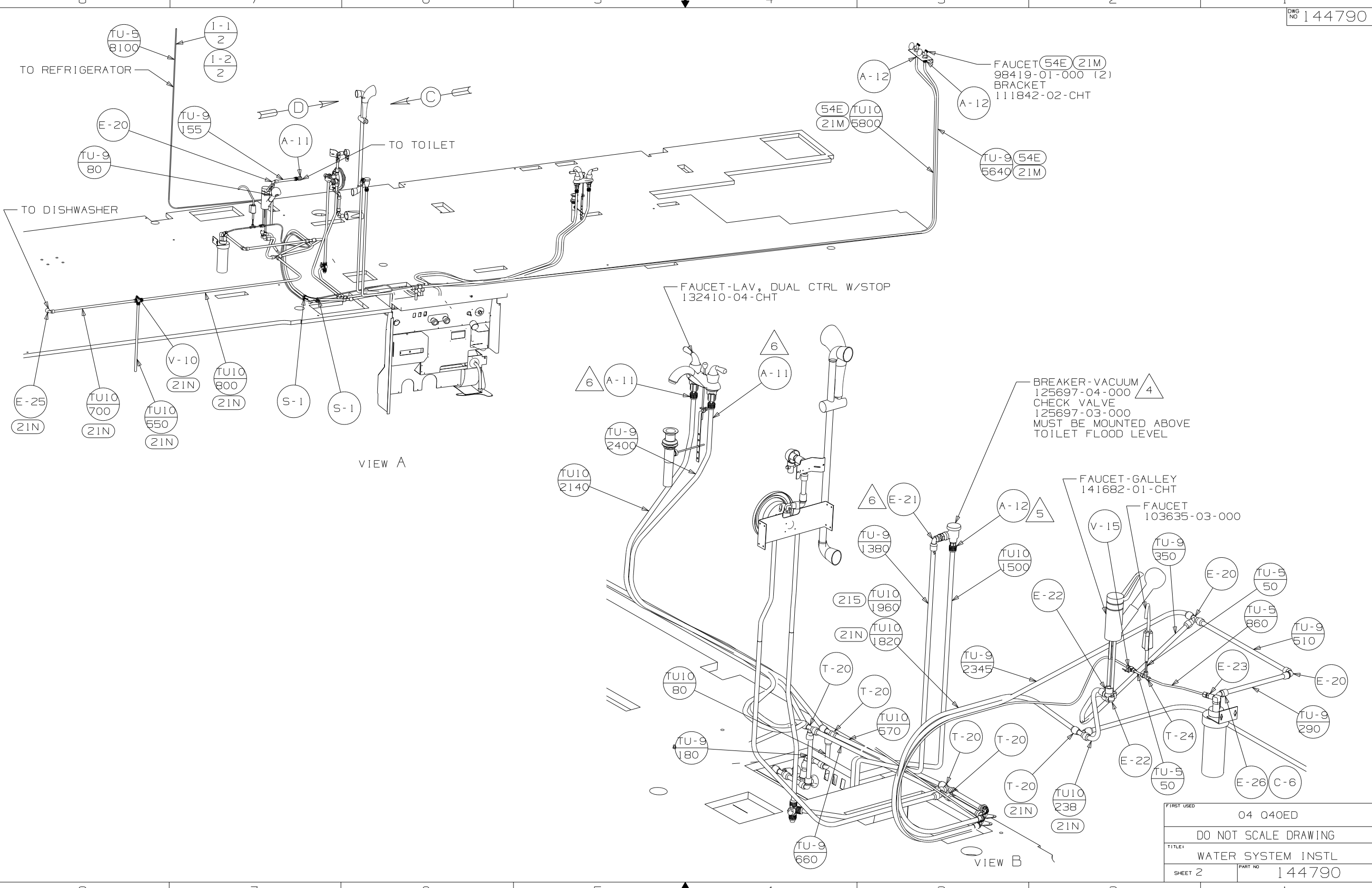
- △6 ADD TEFLON TAPE 10405-01-000.
- △5 ADD TEFLON TAPE 10405-03-000.
- △4 FLUSHING SYSTEM REQUIRES 125697-06-000 INSTRUCTION SHEET.

- 3. ALL TUBING TO BE SECURED AT 1200 INTERVALS MAXIMUM WITH CLAMP 10495-01-000 OR CLIP 91951-01-000 AND SCREW G67-10-12B.
- 2. TUBING TO BE INSTALLED WITH SUFFICIENT SLOPE TO PROVIDE DRAINAGE TO NEAREST VALVE.
- 1. PLASTIC FITTINGS TO BE SEALED WITH SEALANT 84456-01-000.

NOTES:

WINNEBAGO		COPYRIGHT 2003 WINNEBAGO INDUSTRIES, INC.	
DFTR	ORIG. DATE	ALL DIMENSIONS ARE IN MILLIMETERS	
CHKR		FIRST USED	
P.E.		04 Q40ED	
M.E.		UNSPECIFIED TOLERANCES ARE:	
DSNR		MATERIAL:	
		WHOLE DIM (X)	: 7
		ONE-PLACE (X.X)	:
		TWO-PLACE (X.XX)	:
		ANGLE	:
THIRD ANGLE PROJECTION		DO NOT SCALE DRAWING	
TITLE: WATER SYSTEM INSTL			
SHEET 1 OF 5		PART NO 144790	

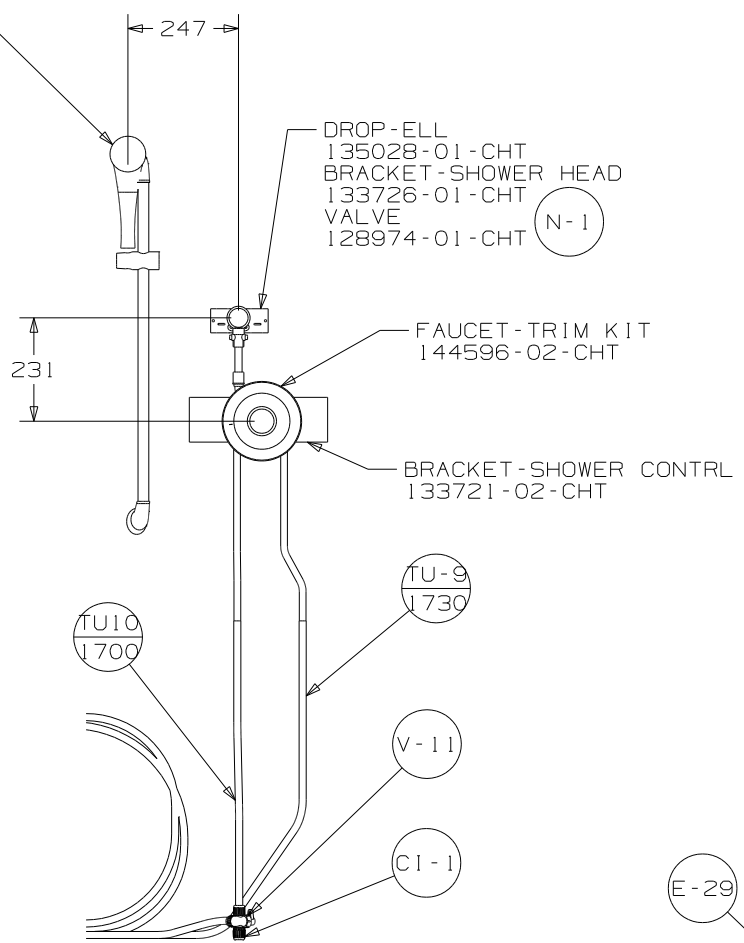
FOR WATER CALLOUTS SEE DWG NO 116230-01-000



FIRST USED	04 Q40ED
TITLE	DO NOT SCALE DRAWING
TITLE	WATER SYSTEM INSTL
SHEET 2	PART NO 144790

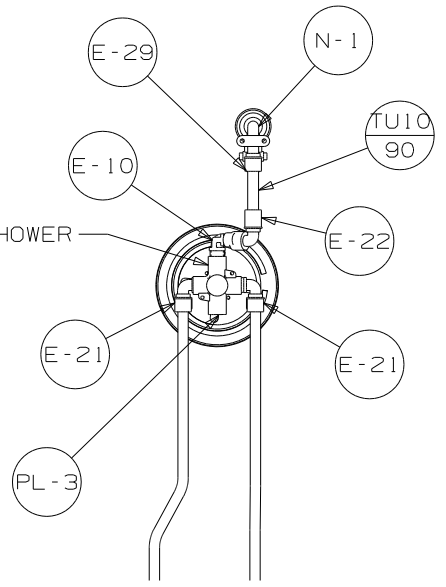
SHOWER-HAND HELD, W/SLIDE BAR
143525-01-CHT

SHOWER-HAND HELD, W/SLIDE BAR
143525-01-CHT



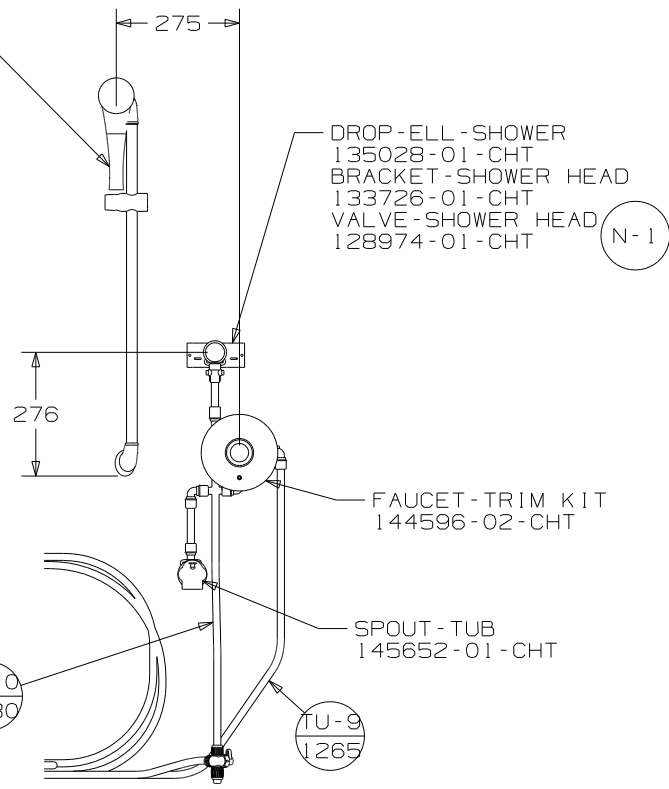
VIEW C
43F 43H

FAUCET-VALVE, SHOWER
144596-01-CHT



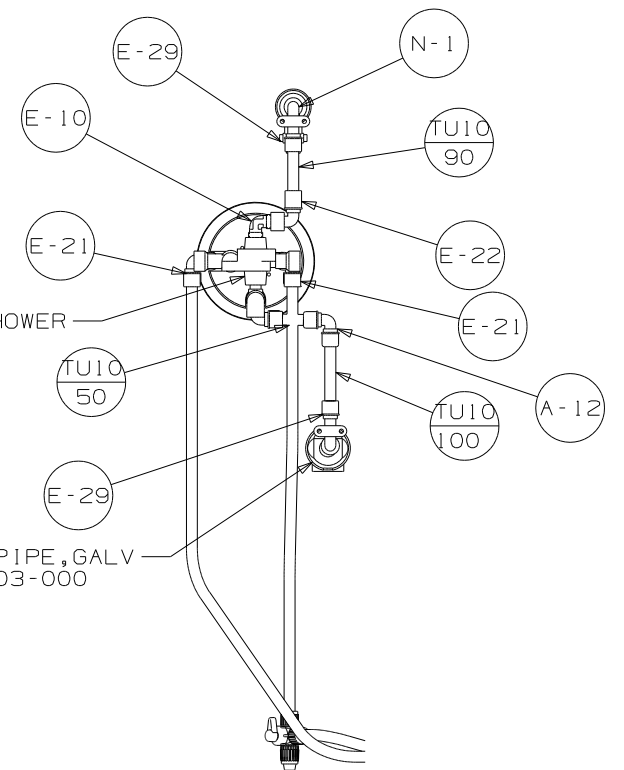
VIEW D
43F 43H

SHOWER-HAND HELD, W/SLIDE BAR
143525-01-CHT



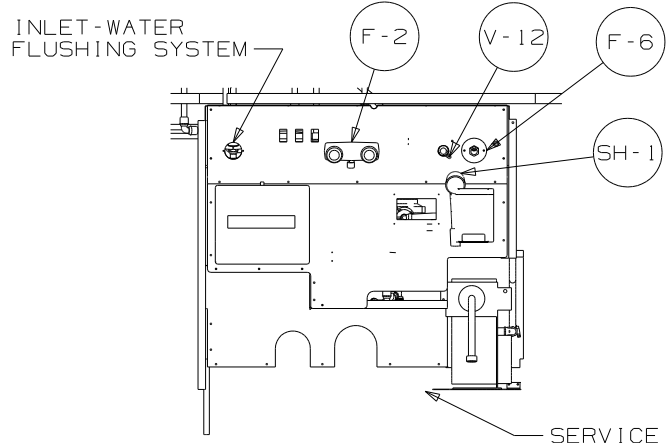
VIEW C
43H 43L

FAUCET-VALVE, SHOWER
144596-01-CHT



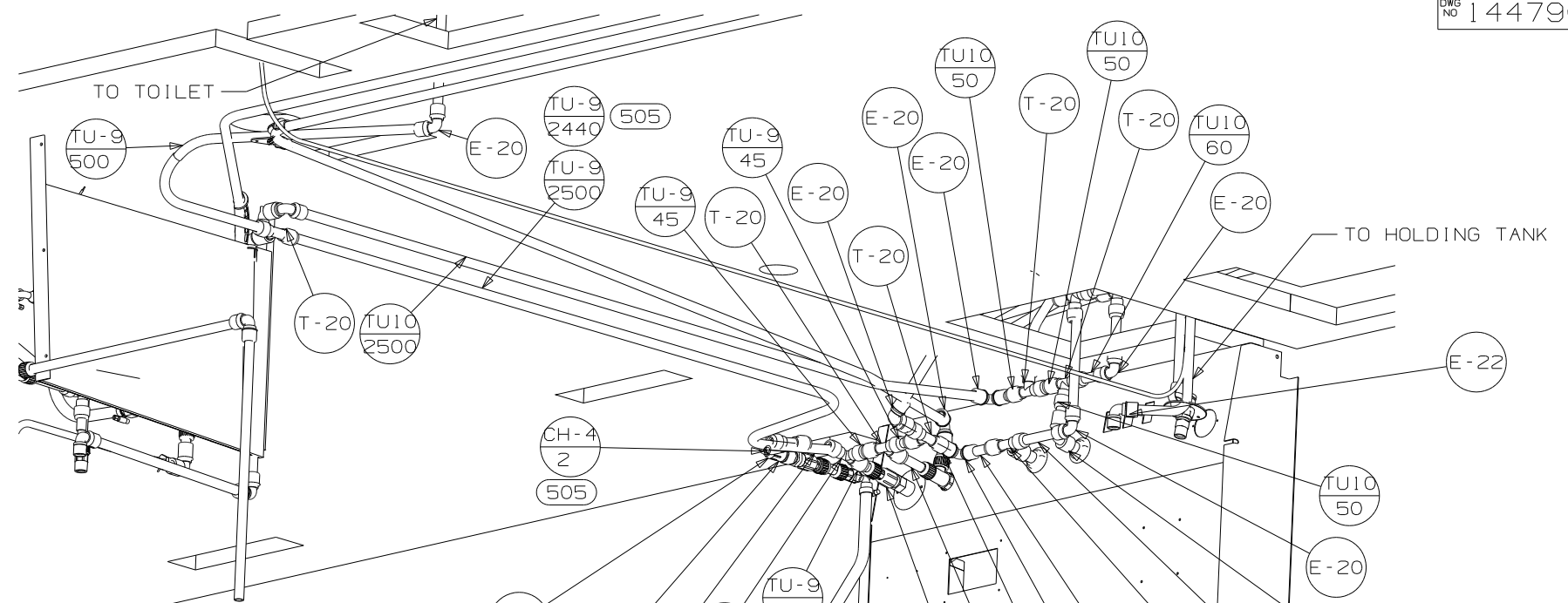
VIEW D
43H 43L

FIRST USED	04 Q40ED
TITLE	DO NOT SCALE DRAWING
TITLE	WATER SYSTEM INSTL
SHEET 3	PART NO 144790



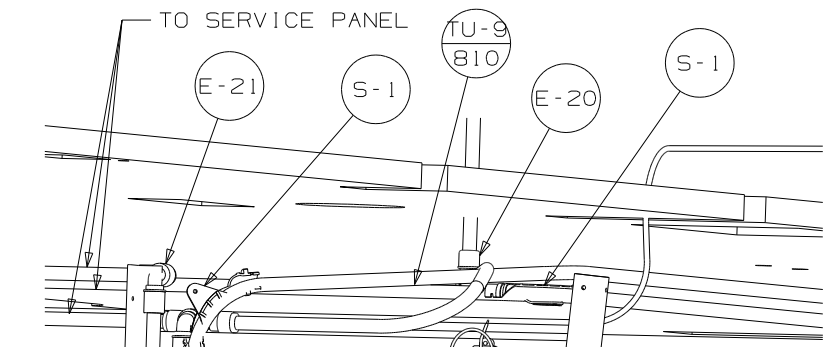
SERVICE CENTER INSTL (145946-01-000 REF)

VIEW E



VIEW G

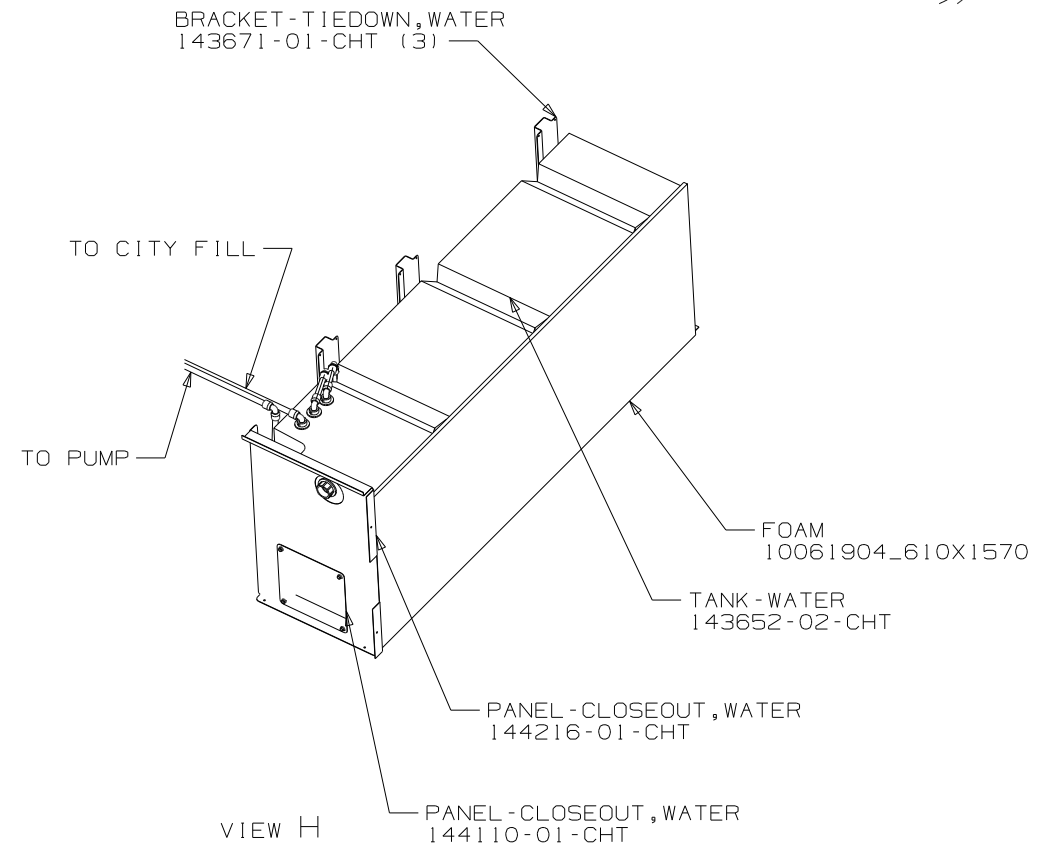
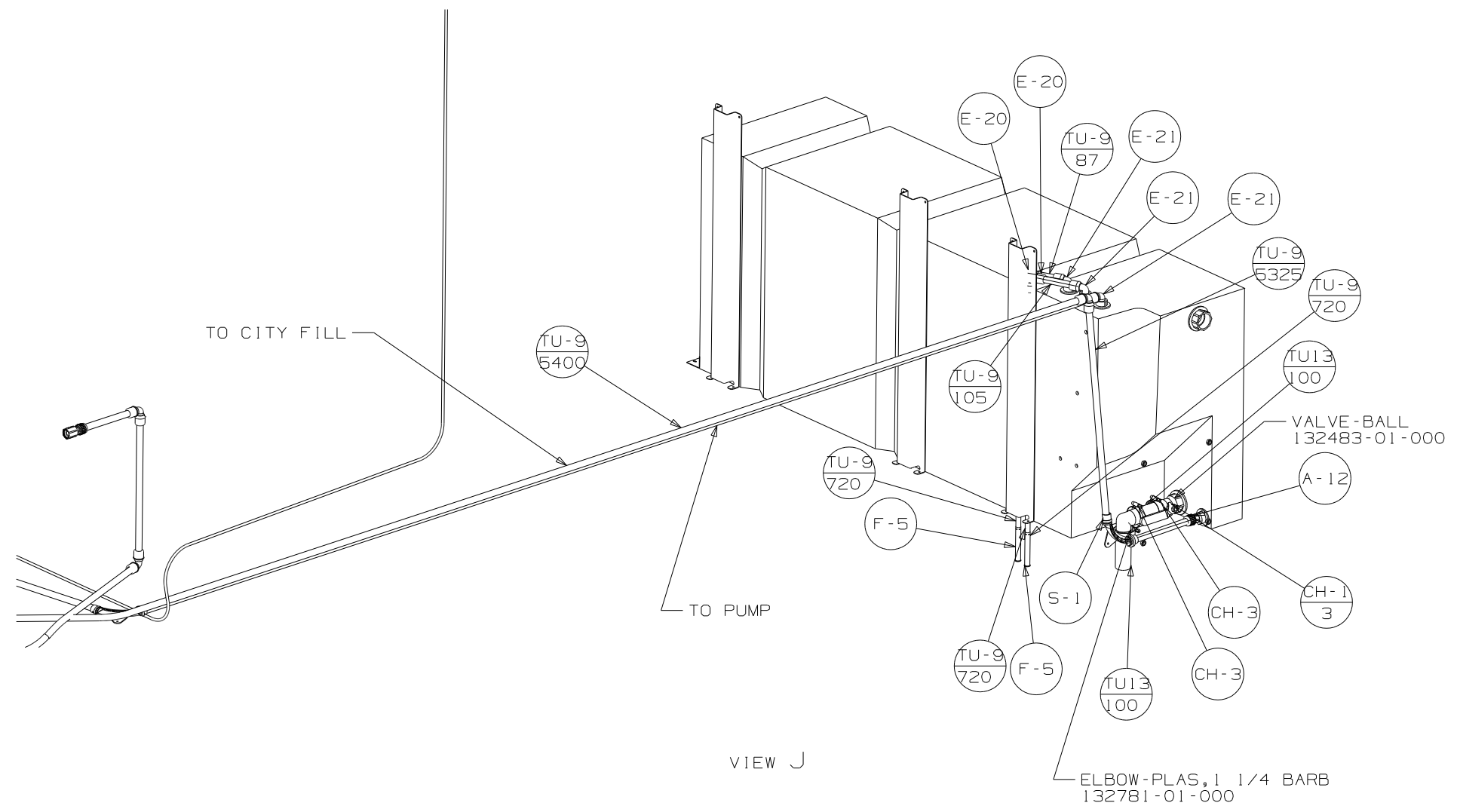
- HOSE REEL (505)
- 142675-01-CHT
- ANGLE
- 136002-27-CHT
- BRACKET
- 142667-01-CHT
- RIVET
- 118626-01-CHT (6)



PENL ASM-WATER CENTER 145820-01-XXX

VIEW F

FIRST USED	04 Q40ED
TITLE	DO NOT SCALE DRAWING
TITLE	WATER SYSTEM INSTL
SHEET 4	PART NO 144790



FIRST USED	04 Q40ED
TITLE	DO NOT SCALE DRAWING
SHEET 5	PART NO 144790
	1 07/17/03