

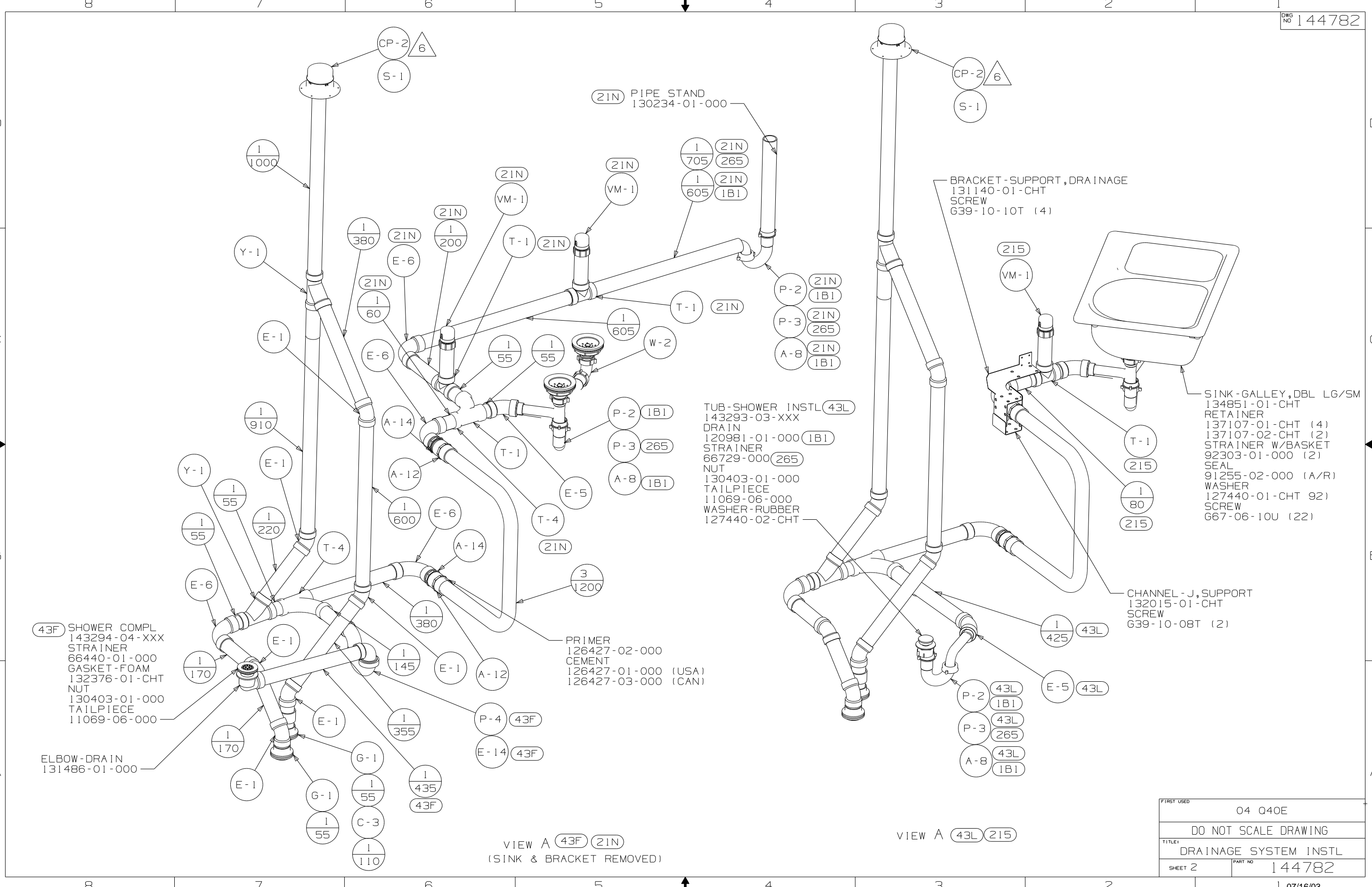
- (43L) SHOWER/TUB W/WALL SURROUND
- (43F) SHOWER SURROUND
- (1B1) CODES/STANDARDS USA
- (265) CODES/STANDARDS-CSA/CMVSS
- (54E) WASHER/DRYER
- (21M) WASHER/DRYER PREP
- (21N) DISHWASHER/BUILT-IN
- (215) DISHWASHER WITHOUT

FRONT OF VEHICLE

- NOTES:
7. DO NOT ATTACH WIRING, HYDRAULIC HOSES, WIRETIES, ECT THAT WILL PREVENT FREE MOVEMENT OF DRAIN HOSE WITH SLIDEOUT ROOM TRAVEL.
 6. VENT PIPE MUST PROJECT 51 MIN AND 63.5 MAX ABOVE ROOF FOR PROPER FIT AND FUNCTION.
 5. SEAL AROUND SHOWER WITH SILICONE.
 4. ALL EXTERIOR OPENINGS AROUND PIPE TO BE SEALED WITH 110744-01-000.
 3. ALL PIPE AND FITTINGS TO BE ASSEMBLED WITH SOLVENT 4020-01-000 (US), 4020-02-000 (CAN).
 2. SLOPE OF TRAP ARM MUST BE 6 PER 305 MM.
 1. SLOPE OF HORIZONTAL PIPING TO BE 3 PER 305 MM.

(X-X)
FOR DRAINAGE CALLOUTS SEE DWG NO 116229-01-000

WINNEBAGO		COPYRIGHT 2003 WINNEBAGO INDUSTRIES, INC.	
DFTB	ORIG. DATE		
CHKR	ALL DIMENSIONS ARE IN MILLIMETERS		
P.E.			
M.E.	FIRST USED		
DSNR	04 040E		
UNSPECIFIED TOLERANCES ARE:		MATERIAL:	
WHOLE DIM (X)	:	7	
ONE-PLACE (X.X)	:		
TWO-PLACE (X.XX)	:		
ANGLE	:		
THIRD ANGLE PROJECTION			
DO NOT SCALE DRAWING			
TITLE: DRAINAGE SYSTEM INSTL			
SHEET 1 OF 4	PART NO	144782	
REF:	1 07/16/03		



- 43F SHOWER COMPL 143294-04-XXX
- STRAINER 66440-01-000
- GASKET-FOAM 132376-01-CHT
- NUT 130403-01-000
- TAILPIECE 11069-06-000

ELBOW-DRAIN 131486-01-000

21N PIPE STAND 130234-01-000

- 1 705 21N
- 1 605 21N
- 1 265 21N
- 1 1B1 21N

- P-2 21N 1B1
- P-3 21N 265
- A-8 21N 1B1

- TUB-SHOWER INSTL 43L 143293-03-XXX
- DRAIN 120981-01-000 1B1
- STRAINER 66729-000 265
- NUT 130403-01-000
- TAILPIECE 11069-06-000
- WASHER-RUBBER 127440-02-CHT

- PRIMER 126427-02-000
- CEMENT 126427-01-000 (USA)
- 126427-03-000 (CAN)

BRACKET-SUPPORT, DRAINAGE 131140-01-CHT

SCREW 639-10-10T (4)

- SINK-GALLEY, DBL LG/SM 134851-01-CHT
- RETAINER 137107-01-CHT (4)
- 137107-02-CHT (2)
- STRAINER W/BASKET 92303-01-000 (2)
- SEAL 91255-02-000 (A/R)
- WASHER 127440-01-CHT 92)
- SCREW 667-06-10U (22)

CHANNEL - J, SUPPORT 132015-01-CHT

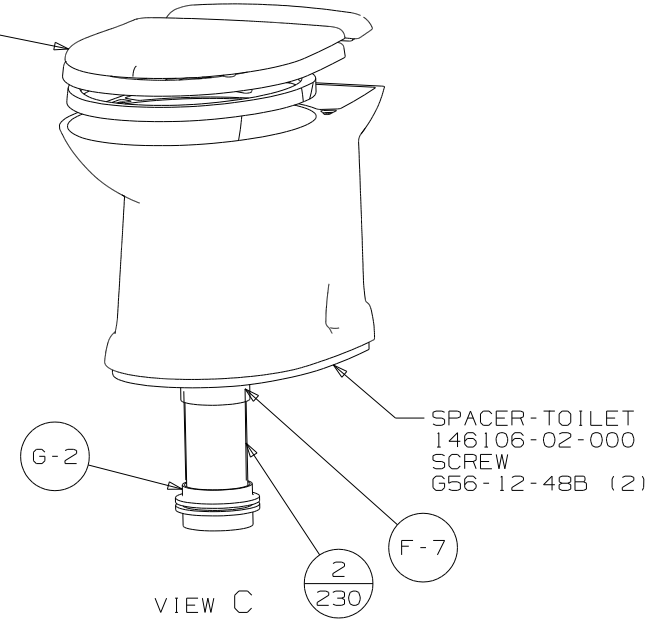
SCREW 639-10-08T (2)

VIEW A 43F 21N (SINK & BRACKET REMOVED)

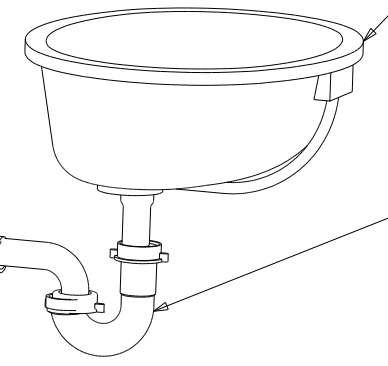
VIEW A 43L 215

FIRST USED	04 Q40E
TITLE	DO NOT SCALE DRAWING
TITLE	DRAINAGE SYSTEM INSTL
SHEET 2	PART NO 144782

TOILET-CONCERTO, W/SPRAYER
146770-01-CHT



SINK
113539-02-CHT
(REF-SUPPLIED WITH
LAVATORY CONTERTOP)



PRIMER
126427-02-000
CEMENT
126427-01-000 (US)
126427-03-000 (CAN)

ADAPTER-SWIVEL, 1-1/2
130685-03-000

POLYETHYLENE
115661-01-000
(1070)

ELBOW-1 1/2" SOCKET SLIP FIT
136111-01-000

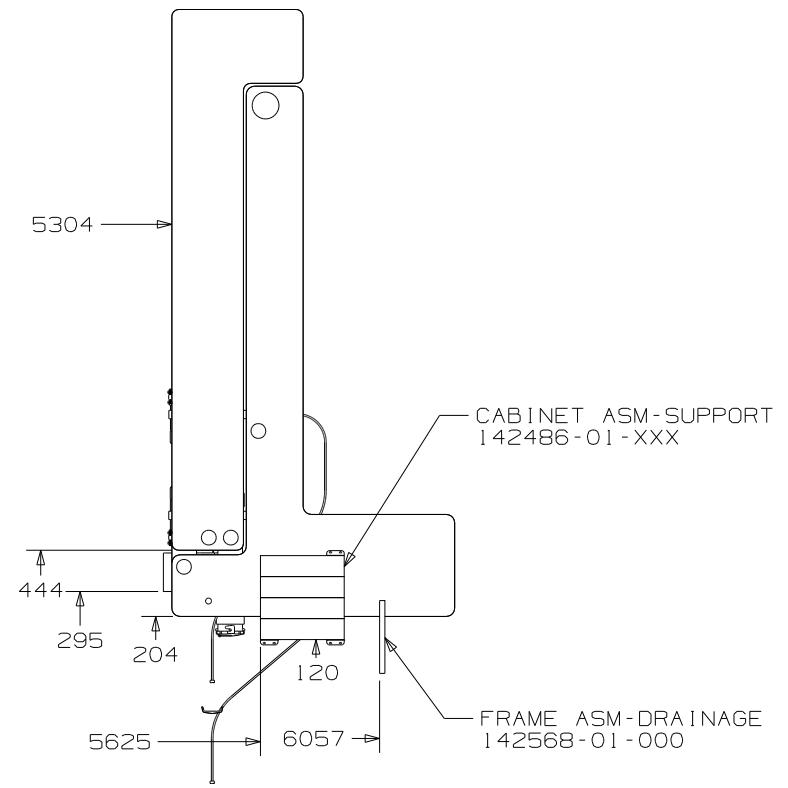
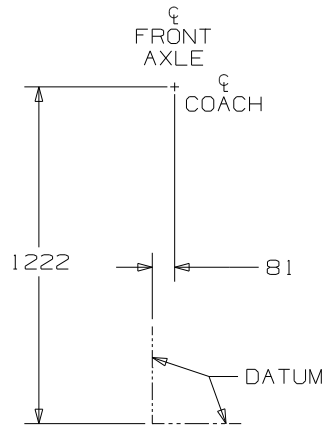
ADAPTER-SWIVEL, 1-1/2
130685-03-000

ELBOW-1 1/2" SOCKET SLIP FIT
136111-01-000

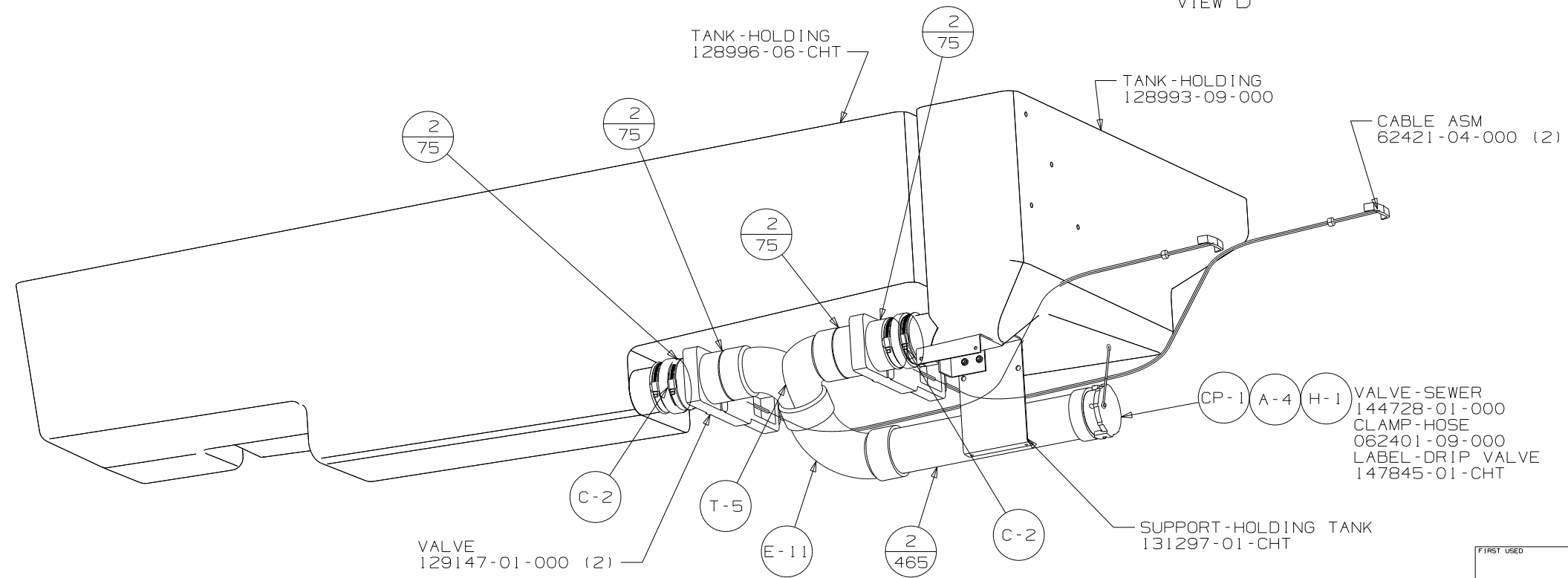
CLAMP
8406-01-000 (2)
SCREW
49465-17-000 (4)

VIEW B
54E 21M

FIRST USED	04 Q40E
DO NOT SCALE DRAWING	
TITLE	DRAINAGE SYSTEM INSTL
SHEET 3	PART NO 144782

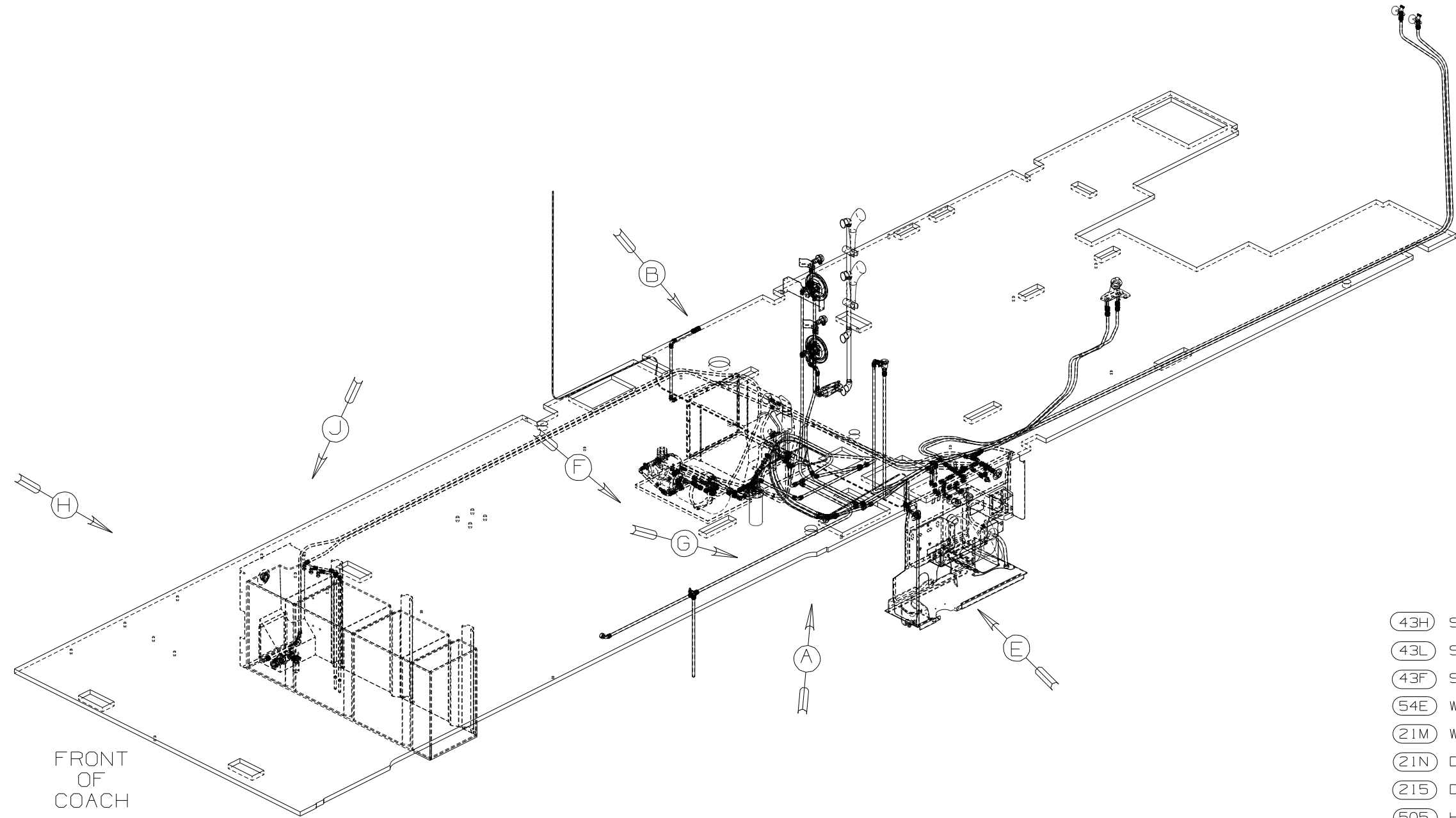


VIEW D



VIEW E

FIRST USED	04 Q40E
DO NOT SCALE DRAWING	
TITLE	DRAINAGE SYSTEM INSTL
SHEET 4	PART NO 144782



FRONT OF COACH

- (43H) SHOWER HEAD-HAND HELD
- (43L) SHOWER/TUB W/WALL SURROUND
- (43F) SHOWER SURROUND
- (54E) WASHER/DRYER
- (21M) WASHER/DRYER PREP
- (21N) DISHWASHER/BUILT-IN
- (215) DISHWASHER WITHOUT
- (505) HOSE REEL-WATER,POWERED

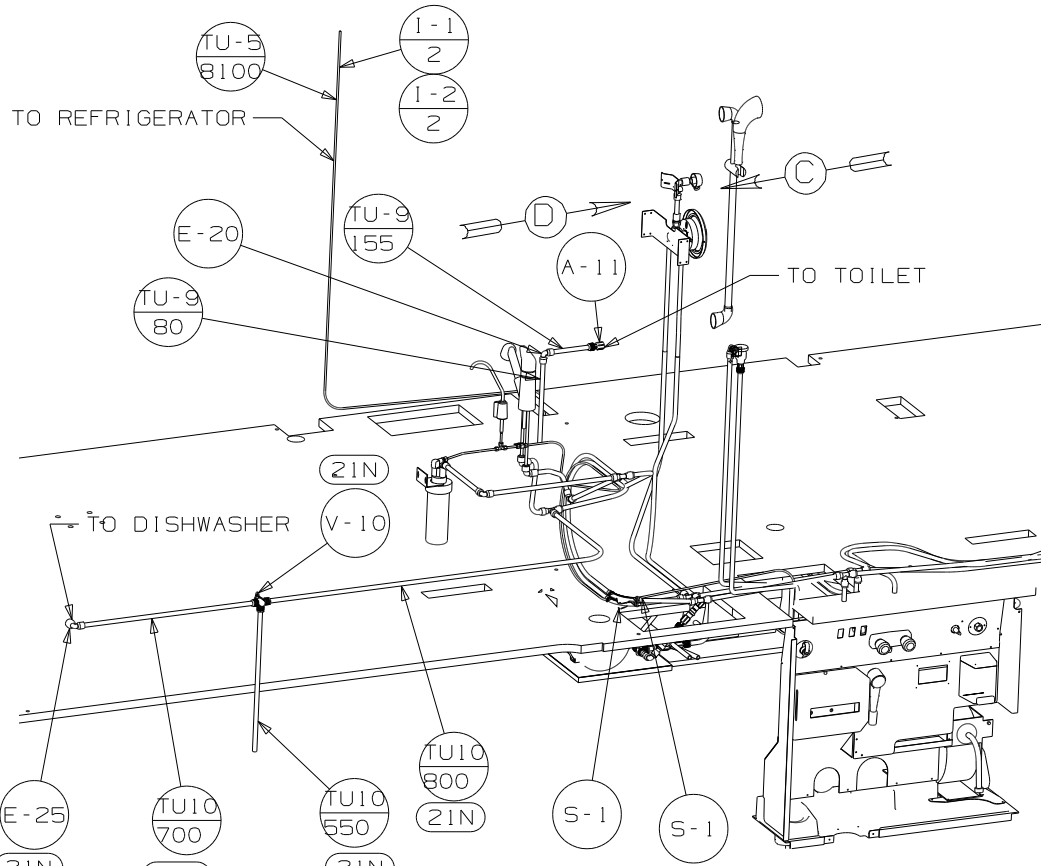
- △6 ADD TEFLON TAPE 10405-01-000.
- △5 ADD TEFLON TAPE 10405-03-000.
- △4 FLUSHING SYSTEM REQUIRES 125697-06-000 INSTRUCTION SHEET.

- 3. ALL TUBING TO BE SECURED AT 1200 INTERVALS MAXIMUM WITH CLAMP 10495-01-000 OR CLIP 91951-01-000 AND SCREW G67-10-12B.
- 2. TUBING TO BE INSTALLED WITH SUFFICIENT SLOPE TO PROVIDE DRAINAGE TO NEAREST VALVE.
- 1. PLASTIC FITTINGS TO BE SEALED WITH SEALANT 84456-01-000.

NOTES:

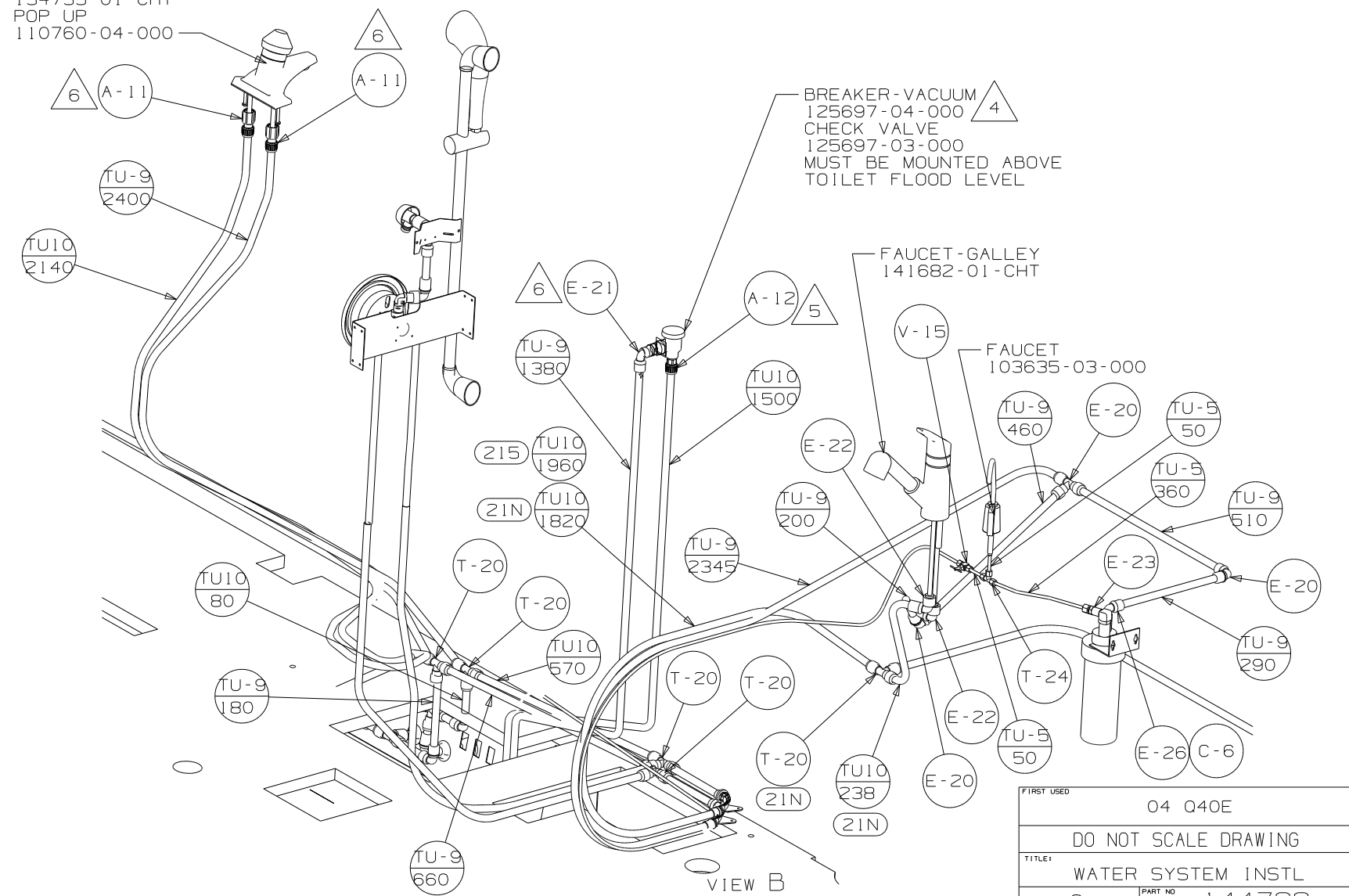
WINNEBAGO		COPYRIGHT 2003 WINNEBAGO INDUSTRIES, INC.	
DFT	ORIG. DATE	ALL DIMENSIONS ARE IN MILLIMETERS	
CHKR		FIRST USED	
P.E.		04 040E	
M.E.		UNSPECIFIED TOLERANCES ARE:	
DSNR		MATERIAL:	
		WHOLE DIM (X)	: 7
		ONE-PLACE (X.X)	:
		TWO-PLACE (X.XX)	:
		ANGLE	:
THIRD ANGLE PROJECTION		DO NOT SCALE DRAWING	
TITLE: WATER SYSTEM INSTL			
SHEET 1 OF 5		PART NO 144788	

(X-X)
FOR
WATER
CALLOUTS
SEE DWG NO
116230-01-000



VIEW A

FAUCET
134735-01-CHT
POP UP
110760-04-000



VIEW B

FIRST USED	04 Q40E
TITLE	DO NOT SCALE DRAWING
SHEET 2	WATER SYSTEM INSTL
PART NO	144788

SHOWER-HAND HELD, W/SLIDE BAR
143525-01-CHT

SHOWER-HAND HELD, W/SLIDE BAR
143525-01-CHT

DROP-ELL
135028-01-CHT
BRACKET-SHOWER HEAD
133726-01-CHT
VALVE
128974-01-CHT (N-1)

DROP-ELL-SHOWER
135028-01-CHT
BRACKET-SHOWER HEAD
133726-01-CHT
VALVE-SHOWER HEAD
128974-01-CHT (N-1)

FAUCET-TRIM KIT
144596-02-CHT

FAUCET-TRIM KIT
144596-02-CHT

BRACKET-SHOWER CONTRL
133721-02-CHT

SPOUT-TUB
145652-01-CHT

231

233

TU10
1700

TU10
1280

TU-9
1730

TU-9
1265

E-10

E-21

TU10
50

E-29

TU10
90

E-22

E-21

TU10
100

A-12

E-21

VIEW C

43F 43H

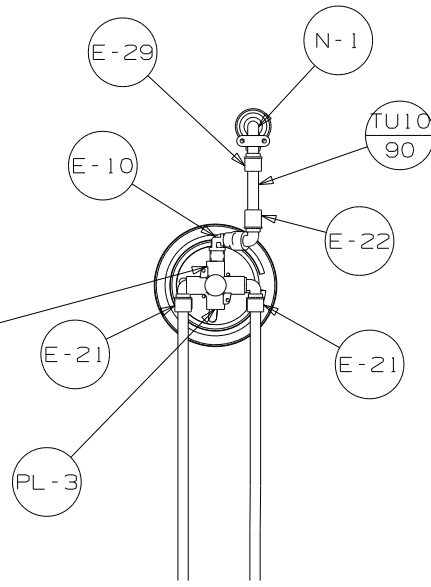
VIEW C

43H 43L

FAUCET-VALVE, SHOWER
144596-01-CHT

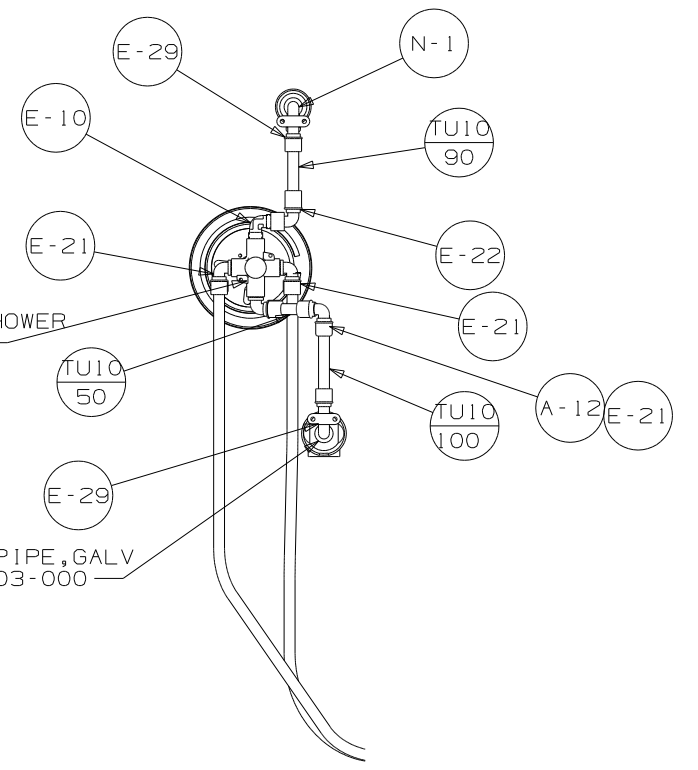
FAUCET-VALVE, SHOWER
144596-01-CHT

NIPPLE-PIPE, GALV
115009-03-000



VIEW D

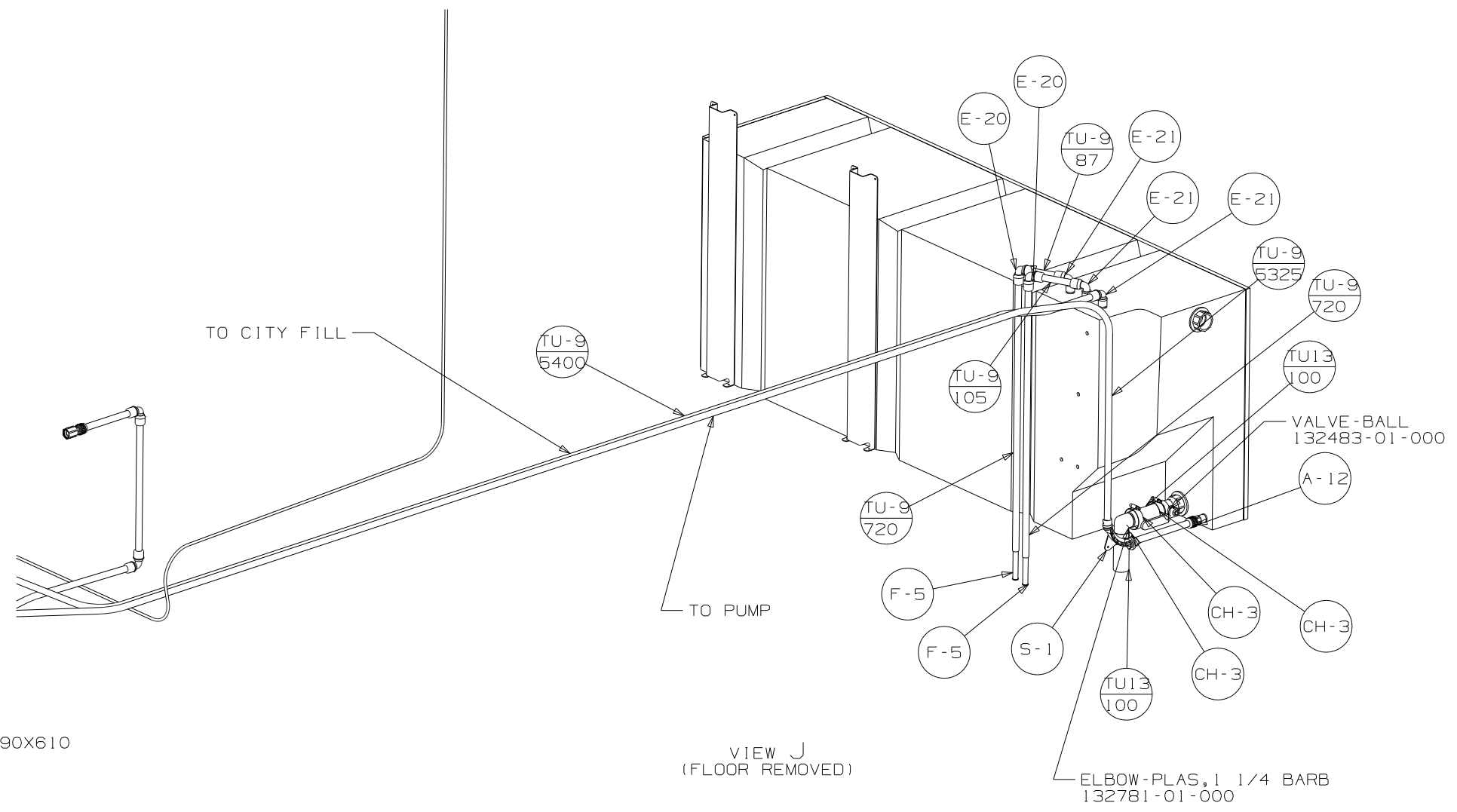
43F 43H



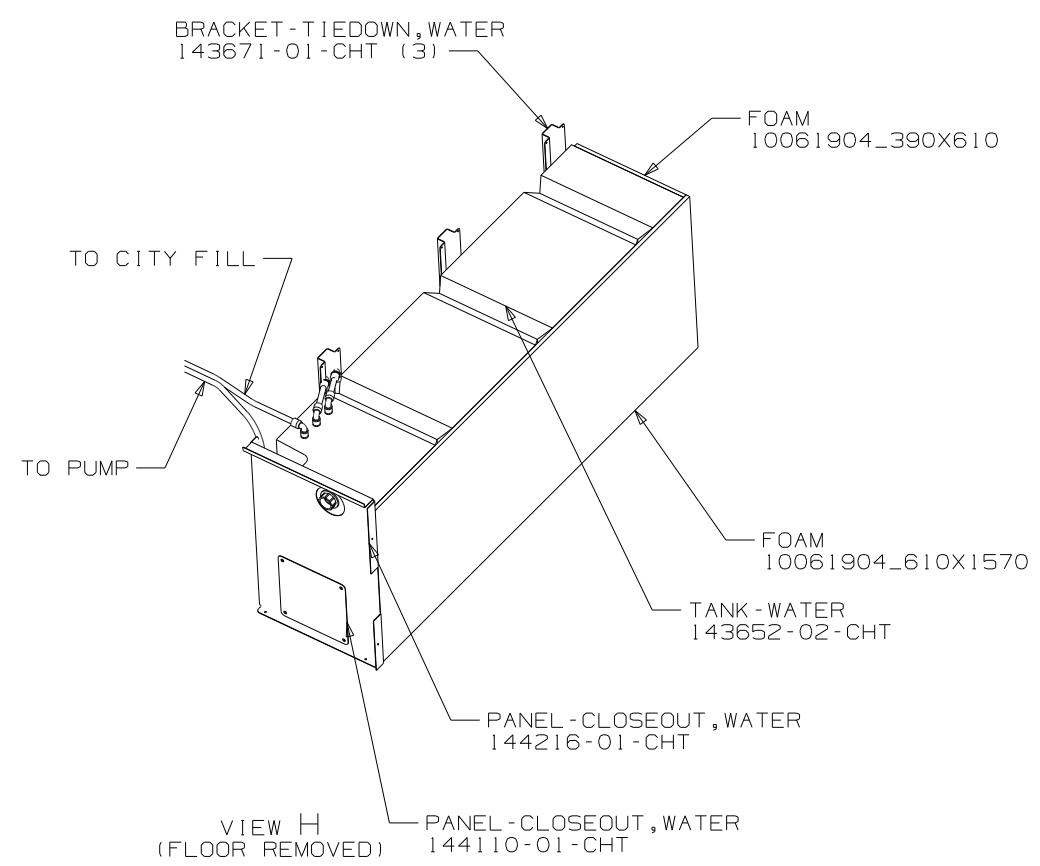
VIEW D

43H 43L

FIRST USED	04 Q40E
TITLE	DO NOT SCALE DRAWING
TITLE	WATER SYSTEM INSTL
SHEET 3	PART NO 144788



VIEW J
(FLOOR REMOVED)



VIEW H
(FLOOR REMOVED)

FIRST USED	04 Q40E
TITLE	DO NOT SCALE DRAWING
SHEET 5	PART NO 144788
	1 07/01/03