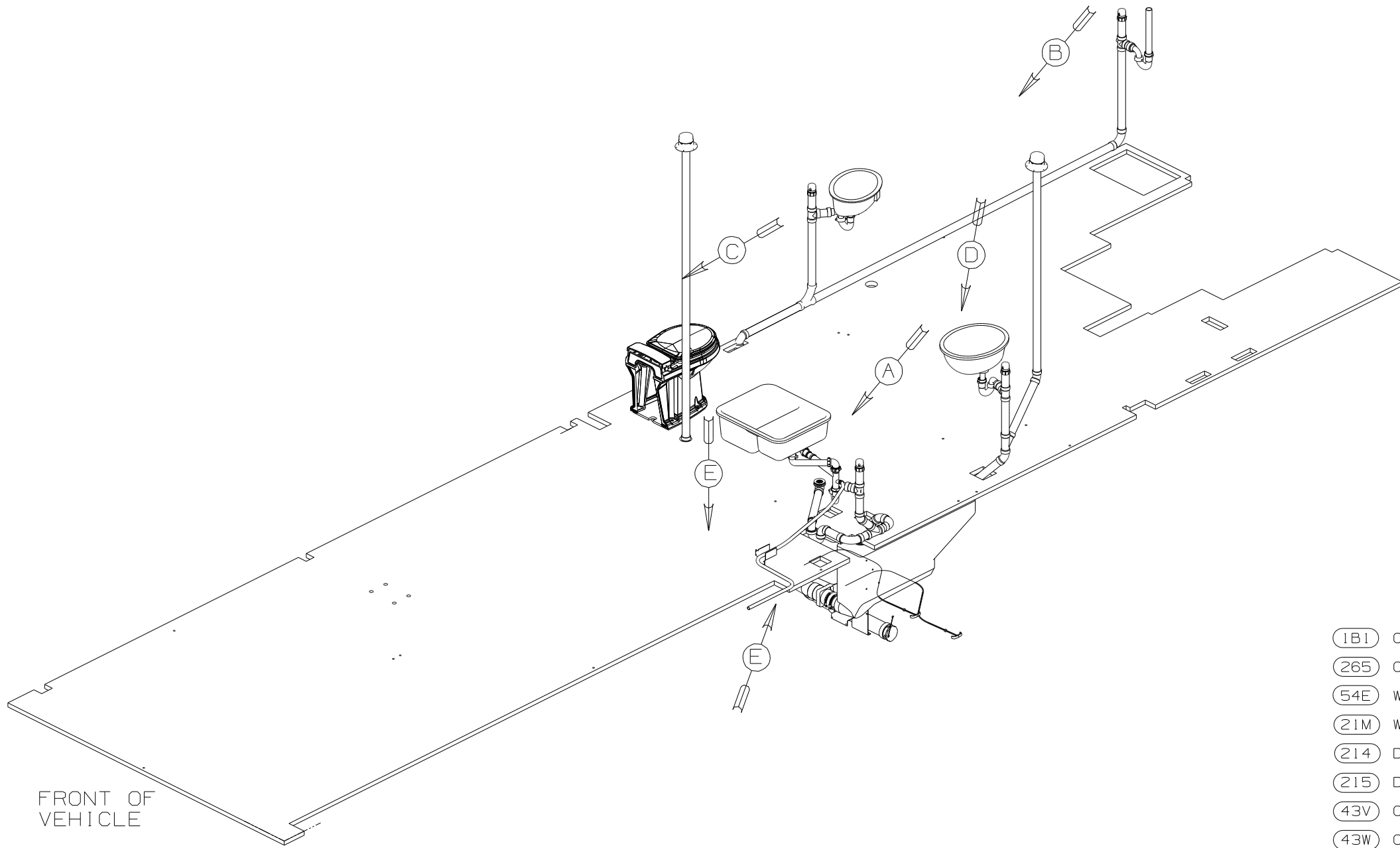


8 7 6 5 4 3 2



FRONT OF VEHICLE

- (1B1) CODES/STANDARDS USA
- (265) CODES/STANDARDS-CSA/CMVSS
- (54E) WASHER/DRYER
- (21M) WASHER/DRYER PREP
- (214) DISHWASHER/BUILT-IN
- (215) DISHWASHER WITHOUT
- (43V) CABINET-CHEST OF DRAWERS
- (43W) CABINET-LAVATORY

- 6 VENT PIPE MUST PROJECT 51 MIN AND 63.5 MAX ABOVE ROOF FOR PROPER FIT AND FUNCTION.
5. SEAL AROUND SHOWER WITH SILICONE.
4. ALL EXTERIOR OPENINGS AROUND PIPE TO BE SEALED WITH 110744-01-000.
3. ALL PIPE AND FITTINGS TO BE ASSEMBLED WITH SOLVENT 4020-01-000 (US), 4020-02-000 (CAN).
2. SLOPE OF TRAP ARM MUST BE 6 PER 305 MM.
1. SLOPE OF HORIZONTAL PIPING TO BE 3 PER 305 MM.

NOTES:

<b>WINNEBAGO</b>		COPYRIGHT 2003 WINNEBAGO INDUSTRIES, INC.	
DFTR	ORIG. DATE	ALL DIMENSIONS ARE IN MILLIMETERS	
CHKR		FIRST USED	
P.E.		04 Q40AD	
M.E.		UNSPECIFIED TOLERANCES ARE:	
DSNR		MATERIAL:	
		WHOLE DIM (X)	: 4
		ONE-PLACE (X.X)	:
		TWO-PLACE (X.XX)	:
		ANGLE	:
THIRD ANGLE PROJECTION		DO NOT SCALE DRAWING	
		TITLE: DRAINAGE SYSTEM INSTL	
SHEET 1 OF 4		PART NO 146812	

(X-X)  
FOR  
DRAINAGE  
CALLOUTS  
SEE DWG NO  
116229-01-000

8 7 6 5 4 3 2

(214) CONTINUOUS WASTE  
11091-04-000  
HOSE AND CLAMP  
SUPPLIED WITH DISHWASHER

TAILPIECE  
11069-03-000

SINK-GALLEY  
REF  
(SUPPLIED WITH COUNTERTOP)

STRAINER W/BASKET  
92303-01-000(2)  
SEAL  
91255-02-000(A/R)  
WASHER  
127440-01-CHT(2)

(43W) SINK  
113539-02-CHT  
(REF-SUPPLIED WITH  
LAVATORY COUNTERTOP)

PIPE-STAND (54E) (21M)  
130234-01-000

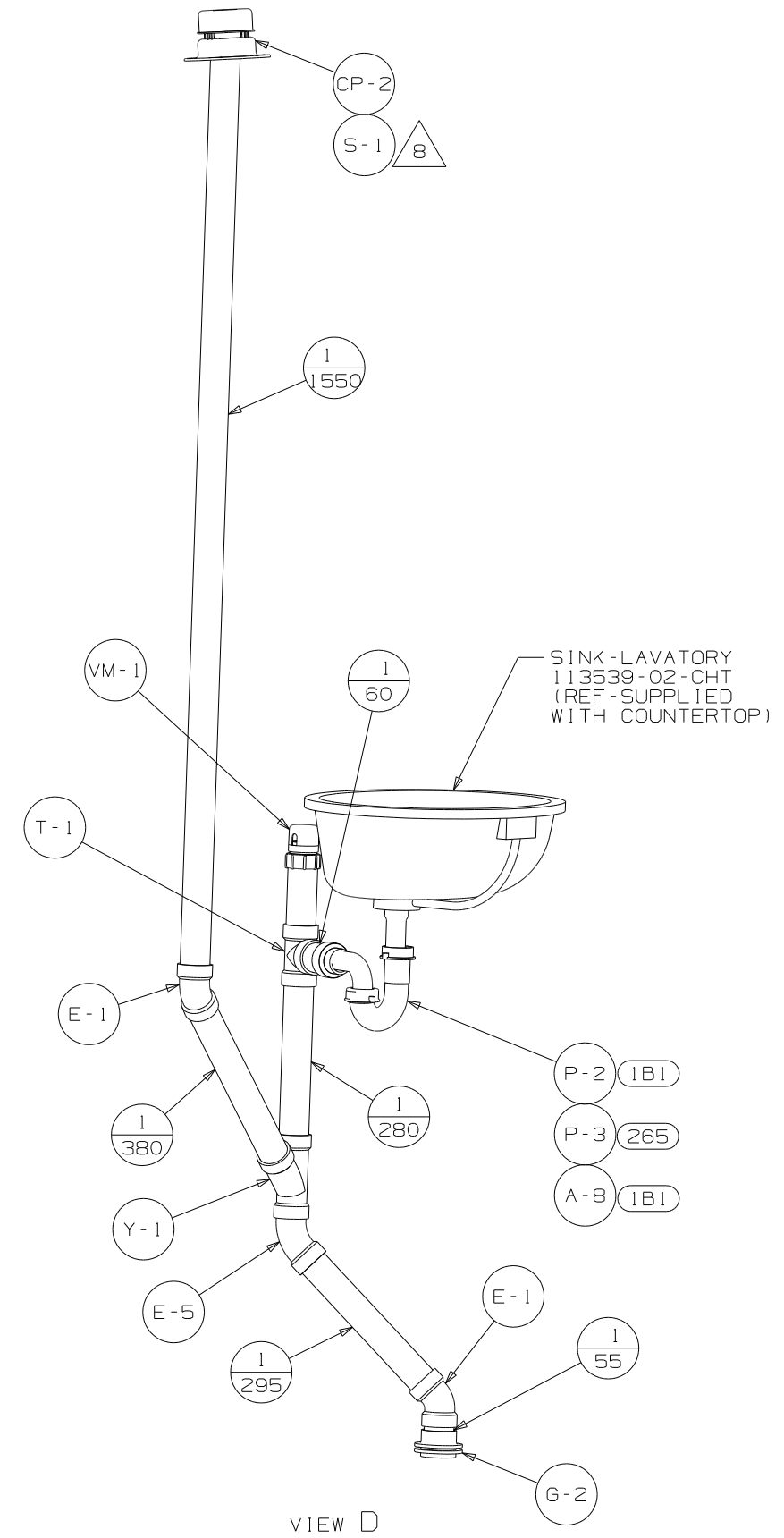
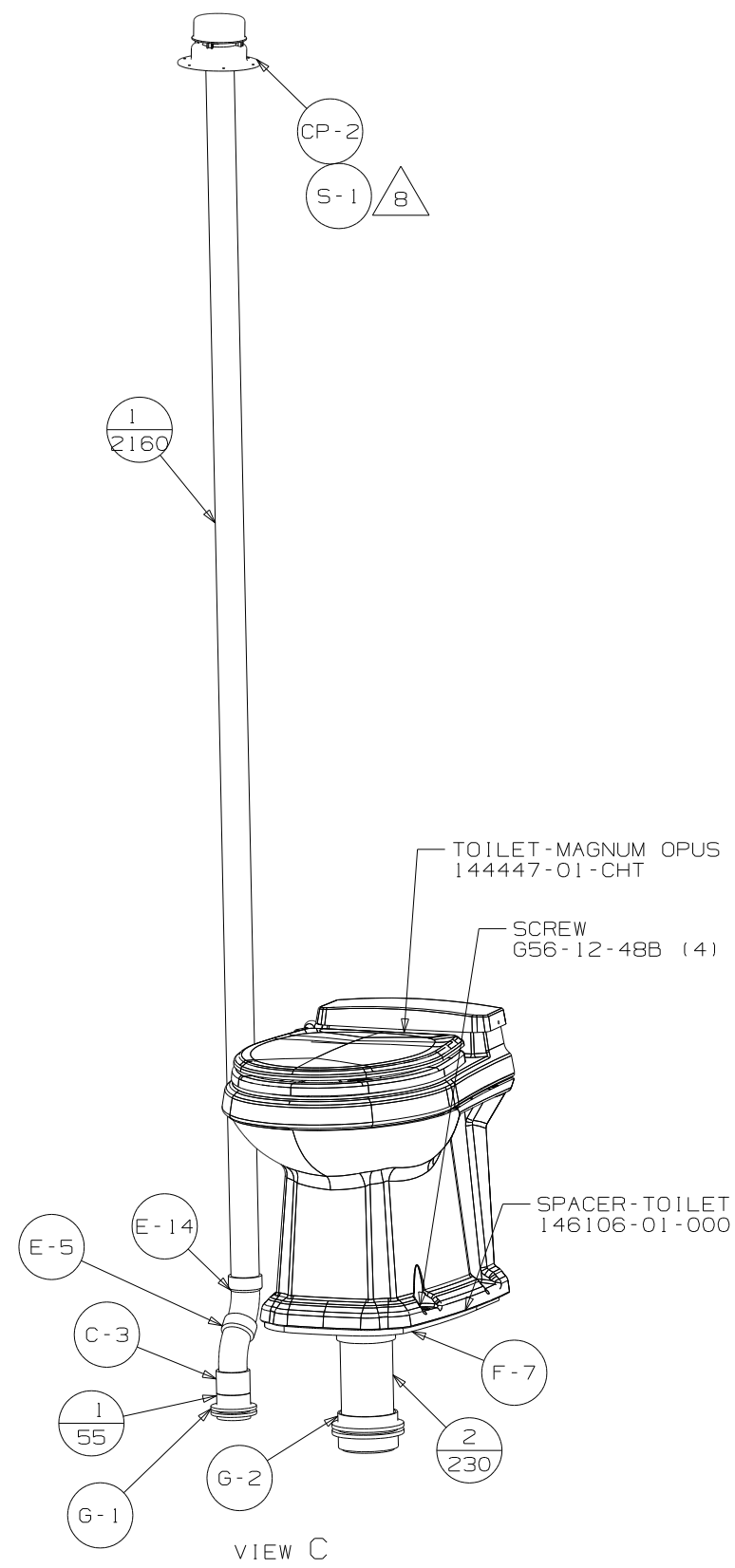
(54E) PLUG-PLASTIC  
61420-10-000

SHOWER COMPL  
142018-05-000  
STRAINER  
66440-01-000  
GASKET-FOAM  
132376-01-CHT  
ELBOW  
131486-01-000

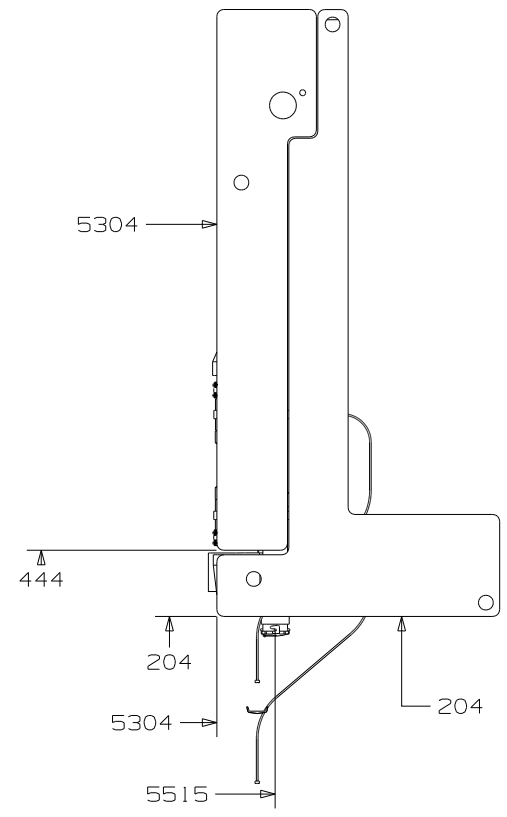
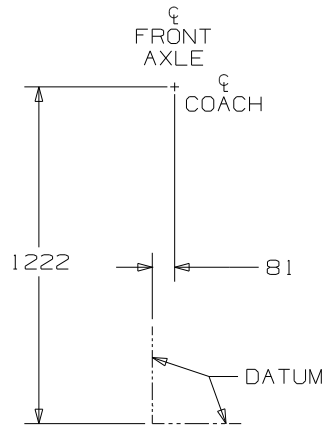
VIEW A

VIEW B

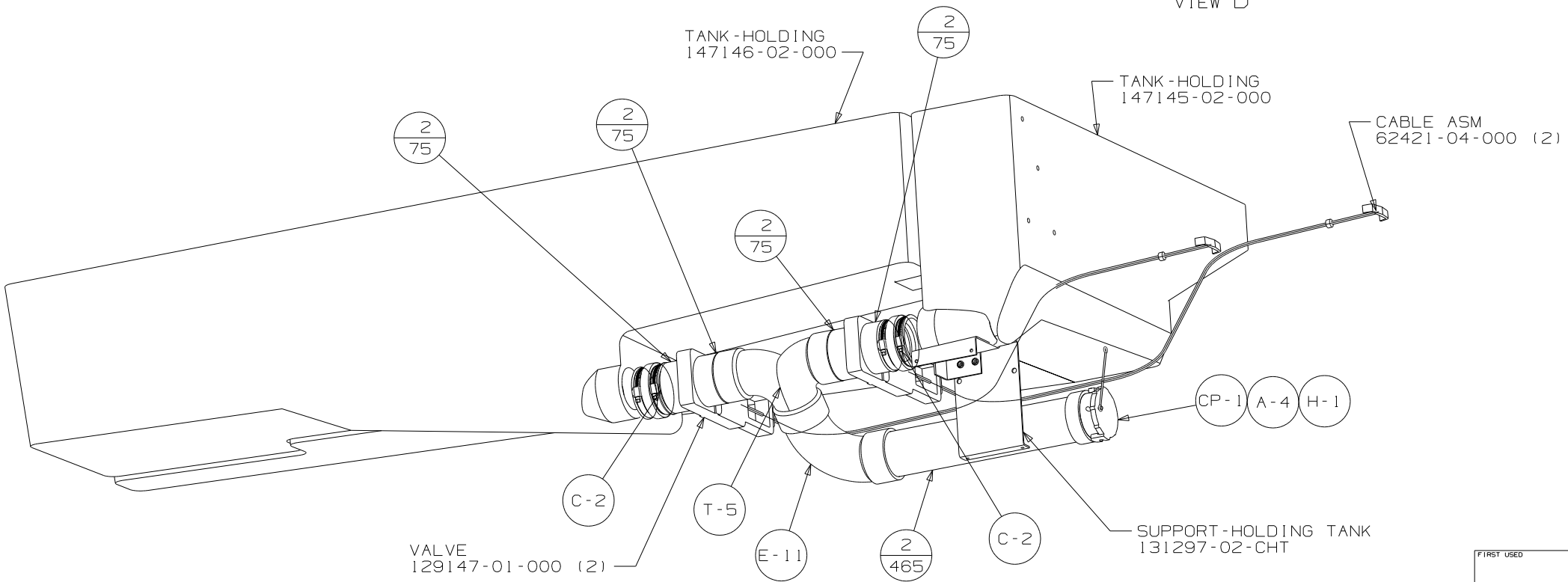
FIRST USED	04 Q40AD
DO NOT SCALE DRAWING	
TITLE	DRAINAGE SYSTEM INSTL
SHEET 2	PART NO 146812



FIRST USED	04 Q40AD
DO NOT SCALE DRAWING	
TITLE	DRAINAGE SYSTEM INSTL
SHEET 3	PART NO 146812

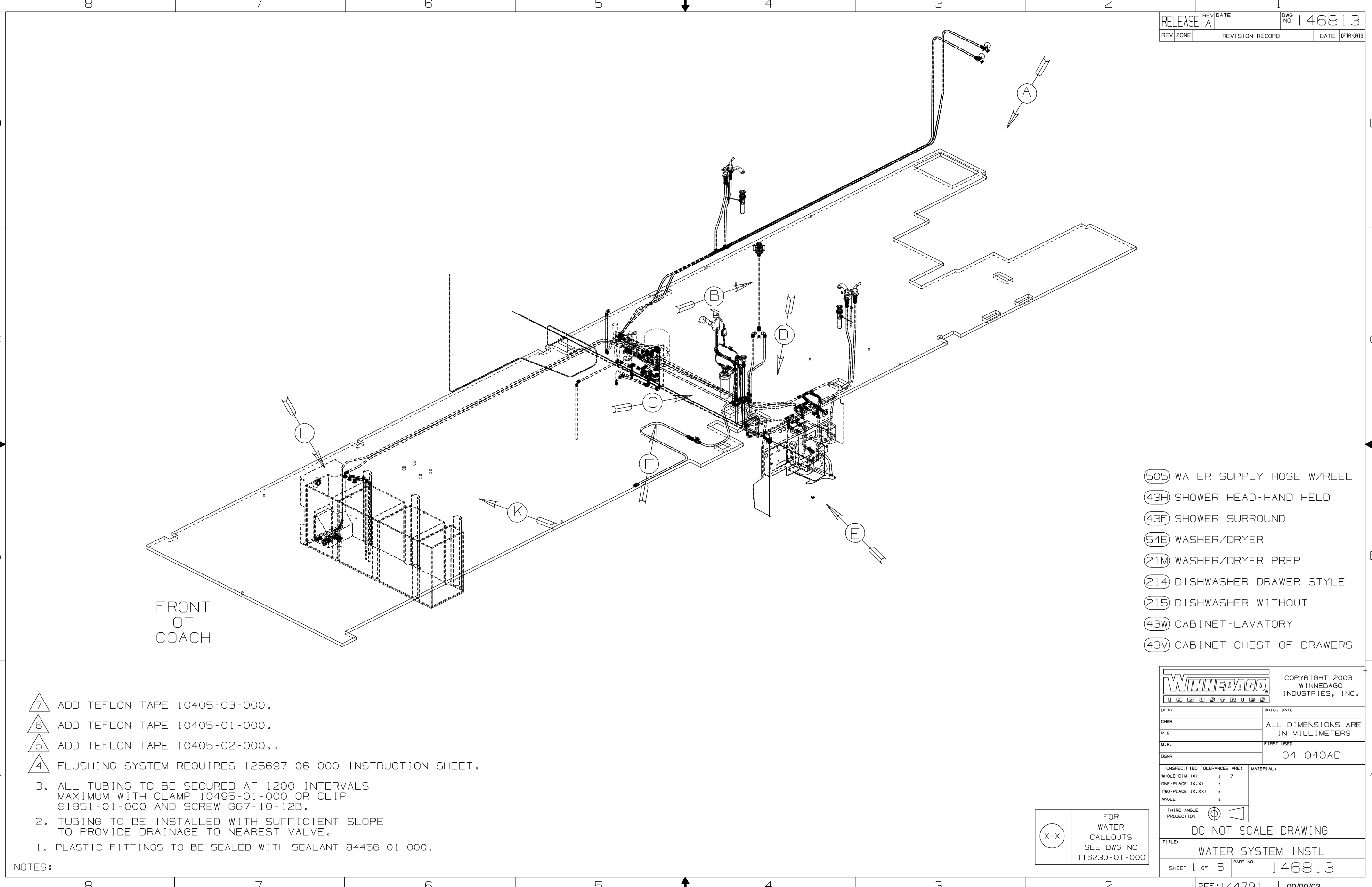


VIEW D



VIEW F

FIRST USED	04 Q40AD
TITLE	DO NOT SCALE DRAWING DRAINAGE SYSTEM INSTL
SHEET 4	PART NO 146812



FRONT  
OF  
COACH

- (505) WATER SUPPLY HOSE W/REEL
- (43H) SHOWER HEAD-HAND HELD
- (43F) SHOWER SURROUND
- (54E) WASHER/DRYER
- (21M) WASHER/DRYER PREP
- (214) DISHWASHER DRAWER STYLE
- (215) DISHWASHER WITHOUT
- (43W) CABINET-LAVATORY
- (43V) CABINET-CHEST OF DRAWERS

- 7 ADD TEFLON TAPE 10405-03-000.
- 6 ADD TEFLON TAPE 10405-01-000.
- 5 ADD TEFLON TAPE 10405-02-000..
- 4 FLUSHING SYSTEM REQUIRES 125697-06-000 INSTRUCTION SHEET.

- 3. ALL TUBING TO BE SECURED AT 1200 INTERVALS MAXIMUM WITH CLAMP 10495-01-000 OR CLIP 91951-01-000 AND SCREW G67-10-12B.
- 2. TUBING TO BE INSTALLED WITH SUFFICIENT SLOPE TO PROVIDE DRAINAGE TO NEAREST VALVE.
- 1. PLASTIC FITTINGS TO BE SEALED WITH SEALANT 84456-01-000.

NOTES:

(X-X)  
FOR  
WATER  
CALLOUTS  
SEE DWG NO  
116230-01-000

<b>WINNEBAGO</b>		COPYRIGHT 2003 WINNEBAGO INDUSTRIES, INC.	
DFTR	ORIG. DATE	ALL DIMENSIONS ARE IN MILLIMETERS	
CHKR		FIRST USED	
P.E.		04 Q40AD	
M.E.		UNSPECIFIED TOLERANCES ARE:	
DSNR		MATERIAL:	
		WHOLE DIM (X)	: 7
		ONE-PLACE (X.X)	:
		TWO-PLACE (X.XX)	:
		ANGLE	:
THIRD ANGLE PROJECTION		DO NOT SCALE DRAWING	
TITLE: WATER SYSTEM INSTL			
SHEET 1 OF 5		PART NO 146813	

BRACKET-SHOWER HEAD  
143101-01-CHT

SHOWER HEAD  
143525-01-CHT

DROP ELL  
135028-01-CHT  
133726-01-CHT  
VALVE  
128974-01-CHT

BRACKET-SHOWER CONTROL  
133721-02-CHT  
FAUCET-VALVE, SHOWER  
144596-01-CHT  
FAUCET-TRIM KIT  
144596-02-CHT

BREAKER-VACUUM  
125697-04-000  
CHECK VALVE  
125697-03-000  
MUST BE MOUNTED ABOVE  
TOILET FLOOD LEVEL  
(MOUNT BELOW COUNTERTOP  
FOR SERVICE ACCESS)

FAUCET-LAV W/HANDLES  
132410-04-CHT

VIEW B

ADAPTOR-BRASS, 3/8X1/2MPT  
146297-01-000 (214)

FAUCET  
103635-03-000

A-11

TU-9  
630

TU-9  
40 (214)

R-8 (214)

FAUCET-LAV W/HANDLES  
132410-04-CHT (43W)

TU-5  
7800

A-11

TO DISHWASHER

TO TOILET

FAUCET  
141682-01-CHT

A-12

A-12 (214)

FILTER  
87200-01-000  
CARTRIDGE  
87200-02-000  
SCREW  
667-10-12U (2)

TU-9  
685 (43W)

A-11 (43W)

E-22 (43W)

TU-9  
730 (43W)

TU-9  
375 (43W)

TU10  
1410

TU-9  
1330

TU-9  
730 (214)

T-20  
43W

TU-9  
1460 (43W)

E-22 (43W)

TU10  
560

FAUCET  
98419-01-000 (2)

A-12 (214)

43W TU-9  
4740

TU10  
4315 (43W)

T-20  
43W

TU10  
1460 (43W)

TU-9  
560

TU-5  
285

43V TU-9  
5670

TU10  
5650 (43V)

T-20  
43W

TU10  
1460 (43W)

E-22 (43W)

E-23 (43W)

C-6 (43W)

E-26 (43W)

T-20 (43W)

TU-9  
80 (43W)

TU10  
80 (43W)

TU10  
380 (43W)

E-20 (43W)

T-20 (43W)

TU-9  
440 (43W)

TU-9  
45 (43W)

TU-9  
3200 (43W)

A-12 (43W)

S-1 (43W)

S-1 (43W)

TU10  
1190 (43W)

T-20 (43W)

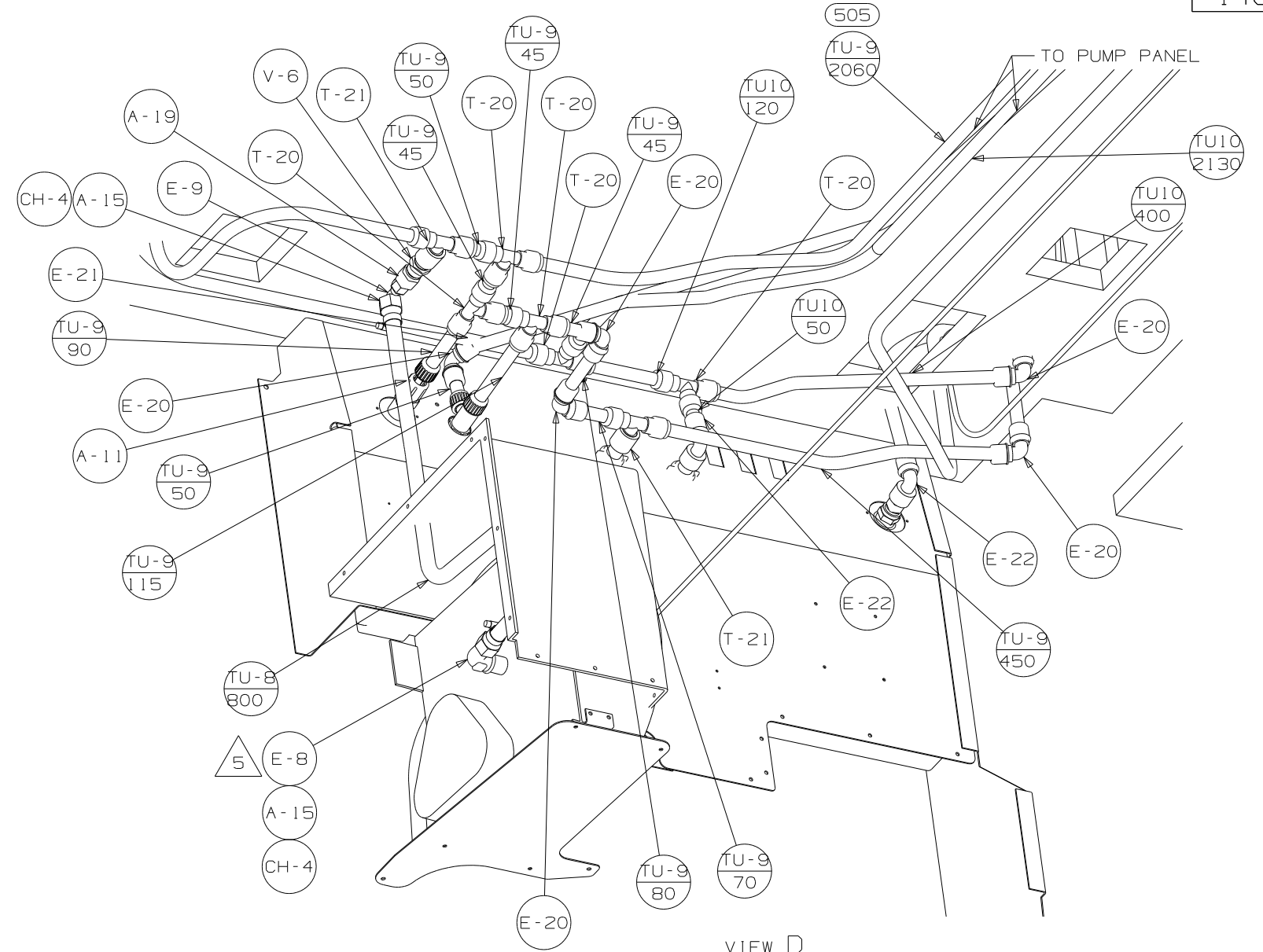
E-20 (43W)

T-20 (43W)

VIEW A

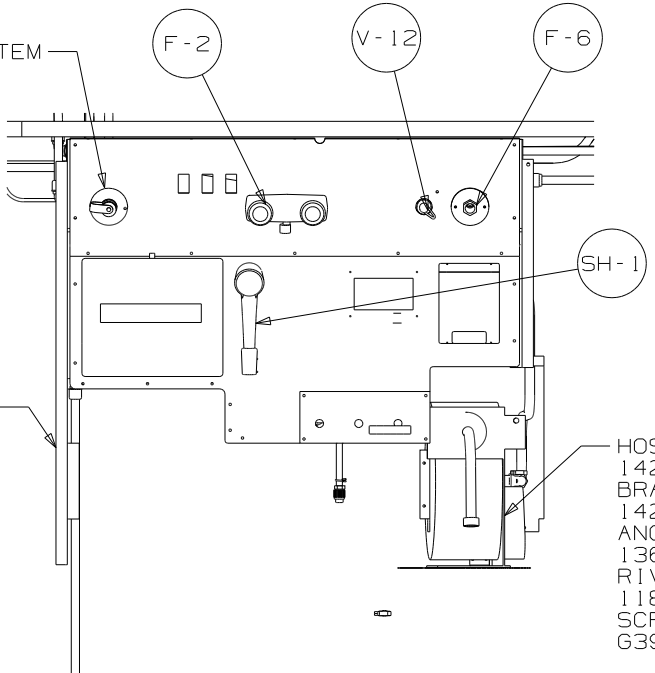
VIEW C

FIRST USED	04 Q40AD
TITLE	DO NOT SCALE DRAWING
TITLE	WATER SYSTEM INSTL
SHEET 2	PART NO 146813



VIEW D

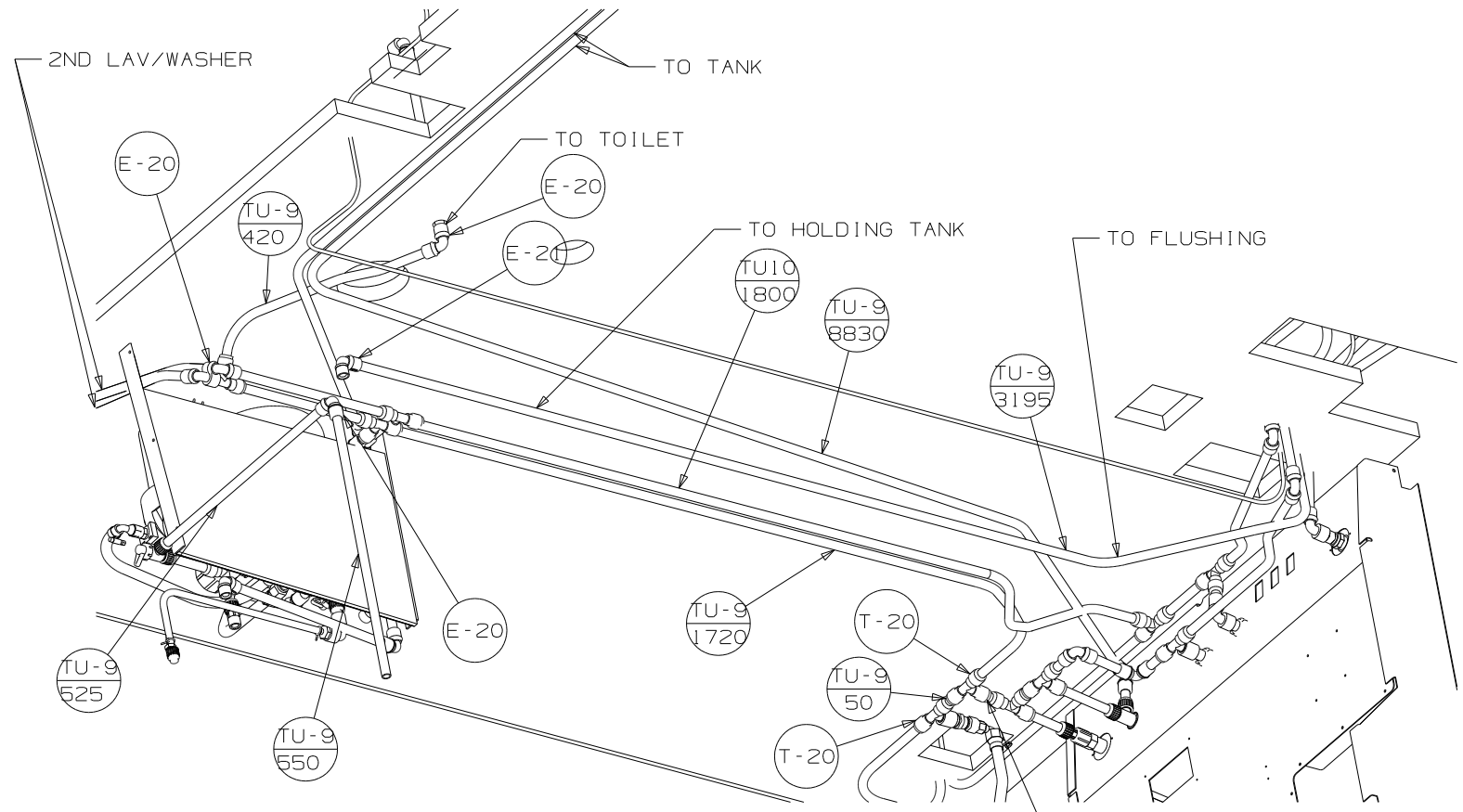
INLET-WATER FLUSHING SYSTEM



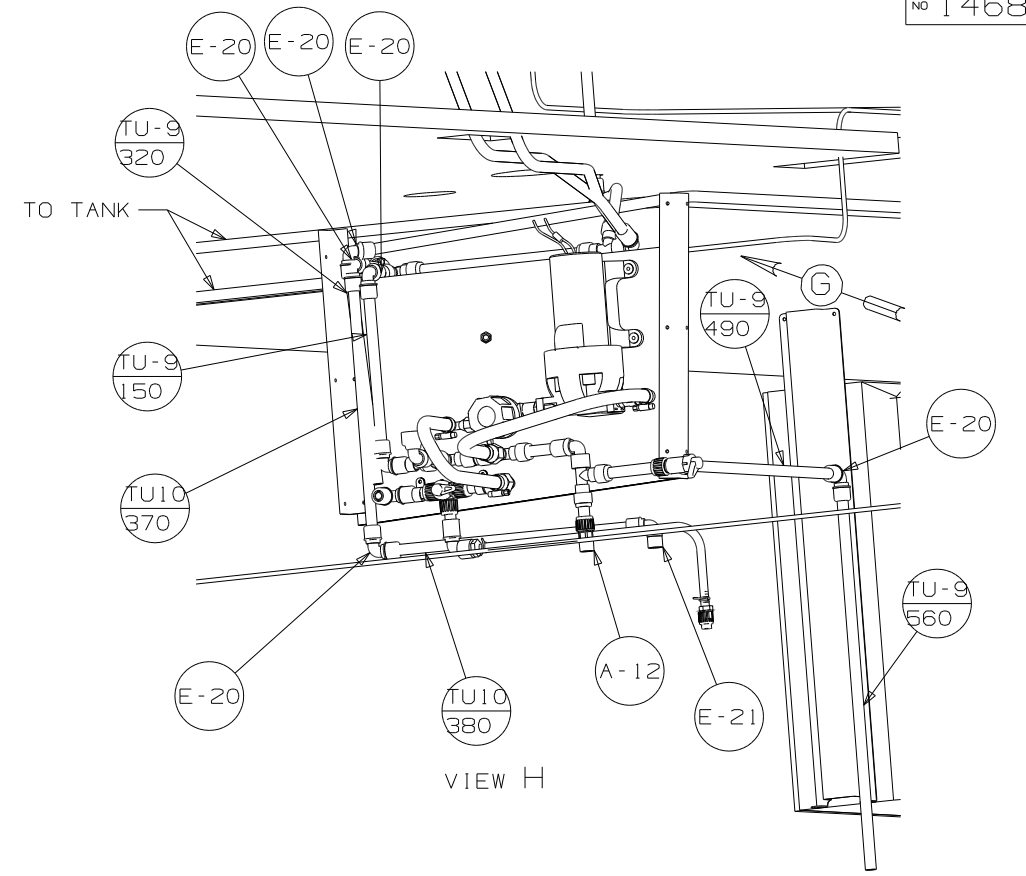
VIEW E

- HOSE REEL-WATER, POWERED (505)
- 142675-01-CHT
- BRACKET
- 142667-01-CHT
- ANGLE
- 136002-27-CHT
- RIVET
- 118626-01-CHT (4)
- SCREW
- G39-10-20U (2)

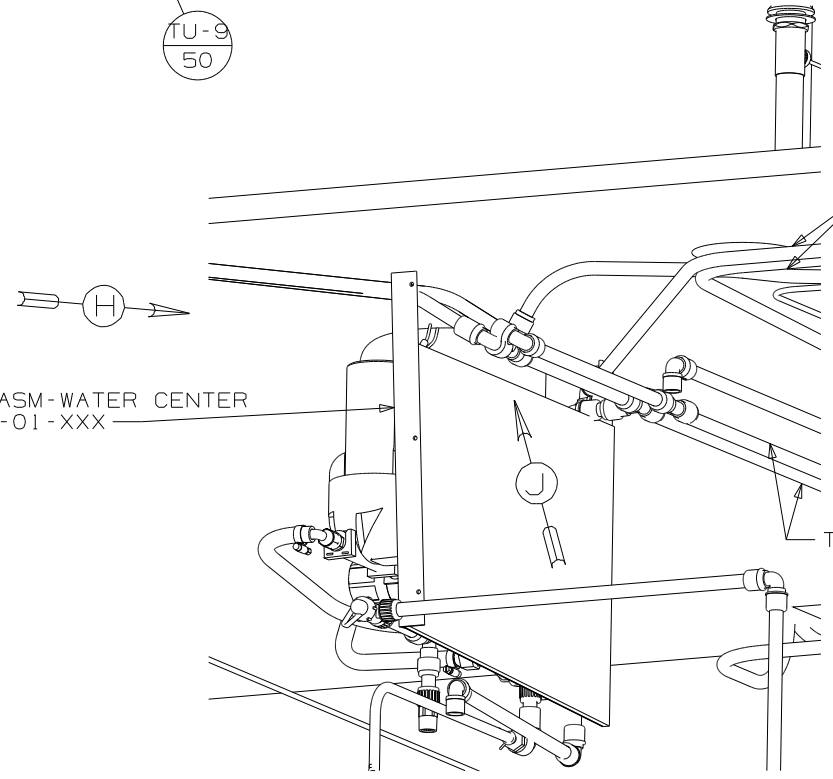
FIRST USED	04 Q40AD
TITLE	DO NOT SCALE DRAWING
TITLE	WATER SYSTEM INSTL
SHEET 3	PART NO 146813



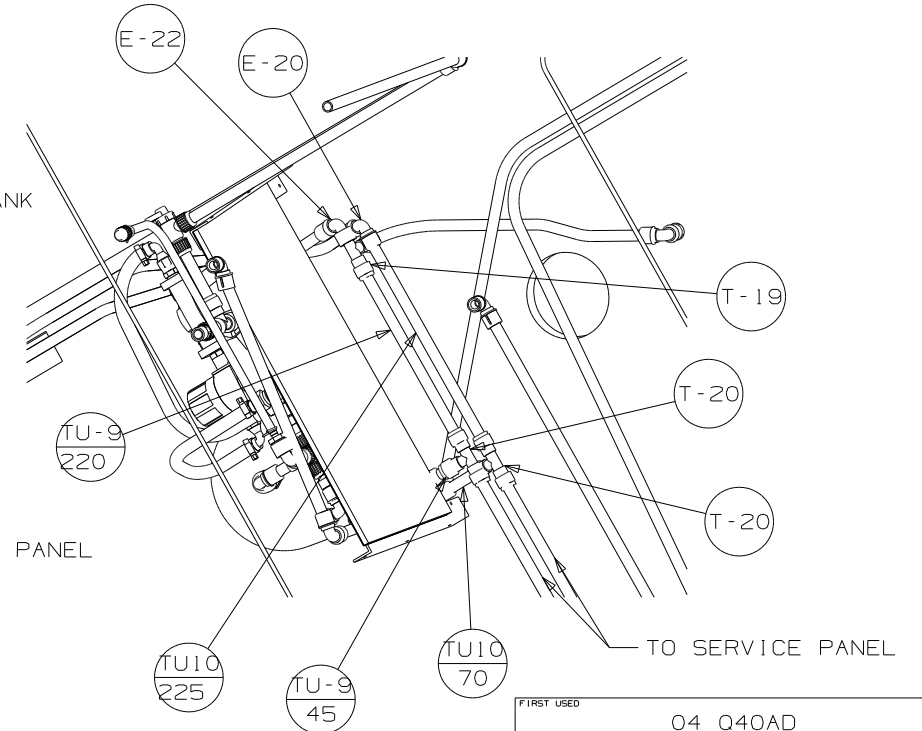
VIEW F



VIEW H



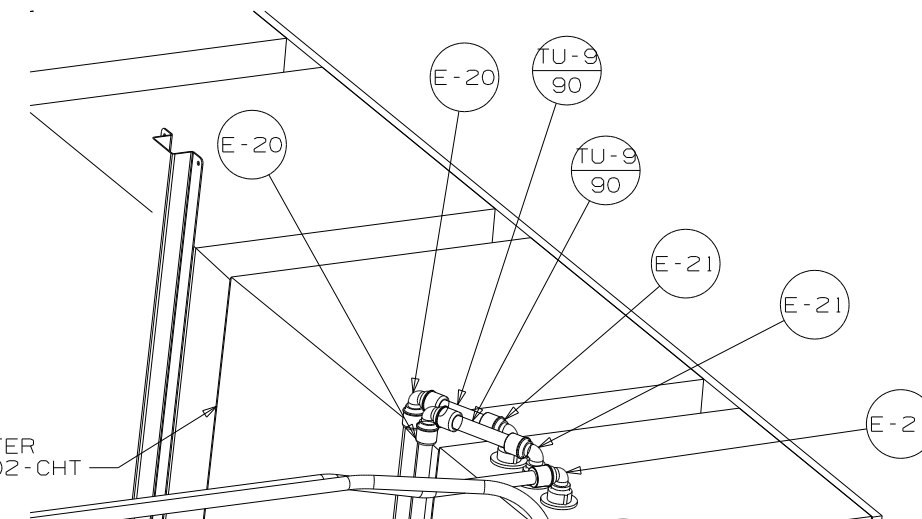
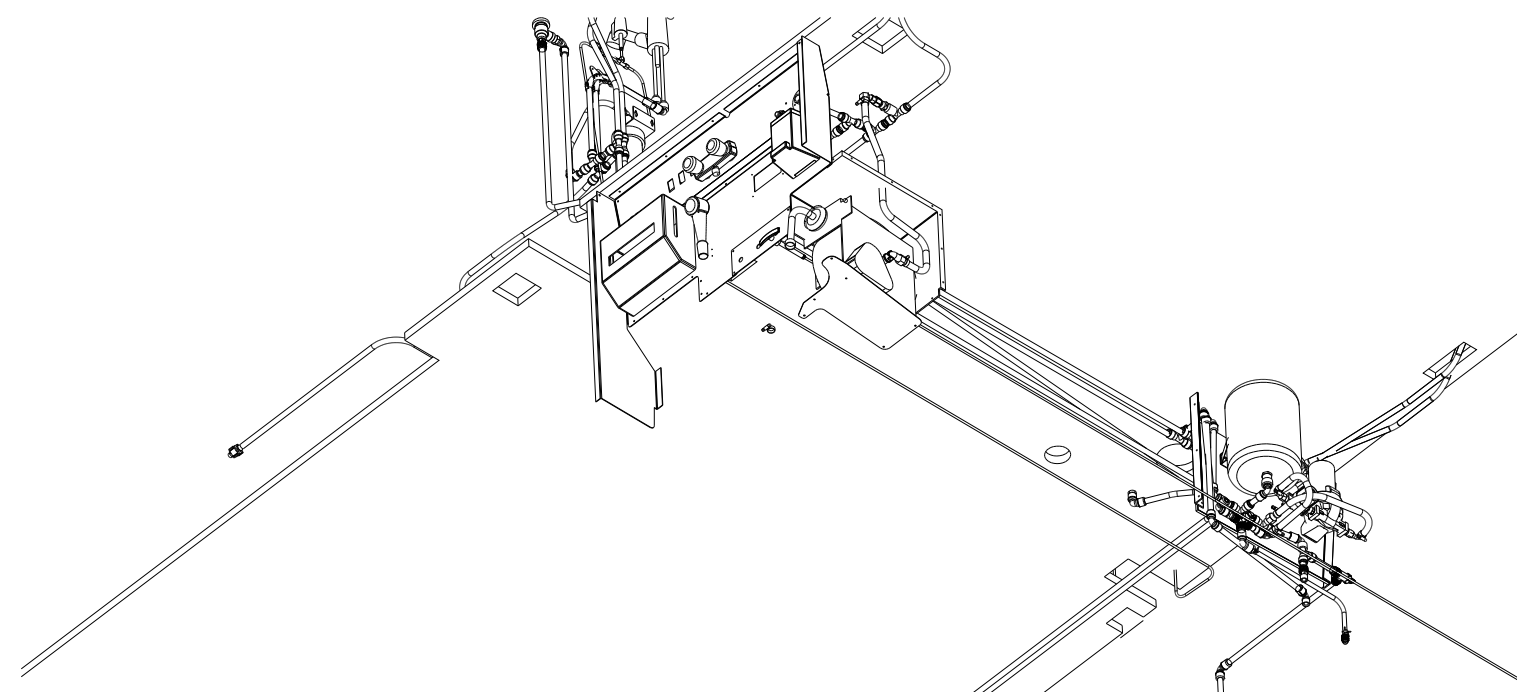
VIEW G



VIEW J

FIRST USED	04 Q40AD
TITLE	DO NOT SCALE DRAWING
	WATER SYSTEM INSTL
SHEET 4	PART NO 146813





FOAM  
100619-04-000  
(390 X 610)

FOAM  
100619-04-000  
(610 X 1570)

TU-9  
5445

TU-9  
4495

BRACKET - TIEDOWN, WATER  
143671-01-CHT (3)

PANEL - CLOSEOUT  
144216-02-CHT  
9CARPT-04  
PANEL - CLOSEOUT  
144110-01-CHT  
BOLT  
C26-04-08B (4)

S-1

VIEW K

TANK - WATER  
143652-02-CHT

E-20

E-20

TU-9  
90

TU-9  
90

E-21

E-21

E-21

CH-1

CH-1

TU-9  
720

F-5

F-5

S-1

TU-9  
720

CH-1

A-12

F-5

VALVE  
132483-01-000  
TUBE  
74462-01-000  
(100) (2)  
ELBOW-PLASTIC  
132781-01-000

VIEW L

FIRST USED	04 Q40AD
DO NOT SCALE DRAWING	
TITLE	WATER SYSTEM INSTL
SHEET 5	PART NO 146813