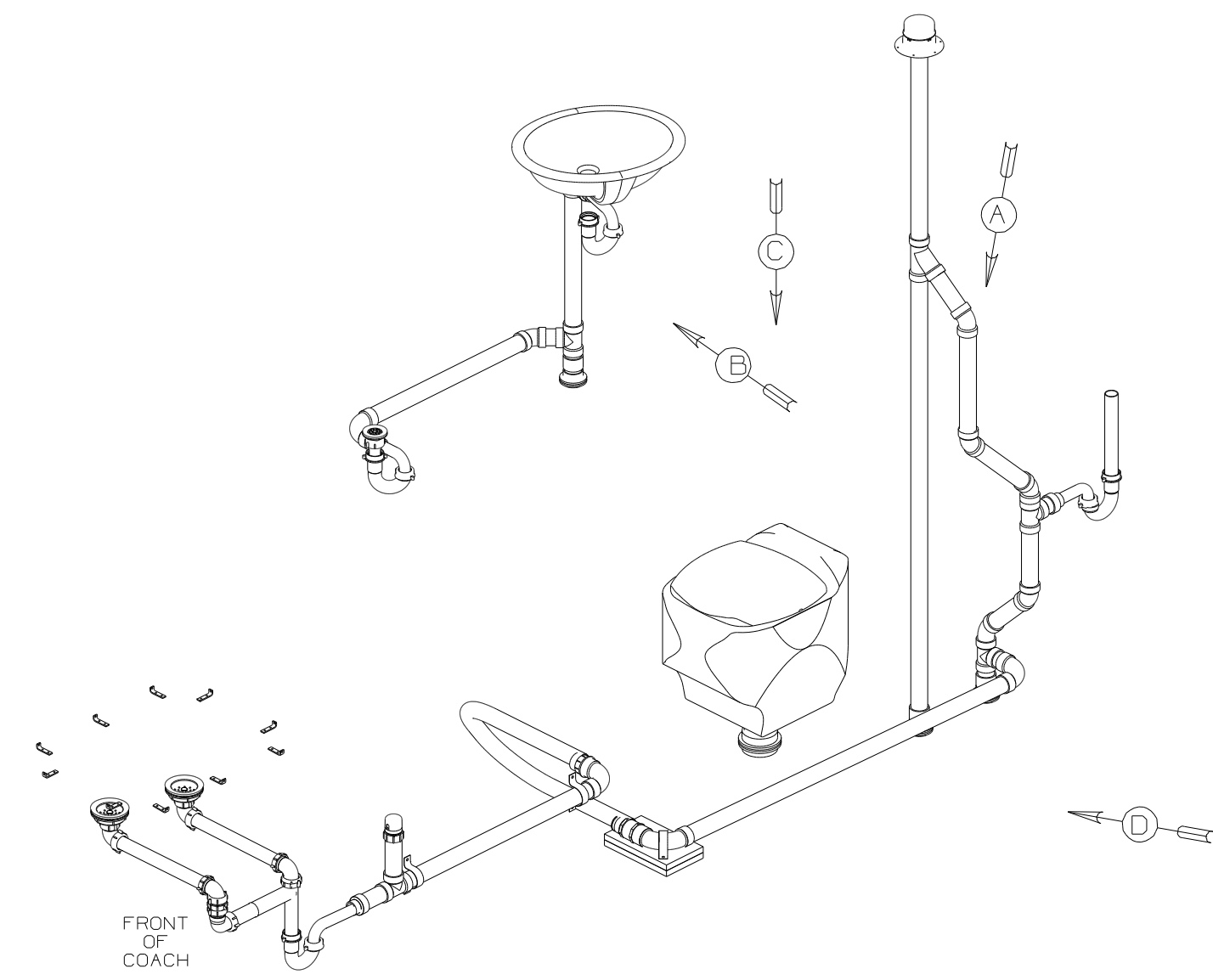


DWG NO	----
145011-01	(WIN)
145011-02	(ITA)

RELEASE	REV DATE	DWG NO	145011
REV ZONE	REVISION RECORD	DATE	DFTR-ORIG



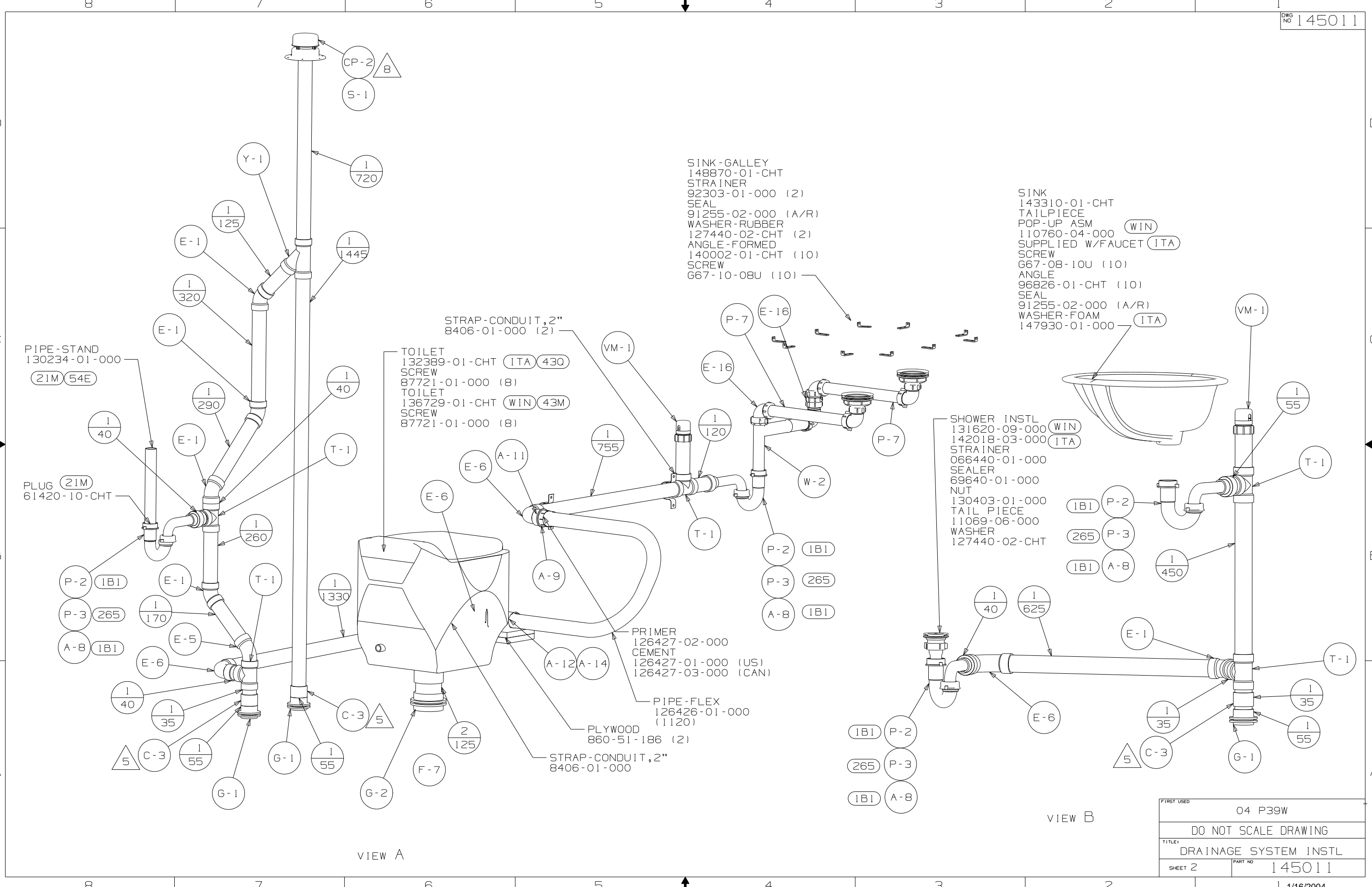
- (WIN) WINNEBAGO ONLY
- (ITA) ITASCA ONLY
- (1B1) CODES/STANDARDS-USA
- (265) CODES/STDS-CSA/CMVSS
- (54E) WASHER/DRYER
- (21M) WASHER/DRYER PREP
- (43M) TOILET PORCELAIN-ROUND ELONGATED
- (43Q) TOILET-PORCELAIN
- (54Z) FLOOR/BATH-VINYL TILE

- 8 VENT PIPE MUST PROJECT 51 MIN AND 64 MAX. ABOVE ROOF FOR PROPER FIT AND FUNCTION.
7. SEE DWG 61607-01-000 FOR INSTL OF GROMMETS.
6. SEAL ALL AROUND SHOWER WITH SILICONE.
- 5 SECURE VENT TUBES TO FLOOR WITH BRACKET.
4. ALL EXTERIOR OPENINGS AROUND PIPE TO BE SEALED WITH 110744-01-000.
3. ALL PIPE AND FITTINGS TO BE ASSEMBLED WITH SOLVENT 4020-01-000 (US), 4020-02-000 (CAN).
2. SLOPE OF TRAP ARM MUST BE 6 PER 305 MM.
1. SLOPE OF HORIZONTAL PIPING TO BE 6 PER 305 mm.

NOTES:

(X-X)
FOR DRAINAGE CALLOUTS SEE DWG NO 116229-01-000

WINNEBAGO		COPYRIGHT 2004 WINNEBAGO INDUSTRIES, INC.	
DFTR	ORIG. DATE	ALL DIMENSIONS ARE IN MILLIMETERS	
CHKR		FIRST USED	
P.E.		04 P39W	
M.E.		UNSPECIFIED TOLERANCES ARE:	
DSNR		MATERIAL:	
		WHOLE DIM (X) :	3
		ONE-PLACE (X.X) :	
		TWO-PLACE (X.XX) :	
		ANGLE :	
		THIRD ANGLE PROJECTION	
DO NOT SCALE DRAWING			
TITLE: DRAINAGE SYSTEM INSTL			
SHEET 1 OF 3	PART NO	145011	



- SINK-GALLEY
- 148870-01-CHT
- STRAINER
- 92303-01-000 (2)
- SEAL
- 91255-02-000 (A/R)
- WASHER-RUBBER
- 127440-02-CHT (2)
- ANGLE-FORMED
- 140002-01-CHT (10)
- SCREW
- G67-10-08U (10)

- SINK
- 143310-01-CHT
- TAILPIECE
- POP-UP ASM (WIN)
- 110760-04-000
- SUPPLIED W/FAUCET (ITA)
- SCREW
- G67-08-10U (10)
- ANGLE
- 96826-01-CHT (10)
- SEAL
- 91255-02-000 (A/R)
- WASHER-FOAM (ITA)
- 147930-01-000

- PIPE-STAND
- 130234-01-000
- (21M) (54E)

- PLUG (21M)
- 61420-10-CHT

- STRAP-CONDUIT, 2"
- 8406-01-000 (2)
- TOILET
- 132389-01-CHT (ITA) (430)
- SCREW
- 87721-01-000 (8)
- TOILET
- 136729-01-CHT (WIN) (43M)
- SCREW
- 87721-01-000 (8)

- SHOWER INSTL
- 131620-09-000 (WIN)
- 142018-03-000 (ITA)
- STRAINER
- 066440-01-000
- SEALER
- 69640-01-000
- NUT
- 130403-01-000
- TAIL PIECE
- 11069-06-000
- WASHER
- 127440-02-CHT

- PRIMER
- 126427-02-000
- CEMENT
- 126427-01-000 (US)
- 126427-03-000 (CAN)

- PIPE-FLEX
- 126426-01-000 (1120)

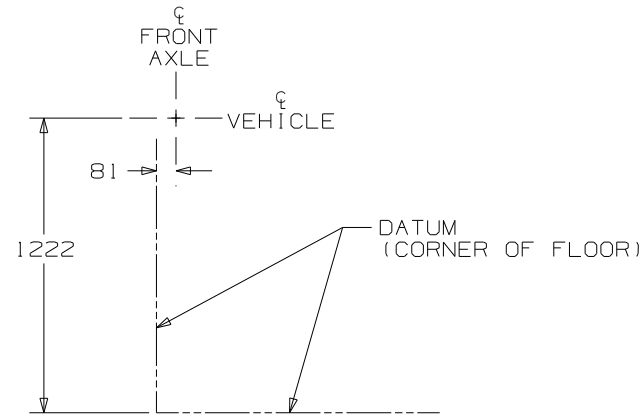
- PLYWOOD
- 860-51-186 (2)

- STRAP-CONDUIT, 2"
- 8406-01-000

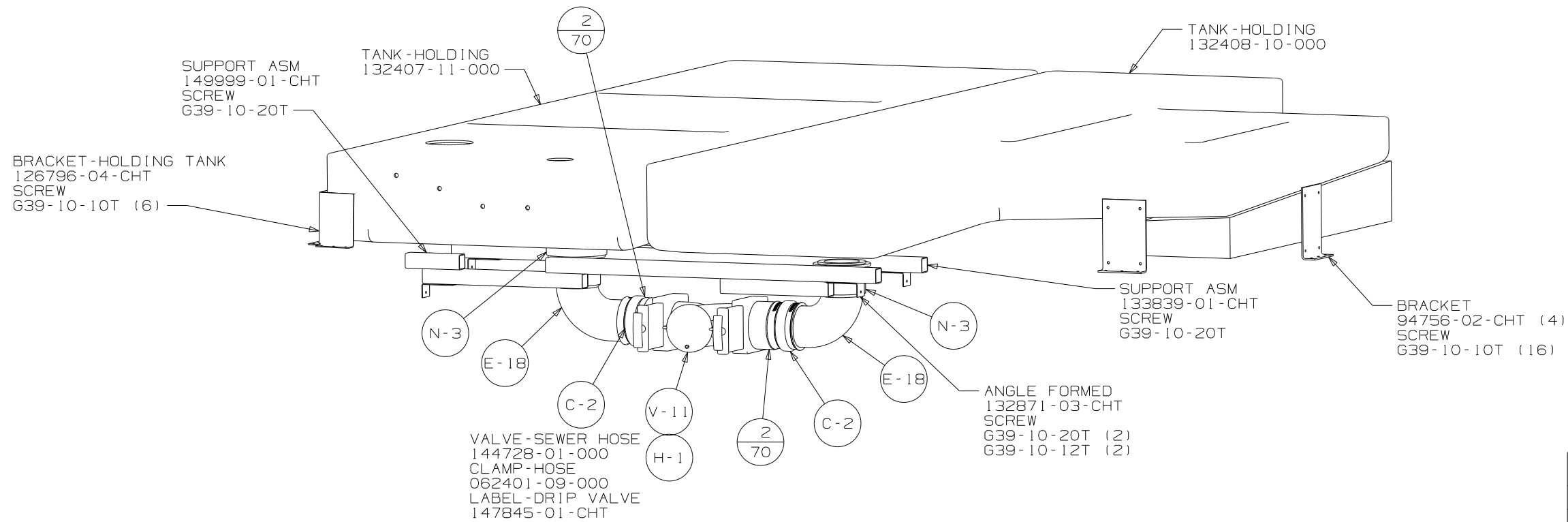
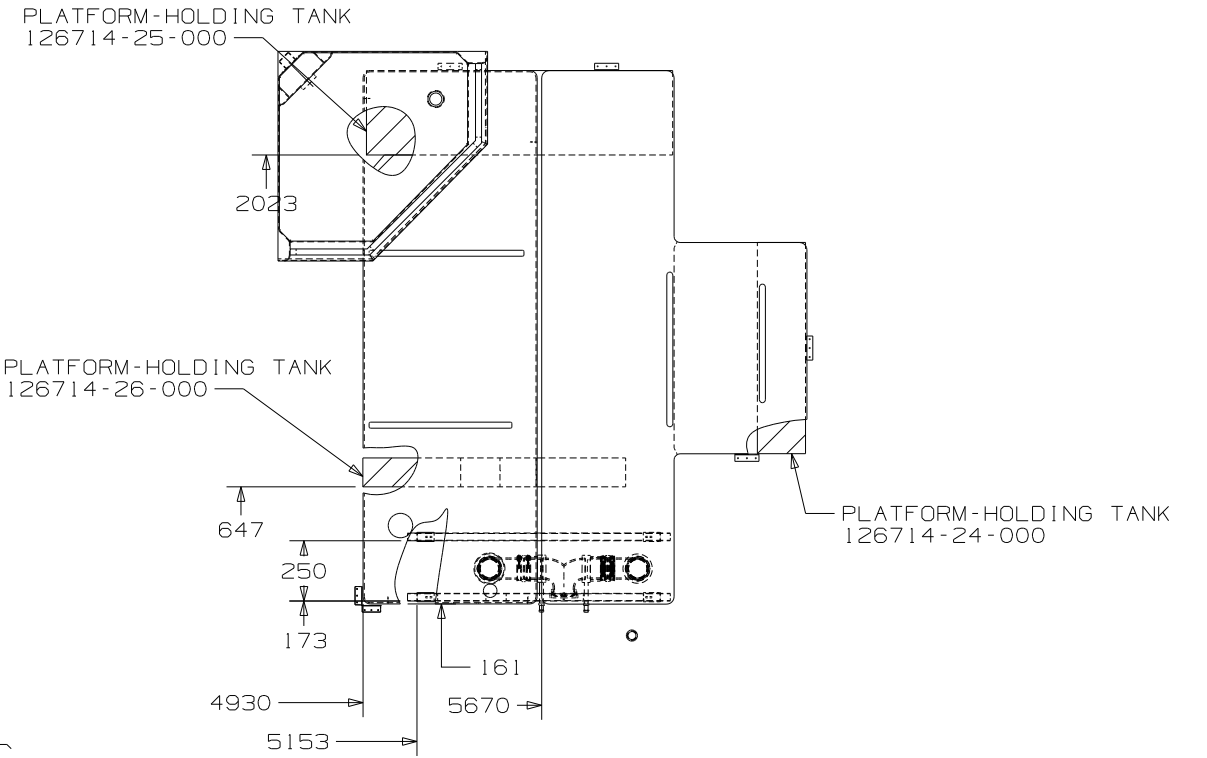
VIEW A

VIEW B

FIRST USED	04 P39W
DO NOT SCALE DRAWING	
TITLE	DRAINAGE SYSTEM INSTL
SHEET 2	PART NO 145011



VIEW C

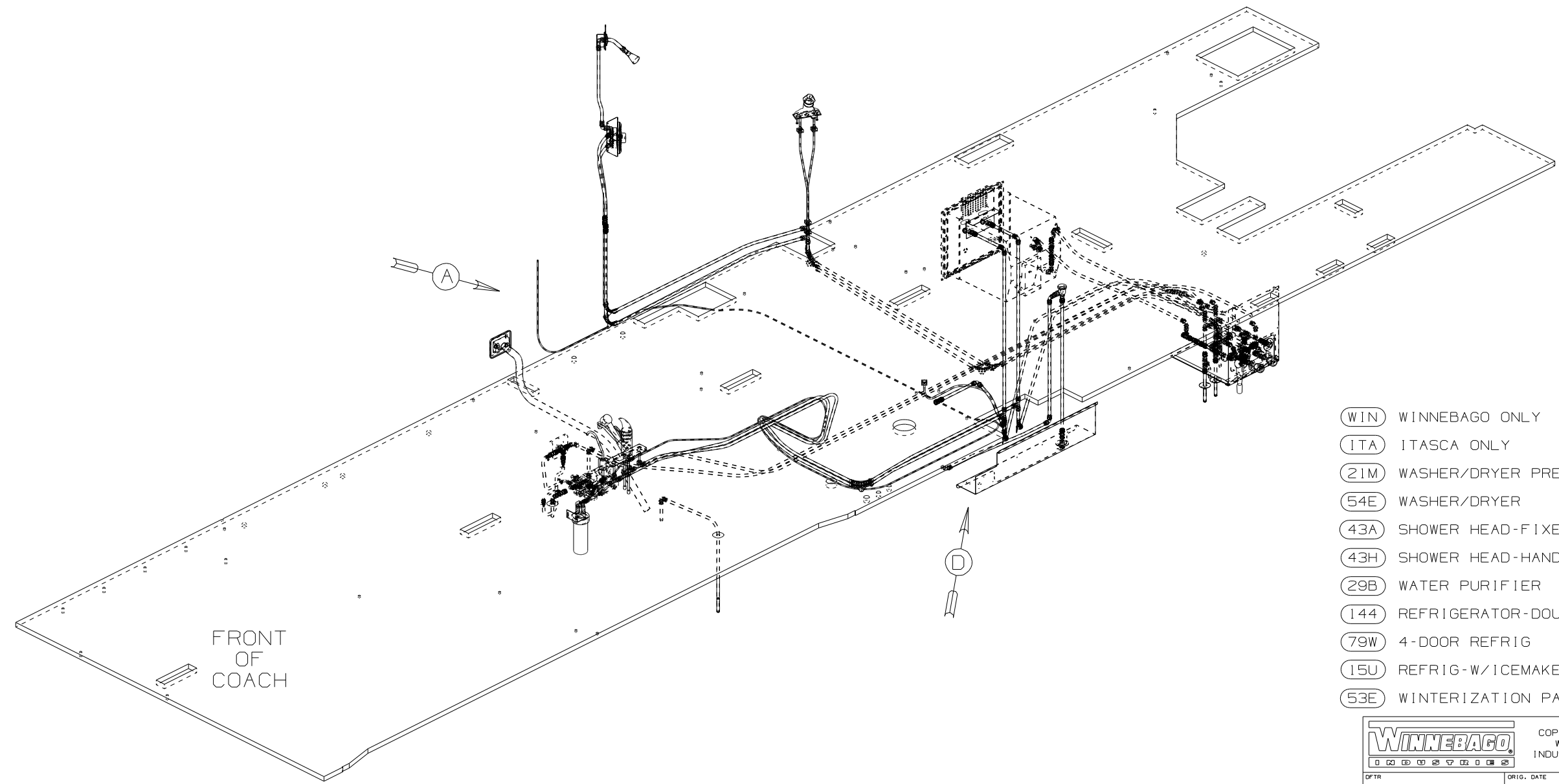


VIEW D

FIRST USED	04 P39W
TITLE	DO NOT SCALE DRAWING
SHEET 3	DRAINAGE SYSTEM INSTL
PART NO	145011

DWG NO	----
145016-01	(WIN)
145016-02	(ITA)

RELEASE	REV DATE	DWG NO
A		145016
REV ZONE	REVISION RECORD	DATE
		DFTR-0R16

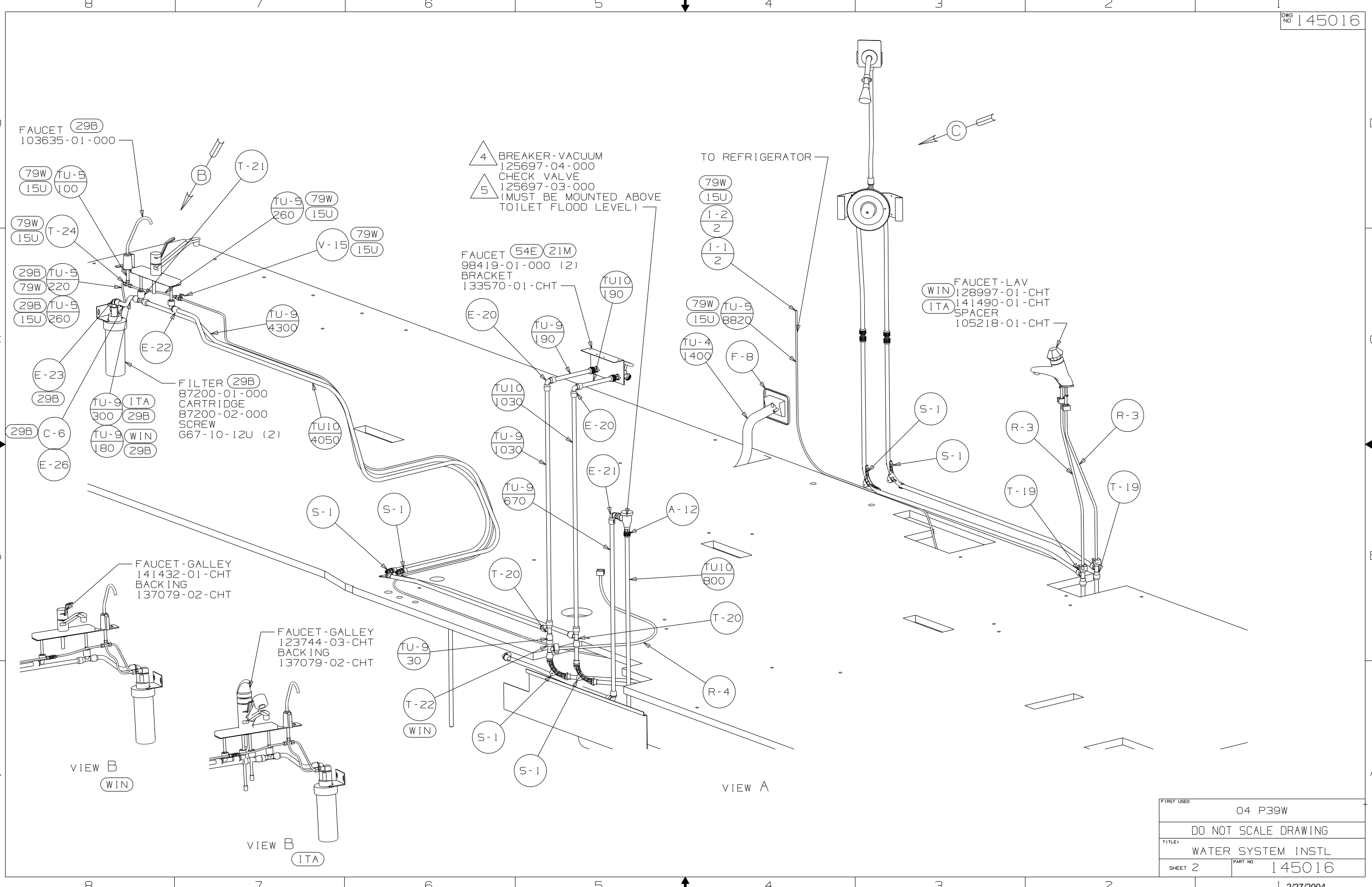


- (WIN) WINNEBAGO ONLY
- (ITA) ITASCA ONLY
- (2IM) WASHER/DRYER PREP
- (54E) WASHER/DRYER
- (43A) SHOWER HEAD-FIXED
- (43H) SHOWER HEAD-HAND HELD
- (29B) WATER PURIFIER
- (144) REFRIGERATOR-DOUBLE DOOR
- (79W) 4-DOOR REFRIG
- (15U) REFRIG-W/ICEMAKER
- (53E) WINTERIZATION PACKAGE

- NOTES:
1. PLASTIC FITTINGS TO BE SEALED WITH SEALANT 84456-01-000
 2. TUBING TO BE INSTALLED WITH SUFFICIENT SLOPE TO PROVIDE DRAINAGE TO NEAREST VALVE.
 3. ALL TUBING TO BE SECURED AT 1200 INTERVALS MAXIMUM WITH CLAMP 10495-01-000 OR CLIP 9151-01-000 AND SCREW G67-10-12B.
 4. FLUSHING SYSTEM REQUIRES 125697-06-000 INSTRUCTION SHEET.
 5. ADD TEFLON TAPE 10405-02-000 TO FITTING.
 6. ADD TEFLON TAPE 10405-01-000 TO FITTING.

WINNEBAGO		COPYRIGHT 2004 WINNEBAGO INDUSTRIES, INC.	
DFTR	ORIG. DATE	ALL DIMENSIONS ARE IN MILLIMETERS	
CHKR		FIRST USED	
P.E.		04 P39W	
M.E.		UNSPECIFIED TOLERANCES ARE:	
DSNR		MATERIAL:	
		WHOLE DIM (X)	: 7
		ONE-PLACE (X.X)	:
		TWO-PLACE (X.XX)	:
		ANGLE	:
THIRD ANGLE PROJECTION		DO NOT SCALE DRAWING	
TITLE: WATER SYSTEM INSTL			
SHEET 1 OF 5		PART NO 145016	
REF: 142339 2/27/2004			

(X-X)
FOR
WATER
CALLOUTS
SEE DWG NO.
116230-01-000



4 BREAKER-VACUUM
 125697-04-000
 CHECK VALVE
 125697-03-000
 (MUST BE MOUNTED ABOVE
 TOILET FLOOD LEVEL)

FAUCET (54E 21M)
 98419-01-000 (2)
 BRACKET
 133570-01-CHT

FILTER (29B)
 87200-01-000
 CARTRIDGE
 87200-02-000
 SCREW
 667-10-12U (2)

FAUCET-LAV
 (WIN) 128997-01-CHT
 (ITA) 141490-01-CHT
 SPACER
 105218-01-CHT

FAUCET-GALLEY
 141432-01-CHT
 BACKING
 137079-02-CHT

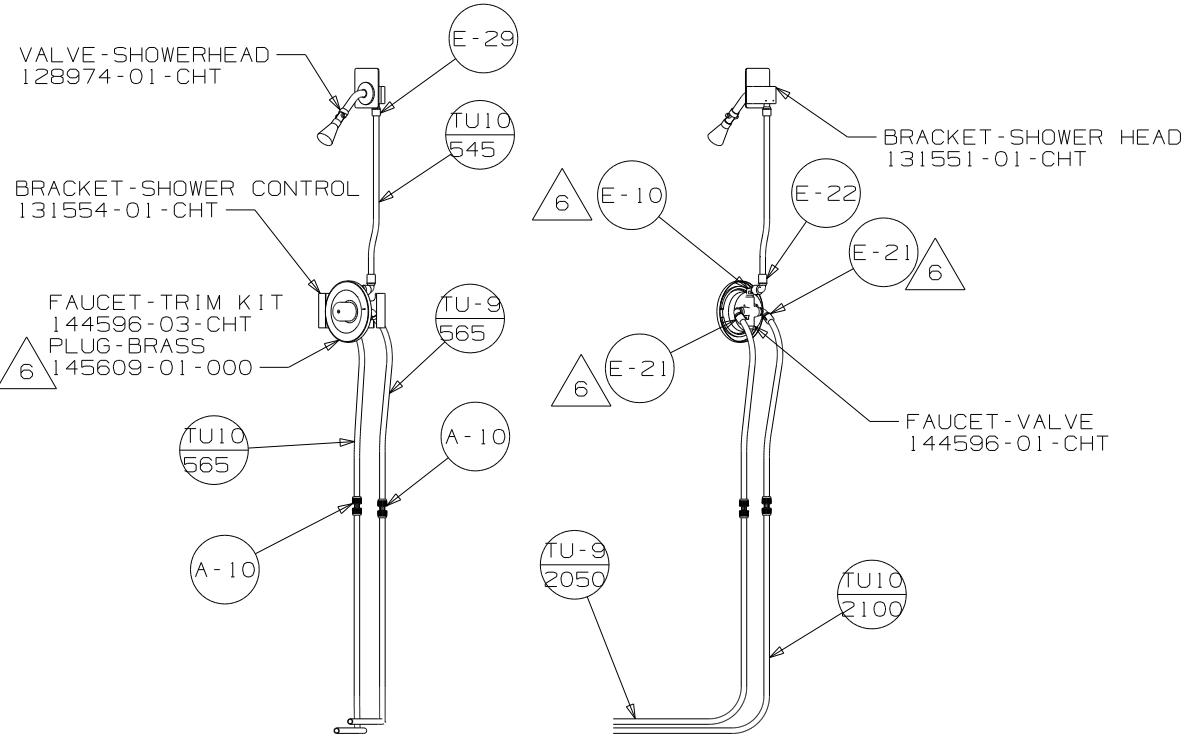
FAUCET-GALLEY
 123744-03-CHT
 BACKING
 137079-02-CHT

VIEW B
 (WIN)

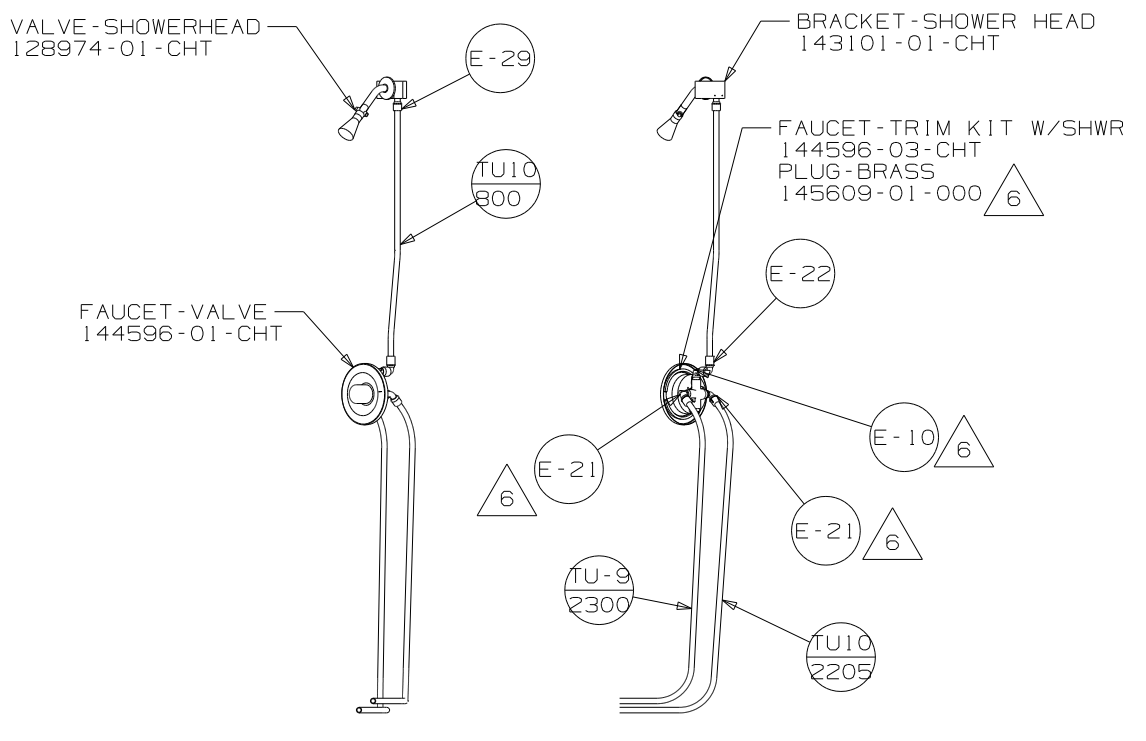
VIEW B
 (ITA)

VIEW A

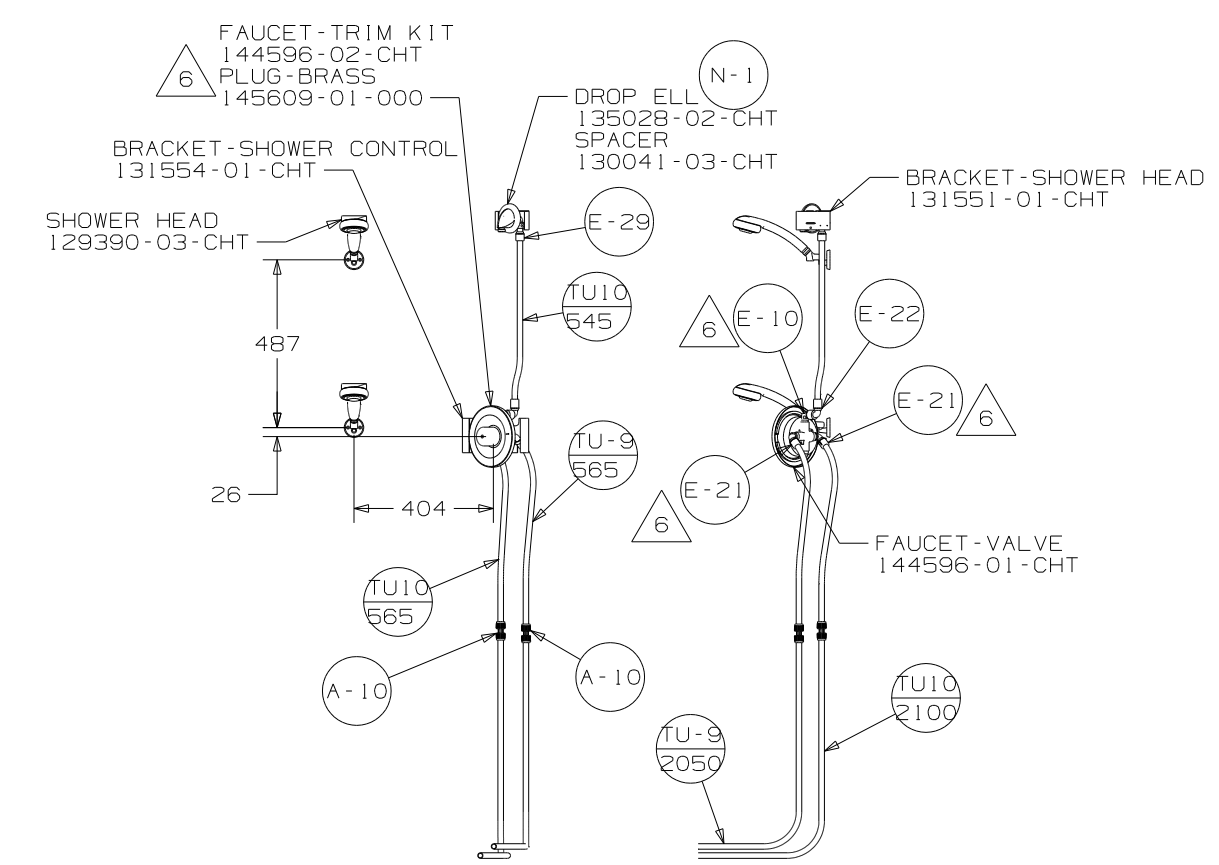
FIRST USED	04 P39W
TITLE	DO NOT SCALE DRAWING
SHEET 2	PART NO 145016
1 2/27/2004	



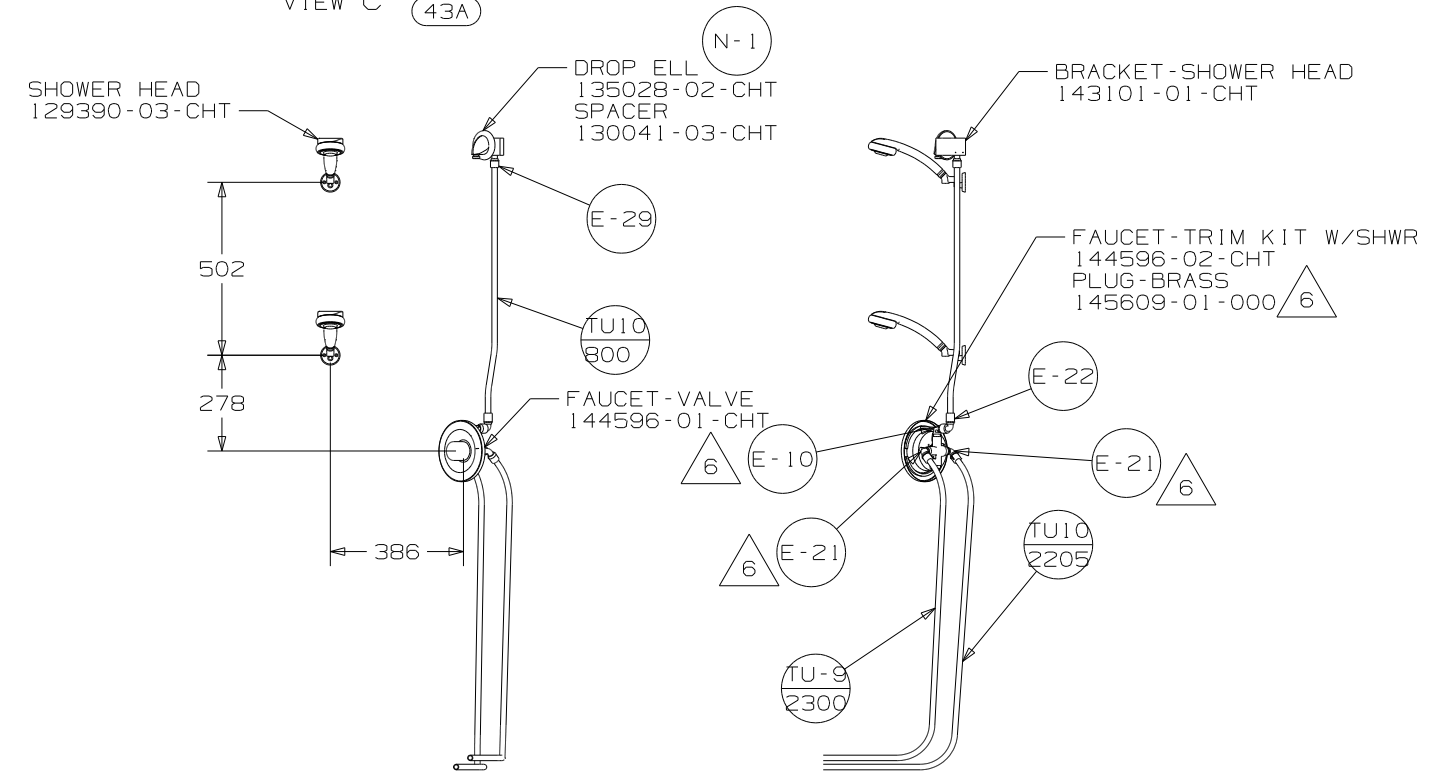
VIEW C WIN 43A



VIEW C ITA 43A



VIEW C WIN 43H



VIEW C ITA 43H

FIRST USED	04 P39W
TITLE	DO NOT SCALE DRAWING
SHEET 3	PART NO 145016

TO FLUSHING SYSTEM

TO HOLDING TANK

PANEL-COVER, DRAIN
142093-02-CHT
SCREW
G39-10-10T (4)

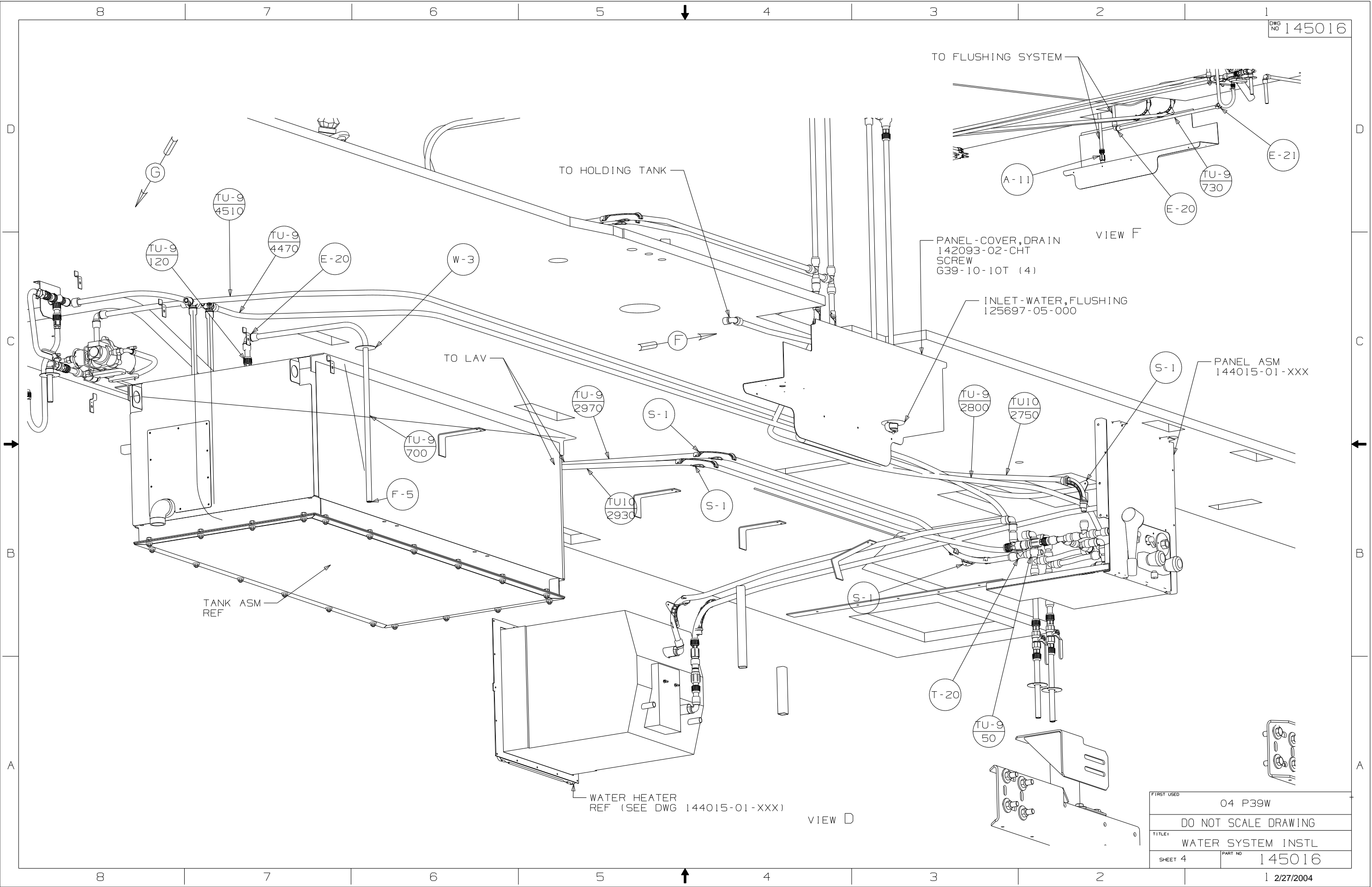
INLET-WATER, FLUSHING
125697-05-000

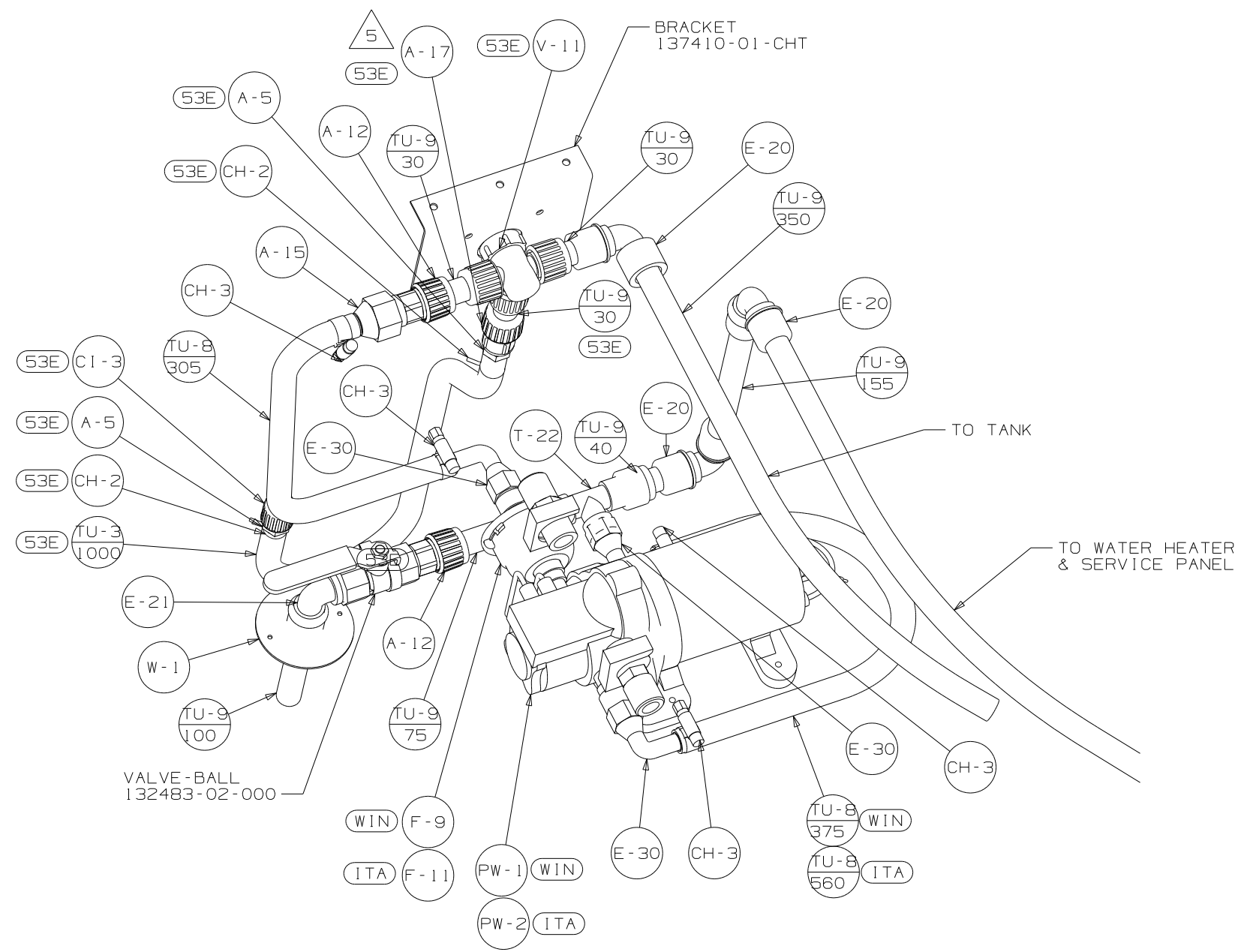
PANEL ASM
144015-01-XXX

WATER HEATER
REF (SEE DWG 144015-01-XXX)

TANK ASM
REF

FIRST USED	04 P39W
TITLE	DO NOT SCALE DRAWING
SHEET 4	PART NO 145016





VIEW G

FIRST USED	04 P39W
TITLE	DO NOT SCALE DRAWING
SHEET 5	PART NO 145016
	1 2/27/2004