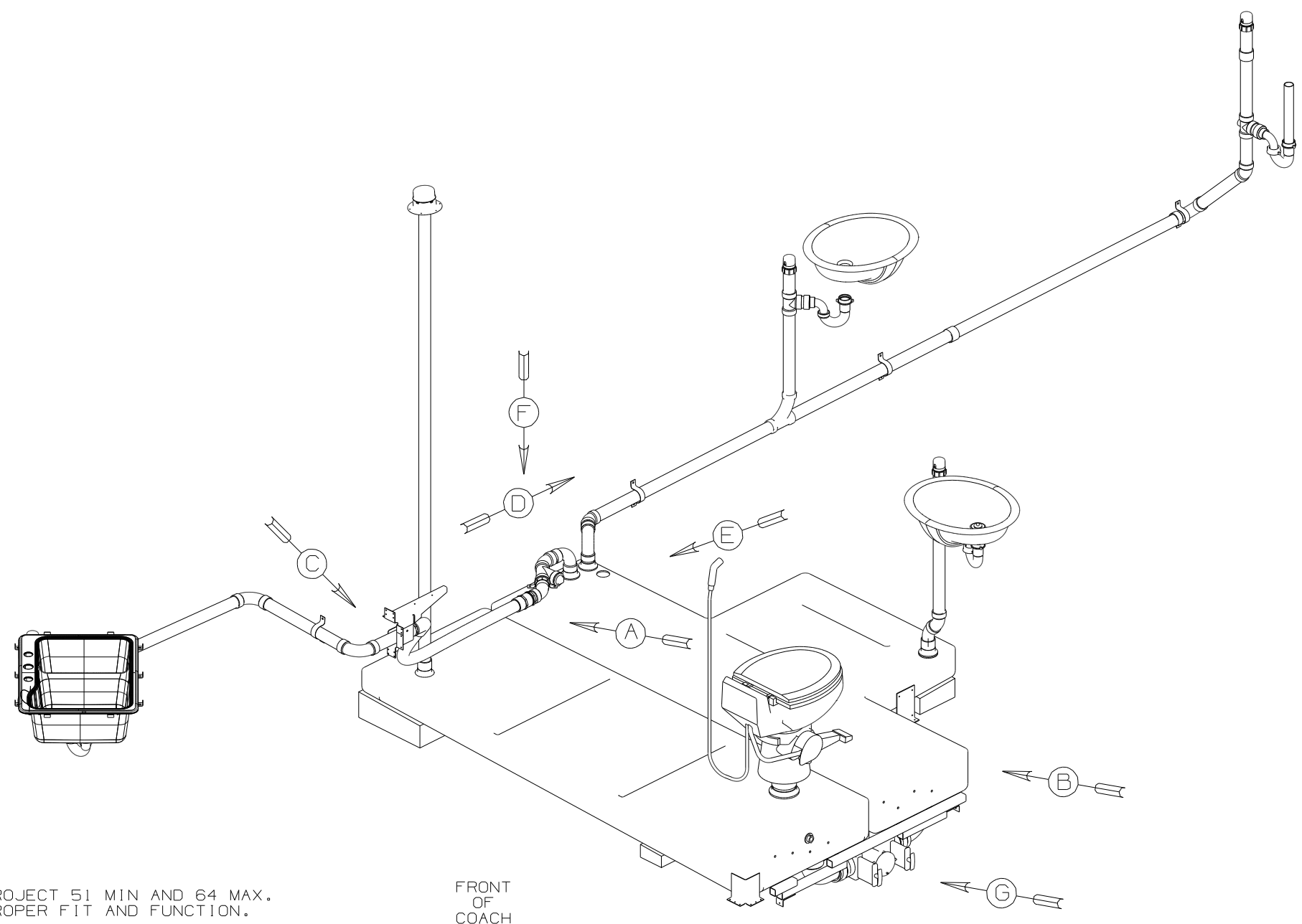


DWG NO	----
147404-01	(WIN)
147404-02	(ITA)

RELEASE	REV DATE	DWG NO	147404
REV ZONE	REVISION RECORD	DATE	DFTR-ORIG



- (1FS) F'LINER (CFE)
- (1F1) F'LINER (C7)
- (1PP) WORKHORSE CHASSIS
- (WIN) WINNEBAGO ONLY
- (ITA) ITASCA ONLY
- (1B1) CODES/STANDARDS-USA
- (265) CODES/STDS-CSA/CMVSS
- (54E) WASHER/DRYER
- (21M) WASHER/DRYER PREP
- (43M) TOILET PORCELAIN-ROUND ELONGATED
- (43Q) TOILET-PORCELAIN
- (54Z) FLOOR/BATH-VINYL TILE
- (43W) CABINET-LAVATORY
- (43V) CABINET-CHEST OF DRAWERS

- 8 VENT PIPE MUST PROJECT 51 MIN AND 64 MAX. ABOVE ROOF FOR PROPER FIT AND FUNCTION.
7. SEE DWG 61607-01-000 FOR INSTL OF GROMMETS.
6. SEAL ALL AROUND SHOWER WITH SILICONE.
- 5 SECURE VENT TUBES TO FLOOR WITH BRACKET.
4. ALL EXTERIOR OPENINGS AROUND PIPE TO BE SEALED WITH 110744-01-000.
3. ALL PIPE AND FITTINGS TO BE ASSEMBLED WITH SOLVENT 4020-01-000 (US), 4020-02-000 (CAN).
2. SLOPE OF TRAP ARM MUST BE 6 PER 305 MM.
1. SLOPE OF HORIZONTAL PIPING TO BE 6 PER 305 mm.

FRONT OF COACH

NOTES:

(X-X)
FOR DRAINAGE CALLOUTS SEE DWG NO 116229-01-000

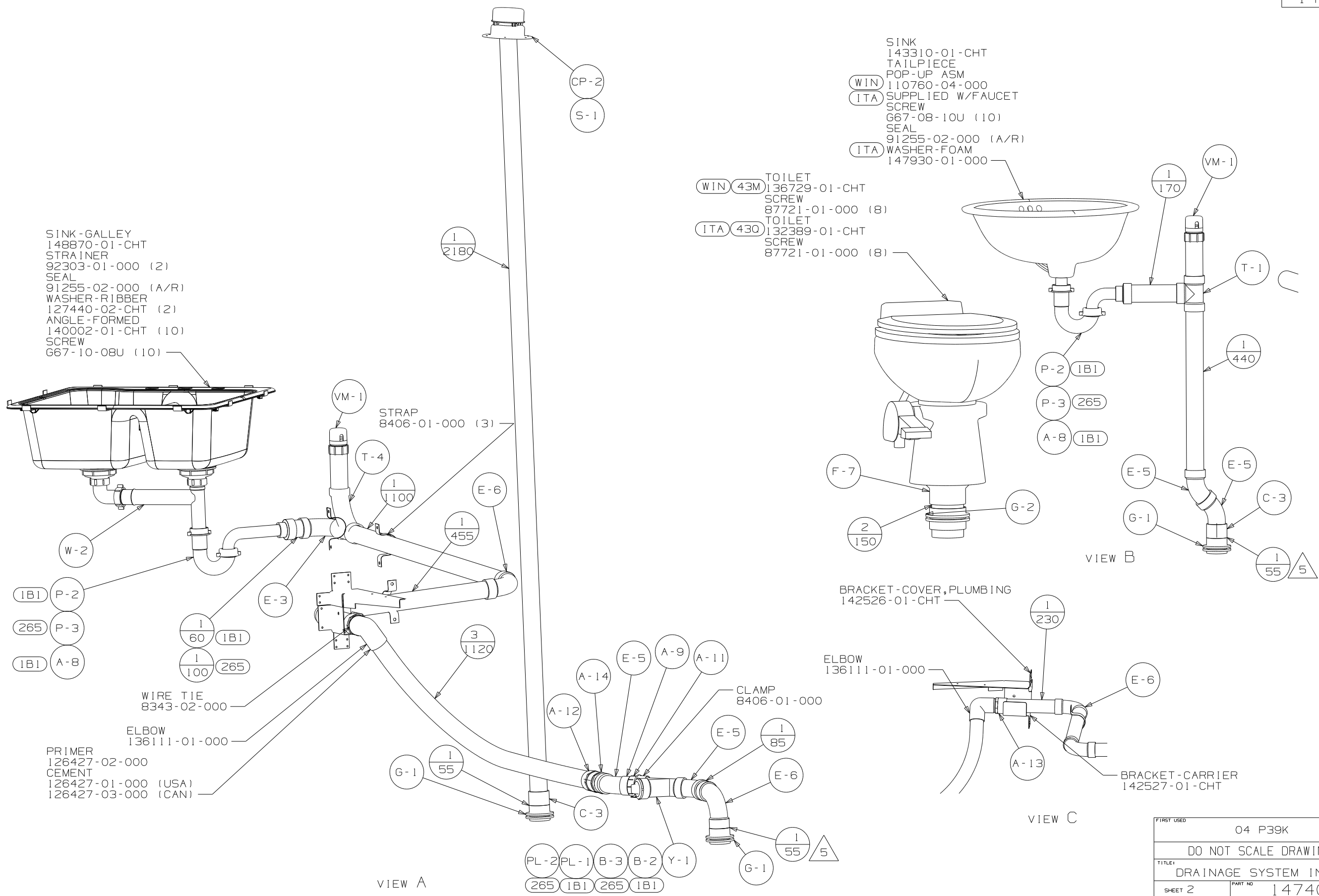
WINNEBAGO		COPYRIGHT 2004 WINNEBAGO INDUSTRIES, INC.	
DFTR	ORIG. DATE	ALL DIMENSIONS ARE IN MILLIMETERS	
CHKR		FIRST USED	
P.E.		04 P39K	
M.E.		UNSPECIFIED TOLERANCES ARE:	
DSNR		MATERIAL:	
		WHOLE DIM (X)	: 3
		ONE-PLACE (X.X)	:
		TWO-PLACE (X.XX)	:
		ANGLE	:
THIRD ANGLE PROJECTION		DO NOT SCALE DRAWING	
TITLE: DRAINAGE SYSTEM INSTL			
SHEET 1 OF 4		PART NO 147404	

- SINK
143310-01-CHT
TAILPIECE
POP-UP ASM
110760-04-000
SCREW
G67-08-10U (10)
SEAL
91255-02-000 (A/R)
WASHER-FOAM
147930-01-000

- TOILET
136729-01-CHT
SCREW
87721-01-000 (8)
TOILET
132389-01-CHT
SCREW
87721-01-000 (8)

- SINK-GALLEY
148870-01-CHT
STRAINER
92303-01-000 (2)
SEAL
91255-02-000 (A/R)
WASHER-RIBBER
127440-02-CHT (2)
ANGLE-FORMED
140002-01-CHT (10)
SCREW
G67-10-08U (10)

- PRIMER
126427-02-000
CEMENT
126427-01-000 (USA)
126427-03-000 (CAN)



VIEW A

VIEW B

VIEW C

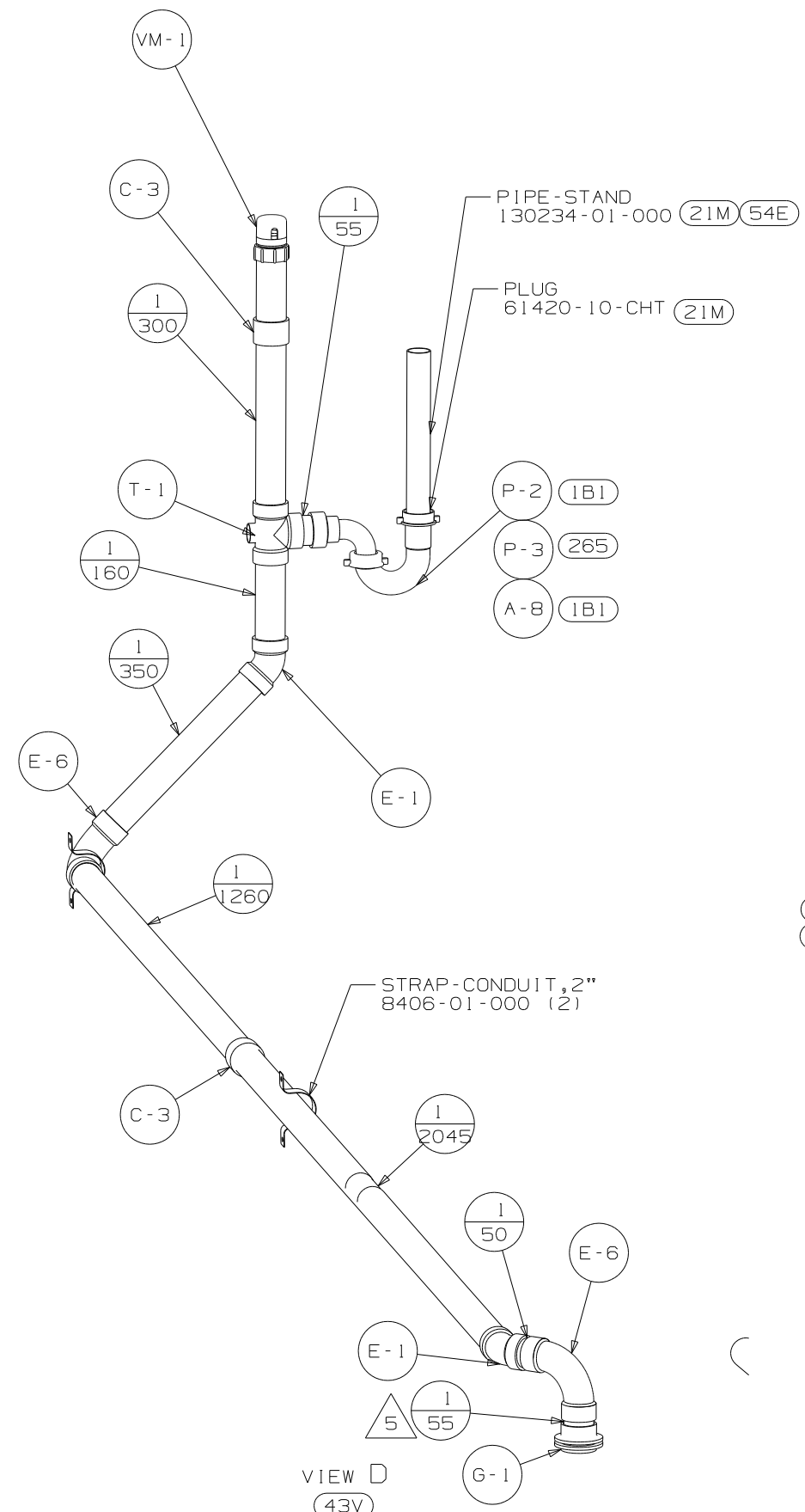
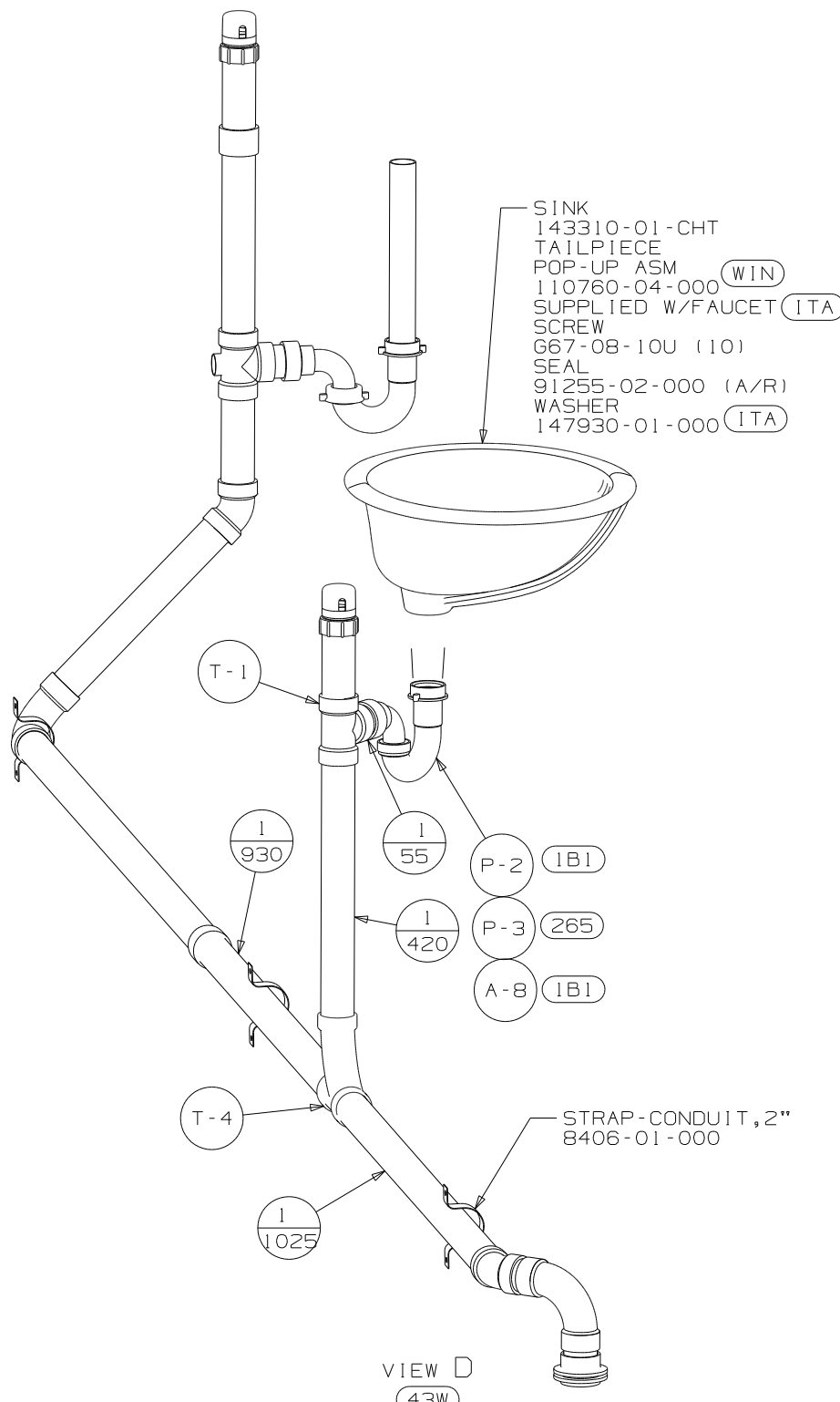
BRACKET-COVER, PLUMBING
142526-01-CHT

ELBOW
136111-01-000

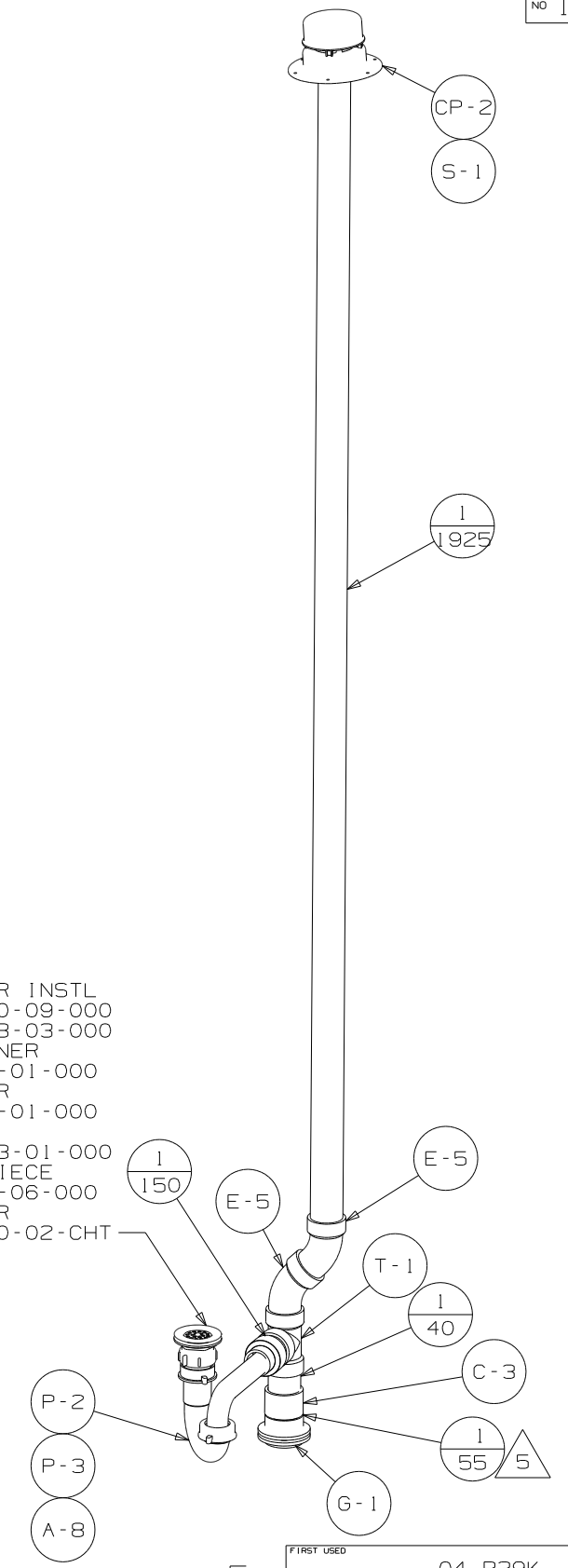
CLAMP
8406-01-000

BRACKET-CARRIER
142527-01-CHT

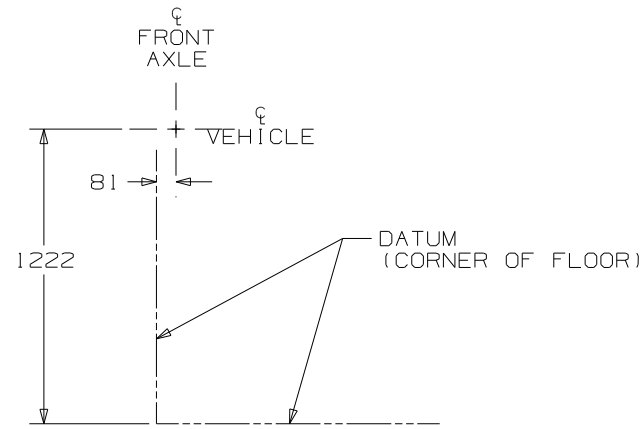
FIRST USED	04 P39K
DO NOT SCALE DRAWING	
TITLE	DRAINAGE SYSTEM INSTL
SHEET 2	PART NO 147404



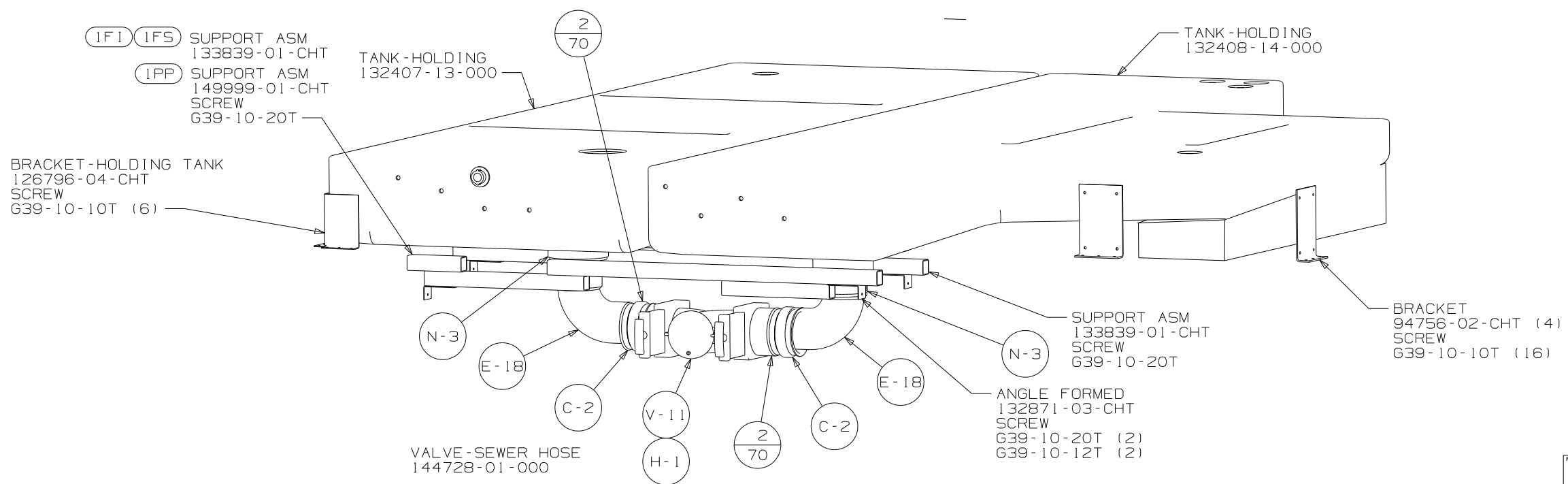
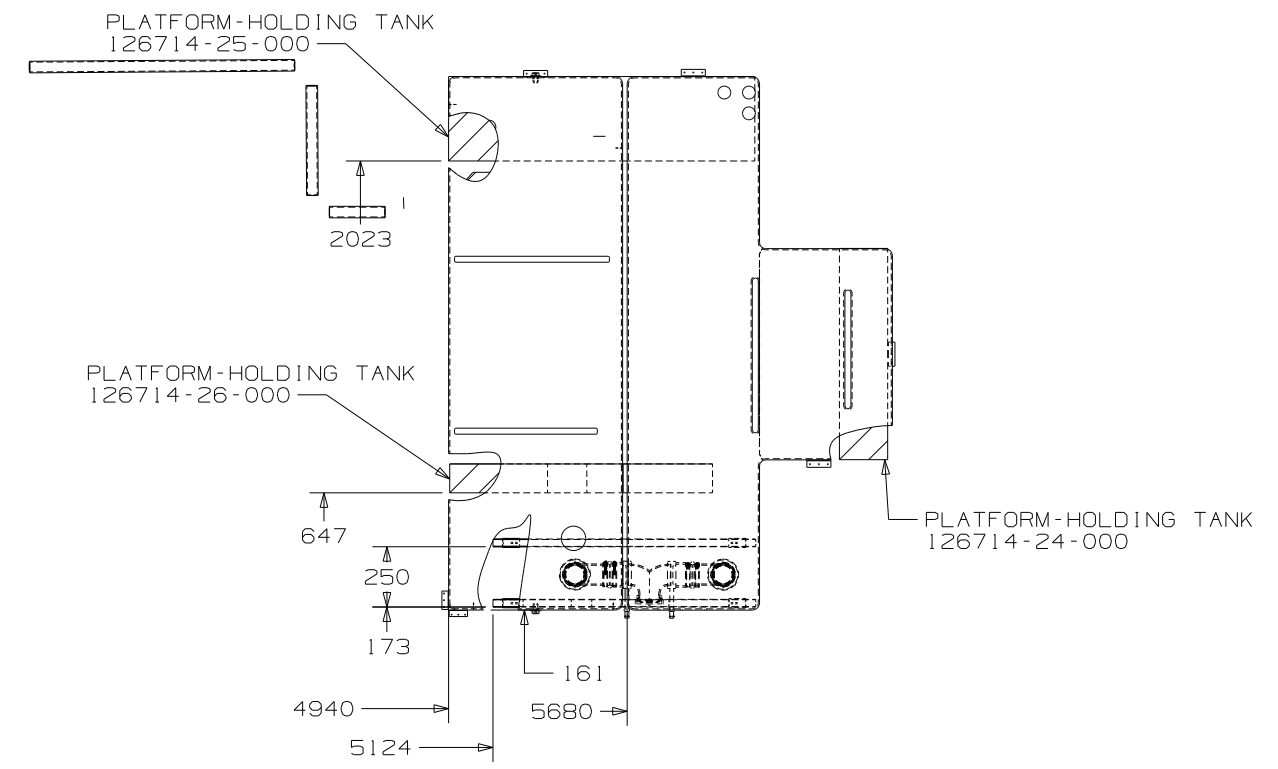
- (WIN) SHOWER INSTL
131620-09-000
- (ITA) 142018-03-000
- STRAINER
66440-01-000
- SEALER
69640-01-000
- NUT
130403-01-000
- TAILPIECE
11069-06-000
- WASHER
127440-02-CHT



FIRST USED	04 P39K
DO NOT SCALE DRAWING	
TITLE	DRAINAGE SYSTEM INSTL
SHEET 3	PART NO 147404



VIEW F

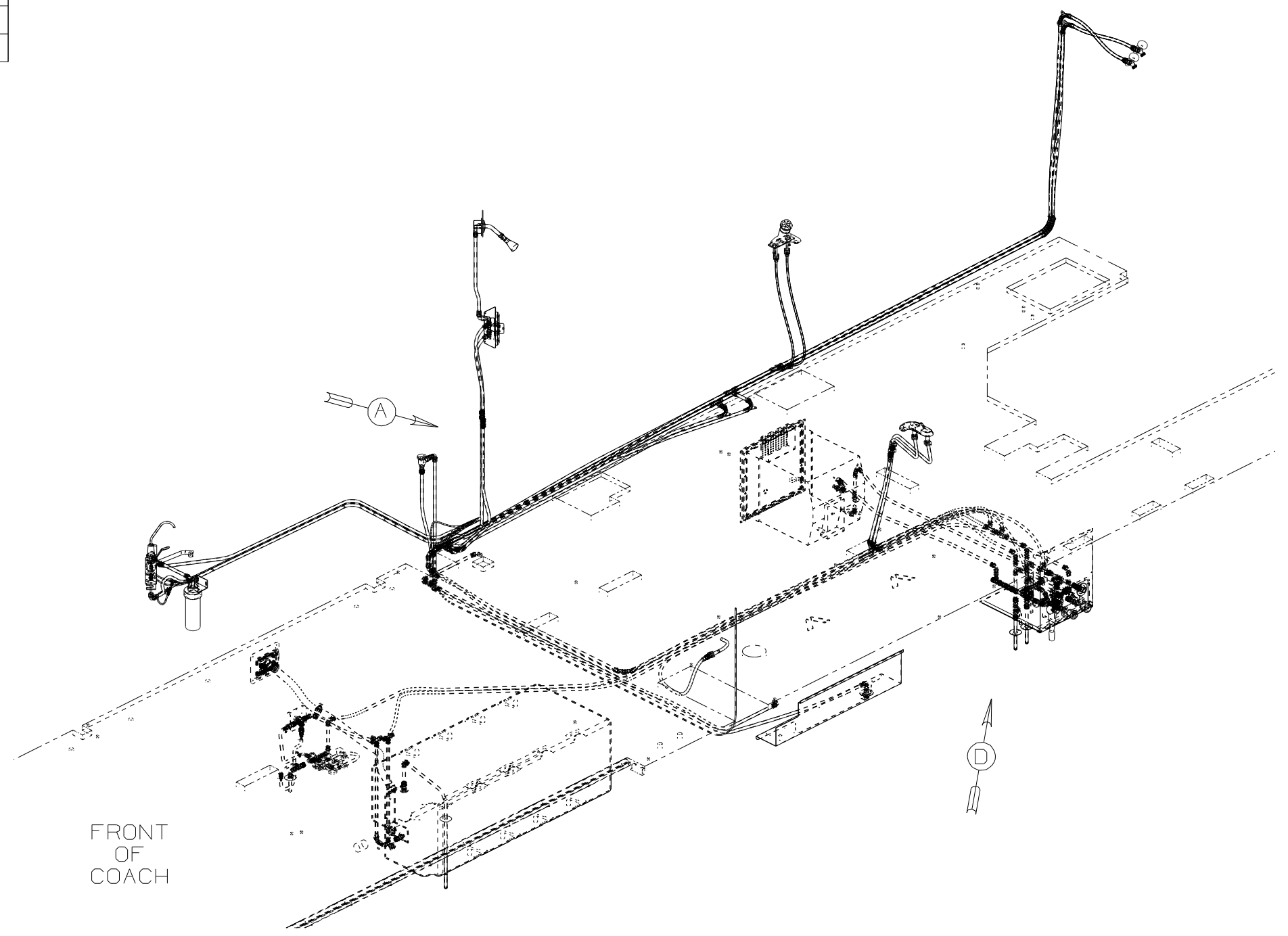


VIEW G

FIRST USED	04 P39K
TITLE	DO NOT SCALE DRAWING
	DRAINAGE SYSTEM INSTL
SHEET 4	PART NO 147404

DWG NO	----
147285-01	(WIN)
147285-02	(ITA)

RELEASE	REV DATE	DWG NO
A		147285
REV ZONE	REVISION RECORD	DATE DFR-ORIG

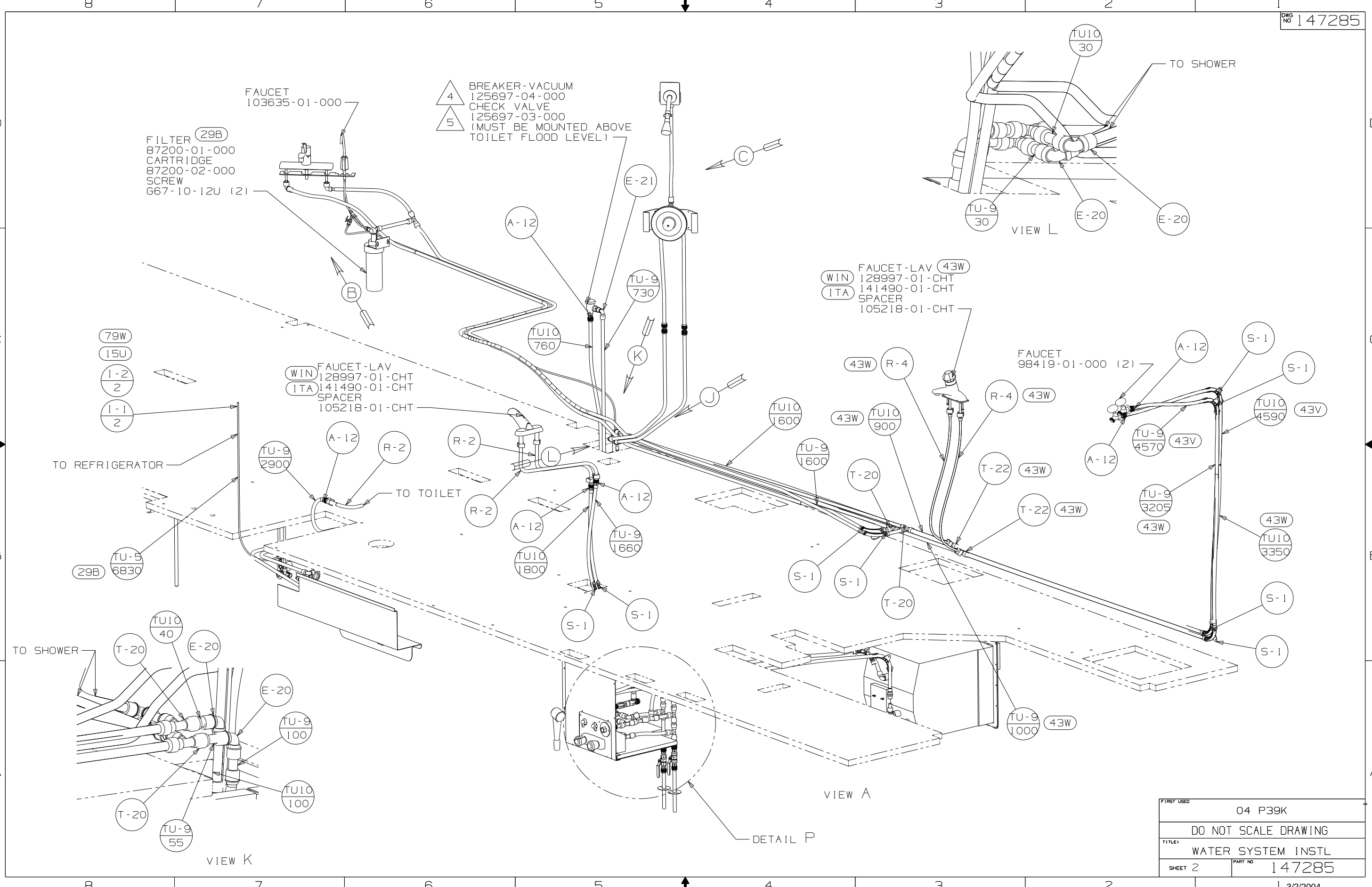


- (43V) NON VANITY
- (43W) BEDROOM VANITY
- (WIN) WINNEBAGO ONLY
- (ITA) ITASCA ONLY
- (2IM) WASHER/DRYER PREP
- (54E) WASHER/DRYER
- (43A) SHOWER HEAD-FIXED
- (43H) SHOWER HEAD-HAND HELD
- (29B) WATER PURIFIER
- (144) REFRIGERATOR-DOUBLE DOOR
- (79W) 4-DOOR REFRIG
- (15U) REFRIG-W/ICEMAKER
- (53E) WINTERIZATION PACKAGE

- NOTES:
1. PLASTIC FITTINGS TO BE SEALED WITH SEALANT 84456-01-000
 2. TUBING TO BE INSTALLED WITH SUFFICIENT SLOPE TO PROVIDE DRAINAGE TO NEAREST VALVE.
 3. ALL TUBING TO BE SECURED AT 1200 INTERVALS MAXIMUM WITH CLAMP 10495-01-000 OR CLIP 9151-01-000 AND SCREW G67-10-12B.
 4. FLUSHING SYSTEM REQUIRES 125697-06-000 INSTRUCTION SHEET.
 5. ADD TEFLON TAPE 10405-02-000 TO FITTING.
 6. ADD TEFLON TAPE 10405-01-000 TO FITTING.

(X-X)
FOR WATER CALLOUTS SEE DWG NO. 116230-01-000

WINNEBAGO		COPYRIGHT 2004 WINNEBAGO INDUSTRIES, INC.	
DFTR	ORIG. DATE	ALL DIMENSIONS ARE IN MILLIMETERS	
CHKR			
P.E.			
M.E.	FIRST USED	04 P39K	
DSNR			
UNSPECIFIED TOLERANCES ARE:		MATERIAL:	
WHOLE DIM (X)	: 7		
ONE-PLACE (X.X)	:		
TWO-PLACE (X.XX)	:		
ANGLE	:		
THIRD ANGLE PROJECTION			
DO NOT SCALE DRAWING			
TITLE: WATER SYSTEM INSTL			
SHEET 1 OF 7		PART NO 147285	



FAUCET
103635-01-000

FILTER (29B)
87200-01-000
CARTRIDGE
87200-02-000
SCREW
667-10-12U (2)

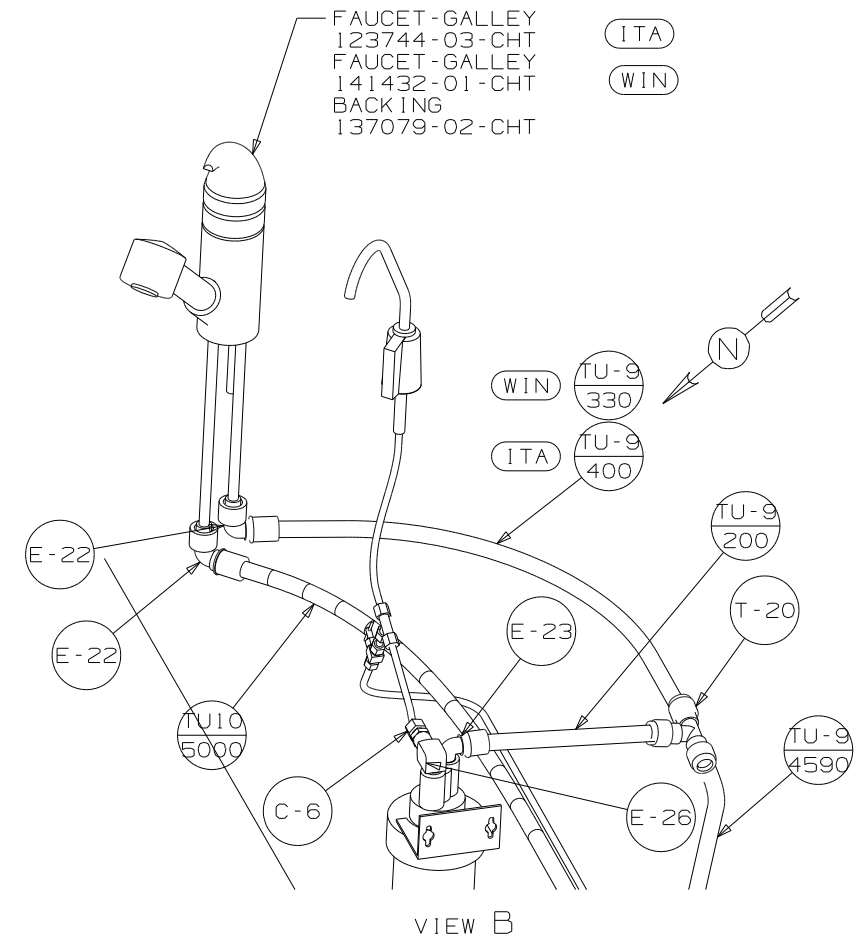
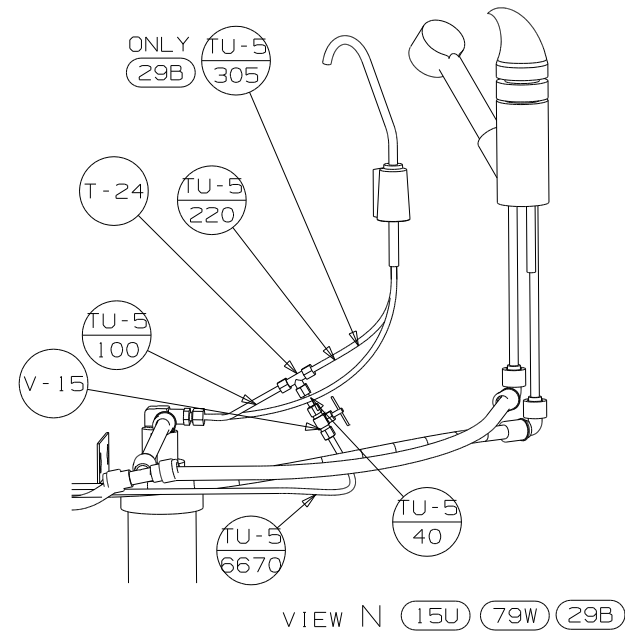
4 BREAKER-VACUUM
125697-04-000
CHECK VALVE
5 125697-03-000
(MUST BE MOUNTED ABOVE
TOILET FLOOD LEVEL)

FAUCET-LAV (43W)
WIN 128997-01-CHT
ITA 141490-01-CHT
SPACER
105218-01-CHT

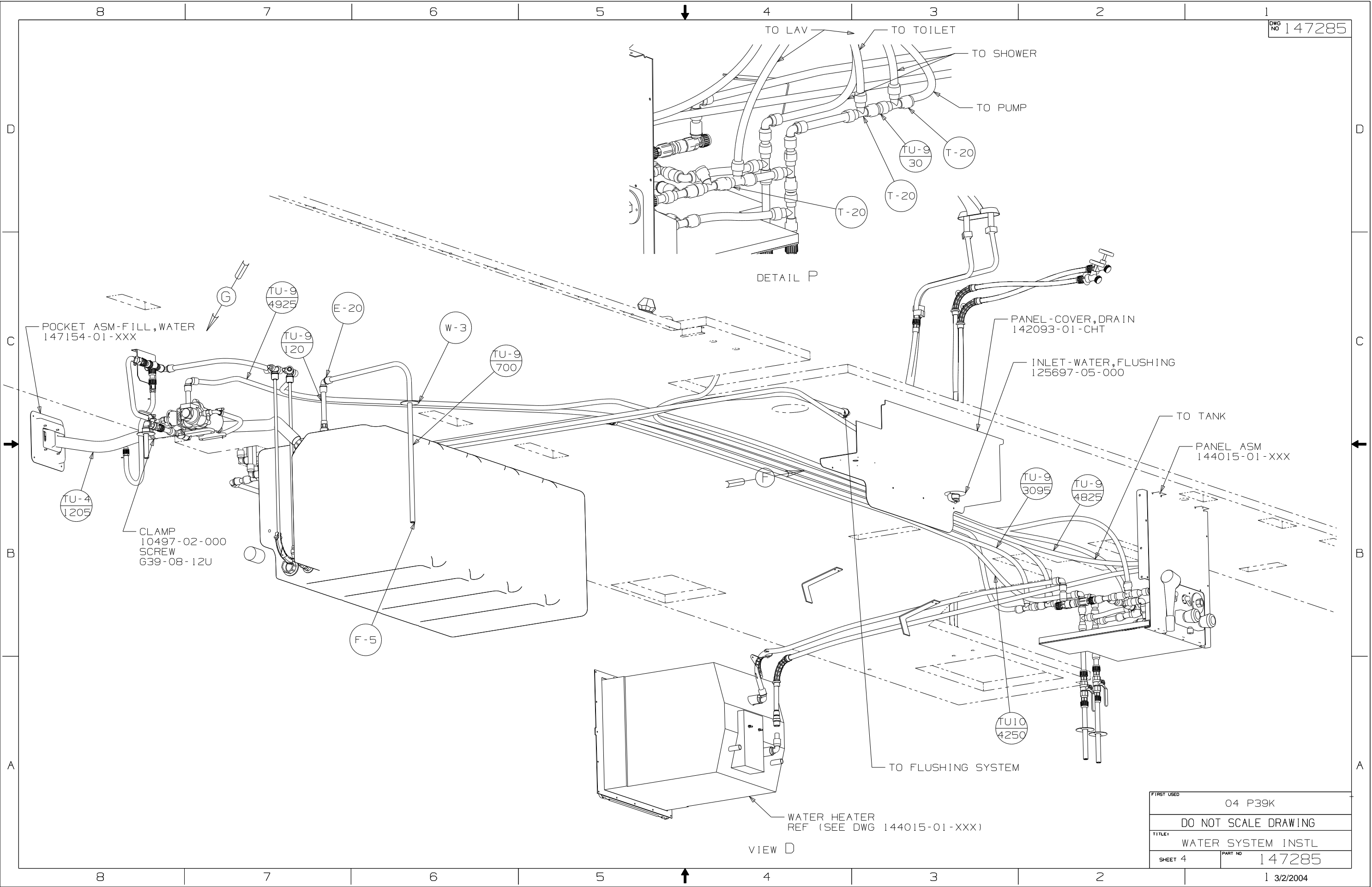
FAUCET-LAV
WIN 128997-01-CHT
ITA 141490-01-CHT
SPACER
105218-01-CHT

FAUCET
98419-01-000 (2)

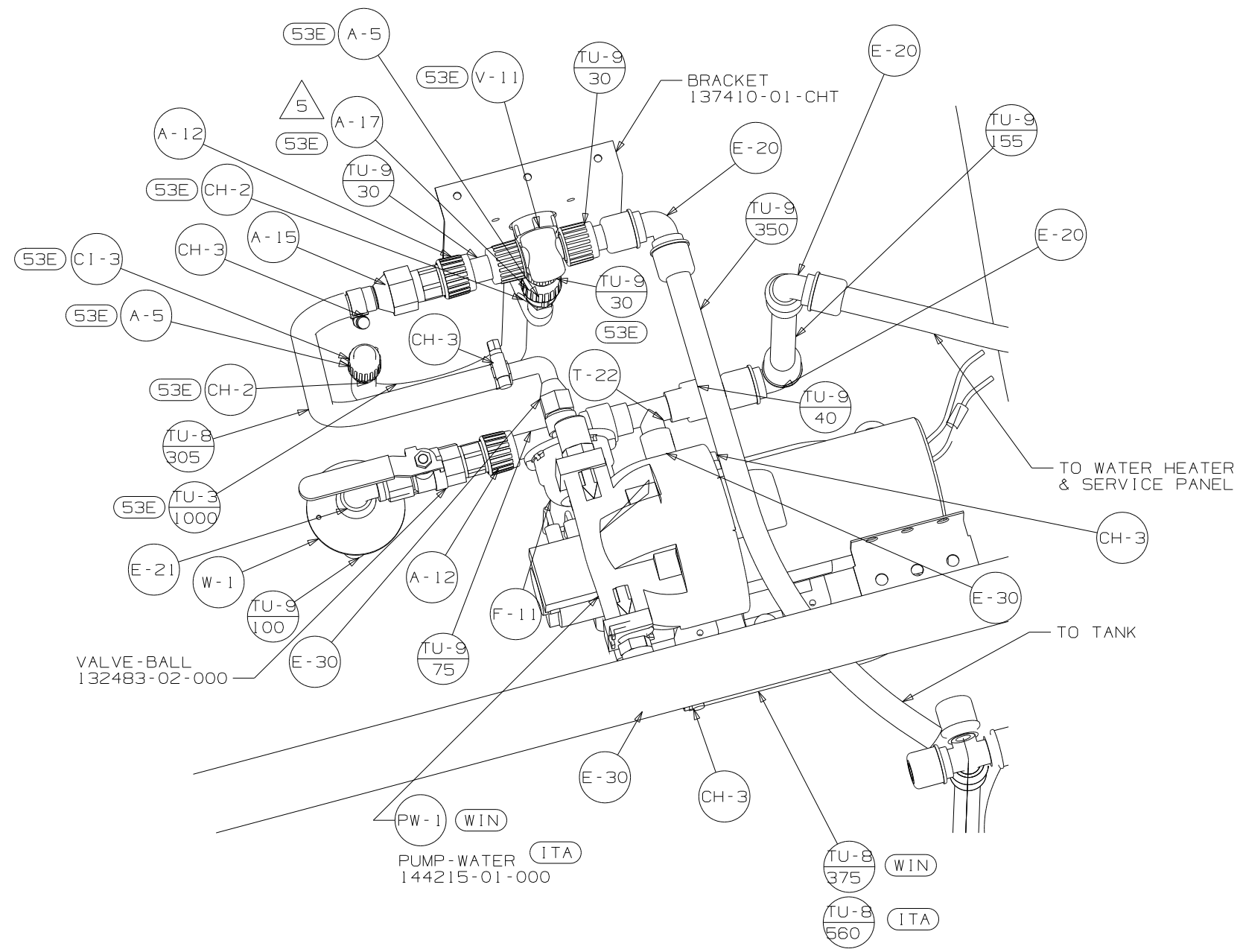
FIRST USED	04 P39K
TITLE	DO NOT SCALE DRAWING
SHEET 2	PART NO 147285
	1 3/2/2004



FIRST USED	04 P39K
TITLE	DO NOT SCALE DRAWING
SHEET 3	PART NO 147285
1 3/2/2004	

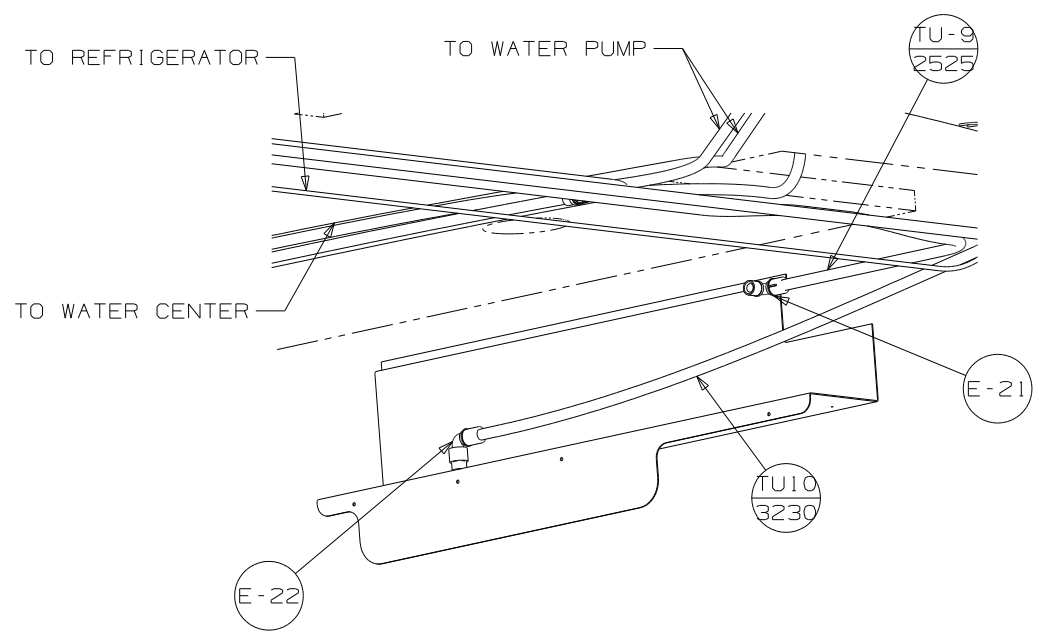


FIRST USED	04 P39K
DO NOT SCALE DRAWING	
TITLE	WATER SYSTEM INSTL
SHEET 4	PART NO 147285

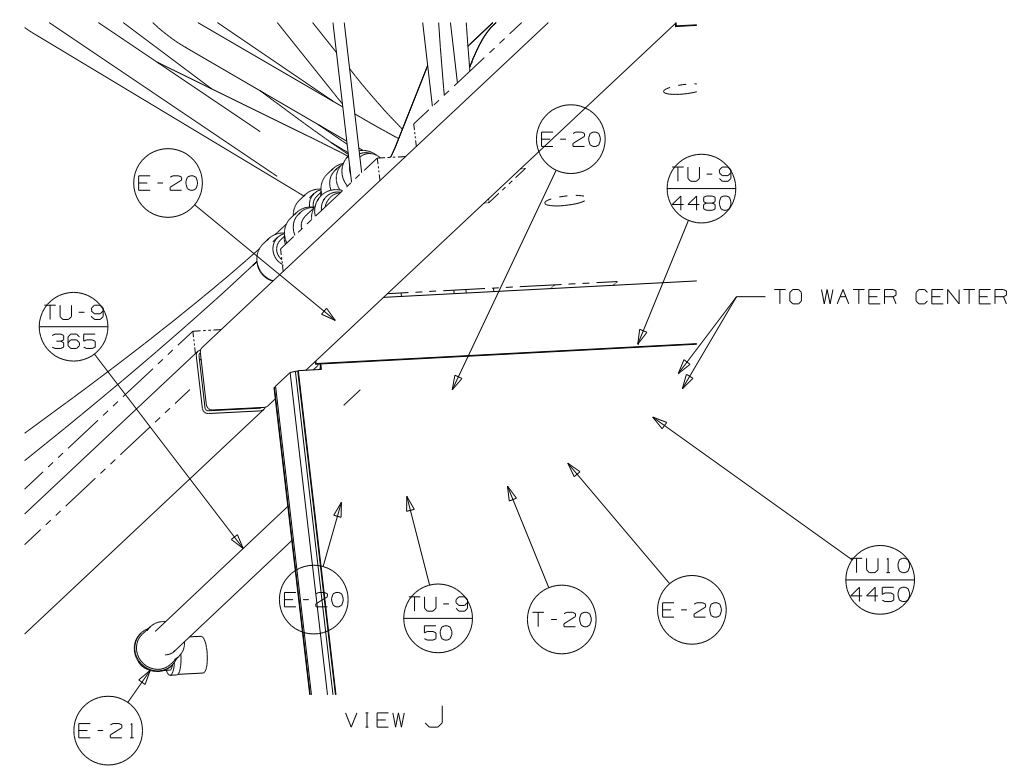


VIEW G

FIRST USED	04 P39K
TITLE	DO NOT SCALE DRAWING
SHEET 5	WATER SYSTEM INSTL
PART NO	147285
1 3/2/2004	

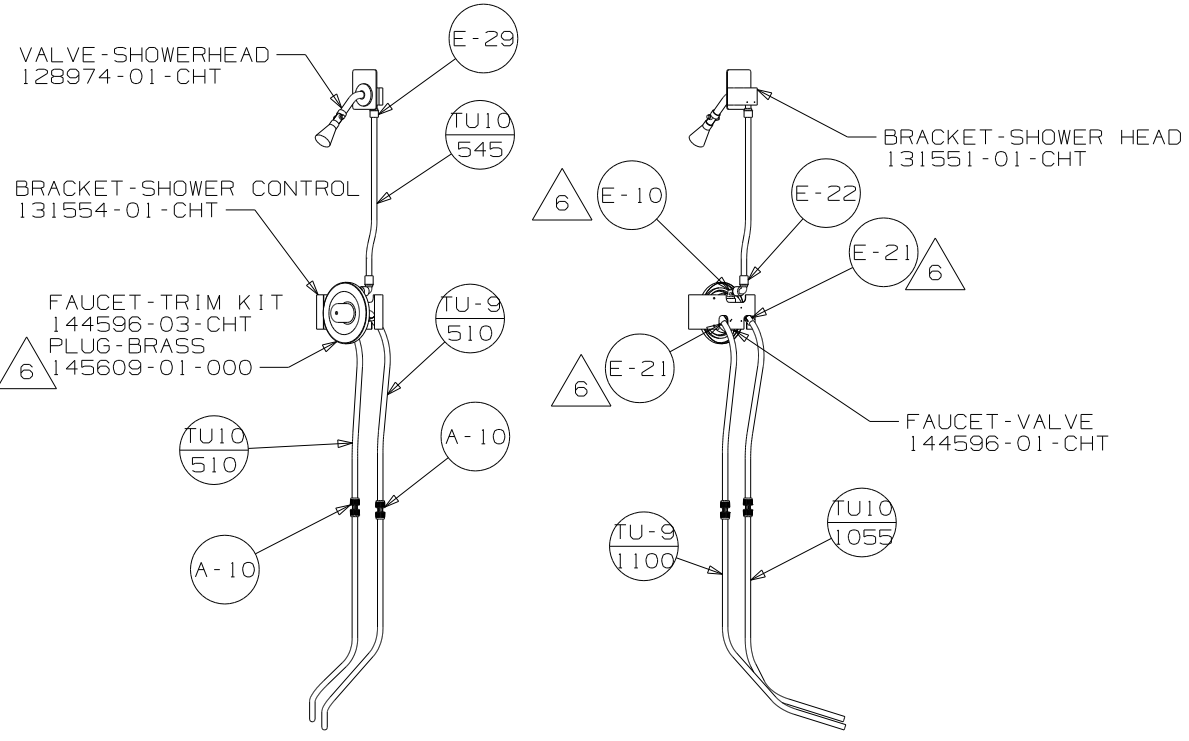


VIEW F

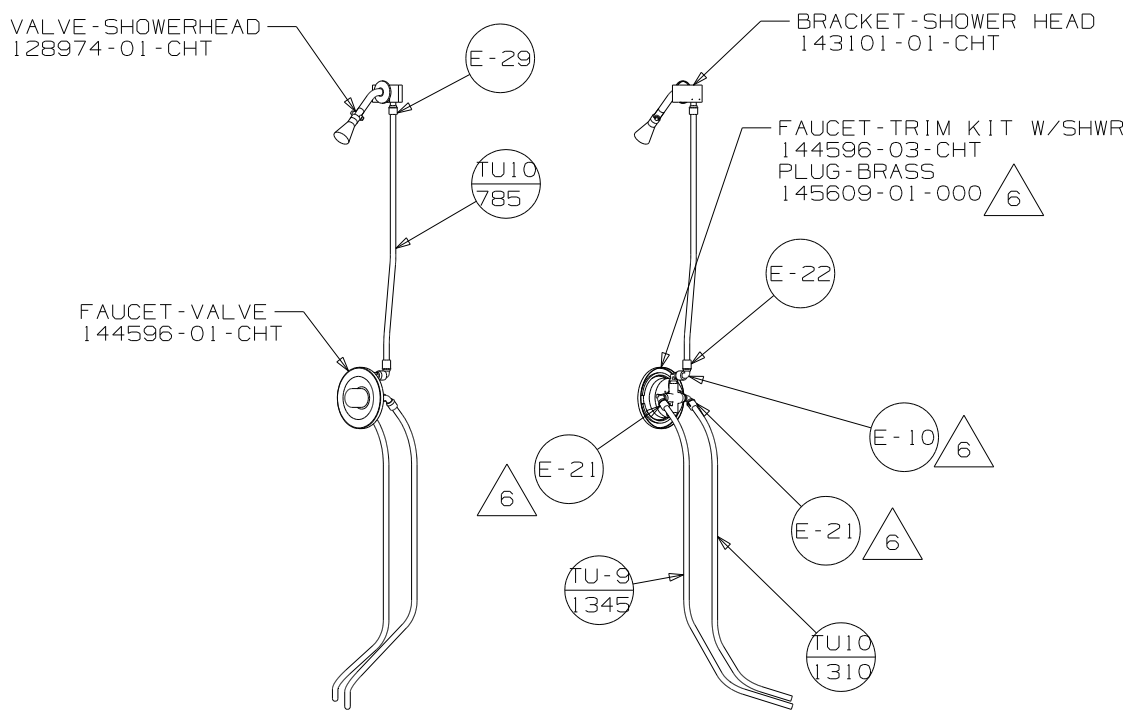


VIEW J

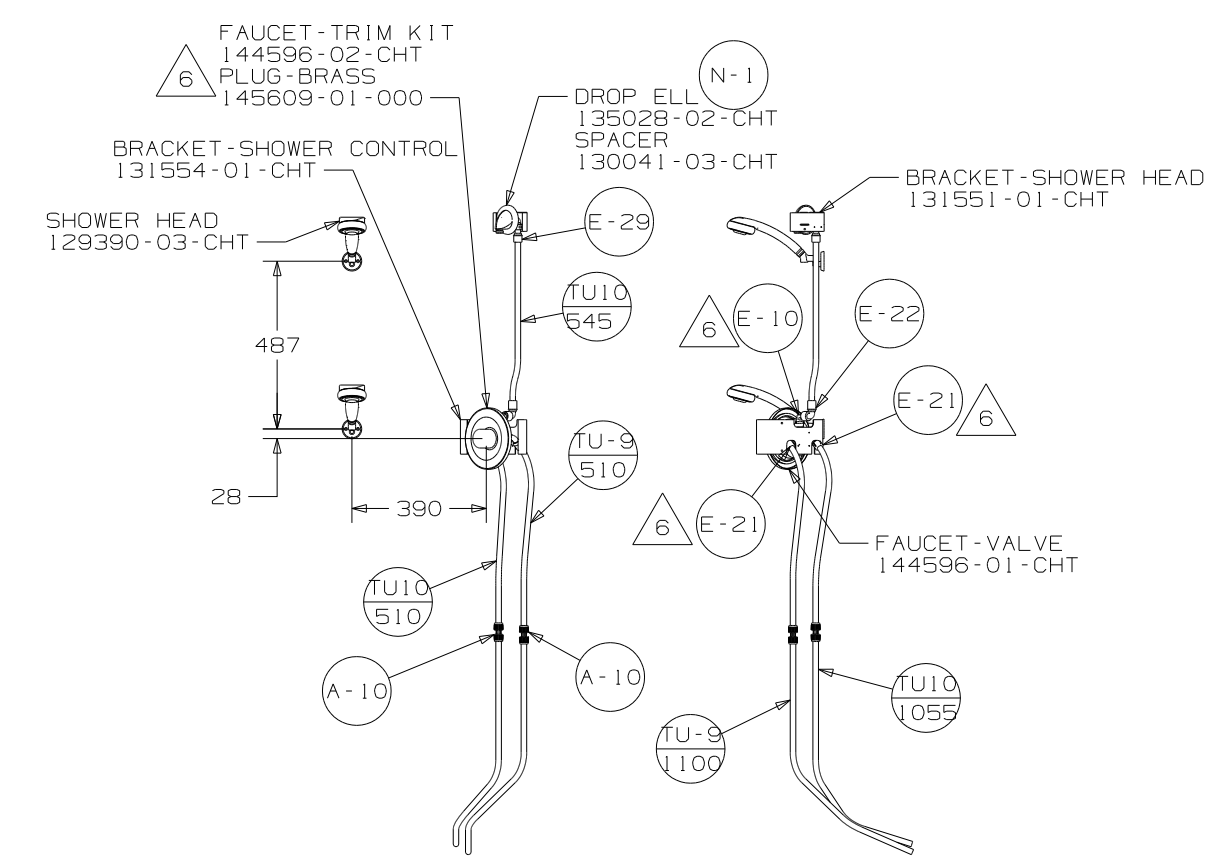
FIRST USED	04 P39K
TITLE	DO NOT SCALE DRAWING
SHEET 6	PART NO 147285
	1 3/2/2004



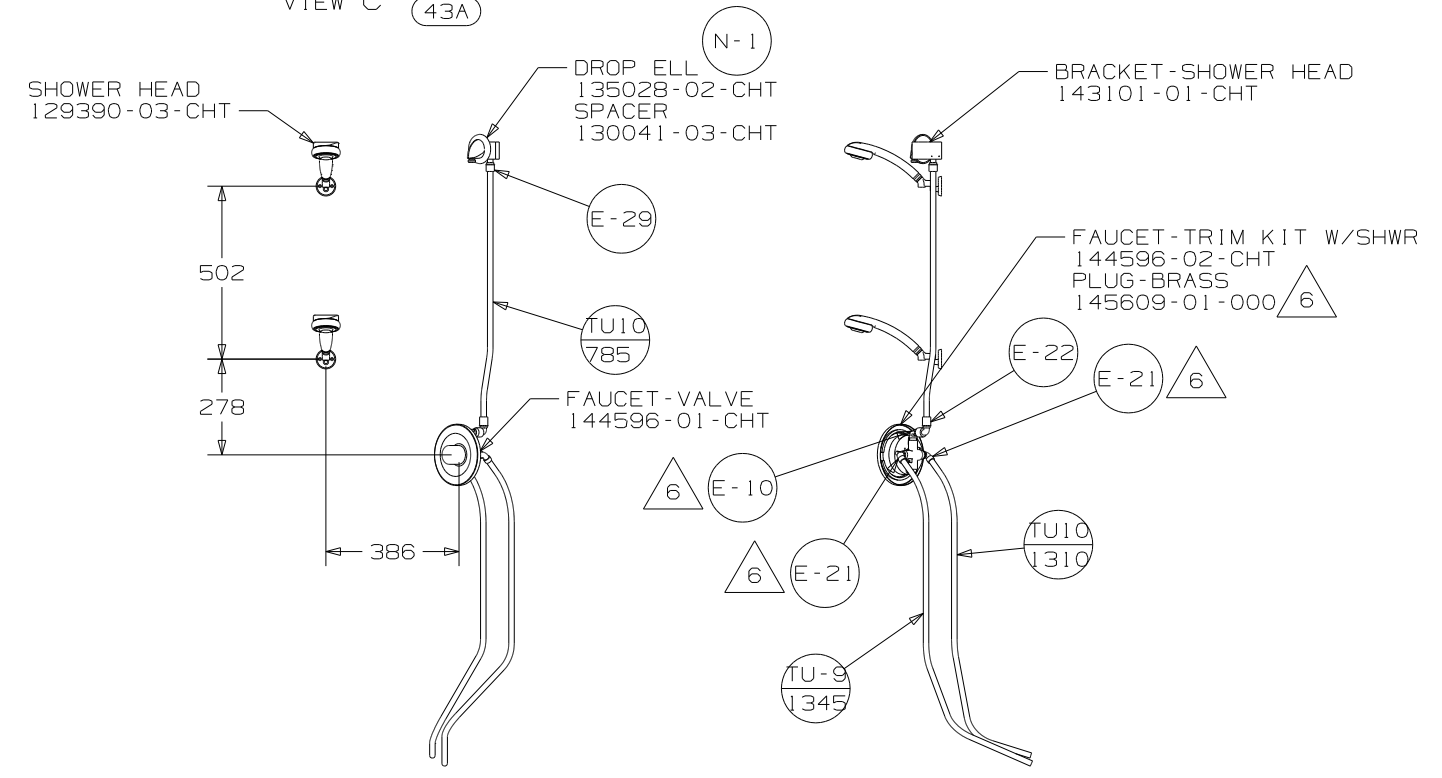
VIEW C (WIN) 43A



VIEW C (ITA) 43A



VIEW C (WIN) 43H



VIEW C (ITA) 43H

FIRST USED	04 P39K
TITLE	DO NOT SCALE DRAWING
SHEET 7	PART NO 147285