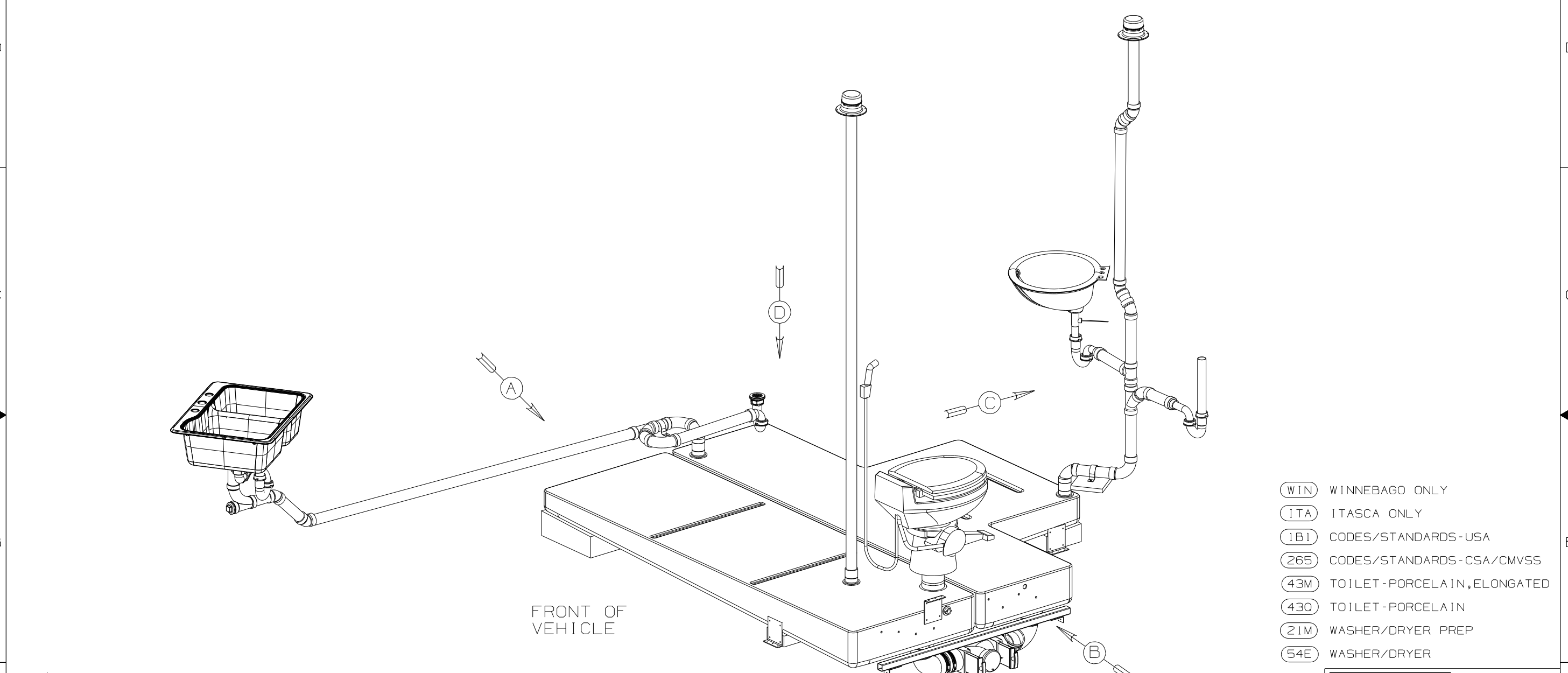


DWG NO	---
145860-01	(WIN)
145860-02	(ITA)

RELEASE	REV DATE	DWG NO
A		145860
REV ZONE	REVISION RECORD	DATE
		DFTR-0R16



- (WIN) WINNEBAGO ONLY
- (ITA) ITASCA ONLY
- (IB1) CODES/STANDARDS-USA
- (265) CODES/STANDARDS-CSA/CMVSS
- (43M) TOILET-PORCELAIN, ELONGATED
- (43O) TOILET-PORCELAIN
- (21M) WASHER/DRYER PREP
- (54E) WASHER/DRYER

- △ (B) FASTEN TO BOTTOM OF UPPER FLOOR.
- △ (7) VENT PIPE MUST PROJECT 51 MIN AND 63.5 MAX ABOVE ROOF FOR PROPER FIT AND FUNCTION.

6. SEE DWG 61607-01-000 FOR INSTL OF GROMMETS
5. SEAL AROUND SHOWER WITH SILICONE.
4. ALL EXTERIOR OPENINGS AROUND PIPE TO BE SEALED WITH 110744-01-000.
3. ALL PIPE AND FITTINGS TO BE ASSEMBLED WITH SOLVENT 4020-01-000.
2. SLOPE OF TRAP ARM MUST BE 6 PER 305 MM.
1. SLOPE OF HORIZONTAL PIPING TO BE 6 PER 305 MM.

NOTES:

(X-X)  
FOR DRAINAGE CALLOUTS  
SEE DWG NO 116229-01-000

<b>WINNEBAGO</b>		COPYRIGHT 2004 WINNEBAGO INDUSTRIES, INC.	
DFTR	ORIG. DATE	ALL DIMENSIONS ARE IN MILLIMETERS	
CHKR		FIRST USED	
P.E.		04 P36G	
M.E.		UNSPECIFIED TOLERANCES ARE:	
DSNR		MATERIAL:	
		WHOLE DIM (X)	: 7
		ONE-PLACE (X.X)	:
		TWO-PLACE (X.XX)	:
		ANGLE	:
THIRD ANGLE PROJECTION		DO NOT SCALE DRAWING	
		TITLE: DRAINAGE SYSTEM INSTL	
SHEET 1 OF 3		PART NO 145860	
REF: 142754 1 2/12/2004			

WIN WIN WIN  
1B1 265 1B1  
A-8 P-3 P-2

DETAIL D

SHOWER INSTL  
131620-07-000 (WIN)  
STRAINER  
66440-01-000  
SEALER  
69640-01-000  
NUT  
130403-01-000  
TAILPIECE  
11069-06-000  
WASHER  
127440-02-CHT

STRAP-CONDUIT 2"  
8406-01-000

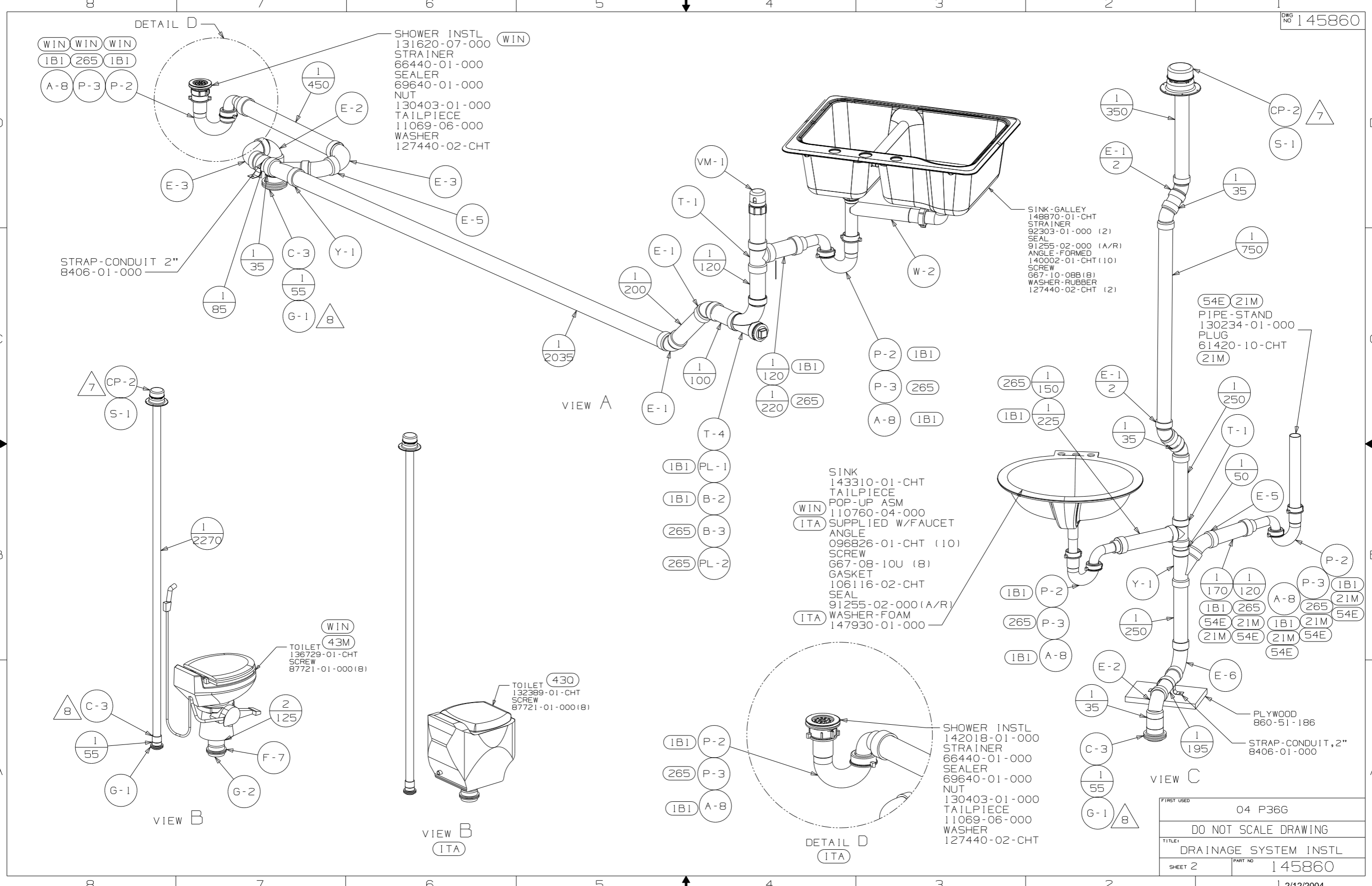
SINK-GALLEY  
148870-01-CHT  
STRAINER  
92303-01-000 (2)  
SEAL  
91255-02-000 (A/R)  
ANGLE-FORMED  
140002-01-CHT (10)  
SCREW  
667-10-088 (8)  
WASHER-RUBBER  
127440-02-CHT (2)

54E 21M  
PIPE-STAND  
130234-01-000  
PLUG  
61420-10-CHT  
(21M)

SINK  
143310-01-CHT  
TAILPIECE  
POP-UP ASM  
110760-04-000  
SUPPLIED W/FAUCET  
ANGLE  
096826-01-CHT (10)  
SCREW  
667-08-10U (8)  
GASKET  
106116-02-CHT  
SEAL  
91255-02-000 (A/R)  
WASHER-FOAM  
147930-01-000

SHOWER INSTL  
142018-01-000  
STRAINER  
66440-01-000  
SEALER  
69640-01-000  
NUT  
130403-01-000  
TAILPIECE  
11069-06-000  
WASHER  
127440-02-CHT

FIRST USED	04 P36G
DO NOT SCALE DRAWING	
TITLE: DRAINAGE SYSTEM INSTL	
SHEET 2	PART NO 145860



VIEW A

VIEW B

VIEW B  
(ITA)

VIEW C

DETAIL D  
(ITA)

(WIN) 43M

TOILET  
136729-01-CHT  
SCREW  
87721-01-000 (8)

(430)

TOILET  
132389-01-CHT  
SCREW  
87721-01-000 (8)

(ITA)

(ITA)

FIRST USED

04 P36G

DO NOT SCALE DRAWING

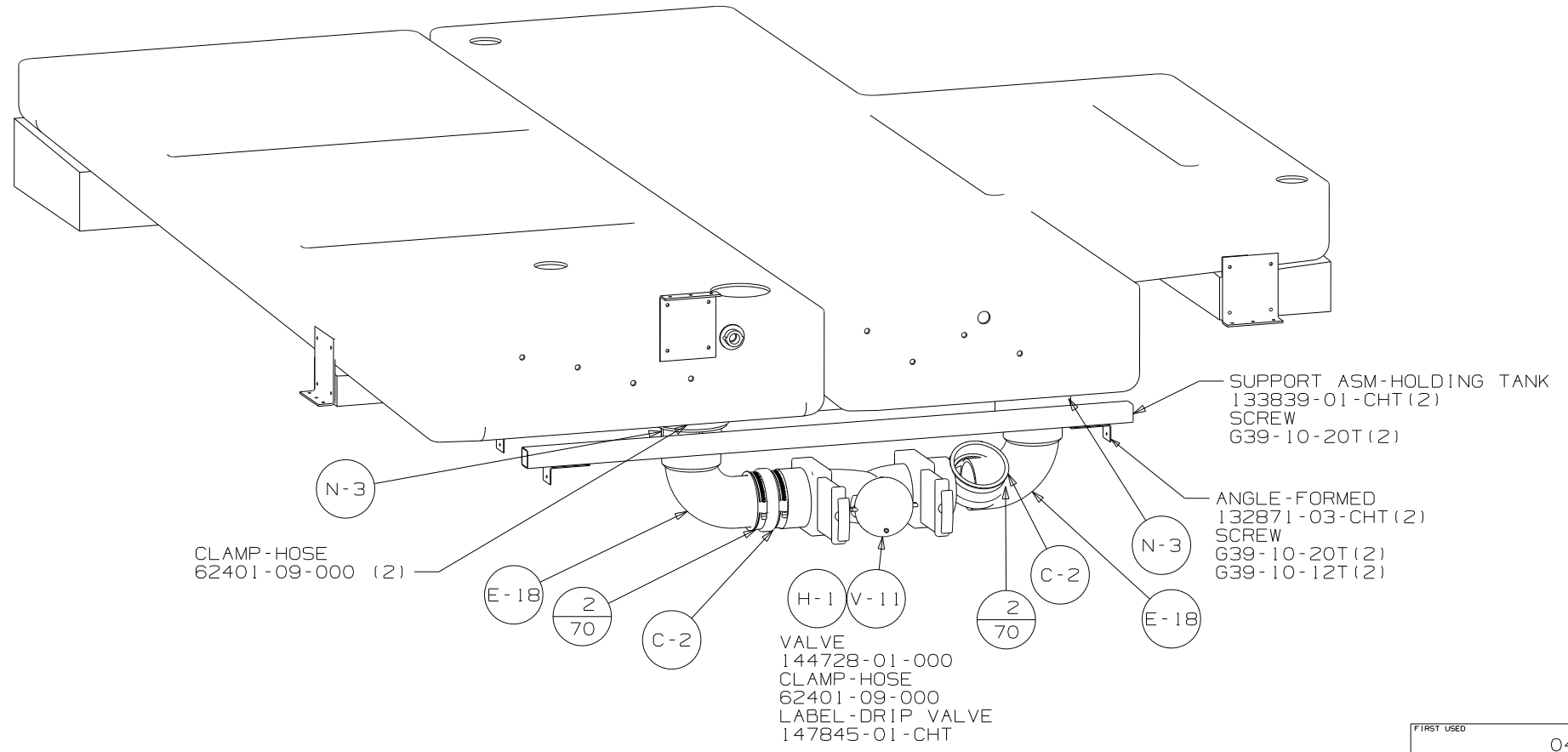
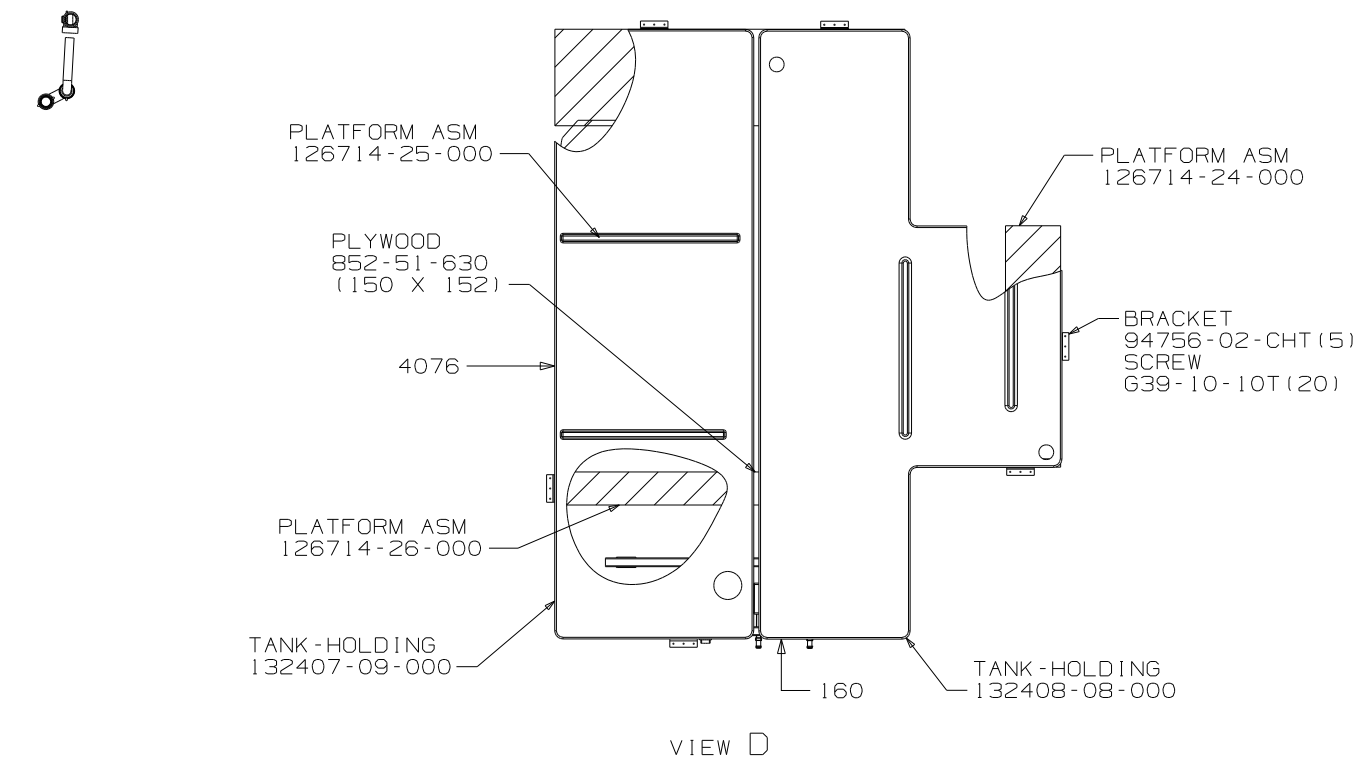
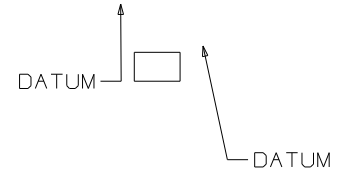
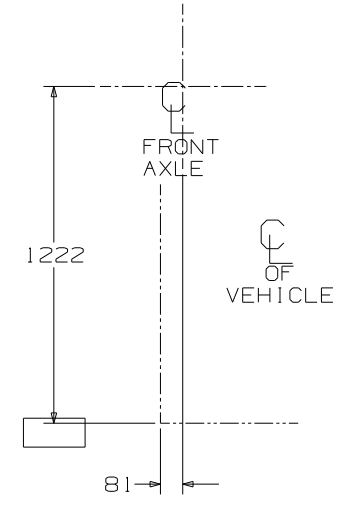
TITLE:

DRAINAGE SYSTEM INSTL

SHEET 2

PART NO

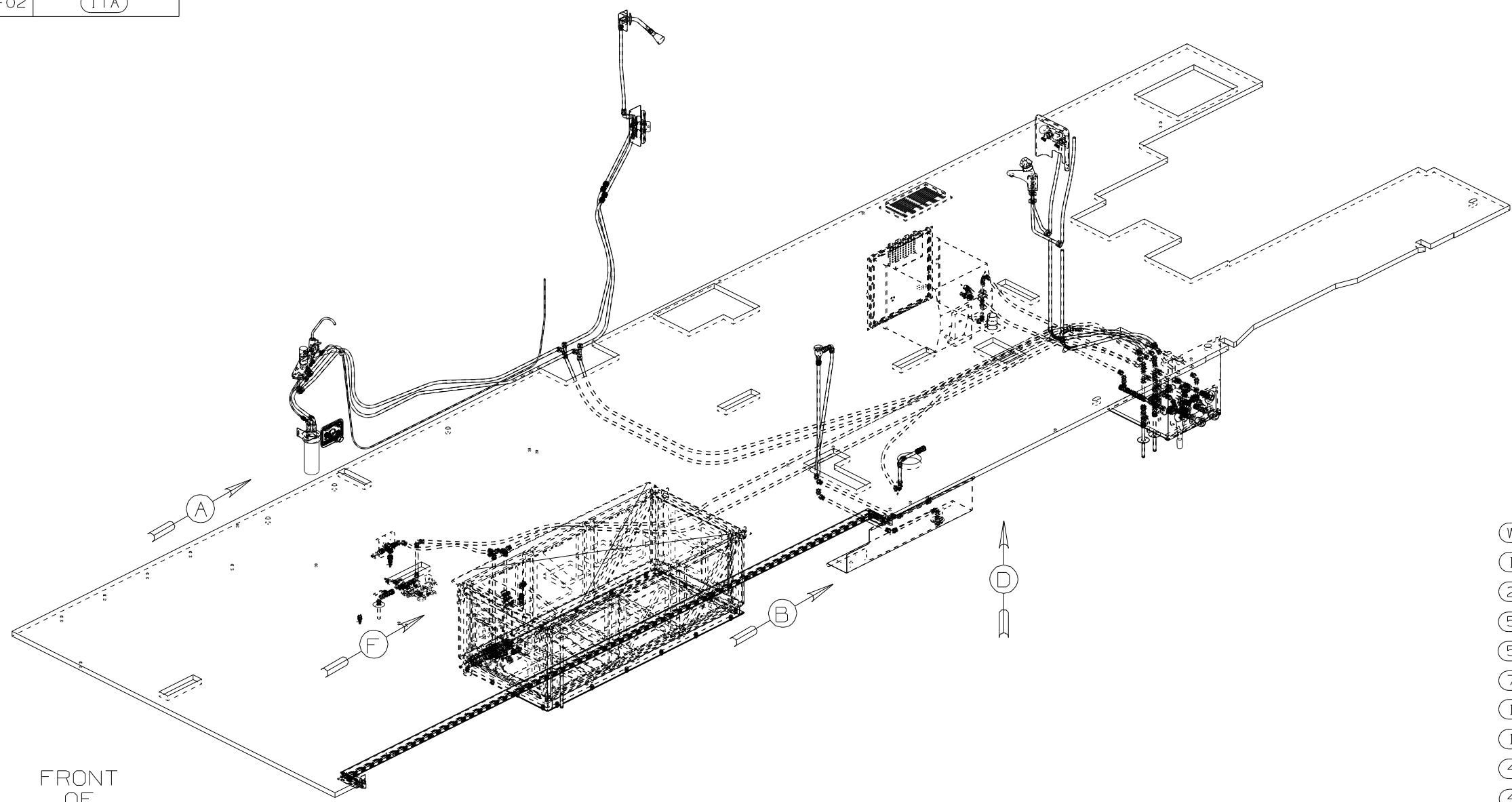
145860



FIRST USED	04 P36G
DO NOT SCALE DRAWING	
TITLE	DRAINAGE SYSTEM INSTL
SHEET 3	PART NO 145860

DWG NO	---
145859-01	(WIN)
145859-02	(ITA)

RELEASE	REV DATE	DWG NO
A		145859
REV ZONE	REVISION RECORD	DATE DFR-ORIG



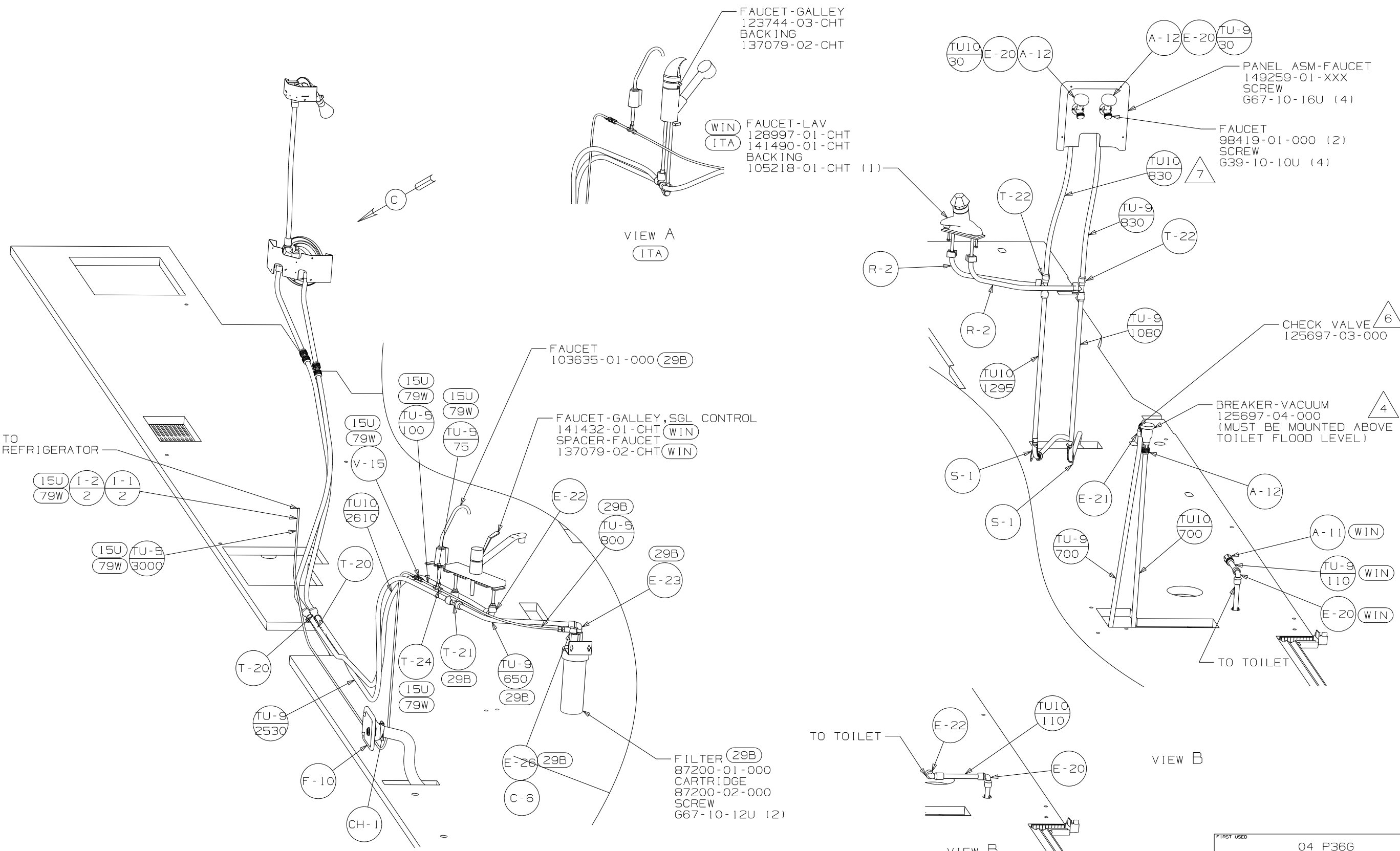
FRONT  
OF  
COACH

- (WIN) WINNEBAGO ONLY
- (ITA) ITASCA ONLY
- (21M) WASHER/DRYER
- (54E) WASHER/DRYER PREP
- (53E) WATER SYS WINTERIZATION PKG
- (79W) REFRIGERATOR-4 DOOR
- (15U) REFRIGERATOR/FRZR W/ICEMAKER
- (144) REFRIGERATOR-DOUBLE DOOR
- (43A) SHOWER HEAD FIXED
- (43H) SHOWER HEAD-HAND HELD
- (9B1) SHOWER PACKAGE
- (29B) WATER PURIFIER

- NOTES:
1. PLASTIC FITTINGS TO BE SEALED WITH SEALANT 84456-01-000.
  2. TUBING TO BE INSTALLED WITH SUFFICIENT SLOPE TO PROVIDE DRAINAGE TO NEAREST VALVE.
  3. ALL TUBING TO BE SECURED AT 1200 INTERVALS MAXIMUM WITH CLAMP 10495-01-000 OR CLIP 9151-01-000 AND SCREW G67-10-12B.
  4. FLUSHING SYSTEM REQUIRES 125697-06-000 INSTRUCTION SHEET.
  5. ADD TEFLON TAPE 10405-02-000 TO FITTING.
  6. ADD TEFLON TAPE 10405-03-000 TO FITTING.
  7. ADD TEFLON TAPE 10405-01-000 TO FITTING.

(X-X)  
FOR  
WATER  
CALLOUTS  
SEE DWG NO.  
116230-01-000

<b>WINNEBAGO</b>		COPYRIGHT 2004 WINNEBAGO INDUSTRIES, INC.	
DFTR	ORIG. DATE	ALL DIMENSIONS ARE IN MILLIMETERS	
CHKR		FIRST USED	
P.E.		04 P36G	
M.E.		UNSPECIFIED TOLERANCES ARE:	
DSNR		MATERIAL:	
		WHOLE DIM (X) :	7
		ONE-PLACE (X.X) :	
		TWO-PLACE (X.XX) :	
		ANGLE :	
THIRD ANGLE PROJECTION		DO NOT SCALE DRAWING	
TITLE: WATER SYSTEM INSTL			
SHEET 1 OF 5		PART NO 145859	

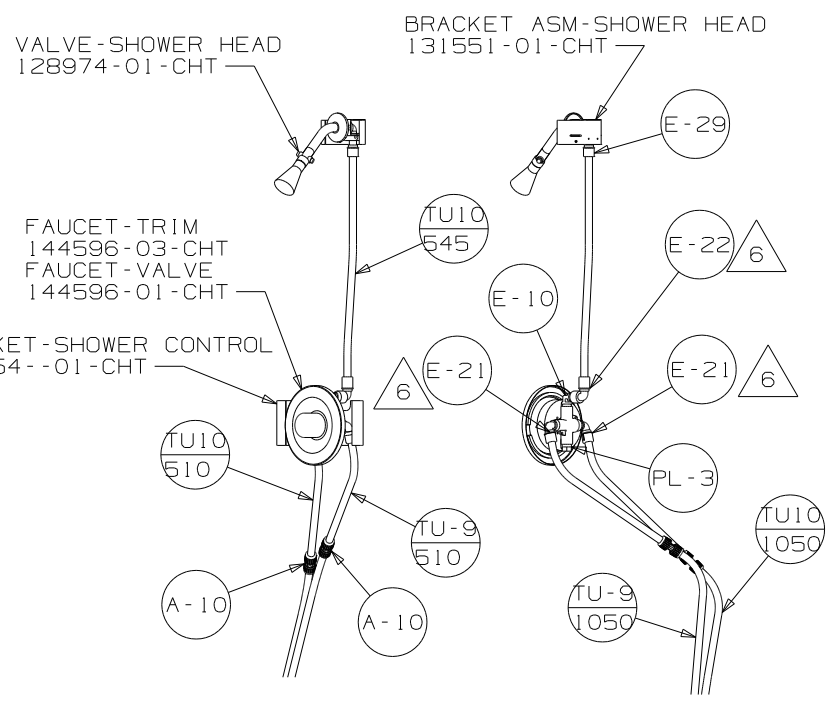


VIEW A  
(ITA)

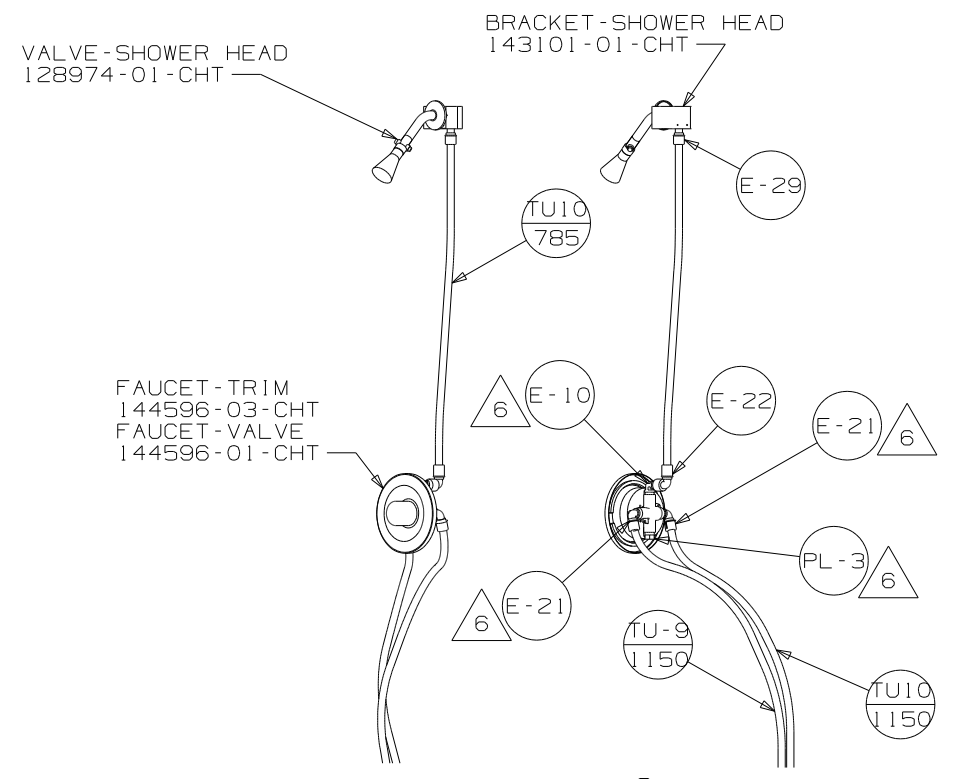
VIEW B

VIEW B  
(ITA)

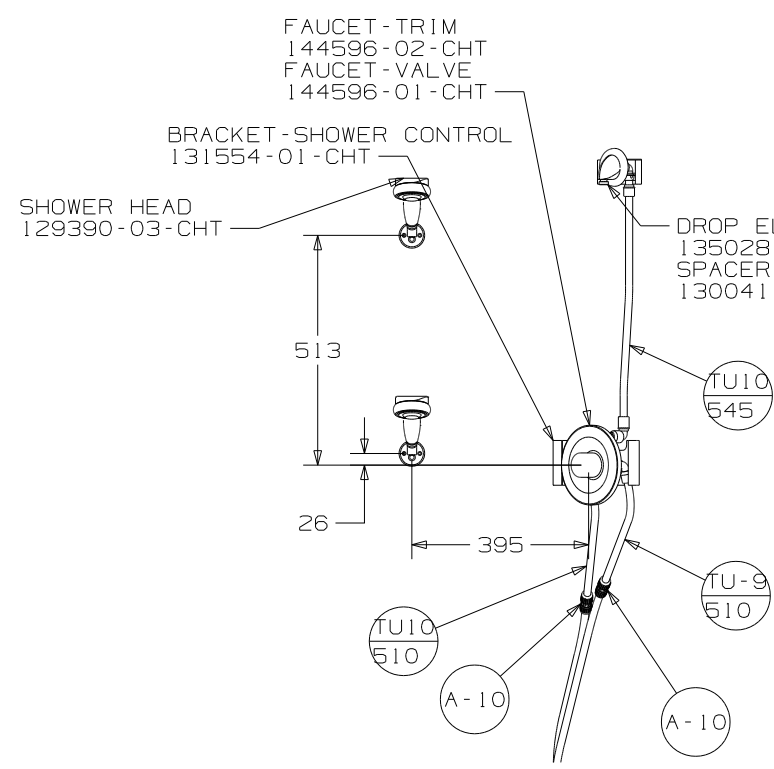
FIRST USED	04 P36G
TITLE	DO NOT SCALE DRAWING
TITLE	WATER SYSTEM INSTL
SHEET 2	PART NO 145859



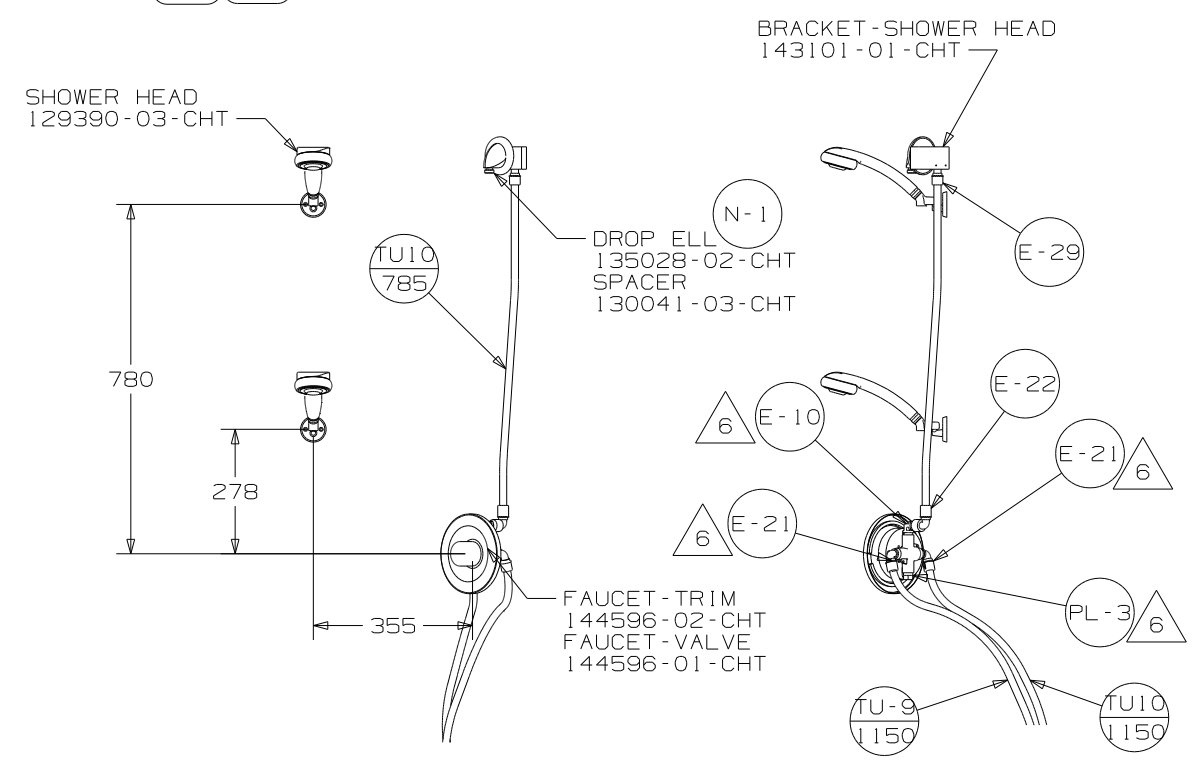
VIEW C  
WIN 43A



VIEW C  
ITA 43A

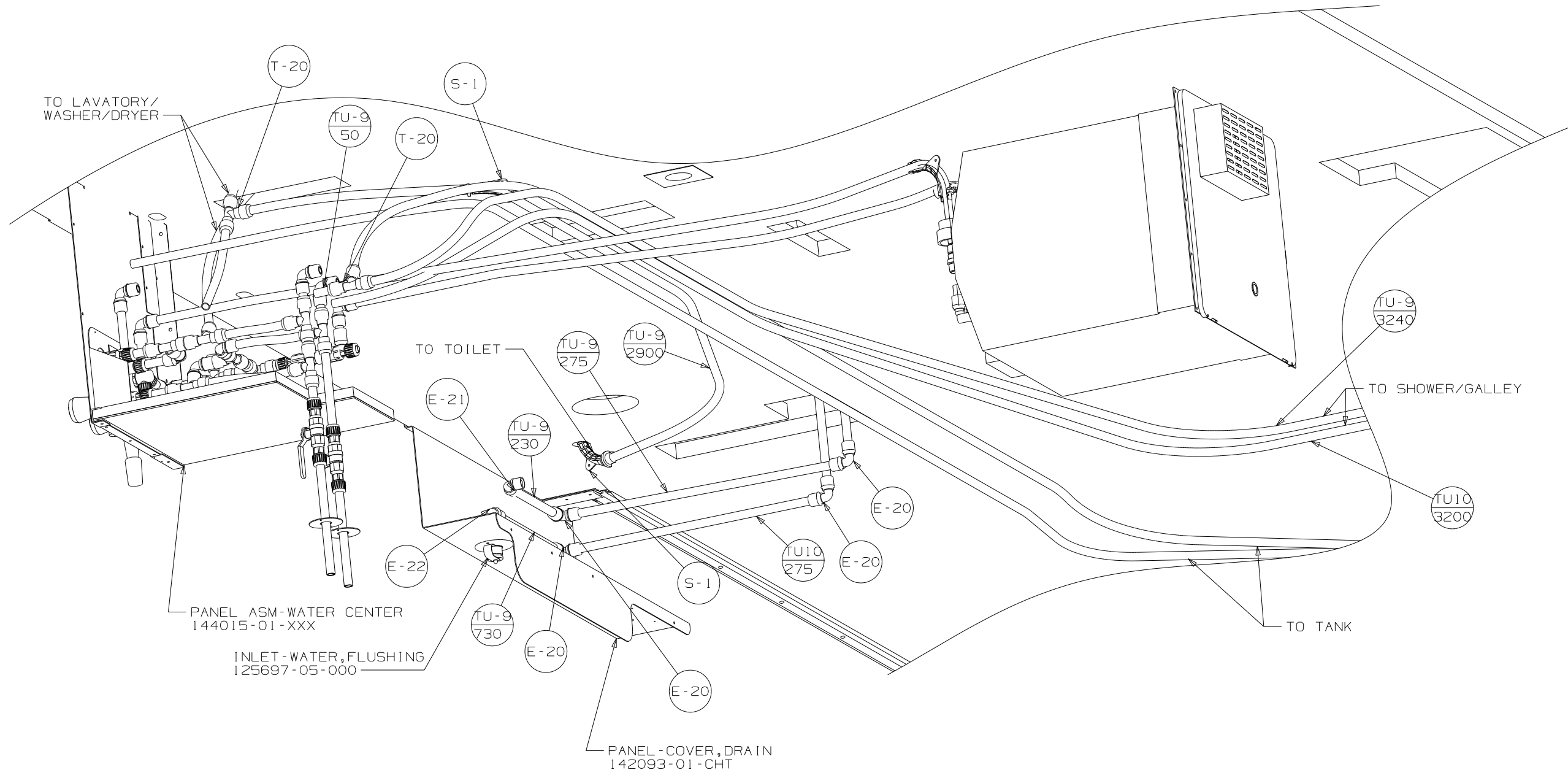


VIEW C  
WIN 43H



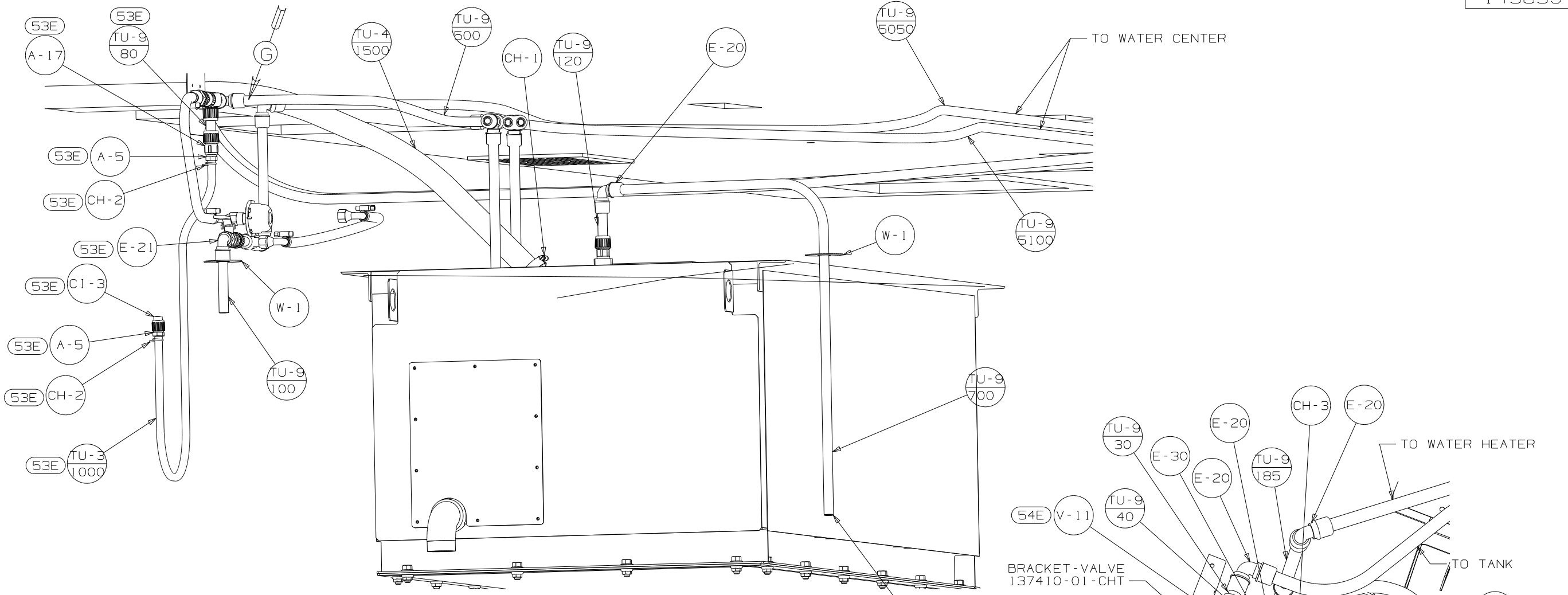
VIEW C  
ITA 43H

FIRST USED	04 P36G
TITLE	DO NOT SCALE DRAWING
SHEET 3	PART NO 145859

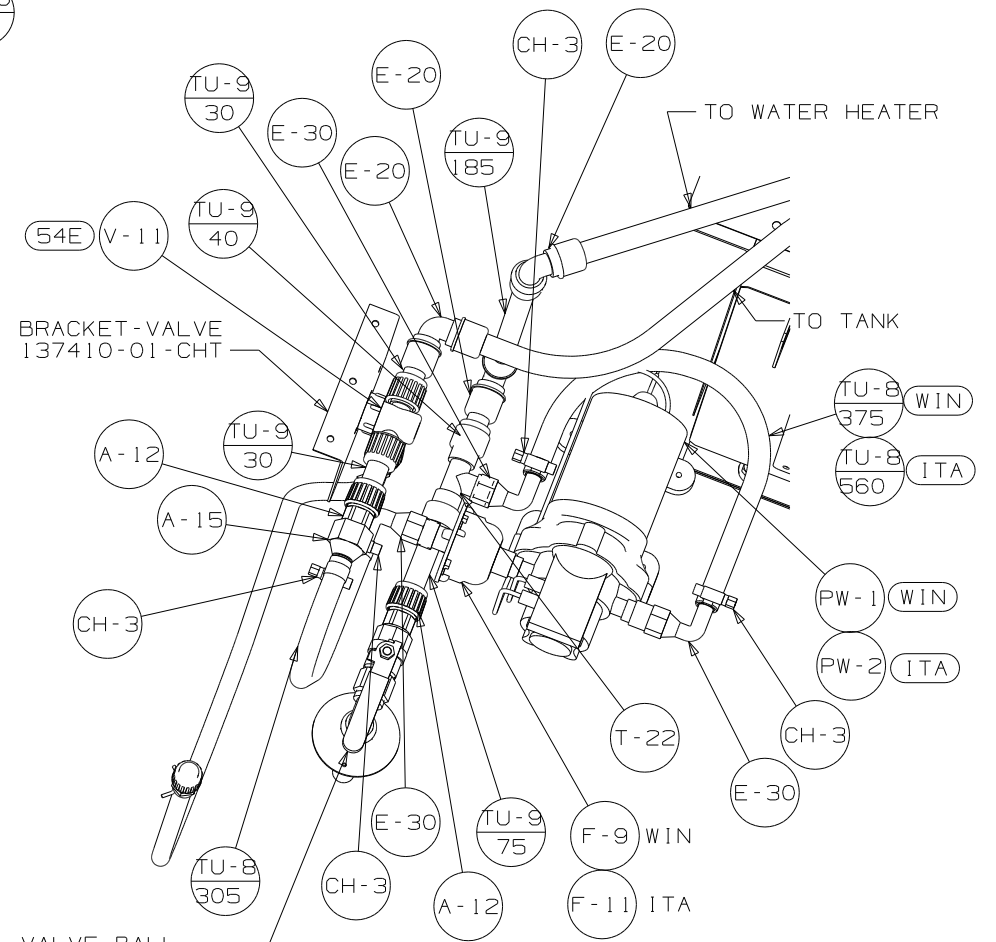


VIEW D  
TANK REMOVED

FIRST USED	04 P36G
TITLE	DO NOT SCALE DRAWING
SHEET 4	PART NO 145859
1 3/2/2004	



VIEW F



VIEW G

BRACKET-VALVE  
137410-01-CHT

VALVE-BALL  
132483-02-000

FIRST USED	04 P36G
TITLE	DO NOT SCALE DRAWING
TITLE	WATER SYSTEM INSTL
SHEET 5	PART NO 145859