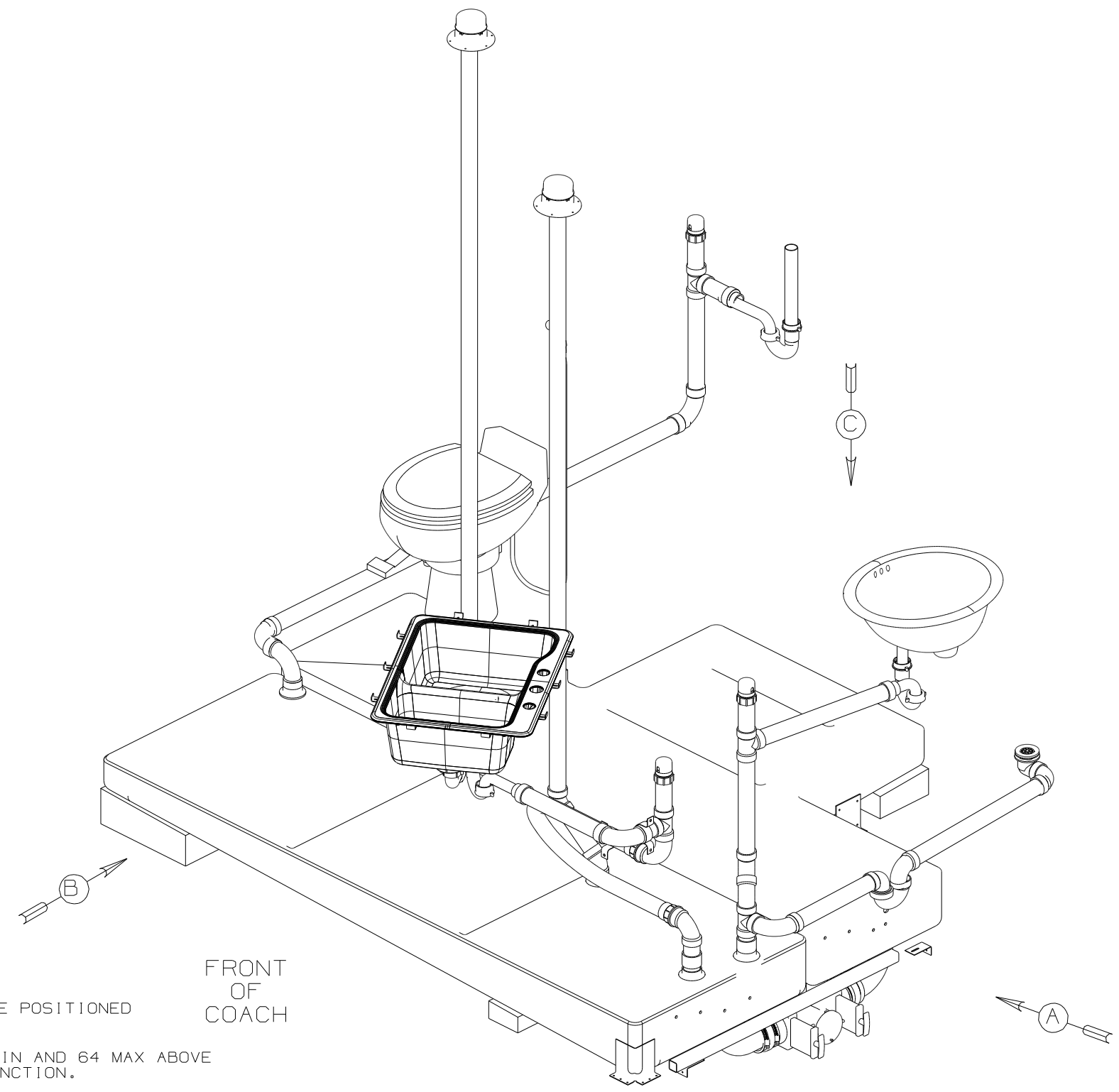


DWG NO	----
143985-01	(WIN)
143985-02	(ITA)

RELEASE	REV DATE	DWG NO	143985
REV ZONE	REVISION RECORD	DATE	DFT-ORIG



FRONT OF COACH

- NOTES:
7. VALVE TERMINATION TEE TO BE POSITIONED AT 10° DOWN AND OUTBOARD.
 6. VENT PIPE MUST PROJECT 51 MIN AND 64 MAX ABOVE ROOF FOR PROPER FIT AND FUNCTION.
 5. SEAL AROUND SHOWER WITH SILICONE.
 4. ALL EXTERIOR OPENINGS AROUND PIPE TO BE SEALED WITH 110744-01-000.
 3. ALL PIPE AND FITTINGS TO BE ASSEMBLED WITH SOLVENT 4020-01-000.
 2. SLOPE OF TRAP ARM MUST BE 6 PER 305 mm.
 1. SLOPE OF HORIZONTAL PIPING TO BE 6 PER 305 mm.

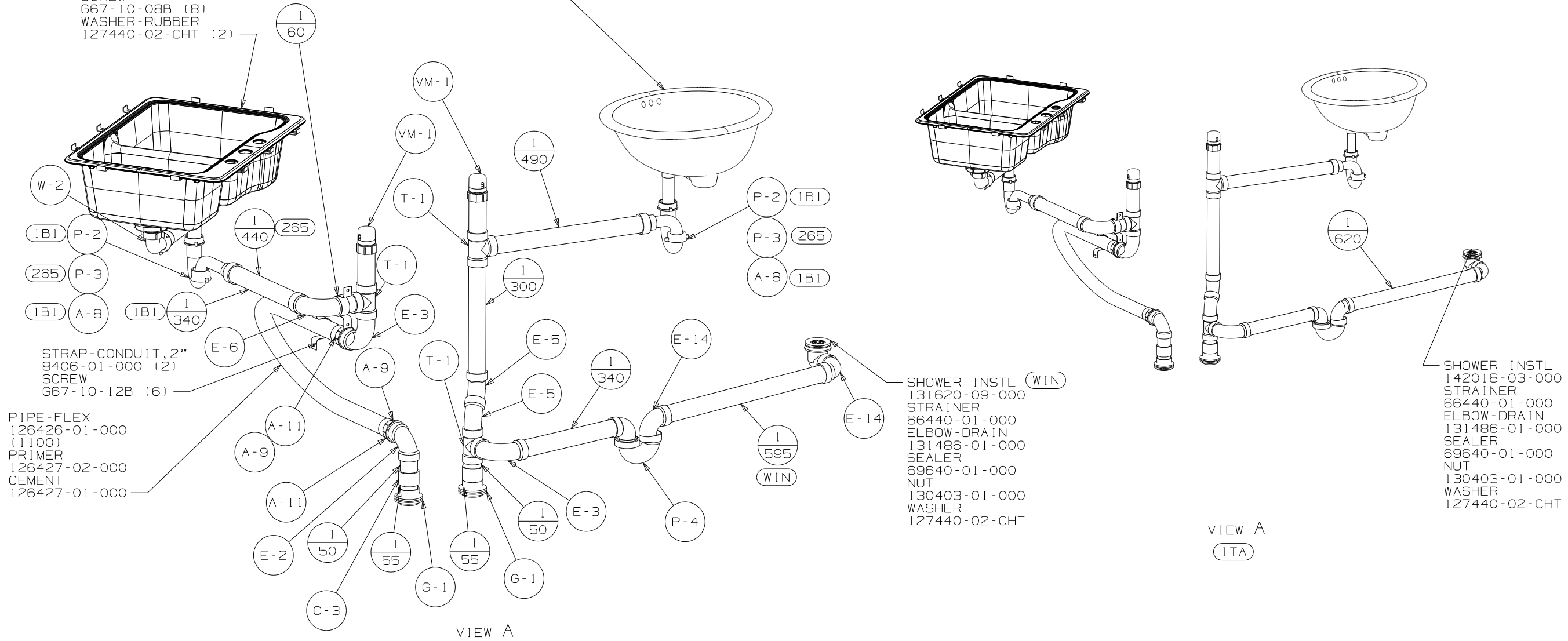
- (WIN) WINNEBAGO ONLY
- (ITA) ITASCA ONLY
- (IBI) CODES/STANDARDS USA
- (265) CODES/STANDARDS-CSA/CMVSS
- (54E) WASHER/DRYER
- (2IM) WASHER/DRYER PREP
- (430) TOILET-PORCLAIN
- (43M) TOILET PORCELAIN-ELONGATED

WINNEBAGO		COPYRIGHT 2004 WINNEBAGO INDUSTRIES, INC.	
DFT	ORIG. DATE	ALL DIMENSIONS ARE IN MILLIMETERS	
CHKR		FIRST USED	
P.E.		04 P34H	
M.E.		UNSPECIFIED TOLERANCES ARE:	
DSNR		MATERIAL:	
		WHOLE DIM (X)	: 7
		ONE-PLACE (X.X)	:
		TWO-PLACE (X.XX)	:
		ANGLE	:
		THIRD ANGLE PROJECTION	
DO NOT SCALE DRAWING			
TITLE: DRAINAGE SYSTEM INSTL			
SHEET 1 OF 4		PART NO 143985	

(X-X)
FOR
DRAINAGE
CALLOUTS
SEE DWG NO
116229-01-000

SINK-GALLEY
 148870-01-CHT
 STRAINER
 92303-01-000 (2)
 ANGLE-FORMED
 140002-01-CHT (10)
 SCREW
 G67-10-08B (8)
 WASHER-RUBBER
 127440-02-CHT (2)

SINK
 143310-01-CHT
 TAILPIECE
 POP-UP ASM
 110760-04-000
 SUPPLIED W/FAUCET
 ANGLE
 096826-01-CHT (10)
 SCREW
 G67-08-10U (8)
 SEAL
 91255-02-000 (A/R)
 WASHER-FOAM
 147930-01-000



STRAP-CONDUIT, 2"
 8406-01-000 (2)
 SCREW
 G67-10-12B (6)

PIPE-FLEX
 126426-01-000
 (1100)
 PRIMER
 126427-02-000
 CEMENT
 126427-01-000

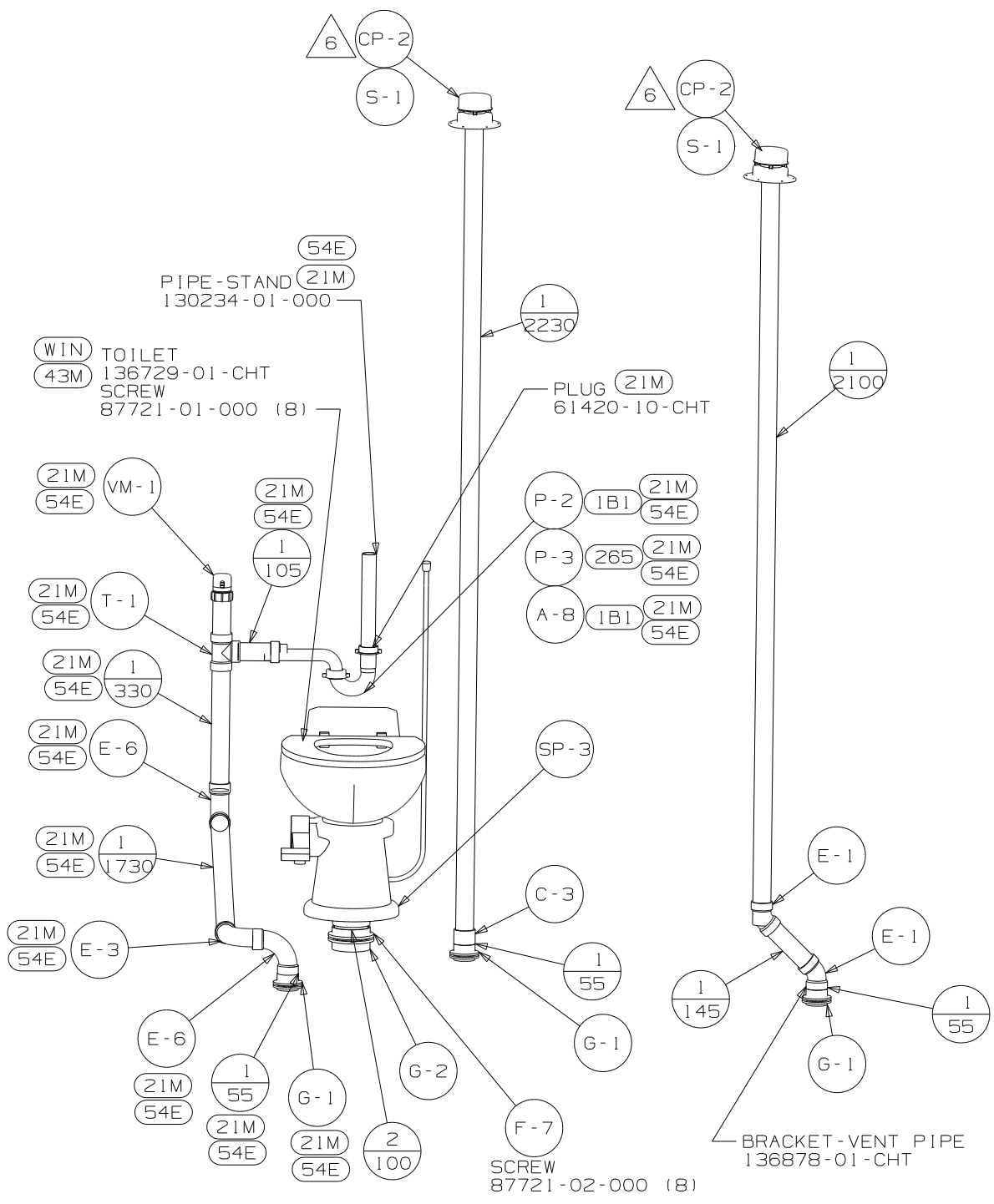
SHOWER INSTL (WIN)
 131620-09-000
 STRAINER
 66440-01-000
 ELBOW-DRAIN
 131486-01-000
 SEALER
 69640-01-000
 NUT
 130403-01-000
 WASHER
 127440-02-CHT

SHOWER INSTL
 142018-03-000
 STRAINER
 66440-01-000
 ELBOW-DRAIN
 131486-01-000
 SEALER
 69640-01-000
 NUT
 130403-01-000
 WASHER
 127440-02-CHT

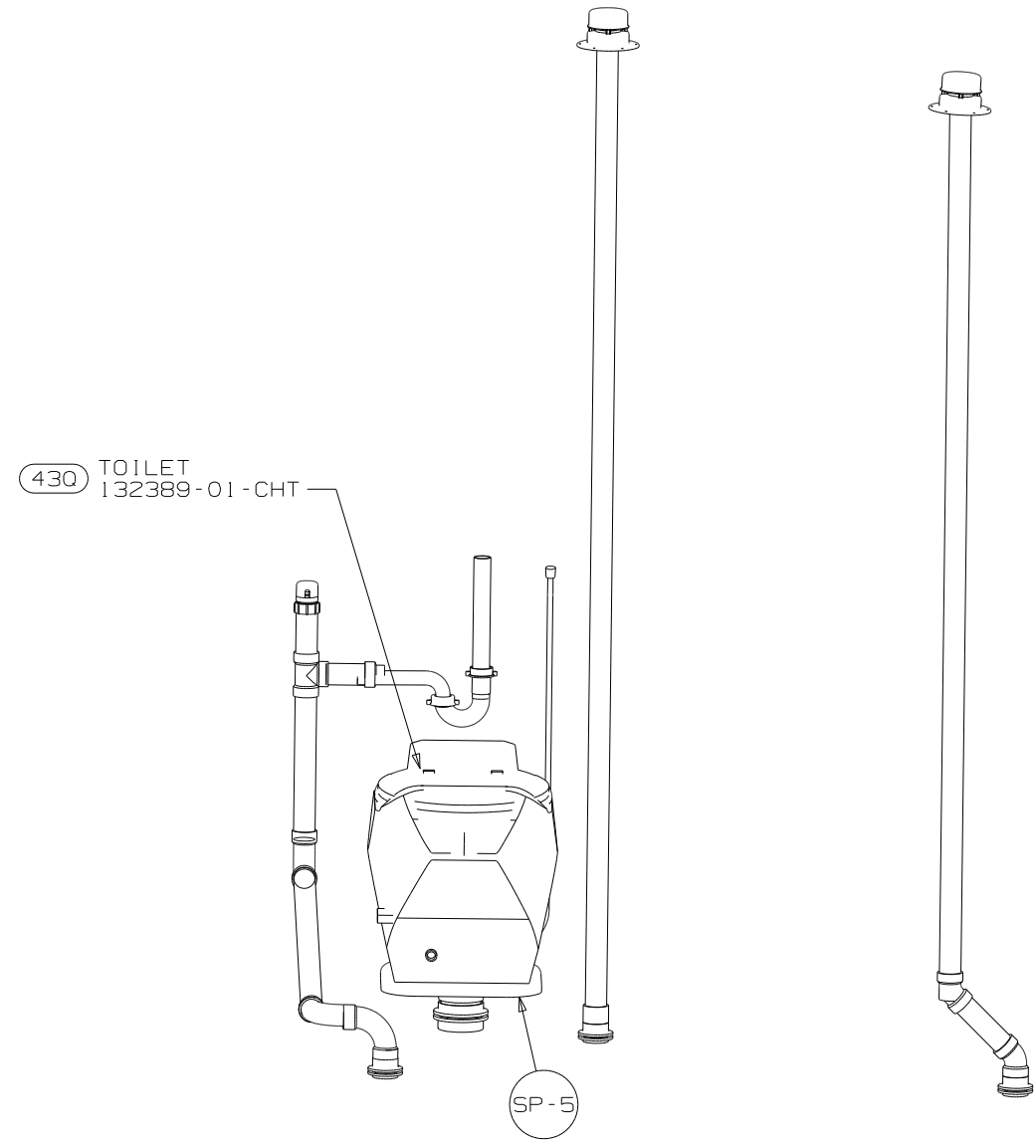
VIEW A

VIEW A
(ITA)

FIRST USED	04 P34H
TITLE	DO NOT SCALE DRAWING
SHEET 2	PART NO 143985
1 2/27/2004	

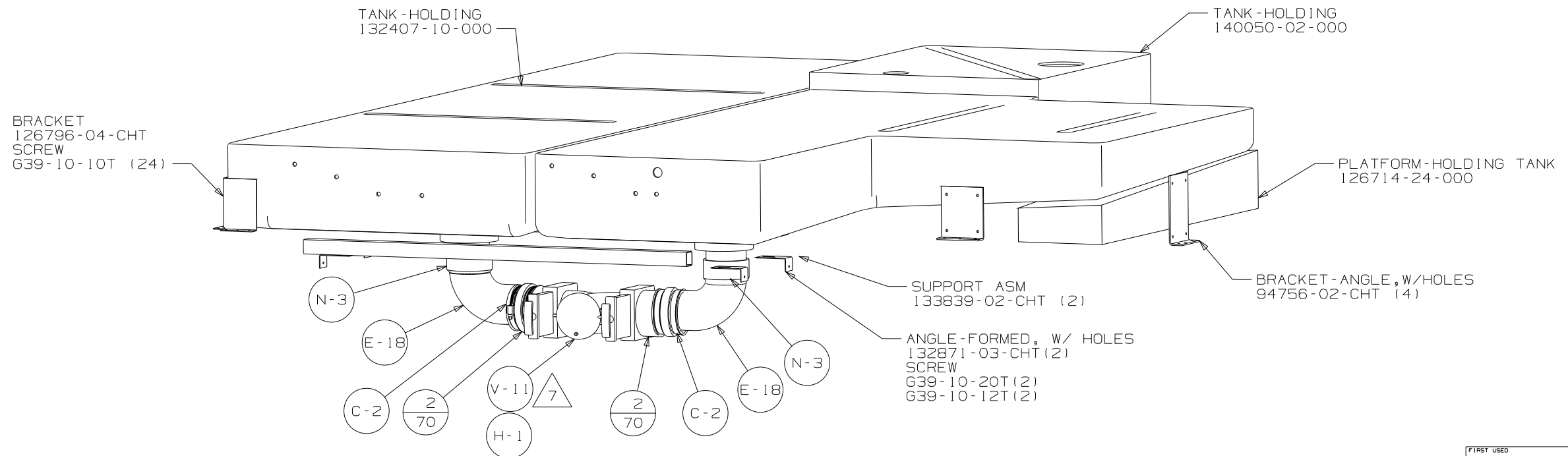
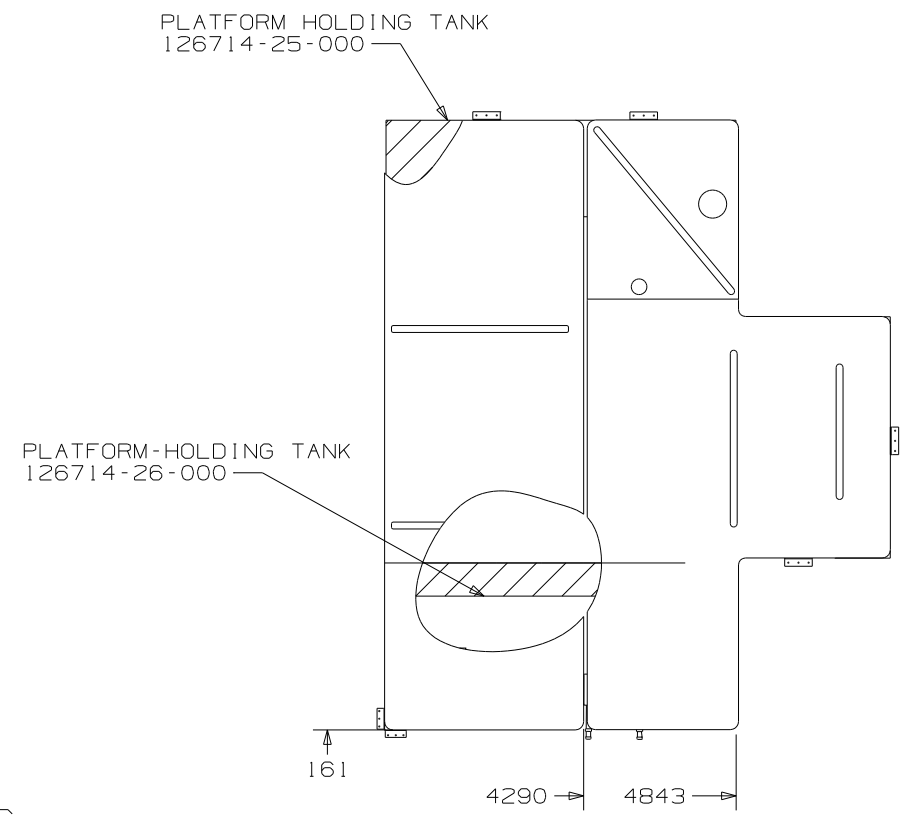
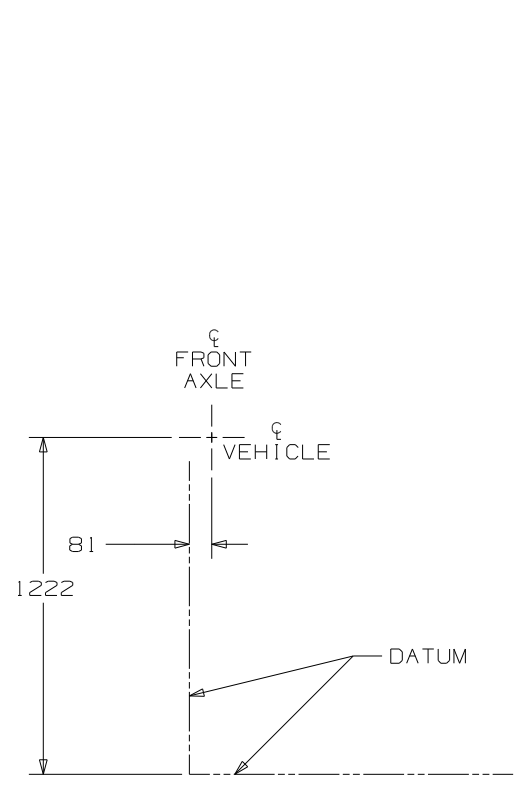


VIEW B



VIEW B
ITA

FIRST USED	04 P34H
TITLE	DO NOT SCALE DRAWING
SHEET 3	DRAINAGE SYSTEM INSTL
PART NO	143985

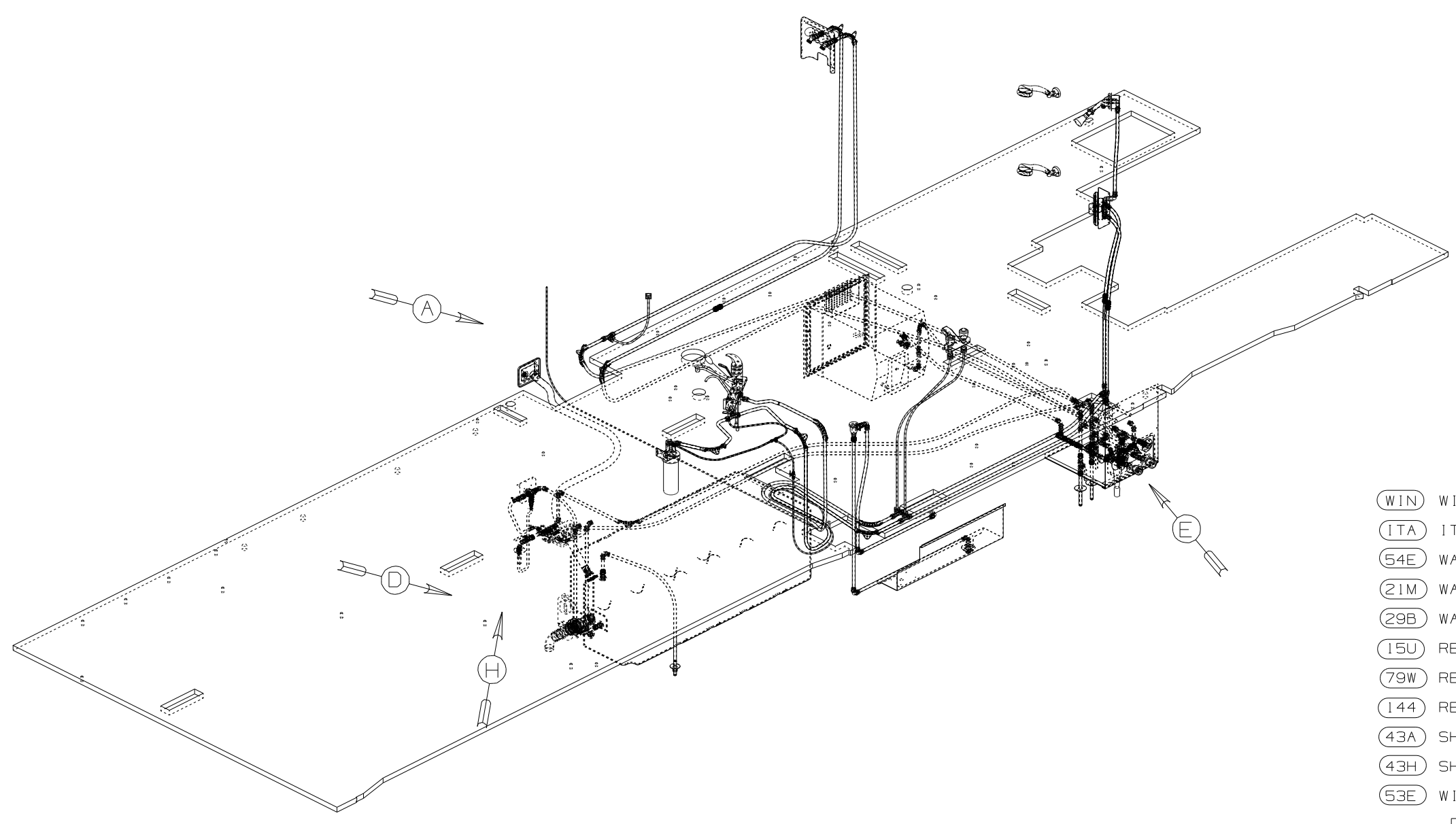


- VIEW D
- VALVE - SEWER HOSE
144728-01-000
 - CLAMP - HOSE
062401-09-000
 - LABEL - DRIP VALVE
147845-01-CHT

FIRST USED	04 P34H
TITLE	DO NOT SCALE DRAWING
	DRAINAGE SYSTEM INSTL
SHEET 4	PART NO 143985

DWG NO	---
143984-01	(WIN)
143984-02	(ITA)

RELEASE	REV DATE	DWG NO	143984
REV ZONE	REVISION RECORD	DATE	DFTR-ORIG

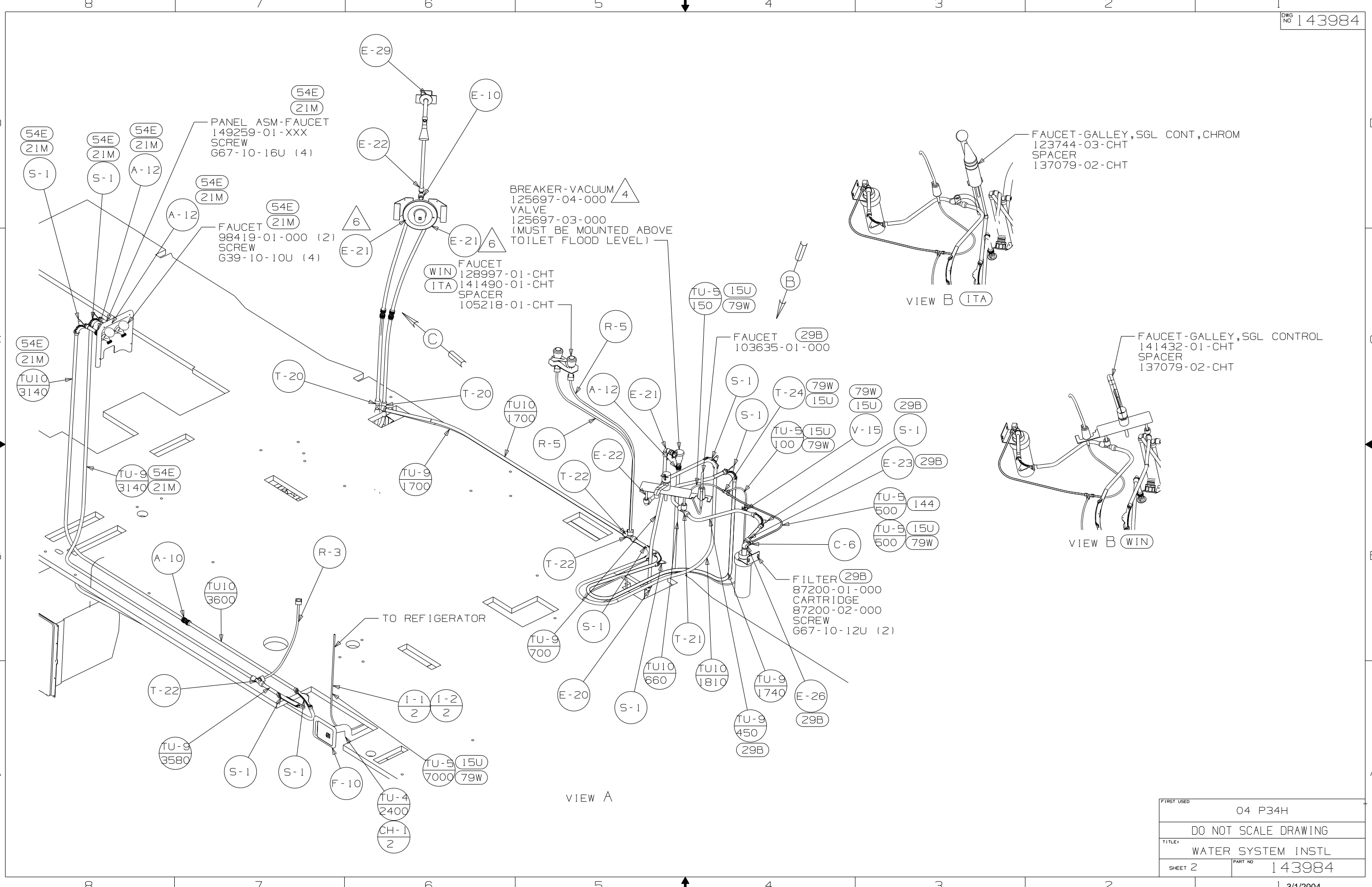


- (WIN) WINNEBAGO ONLY
- (ITA) ITASCA ONLY
- (54E) WASHER/DRYER
- (21M) WASHER/DRYER PREP
- (29B) WATER PURIFIER
- (15U) REFRIGERATOR/FRZR W/ICEMAKER
- (79W) REFRIGERATOR-4 DOOR
- (144) REFRIGERATOR-DOUBLE DOOR
- (43A) SHOWER HEAD-FIXED
- (43H) SHOWER HEAD-HAND HELD
- (53E) WINTERIZATION PACKAGE

- NOTES:
- 6 ADD TEFLON TAPE 10405-01-000.
 - 5 ADD TEFLON TAPE 10405-02-000.
 - 4 FLUSHING SYSTEM REQUIRES 125697-06-000 INSTRUCTION SHEET.
 - 3. ALL TUBING TO BE SECURED AT 1200 INTERVALS MAXIMUM WITH CLAMP 10495-01-000 OR CLIP 9151-01-000 AND SCREW 667-10-12B.
 - 2. TUBING TO BE INSTALLED WITH SUFFICIENT SLOPE TO PROVIDE DRAINAGE TO NEAREST VALVE.
 - 1. PLASTIC FITTINGS TO BE SEALED WITH SEALANT 84456-01-000.

(X-X)
FOR
WATER
CALLOUTS
SEE DWG NO
116230-01-000

WINNEBAGO		COPYRIGHT 2004 WINNEBAGO INDUSTRIES, INC.	
DFTR	ORIG. DATE	ALL DIMENSIONS ARE IN MILLIMETERS	
CHKR			
P.E.			
M.E.	FIRST USED	04 P34H	
DSNR			
UNSPECIFIED TOLERANCES ARE:		MATERIAL:	
WHOLE DIM (X)	: 7		
ONE-PLACE (X.X)	:		
TWO-PLACE (X.XX)	:		
ANGLE	:		
THIRD ANGLE PROJECTION		DO NOT SCALE DRAWING	
TITLE: WATER SYSTEM INSTL			
SHEET 1 OF 5		PART NO 143984	



54E 21M
 54E 21M
 54E 21M
 S-1
 S-1
 A-12
 A-12
 PANEL ASM-FAUCET
 149259-01-XXX
 SCREW
 G67-10-16U (4)
 54E 21M
 FAUCET
 98419-01-000 (2)
 SCREW
 G39-10-10U (4)

BREAKER-VACUUM
 125697-04-000
 VALVE
 125697-03-000
 (MUST BE MOUNTED ABOVE
 TOILET FLOOD LEVEL)

WIN
 ITA
 FAUCET
 128997-01-CHT
 141490-01-CHT
 SPACER
 105218-01-CHT

FAUCET-GALLEY, SGL CONT, CHROM
 123744-03-CHT
 SPACER
 137079-02-CHT

VIEW B ITA

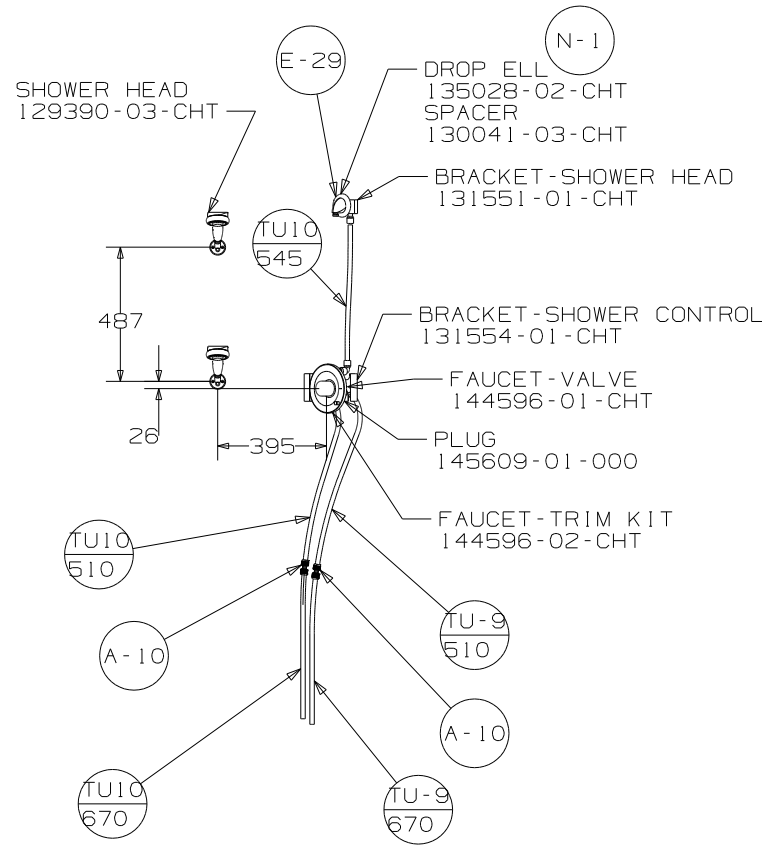
FAUCET-GALLEY, SGL CONTROL
 141432-01-CHT
 SPACER
 137079-02-CHT

VIEW B WIN

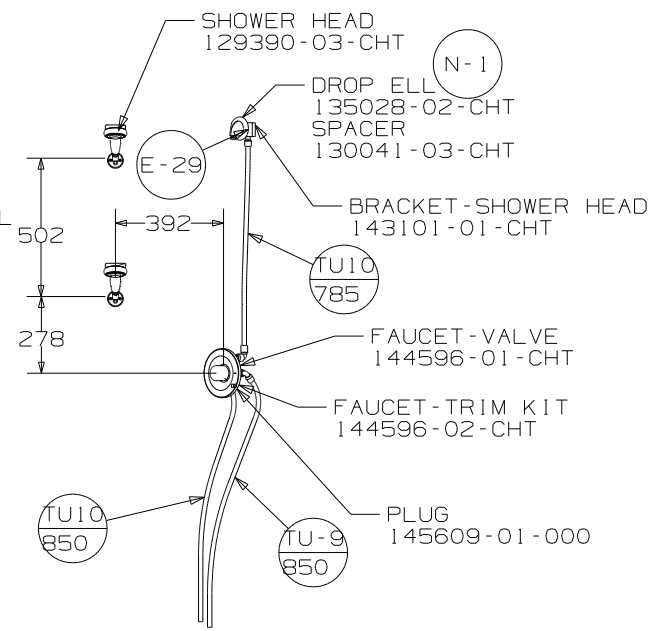
FILTER (29B)
 87200-01-000
 CARTRIDGE
 87200-02-000
 SCREW
 G67-10-12U (2)

VIEW A

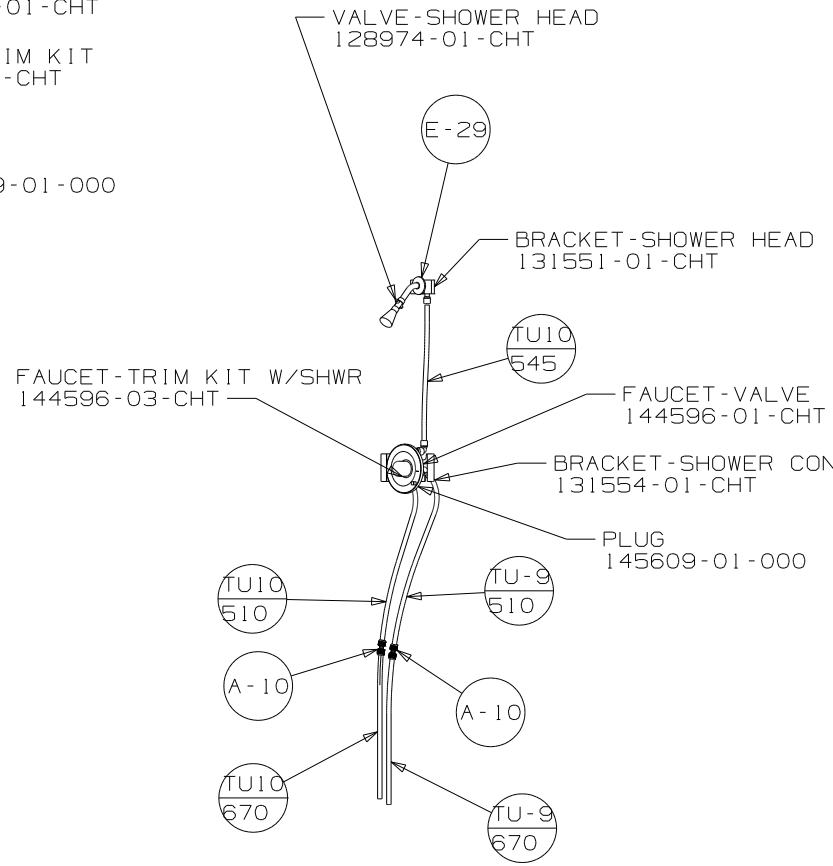
FIRST USED	04 P34H
TITLE	DO NOT SCALE DRAWING
TITLE	WATER SYSTEM INSTL
SHEET 2	PART NO 143984



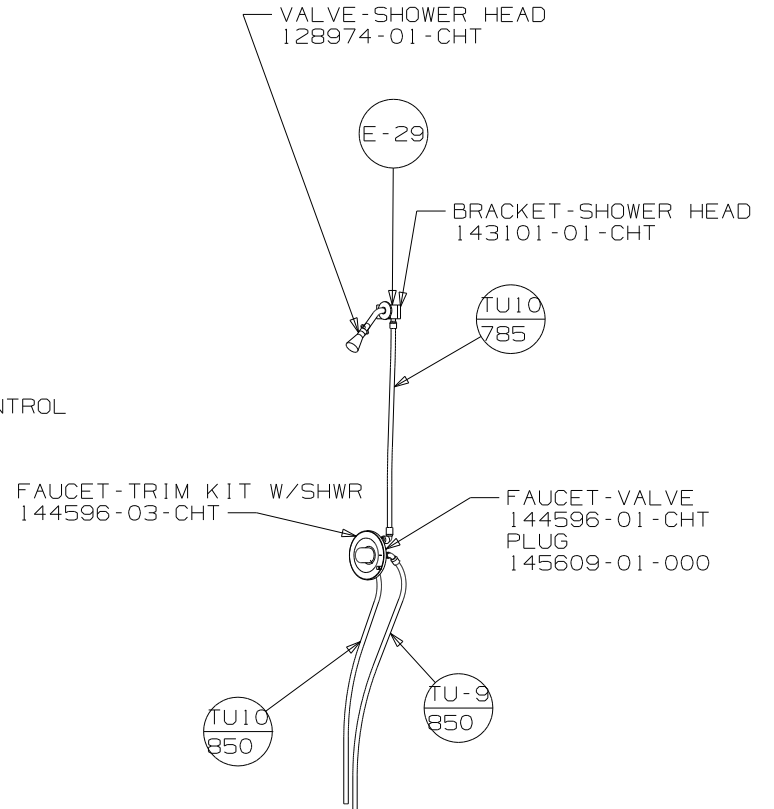
VIEW C
WIN 43H



VIEW C
ITA 43H

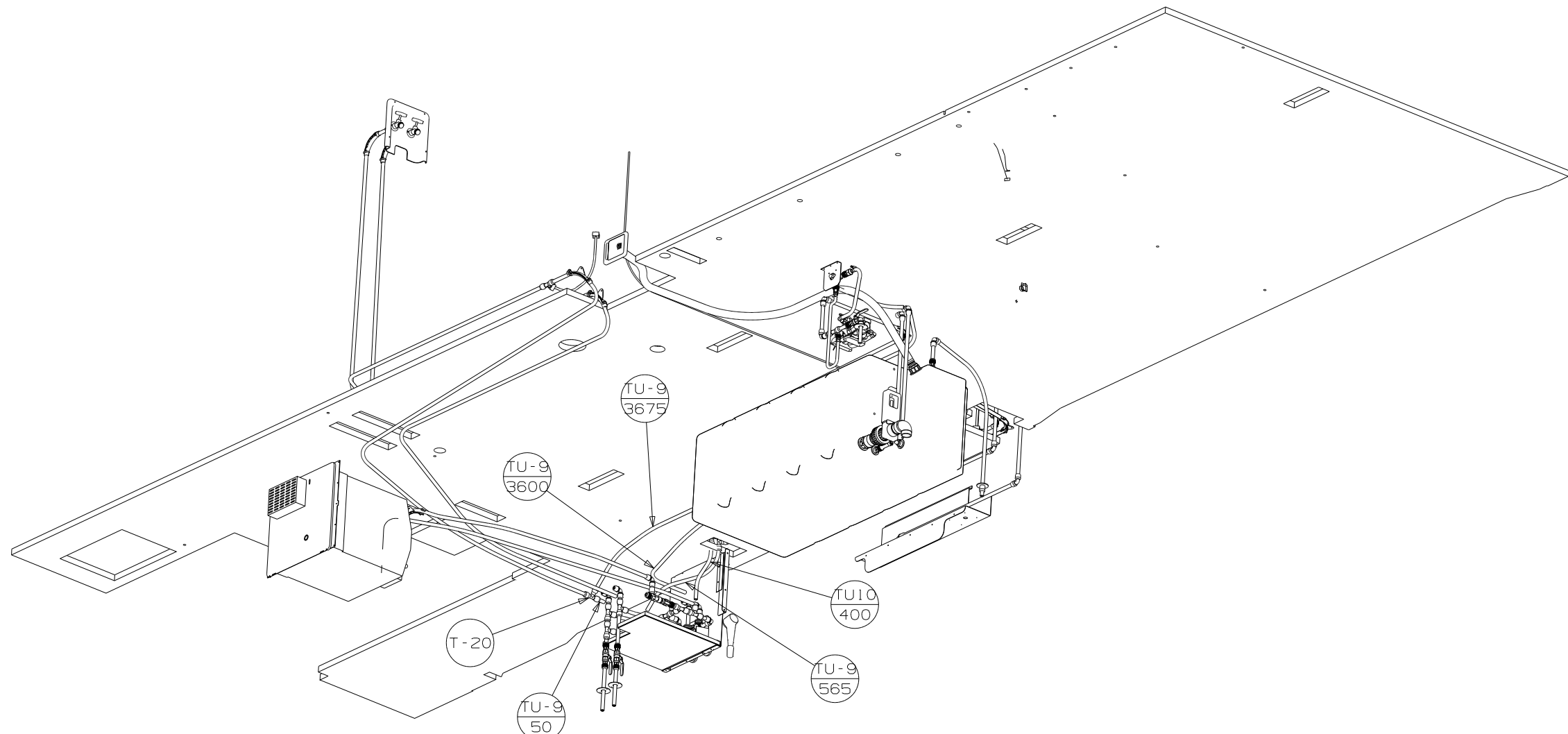


VIEW C
WIN 43A



VIEW C
ITA 43A

FIRST USED	04 P34H
TITLE	DO NOT SCALE DRAWING
SHEET 3	PART NO 143984



VIEW H

FIRST USED	04 P34H
TITLE	DO NOT SCALE DRAWING
SHEET 5	PART NO 143984
	1 3/1/2004